

Compal Confidential

JALC0 Schematics Document

AMD Griffin Processor with RS780M+SB700

(With ATI MXM/B)

2008-9-11

REV: 2.0

Security Classification	Compal Secret Data			Compal Electronics, Inc.		
Issued Date	2007/09/14	Deciphered Date	2008/04/04	Title	SCHEMATICS, M/B S4182	
THIS SHEET OF ENGINEERING DRAWING IS THE PROPRIETARY PROPERTY OF COMPAL ELECTRONICS, INC. AND CONTAINS CONFIDENTIAL AND TRADE SECRET INFORMATION. THIS SHEET MAY NOT BE TRANSFERRED FROM THE CUSTODY OF THE COMPETENT DIVISION OF R&D DEPARTMENT EXCEPT AS AUTHORIZED BY COMPAL ELECTRONICS, INC. NEITHER THIS SHEET NOR THE INFORMATION IT CONTAINS MAY BE USED BY OR DISCLOSED TO ANY THIRD PARTY WITHOUT PRIOR WRITTEN CONSENT OF COMPAL ELECTRONICS, INC.				Document Number	401561	Rev E
				Date:	Thursday, September 11, 2008	Sheet 1 of 48

Compal Confidential

Model Name : JALC0

Fan Control
page 35

AMD SIG2 Processor
uPGA-638 Package
page 4,5,6,7

Memory BUS(DDRII)
Dual Channel
1.8V DDRII 533/667

200pin DDRII-SO-DIMM X2
BANK 0, 1, 2, 3
page 8,9

HDMI Conn.
page 16

LCD Conn.
page 15

CRT
page 17

Hyper Transport Link
16 x 16

ATI RS780
uFCBGA-1299
page 10,11,12,13

Thermal Sensor
ADM1032
page 5

Clock Generator
ICS9LPRS488B
page 14

PCI-Express 1x

MINI Card x2
TV-Tuner WLAN
page 28
port 1,2

LAN(GbE)
BCM5764M
page 26
port 3

Card Reader
JMB385
page 25
port 4

5 in 1 socket
page 24

RJ45
page 27

ATI SB700
BGA-676
page 18,19,20,21,22

USB conn X3/4
page 28,29
USB port 0,7,2

Cable Dock
page 36
USB port 4

CMOS Camera
page 15
USB port 5

Bluetooth Conn
page 29
USB port 6

finger printer
page 28
USB port 1

Mini card X2
page 28
USB port 8,10

PCI BUS
3.3V 33 MHz

Card Bus
O2 OZ601
page 24
IDSEL:AD17
(PIRQE#, GNT#0, REQ#0)

PCMCIA socket

3.3V 48MHz
3.3V 24.576MHz/48MHz
USB

HD Audio

S-ATA

SATA HDD Conn.
page 23
port 0

CDROM Conn.
page 23
port 2

MDC 1.5 Conn
page 32

HDA Codec
ALC268/888
page 33

Analog internal MIC

Audio AMP
page 34

Phone Jack x3
page 34

LPC BUS

ENE KB926
page 30

Touch Pad
page 31

Int.KBD
page 31

EC I/O Buffer
page 31

BIOS
page 31

RTC CKT.
page 18

BTN/B Conn.
page 31

Power On/Off CKT.
page 32

LED/B Conn.
page 31

DC/DC Interface CKT.
page 37

USB/B Conn.
USB port 2
page 28

Power Circuit DC/DC
page 39,40,41
42,43,44,45

Security Classification		Compal Secret Data		Compal Electronics, Inc.	
Issued Date	2007/09/14	Deciphered Date	2007/12/25	Title	
THIS SHEET OF ENGINEERING DRAWING IS THE PROPRIETARY PROPERTY OF COMPAL ELECTRONICS, INC. AND CONTAINS CONFIDENTIAL AND TRADE SECRET INFORMATION. THIS SHEET MAY NOT BE TRANSFERRED FROM THE CUSTODY OF THE COMPETENT DIVISION OF R&D DEPARTMENT EXCEPT AS AUTHORIZED BY COMPAL ELECTRONICS, INC. NEITHER THIS SHEET NOR THE INFORMATION IT CONTAINS MAY BE USED BY OR DISCLOSED TO ANY THIRD PARTY WITHOUT PRIOR WRITTEN CONSENT OF COMPAL ELECTRONICS, INC.				Document Number	Rev
				401561	E
				Date: Thursday, September 11, 2008	Sheet 2 of 48

Voltage Rails

Power Plane	Description	S1	S3	S5
VIN	Adapter power supply (19V)	N/A	N/A	N/A
B+	AC or battery power rail for power circuit.	N/A	N/A	N/A
+CPU_CORE	Core voltage for CPU	ON	OFF	OFF
+0.9VS	0.9V switched power rail for DDR terminator	ON	OFF	OFF
+1.05VS	1.05V switched power rail	ON	OFF	OFF
+1.25VS	1.25V switched power rail	ON	OFF	OFF
+1.5VS	1.5V switched power rail	ON	OFF	OFF
+1.8V	1.8V power rail for DDR	ON	ON	OFF
+1.8VS	1.8V switched power rail	ON	OFF	OFF
+2.5VS	2.5V switched power rail	ON	OFF	OFF
+3VALW	3.3V always on power rail	ON	ON	ON*
+3V	3.3V power rail for SB	ON	ON	X
+3V_LAN	3.3V power rail for LAN	ON	ON	X
+3VS	3.3V switched power rail	ON	OFF	OFF
+5VALW	5V always on power rail	ON	ON	ON*
+5VS	5V switched power rail	ON	OFF	OFF
+VSB	VSB always on power rail	ON	ON	ON*
+RTCVCC	RTC power	ON	ON	ON

Note : ON* means that this power plane is ON only with AC power available, otherwise it is OFF.

External PCI Devices

Device	IDSEL#	REQ#/GNT#	Interrupts
PCMCIA Card bus	AD17	0	PIRQE

EC SM Bus1 address

Device	Address
Smart Battery	0001 011X b
EEPROM(24C16/02)	1010 000X b
MXM GMT G781-1	1001 101X b

EC SM Bus2 address

Device	Address
ADI ADM1032	1001 100X b
CPU SB	1001 101X b

SB700 SM Bus 0 address

Device	Address
Clock Generator (ICS9LPRS365)	1101 001Xb
DDR DIMM0	1001 000Xb
DDR DIMM2	1001 010Xb
Minicard	
Minicard	
HDMI switch	

SB700 SM Bus 1 address

Device	Address
New card	
Lan	

STATE	SIGNAL	SLP_S1#	SLP_S3#	SLP_S4#	SLP_S5#	+VALW	+V	+VS	Clock
Full ON		HIGH	HIGH	HIGH	HIGH	ON	ON	ON	ON
S1(Power On Suspend)		LOW	HIGH	HIGH	HIGH	ON	ON	ON	LOW
S3 (Suspend to RAM)		LOW	LOW	HIGH	HIGH	ON	ON	OFF	OFF
S4 (Suspend to Disk)		LOW	LOW	LOW	HIGH	ON	OFF	OFF	OFF
S5 (Soft OFF)		LOW	LOW	LOW	LOW	ON	OFF	OFF	OFF

Board ID / SKU ID Table for AD channel

Vcc	3.3V +/- 5%			
Ra/Rc/Re	100K +/- 5%			
Board ID	Rb / Rd / Rf	VAD_BID min	VAD_BID typ	VAD_BID max
0	0	0 V	0 V	0 V
1	8.2K +/- 5%	0.216 V	0.250 V	0.289 V
2	18K +/- 5%	0.436 V	0.503 V	0.538 V
3	33K +/- 5%	0.712 V	0.819 V	0.875 V
4	56K +/- 5%	1.036 V	1.185 V	1.264 V
5	100K +/- 5%	1.453 V	1.650 V	1.759 V
6	200K +/- 5%	1.935 V	2.200 V	2.341 V
7	NC	2.500 V	3.300 V	3.300 V

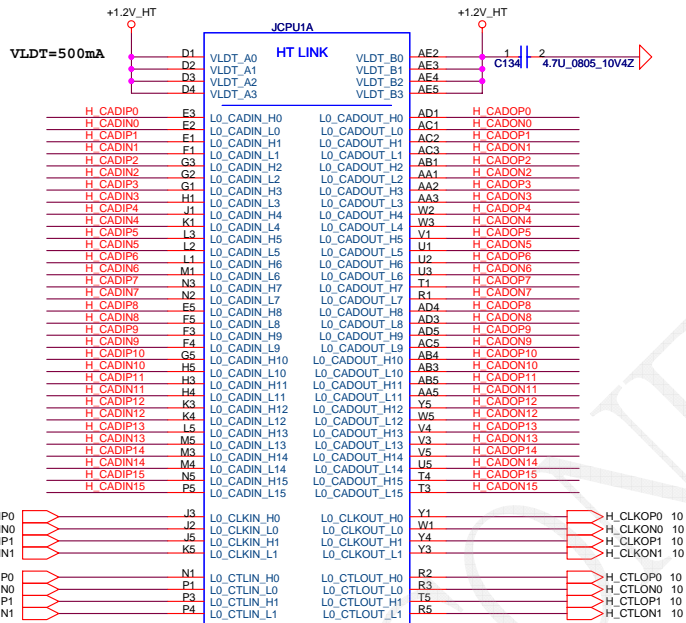
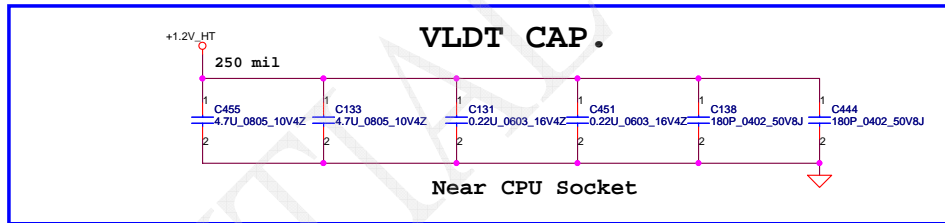
BOARD ID Table

Board ID	PCB Revision
0	0.1
1	0.2
2	0.3, 0.4, 1.0
3	2.0
4	
5	
6	
7	

BTO Option Table

BTO Item	BOM Structure
	EEPROM@
	FLASH@
5787	5787@
5764	5764@
ALC888VC	888@
ALC268	ALC268@
with docking	Docking@
w/o docking	no docking@

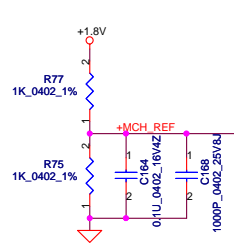
Security Classification	Compal Secret Data			Compal Electronics, Inc.		
Issued Date	2007/09/14	Deciphered Date	2007/12/25	Title	SCHEMATICS, M/B S4182	
THIS SHEET OF ENGINEERING DRAWING IS THE PROPRIETARY PROPERTY OF COMPAL ELECTRONICS, INC. AND CONTAINS CONFIDENTIAL AND TRADE SECRET INFORMATION. THIS SHEET MAY NOT BE TRANSFERRED FROM THE CUSTODY OF THE COMPETENT DIVISION OF R&D DEPARTMENT EXCEPT AS AUTHORIZED BY COMPAL ELECTRONICS, INC. NEITHER THIS SHEET NOR THE INFORMATION IT CONTAINS MAY BE USED BY OR DISCLOSED TO ANY THIRD PARTY WITHOUT PRIOR WRITTEN CONSENT OF COMPAL ELECTRONICS, INC.				Document Number	401561	Rev E
				Date:	Thursday, September 11, 2008	Sheet 3 of 48



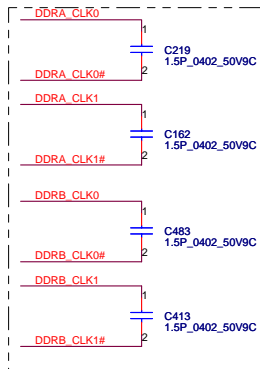
60900221006_B
 Athlon 64 S1
 Processor Socket

Security Classification	Compal Secret Data		Title	Compal Electronics, Inc.	
Issued Date	2007/09/14	Deciphered Date	2008/08/02	SCHEMATICS, M/B S4182	
THIS SHEET OF ENGINEERING DRAWING IS THE PROPRIETARY PROPERTY OF COMPAL ELECTRONICS, INC. AND CONTAINS CONFIDENTIAL AND TRADE SECRET INFORMATION. THIS SHEET MAY NOT BE TRANSFERRED FROM THE CUSTODY OF THE COMPETENT DIVISION OF R&D DEPARTMENT EXCEPT AS AUTHORIZED BY COMPAL ELECTRONICS, INC. NEITHER THIS SHEET NOR THE INFORMATION IT CONTAINS MAY BE USED BY OR DISCLOSED TO ANY THIRD PARTY WITHOUT PRIOR WRITTEN CONSENT OF COMPAL ELECTRONICS, INC.			Document Number	401561	Rev E
Date:	Thursday, September 11, 2008		Sheet	4	of 48

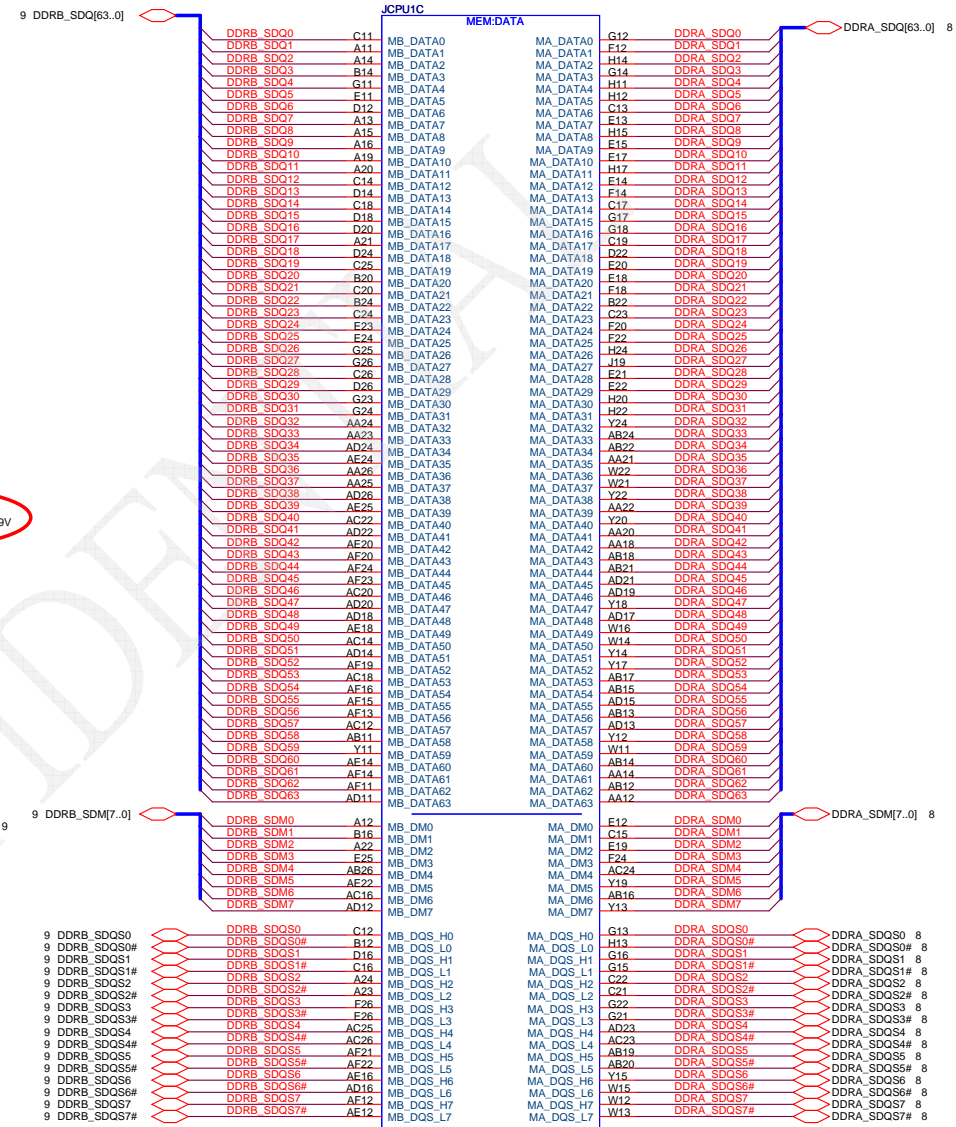
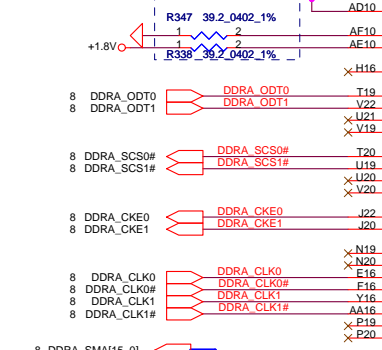
Processor DDR2 Memory Interface



PLACE CLOSE TO PROCESSOR
WITHIN 1.5 INCH

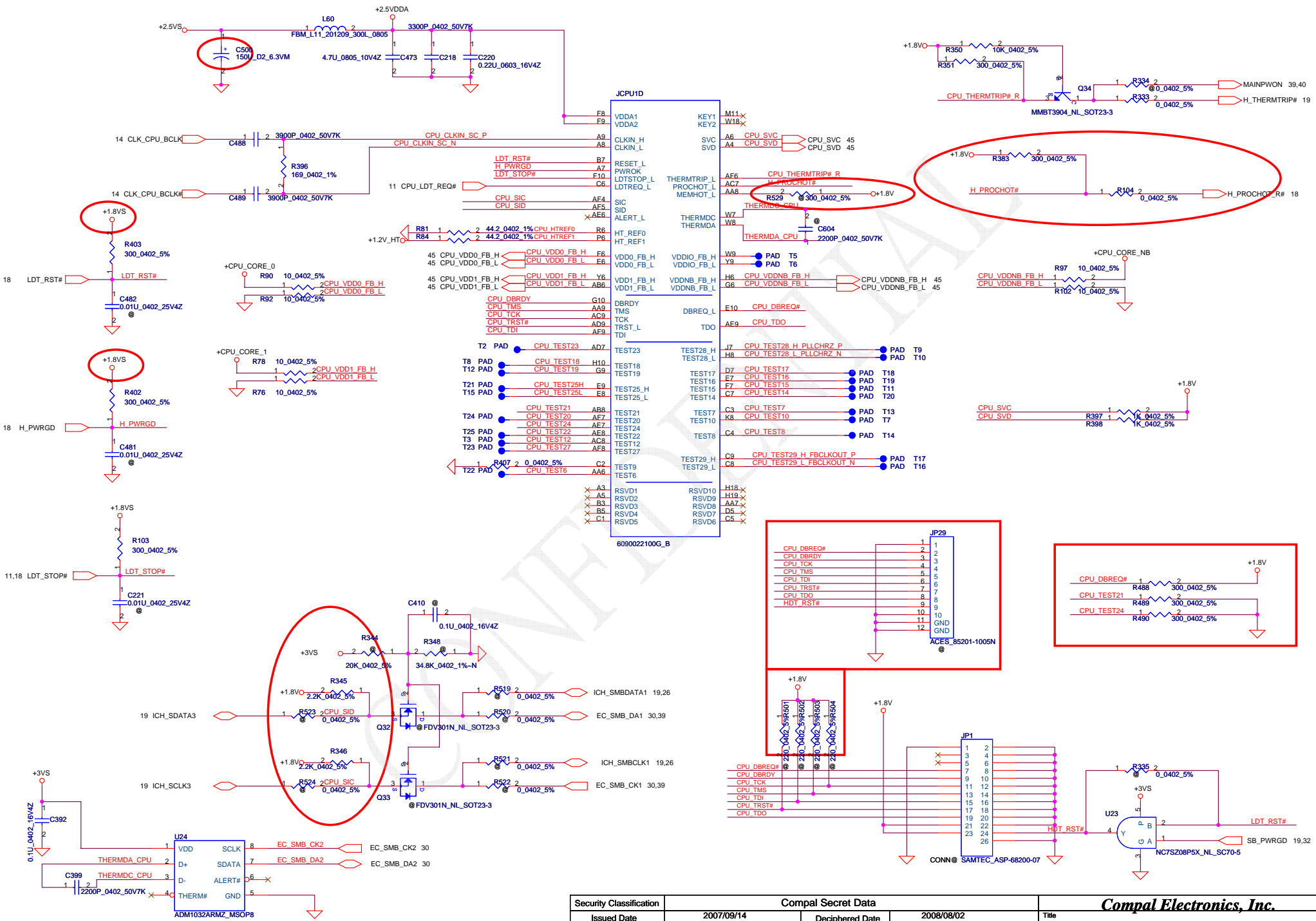


Place them close to CPU within 1"



Athlon 64 S1 Processor Socket 6090022100G_B Athlon 64 S1 Processor Socket

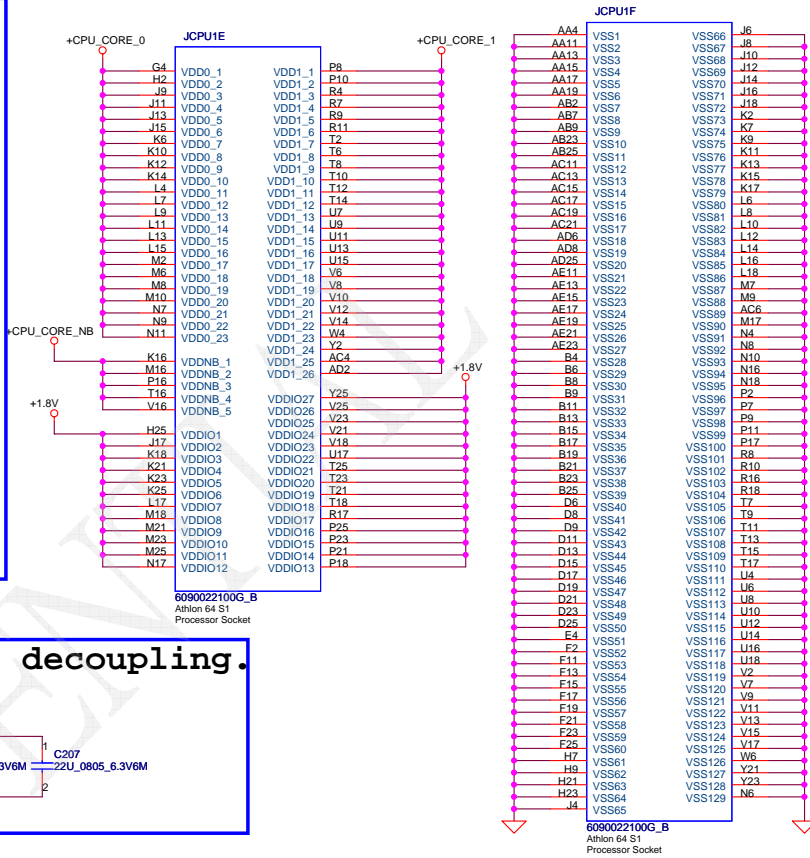
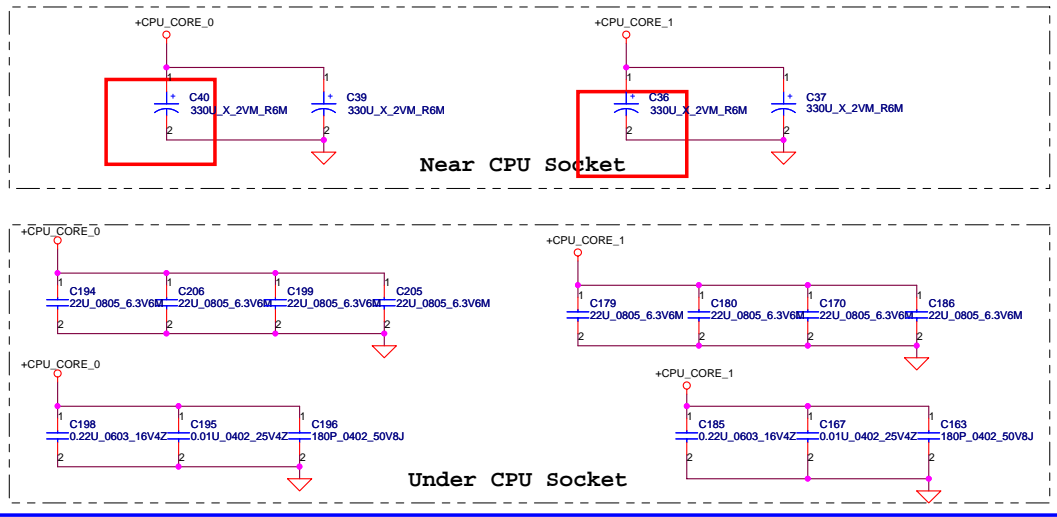
Security Classification	Compal Secret Data		Title	
Issued Date	2007/09/14	Deciphered Date	2008/08/02	Compal Electronics, Inc.
THIS SHEET OF ENGINEERING DRAWING IS THE PROPRIETARY PROPERTY OF COMPAL ELECTRONICS, INC. AND CONTAINS CONFIDENTIAL AND TRADE SECRET INFORMATION. THIS SHEET MAY NOT BE TRANSFERRED FROM THE CUSTODY OF THE COMPETENT DIVISION OR DEPARTMENT EXCEPT AS AUTHORIZED BY COMPAL ELECTRONICS, INC. NEITHER THIS SHEET NOR THE INFORMATION IT CONTAINS MAY BE USED BY OR DISCLOSED TO ANY THIRD PARTY WITHOUT PRIOR WRITTEN CONSENT OF COMPAL ELECTRONICS, INC.				SCHEMATICS, M/B S4182
Date: Thursday, September 11, 2008				Rev E



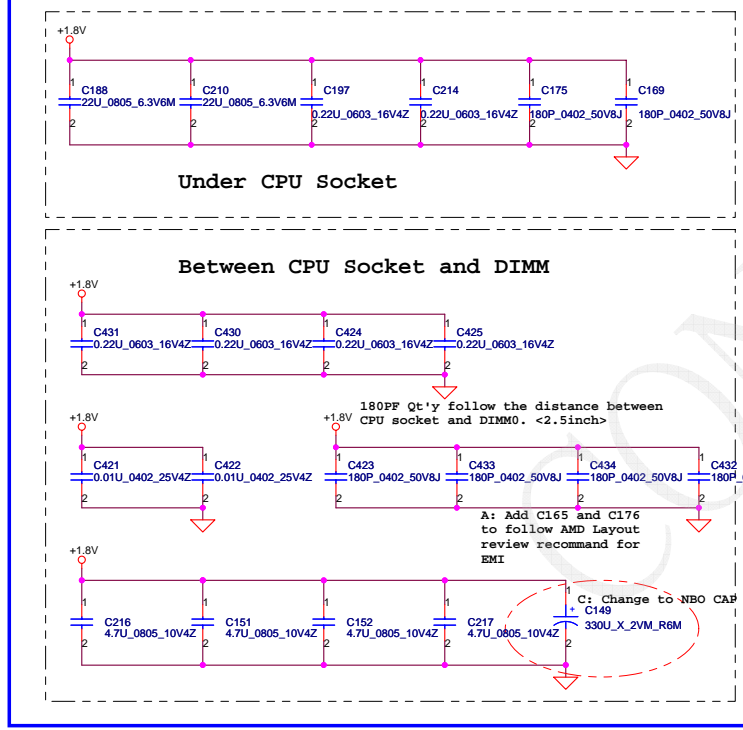
Security Classification		Compal Secret Data		Title	
Issued Date	2007/09/14	Deciphered Date	2008/08/02	Compal Electronics, Inc.	
THIS SHEET OF ENGINEERING DRAWING IS THE PROPRIETARY PROPERTY OF COMPAL ELECTRONICS, INC. AND CONTAINS CONFIDENTIAL AND TRADE SECRET INFORMATION. THIS SHEET MAY NOT BE TRANSFERRED FROM THE CUSTODY OF THE COMPETENT DIVISION OF R&D DEPARTMENT EXCEPT AS AUTHORIZED BY COMPAL ELECTRONICS, INC. NEITHER THIS SHEET NOR THE INFORMATION IT CONTAINS MAY BE USED BY OR DISCLOSED TO ANY THIRD PARTY WITHOUT PRIOR WRITTEN CONSENT OF COMPAL ELECTRONICS, INC.				Document Number	401561
				Date:	Thursday, September 11, 2008
				Sheet	6 of 48

SCHEMATICS, M/B S4182

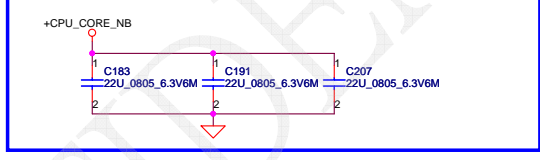
VDD(+CPU_CORE) decoupling.



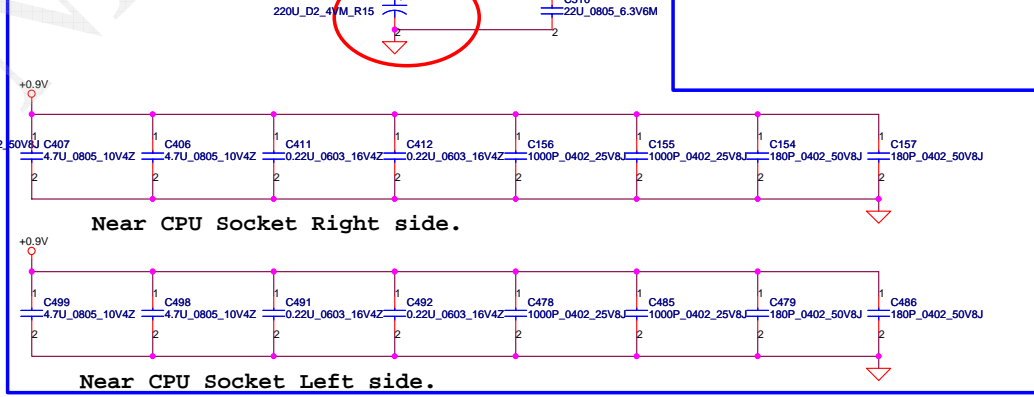
VDDIO decoupling.



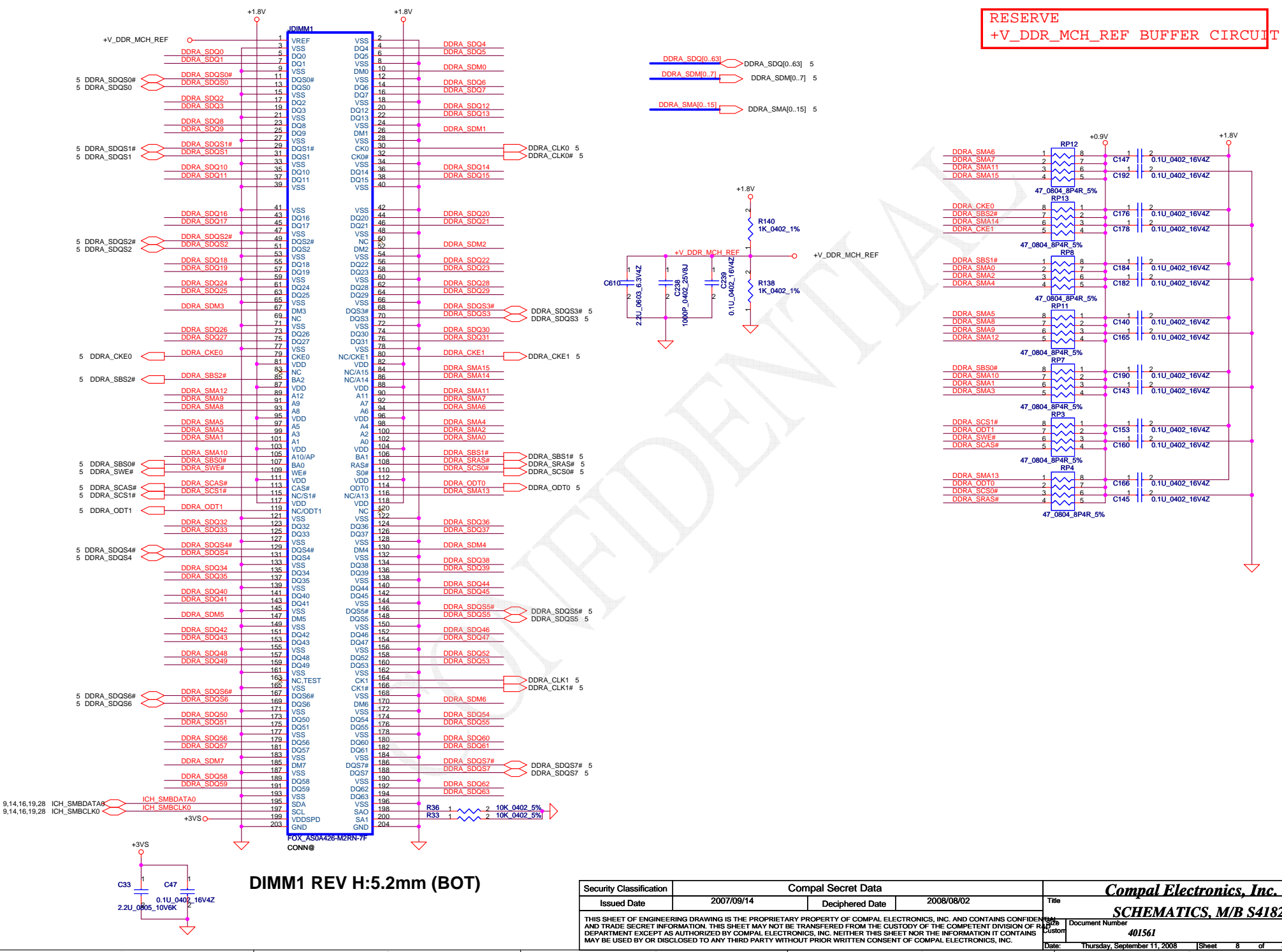
+CPU_CORE_NB decoupling.



VTT decoupling.



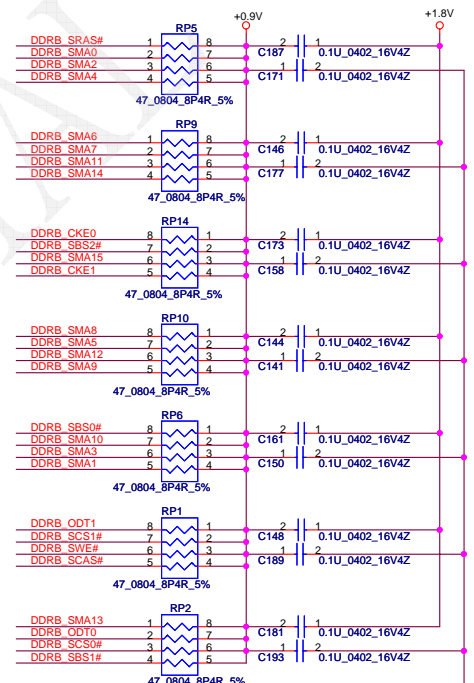
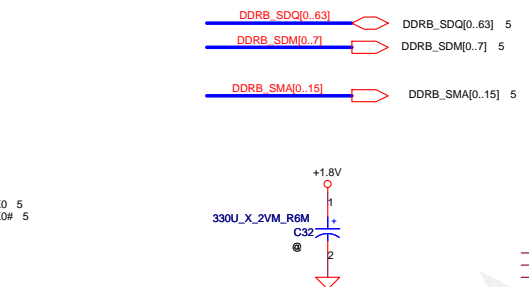
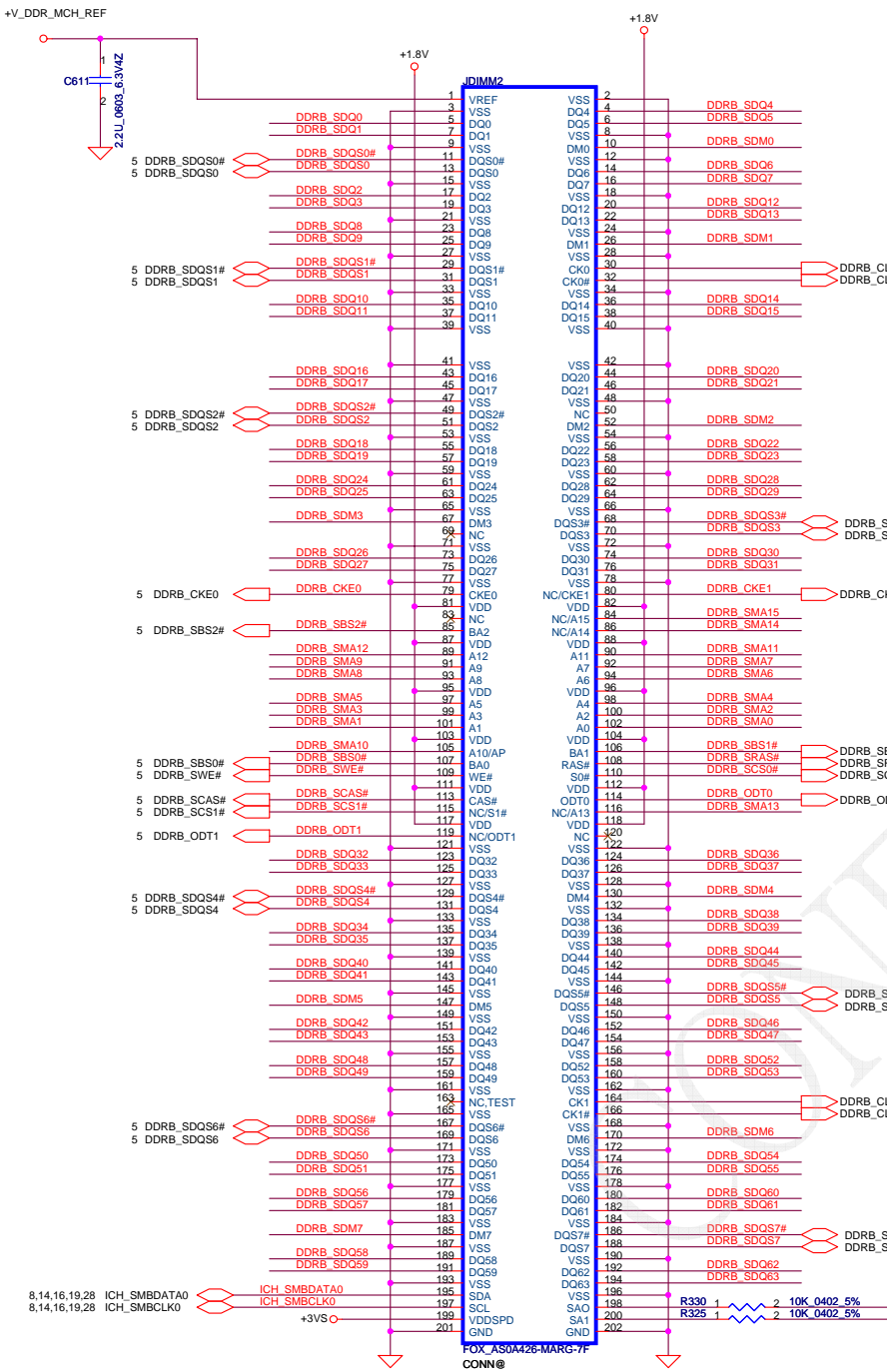
Security Classification	Compal Secret Data		Title	Compal Electronics, Inc.	
Issued Date	2007/09/14	Deciphered Date	2008/08/02	SCHEMATICS, M/B S4182	
THIS SHEET OF ENGINEERING DRAWING IS THE PROPRIETARY PROPERTY OF COMPAL ELECTRONICS, INC. AND CONTAINS CONFIDENTIAL AND TRADE SECRET INFORMATION. THIS SHEET MAY NOT BE TRANSFERRED FROM THE CUSTODY OF THE COMPETENT DIVISION OF R&D DEPARTMENT EXCEPT AS AUTHORIZED BY COMPAL ELECTRONICS, INC. NEITHER THIS SHEET NOR THE INFORMATION IT CONTAINS MAY BE USED BY OR DISCLOSED TO ANY THIRD PARTY WITHOUT PRIOR WRITTEN CONSENT OF COMPAL ELECTRONICS, INC.					
Date:	Thursday, September 11, 2008	Sheet	7	of	48



RESERVE
+V_DDR_MCH_REF BUFFER CIRCUIT

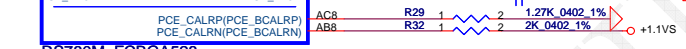
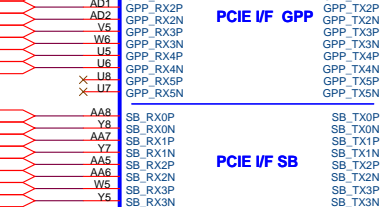
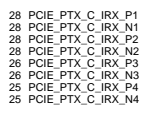
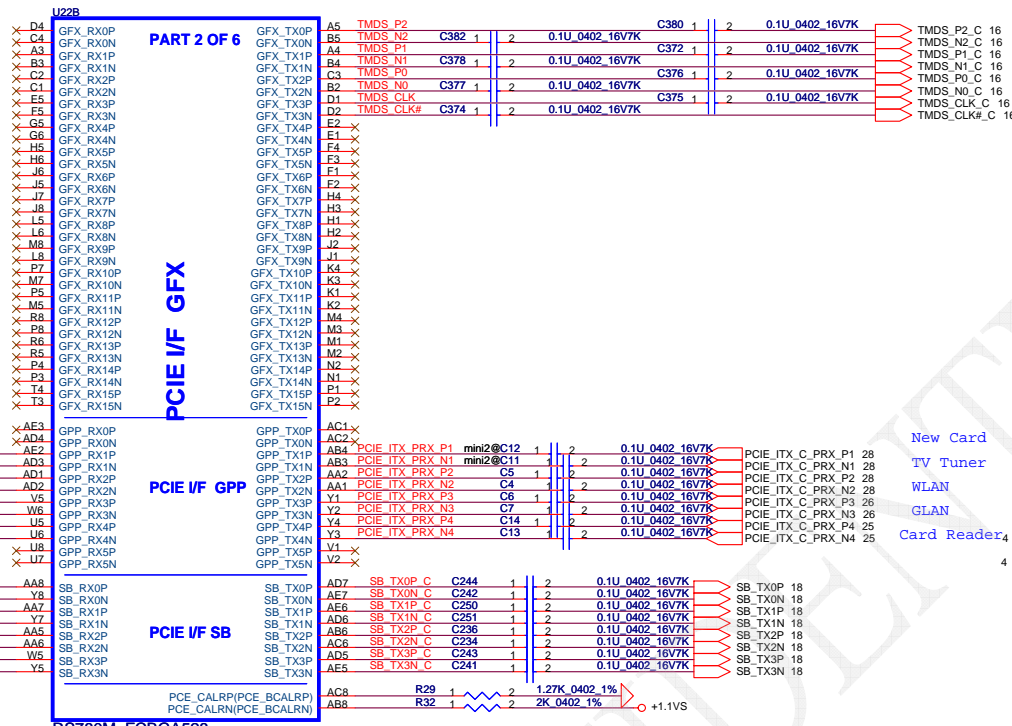
DIMM1 REV H:5.2mm (BOT)

Security Classification	Compal Secret Data		Title	Compal Electronics, Inc.	
Issued Date	2007/09/14	Deciphered Date	2008/08/02	Schematics, M/B S4182	
THIS SHEET OF ENGINEERING DRAWING IS THE PROPRIETARY PROPERTY OF COMPAL ELECTRONICS, INC. AND CONTAINS CONFIDENTIAL AND TRADE SECRET INFORMATION. THIS SHEET MAY NOT BE TRANSFERRED FROM THE CUSTODY OF THE COMPETENT DIVISION OF R&D DEPARTMENT EXCEPT AS AUTHORIZED BY COMPAL ELECTRONICS, INC. NEITHER THIS SHEET NOR THE INFORMATION IT CONTAINS MAY BE USED BY OR DISCLOSED TO ANY THIRD PARTY WITHOUT PRIOR WRITTEN CONSENT OF COMPAL ELECTRONICS, INC.					
Date:	Thursday, September 11, 2008	Sheet	8	of	48



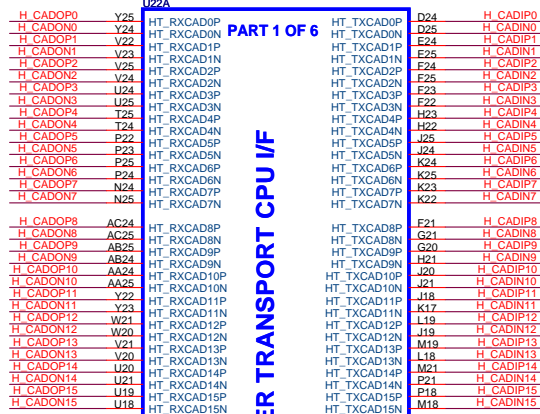
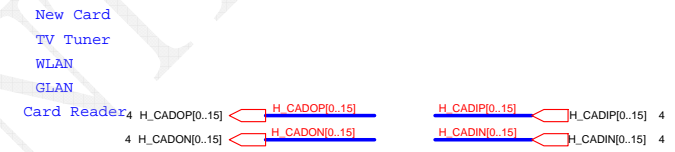
DIMM1 REV H:9.2mm (BOT)

Security Classification		Compal Secret Data		Title	
Issued Date	2007/09/14	Deciphered Date	2008/08/02	Compal Electronics, Inc.	
THIS SHEET OF ENGINEERING DRAWING IS THE PROPRIETARY PROPERTY OF COMPAL ELECTRONICS, INC. AND CONTAINS CONFIDENTIAL AND TRADE SECRET INFORMATION. THIS SHEET MAY NOT BE TRANSFERRED FROM THE CUSTODY OF THE COMPETENT DIVISION OF R&D DEPARTMENT EXCEPT AS AUTHORIZED BY COMPAL ELECTRONICS, INC. NEITHER THIS SHEET NOR THE INFORMATION IT CONTAINS MAY BE USED BY OR DISCLOSED TO ANY THIRD PARTY WITHOUT PRIOR WRITTEN CONSENT OF COMPAL ELECTRONICS, INC.				Document Number	Rev
				401561	E
Date:				Thursday, September 11, 2008	Sheet 9 of 48



RS780M Display Port Support (muxed on GFX)

DP0	GFX_TX0,TX1,TX2 and TX3 AUX0 and HPD0
DP1	GFX_TX4,TX5,TX6 and TX7 AUX1 and HPD1

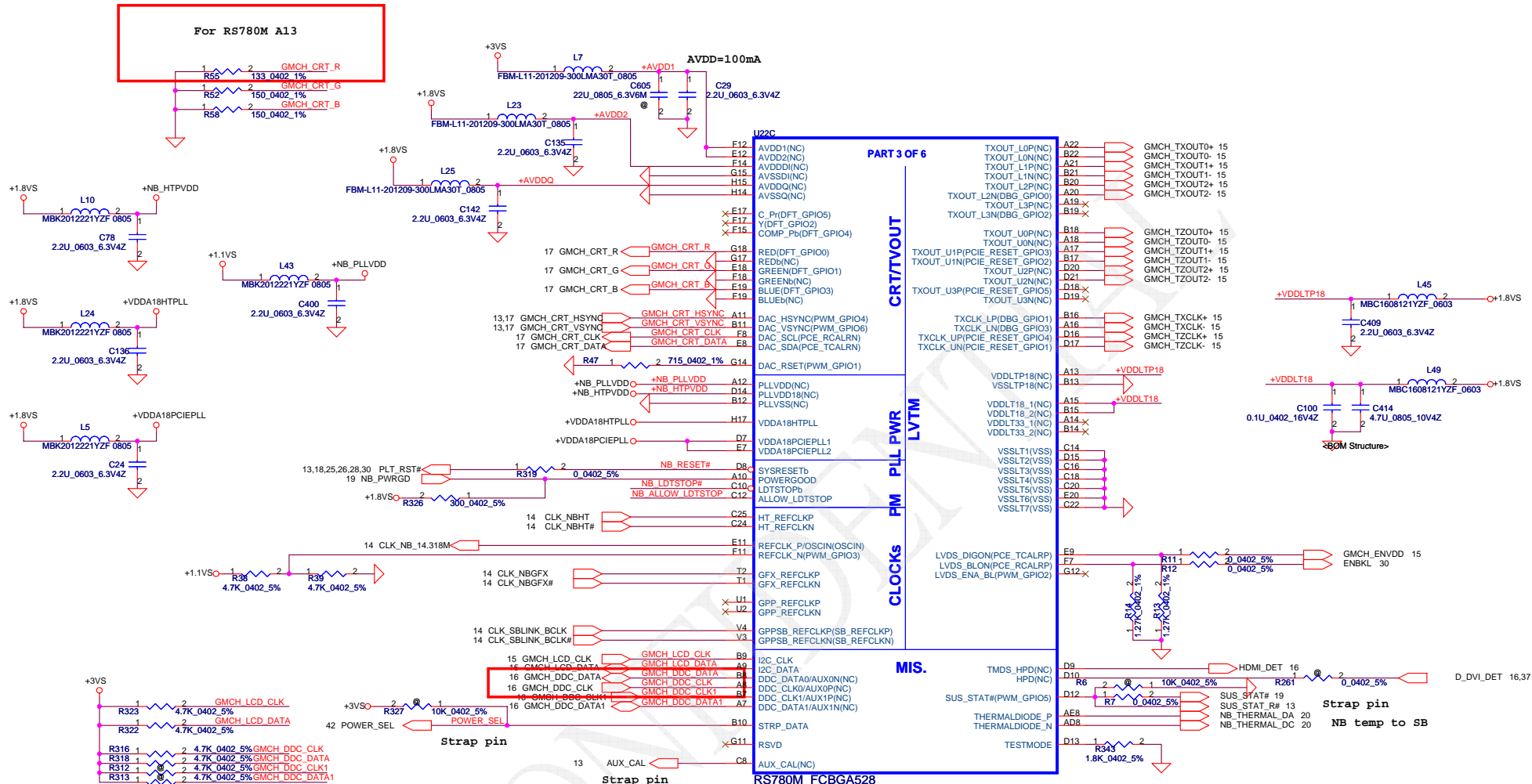


0718 Place within 1" layout 1:2

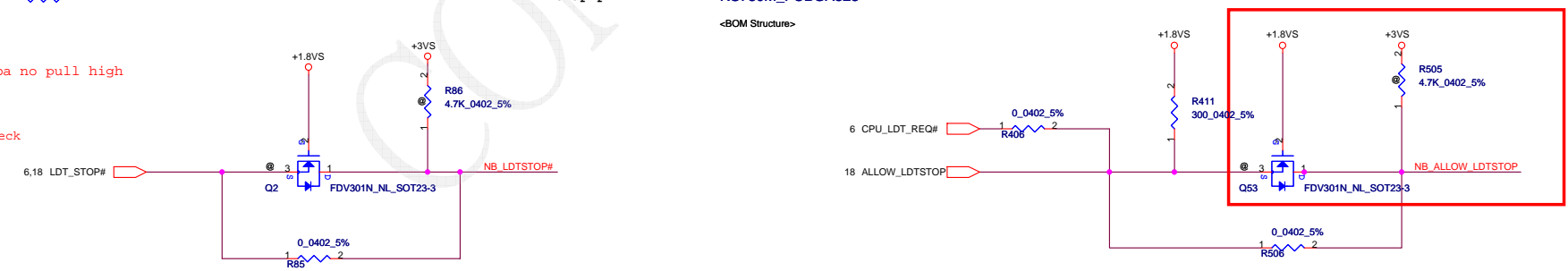
RS780M_FCBGA528

<BOM Structure>

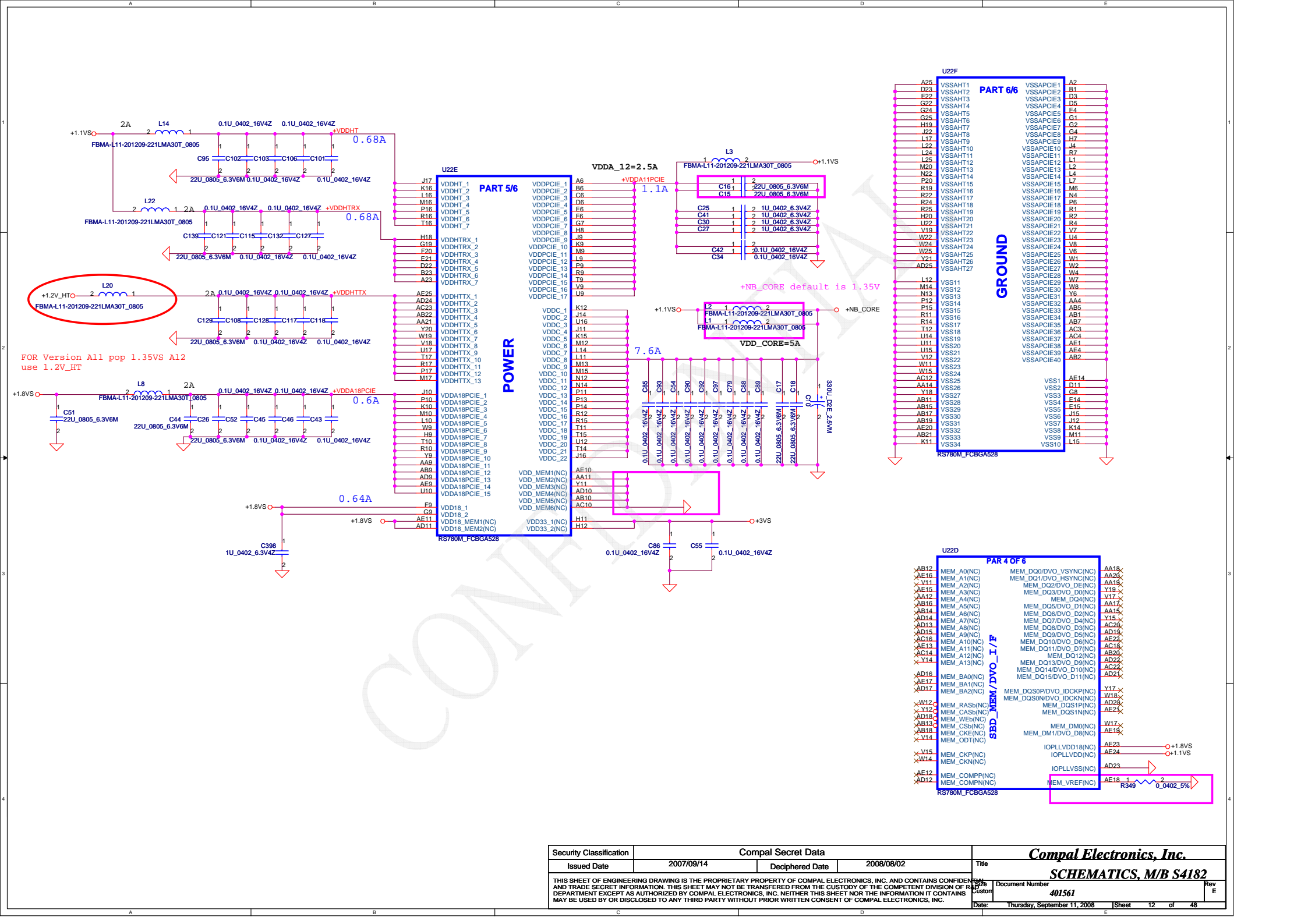
Security Classification	Compal Secret Data			Title	Compal Electronics, Inc.	
Issued Date	2007/09/14	Deciphered Date	2008/08/02	Document Number	SCHEMATICS, M/B S4182	
THIS SHEET OF ENGINEERING DRAWING IS THE PROPRIETARY PROPERTY OF COMPAL ELECTRONICS, INC. AND CONTAINS CONFIDENTIAL AND TRADE SECRET INFORMATION. THIS SHEET MAY NOT BE TRANSFERRED FROM THE CUSTODY OF THE COMPETENT DIVISION OF RAJAPALANI DEPARTMENT EXCEPT AS AUTHORIZED BY COMPAL ELECTRONICS, INC. NEITHER THIS SHEET NOR THE INFORMATION IT CONTAINS MAY BE USED BY OR DISCLOSED TO ANY THIRD PARTY WITHOUT PRIOR WRITTEN CONSENT OF COMPAL ELECTRONICS, INC.				Rev	E	
Date:	Thursday, September 11, 2008	Sheet	10	of	48	



toshiba no pull high
AMD check



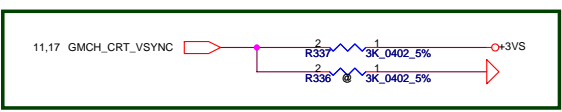
Security Classification		Compal Secret Data		Compal Electronics, Inc.	
Issued Date	2007/09/14	Deciphered Date	2008/08/02	Title	SCHMATICS, M/B S4182
THIS SHEET OF ENGINEERING DRAWING IS THE PROPRIETARY PROPERTY OF COMPAL ELECTRONICS, INC. AND CONTAINS CONFIDENTIAL AND TRADE SECRET INFORMATION. THIS SHEET MAY NOT BE TRANSFERRED FROM THE CUSTODY OF THE COMPETENT DIVISION OF COMPAL ELECTRONICS, INC. NEITHER THIS SHEET NOR THE INFORMATION IT CONTAINS MAY BE USED BY OR DISCLOSED TO ANY THIRD PARTY WITHOUT PRIOR WRITTEN CONSENT OF COMPAL ELECTRONICS, INC.					
Date:	Thursday, September 11, 2008	Sheet	11 of 48	Rev	E



FOR Version A11 pop 1.35VS A12
use 1.2V_HT

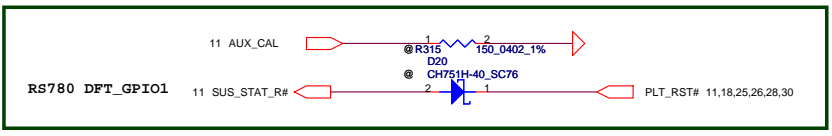
Security Classification		Compal Secret Data		Title	
Issued Date	2007/09/14	Deciphered Date	2008/08/02	Compal Electronics, Inc.	
THIS SHEET OF ENGINEERING DRAWING IS THE PROPRIETARY PROPERTY OF COMPAL ELECTRONICS, INC. AND CONTAINS CONFIDENTIAL AND TRADE SECRET INFORMATION. THIS SHEET MAY NOT BE TRANSFERRED FROM THE CUSTODY OF THE COMPETENT DIVISION OF R&D DEPARTMENT EXCEPT AS AUTHORIZED BY COMPAL ELECTRONICS, INC. NEITHER THIS SHEET NOR THE INFORMATION IT CONTAINS MAY BE USED BY OR DISCLOSED TO ANY THIRD PARTY WITHOUT PRIOR WRITTEN CONSENT OF COMPAL ELECTRONICS, INC.				Document Number	401561
Date:	Thursday, September 11, 2008	Sheet	12	of	48

SHEMATICS, M/B S4182



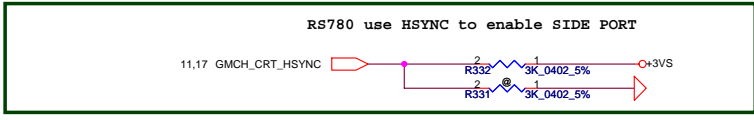
DFT_GPIO5:STRAP_DEBUG_BUS_GPIO_ENABLEb

Enables the Test Debug Bus using GPIO. (VSYNC)
 1 : Disable (RS780)
 0 : Enable (Rs780)



DFT_GPIO1: LOAD_EEPROM_STRAPS

Selects Loading of STRAPS from EPROM
 1 : Bypass the loading of EEPROM straps and use Hardware Default Values
 0 : I2C Master can load strap values from EEPROM if connected, or use default values if not connected
 RS740/RX780: DFT_GPIO1 RS780:SUS_STAT

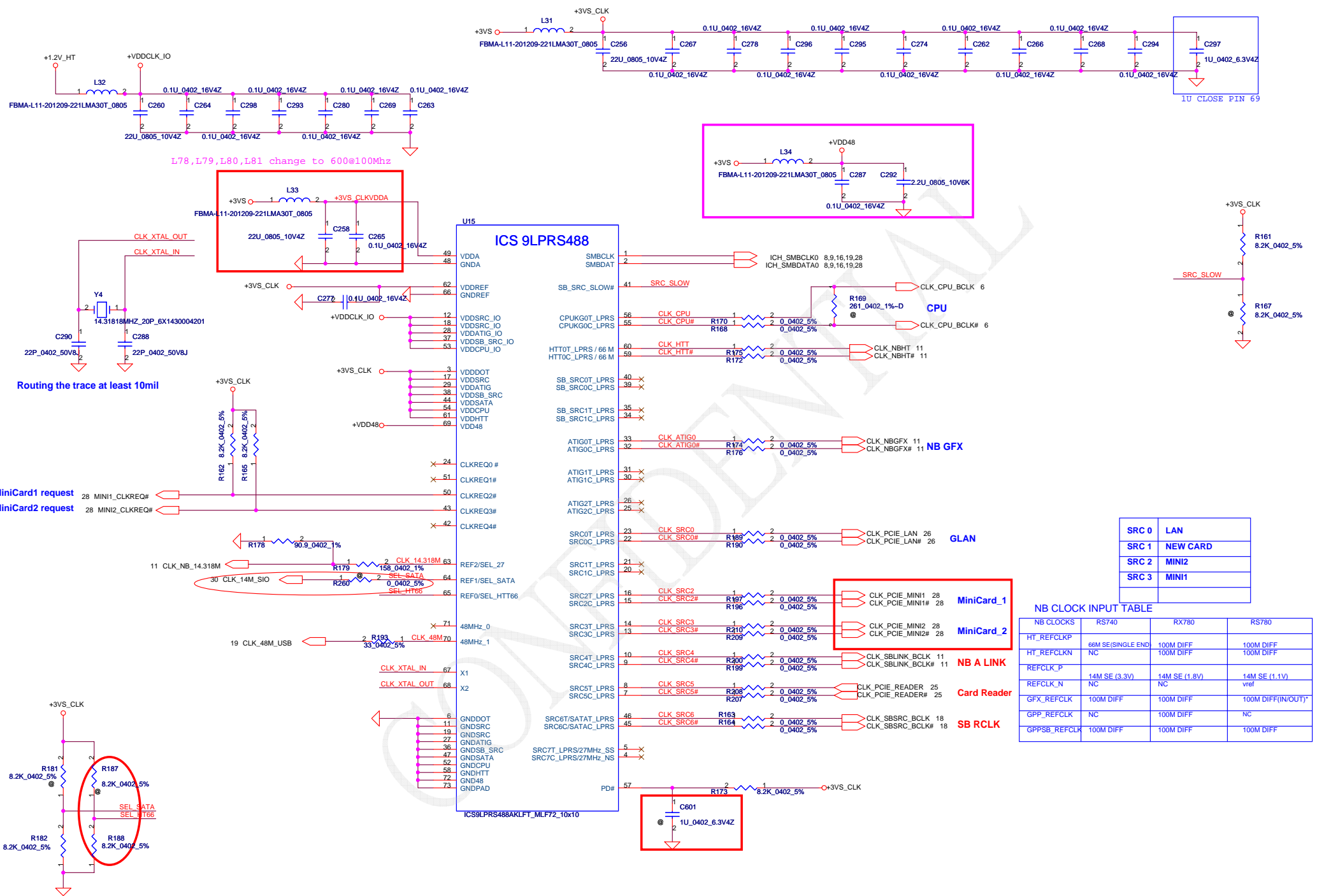


RS780 use HSYNC to enable SIDE PORT

RS740/RS780: Enables Side port memory (RS780 use HSYNC#)
 0 : Enable (RS780)
 1 : Disable(RS780)

CONFIDENTIAL

Security Classification		Compal Secret Data		Title	
Issued Date	2007/09/14	Deciphered Date	2008/08/02	Compal Electronics, Inc.	
THIS SHEET OF ENGINEERING DRAWING IS THE PROPRIETARY PROPERTY OF COMPAL ELECTRONICS, INC. AND CONTAINS CONFIDENTIAL AND TRADE SECRET INFORMATION. THIS SHEET MAY NOT BE TRANSFERRED FROM THE CUSTODY OF THE COMPETENT DIVISION OF R&D DEPARTMENT EXCEPT AS AUTHORIZED BY COMPAL ELECTRONICS, INC. NEITHER THIS SHEET NOR THE INFORMATION IT CONTAINS MAY BE USED BY OR DISCLOSED TO ANY THIRD PARTY WITHOUT PRIOR WRITTEN CONSENT OF COMPAL ELECTRONICS, INC.				Document Number	Rev
				401561	E
Date:				Thursday, September 11, 2008	Sheet 13 of 48



SRC 0	LAN
SRC 1	NEW CARD
SRC 2	MINI2
SRC 3	MINI1

NB CLOCK INPUT TABLE

NB CLOCKS	RS740	RX780	RS780
HT_REFCLKP	68M SE(SINGLE END)	100M DIFF	100M DIFF
HT_REFCLKN	NC	100M DIFF	100M DIFF
REFCLK_P	14M SE (3.3V)	14M SE (1.8V)	14M SE (1.1V)
REFCLK_N	NC	NC	vref
GFX_REFCLK	100M DIFF	100M DIFF	100M DIFF(IN/OUT)
GPP_REFCLK	NC	100M DIFF	NC
GPPSB_REFCLK	100M DIFF	100M DIFF	100M DIFF

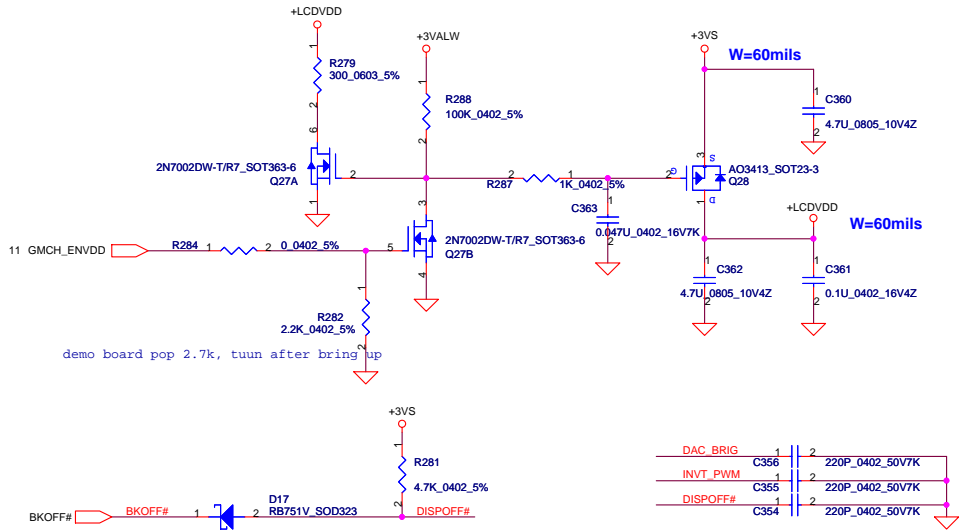
SEL_HTT66	1	configure as single-ended 66MHz output
	0*	configure as differential 100MHz output
SEL_SATA	1*	100M_SATA SRC6 output
	0	SPREAD 100M_SATA SRC6 output

* default

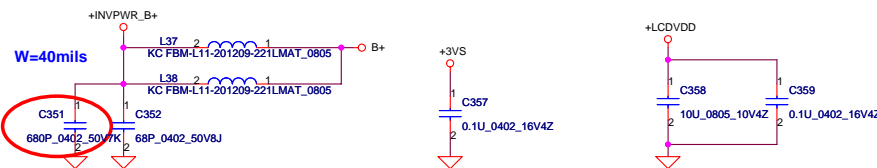
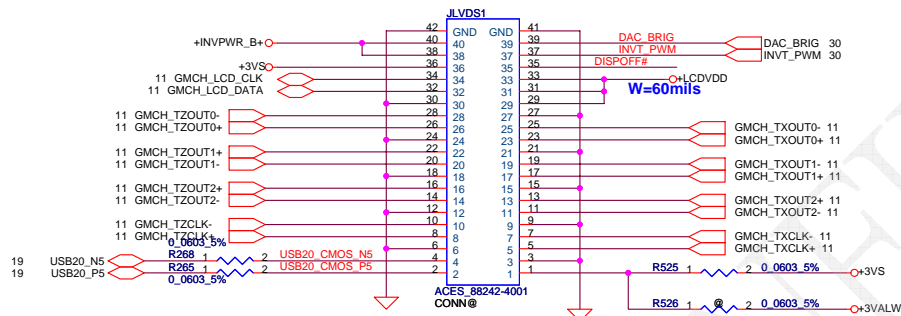
NB_OSC_14.318M	1	configure as 27M and 27M_SS output
	0*	configure as SRC 7 output

Security Classification	Compal Secret Data		Title
Issued Date	2007/09/14	Deciphered Date	2008/08/02
THIS SHEET OF ENGINEERING DRAWING IS THE PROPRIETARY PROPERTY OF COMPAL ELECTRONICS, INC. AND CONTAINS CONFIDENTIAL AND TRADE SECRET INFORMATION. THIS SHEET MAY NOT BE TRANSFERRED FROM THE CUSTODY OF THE COMPETENT DIVISION OF R&D DEPARTMENT EXCEPT AS AUTHORIZED BY COMPAL ELECTRONICS, INC. NEITHER THIS SHEET NOR THE INFORMATION IT CONTAINS MAY BE USED BY OR DISCLOSED TO ANY THIRD PARTY WITHOUT PRIOR WRITTEN CONSENT OF COMPAL ELECTRONICS, INC.			Document Number 401561 Rev E
Compal Electronics, Inc. SCHMATICS, M/B S4182			Date: Thursday, September 11, 2008 Sheet 14 of 48

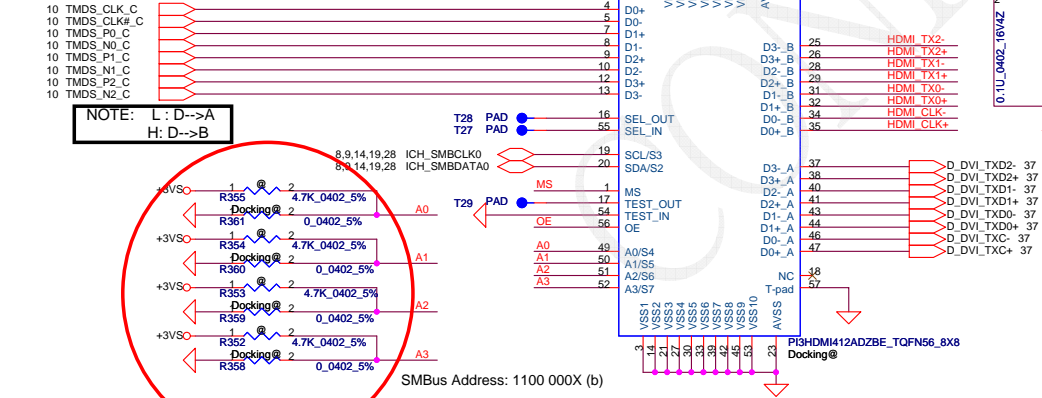
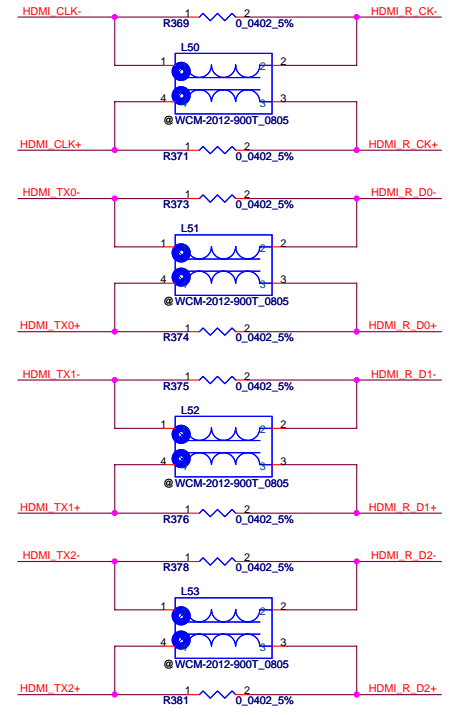
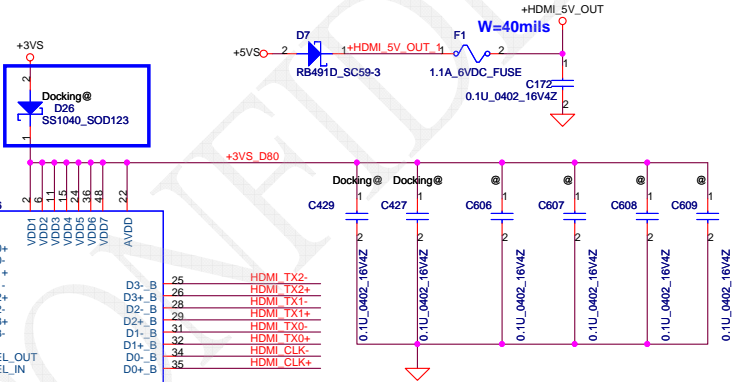
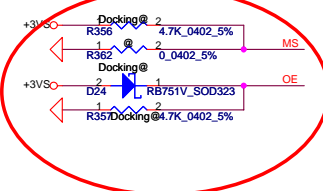
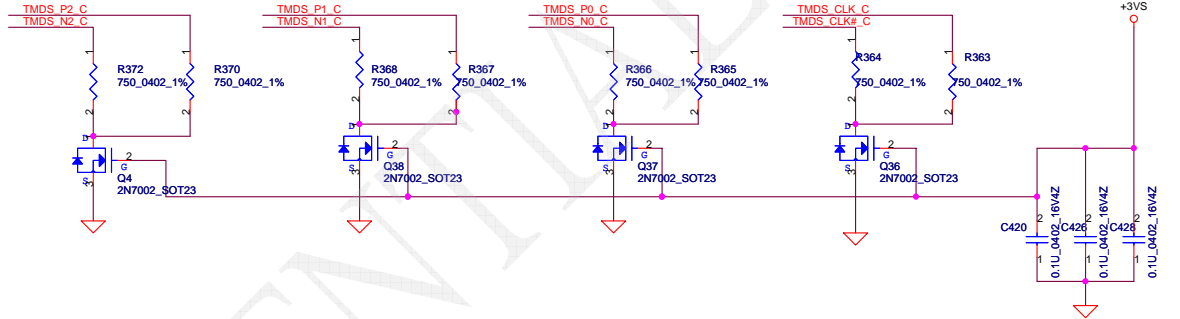
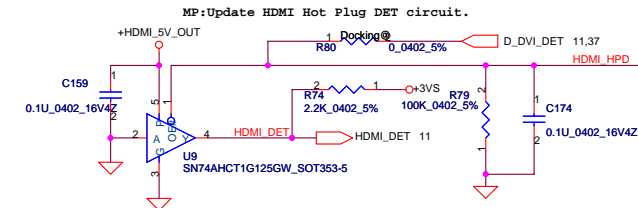
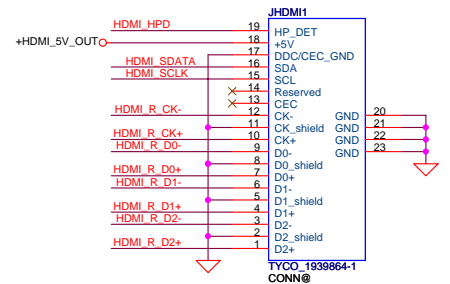
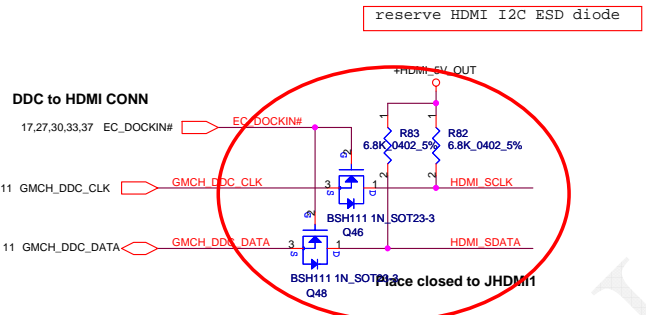
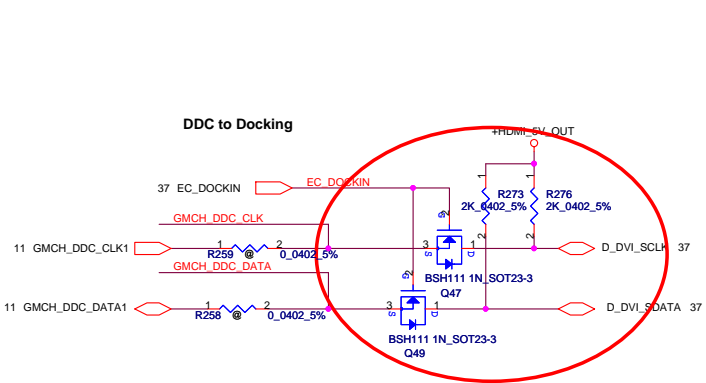
LCD POWER CIRCUIT



LCD/PANEL BD. Conn.



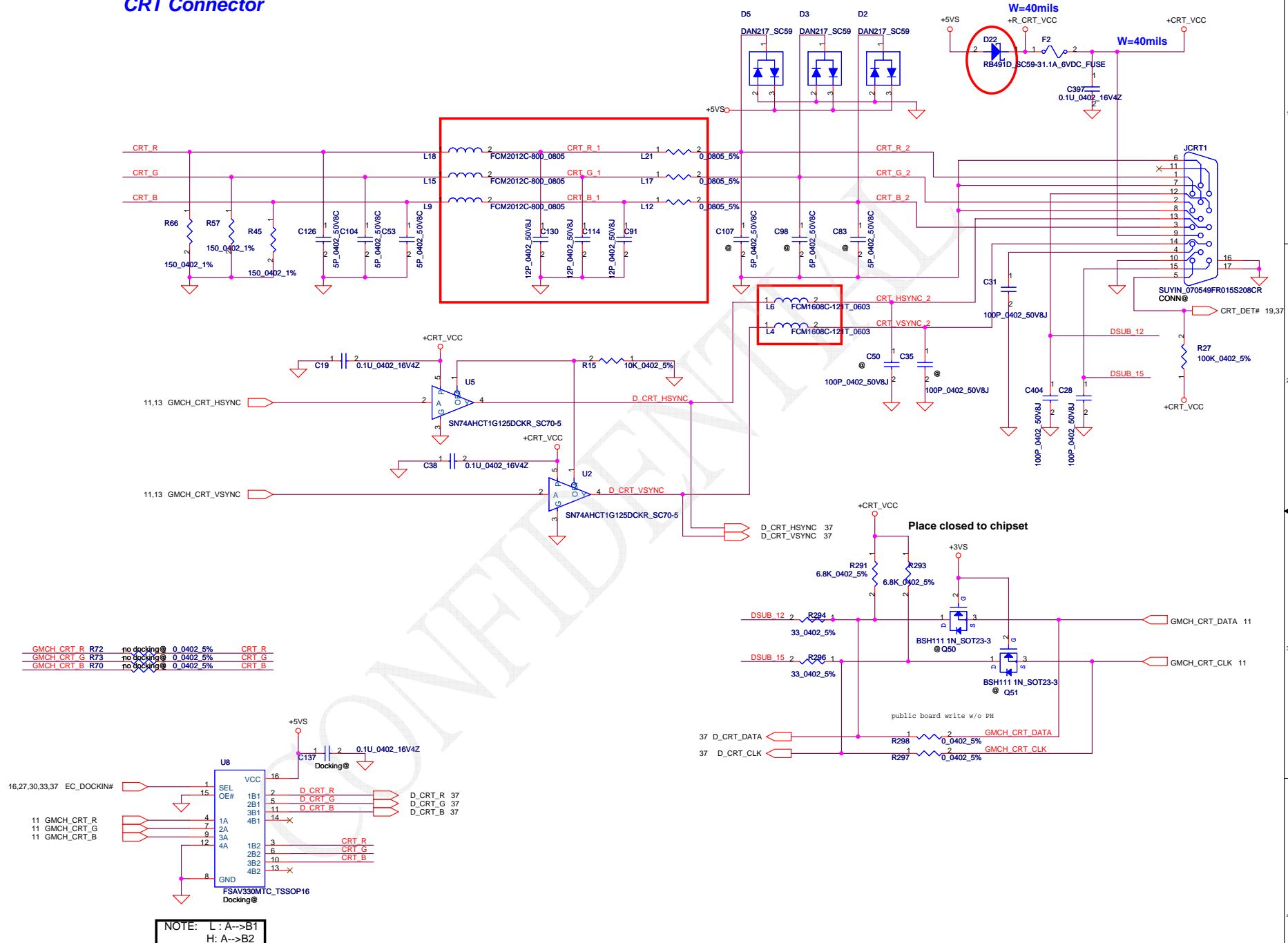
Security Classification	Compal Secret Data		Title	Compal Electronics, Inc.	
Issued Date	2007/09/14	Deciphered Date	2007/12/25	SCHEMATICS, M/B S4182	
THIS SHEET OF ENGINEERING DRAWING IS THE PROPRIETARY PROPERTY OF COMPAL ELECTRONICS, INC. AND CONTAINS CONFIDENTIAL AND TRADE SECRET INFORMATION. THIS SHEET MAY NOT BE TRANSFERRED FROM THE CUSTODY OF THE COMPETENT DIVISION OF R&D DEPARTMENT EXCEPT AS AUTHORIZED BY COMPAL ELECTRONICS, INC. NEITHER THIS SHEET NOR THE INFORMATION IT CONTAINS MAY BE USED BY OR DISCLOSED TO ANY THIRD PARTY WITHOUT PRIOR WRITTEN CONSENT OF COMPAL ELECTRONICS, INC.			Document Number	401561	Rev E
Date:	Thursday, September 11, 2008	Sheet	15	of	48



NOTE: L: D-->A
H: D-->B

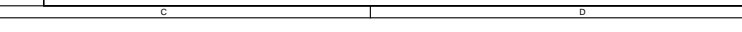
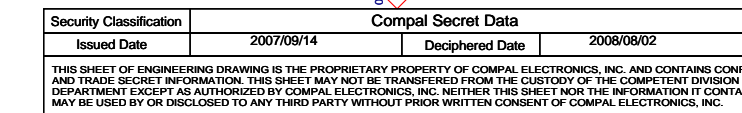
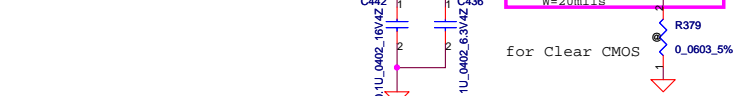
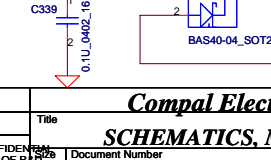
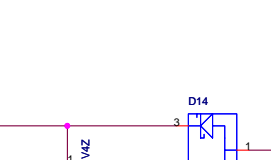
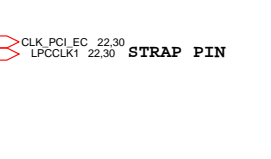
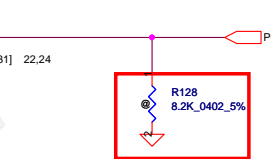
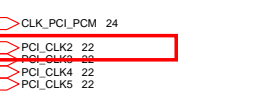
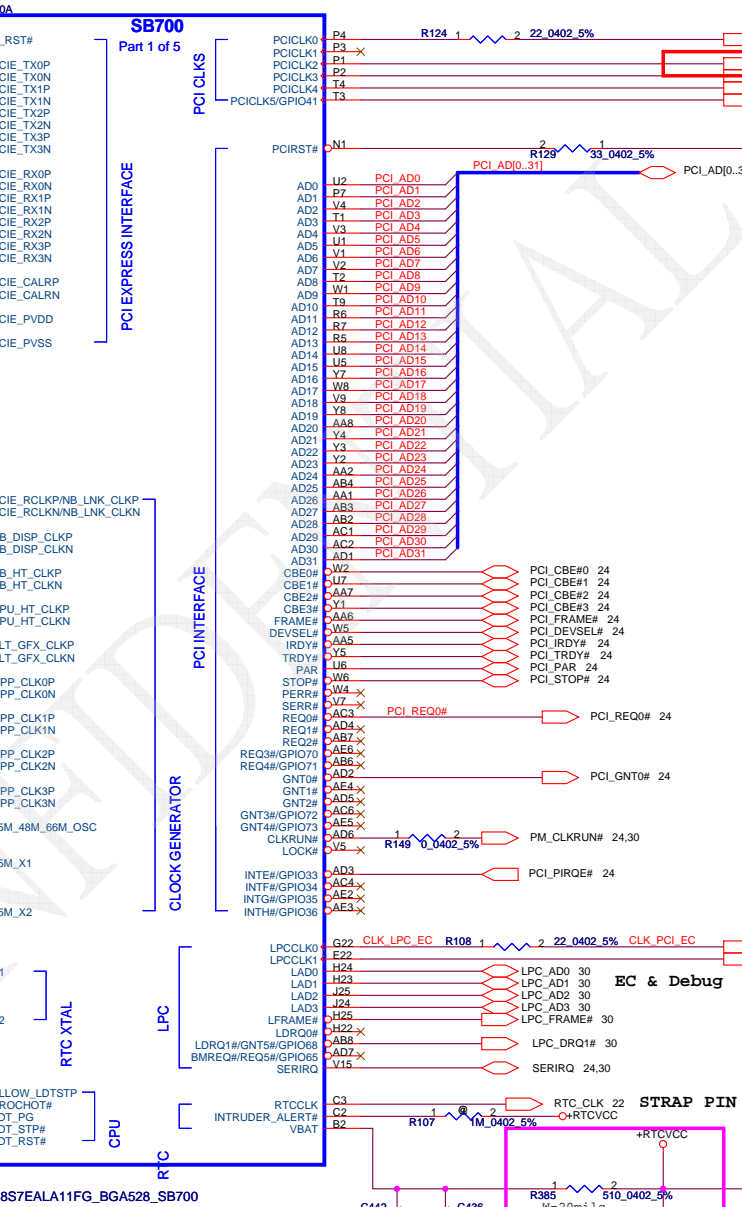
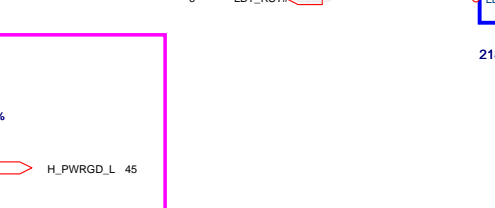
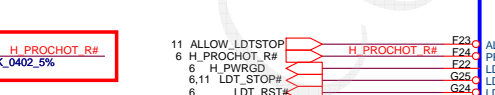
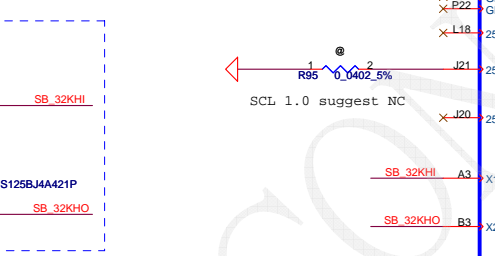
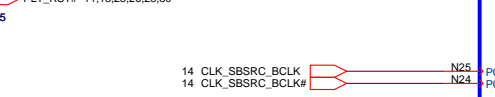
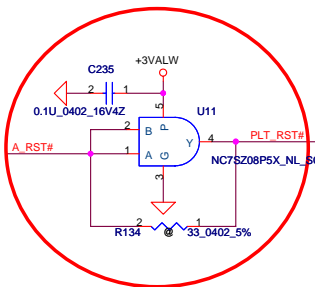
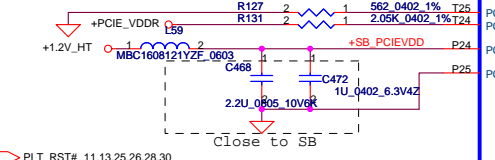
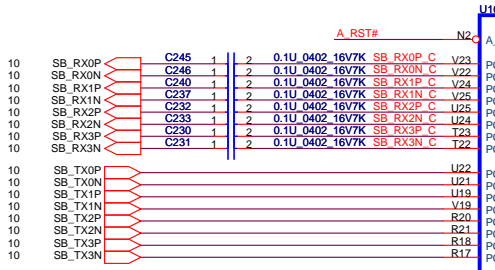
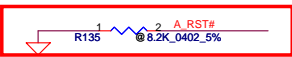
Security Classification		Compal Secret Data		Title	
Issued Date	2007/09/14	Deciphered Date	2007/12/25	Compal Electronics, Inc.	
THIS SHEET OF ENGINEERING DRAWING IS THE PROPRIETARY PROPERTY OF COMPAL ELECTRONICS, INC. AND CONTAINS CONFIDENTIAL AND TRADE SECRET INFORMATION. THIS SHEET MAY NOT BE TRANSFERRED FROM THE CUSTODY OF THE COMPETENT DIVISION OF R&D DEPARTMENT EXCEPT AS AUTHORIZED BY COMPAL ELECTRONICS, INC. NEITHER THIS SHEET NOR THE INFORMATION IT CONTAINS MAY BE USED BY OR DISCLOSED TO ANY THIRD PARTY WITHOUT PRIOR WRITTEN CONSENT OF COMPAL ELECTRONICS, INC.				Document Number	401561
Date:	Thursday, September 11, 2008	Sheet	16	of	48

CRT Connector



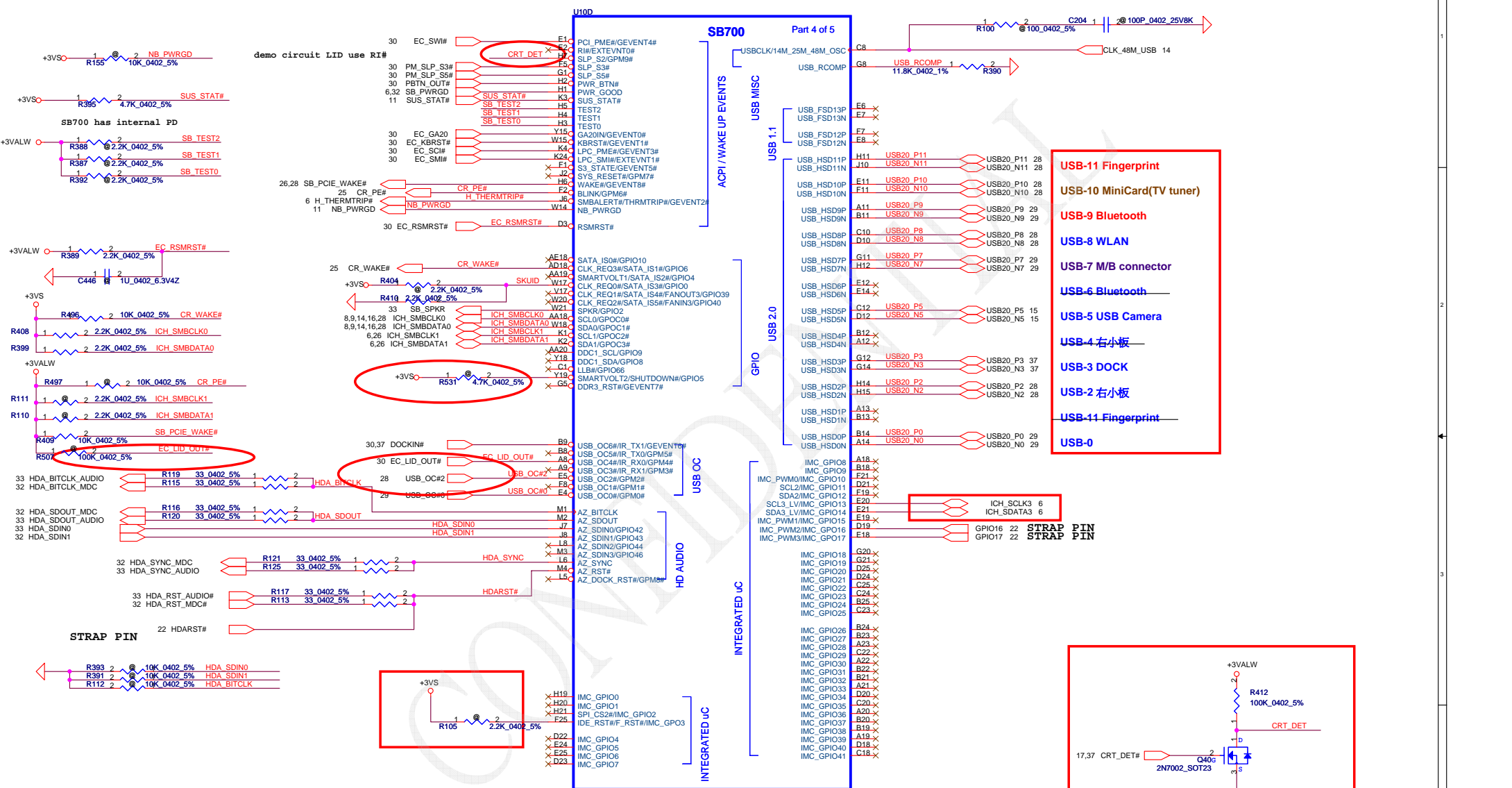
GMCH CRT_R R72	no docking@	0.0402_5%	CRT_R
GMCH CRT_G R73	no docking@	0.0402_5%	CRT_G
GMCH CRT_B R70	no docking@	0.0402_5%	CRT_B

Security Classification		Compal Secret Data		Compal Electronics, Inc.	
Issued Date	2007/09/14	Deciphered Date	2007/12/25	Title	
THIS SHEET OF ENGINEERING DRAWING IS THE PROPRIETARY PROPERTY OF COMPAL ELECTRONICS, INC. AND CONTAINS CONFIDENTIAL AND TRADE SECRET INFORMATION. THIS SHEET MAY NOT BE TRANSFERRED FROM THE CUSTODY OF THE COMPETENT DIVISION OF R&D DEPARTMENT EXCEPT AS AUTHORIZED BY COMPAL ELECTRONICS, INC. NEITHER THIS SHEET NOR THE INFORMATION IT CONTAINS MAY BE USED BY OR DISCLOSED TO ANY THIRD PARTY WITHOUT PRIOR WRITTEN CONSENT OF COMPAL ELECTRONICS, INC.				Document Number	Rev
				401561	E
				Date: Thursday, September 11, 2008	Sheet 17 of 48

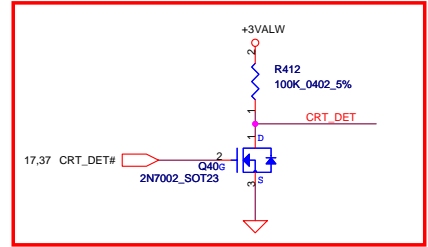


Security Classification	Compal Secret Data		Title
Issued Date	2007/09/14	Deciphered Date	2008/08/02
THIS SHEET OF ENGINEERING DRAWING IS THE PROPRIETARY PROPERTY OF COMPAL ELECTRONICS, INC. AND CONTAINS CONFIDENTIAL AND TRADE SECRET INFORMATION. THIS SHEET MAY NOT BE TRANSFERRED FROM THE CUSTODY OF THE COMPETENT DIVISION OF R&D DEPARTMENT EXCEPT AS AUTHORIZED BY COMPAL ELECTRONICS, INC. NEITHER THIS SHEET NOR THE INFORMATION IT CONTAINS MAY BE USED BY OR DISCLOSED TO ANY THIRD PARTY WITHOUT PRIOR WRITTEN CONSENT OF COMPAL ELECTRONICS, INC.			
Document Number			401561
Date:			Thursday, September 11, 2008

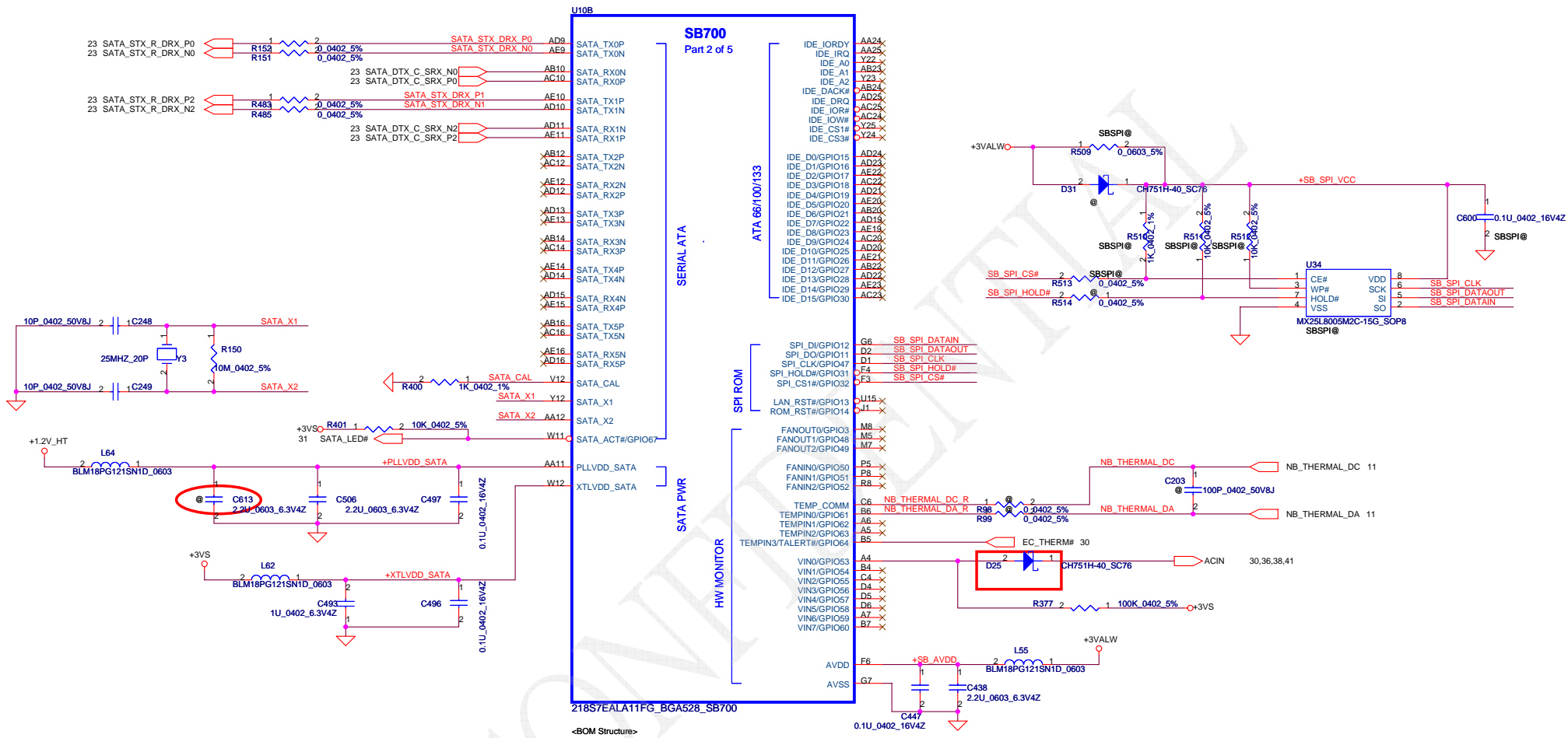
level shift to ISL6265



- USB-11 Fingerprint
- USB-10 MiniCard(TV tuner)
- USB-9 Bluetooth
- USB-8 WLAN
- USB-7 M/B connector
- USB-6 Bluetooth
- USB-5 USB Camera
- USB-4 右小板
- USB-3 DOCK
- USB-2 右小板
- USB-11 Fingerprint
- USB-0

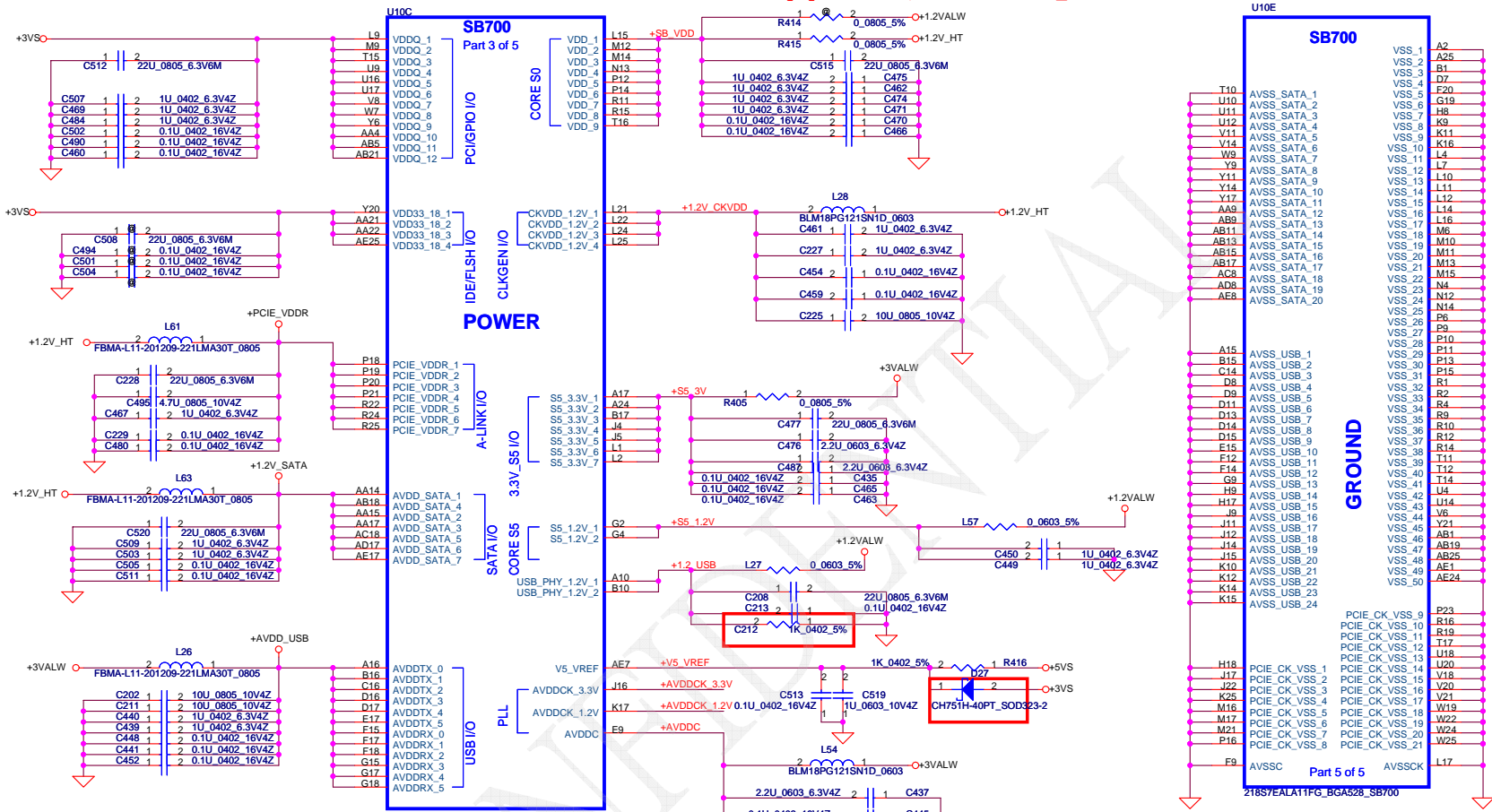


Security Classification	Compal Secret Data			Title	
Issued Date	2007/09/14	Deciphered Date	2008/08/02	Schematics, M/B S4182	
THIS SHEET OF ENGINEERING DRAWING IS THE PROPRIETARY PROPERTY OF COMPAL ELECTRONICS, INC. AND CONTAINS CONFIDENTIAL AND TRADE SECRET INFORMATION. THIS SHEET IS NOT TO BE TRANSFERRED FROM THE CUSTODY OF THE COMPETENT DIVISION OF R&D DEPARTMENT EXCEPT AS AUTHORIZED BY COMPAL ELECTRONICS, INC. NEITHER THIS SHEET NOR THE INFORMATION IT CONTAINS MAY BE USED BY OR DISCLOSED TO ANY THIRD PARTY WITHOUT PRIOR WRITTEN CONSENT OF COMPAL ELECTRONICS, INC.					
Document Number	401561			Rev	E
Date:	Thursday, September 11, 2008	Sheet	19	of 48	



Security Classification	Compal Secret Data		Title	Compal Electronics, Inc.	
Issued Date	2007/09/14	Deciphered Date	2008/08/02	Schematics, M/B S4182	
THIS SHEET OF ENGINEERING DRAWING IS THE PROPRIETARY PROPERTY OF COMPAL ELECTRONICS, INC. AND CONTAINS CONFIDENTIAL AND TRADE SECRET INFORMATION. THIS SHEET MAY NOT BE TRANSFERRED FROM THE CUSTODY OF THE COMPETENT DIVISION OF R&D DEPARTMENT EXCEPT AS AUTHORIZED BY COMPAL ELECTRONICS, INC. NEITHER THIS SHEET NOR THE INFORMATION IT CONTAINS MAY BE USED BY OR DISCLOSED TO ANY THIRD PARTY WITHOUT PRIOR WRITTEN CONSENT OF COMPAL ELECTRONICS, INC.					
Date:	Thursday, September 11, 2008	Sheet	20	of	48

FOR Version All pop 1.2VALW, A12 use 1.2V_HT



218S7EALA11FG_BGA528_SB700

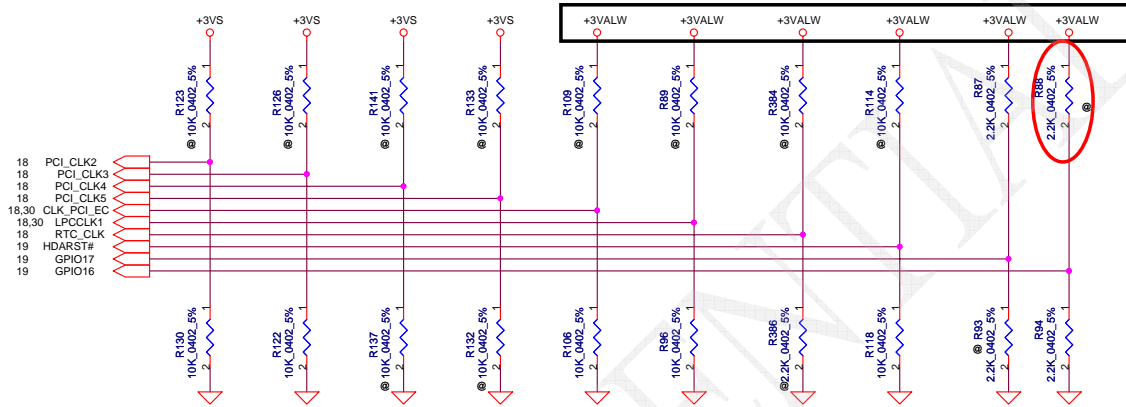
<-BOM Structure>

Security Classification		Compal Secret Data		Title	
Issued Date	2007/09/14	Deciphered Date	2008/08/02	Schematics, M/B S4182	
THIS SHEET OF ENGINEERING DRAWING IS THE PROPRIETARY PROPERTY OF COMPAL ELECTRONICS, INC. AND CONTAINS CONFIDENTIAL AND TRADE SECRET INFORMATION. THIS SHEET MAY NOT BE TRANSFERRED FROM THE CUSTODY OF THE COMPETENT DIVISION OF R&D DEPARTMENT EXCEPT AS AUTHORIZED BY COMPAL ELECTRONICS, INC. NEITHER THIS SHEET NOR THE INFORMATION IT CONTAINS MAY BE USED BY OR DISCLOSED TO ANY THIRD PARTY WITHOUT PRIOR WRITTEN CONSENT OF COMPAL ELECTRONICS, INC.				Document Number	401561
Date:	Thursday, September 11, 2008	Sheet	21	of	48

REQUIRED STRAPS

NOTE: SB700 HAS INTERNAL 15K PULL UP RESISTOR FOR RTC_CLK

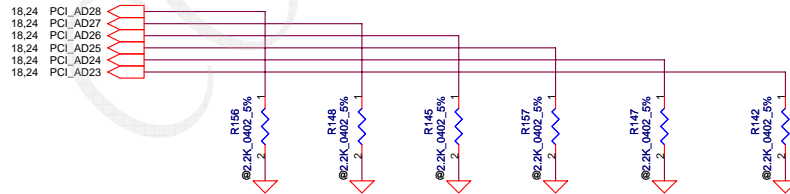
	PCI_CLK2	PCI_CLK3	PCI_CLK4	PCI_CLK5	LPC_CLK0 CLK_PCI_EC	LPC_CLK1	RTC_CLK	AZ_RST_CD#	GP17	GP16
PULL HIGH	BOOTFAIL TIMER ENABLED	USE DEBUG STRAPS	RESERVED	RESERVED	ENABLE PCI MEM BOOT	CLKGEN ENABLED	INTERNAL RTC DEFAULT	EC ENABLED	Internal pull up H,H = Reserved H,L = SPI ROM	
PULL LOW	BOOTFAIL TIMER DISABLED DEFAULT	IGNORE DEBUG STRAPS DEFAULT			DISABLE PCI MEM BOOT DEFAULT	CLKGEN DISABLED DEFAULT	EXT. RTC (PD on X1, apply 32KHz to RTC_CLK)	EC DISABLED DEFAULT		L,H = LPC ROM (Default L,NC) L,L = FWH ROM



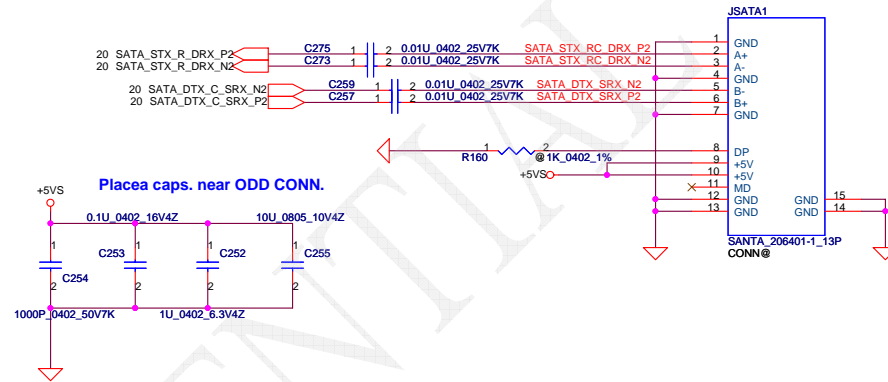
DEBUG STRAPS

SB700 HAS 15K INTERNAL PU FOR PCI_AD[28:23]

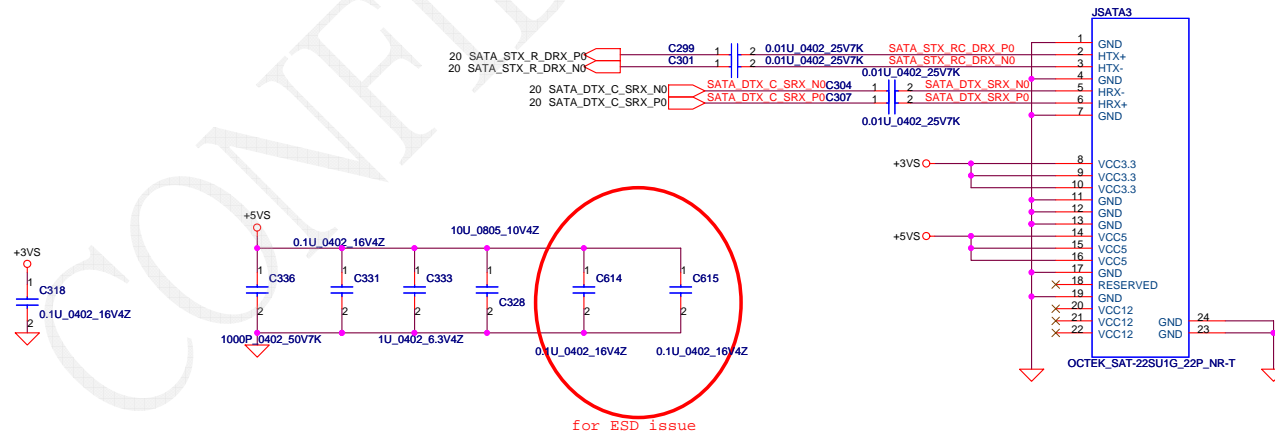
	PCI_AD28	PCI_AD27	PCI_AD26	PCI_AD25	PCI_AD24	PCI_AD23
PULL HIGH	USE LONG RESET DEFAULT	USE PCI PLL DEFAULT	USE ACPI BCLK DEFAULT	USE IDE PLL DEFAULT	USE DEFAULT PCIE STRAPS DEFAULT	RESERVED
PULL LOW	USE SHORT RESET	BYPASS PCI PLL	BYPASS ACPI BCLK	BYPASS IDE PLL	USE EEPROM PCIE STRAPS	



SATA ODD Conn.



SATA HDD Conn.

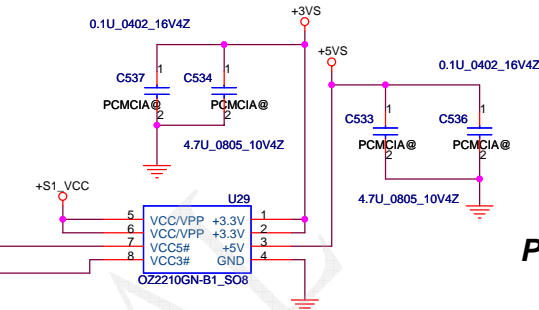
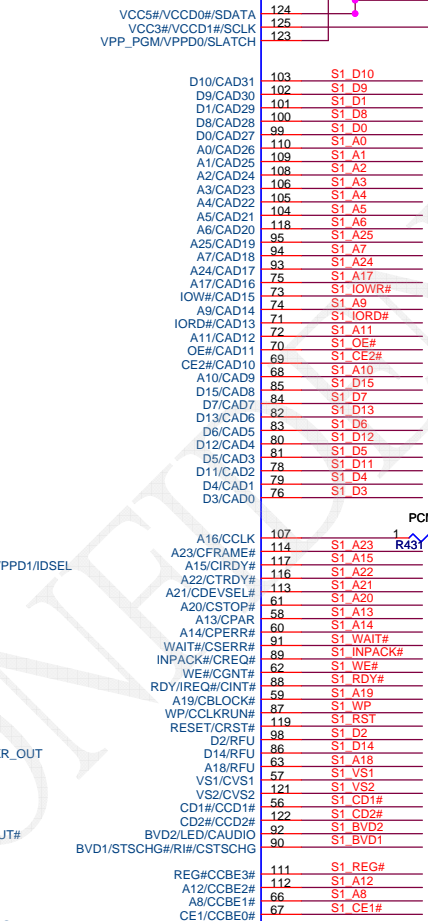
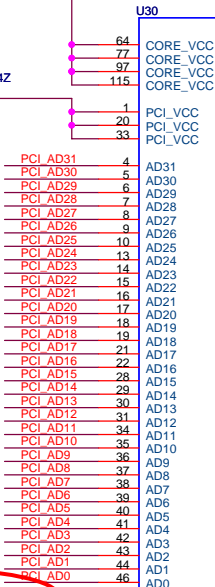
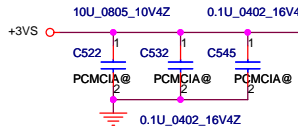
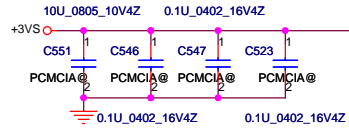


Security Classification	Compal Secret Data		Title	
Issued Date	2007/09/14	Deciphered Date	2007/12/25	Compal Electronics, Inc.
THIS SHEET OF ENGINEERING DRAWING IS THE PROPRIETARY PROPERTY OF COMPAL ELECTRONICS, INC. AND CONTAINS CONFIDENTIAL AND TRADE SECRET INFORMATION. THIS SHEET MAY NOT BE TRANSFERRED FROM THE CUSTODY OF THE COMPETENT DIVISION OF R&D DEPARTMENT EXCEPT AS AUTHORIZED BY COMPAL ELECTRONICS, INC. NEITHER THIS SHEET NOR THE INFORMATION IT CONTAINS MAY BE USED BY OR DISCLOSED TO ANY THIRD PARTY WITHOUT PRIOR WRITTEN CONSENT OF COMPAL ELECTRONICS, INC.				Document Number 401561
Date: Thursday, September 11, 2008				Rev E
Sheet 23 of 48				

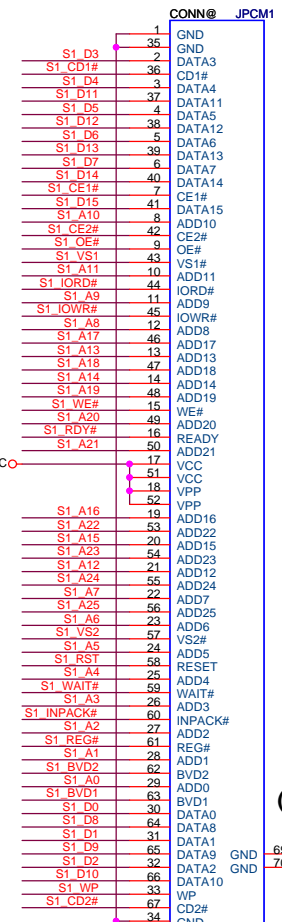
18,22 PCI_AD[0..31] PCI_AD[0..31]

18 PCI_CBE#[0..3] PCI_CBE#[0..3]

IDSEL SELECT POWER-ON-STRAPPING
(SEE NOTE & TABLE FOR OPTIONS)



PCMCIA Socket



(NEW)

4 IN 1 Socket (HDQ70)

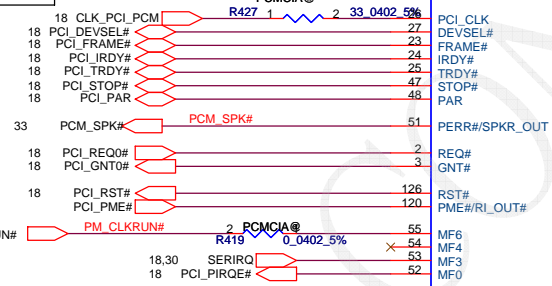
SANTA_130601-7.LT

NOTE: IDSEL SELECTION!

THIS DEVICE UTILIZES A "SELECTABLE IDSEL" SCHEME. IDSEL CAN BE CONNECTED INTERNALLY TO ONE OF THREE PCI AD LINES OR EXTERNAL IDSEL SIGNAL.

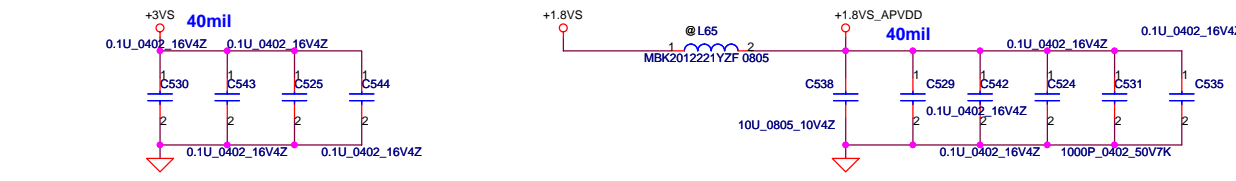
22K TO 47K PULL-UP & PULL-DOWN RESISTORS ARE REQUIRED TO BE CONNECTED TO PINS 123 & 124 TO SELECT ONE OF THE 4 POSSIBLE IDSEL CONNECTIONS. THE TABLE BELOW SHOWS THE 4 POSSIBLE COMBINATIONS.

VCC5# (124)	VPP_PGM (123)	IDSEL SELECT
DOWN	DOWN	AD18
DOWN	UP	AD20
UP	DOWN	AD25
UP	UP	INT# F4

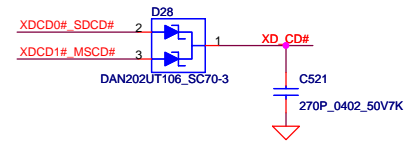
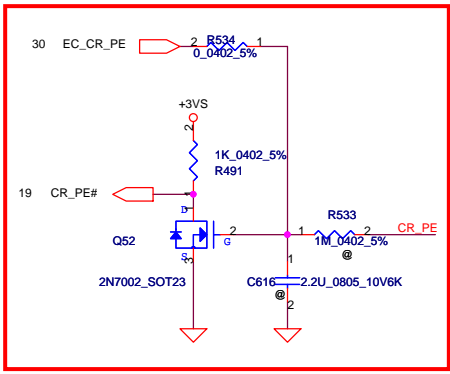
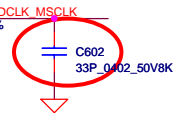
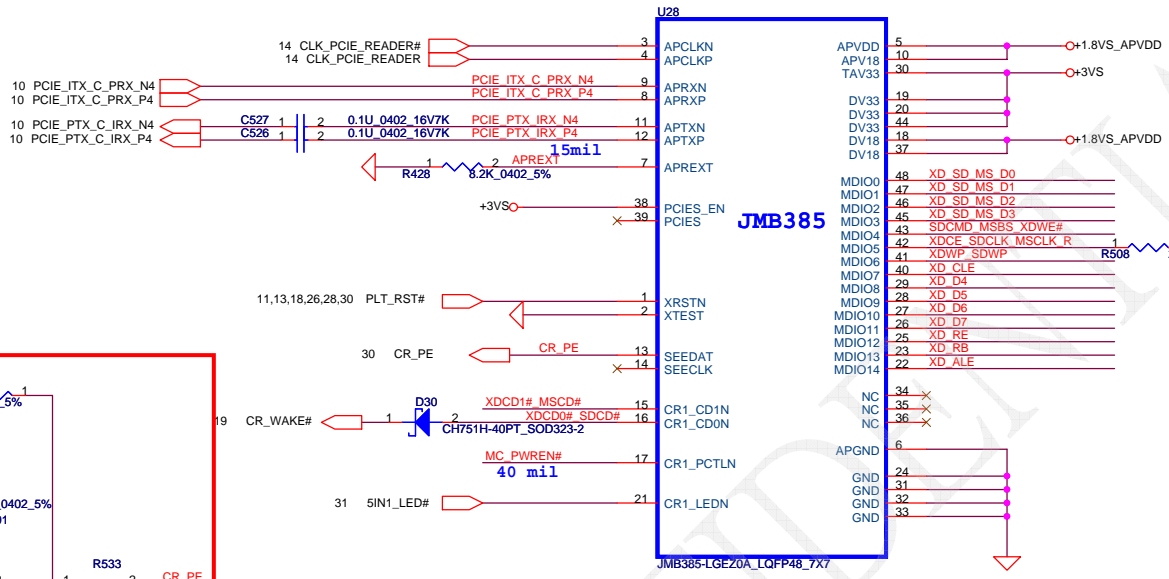
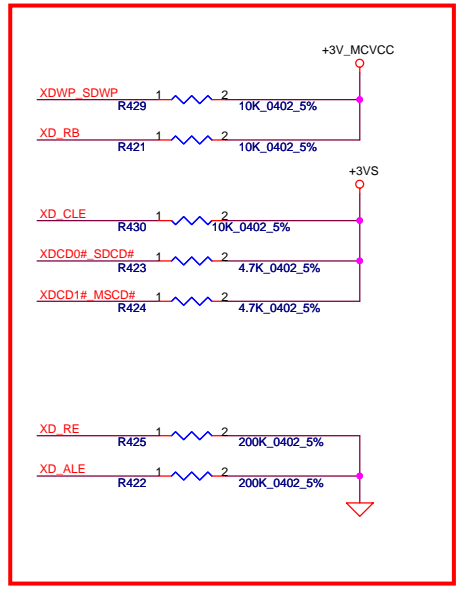


22K TO 47K PULL-UPS MUST BE PLACED ON INTA#, PME#, SERIRQ# & CLKRUN#.

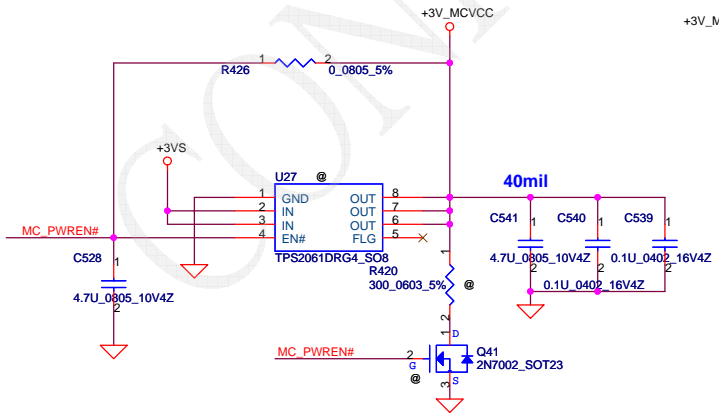
Security Classification		Compal Secret Data		Compal Electronics, Inc.	
Issued Date	2007/01/16	Deciphered Date	2008/01/16	Title	SCHMATIC, M/B S4182
THIS SHEET OF ENGINEERING DRAWING IS THE PROPRIETARY PROPERTY OF COMPAL ELECTRONICS, INC. AND CONTAINS CONFIDENTIAL AND TRADE SECRET INFORMATION. THIS SHEET MAY NOT BE TRANSFERRED FROM THE CUSTODY OF THE COMPETENT DIVISION OF R&D DEPARTMENT EXCEPT AS AUTHORIZED BY COMPAL ELECTRONICS, INC. NEITHER THIS SHEET NOR THE INFORMATION IT CONTAINS MAY BE USED BY OR DISCLOSED TO ANY THIRD PARTY WITHOUT PRIOR WRITTEN CONSENT OF COMPAL ELECTRONICS, INC.					
Size	Document Number	401561	Rev	E	
Custom	Date:	Thursday, September 11, 2008	Sheet	24	of 48



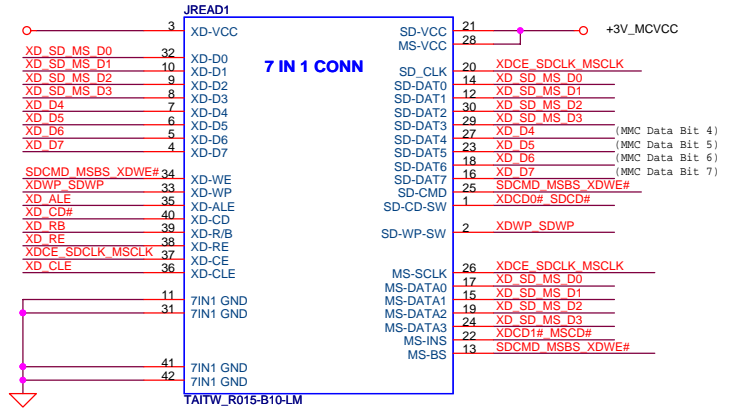
MDIO PULL HIGH/LOW ?



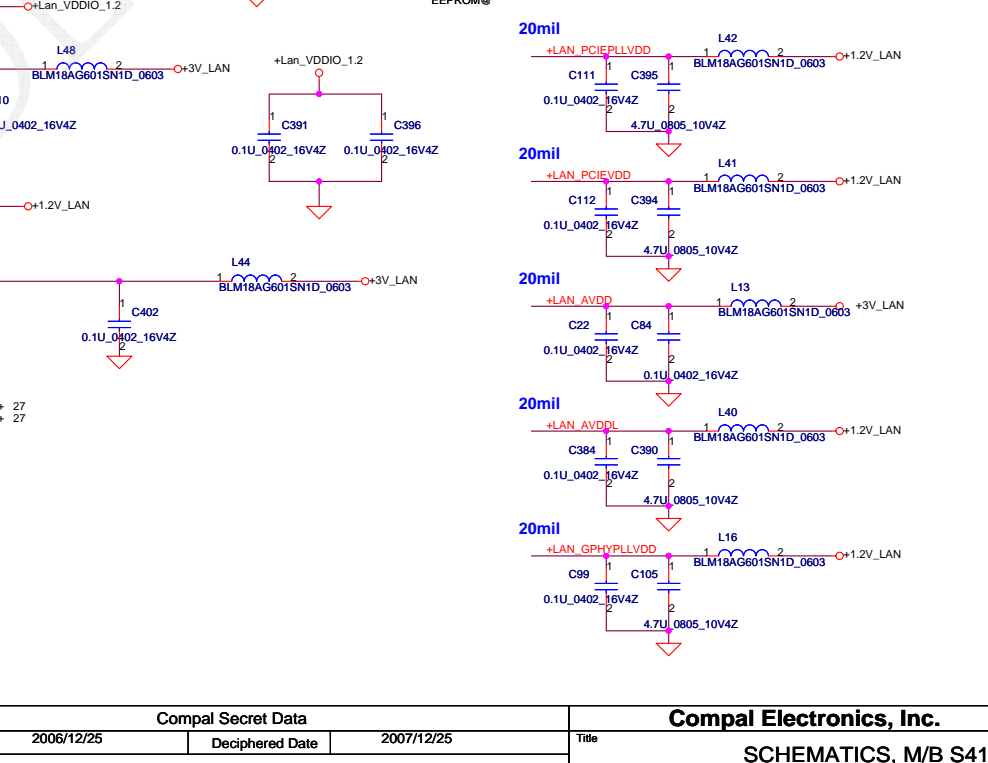
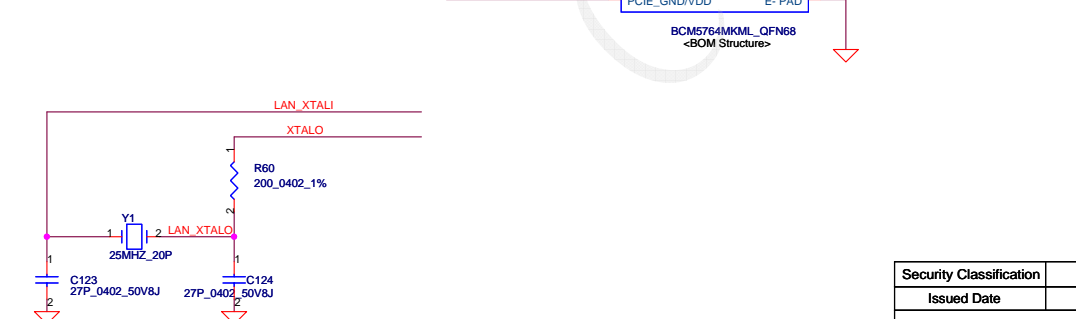
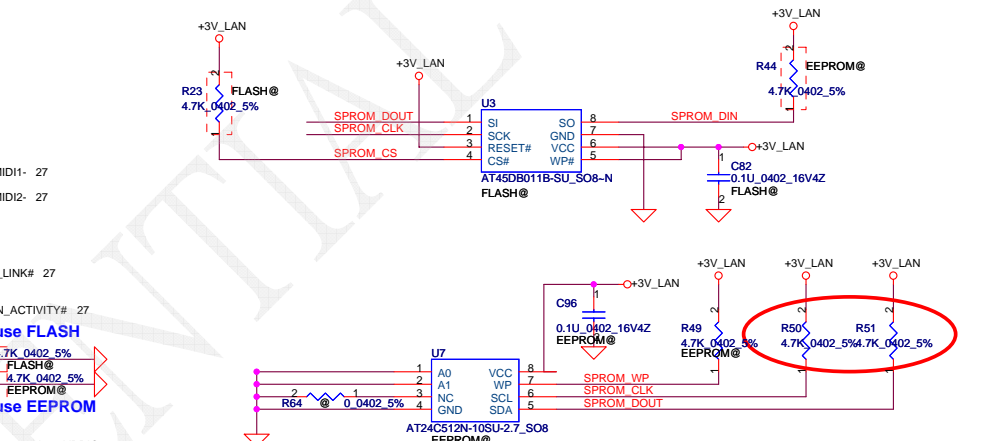
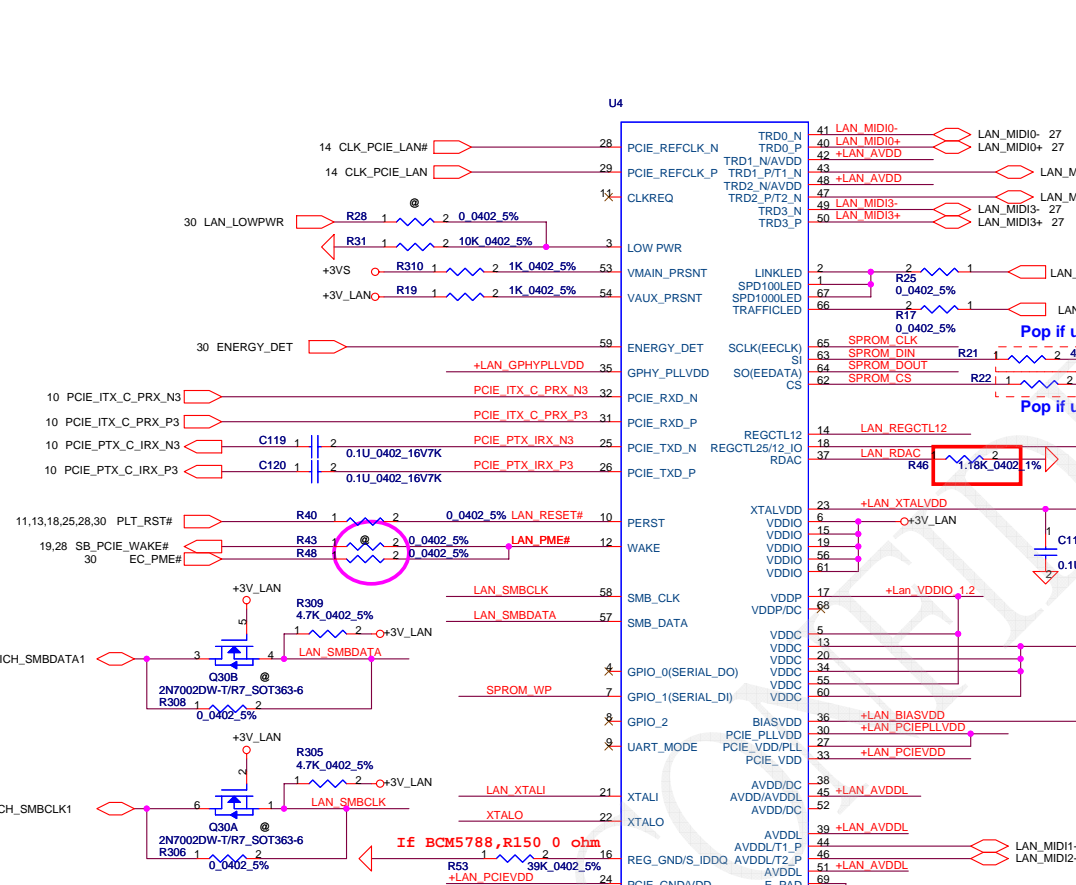
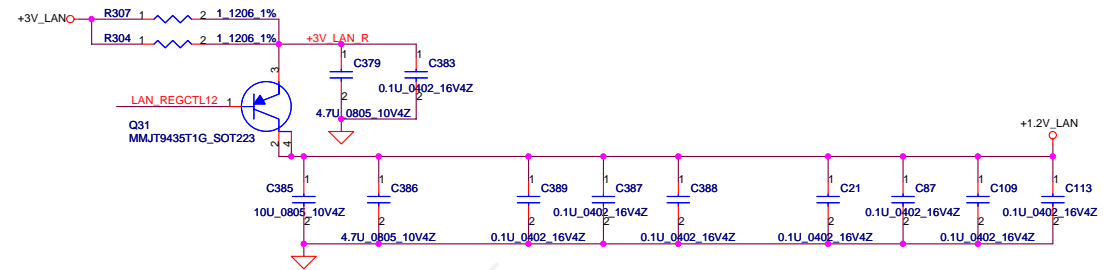
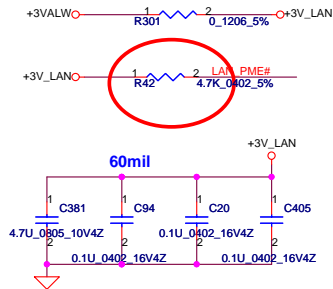
Memory Card Power Switch



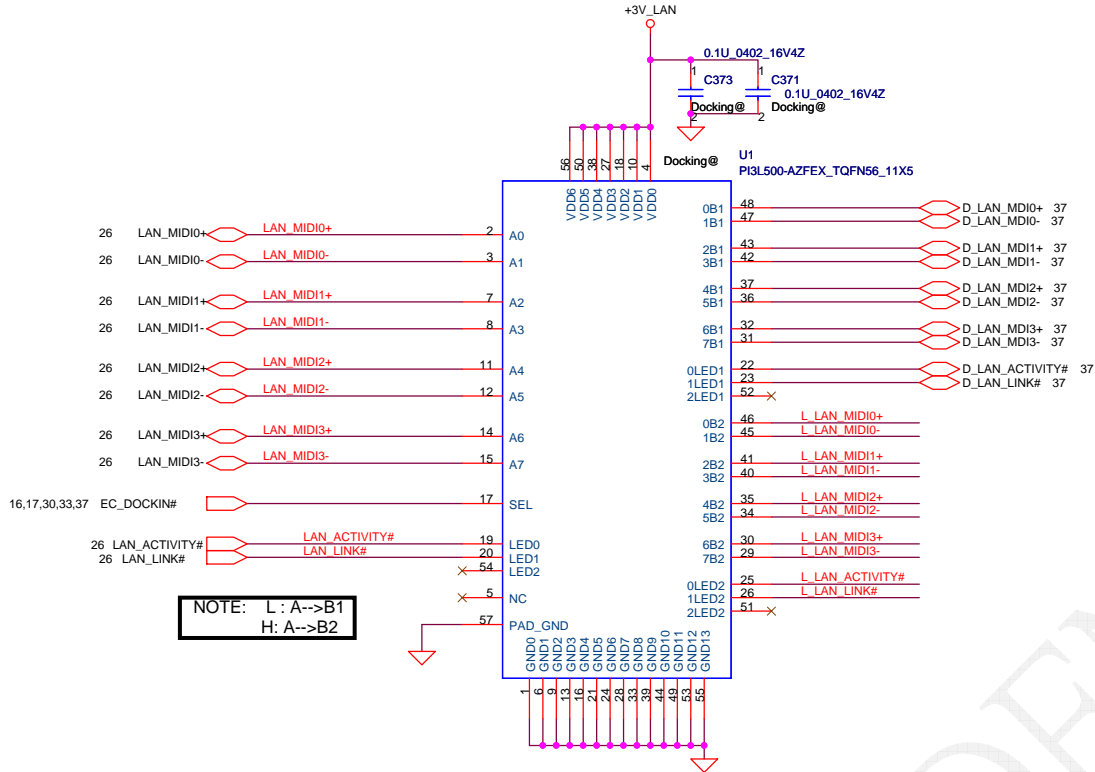
4 IN 1 Socket Push Type(New)



Security Classification		Compal Secret Data		Compal Electronics, Inc.	
Issued Date	2007/09/20	Deciphered Date	2008/09/20	Title	
THIS SHEET OF ENGINEERING DRAWING IS THE PROPRIETARY PROPERTY OF COMPAL ELECTRONICS, INC. AND CONTAINS CONFIDENTIAL AND TRADE SECRET INFORMATION. THIS SHEET MAY NOT BE TRANSFERRED FROM THE CUSTODY OF THE COMPETENT PERSONNEL OF R&D DEPARTMENT EXCEPT AS AUTHORIZED BY COMPAL ELECTRONICS, INC. NEITHER THIS SHEET NOR THE INFORMATION IT CONTAINS MAY BE USED BY OR DISCLOSED TO ANY THIRD PARTY WITHOUT PRIOR WRITTEN CONSENT OF COMPAL ELECTRONICS, INC.				Document Number	Rev E
				401561	
				Date: Thursday, September 11, 2008	Sheet 25 of 48

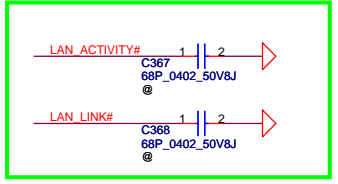
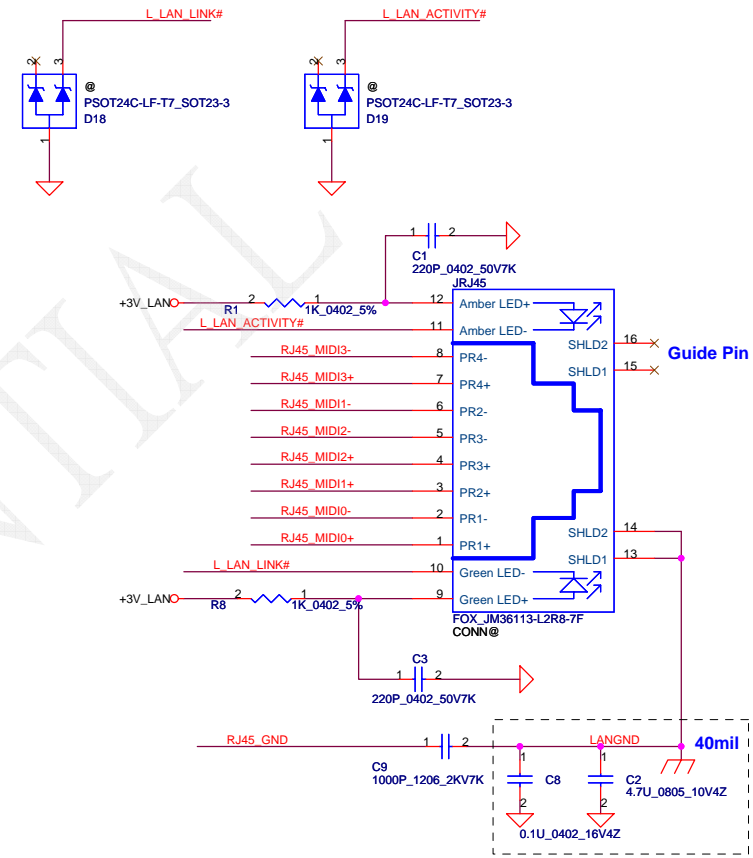
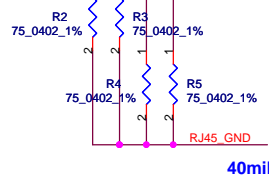
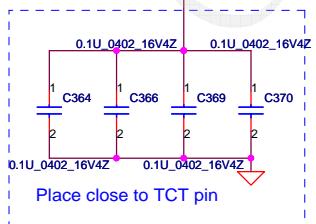
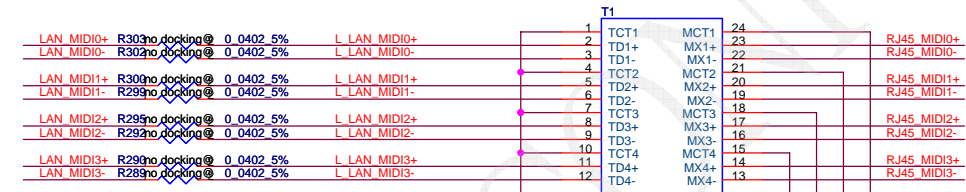


Security Classification		Compal Secret Data		Compal Electronics, Inc.	
Issued Date	2006/12/25	Deciphered Date	2007/12/25	Title	
				SCHEMATICS, M/B S4182	
THIS SHEET OF ENGINEERING DRAWING IS THE PROPRIETARY PROPERTY OF COMPAL ELECTRONICS, INC. AND CONTAINS CONFIDENTIAL AND TRADE SECRET INFORMATION. THIS SHEET MAY NOT BE TRANSFERRED FROM THE CUSTODY OF THE COMPETENT DIVISION OF RAISE DEPARTMENT EXCEPT AS AUTHORIZED BY COMPAL ELECTRONICS, INC. NEITHER THIS SHEET NOR THE INFORMATION IT CONTAINS MAY BE USED BY OR DISCLOSED TO ANY THIRD PARTY WITHOUT PRIOR WRITTEN CONSENT OF COMPAL ELECTRONICS, INC.					
Customer	Document Number	Date		Sheet	Rev
401561	401561	Thursday, September 11, 2008		26	E
				of	48



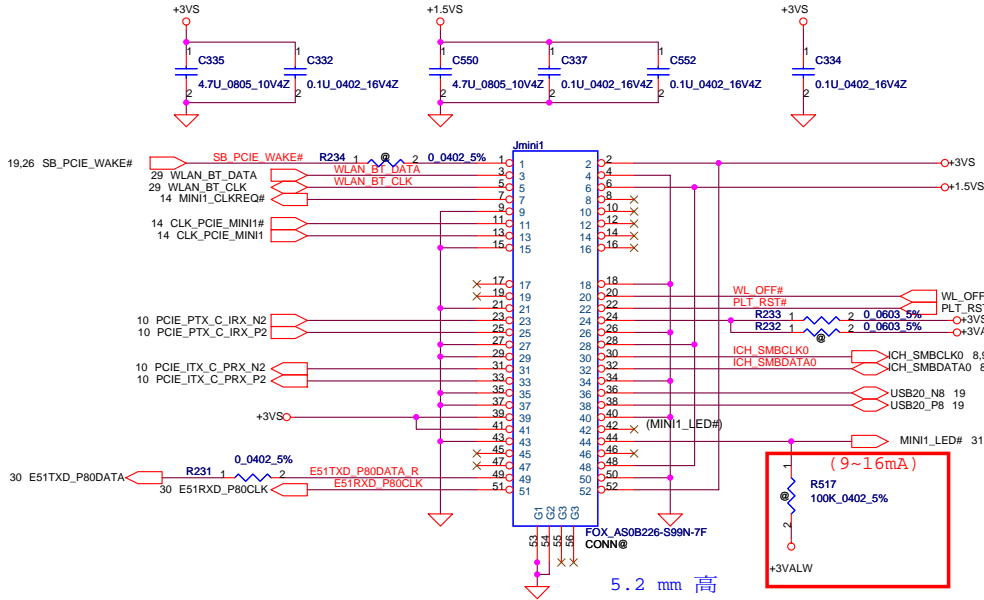
NOTE: L: A-->B1
H: A-->B2

LAN_ACTIVITY# R481 no docking@ 0.0402_5% LAN_ACTIVITY#
LAN_LINK# R482 no docking@ 0.0402_5% LAN_LINK#

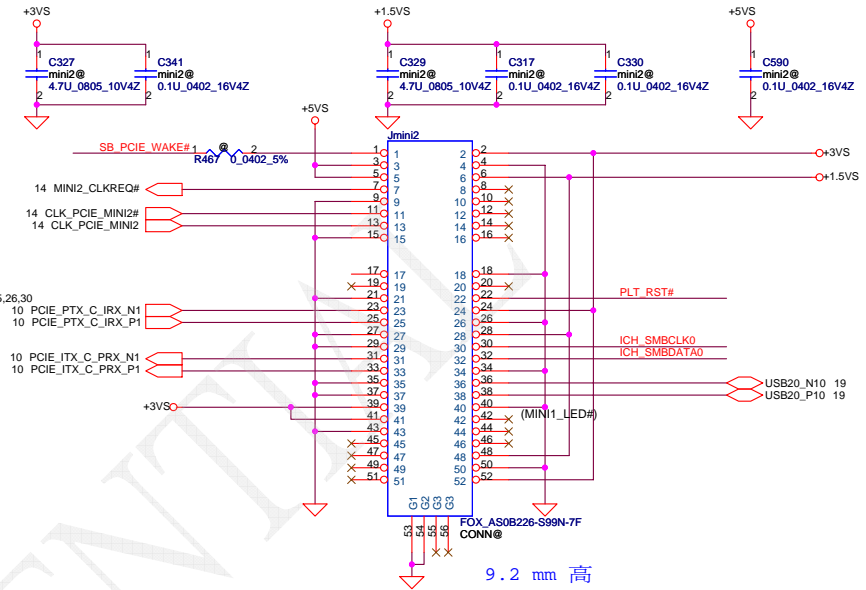


Security Classification		Compal Secret Data		Compal Electronics, Inc.	
Issued Date	2006/12/25	Deciphered Date	2007/12/25	Title	SCHMATICs, M/B S4182
THIS SHEET OF ENGINEERING DRAWING IS THE PROPRIETARY PROPERTY OF COMPAL ELECTRONICS, INC. AND CONTAINS CONFIDENTIAL AND TRADE SECRET INFORMATION. THIS SHEET MAY NOT BE TRANSFERRED FROM THE CUSTODY OF THE COMPETENT DIVISION OF R&D DEPARTMENT EXCEPT AS AUTHORIZED BY COMPAL ELECTRONICS, INC. NEITHER THIS SHEET NOR THE INFORMATION IT CONTAINS MAY BE USED BY OR DISCLOSED TO ANY THIRD PARTY WITHOUT PRIOR WRITTEN CONSENT OF COMPAL ELECTRONICS, INC.					
Size	Document Number	Customer	Rev		
	401561		E		
Date:	Thursday, September 11, 2008	Sheet	27	of 48	

For Wireless LAN

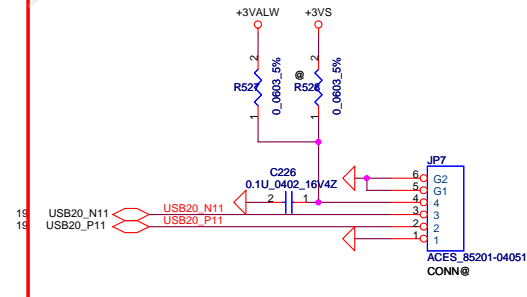


For TV-Tuner/HW MPEG

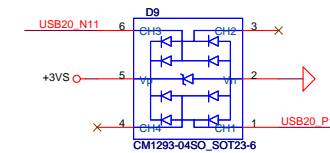
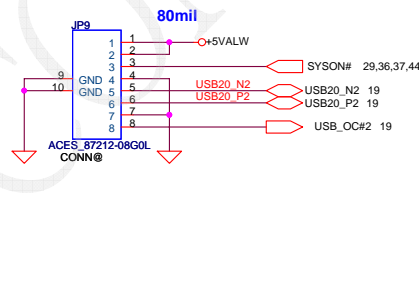


Mini Card Power Rating			
Power	Primary Power (mA)		Auxiliary Power (mA)
	Peak	Normal	Normal
+3VS	1000	750	
+3V	330	250	250 (wake enable)
+1.5VS	500	375	5 (Not wake enable)

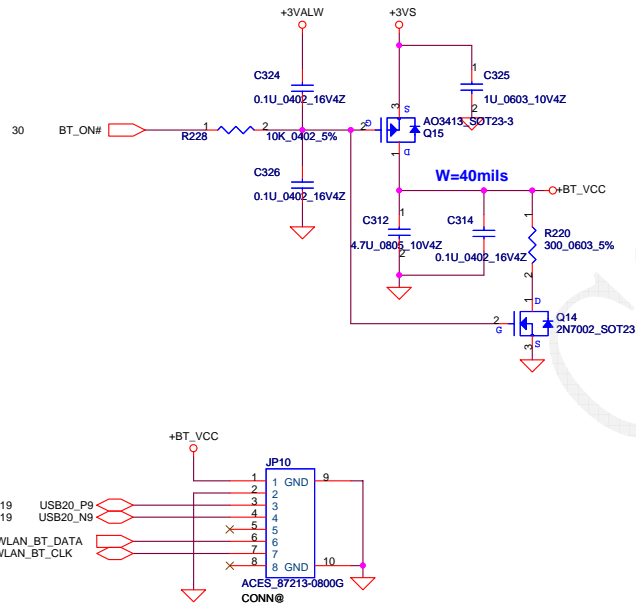
Fingerprint Conn



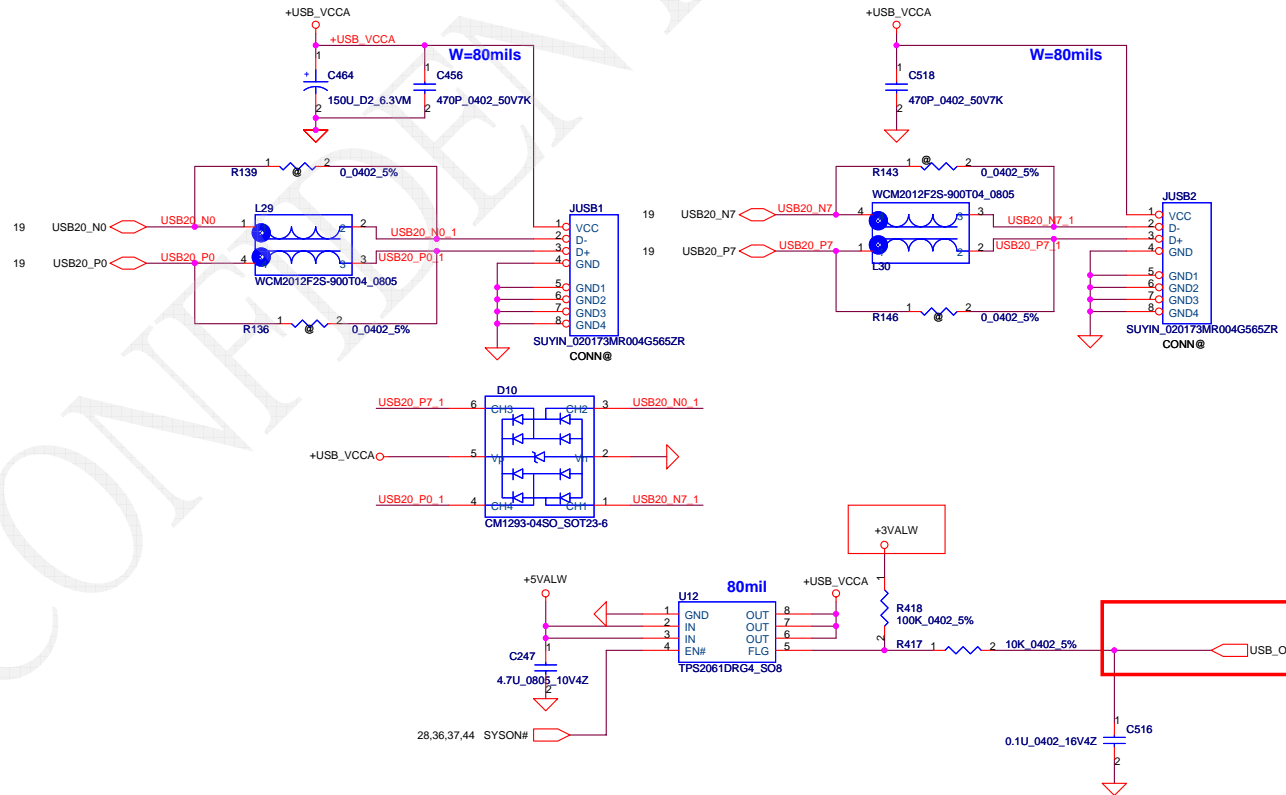
To USB/B Connector



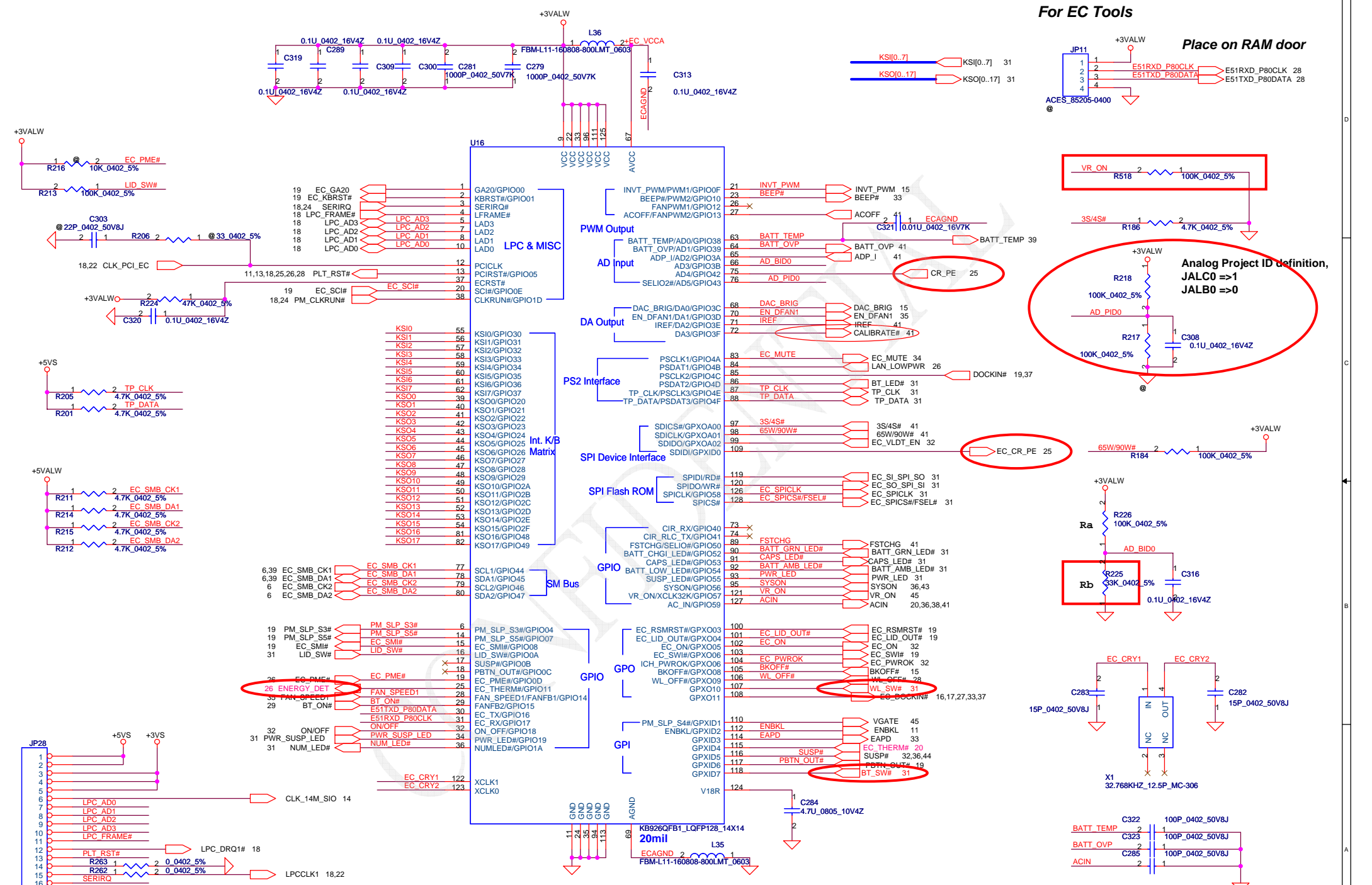
Bluetooth Conn.



for 線材, 7, 8pin不打

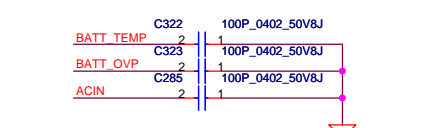
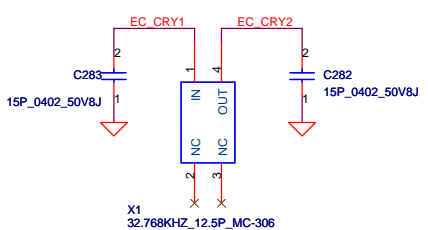
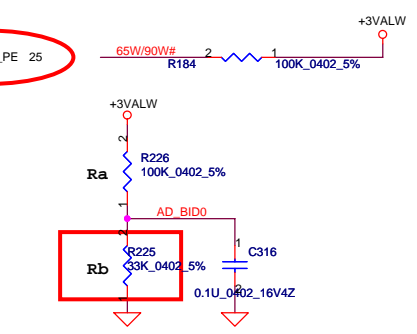
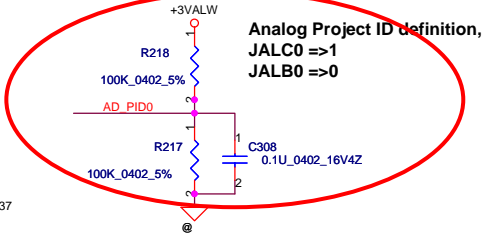
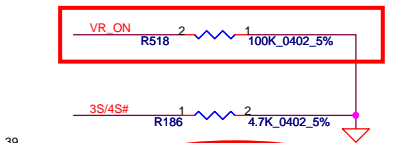
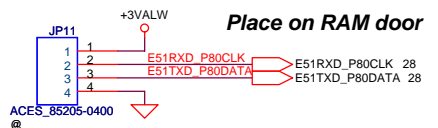


Security Classification	Compal Secret Data			Compal Electronics, Inc.		
Issued Date	2007/09/14	Deciphered Date	2007/12/25	Title		
THIS SHEET OF ENGINEERING DRAWING IS THE PROPRIETARY PROPERTY OF COMPAL ELECTRONICS, INC. AND CONTAINS CONFIDENTIAL AND TRADE SECRET INFORMATION. THIS SHEET MAY NOT BE TRANSFERRED FROM THE CUSTODY OF THE COMPETENT DIVISION OF R&D DEPARTMENT EXCEPT AS AUTHORIZED BY COMPAL ELECTRONICS, INC. NEITHER THIS SHEET NOR THE INFORMATION IT CONTAINS MAY BE USED BY OR DISCLOSED TO ANY THIRD PARTY WITHOUT PRIOR WRITTEN CONSENT OF COMPAL ELECTRONICS, INC.				SHEMATICS, M/B S4182		
				Document Number	Rev	
				401561	E	
				Date:	Thursday, September 11, 2008	
				Sheet	29 of 48	



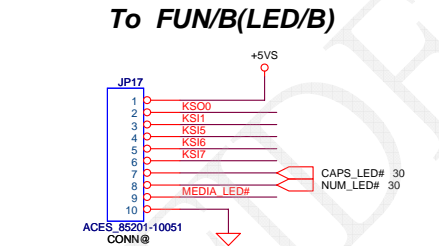
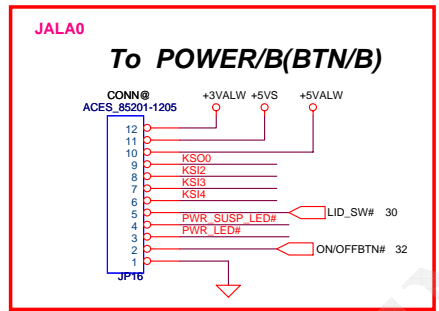
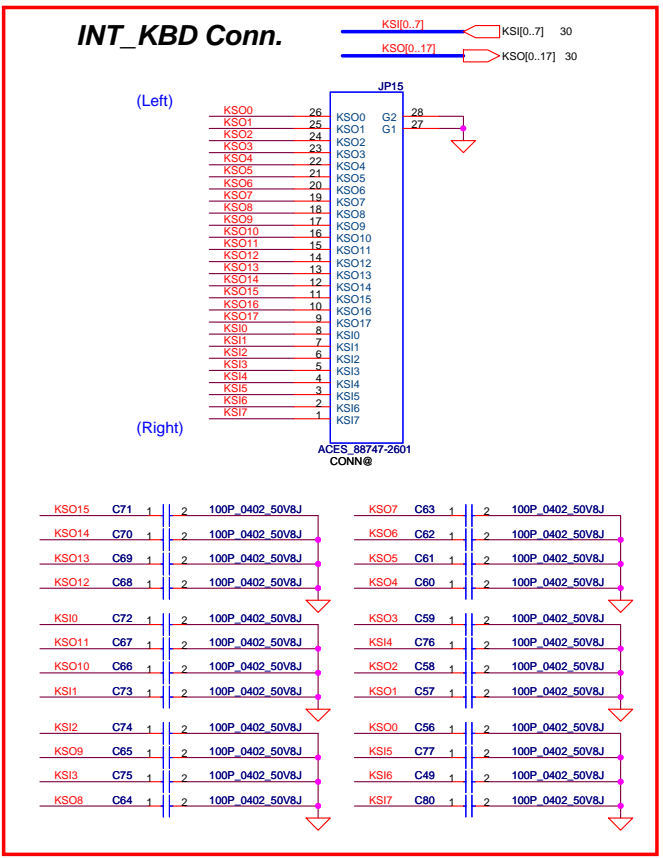
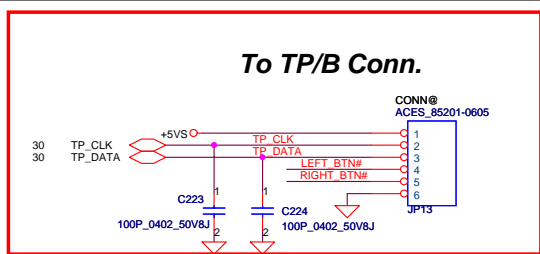
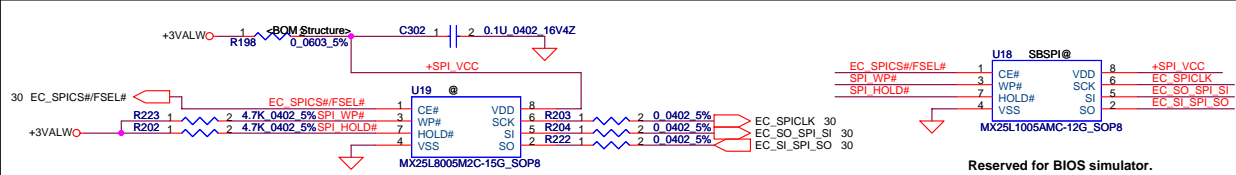
For EC Tools

Place on RAM door

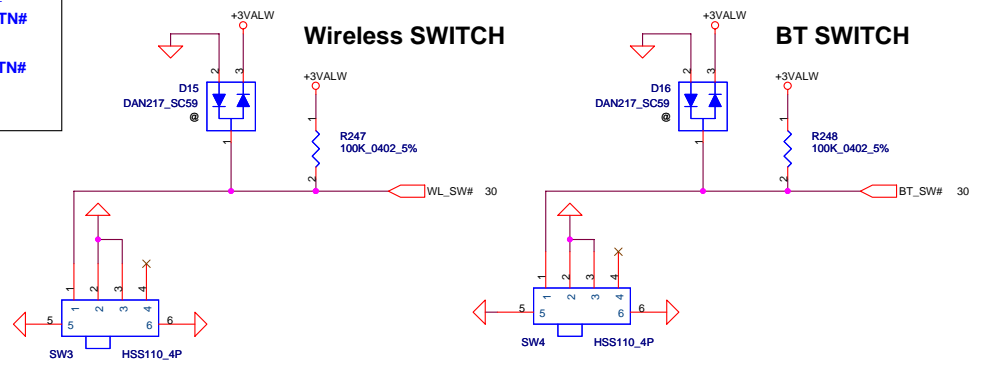
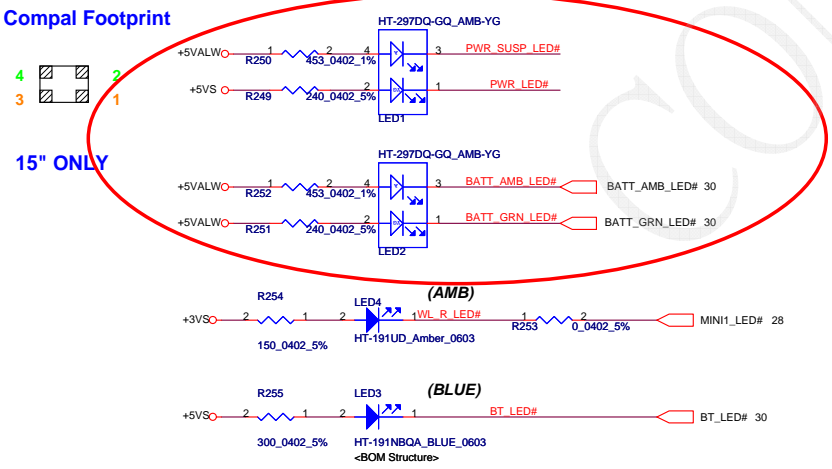
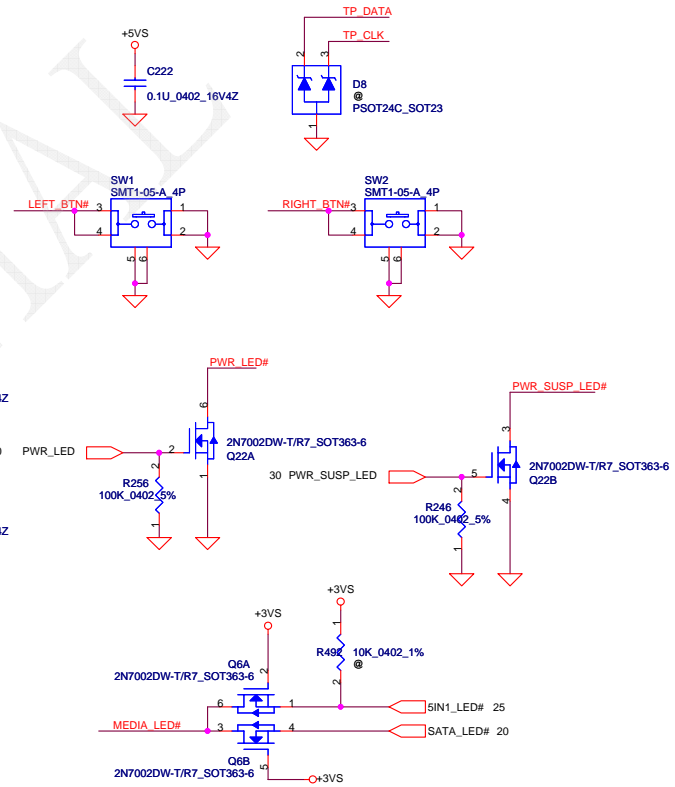


Security Classification		Compal Secret Data		Compal Electronics, Inc.	
Issued Date	2007/09/14	Deciphered Date	2007/12/25	Title	
THIS SHEET OF ENGINEERING DRAWING IS THE PROPRIETARY PROPERTY OF COMPAL ELECTRONICS, INC. AND CONTAINS CONFIDENTIAL AND TRADE SECRET INFORMATION. THIS SHEET MAY NOT BE TRANSFERRED FROM THE CUSTODY OF THE COMPETENT DIVISION OF DEPARTMENT EXCEPT AS AUTHORIZED BY COMPAL ELECTRONICS, INC. NEITHER THIS SHEET NOR THE INFORMATION IT CONTAINS MAY BE USED BY OR DISCLOSED TO ANY THIRD PARTY WITHOUT PRIOR WRITTEN CONSENT OF COMPAL ELECTRONICS, INC.				Document Number	Rev
				401561	E
				Date: Thursday, September 11, 2008	Sheet 30 of 48

ACES_85201-20051



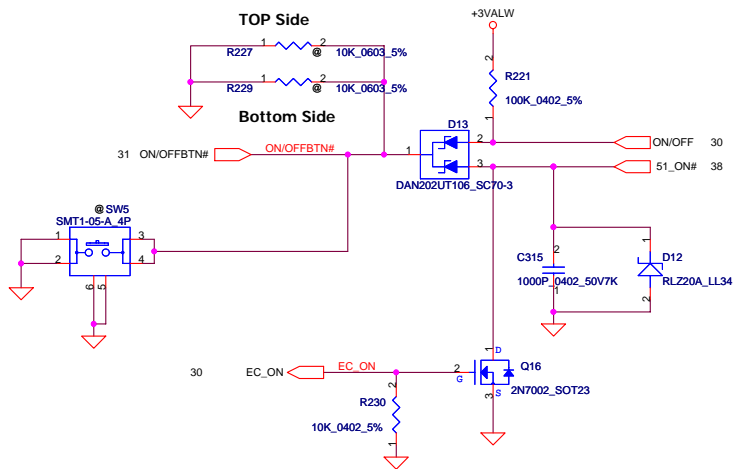
	KSO0
KSI1	PRESENTATION
KSI2	Program_BTN#
KSI3	EMAIL_BTN#
KSI4	IE_BTN#
KSI5	E-KEY_BTN#
KSI6	SYNC
KSI7	LOCK



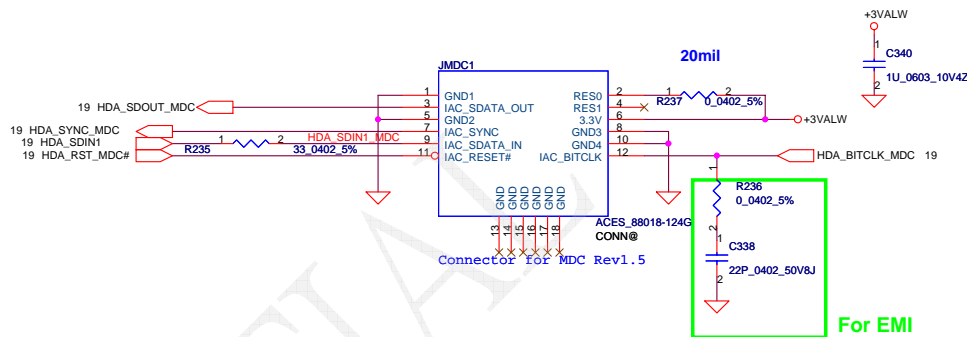
Security Classification		Compal Secret Data		Compal Electronics, Inc.	
Issued Date	2007/09/14	Deciphered Date	2007/12/25	Title	
				SCHEMATICS, M/B S4182	
THIS SHEET OF ENGINEERING DRAWING IS THE PROPRIETARY PROPERTY OF COMPAL ELECTRONICS, INC. AND CONTAINS CONFIDENTIAL AND TRADE SECRET INFORMATION. THIS SHEET MAY NOT BE TRANSFERRED FROM THE CUSTODY OF THE COMPETENT DIVISION OF COMPAL ELECTRONICS, INC. NEITHER THIS SHEET NOR THE INFORMATION IT CONTAINS MAY BE USED BY OR DISCLOSED TO ANY THIRD PARTY WITHOUT PRIOR WRITTEN CONSENT OF COMPAL ELECTRONICS, INC.				Document Number	Rev
				401561	E
Date:	Thursday, September 11, 2008	Sheet	31	of	48

Power Button

ON/OFF switch

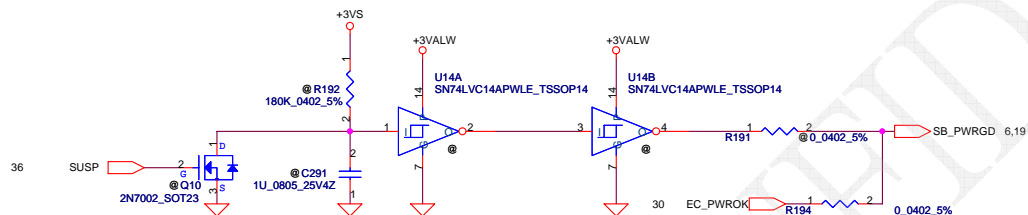


HDA MDC Conn.

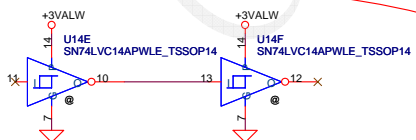
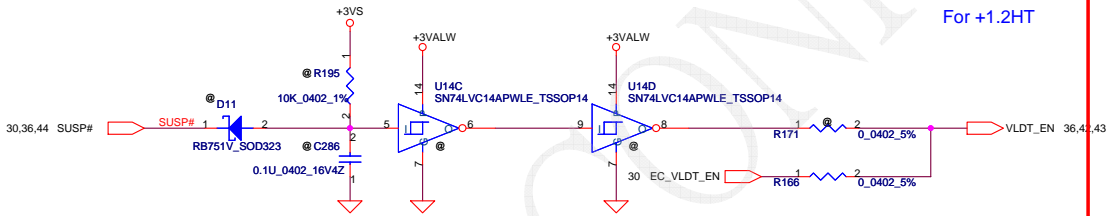


Power ON Circuit

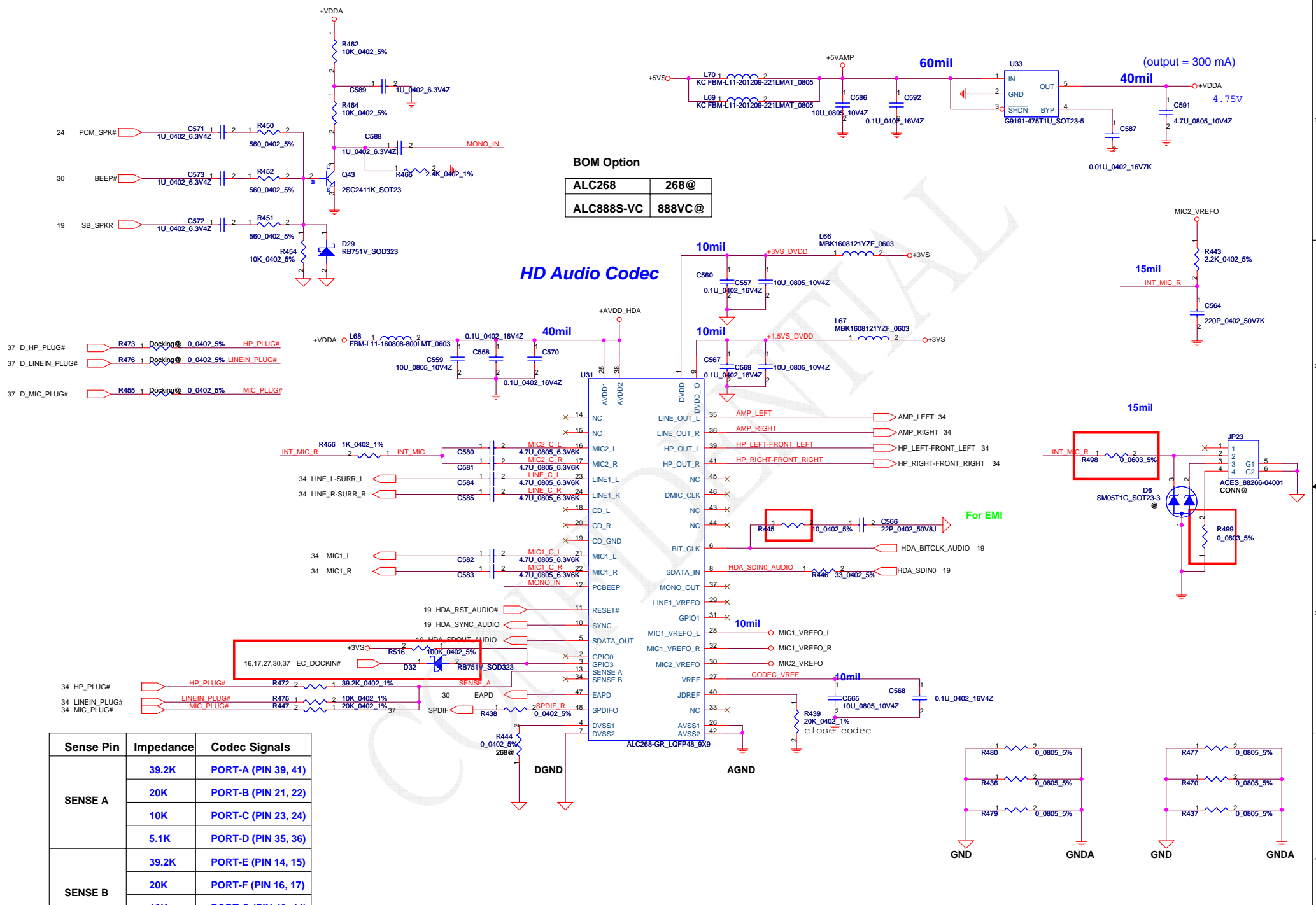
For South Bridge



For +1.2HT



Security Classification	Compal Secret Data			Compal Electronics, Inc.	
Issued Date	2007/09/14	Deciphered Date	2007/12/25	Title	SCHEMATICS, M/B S4182
THIS SHEET OF ENGINEERING DRAWING IS THE PROPRIETARY PROPERTY OF COMPAL ELECTRONICS, INC. AND CONTAINS CONFIDENTIAL AND TRADE SECRET INFORMATION. THIS SHEET MAY NOT BE TRANSFERRED FROM THE CUSTODY OF THE COMPETENT DIVISION OF R&D DEPARTMENT EXCEPT AS AUTHORIZED BY COMPAL ELECTRONICS, INC. NEITHER THIS SHEET NOR THE INFORMATION IT CONTAINS MAY BE USED BY OR DISCLOSED TO ANY THIRD PARTY WITHOUT PRIOR WRITTEN CONSENT OF COMPAL ELECTRONICS, INC.				Document Number	401561
				Date:	Thursday, September 11, 2008
				Sheet	32 of 48



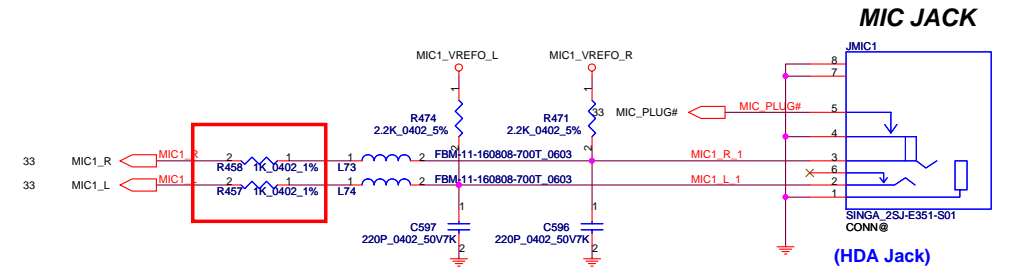
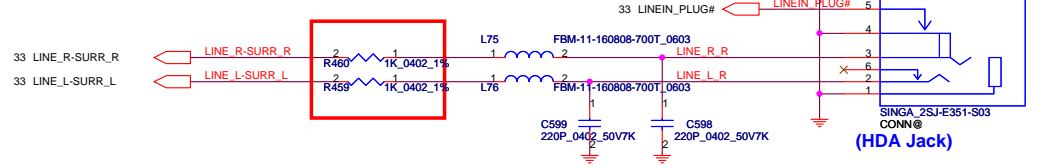
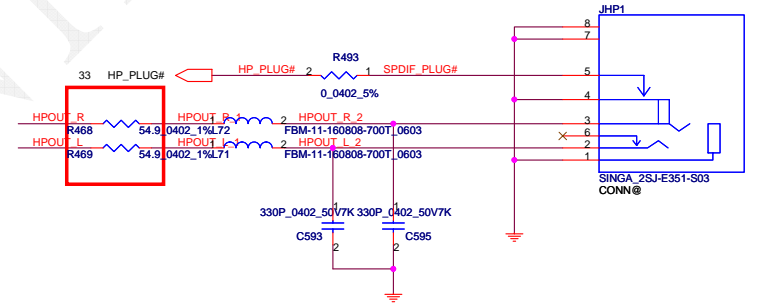
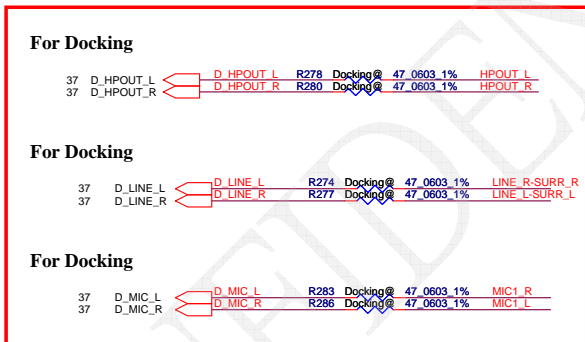
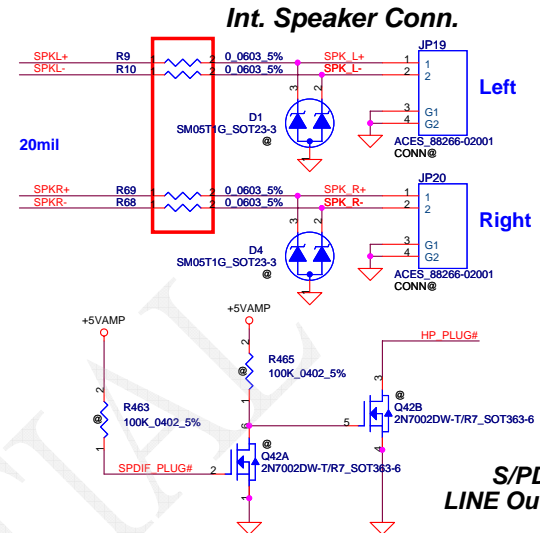
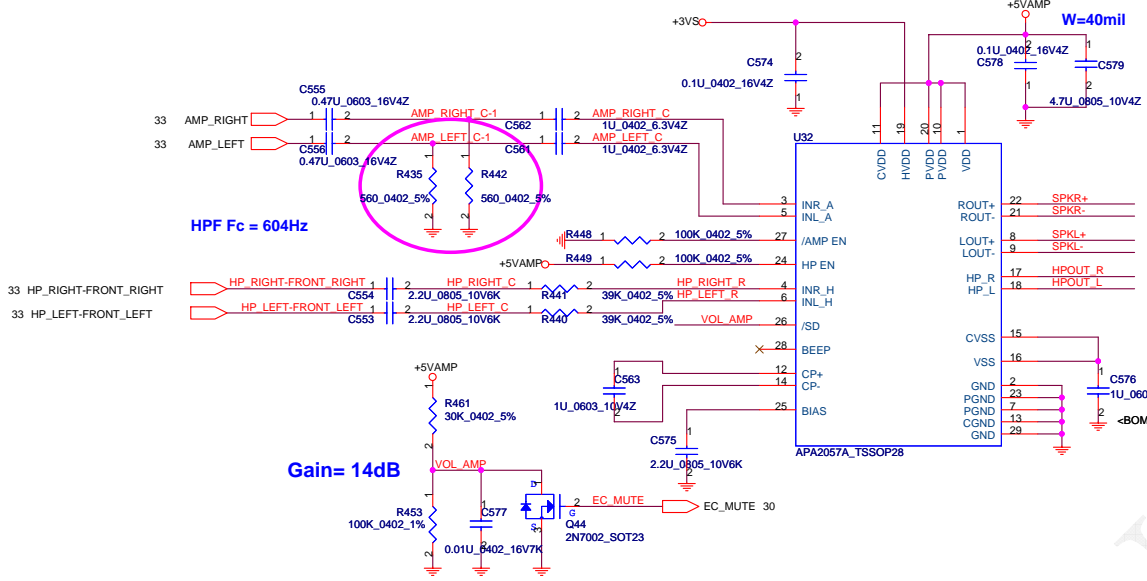
BOM Option

ALC268	268@
ALC888S-VC	888VC@

HD Audio Codec

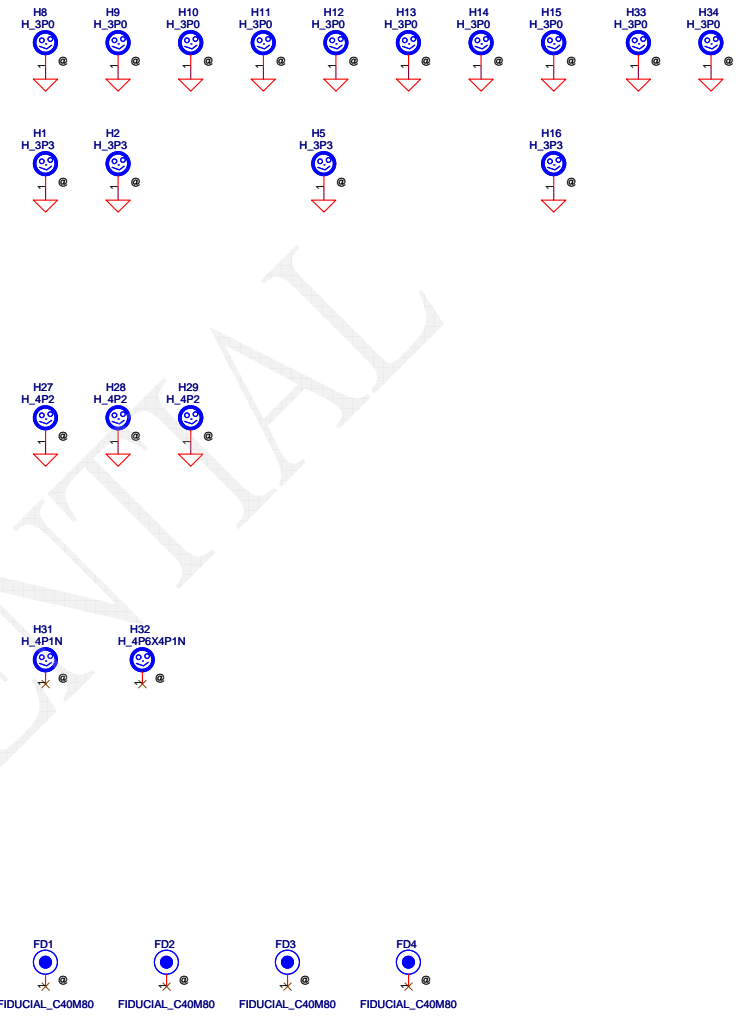
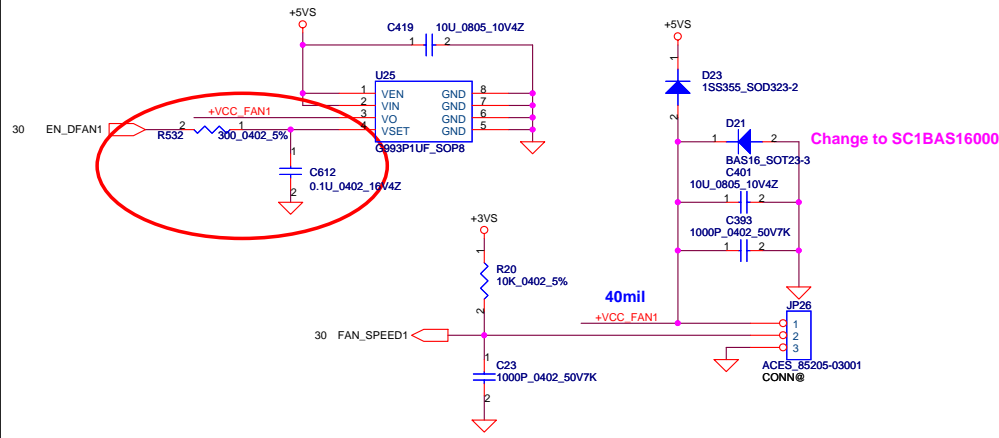
Sense Pin	Impedance	Codec Signals
SENSE A	39.2K	PORT-A (PIN 39, 41)
	20K	PORT-B (PIN 21, 22)
	10K	PORT-C (PIN 23, 24)
	5.1K	PORT-D (PIN 35, 36)
SENSE B	39.2K	PORT-E (PIN 14, 15)
	20K	PORT-F (PIN 16, 17)
	10K	PORT-G (PIN 43, 44)
	5.1K	PORT-H (PIN 45, 46)

Security Classification	Compal Secret Data		Title	
Issued Date	2006/12/25	Deciphered Date	2007/12/25	Compal Electronics, Inc.
THIS SHEET OF ENGINEERING DRAWING IS THE PROPRIETARY PROPERTY OF COMPAL ELECTRONICS, INC. AND CONTAINS CONFIDENTIAL AND TRADE SECRET INFORMATION. THIS SHEET MAY NOT BE TRANSFERRED FROM THE CUSTODY OF THE COMPETENT DIVISION OF R&D DEPARTMENT EXCEPT AS AUTHORIZED BY COMPAL ELECTRONICS, INC. NEITHER THIS SHEET NOR THE INFORMATION IT CONTAINS MAY BE USED BY OR DISCLOSED TO ANY THIRD PARTY WITHOUT PRIOR WRITTEN CONSENT OF COMPAL ELECTRONICS, INC.				<p>SCHEMATICS, M/B S4182</p> <p>Document Number 401561</p> <p>Date: Thursday, September 11, 2008 [Sheet 33 of 48]</p>



Security Classification	Compal Secret Data			Title		
Issued Date	2006/12/25	Deciphered Date	2007/12/25	Compal Electronics, Inc.		
THIS SHEET OF ENGINEERING DRAWING IS THE PROPRIETARY PROPERTY OF COMPAL ELECTRONICS, INC. AND CONTAINS CONFIDENTIAL AND TRADE SECRET INFORMATION. THIS SHEET MAY NOT BE TRANSFERRED FROM THE CUSTODY OF THE COMPETENT DIVISION OF R&D DEPARTMENT EXCEPT AS AUTHORIZED BY COMPAL ELECTRONICS, INC. NEITHER THIS SHEET NOR THE INFORMATION IT CONTAINS MAY BE USED BY OR DISCLOSED TO ANY THIRD PARTY WITHOUT PRIOR WRITTEN CONSENT OF COMPAL ELECTRONICS, INC.				Document Number	Rev	
				401561	E	
				Date:	Thursday, September 11, 2008	Sheet 34 of 48

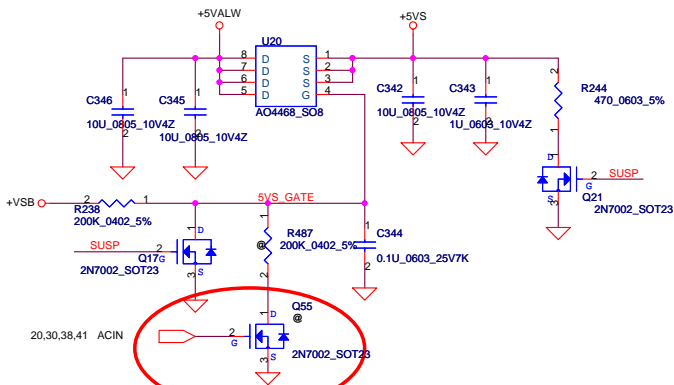
FAN1 Conn



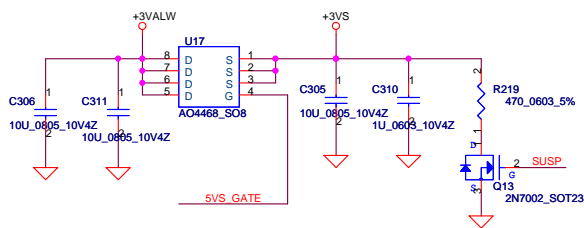
CONFIDENTIAL

Security Classification		Compal Secret Data		Compal Electronics, Inc.	
Issued Date	2007/09/14	Deciphered Date	2007/12/25	Title	
THIS SHEET OF ENGINEERING DRAWING IS THE PROPRIETARY PROPERTY OF COMPAL ELECTRONICS, INC. AND CONTAINS CONFIDENTIAL AND TRADE SECRET INFORMATION. THIS SHEET MAY NOT BE TRANSFERRED FROM THE CUSTODY OF THE COMPETENT DIVISION OF R&D DEPARTMENT EXCEPT AS AUTHORIZED BY COMPAL ELECTRONICS, INC. NEITHER THIS SHEET NOR THE INFORMATION IT CONTAINS MAY BE USED BY OR DISCLOSED TO ANY THIRD PARTY WITHOUT PRIOR WRITTEN CONSENT OF COMPAL ELECTRONICS, INC.				Document Number	401561
Date:	Thursday, September 11, 2008	Sheet	35	of	48

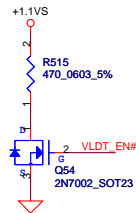
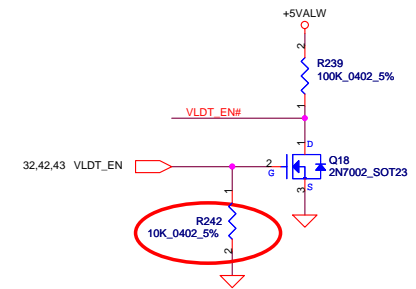
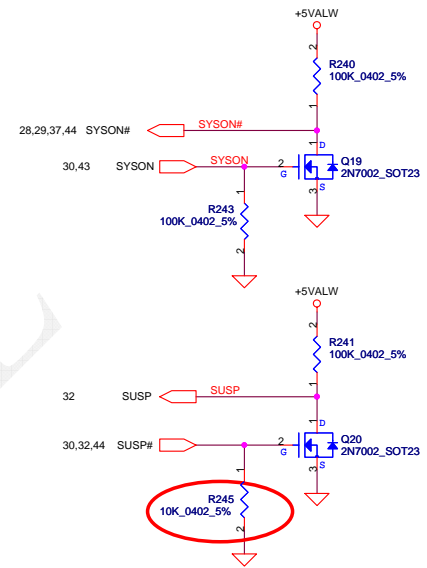
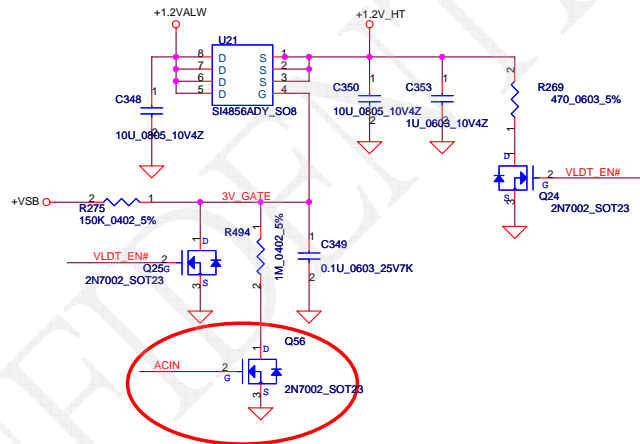
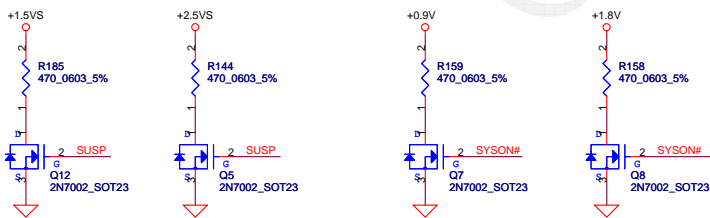
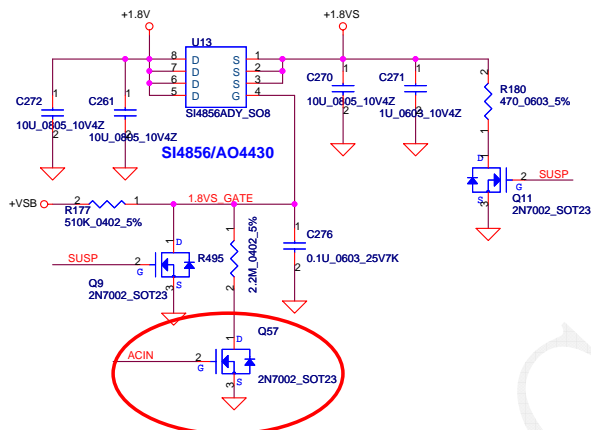
+5VALW TO +5VS



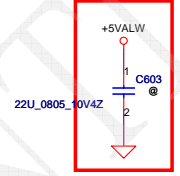
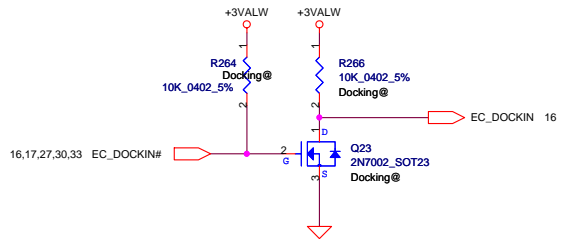
+3VALW TO +3VS



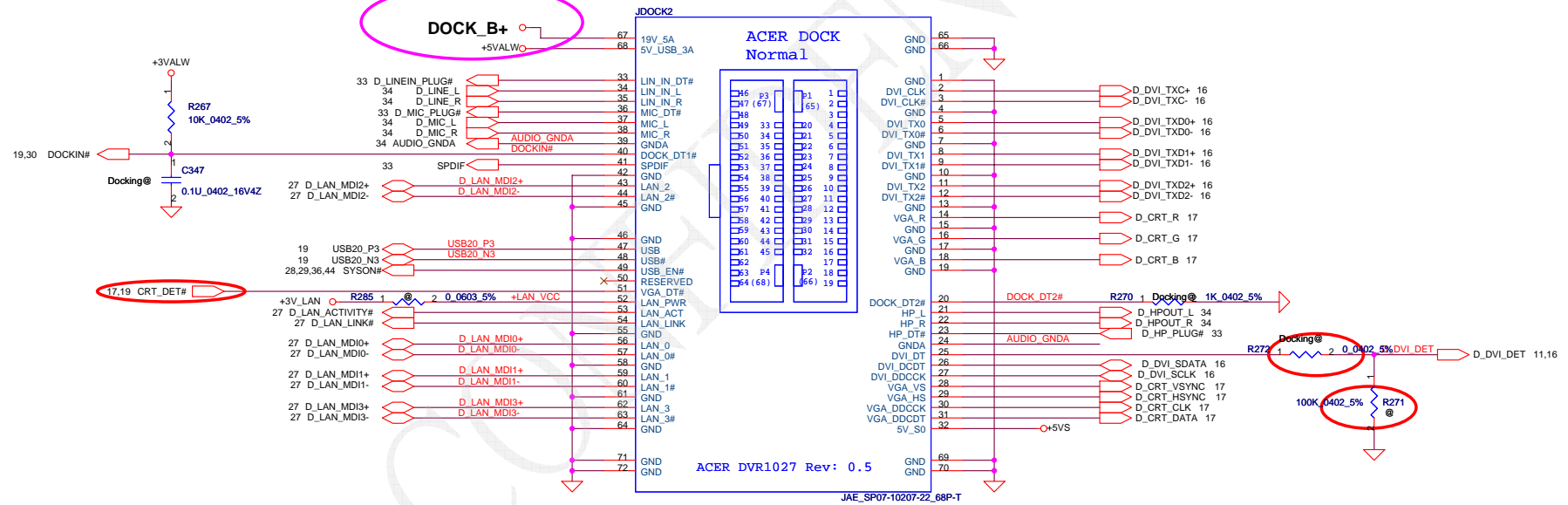
+1.8V to +1.8VS



Security Classification		Compal Secret Data		Compal Electronics, Inc.	
Issued Date	2007/09/14	Deciphered Date	2007/12/25	Title	
THIS SHEET OF ENGINEERING DRAWING IS THE PROPRIETARY PROPERTY OF COMPAL ELECTRONICS, INC. AND CONTAINS CONFIDENTIAL AND TRADE SECRET INFORMATION. THIS SHEET MAY NOT BE TRANSFERRED FROM THE CUSTODY OF THE COMPETENT DIVISION OF R&D DEPARTMENT EXCEPT AS AUTHORIZED BY COMPAL ELECTRONICS, INC. NEITHER THIS SHEET NOR THE INFORMATION IT CONTAINS MAY BE USED BY OR DISCLOSED TO ANY THIRD PARTY WITHOUT PRIOR WRITTEN CONSENT OF COMPAL ELECTRONICS, INC.				Document Number	Rev
				401561	E
				Date: Thursday, September 11, 2008	Sheet 36 of 48

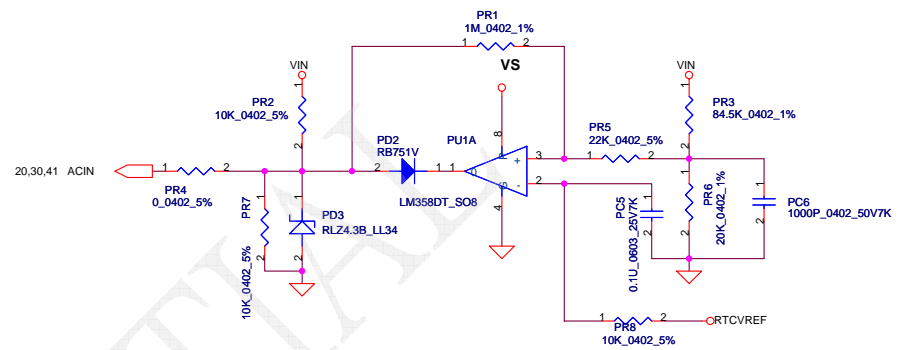
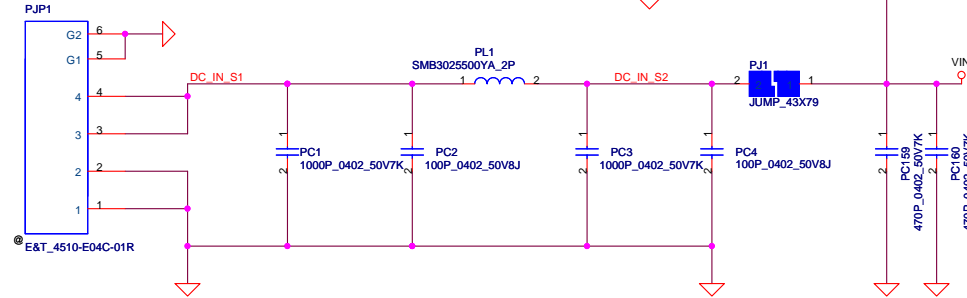


10/15 Acer DVR 1028 Rev0.3

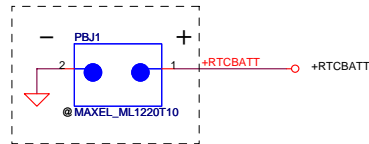


Security Classification	Compal Secret Data		Title	
Issued Date	2007/09/14	Deciphered Date	2007/12/25	SCHEMATICS, M/B S4182
THIS SHEET OF ENGINEERING DRAWING IS THE PROPRIETARY PROPERTY OF COMPAL ELECTRONICS, INC. AND CONTAINS CONFIDENTIAL AND TRADE SECRET INFORMATION. THIS SHEET MAY NOT BE TRANSFERRED FROM THE CUSTODY OF THE COMPETENT DIVISION OF R&D DEPARTMENT EXCEPT AS AUTHORIZED BY COMPAL ELECTRONICS, INC. NEITHER THIS SHEET NOR THE INFORMATION IT CONTAINS MAY BE USED BY OR DISCLOSED TO ANY THIRD PARTY WITHOUT PRIOR WRITTEN CONSENT OF COMPAL ELECTRONICS, INC.				Document Number 401561 Rev E
Date: Thursday, September 11, 2008				Sheet 37 of 48

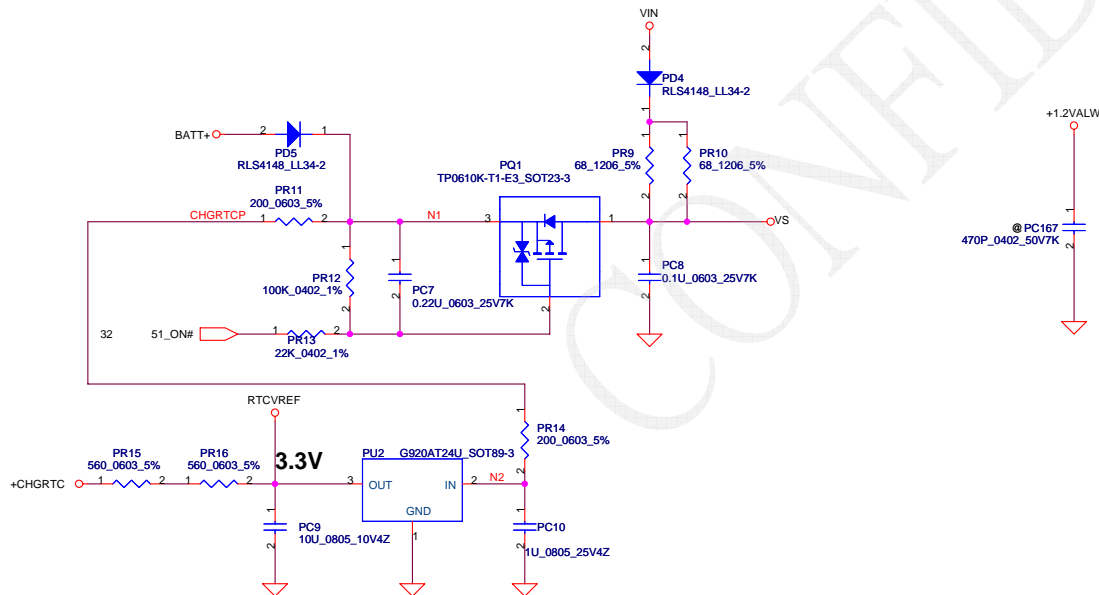
SP02000EF00



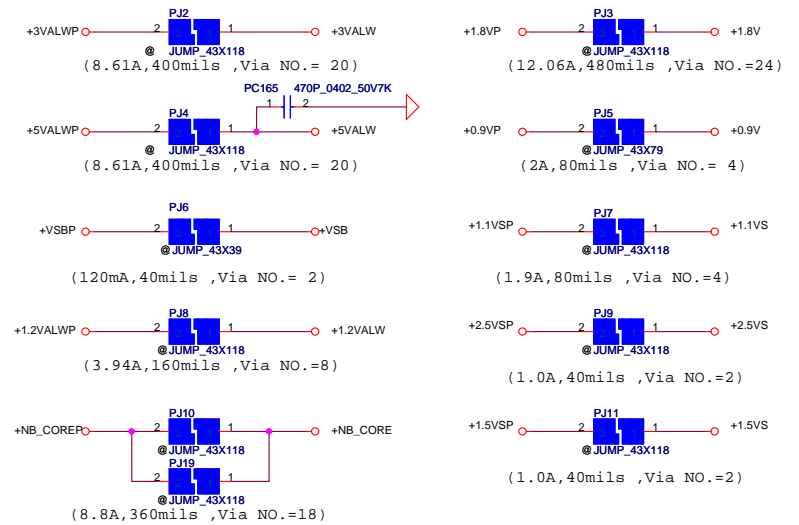
RTC Battery

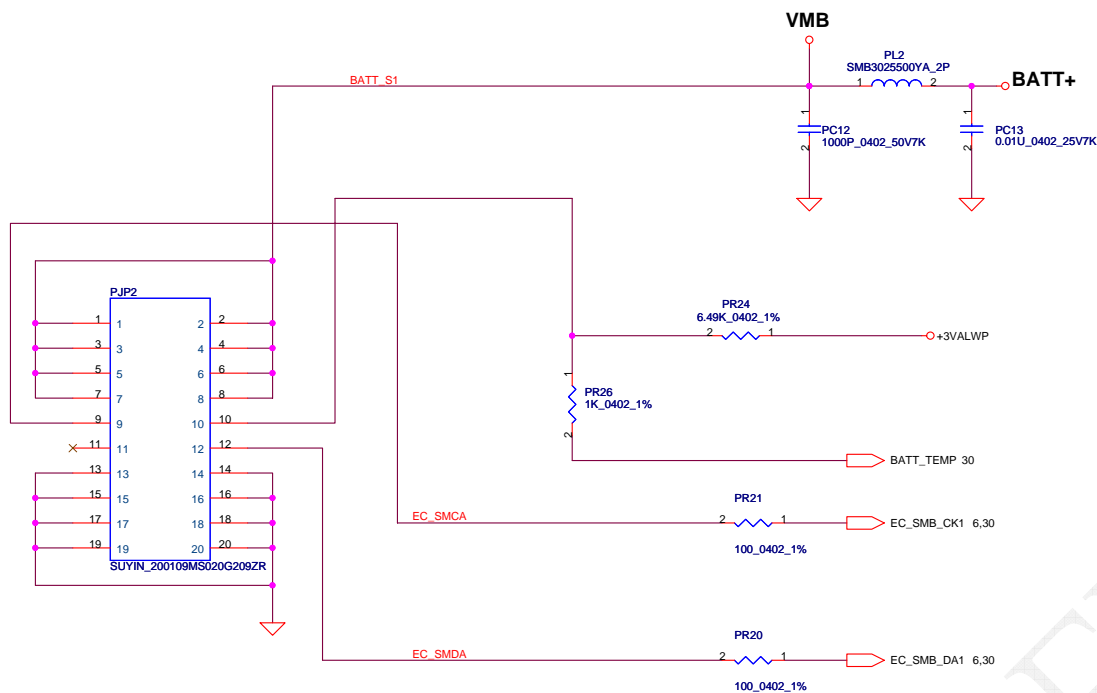


SP093MX0000

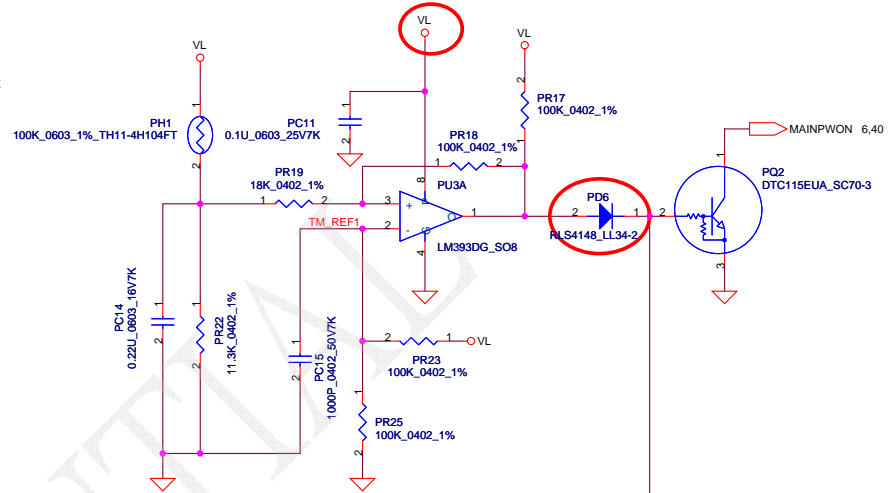


Vin Detector			
	Min.	Typ	Max.
H-->L	16.976V	17.525V	17.728V
L-->H	17.430V	17.901V	18.384V

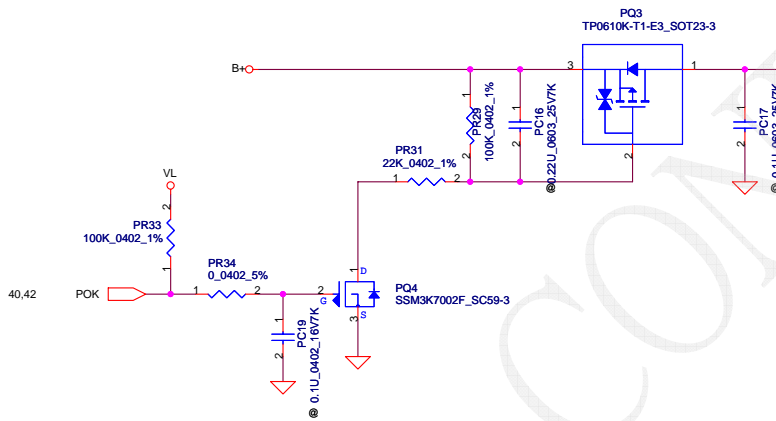
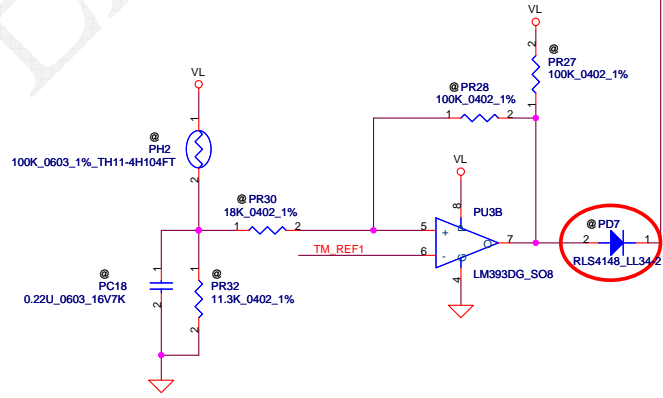




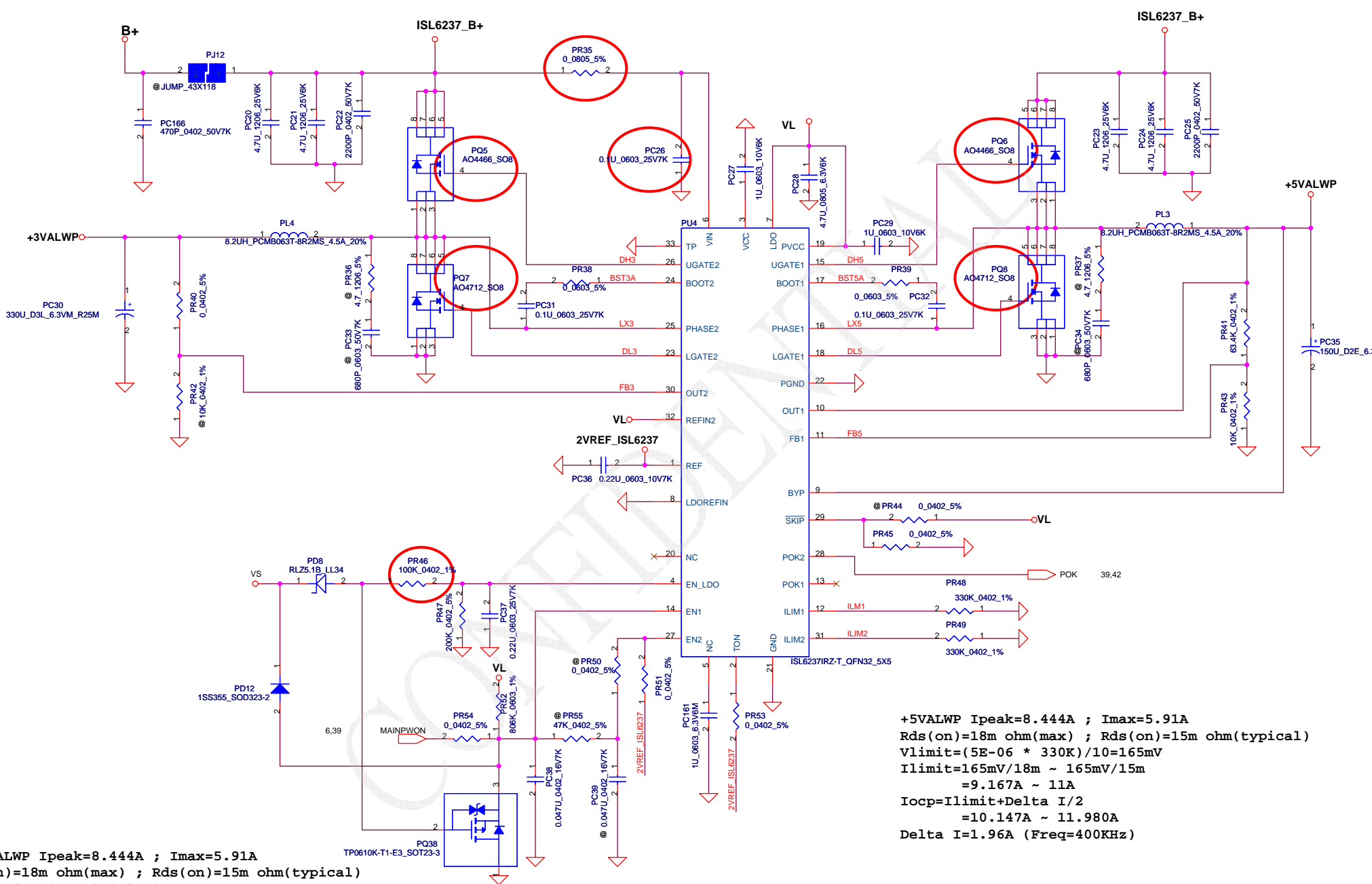
PH1 under CPU botten side :
 CPU thermal protection at 92 degree C
 Recovery at 56 degree C



PH2 near main Battery CONN :
 BAT. thermal protection at 92 degree C
 Recovery at 56 degree C



Security Classification		Compal Secret Data		Compal Electronics, Inc.	
Issued Date	2007/6/22	Deciphered Date	2008/6/22	Title	SCHEMATICS, M/B S4182
THIS SHEET OF ENGINEERING DRAWING IS THE PROPRIETARY PROPERTY OF COMPAL ELECTRONICS, INC. AND CONTAINS CONFIDENTIAL AND TRADE SECRET INFORMATION. THIS SHEET MAY NOT BE TRANSFERRED FROM THE CUSTODY OF THE COMPETENT DIVISION OF R&D DEPARTMENT EXCEPT AS AUTHORIZED BY COMPAL ELECTRONICS, INC. NEITHER THIS SHEET NOR THE INFORMATION IT CONTAINS MAY BE USED BY OR DISCLOSED TO ANY THIRD PARTY WITHOUT PRIOR WRITTEN CONSENT OF COMPAL ELECTRONICS, INC.					
Document Number	401561	Rev	E	Date:	Thursday, September 11, 2008
Sheet	39	of	48		

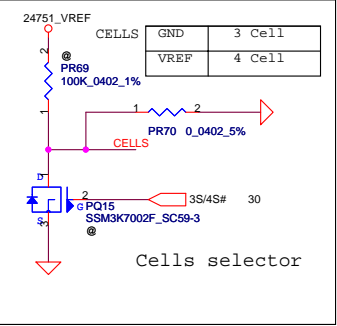


+3.3VALWP Ipeak=8.444A ; Imax=5.91A
 Rds(on)=18m ohm(max) ; Rds(on)=15m ohm(typical)
 Vlimit=(5E-06 * 330K)/10=165mV
 Ilimit=165mV/18m ~ 165mV/15m
 =9.167A ~ 11A
 Iocp=Ilimit+Delta I/2
 =10.134A ~ 11.967A
 Delta I=1.934A (Freq=300KHz)

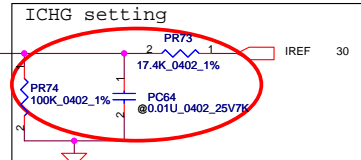
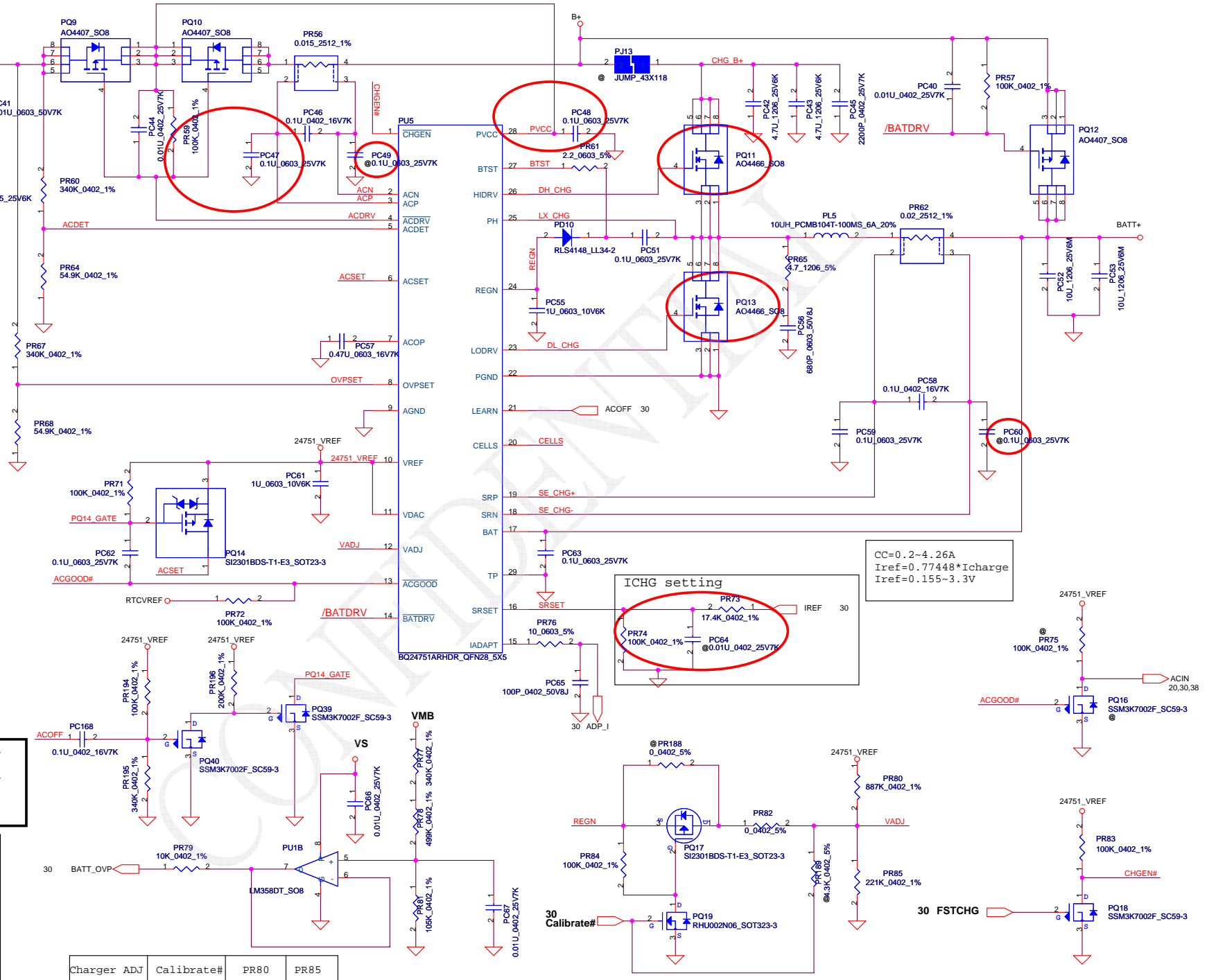
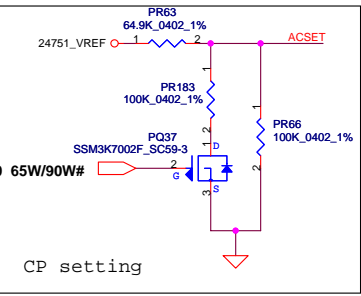
+5VALWP Ipeak=8.444A ; Imax=5.91A
 Rds(on)=18m ohm(max) ; Rds(on)=15m ohm(typical)
 Vlimit=(5E-06 * 330K)/10=165mV
 Ilimit=165mV/18m ~ 165mV/15m
 =9.167A ~ 11A
 Iocp=Ilimit+Delta I/2
 =10.147A ~ 11.980A
 Delta I=1.96A (Freq=400KHz)

Security Classification		Compal Secret Data		Title	
Issued Date	2007/06/22	Deciphered Date	2008/06/22	SCHEMATICS, M/B S4182	
THIS SHEET OF ENGINEERING DRAWING IS THE PROPRIETARY PROPERTY OF COMPAL ELECTRONICS, INC. AND CONTAINS CONFIDENTIAL AND TRADE SECRET INFORMATION. THIS SHEET MAY NOT BE TRANSFERRED FROM THE CUSTODY OF THE COMPETENT DIVISION OF R&D DEPARTMENT EXCEPT AS AUTHORIZED BY COMPAL ELECTRONICS, INC. NEITHER THIS SHEET NOR THE INFORMATION IT CONTAINS MAY BE USED BY OR DISCLOSED TO ANY THIRD PARTY WITHOUT PRIOR WRITTEN CONSENT OF COMPAL ELECTRONICS, INC.					
Document Number	401561		Rev	E	
Date:	Thursday, September 11, 2008	Sheet	40	of 48	

$I_{charge} = (V_{srset} / V_{vdac}) * (0.1 / PR36)$
 90W adapter
 $I_{adapter} = (V_{vacset} / V_{vdac}) * (0.1 / PR48) = 4.04A$
 65W adapter
 $I_{adapter} = (V_{vacset} / V_{vdac}) * (0.1 / PR48) = 2.90A$
 Input OVP : 22.3V
 Input UVP : 17.26V
 Fsw : 300KHz



LI-3S : 13.5V --- BATT-OVP=1.5V
LI-4S : 18V --- BATT-OVP=1.998V
BATT-OVP=0.111*BATT+



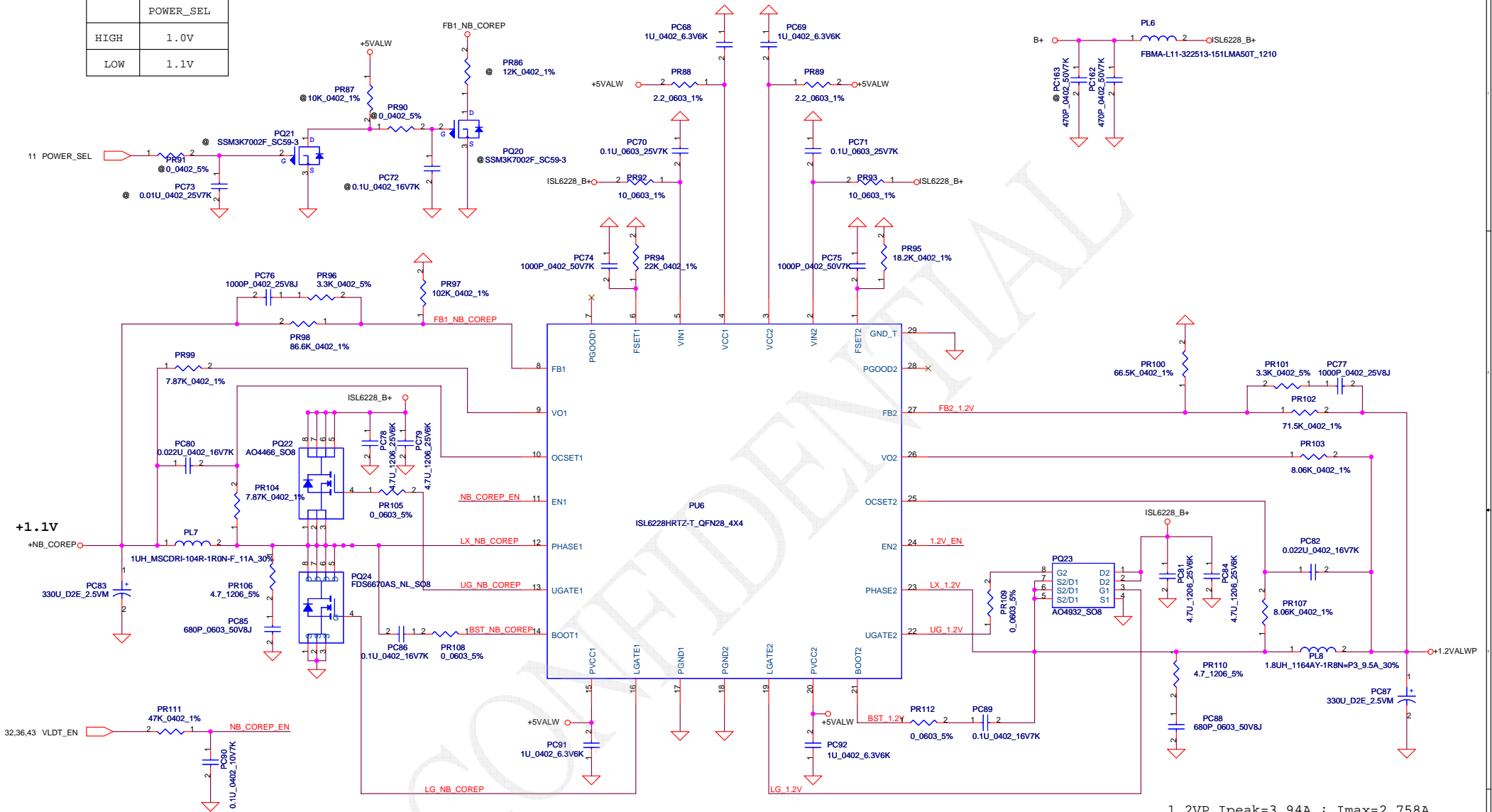
$CC = 0.2 \sim 4.26A$
 $I_{ref} = 0.77448 * I_{charge}$
 $I_{ref} = 0.155 \sim 3.3V$

Charger ADJ	Calibrate#	PR80	PR85
4.0V	L	@	0
4.1V	L	887K	221K
4.2V	H	887K	221K

Security Classification		Compal Secret Data	
Issued Date	2007/06/22	Deciphered Date	2008/06/22
THIS SHEET OF ENGINEERING DRAWING IS THE PROPRIETARY PROPERTY OF COMPAL ELECTRONICS, INC. AND CONTAINS CONFIDENTIAL AND TRADE SECRET INFORMATION. THIS SHEET MAY NOT BE TRANSFERRED FROM THE CUSTODY OF THE COMPETENT DIVISION OF R&D DEPARTMENT EXCEPT AS AUTHORIZED BY COMPAL ELECTRONICS, INC. NEITHER THIS SHEET NOR THE INFORMATION IT CONTAINS MAY BE USED BY OR DISCLOSED TO ANY THIRD PARTY WITHOUT PRIOR WRITTEN CONSENT OF COMPAL ELECTRONICS, INC.			

Compal Electronics, Inc.			
SCHEMATICS, M/B S4182			
Document Number	401561		Rev E
Date:	Thursday, September 11, 2008	Sheet	41 of 48

	POWER_SEL
HIGH	1.0V
LOW	1.1V



+1.1V

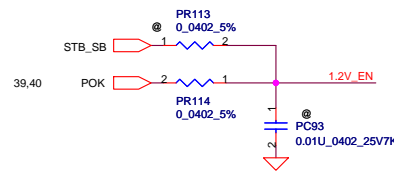
32,36,43 VLDT_EN

1.1VP Ipeak=8.9A ; Imax=6.23A
 DCR=6m ohm (max)
 $Rocset=(Iocp*DCR)/10E-06=7.87K\ ohm$
 $Iocp=10.089A(1.3*DCR)$
 $Csen=L/(Rocset*DCR)=0.022uF$

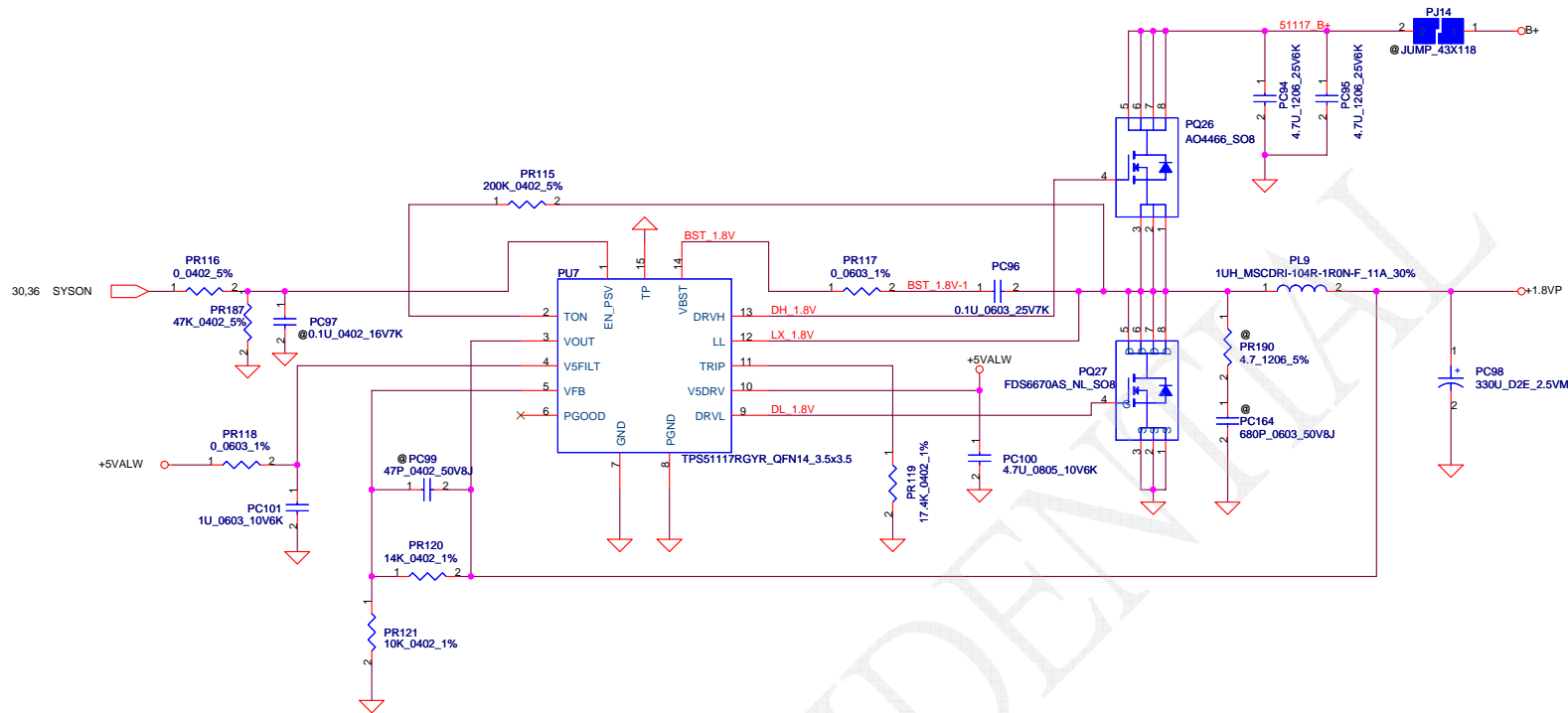
Freq=303KHz
 $Rfset=1/(1.5E-10 * Freq)=22K$

1.2VP Ipeak=3.94A ; Imax=2.758A
 DCR=10m ohm (max)
 $Rocset=(Iocp*DCR)/10E-06=8.06K\ ohm$
 $Iocp=6.716A(1.2*DCR)$
 $Csen=L/(Rocset*DCR)=0.022uF$

Freq=366KHz
 $Rfset=1/(1.5E-10 * Freq)=18.2K$

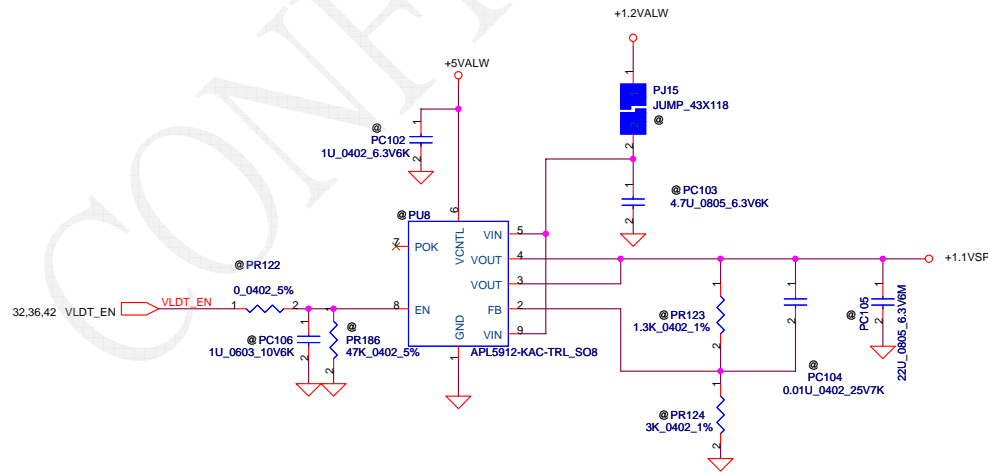


Security Classification	Compal Secret Data		Compal Electronics, Inc.	
Issued Date	2007/06/22	Deciphered Date	2008/06/22	Title
THIS SHEET OF ENGINEERING DRAWING IS THE PROPRIETARY PROPERTY OF COMPAL ELECTRONICS, INC. AND CONTAINS CONFIDENTIAL AND TRADE SECRET INFORMATION. THIS SHEET MAY NOT BE TRANSFERRED FROM THE CUSTODY OF THE COMPETENT DIVISION OF RADE&S DEPARTMENT EXCEPT AS AUTHORIZED BY COMPAL ELECTRONICS, INC. NEITHER THIS SHEET NOR THE INFORMATION IT CONTAINS MAY BE USED BY OR DISCLOSED TO ANY THIRD PARTY WITHOUT PRIOR WRITTEN CONSENT OF COMPAL ELECTRONICS, INC.				Document Number
				401561
				Rev E
Date: Friday, September 12, 2008		Sheet 42 of 48		

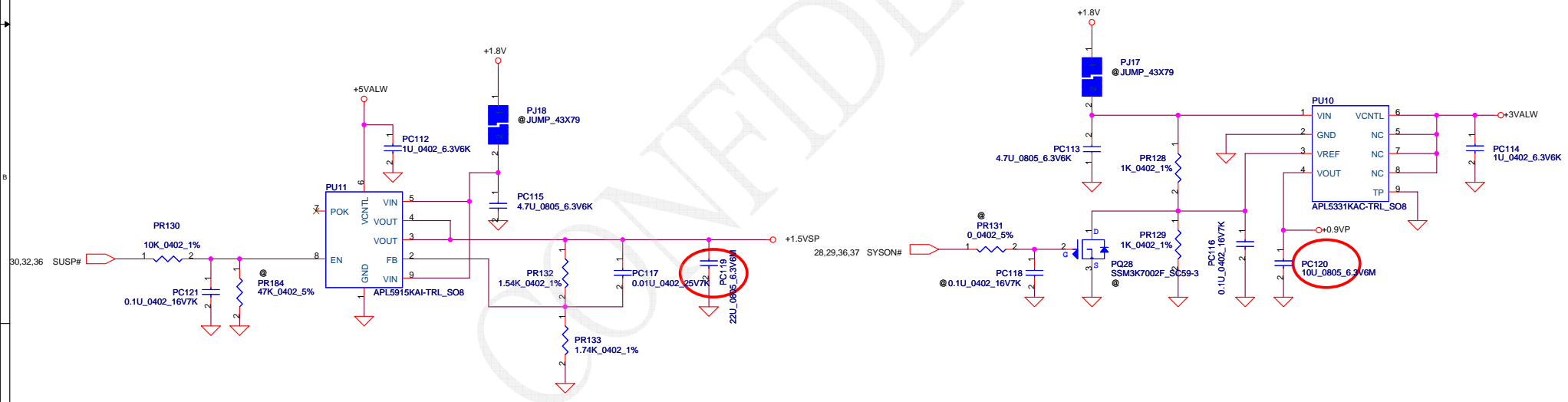
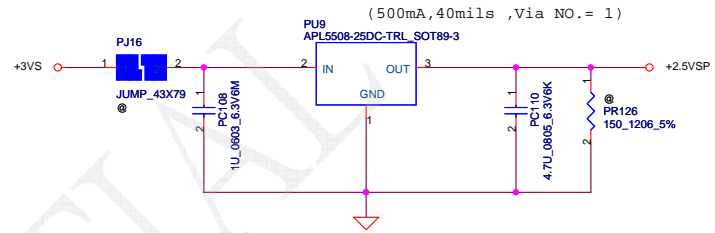


$V_{FB} = 0.75V$
 $V_o = V_{FB} * (1 + PR120 / PR121) = 1.8V$
 $T_{on} = 19E-12 * Ron * ((2/3) * V_o + 100mV) / (V_{in}) + 50ns = 3.1E-07$
 $Freq = 305KHz$

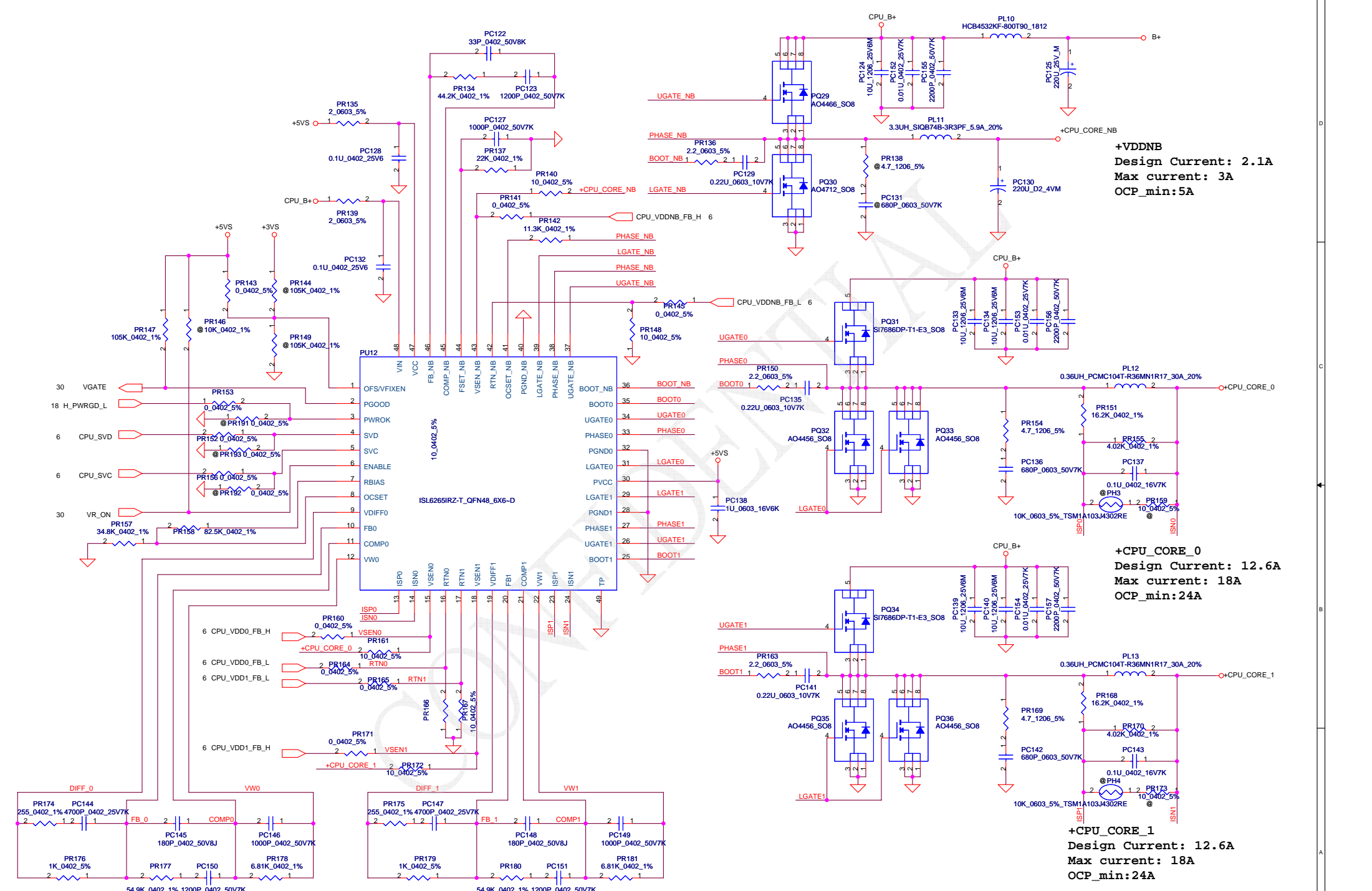
$C_{esr} = 15m\ ohm$
 $I_{peak} = 12.6A$ $I_{max} = 8.82A$
 $\Delta I = ((19 - 1.8) * (1.8 / 19)) / (L * Freq) = 5.332A$
 $V_{trip} = R_{trip} * I_{0uA} = 0.24V$
 $I_{ocp_min} = V_{trip} / R_{ds_on_max} * 1.4 + 2.666 = 17.573A$
 $I_{ocp_max} = V_{trip} / R_{ds_on_typ} * 1.2 + 2.666 = 26.908A$
 $I_{ocp} = 17.573 - 26.908A$



Security Classification	Compal Secret Data		Compal Electronics, Inc.	
Issued Date	2007/06/22	Deciphered Date	2008/06/22	Title
THIS SHEET OF ENGINEERING DRAWING IS THE PROPRIETARY PROPERTY OF COMPAL ELECTRONICS, INC. AND CONTAINS CONFIDENTIAL AND TRADE SECRET INFORMATION. THIS SHEET MAY NOT BE TRANSFERRED FROM THE CUSTODY OF THE COMPETENT DIVISION OF R&D DEPARTMENT EXCEPT AS AUTHORIZED BY COMPAL ELECTRONICS, INC. NEITHER THIS SHEET NOR THE INFORMATION IT CONTAINS MAY BE USED BY OR DISCLOSED TO ANY THIRD PARTY WITHOUT PRIOR WRITTEN CONSENT OF COMPAL ELECTRONICS, INC.				SCHEMATICS, M/B S4182
Rev	5	4	3	2
Document Number	401561			Rev E
Date:	Friday, September 12, 2008			Sheet 43 of 48



Security Classification		Compal Secret Data		Compal Electronics, Inc.	
Issued Date	2007/6/12	Deciphered Date	2008/6/12	Title	SCHEMATICS, M/B S4182
THIS SHEET OF ENGINEERING DRAWING IS THE PROPRIETARY PROPERTY OF COMPAL ELECTRONICS, INC. AND CONTAINS CONFIDENTIAL AND TRADE SECRET INFORMATION. THIS SHEET MAY NOT BE TRANSFERRED FROM THE CUSTODY OF THE COMPETENT DIVISION OF R&D DEPARTMENT EXCEPT AS AUTHORIZED BY COMPAL ELECTRONICS, INC. NEITHER THIS SHEET NOR THE INFORMATION IT CONTAINS MAY BE USED BY OR DISCLOSED TO ANY THIRD PARTY WITHOUT PRIOR WRITTEN CONSENT OF COMPAL ELECTRONICS, INC.				Rev	E
Date:	Friday, September 12, 2008	Sheet	44	of	48



Security Classification	Compal Secret Data		Title	
Issued Date	2007/6/12	Deciphered Date	2008/6/12	SCHEMATICS, M/B S4182
THIS SHEET OF ENGINEERING DRAWING IS THE PROPRIETARY PROPERTY OF COMPAL ELECTRONICS, INC. AND CONTAINS CONFIDENTIAL AND TRADE SECRET INFORMATION. THIS SHEET MAY NOT BE TRANSFERRED FROM THE CUSTODY OF THE COMPETENT DIVISION OF R&D DEPARTMENT EXCEPT AS AUTHORIZED BY COMPAL ELECTRONICS, INC. NEITHER THIS SHEET NOR THE INFORMATION IT CONTAINS MAY BE USED BY OR DISCLOSED TO ANY THIRD PARTY WITHOUT PRIOR WRITTEN CONSENT OF COMPAL ELECTRONICS, INC.				
Rev	Document Number	Customer	Date:	Rev
E	401561		Friday, September 12, 2008	E
			Sheet	45 of 48

NO DATE	PAGE	MODIFICATION LIST	PURPOSE
7/9	DCIN	Change PL1 to bead coil	link to SM010008E10
7/9	DCIN	Link RTC battery symbol	link to SP093MX0000
7/9	Battery conn	Change PL2 to bead coil	link to SM010008E10
7/9	Battery conn	Change PD3,PD4 to RLS4148	For low cost
7/9	Battery conn	Change PU2 pin8 to VL	Design change
7/9	Charger	Delete PU3 PVCC resistor and change PC26 to 1U	avoid PQ6 false turn-on when AC plug-in
7/9	Charger	Change PQ7,PQ9 to AO4466	For low cost
7/9	Charger	Change PU4 pin8 to +5VALW	Design change
7/9	Charger	Unpop PC28, PC37	avoid interfere by other signal
7/9	3V/5V	Change PR54 and PC51	Add design margine
7/9	3V/5V	Change MOSFET to AO4466+AO4712	For low cost
7/9	1.8V/1.5V	Change MOSFET to AO4466+AO4712	For low cost
7/9	1.8V/1.5V	Change PR75 to 2.2ohm	Design change
7/9	1.05V/1.25V/0.9V	Change MOSFET to AO4466+AO4712	For low cost
7/9	1.05V/1.25V/0.9V	Change PC94 to 330U	Decrease overshoot
7/9	1.05V/1.25V/0.9V	Change PU7 PVCC source to +5VS	Design change
7/9	1.05V/1.25V/0.9V	Change PC105,PC108 size to 0805	For low cost
7/9	CPU CORE	Change input MLCC to 4pcs	Design change
7/9	CPU CORE	Unpop PC111	Reserve for high frequency noise
7/10	Charger	Change PR38, PR39 and unpop PC32	increase resistor to reduce power loss on resistor divider
7/10	Charger	Change PR45, PR47 and unpop PC41	increase resistor to reduce power loss on resistor divider
7/10	Charger	Change PR43 to 100K	increase resistor to reduce power loss
7/10	3V/5V	Change PR65 to 100K_1%	Let BOM clear
7/10	Charger/0.9V	Change PQ4,PQ11,PQ12,PQ13,PQ24 to SB000009080	For low cost
8/1	Charger	Change PR30 to 0.015ohm and PR38 to 80.6K	Change over power protection point

CONFIDENTIAL

Security Classification		Compal Secret Data		Title	
Issued Date	2005/06/01	Deciphered Date	2006/06/01	Compal Electronics, Inc.	
THIS SHEET OF ENGINEERING DRAWING IS THE PROPRIETARY PROPERTY OF COMPAL ELECTRONICS, INC. AND CONTAINS CONFIDENTIAL AND TRADE SECRET INFORMATION. THIS SHEET MAY NOT BE TRANSFERRED FROM THE CUSTODY OF THE COMPETENT DIVISION OF R&D DEPARTMENT EXCEPT AS AUTHORIZED BY COMPAL ELECTRONICS, INC. NEITHER THIS SHEET NOR THE INFORMATION IT CONTAINS MAY BE USED BY OR DISCLOSED TO ANY THIRD PARTY WITHOUT PRIOR WRITTEN CONSENT OF COMPAL ELECTRONICS, INC.				Size	Document Number
				B	401561
Date:		Friday, September 12, 2008		Sheet	46 of 48

NO DATE	PAGE	MODIFICATION LIST	PURPOSE
12/19	P.6	Change C500 p/n	common part
	P.6	R403, R402,R103 pull +1.8VS	
	P.6	unpop Q32, Q33,R344,R348,C410	voltage leakage issue
	P.6	CPU_test21, CPU_test24 pull low 300 ohm, CPU_DBREQ#pull high 300 ohm +1.8V	CPU issue
	P.7	C517 change p/n	common part
	P.11	U22.B8 and U22.A8 swap	HDMI I2C error
	P.11	R411 pull +1.8VS	voltage leakage issue
	P.12	POP L20 , Del L19 and +1.35V circuit	fixed chipset ver:All issue
	P.15	pop R187 , del R188	fixed system unstable issue
	P.16	C351 type change form 0603 to 0402	common part
	P.17	Q3, Q26 change to BSH111	common part
		R273,R276 change to 2K	DVI issue
		pop R80 , del R362,R357,R352,R353,R354,R355	common part
		change Q4,Q36,Q37,Q38 p/n	common part
	P.18	change D22 p/n	common part
		Change Q29 p/n	common part
	P.19	POP U11, C235, del R134	add driving
	P.20	add CR_PE# , CR_WAKE# net	JM385 D3e function
	P.21	Change CRT_det pin	for coding
	P.21	change R377 to 100k	for AC LED issue
	P.22	POP R413, Del R415	fixed chipset ver:All issue
	P.23	change R88 to 2.2k	fixed can't boot issue
	P.25	U30,46 connect to PCI_AD0, U30.127 connect to R434	fixed PCMCIA card issue
	P.26	add CR_PE# , CR_WAKE# net	JM385 D3e function
	P.26	DEL L65	use J385 internal power fn.
	P.27	del colayout 5787 circuit	for IEEE fail issue
	P.28	change T1 p/n	common part
	P.29	Del TV_therm net	no need in the circuit
	P.30	del USB_OC#1 net and C514, R413	no need in the circuit
	P.31	U16.76 as NC pin	no need in the circuit
	P.31	pop C284	for KB926 C0 version
	P.32	change SW3, SW4 p/n and circuit	ID desing change
	P.33	del R177 , pop R166	udpate sequency
	P.35	change C553,C554 to 2.2 u	for audio performance issue
	P.35	Change JHP1 connector package	ID desing change
	P.37	add R487,R494,R495	design change
	P.38	update docking pin define	common design
	P.38	del R271, change R272 to 0 ohm	for DVI detect issue

Security Classification		Compal Secret Data		Compal Electronics, Inc.	
Issued Date	2007/11/08	Deciphered Date	2008/11/8	Title	SCHEMATICS, M/B S4182
THIS SHEET OF ENGINEERING DRAWING IS THE PROPRIETARY PROPERTY OF COMPAL ELECTRONICS, INC. AND CONTAINS CONFIDENTIAL AND TRADE SECRET INFORMATION. THIS SHEET MAY NOT BE TRANSFERRED FROM THE CUSTODY OF THE COMPETENT DIVISION OF RESEARCH AND DEVELOPMENT DEPARTMENT EXCEPT AS AUTHORIZED BY COMPAL ELECTRONICS, INC. NEITHER THIS SHEET NOR THE INFORMATION IT CONTAINS MAY BE USED BY OR DISCLOSED TO ANY THIRD PARTY WITHOUT PRIOR WRITTEN CONSENT OF COMPAL ELECTRONICS, INC.				Document Number	401561
Date:	Friday, September 12, 2008	Sheet	47	of	48

5 4 3 2 1

NO DATE PAGE MODIFICATION LIST PURPOSE

1/31	P.6	POP CPU internal themal sensor schematic	
1/31	P.11	change R55 to 133 ohm	
1/31	P.14	Add C601	
1/31	P.19	Change CRT_DET to U10.H7	
1/31	P.33	Change R500 to D32, add R516	
1/31	P.34	Change HP left and right chanel	
1/31	P.36	reserve ACin sigal to power MOS	
2/13	P.28	add R517 pull high at mini card	
2/13	P.31	updated LED1, LED2 symbol	
2/13	P.30	add R518 100k pull low on VR_ON	
2/14	P.6	add R519, R520,521,522,R523,R524 in DTS	
3/24	P.33	For EMI request,Change R445 to SD028100A80	
3/24	P.12	Change C95,C139,C129,C44,C26,C15,C16,C17,C18 to SE000000I10 (22U)	
3/24	P.19	change USB port	
4/16	P.34	change R278,R280,R274,R277,R283,R286 to 47 ohm	
4/16	P.6	reserve memhot# pull high	
4/16	P.18	reserve proshot# pull high +3VS at S/B	
4/16	P.19	reserve GPIO5 pull high at S/B	
4/23	P.20	reserve R613	
4/28	P.6	DTS unpop , del C410,R344, R348, R520,R522, Q32, Q33	
4/28	P.6	del R528 , pop R527, change finger printer power	
5/19	P.25	add R533,C616 delay circuit for ASF	
5/19	P.23	add C614,C615 for ESD issue	
6/2	P.30	board ID change	
6/2	P.30	add CR_PE delay signal to card reader	
7/21	P.7	add C149 and change to SGA00001Q80 for CRT issue	
7/21	P.36	add Q56 , Q57 ; add R494 and change to SD028100480 ; add R494 and change to SD028100480 ; add R4945 and change to SD028220480 for power issue	

CONFIDENTIAL

Security Classification		Compal Secret Data		Compal Electronics, Inc.	
Issued Date	2007/11/08	Deciphered Date	2008/11/8	Title	SCHEMATICS, M/B S4182
THIS SHEET OF ENGINEERING DRAWING IS THE PROPRIETARY PROPERTY OF COMPAL ELECTRONICS, INC. AND CONTAINS CONFIDENTIAL AND TRADE SECRET INFORMATION. THIS SHEET MAY NOT BE TRANSFERRED FROM THE CUSTODY OF THE COMPETENT DIVISION OF R&D DEPARTMENT EXCEPT AS AUTHORIZED BY COMPAL ELECTRONICS, INC. NEITHER THIS SHEET NOR THE INFORMATION IT CONTAINS MAY BE USED BY OR DISCLOSED TO ANY THIRD PARTY WITHOUT PRIOR WRITTEN CONSENT OF COMPAL ELECTRONICS, INC.				Document Number	Rev
				401561	E
				Date: Friday, September 12, 2008	Sheet 48 of 48