

CDX-GT50W/GT500/ GT500EE/GT550

SERVICE MANUAL

Ver. 1.0 2005. 12



Photo: CDX-GT500

US Model
CDX-GT50W/GT500

Canadian Model

AEP Model

UK Model

CDX-GT500

E Model

CDX-GT550

East European Model

CDX-GT500EE

Chinese Model

CDX-GT550

- The tuner and CD sections have no adjustments.

AUDIO POWER SPECIFICATIONS (US Model)

POWER OUTPUT AND TOTAL HARMONIC DISTORTION
23.2 watts per channel minimum continuous average power into
4 ohms, 4 channels driven from 20 Hz to 20 kHz with no more
than 5% total harmonic distortion.

CD player section

Signal-to-noise ratio: 120 dB
Frequency response: 10 – 20,000 Hz
Wow and flutter: Below measurable limit

Tuner section

FM

Tuning range: CDX-GT50W/GT500: US Canadian model
87.5 – 107.9 MHz
CDX-GT500: AEP, UK model
87.5 – 108.0 MHz
CDX-GT500EE:
FM1/FM2: 87.5 – 108.0 MHz (at 50 kHz step)
FM3: 65 – 74 MHz (at 30 kHz step)
CDX-GT550:
87.5 – 108.0 MHz (at 50 kHz step)
87.5 – 107.9 MHz (at 200 kHz step)

FM tuning interval (CDX-GT550 only):
50 kHz/200 kHz switchable

Antenna terminal: External antenna connector
Intermediate frequency: 10.7 MHz/450 kHz
Usable sensitivity: 9 dBf
Selectivity: 75 dB at 400 kHz
Signal-to-noise ratio: 67 dB (stereo), 69 dB (mono)
Harmonic distortion at 1 kHz:

0.5 % (stereo), 0.3 % (mono)

Separation: 35 dB at 1 kHz
Frequency response: 30 – 15,000 Hz

Model Name Using Similar Mechanism	CDX-A250/A250EE
CD Drive Mechanism Type	MG-611WA-186//Q
Optical Pick-up Name	KSS1000E

SPECIFICATIONS

AM (CDX-GT50W/GT500: US, Canadian model/GT500EE/GT550)

Tuning range: CDX-GT50W/GT500: US, Canadian model:
530 – 1,710 kHz
CDX-GT500EE:
531 – 1,602 kHz
CDX-GT550:
531 – 1,602 kHz (at 9 kHz step)
530 – 1,710 kHz (at 10 kHz step)

AM tuning interval (CDX-GT550 only):

9 kHz/10 kHz switchable

Antenna terminal: External antenna connector

Intermediate frequency: 10.7 MHz/450 kHz

Sensitivity: 30 μ V

MW/LW (CDX-GT500: AEP, UK model)

Tuning range: MW: 531 – 1,602 kHz
LW: 153 – 279 kHz

Aerial terminal: External aerial connector

Intermediate frequency: 10.7 MHz/450 kHz

Sensitivity: MW: 30 μ V, LW: 40 μ V

– Continued on next page –

FM/AM COMPACT DISC PLAYER
CDX-GT50W/GT500: US, Canadian MODEL/GT500EE/GT550
FM/MW/LW COMPACT DISC PLAYER
CDX-GT500: AEP, UK MODEL

9-887-003-01

2005L04-1

© 2005. 12

Sony Corporation

eVehicle Division

Published by Sony Engineering Corporation

SONY®

CDX-GT50W/GT500/GT500EE/GT550

Power amplifier section

Outputs: Speaker outputs (sure seal connectors)
Speaker impedance: 4 – 8 ohms
Maximum power output: 52 W × 4 (at 4 ohms)

General

Outputs: Audio outputs terminal (front/rear)
Subwoofer output terminal (mono)
Power antenna relay control terminal
Power amplifier control terminal

Inputs: Telephone ATT control terminal
Illumination control terminal
BUS control input terminal
BUS audio input/AUX IN terminal
Remote controller input terminal
Antenna input terminal

Tone controls: Low: ±10 dB at 60 Hz or 100 Hz (XPLOD)
Mid: ±10 dB at 500 Hz or 1 kHz (XPLOD)
High: ±10 dB at 10 kHz or 12.5 kHz (XPLOD)

Power requirements: 12 V DC car battery (negative ground)
Dimensions: Approx. 178 × 50 × 181 mm
(7 1/8 × 2 × 7 1/4 in) (w/h/d)

Mounting dimensions: Approx. 182 × 53 × 162 mm
(7 1/4 × 2 1/8 × 6 1/2 in) (w/h/d)

Mass: Approx. 1.2 kg (2 lb 11 oz)
Supplied accessories: Parts for installation and connections (1 set)
Card remote commander: RM-X151

Design and specifications are subject to change without notice.

SERVICE NOTES

CAUTION

Use of controls or adjustments or performance of procedures other than those specified herein may result in hazardous radiation exposure.

(GT500: AEP/UK/GT500EE/GT550)

This compact disc player is classified as a CLASS 1 LASER product. The CLASS 1 LASER PRODUCT label is located on the exterior.

Except Chinese model

**CLASS 1
LASER PRODUCT**

This label is located on the bottom of the chassis.

Chinese model

1类激光产品

此标签位于机壳的底部。

SAFETY-RELATED COMPONENT WARNING!!

COMPONENTS IDENTIFIED BY MARK \triangle OR DOTTED LINE WITH MARK \triangle ON THE SCHEMATIC DIAGRAMS AND IN THE PARTS LIST ARE CRITICAL TO SAFE OPERATION. REPLACE THESE COMPONENTS WITH SONY PARTS WHOSE PART NUMBERS APPEAR AS SHOWN IN THIS MANUAL OR IN SUPPLEMENTS PUBLISHED BY SONY.

NOTES ON HANDLING THE OPTICAL PICK-UP BLOCK OR BASE UNIT

The laser diode in the optical pick-up block may suffer electrostatic breakdown because of the potential difference generated by the charged electrostatic load, etc. on clothing and the human body. During repair, pay attention to electrostatic breakdown and also use the procedure in the printed matter which is included in the repair parts.

The flexible board is easily damaged and should be handled with care.

NOTES ON LASER DIODE EMISSION CHECK

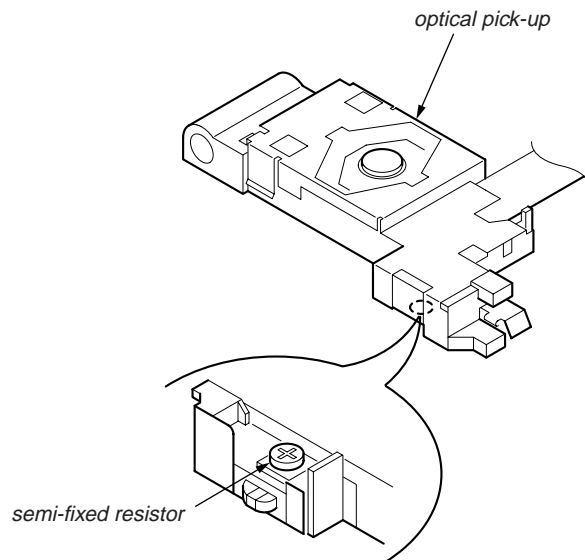
The laser beam on this model is concentrated so as to be focused on the disc reflective surface by the objective lens in the optical pick-up block. Therefore, when checking the laser diode emission, observe from more than 30 cm away from the objective lens.

Notes on Chip Component Replacement

- Never reuse a disconnected chip component.
- Notice that the minus side of a tantalum capacitor may be damaged by heat.

If the optical pick-up block is defective, please replace the whole optical pick-up block.

Never turn the semi-fixed resistor located at the side of optical pick-up block.



TEST DISCS

This set can playback CD-R and CD-ROM discs. The following test discs should be used to check the capability:







CD-R test disc TCD-R082LMT (Part No. J-2502-063-1)
CD-RW test disc TCD-W082L (Part No. J-2502-063-2)

ATTENTION AU COMPOSANT AYANT RAPPORT À LA SÉCURITÉ!!

LES COMPOSANTS IDENTIFIÉS PAR UNE MARQUE \triangle SUR LES DIAGRAMMES SCHÉMATIQUES ET LA LISTE DES PIÈCES SONT CRITIQUES POUR LA SÉCURITÉ DE FONCTIONNEMENT. NE REMPLACER CES COMPOSANTS QUE PAR DES PIÈCES SONY DONT LES NUMÉROS SONT DONNÉS DANS CE MANUEL OU DANS LES SUPPLÉMENTS PUBLIÉS PAR SONY.

• **CD playback**

You can play CD-DA (also containing CD TEXT*), CD-R/CD-RW (MP3/WMA files also containing Multi Session and ATRAC CD (ATRAC3 and ATRAC3plus format).

Type of discs	Label on the disc
CD-DA	 
MP3 WMA ATRAC CD	   

* A CD TEXT disc is a CD-DA that includes information such as disc, artist and track name.

EXTENSION CABLE AND SERVICE POSITION

When repairing or servicing this set, connect the jig (extension cable) as shown below.

- Connect the MAIN board (CN400) and the SERVO board (CN2) with the extension cable (Part No. J-2502-076-1).

• **UNLEADED SOLDER**

Boards requiring use of unleaded solder are printed with the lead free mark (LF) indicating the solder contains no lead. (Caution: Some printed circuit boards may not come printed with the lead free mark due to their particular size.)



Unleaded solder has the following characteristics.

- Unleaded solder melts at a temperature about 40°C higher than ordinary solder.
Ordinary soldering irons can be used but the iron tip has to be applied to the solder joint for a slightly longer time. Soldering irons using a temperature regulator should be set to about 350°C.
Caution: The printed pattern (copper foil) may peel away if the heated tip is applied for too long, so be careful!
- Strong viscosity
Unleaded solder is more viscous (sticky, less prone to flow) than ordinary solder so use caution not to let solder bridges occur such as on IC pins, etc.
- Usable with ordinary solder
It is best to use only unleaded solder but unleaded solder may also be added to ordinary solder.

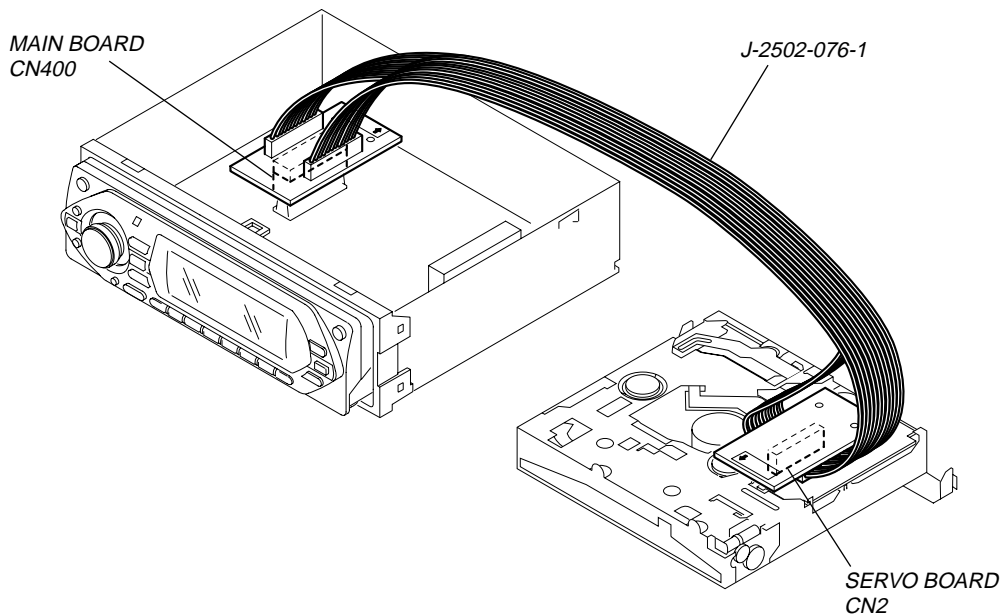


TABLE OF CONTENTS

1. GENERAL

Location of controls and basic operations 5
 Connections 7

2. DISASSEMBLY

2-1. Sub (FL) Panel Assy 12
 2-2. CD Mechanism Block 12
 2-3. Main Board 13
 2-4. Chassis (T) Sub Assy 13
 2-5. Roller Arm Assy 14
 2-6. Chassis (OP) Assy 14
 2-7. Optical Pick-up 15
 2-8. SL Motor Assy (M902) 15
 2-9. LE Motor Assy (M903) 16
 2-10. Servo Board 16

3. DIAGRAMS

3-1. Block Diagram – CD Section – 17
 3-2. Block Diagram – Main Section – 18
 3-3. Block Diagram – Display Section – 19
 3-4. Circuit Boards Location 20
 3-5. Printed Wiring Boards – CD Mechanism Section – 21
 3-6. Schematic Diagram – CD Mechanism Section (1/2) – 22
 3-7. Schematic Diagram – CD Mechanism Section (2/2) – 23
 3-8. Printed Wiring Board – Main Section – 24
 3-9. Schematic Diagram – Main Section (1/3) – 26
 3-10. Schematic Diagram – Main Section (2/3) – 27
 3-11. Schematic Diagram – Main Section (3/3) – 28
 3-12. Printed Wiring Board – Sub Section – 29
 3-13. Schematic Diagram – Sub Section – 30
 3-14. Printed Wiring Board – Key Section – 31
 3-15. Schematic Diagram – Key Section – 32

4. EXPLODED VIEWS

4-1. Main Section 40
 4-2. Front Panel Section 41
 4-3. CD Mechanism Section (1) (MG-611WA-186//Q) 42
 4-4. CD Mechanism Section (2) (MG-611WA-186//Q) 43
 4-5. CD Mechanism Section (3) (MG-611WA-186//Q) 44
 4-6. CD Mechanism Section (4) (MG-611WA-186//Q) 45

5. ELECTRICAL PARTS LIST 46

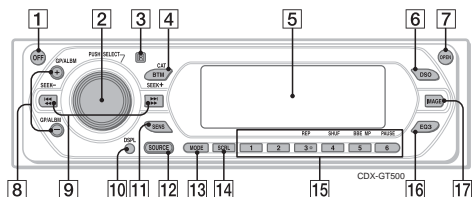
SECTION 1
GENERAL

This section is extracted from instruction manual.

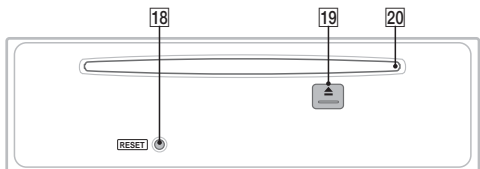
• CDX-GT50W/GT500: US, Canadian Model

Location of controls and basic operations

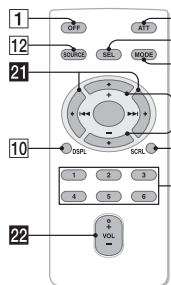
Main unit



Front panel removed



Card remote commander
RM-X151



Refer to the pages listed for details. The corresponding buttons on the card remote commander control the same functions as those on the unit.

- 1 **OFF button**
To power off; stop the source.
- 2 **Volume control dial/select button 9**
To adjust volume (rotate); select setup items (press and rotate).
- 3 **Receptor for the card remote commander**
- 4 **BTM/CAT*1 button 8**
To start the BTM function (press and hold).
- 5 **Display window**
- 6 **DSO button 2**
To select the DSO mode (1, 2, 3 or off). The larger the number, the more enhanced the effect.
- 7 **OPEN button 5**

6

- 8 **GP*2/ALBM*3 +/- buttons*4**
To skip groups/albums (press); skip groups/albums continuously (press and hold).
- 9 **SEEK +/- buttons**
CD:
To skip tracks (press); skip tracks continuously (press, then press again within about 1 second and hold); reverse/fast-forward a track (press and hold).
Radio:
To tune in stations automatically (press); find a station manually (press and hold).
- 10 **DSPL (display) button 8**
To change display items.
- 11 **SENS button**
To improve weak reception: Local/Mono.
- 12 **SOURCE button**
To power on; change the source (Radio/CD/MD*5)/AUX/SAT*1).
- 13 **MODE button 8, 10**
To select the radio band (FM/AM)/select the SAT tuner band (mode)*1/select the unit*6.
- 14 **SCRL (scroll) button**
To scroll the display item.
- 15 **Number buttons**
CD/MD*5:
(3) **REP 8, 10**
(4) **SHUF 8, 10**
(5) **BBE MP*7 2**
To activate the BBE MP function, set "BBE MP on." To cancel, set "BBE MP off."
(6) **PAUSE*7**
To pause playback. To cancel, press again.
Radio:
To receive stored stations (press); store stations (press and hold).
- 16 **EQ3 (equalizer) button 9**
To select an equalizer type (Xplod, Vocal, Edge, Cruise, Space, Gravity, Custom or Off).
- 17 **IMAGE button 2**
To select the display image.
Movie mode 1-3 → Spectrum analyzer mode 1-5 → Space Producer mode → Wall paper mode 1-3 → Normal play/reception mode
- 18 **RESET button 4**

- 19 **(eject) button 5**
To eject the disc.
 - 20 **Disc slot 5**
To insert the disc.
- The following buttons on the card remote commander have also different buttons/functions from the unit.
- 21 **(SEEK) buttons**
To control CD/radio, the same as (SEEK) +/- on the unit.
 - 22 **VOL (volume) +/- button**
To adjust volume.
 - 23 **ATT (attenuate) button**
To attenuate the sound. To cancel, press again.
 - 24 **SEL (select) button**
The same as the select button on the unit.
 - 25 **(+/-) buttons**
To control CD, the same as (GP/ALBM) +/- on the unit.
 - 26 **Number buttons**
To receive stored stations (press); store stations (press and hold).

*1 When the SAT tuner is connected.
*2 When an ATRAC CD is played.
*3 When an MP3/WMA is played.
*4 If the changer is connected, the operation is different, see page 10.
*5 When an MD changer is connected.
*6 When a CD/MD changer is connected.
*7 When playing back on this unit.

Note
If the unit is turned off and the display disappears, it cannot be operated with the card remote commander unless (SOURCE) on the unit is pressed, or a disc is inserted to activate the unit first.

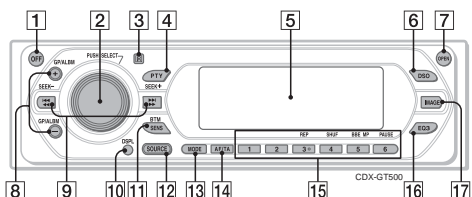
Tip
For details on how to replace the battery, see "Replacing the lithium battery of the card remote commander" on page 13.

7

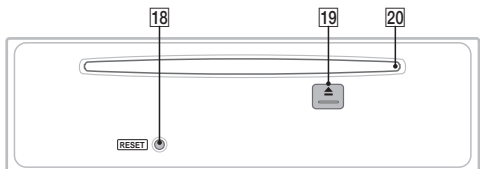
• CDX-GT500: AEP, UK Model

Location of controls and basic operations

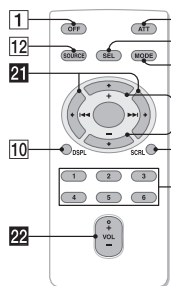
Main unit



Front panel removed



Card remote commander
RM-X151



Refer to the pages listed for details. The corresponding buttons on the card remote commander control the same functions as those on the unit.

- 1 **OFF button**
To power off; stop the source.
- 2 **Volume control dial/select button 11**
To adjust volume (rotate); select setup items (press and rotate).
- 3 **Receptor for the card remote commander**
- 4 **PTY (Programme Type) button 10**
To select PTY in RDS.
- 5 **Display window**
- 6 **DSO button 2**
To select the DSO mode (1, 2, 3 or off). The larger the number, the more enhanced the effect.
- 7 **OPEN button 5**

6

- 8 **GP*1/ALBM*2 +/- buttons*3**
To skip groups/albums (press); skip groups/albums continuously (press and hold).
- 9 **SEEK +/- buttons**
CD:
To skip tracks (press); skip tracks continuously (press, then press again within about 1 second and hold); reverse/fast-forward a track (press and hold).
Radio:
To tune in stations automatically (press); find a station manually (press and hold).
- 10 **DSPL (display) button 8**
To change display items.
- 11 **SENS/BTM button**
To improve weak reception: Local/Mono (press); start the BTM function (press and hold).
- 12 **SOURCE button**
To power on; change the source (Radio/CD/MD*4)/AUX).
- 13 **MODE button 8, 12**
To select the radio band (FM/MW/LW)/select the unit*5.
- 14 **AF (Alternative Frequencies)/TA (Traffic Announcement) button 9**
To set AF and TA/TP in RDS.
- 15 **Number buttons**
CD/MD*4:
(3) **REP 8, 12**
(4) **SHUF 8, 12**
(5) **BBE MP*6 3**
To activate the BBE MP function, set "BBE MP on." To cancel, set "BBE MP off."
(6) **PAUSE*6**
To pause playback. To cancel, press again.
Radio:
To receive stored stations (press); store stations (press and hold).
- 16 **EQ3 (equalizer) button 11**
To select an equalizer type (Xplod, Vocal, Edge, Cruise, Space, Gravity, Custom or Off).
- 17 **IMAGE button 2**
To select the display image.
Movie mode 1-3 → Spectrum analyzer mode 1-5 → Space Producer mode → Wall paper mode 1-3 → Normal play/reception mode
- 18 **RESET button 4**

- 19 **(eject) button 5**
To eject the disc.
 - 20 **Disc slot 5**
To insert the disc.
- The following buttons on the card remote commander have also different buttons/functions from the unit.
- 21 **(SEEK) buttons**
To control CD/radio, the same as (SEEK) +/- on the unit.
 - 22 **VOL (volume) +/- button**
To adjust volume.
 - 23 **ATT (attenuate) button**
To attenuate the sound. To cancel, press again.
 - 24 **SEL (select) button**
The same as the select button on the unit.
 - 25 **(+/-) buttons**
To control CD, the same as (GP/ALBM) +/- on the unit.
 - 26 **SCRL (scroll) button**
To scroll display item.
 - 27 **Number buttons**
To receive stored stations (press); store stations (press and hold).

*1 When an ATRAC CD is played.
*2 When an MP3/WMA is played.
*3 If the changer is connected, the operation is different, see page 12.
*4 When an MD changer is connected.
*5 When a CD/MD changer is connected.
*6 When playing back on this unit.

Note
If the unit is turned off and the display disappears, it cannot be operated with the card remote commander unless (SOURCE) on the unit is pressed, or a disc is inserted to activate the unit first.

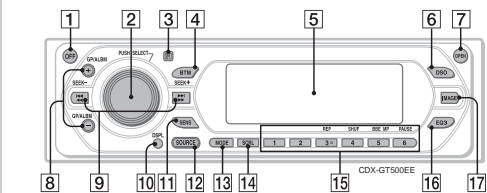
Tip
For details on how to replace the battery, see "Replacing the lithium battery of the card remote commander" on page 15.

7

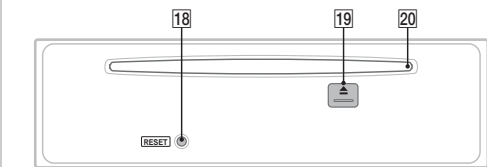
• CDX-GT500EE

Location of controls and basic operations

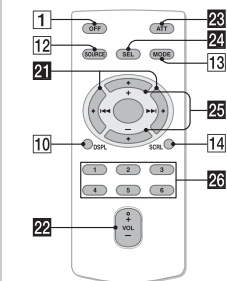
Main unit



Front panel removed



Card remote commander RM-X151



Refer to the pages listed for details. The corresponding buttons on the card remote commander control the same functions as those on the unit.

- 1 **OFF button**
To power off; stop the source.
- 2 **Volume control dial/select button 9**
To adjust volume (rotate); select setup items (press and rotate).
- 3 **Receptor for the card remote commander**
- 4 **BTM button 8**
To start the BTM function (press and hold).
- 5 **Display window**
- 6 **DSO button 2**
To select the DSO mode (1, 2, 3 or off). The larger the number, the more enhanced the effect.
- 7 **OPEN button 5**

- 8 **GP*/ALBM*2 +/- buttons*3**
To skip groups/albums (press); skip groups/albums continuously (press and hold).
 - 9 **SEEK +/- buttons**
CD:
To skip tracks (press); skip tracks continuously (press, then press again within about 1 second and hold); reverse/fast-forward a track (press and hold).
Radio:
To tune in stations automatically (press); find a station manually (press and hold).
 - 10 **DSPL (display) button 8**
To change display items.
 - 11 **SENS button**
To improve weak reception: Local/Mono.
 - 12 **SOURCE button**
To power on; change the source (Radio/CD/MD*/AUX).
 - 13 **MODE button 8, 10**
To select the radio band (FM/AM)/select the unit*5.
 - 14 **SCRL (scroll) button**
To scroll display item.
 - 15 **Number buttons**
CD/MD*4:
③: **REP** 8, 10
④: **SHUF** 8, 10
⑤: **BBE MP***2
To activate the BBE MP function, set "BBE MP on." To cancel, set "BBE MP off."
⑥: **PAUSE***6
To pause playback. To cancel, press again.
Radio:
To receive stored stations (press); store stations (press and hold).
 - 16 **EQ3 (equalizer) button 9**
To select an equalizer type (Xplod, Vocal, Edge, Cruise, Space, Gravity, Custom or Off).
 - 17 **IMAGE button 2**
To select the display image.
Movie mode 1-3 → Spectrum analyzer mode 1-5 → Space Producer mode → Wall paper mode 1-3 → Normal play/reception mode
 - 18 **RESET button 4**
 - 19 **(eject) button 5**
To eject the disc.
 - 20 **Disc slot 5**
To insert the disc.
- The following buttons on the card remote commander have also different buttons/functions from the unit.
- 21 **(←/→) buttons**
To control CD/radio, the same as (SEEK) +/- on the unit.
 - 22 **VOL (volume) +/- button**
To adjust volume.
 - 23 **ATT (attenuate) button**
To attenuate the sound. To cancel, press again.
 - 24 **SEL (select) button**
The same as the select button on the unit.
 - 25 **(+/-) buttons**
To control CD, the same as (GP/ALBM) +/- on the unit.
 - 26 **Number buttons**
To receive stored stations (press); store stations (press and hold).

*1 When an ATRAC CD is played.
*2 When an MP3/WMA is played.
*3 If the changer is connected, the operation is different, see page 10.
*4 When an MD changer is connected.
*5 When a CD/MD changer is connected.
*6 When playing back on this unit.

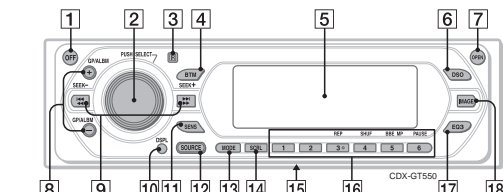
Note
If the unit is turned off and the display disappears, it cannot be operated with the card remote commander unless (SOURCE) on the unit is pressed, or a disc is inserted to activate the unit first.

Tip
For details on how to replace the battery, see "Replacing the lithium battery of the card remote commander" on page 13.

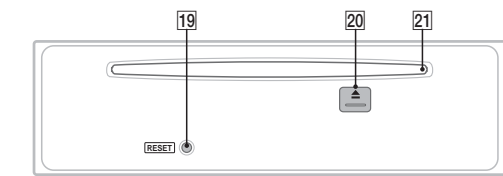
• CDX-GT550

Location of controls and basic operations

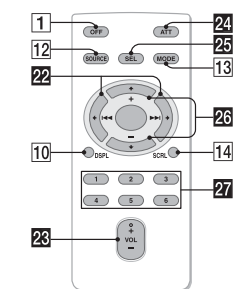
Main unit



Front panel removed



Card remote commander RM-X151



Refer to the pages listed for details. The corresponding buttons on the card remote commander control the same functions as those on the unit.

- 1 **OFF button**
To power off; stop the source.
- 2 **Volume control dial/select button 9**
To adjust volume (rotate); select setup items (press and rotate).
- 3 **Receptor for the card remote commander**
- 4 **BTM button 8**
To start the BTM function (press and hold).
- 5 **Display window**
- 6 **DSO button 2**
To select the DSO mode (1, 2, 3 or off). The larger the number, the more enhanced the effect.
- 7 **OPEN button 5**

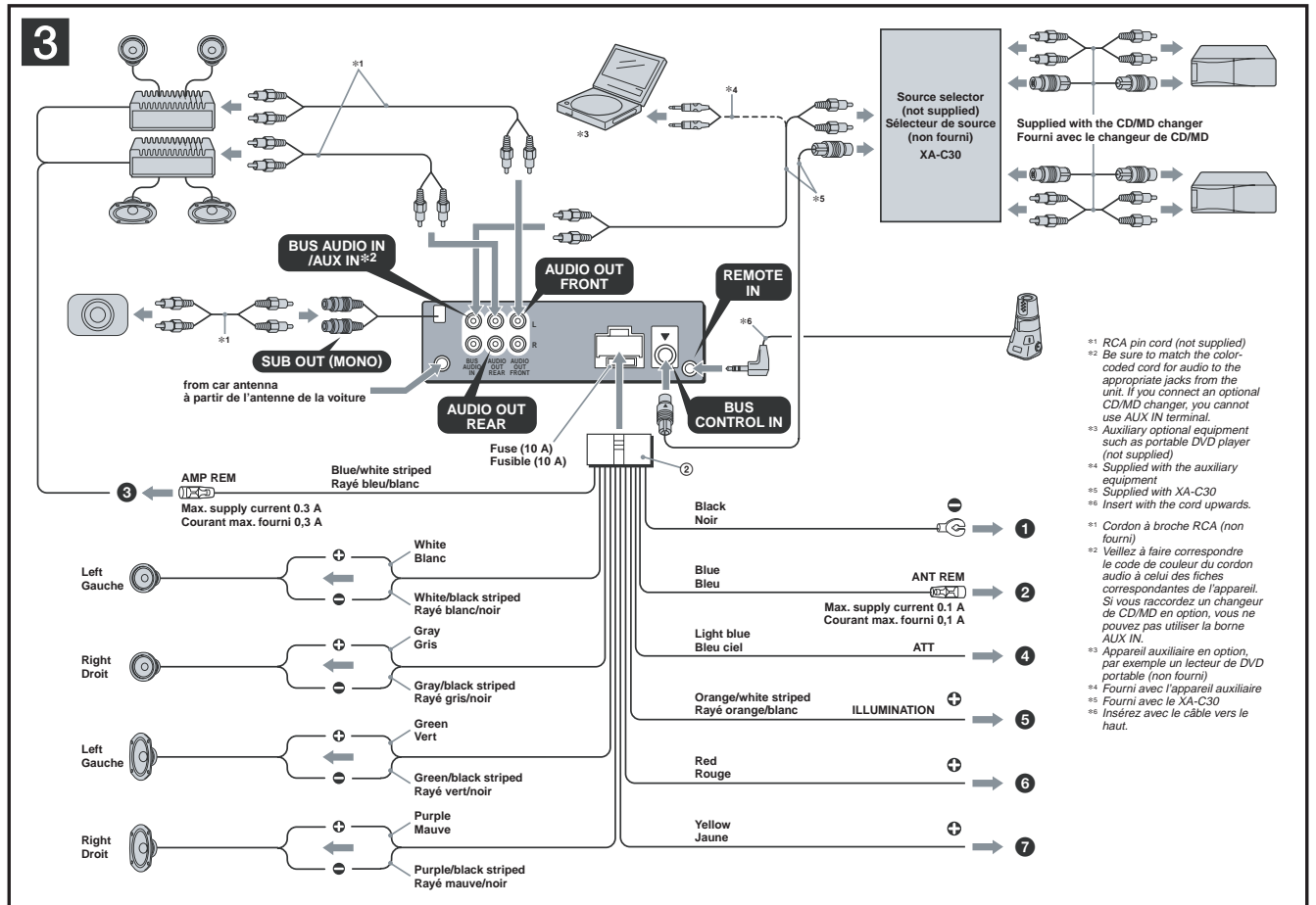
- 8 **GP*/ALBM*2 +/- buttons*3**
To skip groups/albums (press); skip groups/albums continuously (press and hold).
 - 9 **SEEK +/- buttons**
CD:
To skip tracks (press); skip tracks continuously (press, then press again within about 1 second and hold); reverse/fast-forward a track (press and hold).
Radio:
To tune in stations automatically (press); find a station manually (press and hold).
 - 10 **DSPL (display) button 8**
To change display items.
 - 11 **SENS button**
To improve weak reception: Local/Mono.
 - 12 **SOURCE button**
To power on; change the source (Radio/CD/MD*/AUX).
 - 13 **MODE button 8, 10**
To select the radio band (FM/AM)/select the unit*5.
 - 14 **SCRL (scroll) button**
To scroll display item.
 - 15 **Frequency select switch** (located on the bottom of the unit)
See "Frequency Select switch" in the supplied installation/connections manual.
 - 16 **Number buttons**
CD/MD*4:
③: **REP** 8, 10
④: **SHUF** 8, 10
⑤: **BBE MP***2
To activate the BBE MP function, set "BBE MP on." To cancel, set "BBE MP off."
⑥: **PAUSE***6
To pause playback. To cancel, press again.
Radio:
To receive stored stations (press); store stations (press and hold).
 - 17 **EQ3 (equalizer) button 9**
To select an equalizer type (Xplod, Vocal, Edge, Cruise, Space, Gravity, Custom or Off).
 - 18 **IMAGE button 2**
To select the display image.
Movie mode 1-3 → Spectrum analyzer mode 1-5 → Space Producer mode → Wall paper mode 1-3 → Normal play/reception mode
 - 19 **RESET button 4**
 - 20 **(eject) button 5**
To eject the disc.
 - 21 **Disc slot 5**
To insert the disc.
- The following buttons on the card remote commander have also different buttons/functions from the unit.
- 22 **(←/→) buttons**
To control CD/radio, the same as (SEEK) +/- on the unit.
 - 23 **VOL (volume) +/- button**
To adjust volume.
 - 24 **ATT (attenuate) button**
To attenuate the sound. To cancel, press again.
 - 25 **SEL (select) button**
The same as the select button on the unit.
 - 26 **(+/-) buttons**
To control CD, the same as (GP/ALBM) +/- on the unit.
 - 27 **Number buttons**
To receive stored stations (press); store stations (press and hold).

*1 When an ATRAC CD is played.
*2 When an MP3/WMA is played.
*3 If the changer is connected, the operation is different, see page 10.
*4 When an MD changer is connected.
*5 When a CD/MD changer is connected.
*6 When playing back on this unit.

Note
If the unit is turned off and the display disappears, it cannot be operated with the card remote commander unless (SOURCE) on the unit is pressed, or a disc is inserted to activate the unit first.

Tip
For details on how to replace the battery, see "Replacing the lithium battery of the card remote commander" on page 13.

• CONNECTIONS
 • CDX-GT50W/GT500: US, Canadian Model



Connection diagram 3

- To a metal surface of the car**
First connect the black ground lead, then connect the orange/white striped, yellow, and red power input leads.
- To the power antenna control lead or power supply lead of antenna booster amplifier**
Notes
• It is not necessary to connect this lead if there is no power antenna or antenna booster, or with a manually-operated telescopic antenna.
• When your car has a built-in FM/AM antenna in the rear/side glass, see "Notes on the control and power supply leads."
- To AMP REMOTE IN of an optional power amplifier**
This connection is only for amplifiers. Connecting any other system may damage the unit.
- To the interface cable of a car telephone**
- To a car's illumination signal**
Be sure to connect the black ground lead to a metal surface of the car first.
- To the +12 V power terminal which is energized in the accessory position of the ignition key switch**
Notes
• If there is no accessory position, connect to the +12 V power (battery) terminal which is energized at all times. Be sure to connect the black ground lead to a metal surface of the car first.
• When your car has a built-in FM/AM antenna in the rear/side glass, see "Notes on the control and power supply leads."
- To the +12 V power terminal which is energized at all times**
Be sure to connect the black ground lead to a metal surface of the car first.

Notes on the control and power supply leads

- The power antenna control lead (blue) supplies +12 V DC when you turn on the tuner.
- When your car has built-in FM/AM antenna in the rear/side glass, connect the power antenna control lead (blue) or the accessory power input lead (red) to the power terminal of the existing antenna booster. For details, consult your dealer.
- A power antenna without a relay box cannot be used with this unit.

Memory hold connection

When the yellow power input lead is connected, power will always be supplied to the memory circuit even when the ignition switch is turned off.

Notes on speaker connection

- Before connecting the speakers, turn the unit off.
- Use speakers with an impedance of 4 to 8 ohms, and with adequate power handling capacities to avoid its damage.
- Do not connect the speaker terminals to the car chassis, or connect the terminals of the right speakers with those of the left speaker.
- Do not connect the ground lead of this unit to the negative (-) terminal of the speaker.
- Do not attempt to connect the speakers in parallel.
- Connect only passive speakers. Connecting active speakers (with built-in amplifiers) to the speaker terminals may damage the unit.
- To avoid a malfunction, do not use the built-in speaker leads installed in your car if the unit shares a common negative (-) lead for the right and left speakers.
- Do not connect the unit's speaker leads to each other.

Note on connection

If speaker and amplifier are not connected correctly, "Failure" appears in the display. In this case, make sure the speaker and amplifier are connected correctly.

Schéma de raccordement 3

- À un point métallique de la voiture**
Branchez d'abord le fil de masse noir et, ensuite, les fils d'entrée d'alimentation rayé orange/blanc, jaune, et rouge.
- Vers le câble de commande d'antenne électrique ou le câble d'alimentation de l'amplificateur d'antenne**
Remarques
• Il n'est pas nécessaire de raccorder ce câble s'il n'y a pas d'antenne électrique ni d'amplificateur d'antenne, ou avec une antenne télescopique manuelle.
• Si votre voiture est équipée d'une antenne FM/AM intégrée dans la vitre arrière latérale, voir « Remarques sur les câbles de commande et d'alimentation ».
- Au niveau de AMP REMOTE IN de l'amplificateur de puissance en option**
Ce raccordement s'applique uniquement aux amplificateurs. Le branchement de tout autre système risque d'endommager l'appareil.
- Vers le cordon de liaison d'un téléphone de voiture**
- Vers le connecteur du signal d'éclairage de la voiture**
Raccordez d'abord le câble de mise à la masse noir à un point métallique du véhicule.
- À la borne +12 V qui est alimentée quand la clé de contact est sur la position accessoires**
Remarques
• S'il n'y a pas de position accessoires, raccordez la borne d'alimentation (batterie) +12 V qui est alimentée en permanence.
Raccordez d'abord le câble de mise à la masse noir à un point métallique du véhicule.
• Si votre voiture est équipée d'une antenne FM/AM intégrée dans la vitre arrière latérale, voir « Remarques sur les câbles de commande et d'alimentation ».
- À la borne +12 V qui est alimentée en permanence**
Raccordez d'abord le câble de mise à la masse noir à un point métallique du véhicule.

Remarques sur les câbles de commande et d'alimentation

- Le câble de commande d'antenne électrique (bleu) fournit une alimentation de +12 V CC lorsque vous mettez la radio sous tension.
- Lorsque votre voiture est équipée d'une antenne FM/AM intégrée dans la vitre arrière latérale, raccordez le câble de commande d'antenne (bleu) ou l'entrée d'alimentation des accessoires (rouge) à la borne d'alimentation de l'amplificateur d'antenne existant. Pour plus de détails, consultez votre détaillant.
- Une antenne électrique sans boîtier de relais ne peut pas être utilisée avec cet appareil.

Raccordement pour la conservation de la mémoire

Lorsque le câble d'entrée d'alimentation jaune est raccordé, le circuit de la mémoire est alimenté en permanence même si la clé de contact est sur la position d'arrêt.

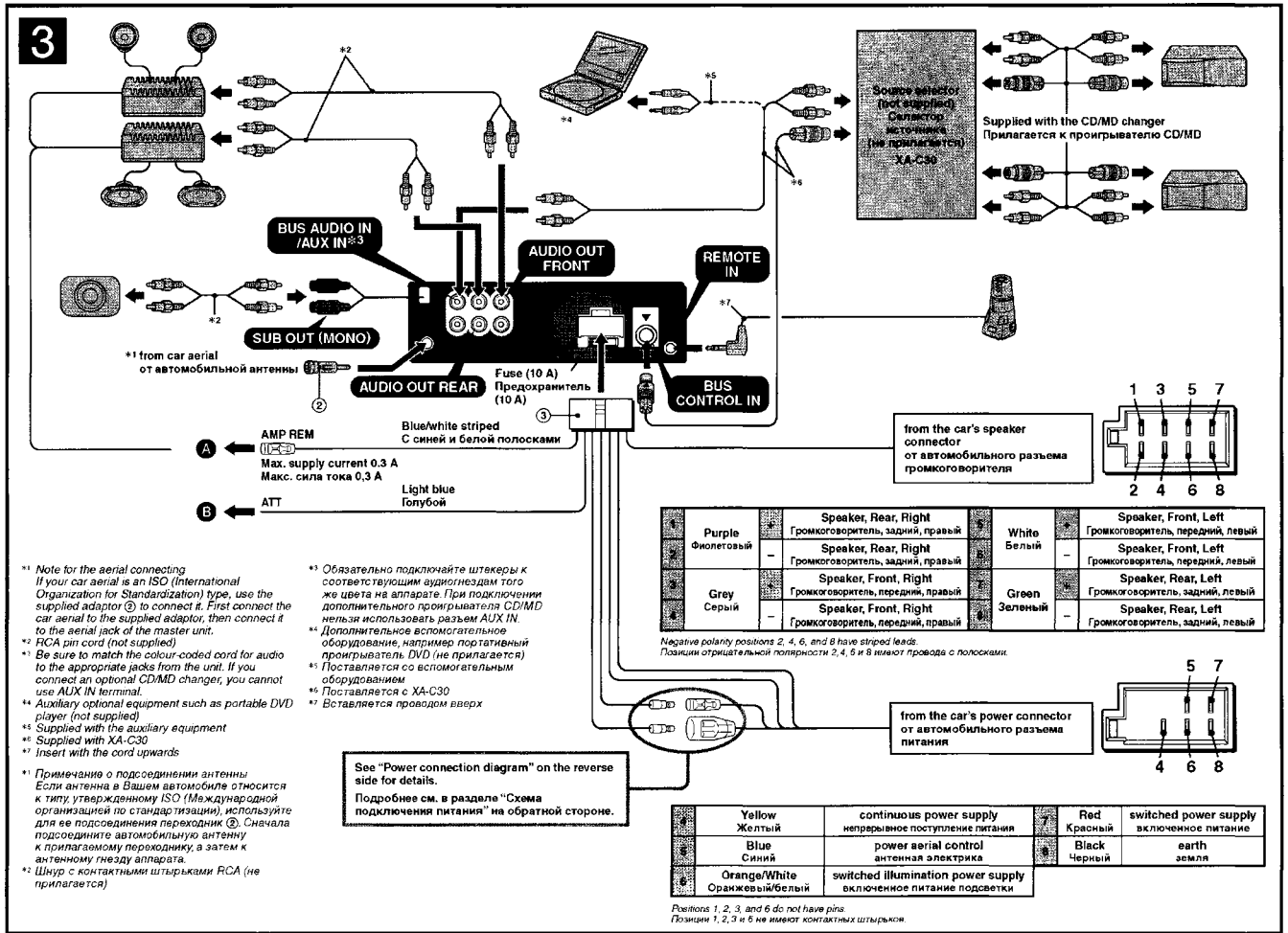
Remarques sur le raccordement des haut-parleurs

- Avant de raccorder les haut-parleurs, mettez l'appareil hors tension.
- Utilisez des haut-parleurs ayant une impédance de 4 à 8 ohms avec une capacité électrique adéquate pour éviter de les endommager.
- Ne raccordez pas les bornes du système de haut-parleurs au châssis de la voiture et ne raccordez pas les bornes des haut-parleurs droit à celles du haut-parleur gauche.
- Ne raccordez pas le câble de mise à la masse de cet appareil à la borne négative (-) du haut-parleur.
- N'essayez pas de raccorder les haut-parleurs en parallèle.
- Raccordez uniquement des haut-parleurs passifs. Le raccordement de haut-parleurs actifs (avec amplificateurs intégrés) aux bornes des haut-parleurs peut endommager l'appareil.
- Pour éviter tout problème de fonctionnement, n'utilisez pas les câbles des haut-parleurs intégrés installés dans votre voiture si l'appareil partage un câble négatif commun (-) pour les haut-parleurs droit et gauche.
- Ne raccordez pas entre eux les cordons des haut-parleurs de l'appareil.

Remarque sur le raccordement

Si les haut-parleurs et l'amplificateur ne sont pas raccordés correctement, le message « Failure » s'affiche. Dans ce cas, assurez-vous que les haut-parleurs et l'amplificateur sont bien raccordés.

• CDX-GT500EE



Connection diagram 3

- ④ To AMP REMOTE IN of an optional power amplifier
This connection is only for amplifiers. Connecting any other system may damage the unit.
- ⑥ To the interface cable of a car telephone

Warning

If you have a power aerial without a relay box, connecting this unit with the supplied power connecting lead ③ may damage the aerial.

- Notes on the control and power supply leads**
- The power aerial control lead (blue) supplies +12 V DC when you turn on the tuner.
 - When your car has built-in FM/AM aerial in the rear/side glass, connect the power aerial control lead (blue) or the accessory power input lead (red) to the power terminal of the existing aerial booster. For details, consult your dealer.
 - A power aerial without a relay box cannot be used with this unit.

Memory hold connection
When the yellow power input lead is connected, power will always be supplied to the memory circuit even when the ignition switch is turned off.

- Notes on speaker connection**
- Before connecting the speakers, turn the unit off.
 - Use speakers with an impedance of 4 to 8 ohms, and with adequate power handling capacities to avoid its damage.
 - Do not connect the speaker terminals to the car chassis, or connect the terminals of the right speakers with those of the left speaker.
 - Do not connect the earth lead of this unit to the negative (-) terminal of the speaker.
 - Do not attempt to connect the speakers in parallel.
 - Connect only passive speakers. Connecting active speakers (with built-in amplifiers) to the speaker terminals may damage the unit.
 - To avoid a malfunction, do not use the built-in speaker leads installed in your car if the unit shares a common negative (-) lead for the right and left speakers.
 - Do not connect the unit's speaker leads to each other.

Note on connection
If speaker and amplifier are not connected correctly, "Failure" appears in the display. In this case, make sure the speaker and amplifier are connected correctly.

Схема подсоединения 3

- ④ Подключение к входу AMP REMOTE IN дополнительного усилителя мощности
Этот вариант подключения используется только для усилителей. Подключения любой другой системы может привести к повреждению аппарата.
- ⑥ К интерфейсному кабелю автомобильного телефона

Предостережение

Если Вы используете антенну с электрическим приводом без релейного блока, подсоединение этого аппарата посредством прилагаемого шнура питания ③ может привести к повреждению антенны.

- О проводах управления и питания**
- При включении тюнера по проводу питания приемной антенны (синему) подается напряжение +12 В постоянного тока.
 - Если на заднем/боксовом стекле автомобиля установлена встроенная антенна дисков FM/AM, подсоедините провод питания приемной антенны (синий) или провод питания аппарата (красный) к клемме питания существующего усилителя антенны. Чтобы получить дополнительные сведения, обратитесь к своему дилеру.
 - Антенна с электрическим приводом, не снабженная релейным блоком, с этим аппаратом использоваться не может.

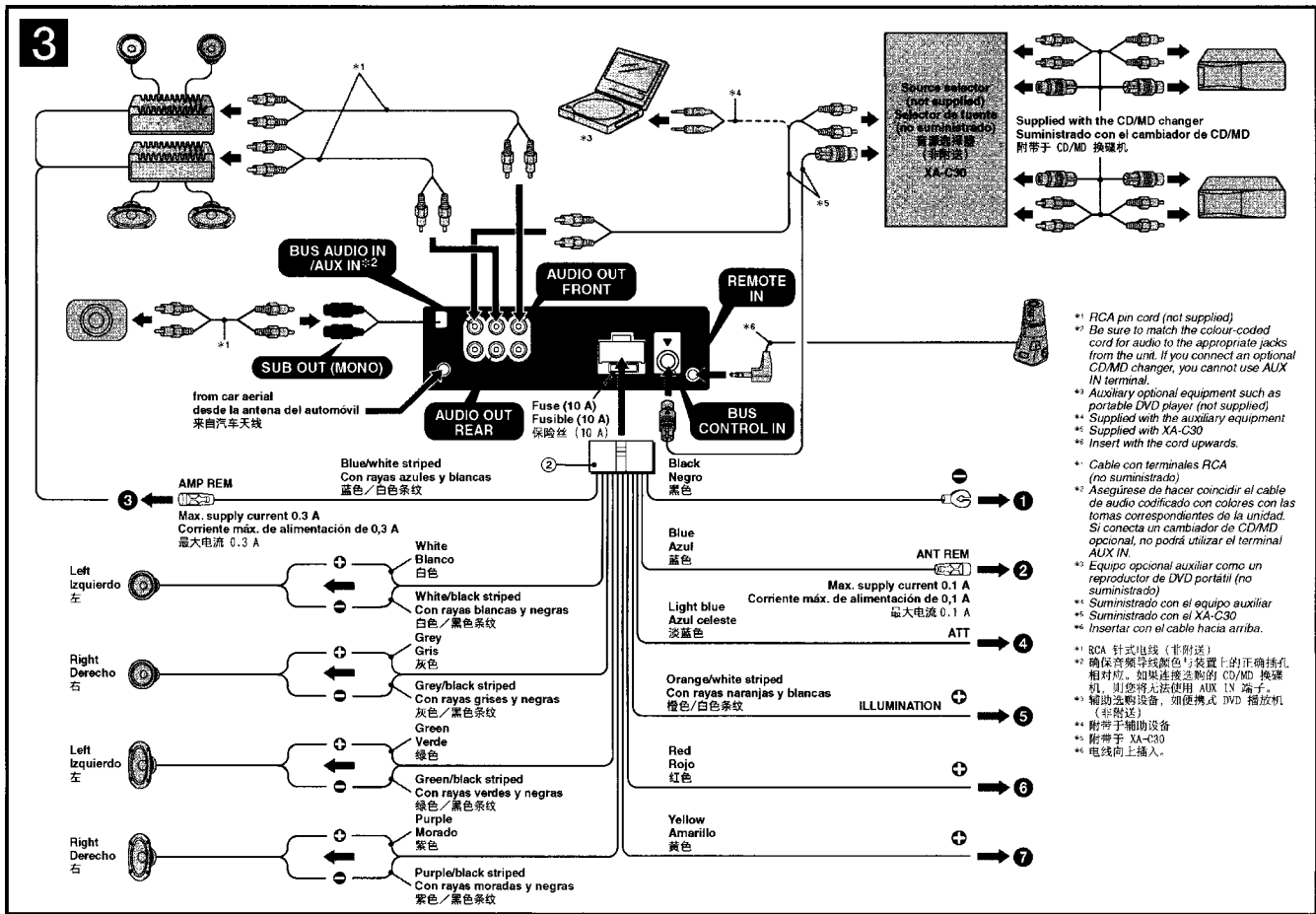
Подсоединение для поддержки памяти
Когда к аппарату подсоединен желтый электрический провод, блок памяти будет постоянно получать питание даже при выключенном зажигании.

Примечания относительно подсоединения громкоговорителей

- Прежде чем подсоединить громкоговорители, выключите аппарат.
- Используйте громкоговорители с полным сопротивлением 4 - 8 Ом, обладающие способностью принимать достаточно мощный сигнал. В противном случае они могут быть повреждены.
- Не подсоединяйте контактные гнезда громкоговорителя к шасси автомобиля и не соединяйте гнезда правого громкоговорителя с гнездами левого.
- Не подсоединяйте провод заземления аппарата к отрицательному (-) контакту громкоговорителя.
- Не пытайтесь подсоединить громкоговорители параллельно.
- Подсоединять можно только пассивные громкоговорители. Подсоединение активных громкоговорителей (со встроенным усилителем) к гнездам для громкоговорителей может привести к повреждению аппарата.
- Во избежание неправильной работы аппарата не используйте встроенные в автомобиль провода громкоговорителей, если используется общий отрицательный провод (-) для правого и левого громкоговорителей.
- Не подсоединяйте друг к другу провода громкоговорительного аппарата.

Примечание относительно подсоединения
Если громкоговоритель и усилитель подсоединены неправильно, на дисплее отобразится надпись "Failure". В этом случае проверьте правильность подсоединения громкоговорителя и усилителя.

• CDX-GT550



Connection diagram 3

- To a metal surface of the car**
First connect the black earth lead, then connect the orange/white striped, yellow, and red power input leads.
- To the power aerial control lead or power supply lead of aerial booster amplifier**
Notes:
• It is not necessary to connect this lead if there is no power aerial or aerial booster, or with a manually-operated telescopic aerial.
• When your car has a built-in FM/AM aerial in the rear/side glass, see "Notes on the control and power supply leads."
- To AMP REMOTE IN of an optional power amplifier**
This connection is only for amplifiers. Connecting any other system may damage the unit.
- To the interface cable of a car telephone**
- To a car's illumination signal**
- To a car's ignition signal**
Be sure to connect the black earth lead to a metal surface of the car first.
- To the +12 V power terminal which is energized in the accessory position of the ignition key switch**
Notes:
• If there is no accessory position, connect to the +12 V power (battery) terminal which is energized at all times. Be sure to connect the black earth lead to a metal surface of the car first.
• When your car has a built-in FM/AM aerial in the rear/side glass, see "Notes on the control and power supply leads."
- To the +12 V power terminal which is energized at all times**
Be sure to connect the black earth lead to a metal surface of the car first.

Notes on the control and power supply leads

- The power aerial control lead (blue) supplies +12 V DC when you turn on the tuner.
- When your car has built-in FM/AM aerial in the rear/side glass, connect the power aerial control lead (blue) or the accessory power input lead (red) to the power terminal of the existing aerial booster. For details, consult your dealer.
- A power aerial without a relay box cannot be used with this unit.

Memory hold connection

When the yellow power input lead is connected, power will always be supplied to the memory circuit even when the ignition switch is turned off.

Notes on speaker connection

- Before connecting the speakers, turn the unit off.
- Use speakers with an impedance of 4 to 8 ohms, and with adequate power handling capacities to avoid its damage.
- Do not connect the speaker terminals to the car chassis, or connect the terminals of the right speakers with those of the left speaker.
- Do not connect the earth lead of this unit to the negative (-) terminal of the speaker.
- Do not attempt to connect the speakers in parallel. Connect only passive speakers. Connecting active speakers (with built-in amplifiers) to the speaker terminals may damage the unit.
- To avoid a malfunction, do not use the built-in speaker leads installed in your car if the unit shares a common negative (-) lead for the right and left speakers.
- Do not connect the unit's speaker leads to each other.

Notes on connection

If speaker and amplifier are not connected correctly, "Failure" appears in the display. In this case, make sure the speaker and amplifier are connected correctly.

Diagrama de conexión 3

- A una superficie metálica del automóvil**
Conecte primero el cable de conexión a masa negro, y después los cables con rayas naranja y blancas, amarillo, y rojo de entrada de alimentación.
- Al cable de control de la antena motorizada o al cable de fuente de alimentación del amplificador de señal de la antena**
Notes:
• Si no se dispone de antena motorizada ni de amplificador de antena, o se utiliza una antena telescópica accionada manualmente, no será necesario conectar este cable.
• Si el automóvil incorpora una antena de FM/AM en el cristal trasero o lateral, consulte "Notas sobre los cables de control y de fuente de alimentación."
- A AMP REMOTE IN de un amplificador de potencia opcional**
Esta conexión es sólo para amplificadores. La conexión de cualquier otro sistema puede dañar la unidad.
- Al cable de interfaz de un teléfono para automóvil**
- A una señal de iluminación del automóvil**
- Al terminal de alimentación de +12 V que recibe energía en la posición de accesorio del interruptor de la llave de encendido**
Notes:
• Si no hay posición de accesorio, conéctelo al terminal de alimentación (batería) de +12 V que recibe energía sin interrupción.
• Asegúrese de conectar primero el cable de conexión a masa negro a una superficie metálica del automóvil.
• Si el automóvil incorpora una antena de FM/AM en el cristal trasero o lateral, consulte "Notas sobre los cables de control y de fuente de alimentación."
- Al terminal de alimentación de +12 V que recibe energía sin interrupción**
Asegúrese de conectar primero el cable de conexión a masa negro a una superficie metálica del automóvil.

Notes sobre los cables de control y de fuente de alimentación

- El cable de control de la antena motorizada (azul) suministrará cc de +12 V cuando conecte la alimentación del sintonizador.
- Si el automóvil dispone de una antena de FM/AM incorporada en el cristal trasero o lateral, consulte el cable de control de antena motorizada (azul) o el cable de entrada de alimentación auxiliar (rojo) al terminal de alimentación del amplificador de antena existente. Para obtener más información, consulte a su distribuidor.
- Con esta unidad no es posible utilizar una antena motorizada sin caja de relé.

Cajón para protección de la memoria

Si conecta el cable de entrada de alimentación amarillo, el circuito de la memoria recibirá siempre alimentación, aunque apague el interruptor de encendido.

Notes sobre la conexión de los altavoces

- Antes de conectar los altavoces, desconecte la alimentación de la unidad.
- Utilice altavoces con una impedancia de 4 a 8 Ω con la capacidad de potencia adecuada para evitar que se dañen.
- No conecte los terminales de altavoz al chasis del automóvil, ni conecte los terminales del altavoz derecho con los del izquierdo.
- No conecte el cable de conexión a masa de esta unidad al terminal negativo (-) del altavoz.
- No intente conectar los altavoces en paralelo.
- Conecte solamente altavoces pasivos. Si conecta altavoces activos (con amplificadores incorporados) a los terminales de altavoz, puede dañar la unidad.
- Para evitar fallos de funcionamiento, no utilice los cables de altavoz incorporados instalados en el automóvil si la unidad comparte un cable negativo común (-) para los altavoces derecho e izquierdo.
- No conecte los cables de altavoz de la unidad entre sí.

Nota sobre la conexión

Si el altavoz y el amplificador no están conectados correctamente, aparecerá "Failure" en la pantalla. En tal caso compruebe la conexión de ambos dispositivos.

线路连接图 3

- 至汽车金属表面**
首先连接蓝色接地导线, 然后连接橙色/白色条纹、黄色以及红色电源线。
- 至电动天线控制导线或天线升放大器的电源导线**
注:
• 如果设有电动天线或天线升放大器, 或有手动伸缩式天线, 则无需连接此导线。
• 若汽车后窗/侧玻璃窗内有内置 FM/AM 天线, 请参见“关于控制导线和电源导线的注意事项”。
- 至选购的功率放大器的 AMP REMOTE IN**
此连接仅适用于功率放大器。连接其它系统可能损坏本机。
- 至车载电话接口电缆**
- 至汽车照明信号**
必须首先将蓝色接地导线连接至汽车金属表面。
- 至 +12 V 电源端子, 该端子在点火开关附件位置通电**
注:
• 如果没有附件位置, 则连接至 +12 V 电源 (蓄电池) 端子。该端子随时处于通电状态。
• 确保首先将蓝色接地导线连接至汽车金属表面。
• 若汽车后窗/侧玻璃窗内有内置 FM/AM 天线, 请参见“关于控制导线和电源导线的注意事项”。
- 至 +12 V 电源端子, 该端子随时处于通电状态**
确保首先将蓝色接地导线连接至汽车金属表面。

关于控制导线和电源导线的注意事项

- 如果设有附件位置, 则连接至 +12 V 电源 (蓄电池) 端子。该端子随时处于通电状态。
- 确保首先将蓝色接地导线连接至汽车金属表面。
- 当汽车的后/侧玻璃窗内有内置 FM/AM 天线时, 请参见“关于控制导线和电源导线的注意事项”。
- 本机不能使用不具备继电器盒的电动天线。

保持记忆的电路连接法

当连接了黄色电源输入电线时, 即使点火开关关闭, 电源仍将记忆电路供电。

关于扬声器连接的注意事项

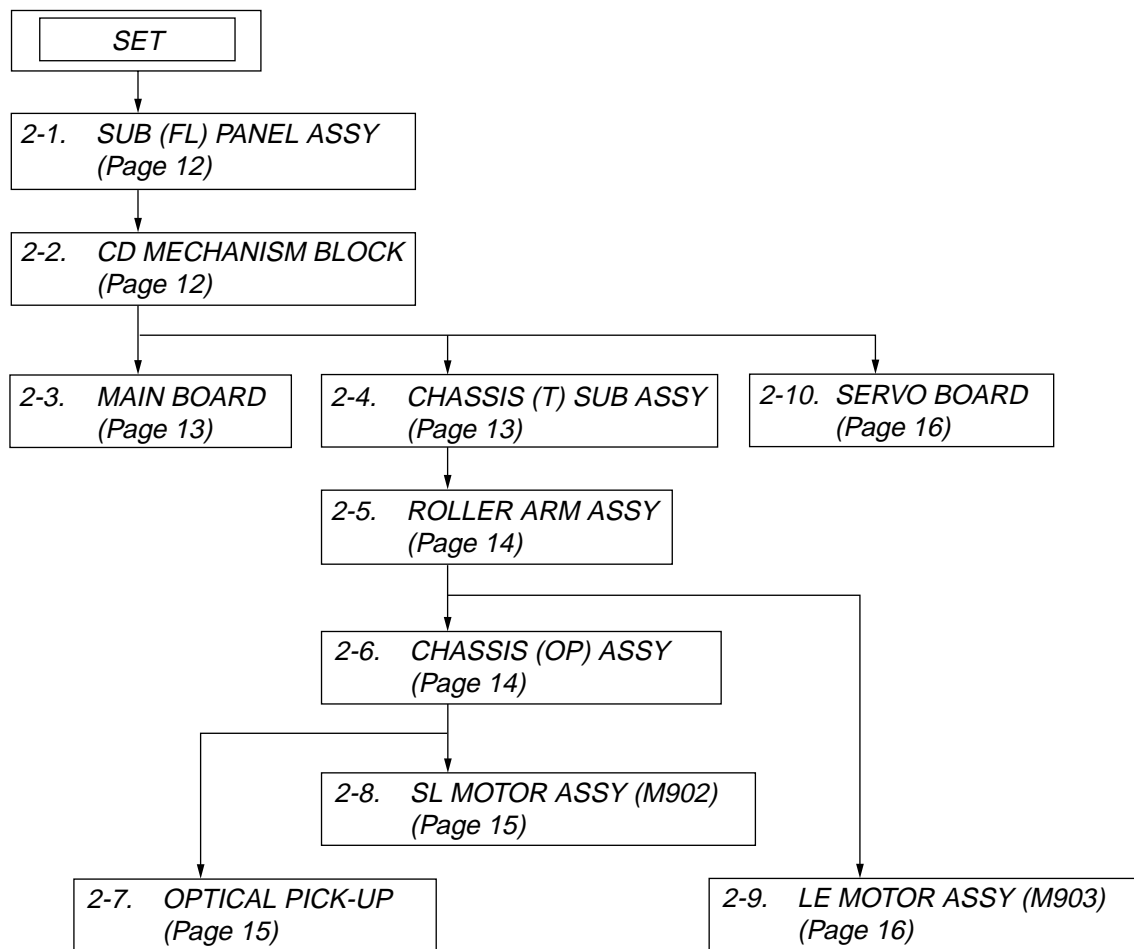
- 连接扬声器之前, 请关闭本机电源。
- 请使用阻抗为 4-8 Ω 欧姆且具有足够功率处理能力的扬声器, 以免损坏。
- 请勿将扬声器端子连接到汽车底盘上, 或将右扬声器的端子与左扬声器的端子连接。
- 请勿将本机的接地线连接到扬声器的负载 (-) 端子上。
- 扬声器不可并联连接。
- 只连接被动型扬声器。将带有内置扬声器 (具有内置放大器) 连接到扬声器端子可能会损坏本机。
- 若本机使用左、右扬声器的共用负载 (-) 电线, 为了避免故障, 切勿将汽车底盘与汽车的内置扬声器连接。
- 请勿将本机扬声器电线相互连接。

连接的注意事项

如果未正确连接扬声器和放大器, 显示屏上会出现 "Failure"。这时, 请确认扬声器和放大器是否连接正确。

**SECTION 2
DISASSEMBLY**

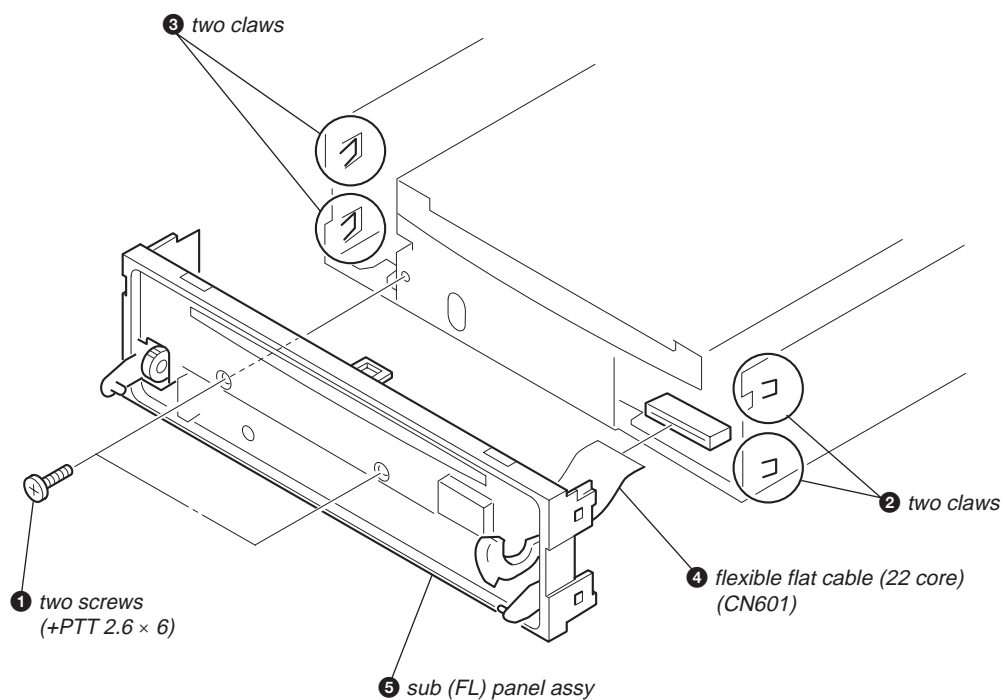
Note : This set can be disassemble according to the following sequence.



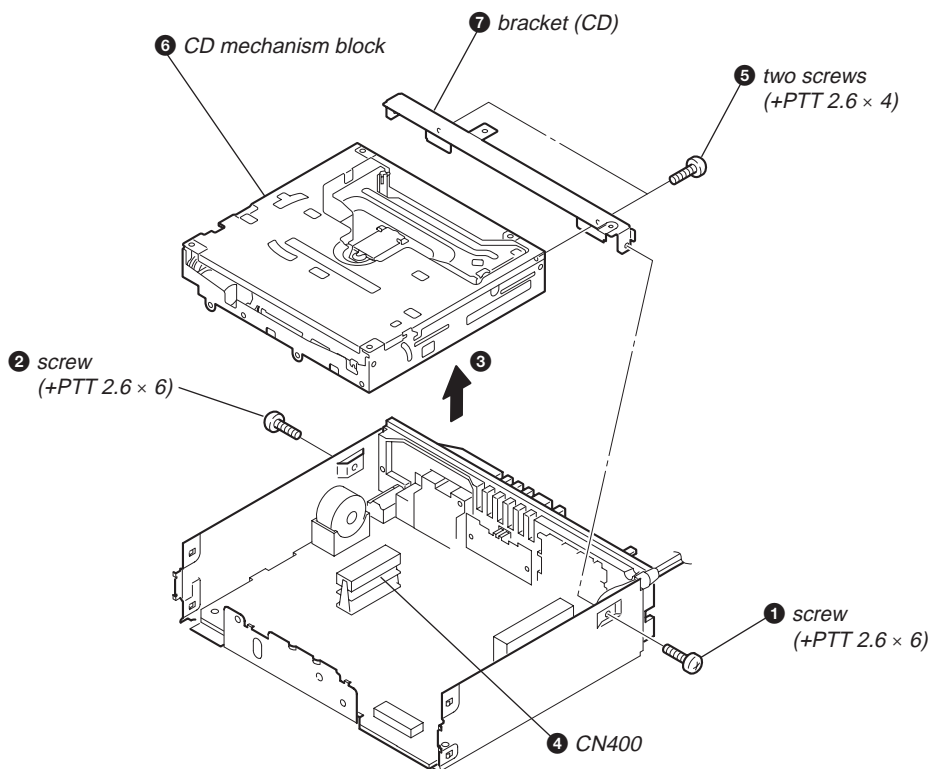
CDX-GT50W/GT500/GT500EE/GT550

Note : Follow the disassembly procedure in the numerical order given.

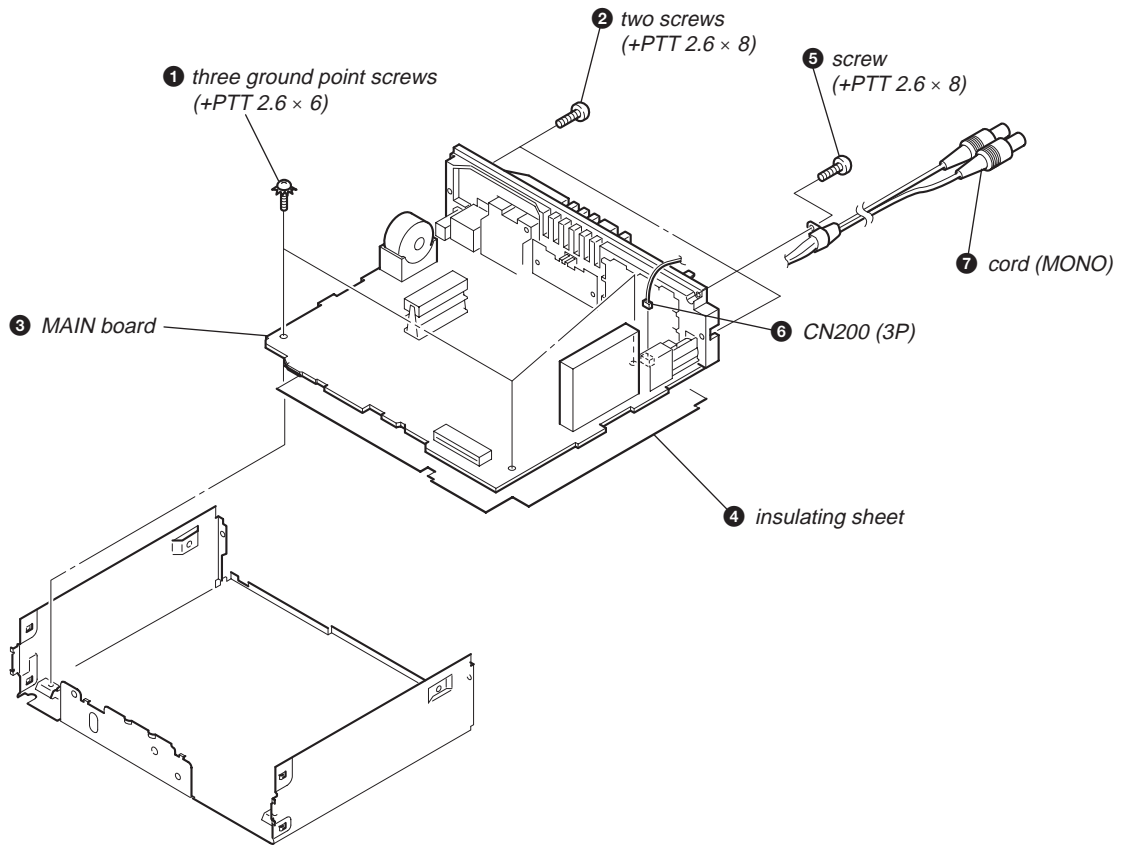
2-1. SUB (FL) PANEL ASSY



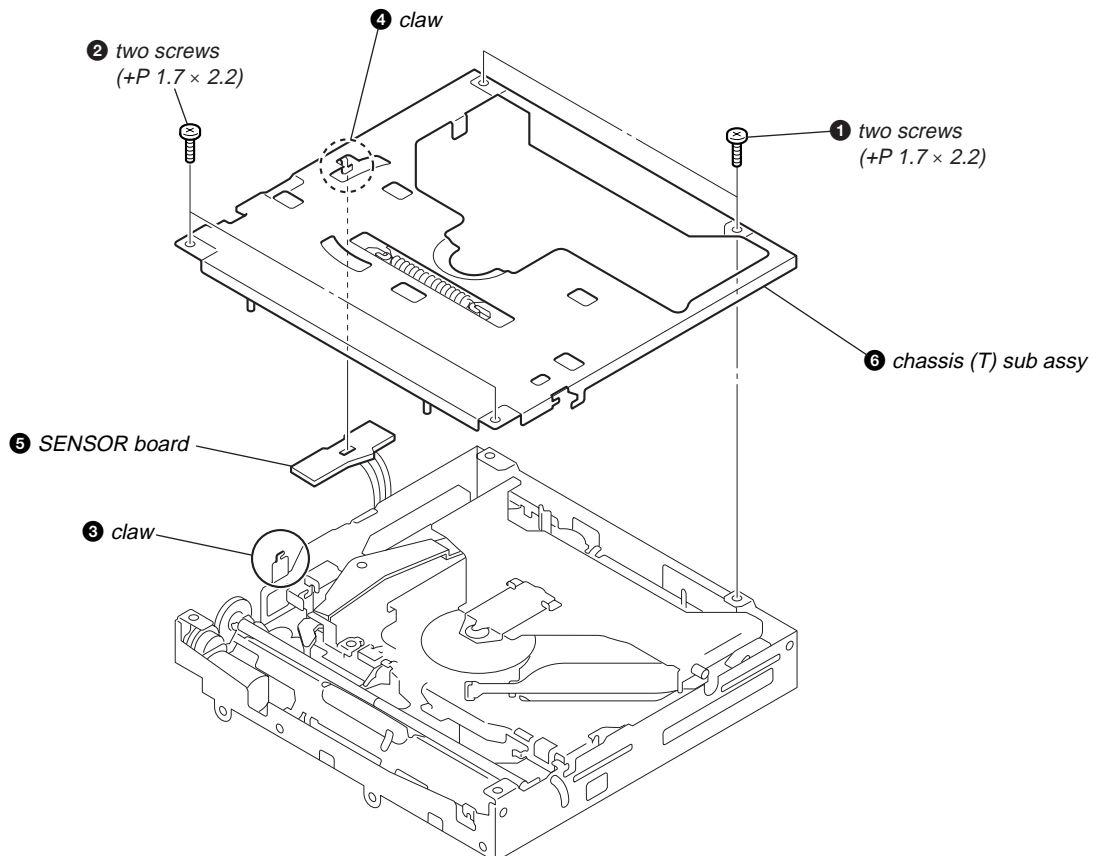
2-2. CD MECHANISM BLOCK



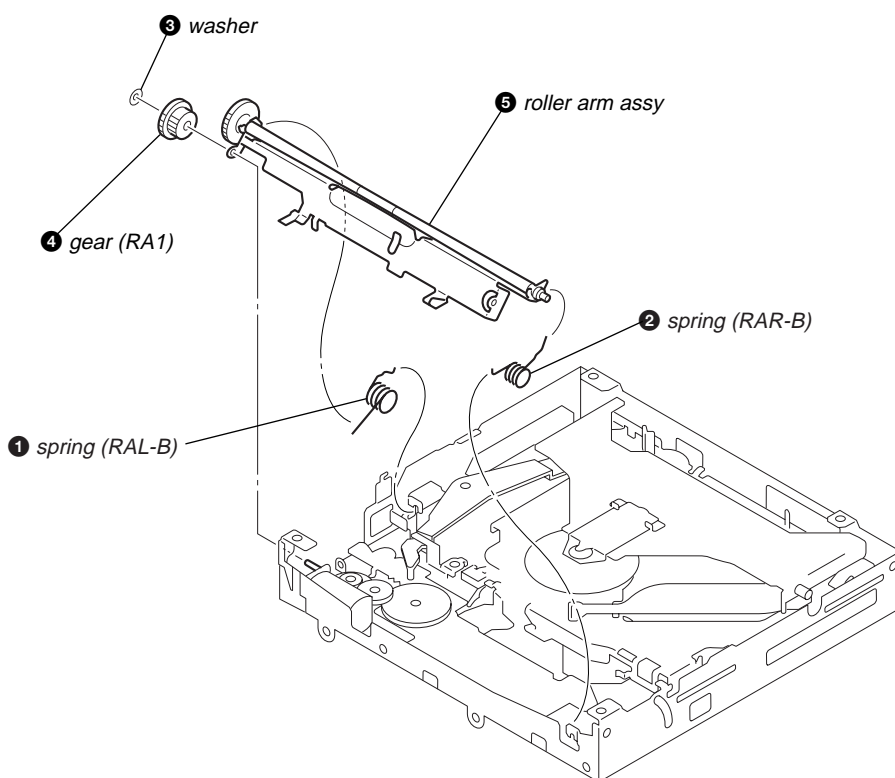
2-3. MAIN BOARD



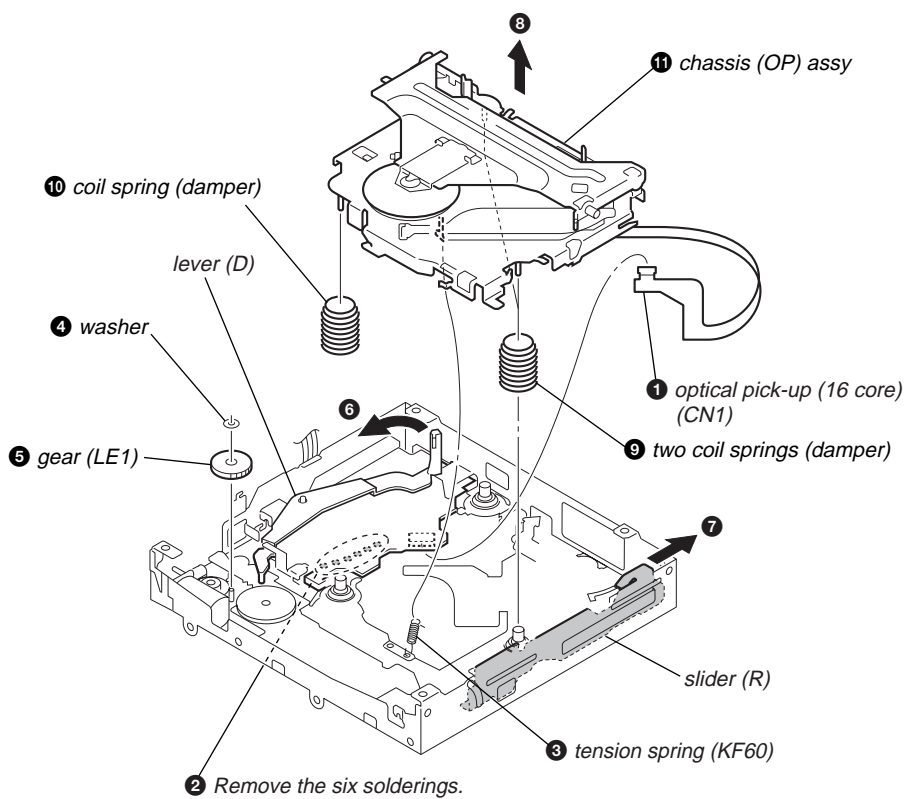
2-4. CHASSIS (T) SUB ASSY



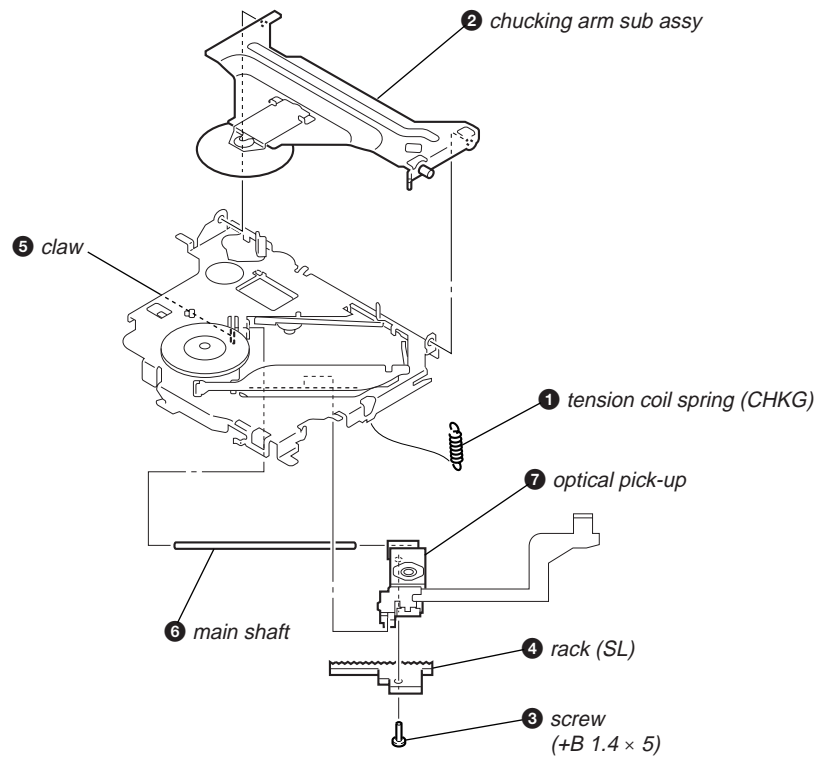
2-5. ROLLER ARM ASSY



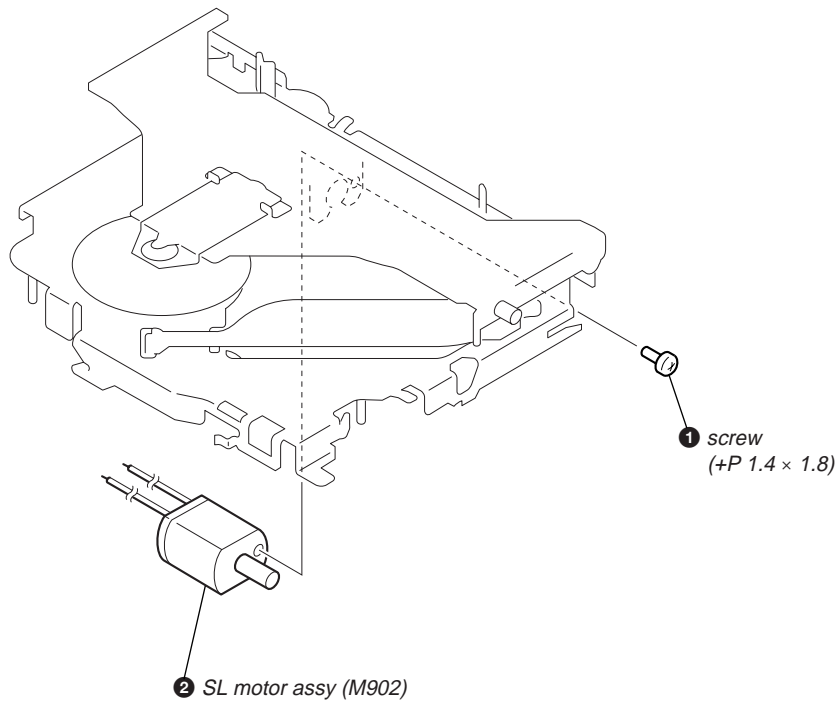
2-6. CHASSIS (OP) ASSY



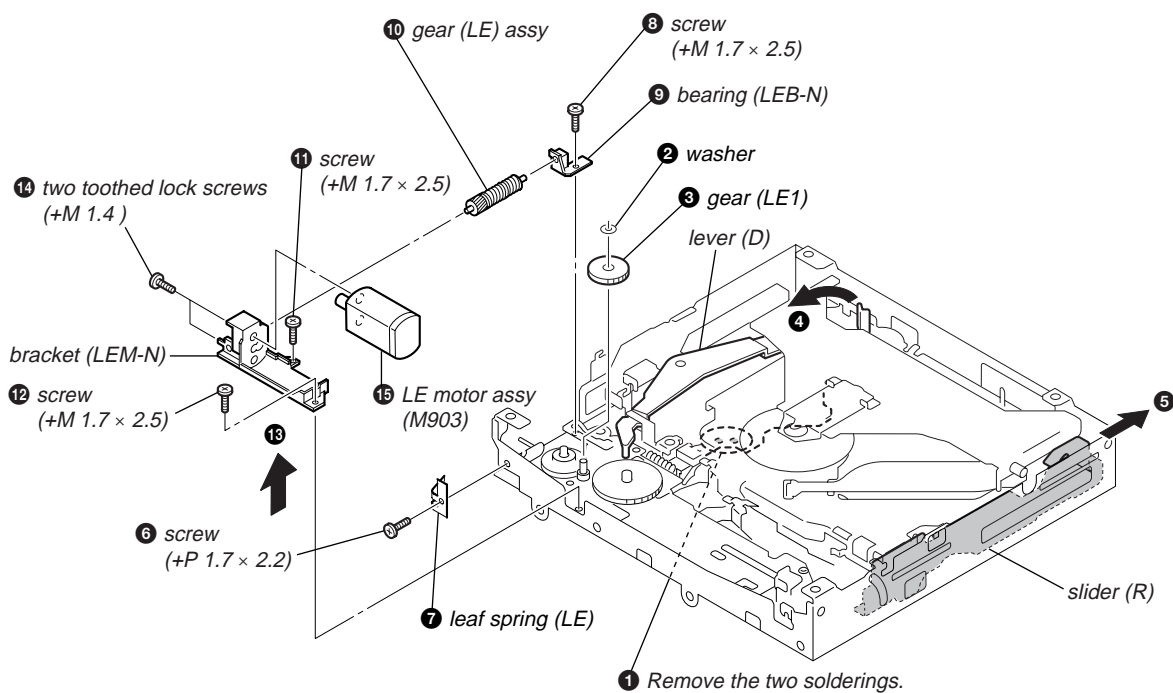
2-7. OPTICAL PICK-UP



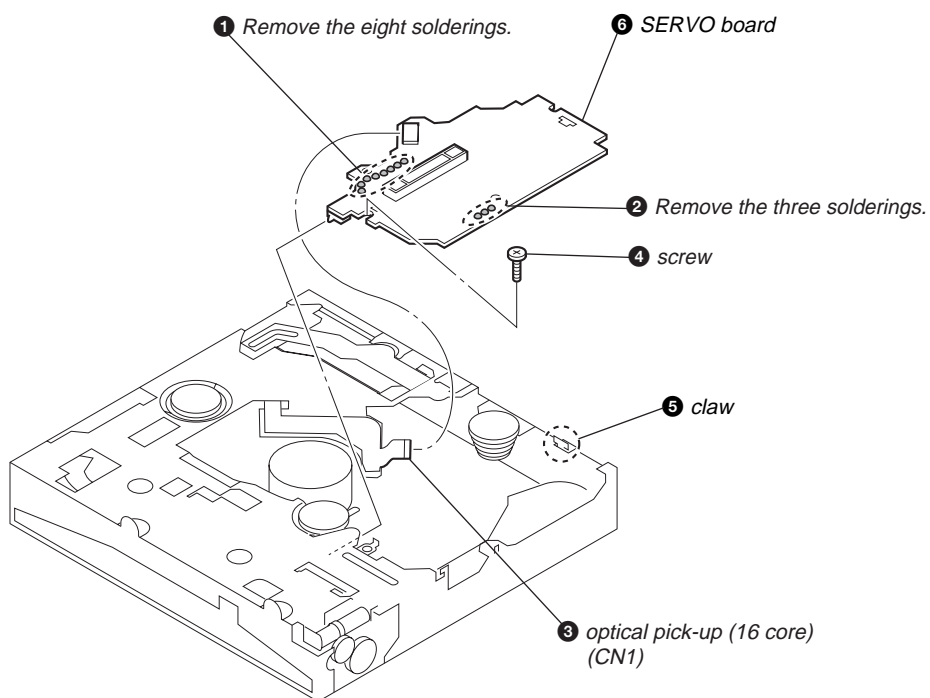
2-8. SL MOTOR ASSY (M902)



2-9. LE MOTOR ASSY (M903)

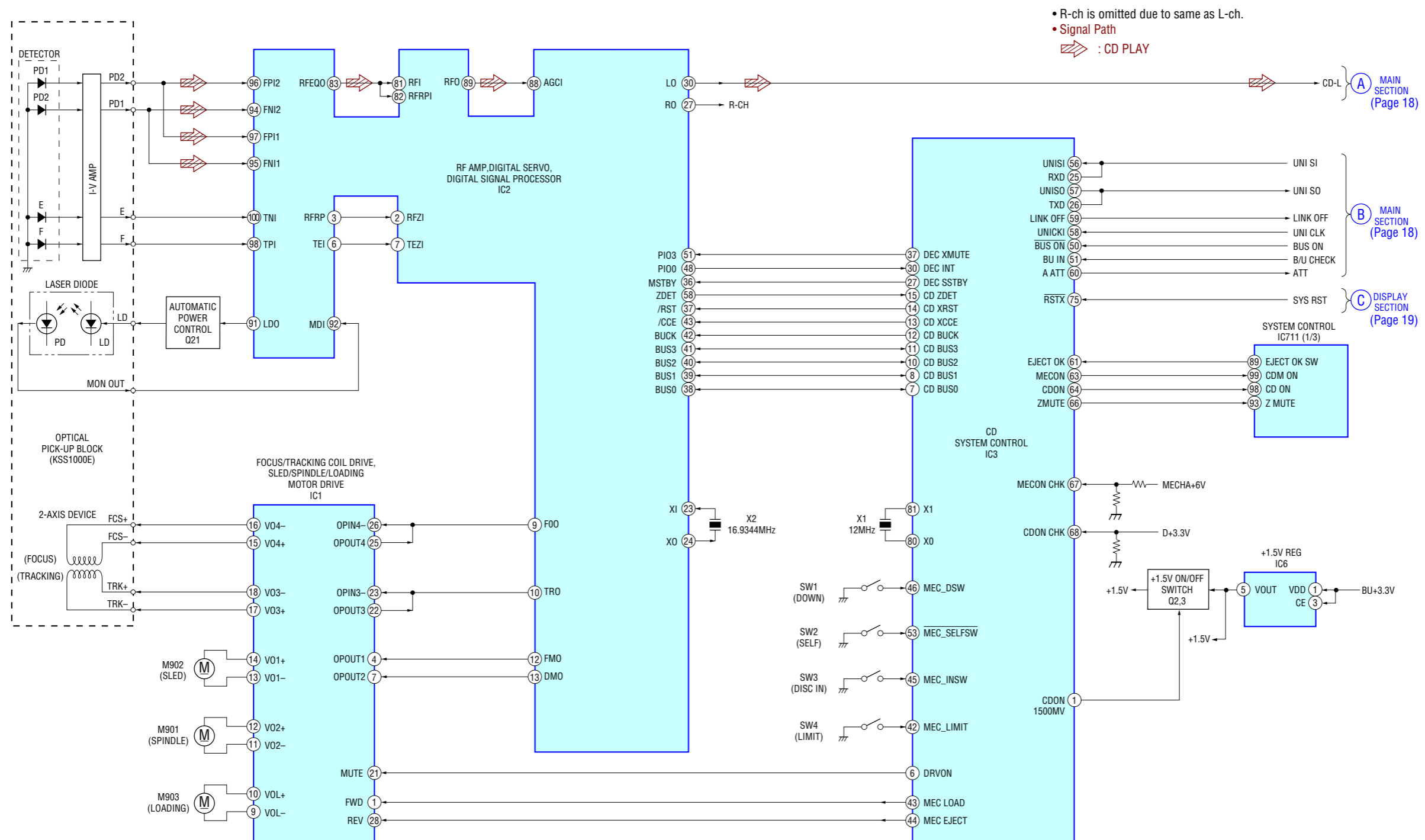


2-10. SERVO BOARD

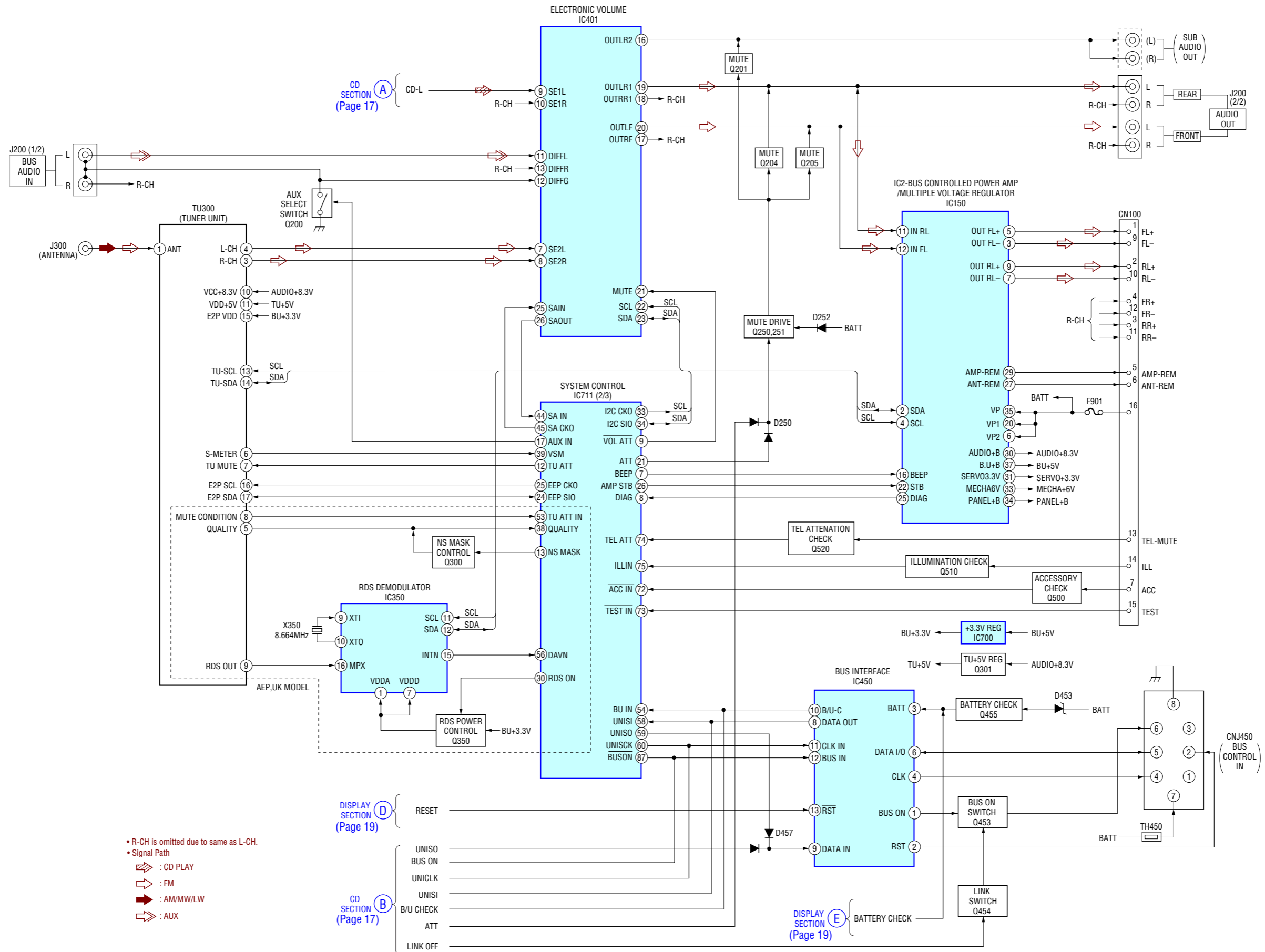


SECTION 3
DIAGRAMS

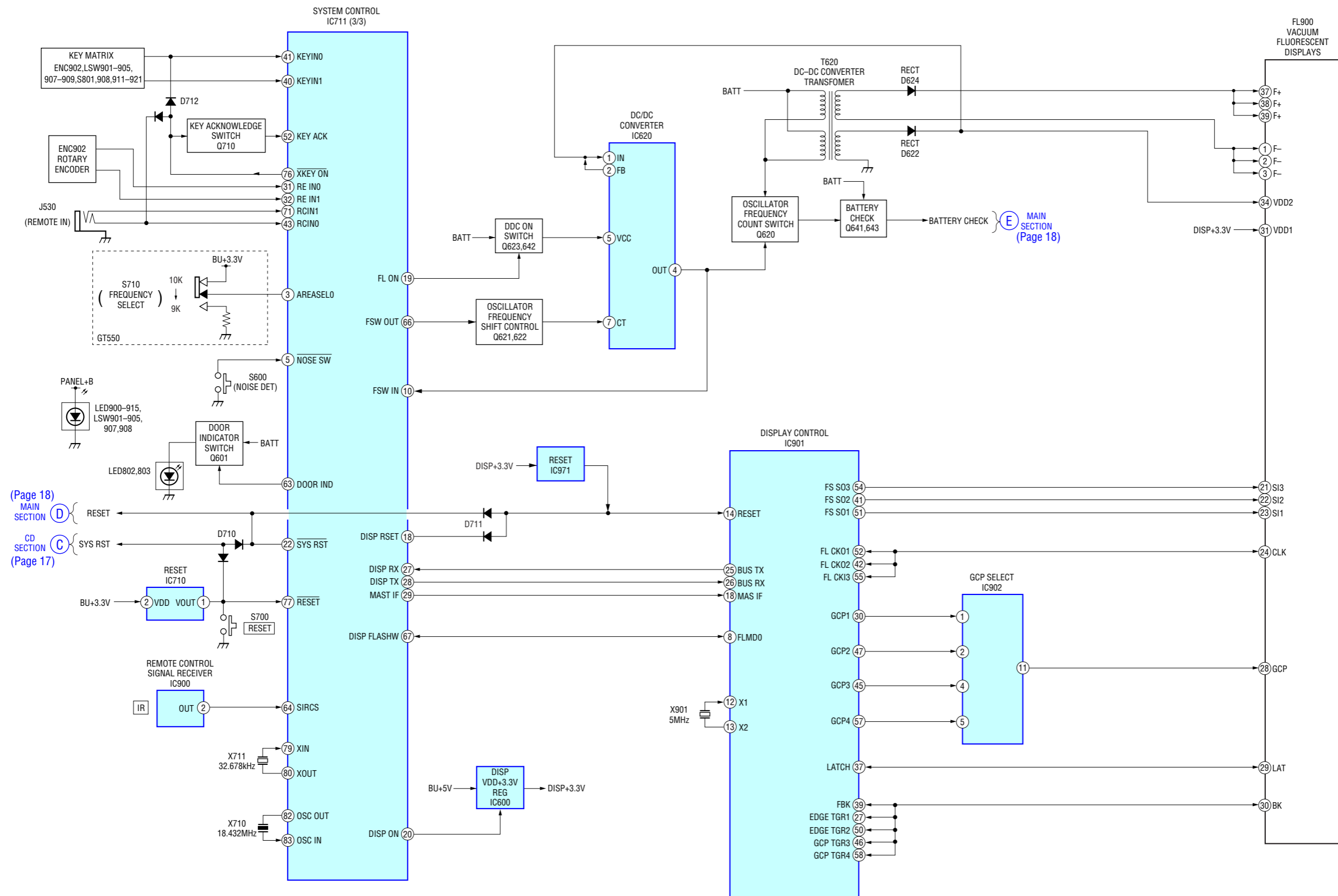
3-1. BLOCK DIAGRAM — CD SECTION —



3-2. BLOCK DIAGRAM — MAIN SECTION —



3-3. BLOCK DIAGRAM — DISPLAY SECTION —



• NOTE FOR PRINTED WIRING BOARDS AND SCHEMATIC DIAGRAMS

THIS NOTE IS COMMON FOR PRINTED WIRING BOARDS AND SCHEMATIC DIAGRAMS.
(In addition to this, the necessary note is printed in each block.)

For schematic diagrams.

- Note:**
- All capacitors are in μF unless otherwise noted. (p: pF) 50 WV or less are not indicated except for electrolytics and tantalums.
 - All resistors are in Ω and $\frac{1}{4}W$ or less unless otherwise specified.
 - Δ : internal component.
 - \square : panel designation.

Note:
The components identified by mark Δ or dotted line with mark Δ are critical for safety. Replace only with part number specified.

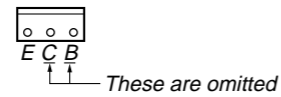
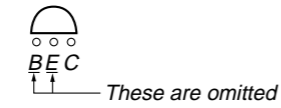
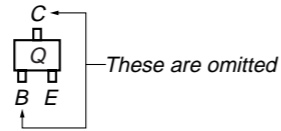
Note:
Les composants identifiés par une marque Δ sont critiques pour la sécurité. Ne les remplacer que par une pièce portant le numéro spécifié.

- : B+ Line.
- : B- Line.
- : adjustment for repair.
- Voltages and waveforms are dc with respect to ground under no-signal (detuned) conditions.
- CD mechanism (1/2) and (2/2) sections
no mark : CD PLAY
- Main (1/3), (2/3), (3/3), Sub and Display sections
no mark : FM
() : AM/MW/LW
< > : CD PLAY
* : Impossible to measure
- Voltages are taken with a VOM (Input impedance 10 M Ω). Voltage variations may be noted due to normal production tolerances.
- Waveforms are taken with an oscilloscope. Voltage variations may be noted due to normal production tolerances.
- Circled numbers refer to waveforms.
- Signal path.
 : CD PLAY
 : FM
 : AM/MW/LW
 : AUX

For printed wiring boards.

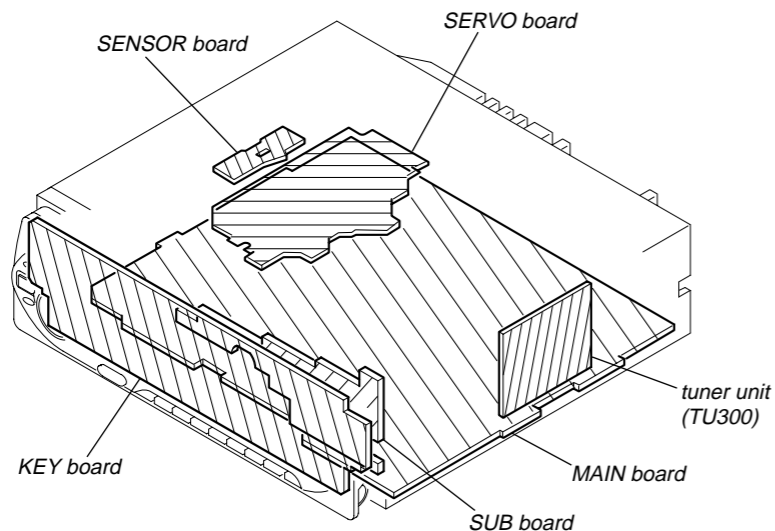
- Note:**
- : parts extracted from the component side.
 - : parts extracted from the conductor side.
 - \circ : Through hole.
 - : Pattern from the side which enables seeing. (The other layers' patterns are not indicated.)

Caution:
Pattern face side: Parts on the pattern face side seen from the (Side B) pattern face are indicated.
Parts face side: Parts on the parts face side seen from the (Side A) parts face are indicated.



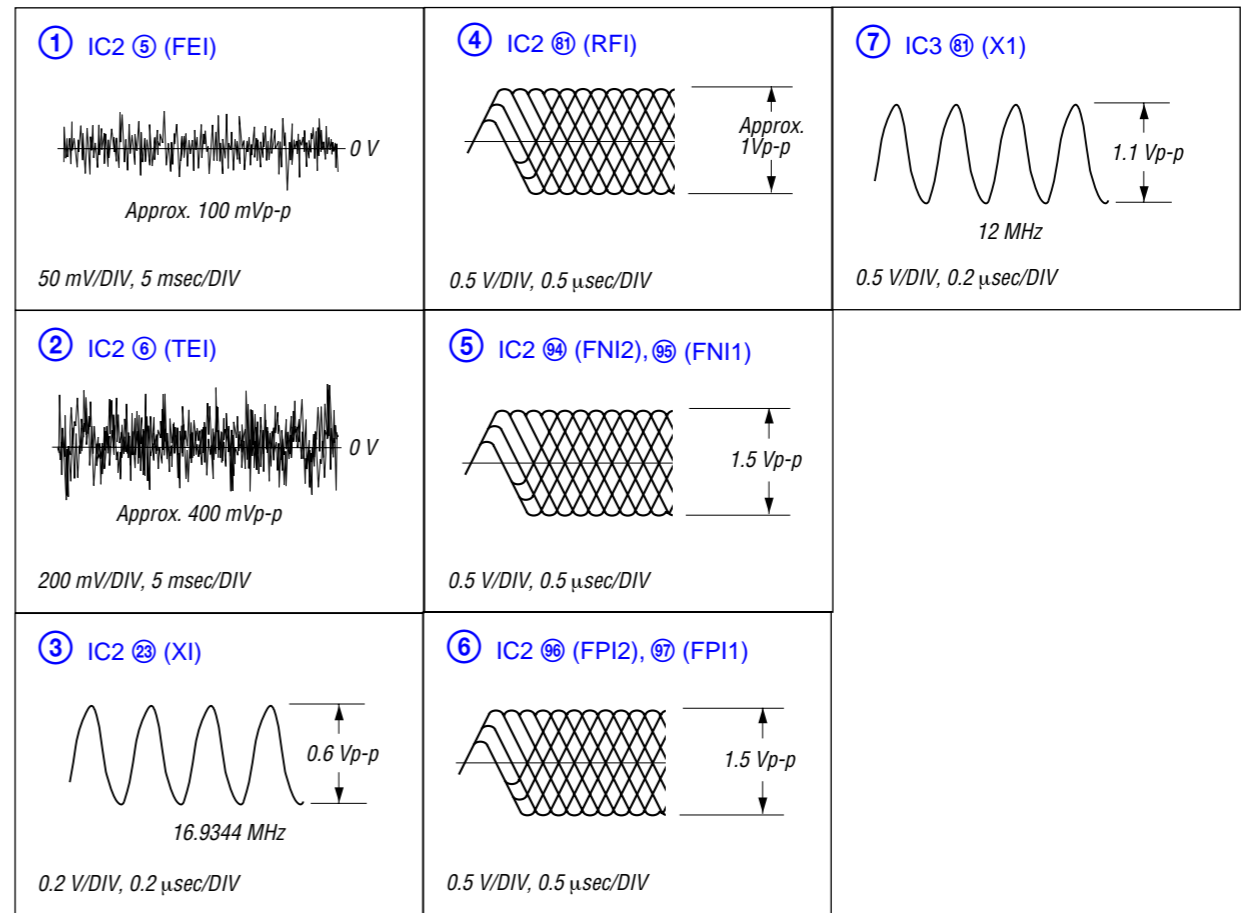
- Abbreviation
CND : Canadian model
EE : East European model
MX : Mexican model
CH : Chinese model

3-4. CIRCUIT BOARDS LOCATION

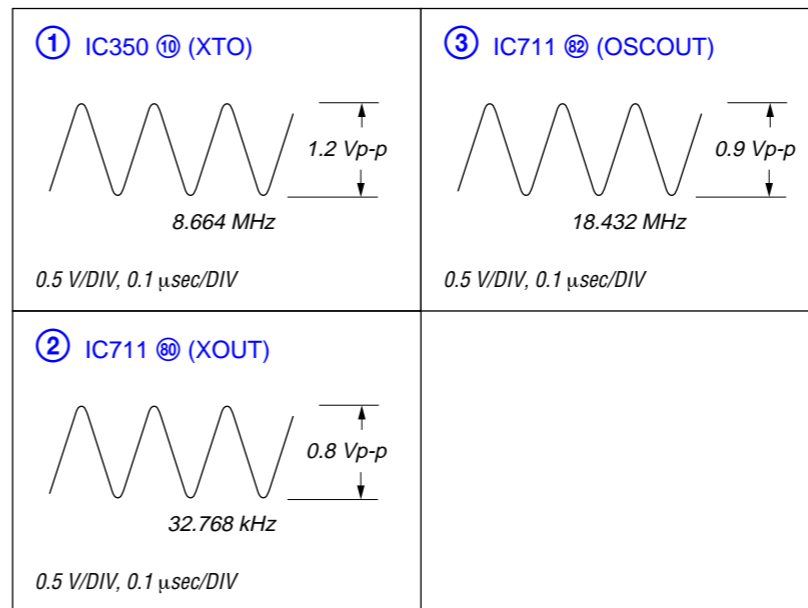


• WAVEFORMS

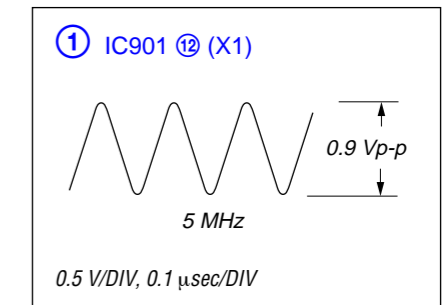
— SERVO BOARD — (CD PLAY)



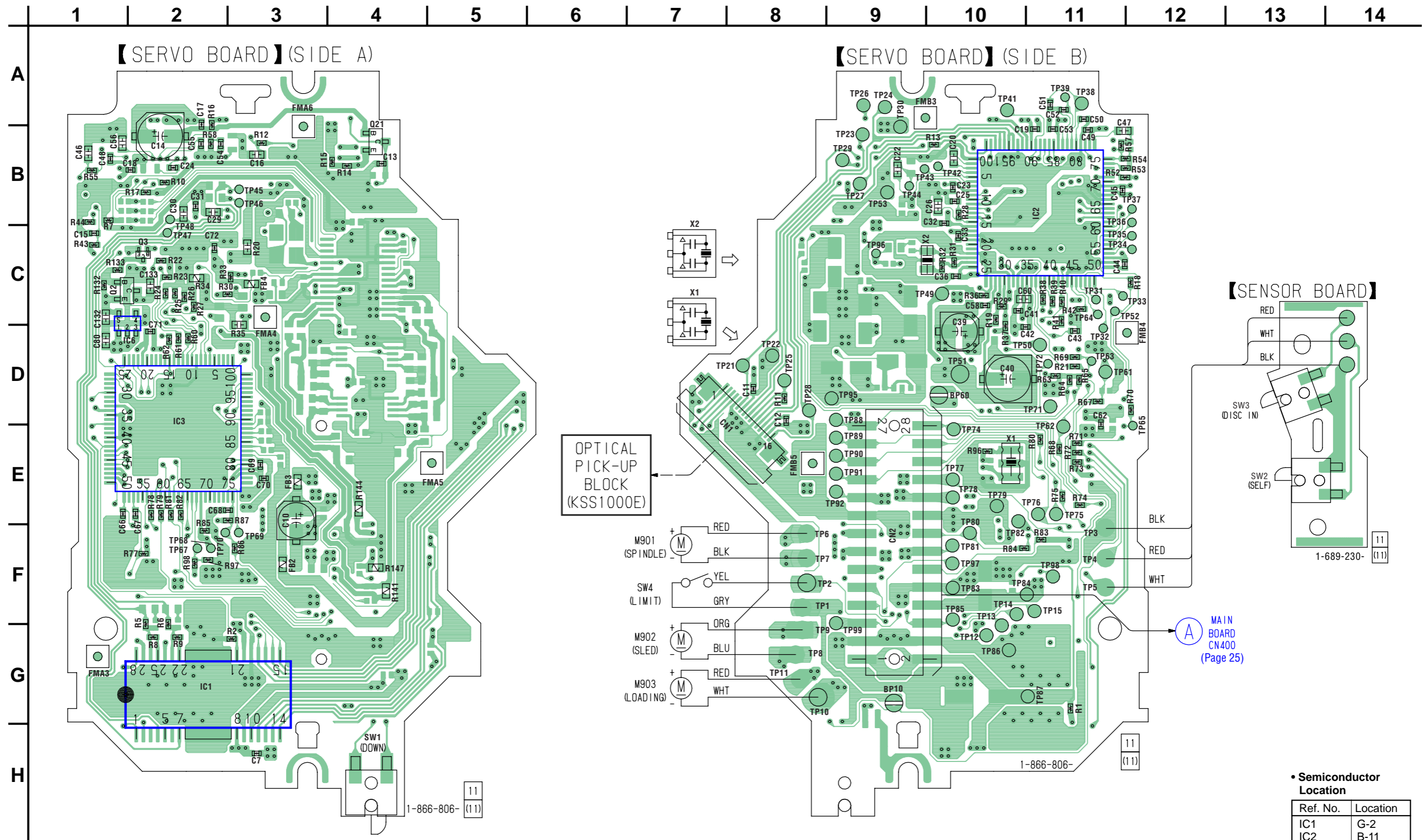
— MAIN BOARD —



— KEY BOARD —



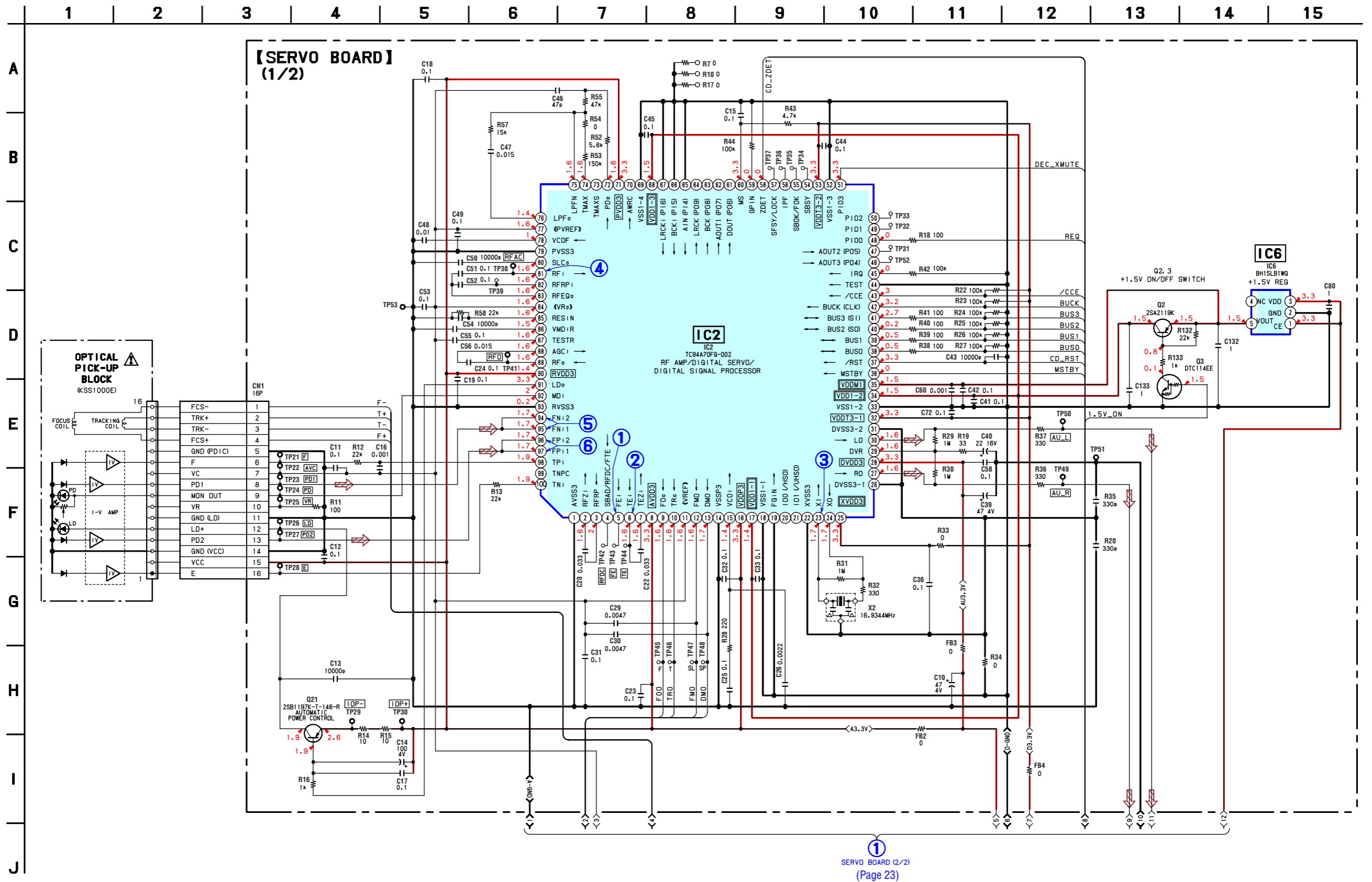
3-5. PRINTED WIRING BOARDS — CD MECHANISM SECTION — • Refer to page 20 for Circuit Boards Location.  : Uses unleaded solder.



• Semiconductor Location

Ref. No.	Location
IC1	G-2
IC2	B-11
IC3	D-2
IC6	D-1
Q2	C-1
Q3	C-2
Q21	B-4

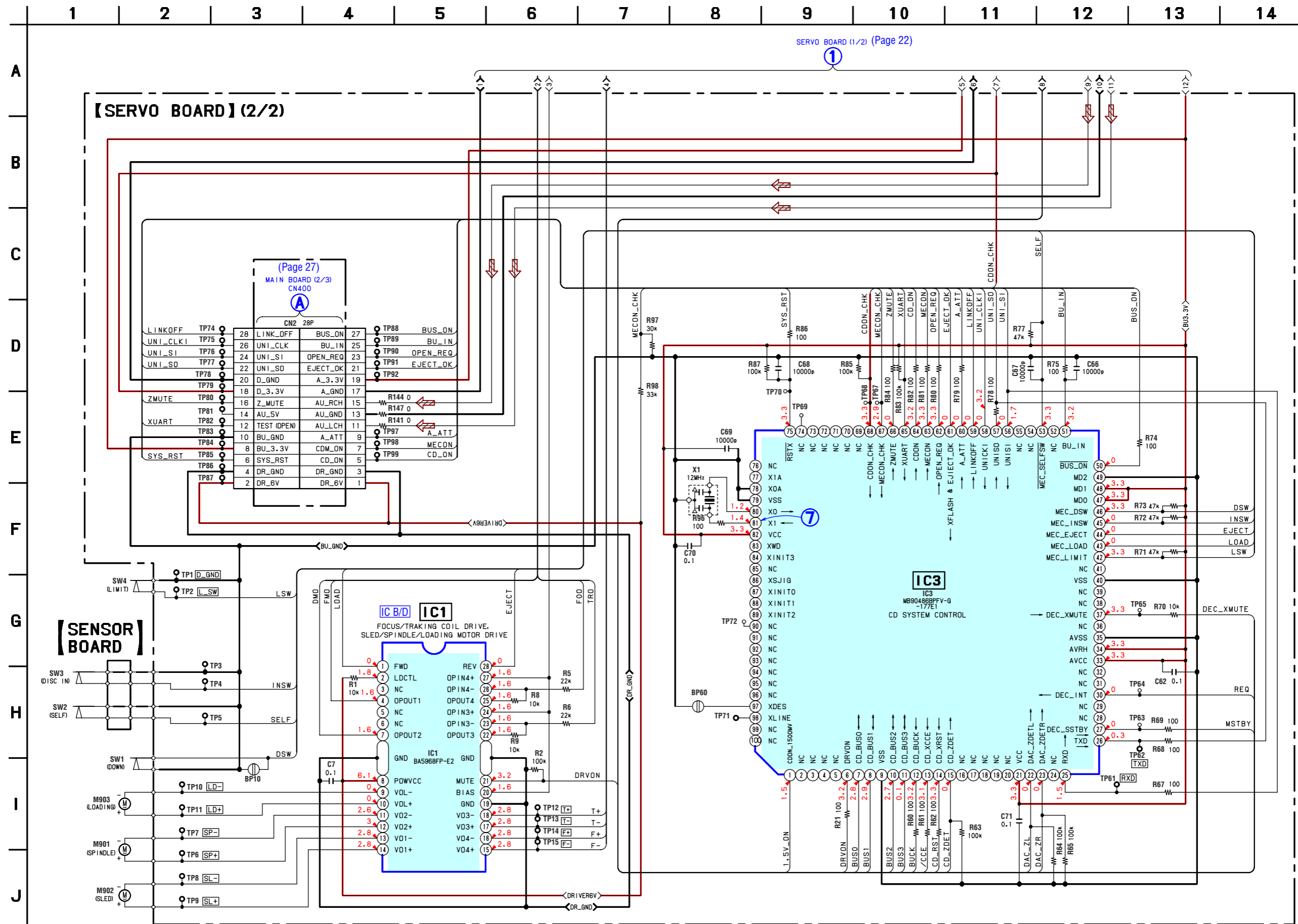
3-6. SCHEMATIC DIAGRAM — CD MECHANISM SECTION (1/2) — • Refer to page 20 for Waveforms.



① SERVO BOARD (2/2) (Page 23)

3-7. SCHEMATIC DIAGRAM — CD MECHANISM SECTION (2/2) —

- Refer to page 20 for Waveforms.
- Refer to page 33 for IC Block Diagrams.
- Refer to page 36 for IC Pin Description of IC3.



3-8. PRINTED WIRING BOARD — MAIN SECTION — • Refer to page 20 for Circuit Boards Location.  : Uses unleaded solder.

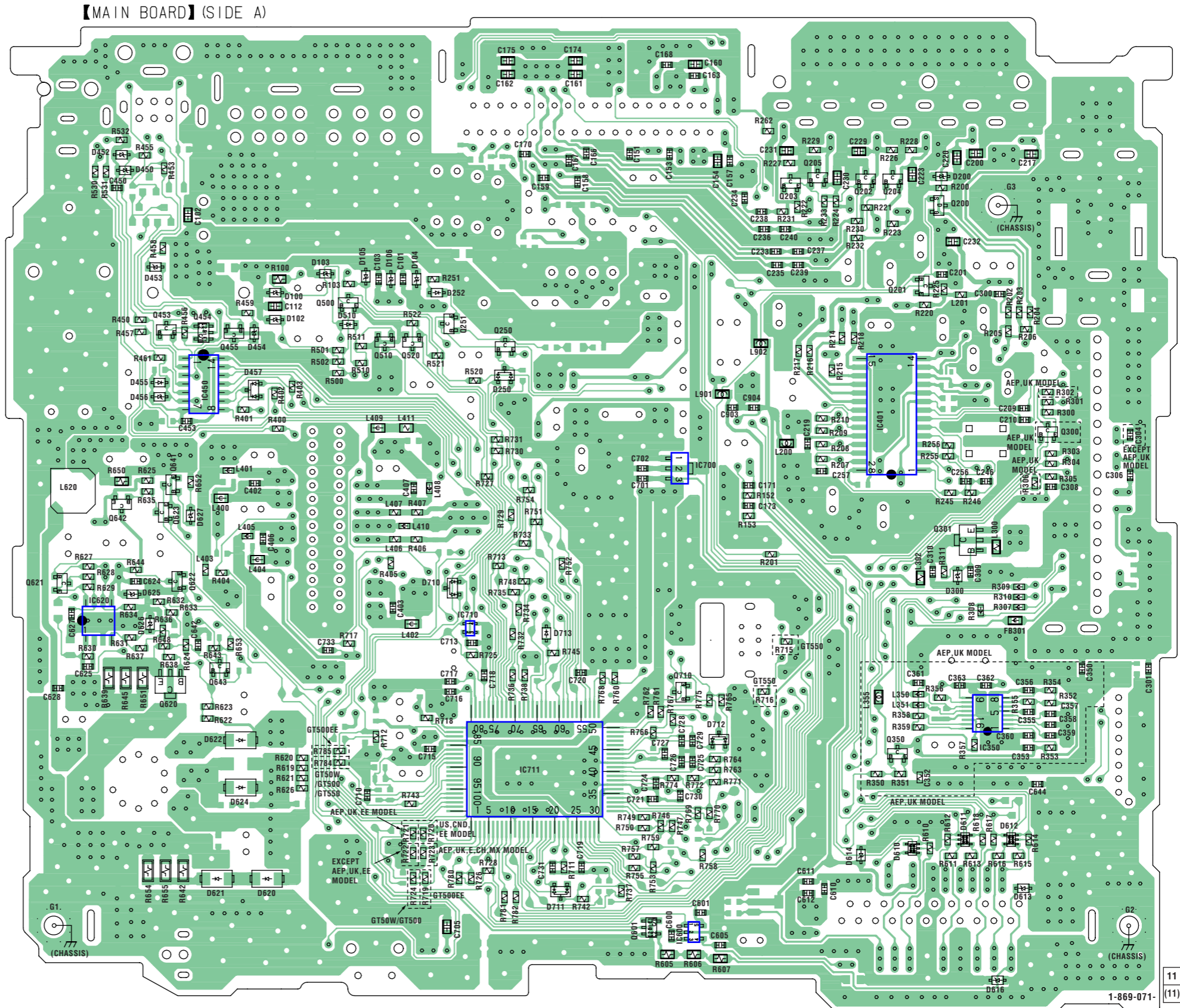
14 | 13 | 12 | 11 | 10 | 9 | 8 | 7 | 6 | 5 | 4 | 3 | 2 | 1

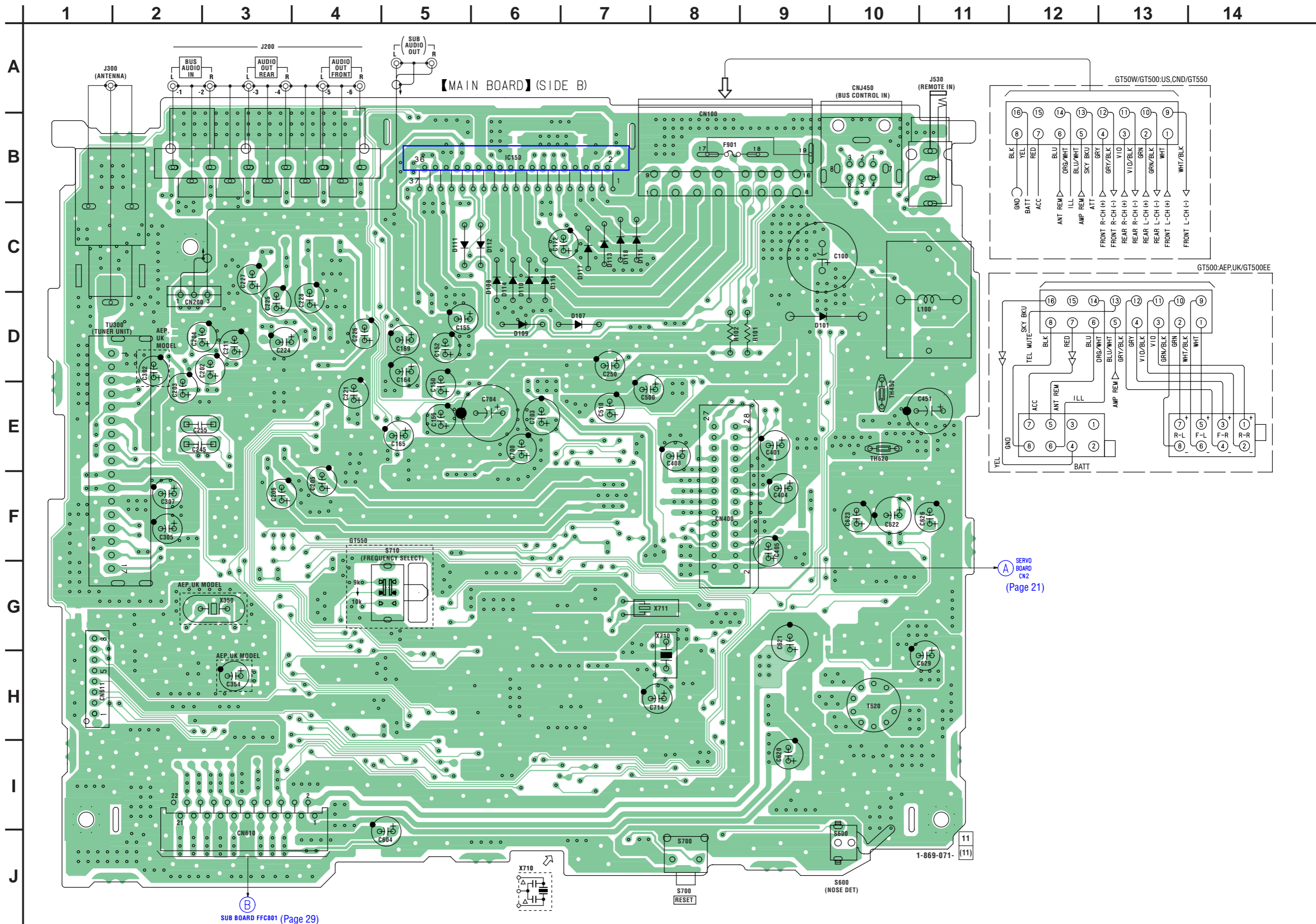
A
B
C
D
E
F
G
H
I
J

• Semiconductor Location

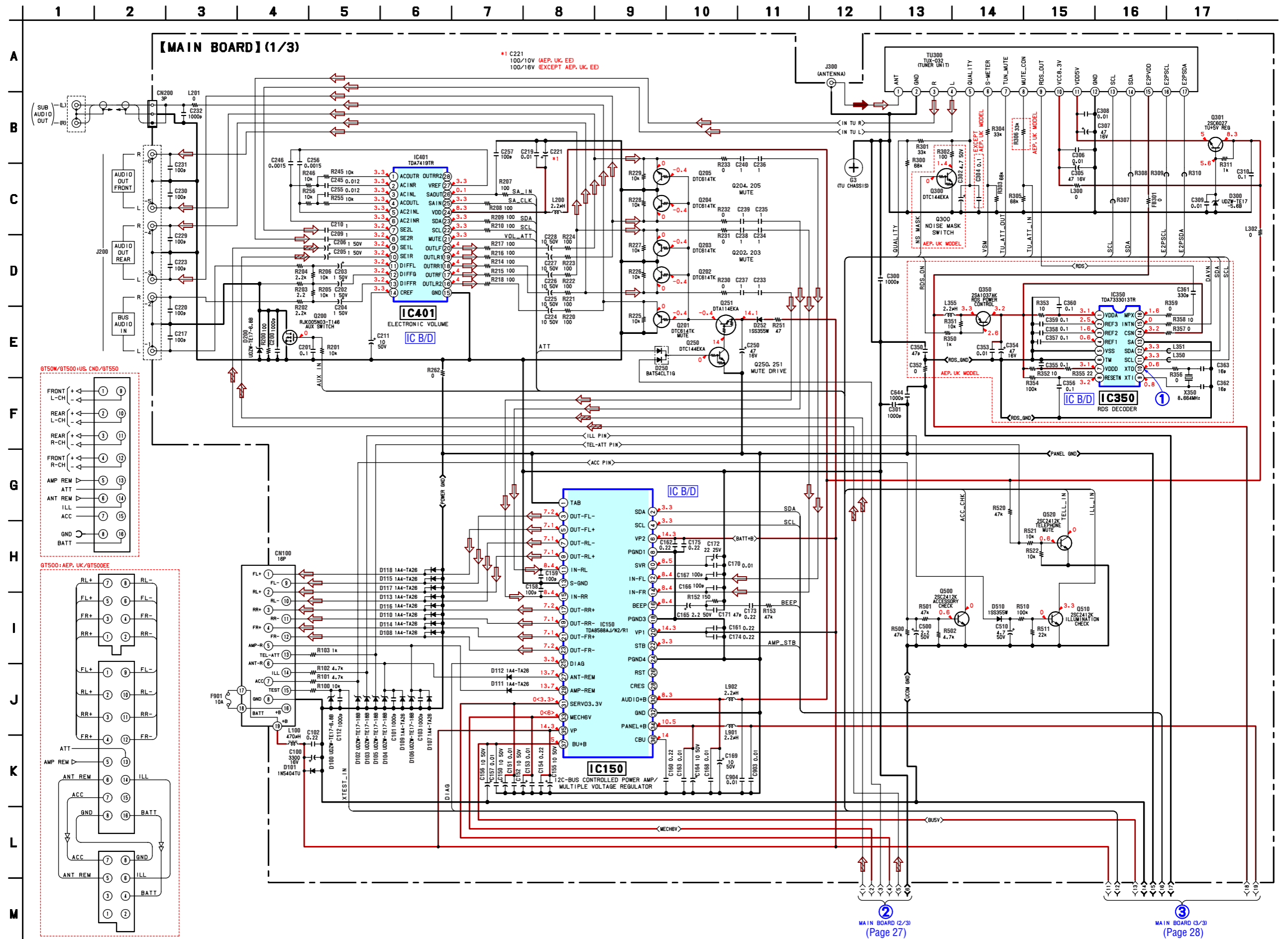
Ref. No.	Location	Ref. No.	Location
D100	D-9	D627	F-10
D101	(D-9)	D710	F-7
D102	D-9	D711	I-5
D103	D-8	D712	H-5
D104	D-8	D713	G-5
D105	D-8		
D106	D-8	IC150	(B-6)
D107	(D-7)	IC350	H-2
D108	(C-6)	IC401	E-3
D109	(D-6)	IC450	E-9
D110	(C-6)	IC600	I-5
D111	(C-5)	IC620	G-10
D112	(C-6)	IC700	E-5
D113	(C-7)	IC710	G-7
D114	(C-6)	IC711	H-7
D115	(C-7)		
D116	(C-6)	Q200	C-3
D117	(C-7)	Q201	D-3
D118	(C-7)	Q202	C-4
D200	C-3	Q203	C-4
D250	E-7	Q204	C-3
D252	D-7	Q205	C-4
D300	F-3	Q250	D-7
D450	C-10	Q251	D-7
D452	C-10	Q300	E-2
D453	D-10	Q301	F-3
D454	D-9	Q350	H-3
D455	E-10	Q453	D-10
D456	E-10	Q454	D-9
D457	E-9	Q455	D-9
D510	D-8	Q500	D-8
D610	I-3	Q510	D-8
D611	I-3	Q520	D-8
D612	I-2	Q601	I-5
D613	I-2	Q620	G-10
D614	I-4	Q621	F-11
D616	J-2	Q622	F-10
D620	I-9	Q623	F-10
D621	I-9	Q641	E-10
D622	H-9	Q642	F-10
D624	H-9	Q643	G-9
D625	F-10	Q710	G-5
D626	G-10		

() : SIDE B

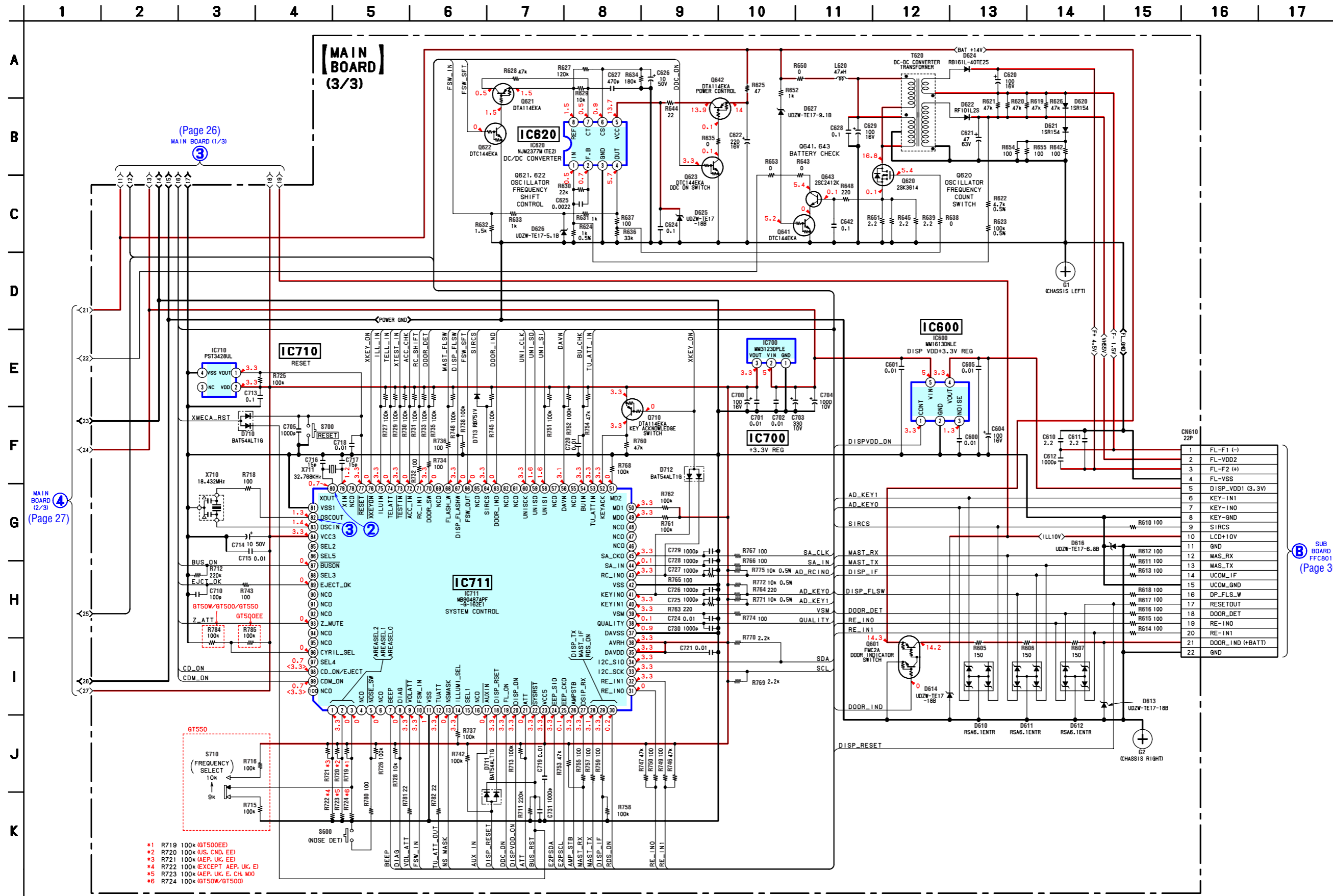




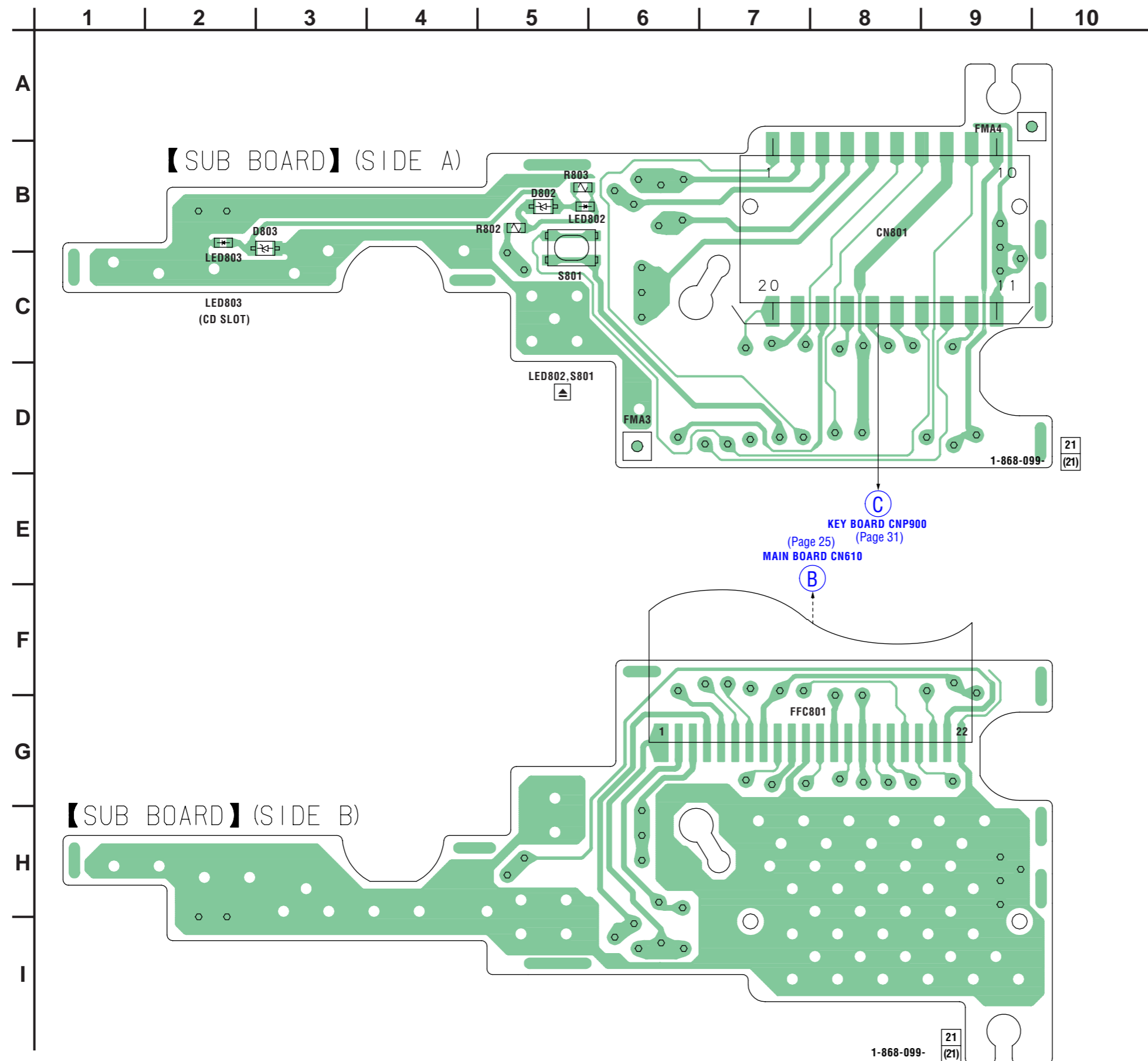
3-9. SCHEMATIC DIAGRAM — MAIN SECTION (1/3) — • Refer to page 20 for Waveforms. • Refer to page 33 for IC Block Diagrams.



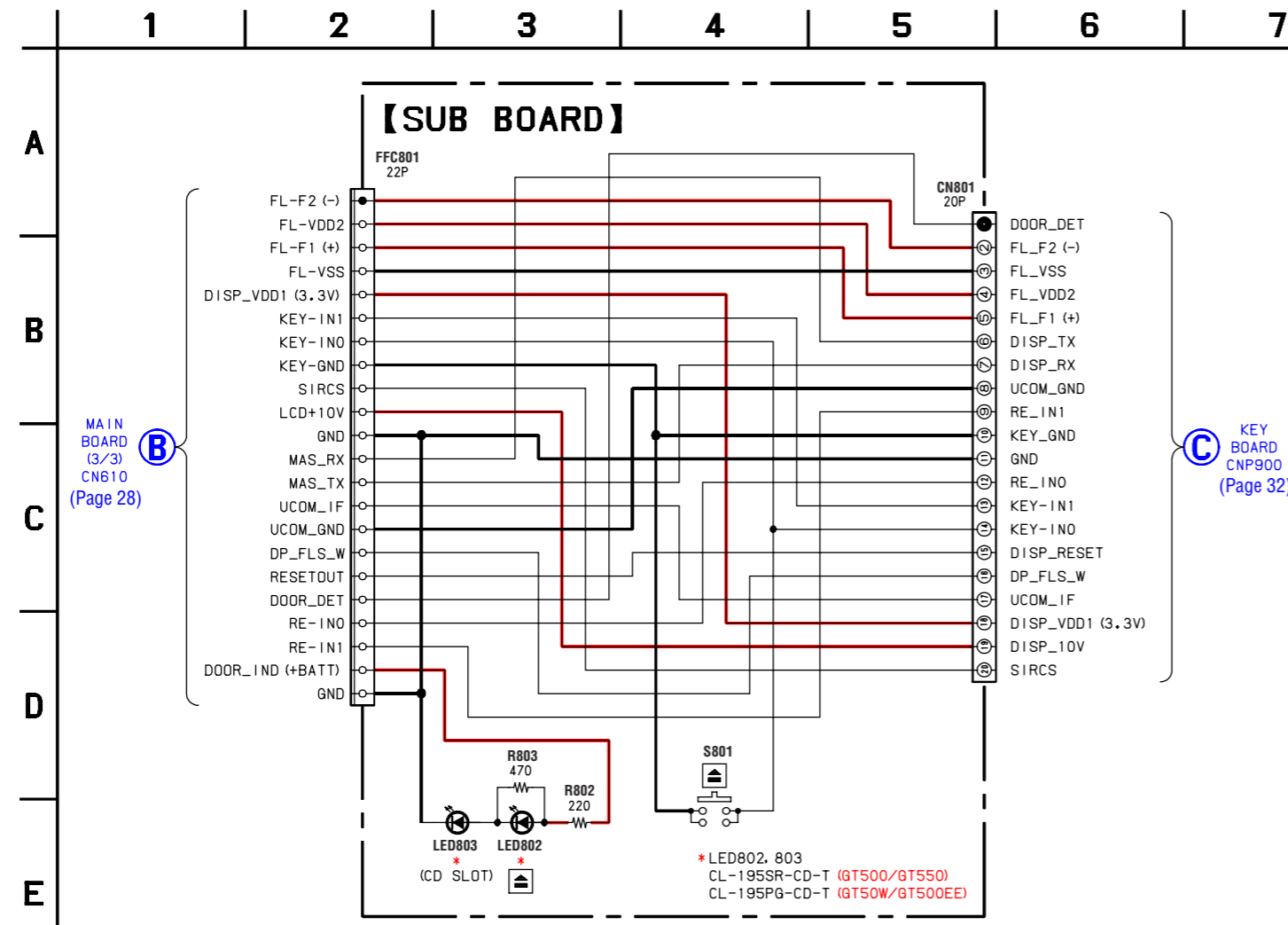
3-11. SCHEMATIC DIAGRAM — MAIN SECTION (3/3) — Refer to page 20 for Waveforms. Refer to page 38 for IC Pin Description of IC711.



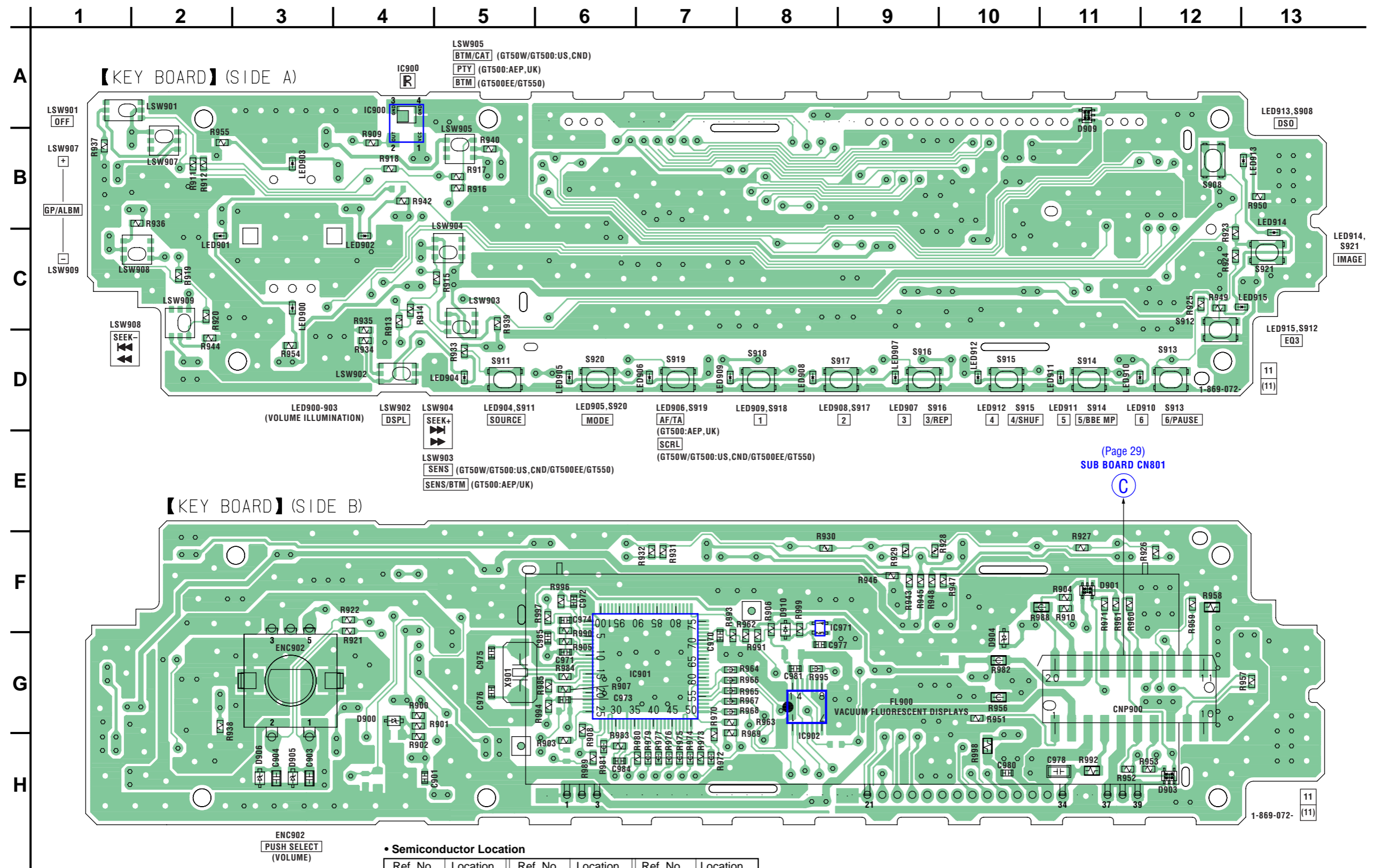
3-12. PRINTED WIRING BOARD — SUB SECTION — • Refer to page 20 for Circuit Boards Location. **LF** : Uses unleaded solder.



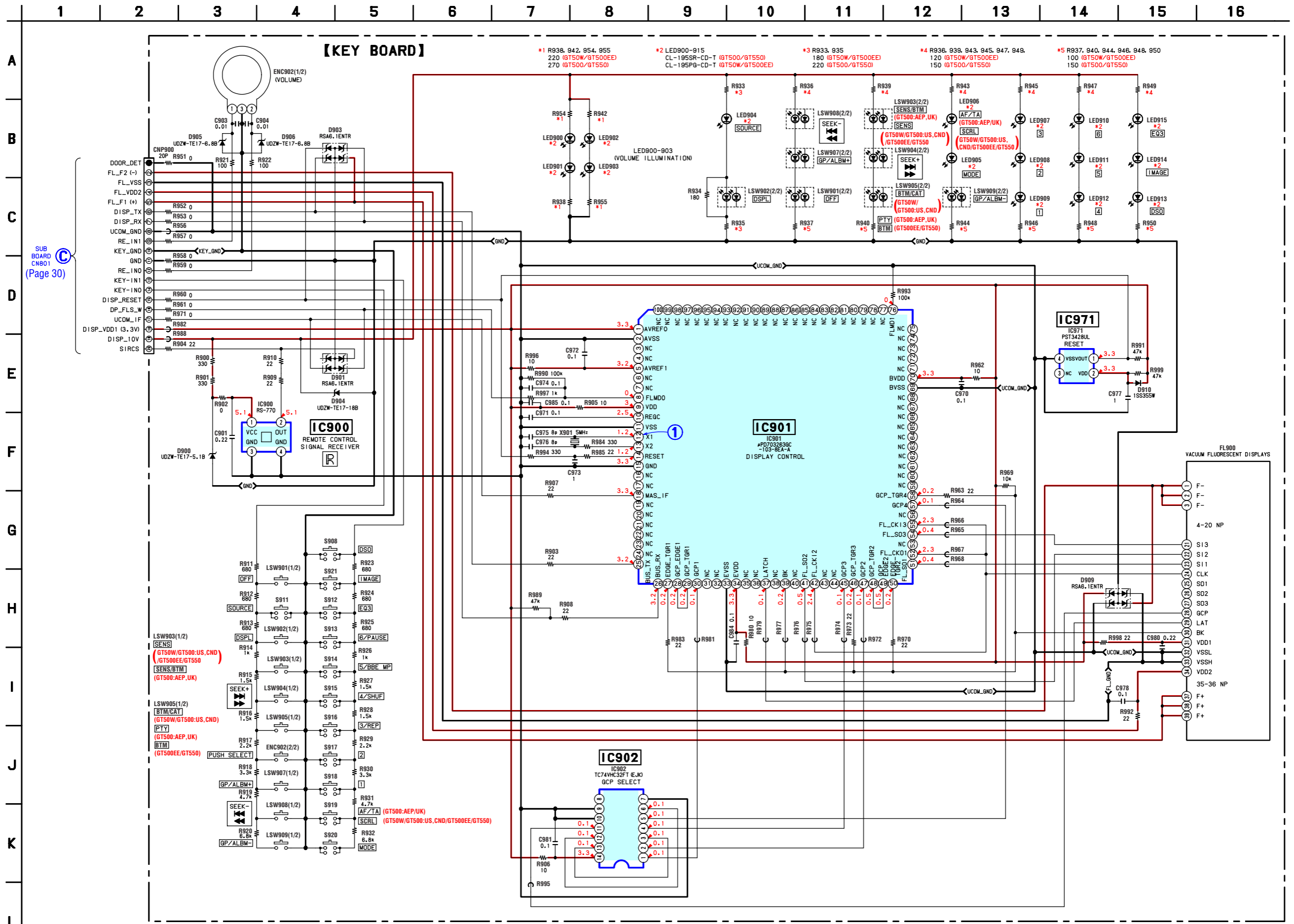
3-13. SCHEMATIC DIAGRAM — SUB SECTION —



3-14. PRINTED WIRING BOARD — KEY SECTION — • Refer to page 20 for Circuit Boards Location.

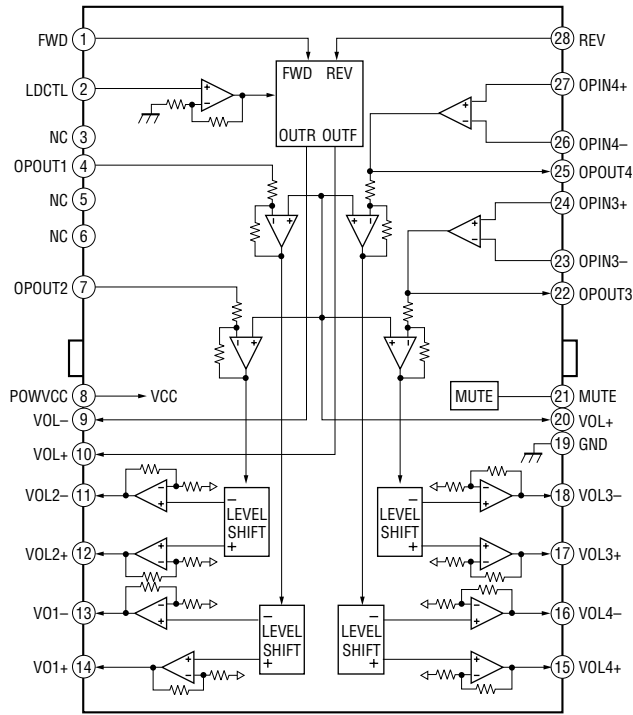


3-15. SCHEMATIC DIAGRAM — KEY SECTION — • Refer to page 20 for Waveforms.

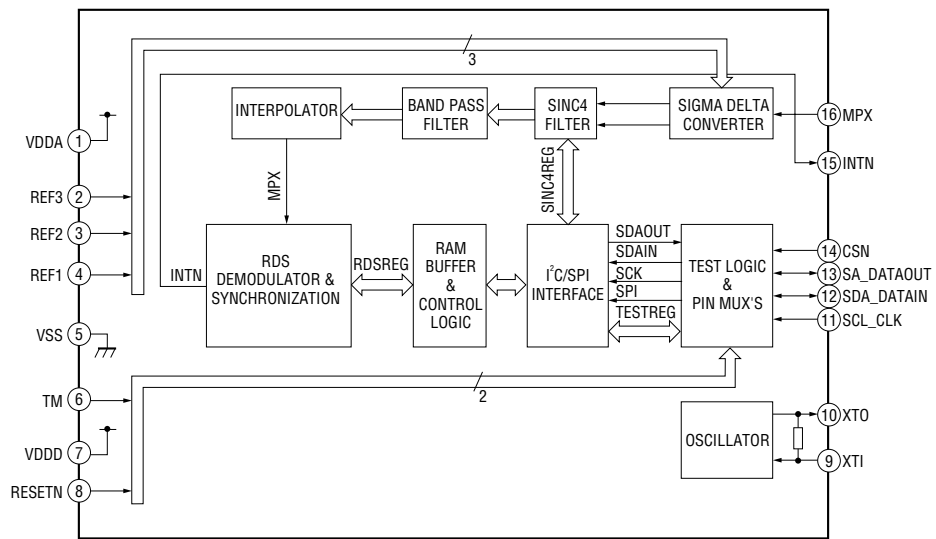


• IC Block Diagrams

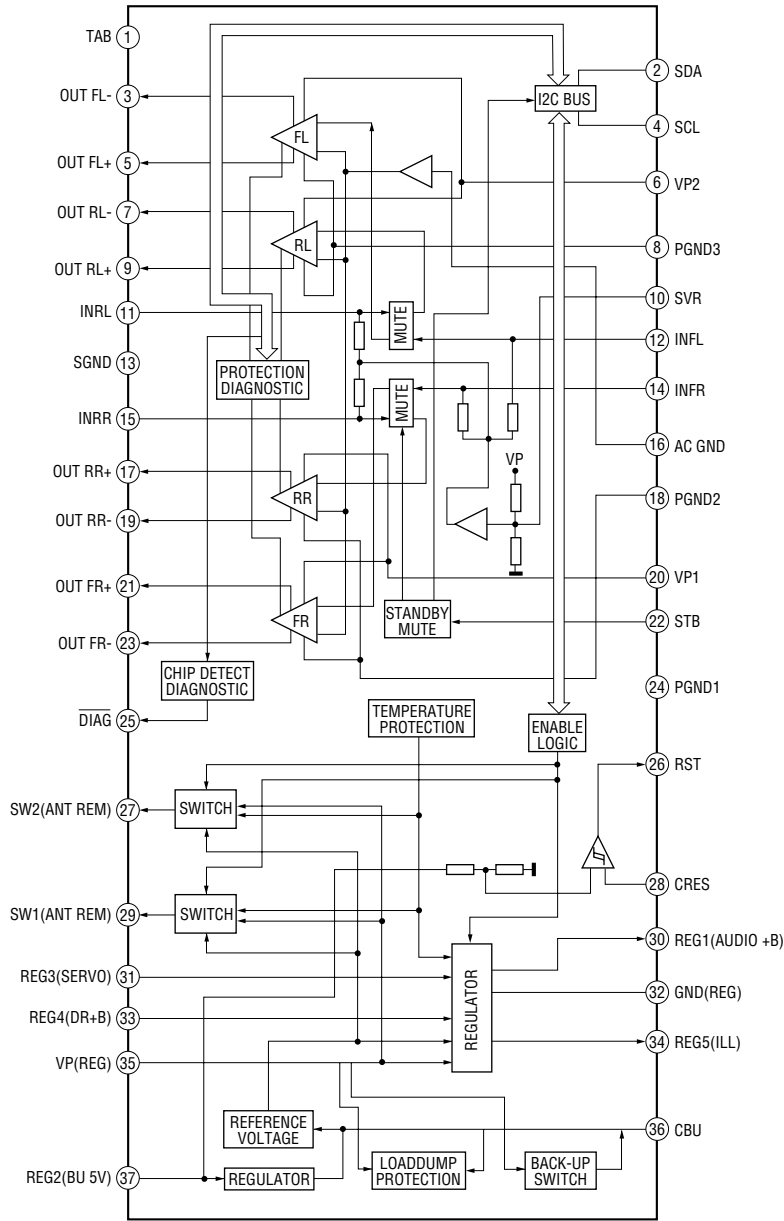
IC1 BA5968FP-E2 (SERVO Board (2/2))



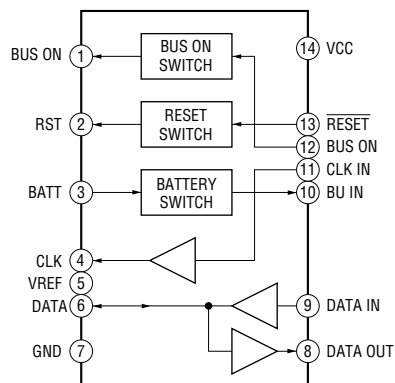
IC350 TDA7333013TR (MAIN Board (1/3))



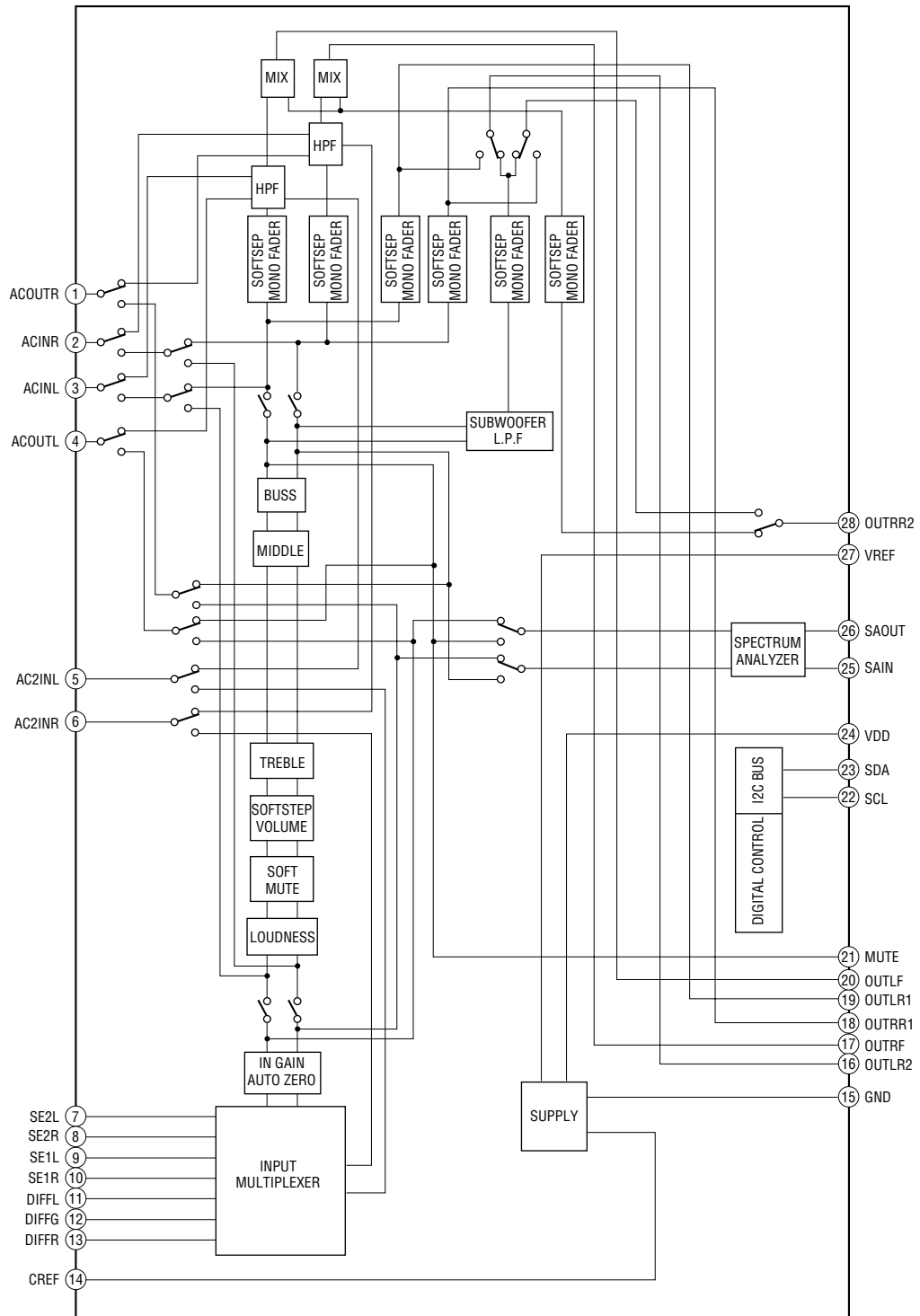
IC150 TDA8588AJ/N2/R1 (MAIN Board (1/3))



IC450 BA8271F-E2 (MAIN Board (2/3))



IC401 TDA7419TR (MAIN Board (1/3))



CDX-GT50W/GT500/GT500EE/GT550

• IC Pin Descriptions

IC3 MB90486BPFV-G-177E1 (CD SYSTEM CONTROL) (SERVO BOARD (2/2))

Pin No.	Pin Name	I/O	Pin Description
1	CDON 1500MV	O	Servo 1.5 V power supply control signal output
2 to 5	NC	—	Not used. (Open)
6	DRVON	O	Motor drive on/off control signal output
7	CD BUS0	I/O	Bus data signal input/output 0
8	CD BUS1	I/O	Bus data signal input/output 1
9	VSS	—	Ground pin
10	CD BUS2	I/O	Bus data signal input/output 2
11	CD BUS3	I/O	Bus data signal input/output 3
12	CD BUCK	O	Bus clock signal output
13	CD XCCE	O	Chip enable signal output
14	CD XRST	O	Reset signal output
15	CD ZDET	I	Zero detection signal input
16 to 20	NC	—	Not used. (Open)
21	VCC	—	Power supply pin (+3.3 V)
22	DAC ZDETL	I	Zero data detection signal input (L-ch)
23	DAC ZDETR	I	Zero data detection signal input (R-ch)
24	NC	—	Not used. (Open)
25	RXD	I	UART RXD data signal input (MCBUS/Flash data input)
26	TXD	O	UART TXD data signal output (MCBUS/Flash data output)
27	DEC SSTBY	O	SRAM STANDBY mode control signal output
28, 29	NC	—	Not used. (Open)
30	DEC INT	I	Request signal input
31, 32	NC	—	Not used. (Open)
33	AVCC	—	Power supply pin (+3.3 V) for A/D converter
34	AVRH	—	External reference voltage for A/D converter
35	AVSS	—	Ground pin
36	NC	—	Not used. (Open)
37	DEC XMUTE	O	Mute signal output L: mute
38, 39	NC	—	Not used. (Open)
40	VSS	—	Ground pin
41	NC	—	Not used. (Open)
42	MEC LIMIT	I	Sled limit in detection switch signal input
43	MEC LOAD	O	Loading motor signal output (Load direction)
44	MEC EJECT	O	Loading motor signal output (Eject direction)
45	MEC INSW	I	Pack-in detection signal input
46	MEC DSW	I	Chucking end detection switch signal input
47, 48	MD0, MD1	I	CPU operation mode designation signal input (Connect to Vcc.)
49	MD2	I	CPU operation mode designation signal input (Connect to Vss.)
50	BUS ON	I	Bus on signal input L: bus on
51	BU IN	I	Backup on/off signal input H: backup on, L: backup off
52	NC	—	Not used. (Open)
53	MEC SELFSW	I	Disc insert detection switch signal input L: disc in interruption
54, 55	NC	—	Not used. (Open)
56	UNISI	I	Serial data signal input
57	UNISO	O	Serial data signal output
58	UNICKI	I	Serial clock signal input
59	LINKOFF	O	Line off signal output
60	A ATT	O	Audio attenuation signal output H: ATT on
61	EJECT OK	I	Front panel open signal input H: eject
62	OPEN REQ	O	Front panel open/close request signal output H: open request
63	MECON	O	Mechanism deck power supply control signal output

Pin No.	Pin Name	I/O	Pin Description
64	CDON	O	Servo power supply control signal output H: power on
65	XUART	I	Sony-Bus/MC-Bus change signal input H: Sony-Bus, L: MC-Bus
66	ZMUTE	O	Zero detection mute signal output
67	MECON CHK	I	MECON rising detection signal input
68	CDON CHK	I	CDON rising detection signal input
69 to 74	NC	—	Not used. (Open)
75	$\overline{\text{RSTX}}$	I	System reset signal input
76	NC	—	Not used. (Open)
77	X1A	—	Sub-clock connect pin Not used in this set. (Open)
78	X0A	—	Sub-clock connect pin Not used in this set. (Connect to Vss.)
79	VSS	—	Ground pin
80	X0	I	Main-clock connect pin (12 MHz)
81	X1	O	Main-clock connect pin (12 MHz)
82	VCC	—	Power supply pin (+3.3 V)
83	XWD	I	Not used in this set. (Open)
84	XINIT3	I	Not used in this set. (Open)
85	NC	—	Not used. (Open)
86	XSJIG	I	Not used in this set. (Open)
87 to 89	XINIT0 to 2	I	Not used in this set. (Open)
90 to 96	NC	—	Not used. (Open)
97	XDES	I	Mode select pin
98	XLINE	I	Not used in this set. (Open)
99, 100	NC	—	Not used. (Open)

CDX-GT50W/GT500/GT500EE/GT550

IC711 MB90487APF-G-162E1 (SYSTEM CONTROL) (MAIN BOARD (3/3))

Pin No.	Pin Name	I/O	Pin Description
1	AREASEL2	I	Destination setting pin
2	AREASEL1	I	Destination setting pin
3	AREASEL0	I	Destination setting pin
4	NCO	O	Not used. (Open)
5	NOSE SW	I	Front panel open/close detect signal input L: Panel on, H: Panel off
6	NCO	O	Not used. (Open)
7	BEEP	O	Beep signal output
8	DIAG	I	Power AMP status signal input
9	VOL ATT	O	Electronic volume attenuate control signal output
10	FSW IN	I	D/D converter oscillator frequency count signal input
11	VSS	—	Ground pin
12	TUATT	O	Tuner mute control signal output
13	NSMASK	O	Noise mask signal output (AEP, UK model only)
14	ILLUMI SEL	I	Illumination voltage setting signal input
15	SEL1	O	Not used in this set. (Open)
16	NCO	O	Not used. (Open)
17	AUXIN	O	AUX select signal output L: AUX, H: BUS IN
18	DISP RSET	O	Display reset signal output
19	FL ON	O	D/D converter control signal output H: On
20	DISP ON	O	Display control signal output H: On
21	ATT	O	Audio mute control signal output
22	SYSRST	O	System control reset signal output
23	VCC5	—	Power supply pin (+3.3 V)
24	EEP SIO	I/O	EEPROM bus serial data input/output
25	EEP CKO	O	EEPROM bus serial clock output
26	AMPSTB	O	Power AMP standby signal output
27	DISP RX	I/O	Display IC communication signal input/output
28	DISP TX	O	Display IC communication signal output
29	MAST IF	O	Display IC communication start signal output
30	RDS ON	O	RDS ON signal output (AEP, UK model only)
31	RE IN0	I	Rotary encoder signal input 0
32	RE IN1	I	Rotary encoder signal input 1
33	I2C SCK	O	I2C bus serial clock signal output
34	I2C SIO	I/O	I2C bus serial data signal input/output
35	DAVDD	—	A/D converter power supply pin (+3.3 V)
36	AVRH	—	A/D converter external reference power supply pin (+3.3 V)
37	DAVSS	—	Ground pin
38	QUALITY	I	Noise detect signal input (AEP, UK model only)
39	VSM	I	S-meter voltage detect signal input
40	KEYIN1	I	Key signal input 1
41	KEYIN0	I	Key signal input 0
42	VSS	—	Ground pin
43	RC IN0	I	Rotary commander key signal input
44	SA IN	I	Spectrum analyzer signal input
45	SA CKO	O	Spectrum analyzer clock signal output
46 to 48	NCO	O	Not used. (open)
49	MD0	I	Operation mode setting pin (Connect to VDD.)
50	MD1	I	Operation mode setting pin (Connect to VDD.)
51	MD2	I	Operation mode setting pin (Connect to VSS.)

Pin No.	Pin Name	I/O	Pin Description
52	KEYACK	I	Key acknowledgment detect signal input
53	TU ATTIN	I	Tuner mute zero cross detect signal input (AEP, UK model only)
54	BUIN	I	Back-up power supply detect signal input
55	NCO	O	Not used. (Open)
56	DAVN	I	RDS data block synchronized detect signal input (AEP, UK model only)
57	NCO	O	Not used. (Open)
58	UNISI	I	SONY bus data signal input
59	UNISO	O	SONY bus data signal output
60	UNISCK	O	SONY bus clock signal output
61	NCO	O	Not used. (Open)
62	NCO	O	Not used. (Open)
63	DOOR IND	O	CD IN LED control signal output H: On
64	SIRCS	I	Remote control signal input
65	NCO	O	Not used. (Open)
66	FSW OUT	O	D/D converter oscillator frequency shift control signal output L: 300 kHz, H: 400 kHz
67	DISP FLASHW	I	Display IC flash ROM write signal input
68	FLASH W	I	Memory mode select signal input L: Write mode
69	NCO	O	Not used. (Open)
70	DOOR SW	I	Panel open/ close detect signal input H: Panel open
71	RC IN1	I	Rotary commander shift key signal input
72	ACC IN	I	Accessory power supply detect signal input
73	TESTIN	I	Test mode detect signal input
74	TELATT	I	Telephone attenuate detect signal input
75	ILUIN	I	Auto dimmer illumination detect signal input H: Ill off
76	XKEYON	O	A/D converter power supply control signal output
77	RESET	I	CPU reset signal input
78	NCO	O	Not used. (Open)
79	XIN	I	Sub-clock input (32.768 kHz)
80	XOUT	O	Sub-clock output (32.768 kHz)
81	VSS1	—	Ground pin
82	OSC OUT	O	Main-clock output (18.432 MHz)
83	OSC IN	I	Main-clock input (18.432 MHz)
84	VCC3	—	Power supply pin (+3.3 V)
85	SEL2	O	Not used in this set. (Open)
86	SEL5	O	Not used in this set. (Open)
87	BUSON	O	Bus on signal output
88	SEL3	O	Not used in this set. (Open)
89	EJECT OK	O	Eject OK signal output
90 to 92	NCO	O	Not used. (Open)
93	Z-MUTE	I	CD zero cross mute detect signal input
94, 95	NCO	O	Not used. (Open)
96	CYRIL SEL	I	Cyril select signal input L: Cyril off, H: Cyril on
97	SEL4	O	Not used in this set. (Open)
98	CD ON	I	CD mechanism power control request signal input
99	CDM ON	I	CD mechanism deck power control request signal input
100	NCO	O	Not used. (Open)

SECTION 4
EXPLODED VIEWS

NOTE:

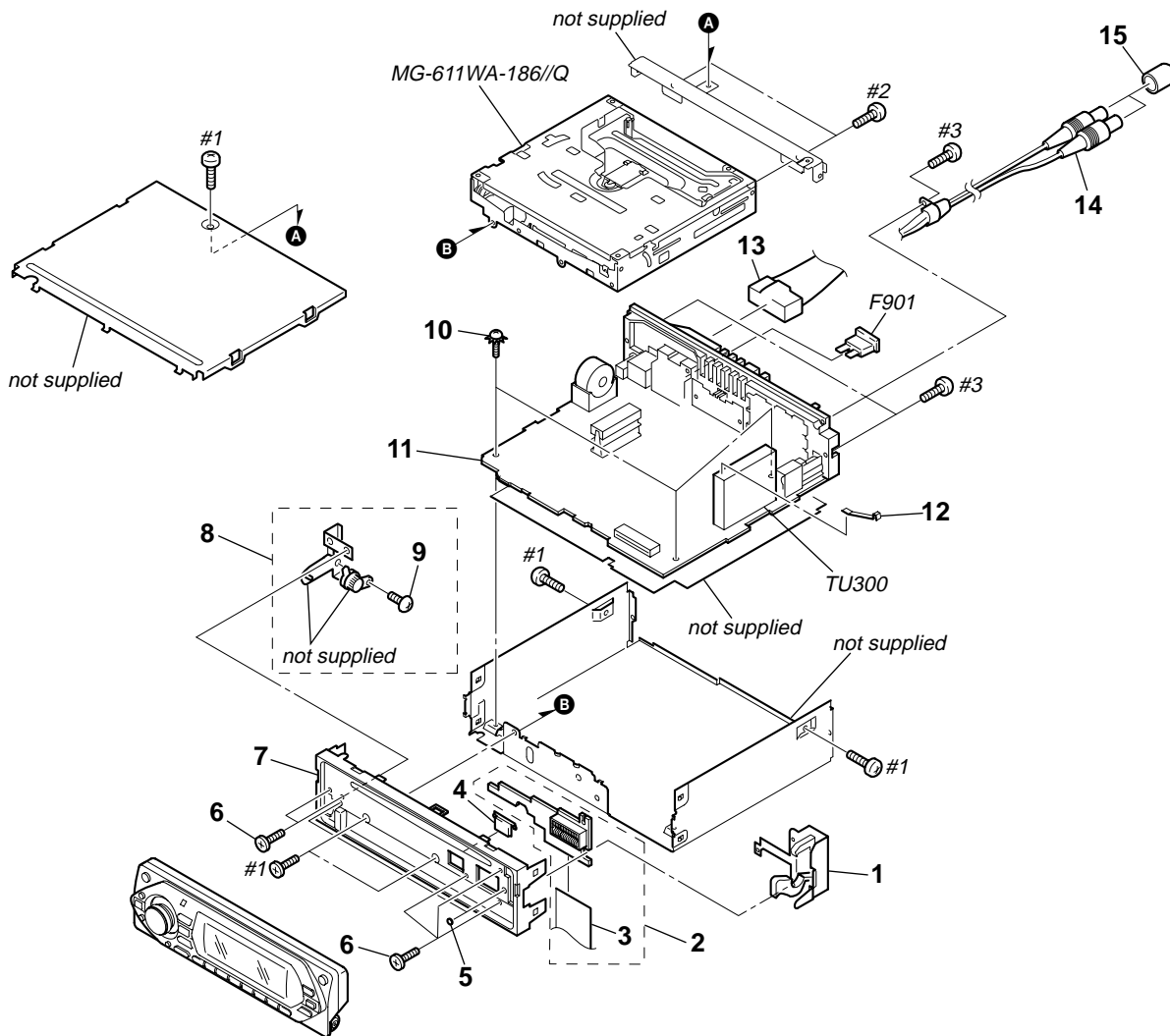
- The mechanical parts with no reference number in the exploded views are not supplied.
- Items marked “*” are not stocked since they are seldom required for routine service. Some delay should be anticipated when ordering these items.
- -XX and -X mean standardized parts, so they may have some difference from the original one.

- Color Indication of Appearance Parts
Example :
KNOB, BALANCE (WHITE) ... (RED)
Parts Color Cabinet's Color
- Accessories are given in the last of this parts list.
- Abbreviation
CND: Canadian model
EE : East European model
MX : Mexican model
CH : Chinese model

The components identified by mark Δ or dotted line with mark Δ are critical for safety. Replace only with part number specified.

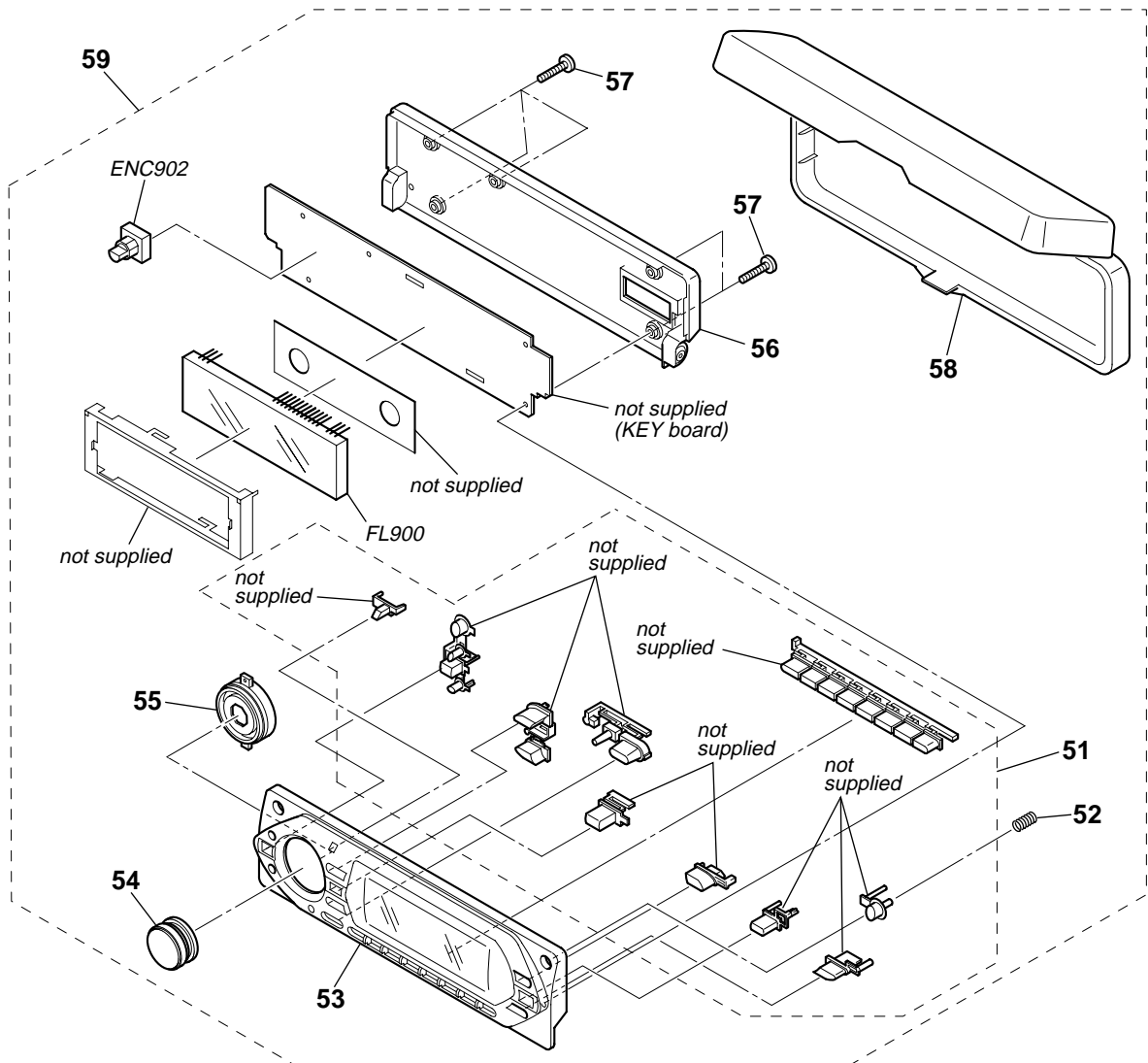
Les composants identifiés par une marque Δ sont critiques pour la sécurité. Ne les remplacer que par une pièce portant le numéro spécifié.

4-1. MAIN SECTION



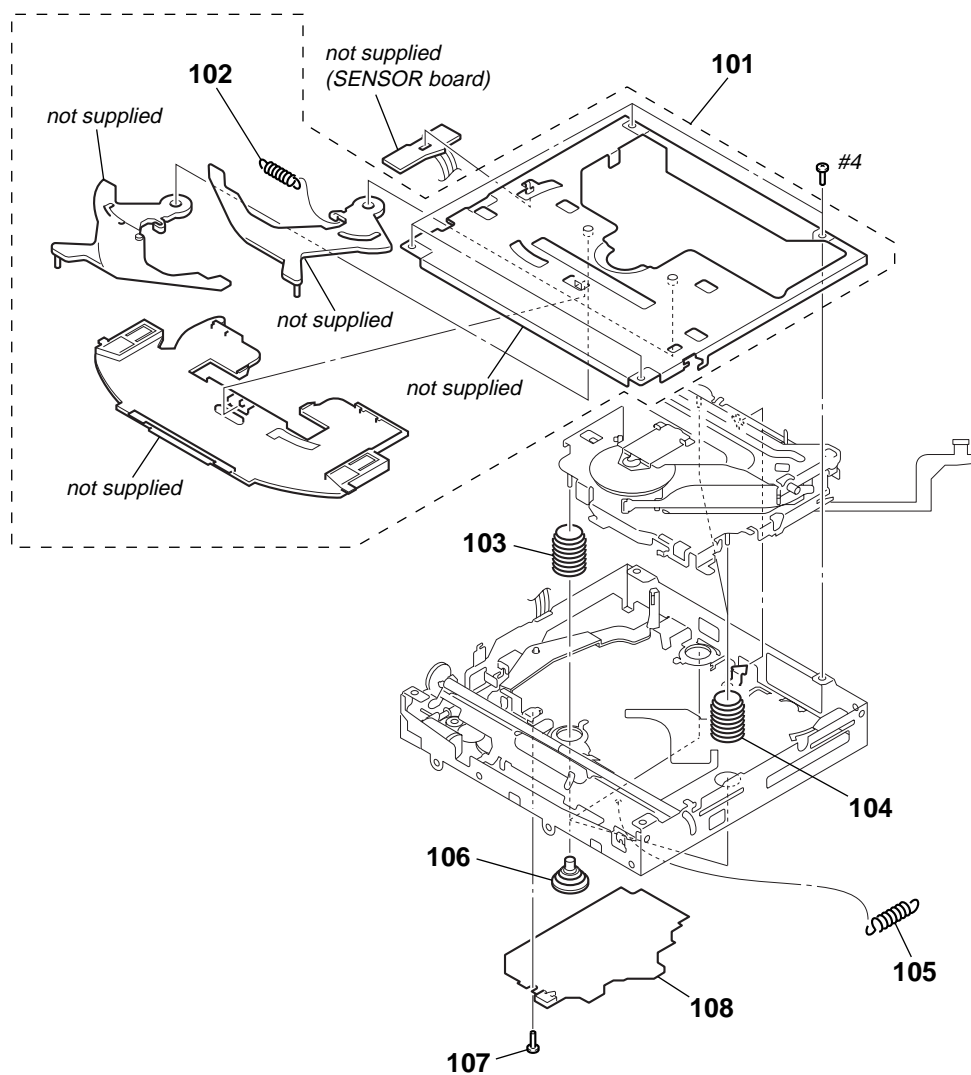
Ref. No.	Part No.	Description	Remark	Ref. No.	Part No.	Description	Remark
1	X-3384-259-1	LOCK ASSY		12	2-021-848-01	SHEET (TU), GROUND	
2	A-1156-589-A	SUB BOARD, COMPLETE (GT500/GT550)		13	1-776-207-72	CORD (WITH CONNECTOR) (POWER)	(EXCEPT AEP,UK,EE)
2	A-1158-907-A	SUB BOARD, COMPLETE (GT50W/GT500EE)		13	1-776-527-71	CORD (WITH CONNECTOR) (ISO) (POWER)	(AEP,UK,EE)
3	1-831-502-11	CABLE, FLEXIBLE FLAT (22 CORE)		14	1-790-355-54	CORD (WITH CONNECTOR) (RCA)	(SUB OUT (MONO))
4	3-246-441-01	BUTTON (EJECT)		15	3-264-798-01	CAP	
5	3-260-247-01	CUSHION (SUB PANEL)		F901	1-532-877-11	FUSE (BLADE TYPE) (AUTO FUSE) 10A	
6	3-042-244-01	SCREW (T)		TU300	A-3220-961-B	TUNER UNIT (TUX-032)	
7	X-2067-744-1	PANEL ASSY, SUB (FL)		#1	7-685-792-09	SCREW +PTT 2.6X6 (S)	
8	X-3384-203-1	GEAR ASSY		#2	7-685-790-01	SCREW +PTT 2.6X4 (S)	
9	3-713-786-51	SCREW +P 2X3		#3	7-685-793-09	SCREW +PTT 2.6X8 (S)	
10	3-376-464-11	SCREW (+PTT 2.6X6), GROUND POINT					
11	A-1156-591-A	MAIN BOARD, COMPLETE (US,CND)					
11	A-1158-884-A	MAIN BOARD, COMPLETE (AEP,UK)					
11	A-1158-896-A	MAIN BOARD, COMPLETE (GT550)					
11	A-1158-918-A	MAIN BOARD, COMPLETE (GT500EE)					

4-2. FRONT PANEL SECTION



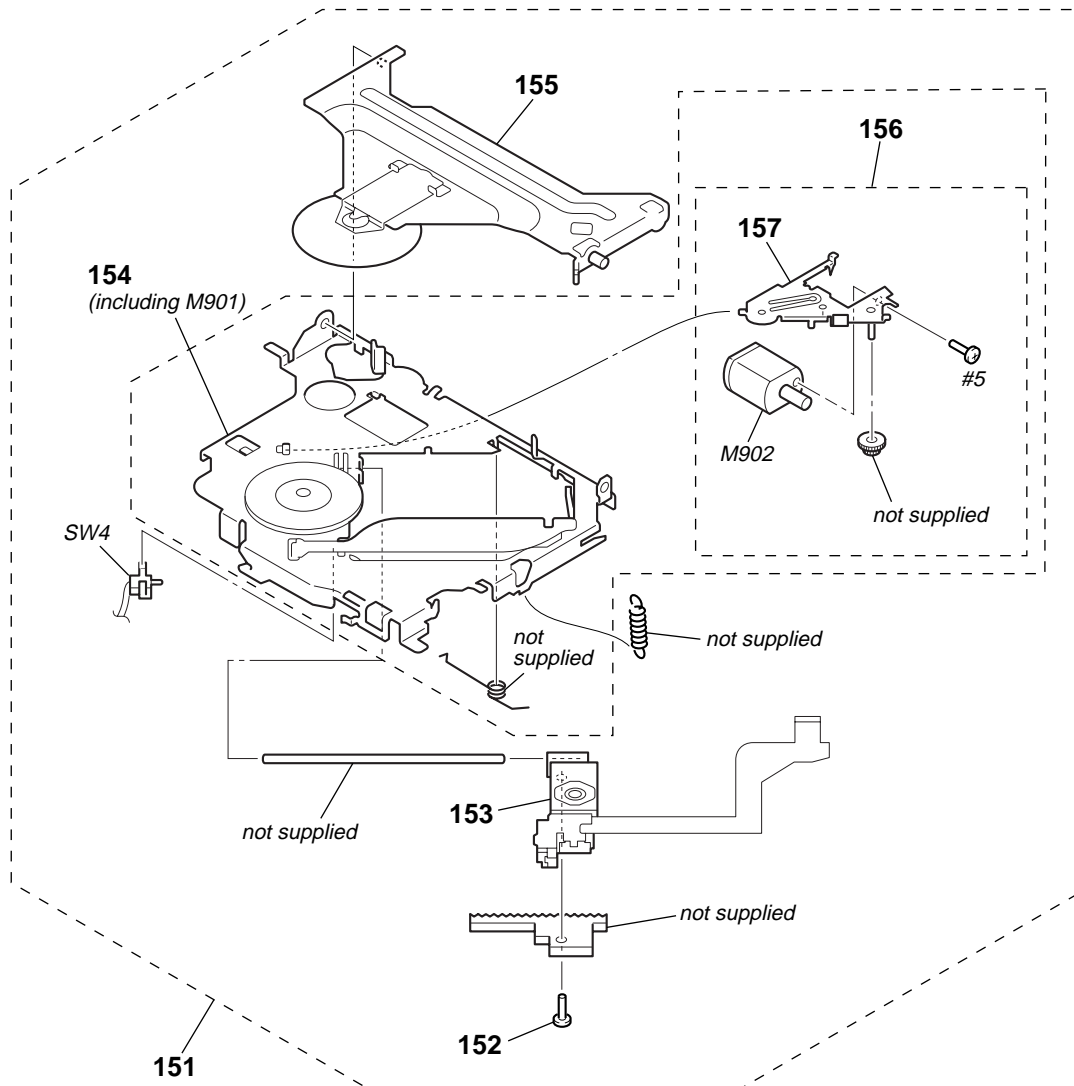
Ref. No.	Part No.	Description	Remark	Ref. No.	Part No.	Description	Remark
51	X-2103-564-1	BUTTON ASSY (S) (EXCEPT AEP,UK)		57	3-250-543-21	SCREW (+B P-TITE M2)	
51	X-2103-565-1	BUTTON ASSY (S) (AEP,UK)		58	X-2055-358-1	CASE ASSY (for FRONT PANEL) (EXCEPT US)	
52	3-264-712-01	SPRING (OPEN)		59	A-1156-594-A	PANEL COMPLETE ASSY, FRONT (GT500:US)	
53	X-2103-559-1	PANEL (SV) ASSY, FRONT (GT500:US,CND)		59	A-1158-887-A	PANEL COMPLETE ASSY, FRONT (GT500:AEP,UK)	
53	X-2103-560-1	PANEL (SV) ASSY, FRONT (GT500:AEP,UK)		59	A-1158-899-A	PANEL COMPLETE ASSY, FRONT (GT550)	
53	X-2103-561-1	PANEL (SV) ASSY, FRONT (GT550)		59	A-1158-910-A	PANEL COMPLETE ASSY, FRONT (GT50W)	
53	X-2103-562-1	PANEL (SV) ASSY, FRONT (GT50W)		59	A-1158-922-A	PANEL COMPLETE ASSY, FRONT (GT500EE)	
53	X-2103-563-1	PANEL (SV) ASSY, FRONT (GT500EE)		59	A-1173-675-A	PANEL COMPLETE ASSY, FRONT (GT500:CND)	
54	X-2103-060-1	KNOB ASSY (S)		ENC902	1-479-481-12	ENCODER, ROTARY (PUSH SELECT/VOLUME)	
55	2-630-985-01	LIGHT GUIDE (VOLUME)		FL900	1-519-842-11	VACUUM FLUORESCENT DISPLAY	
56	X-2067-746-1	PANEL ASSY, FRONT BACK					

4-3. CD MECHANISM SECTION (1)
(MG-611WA-186//Q)



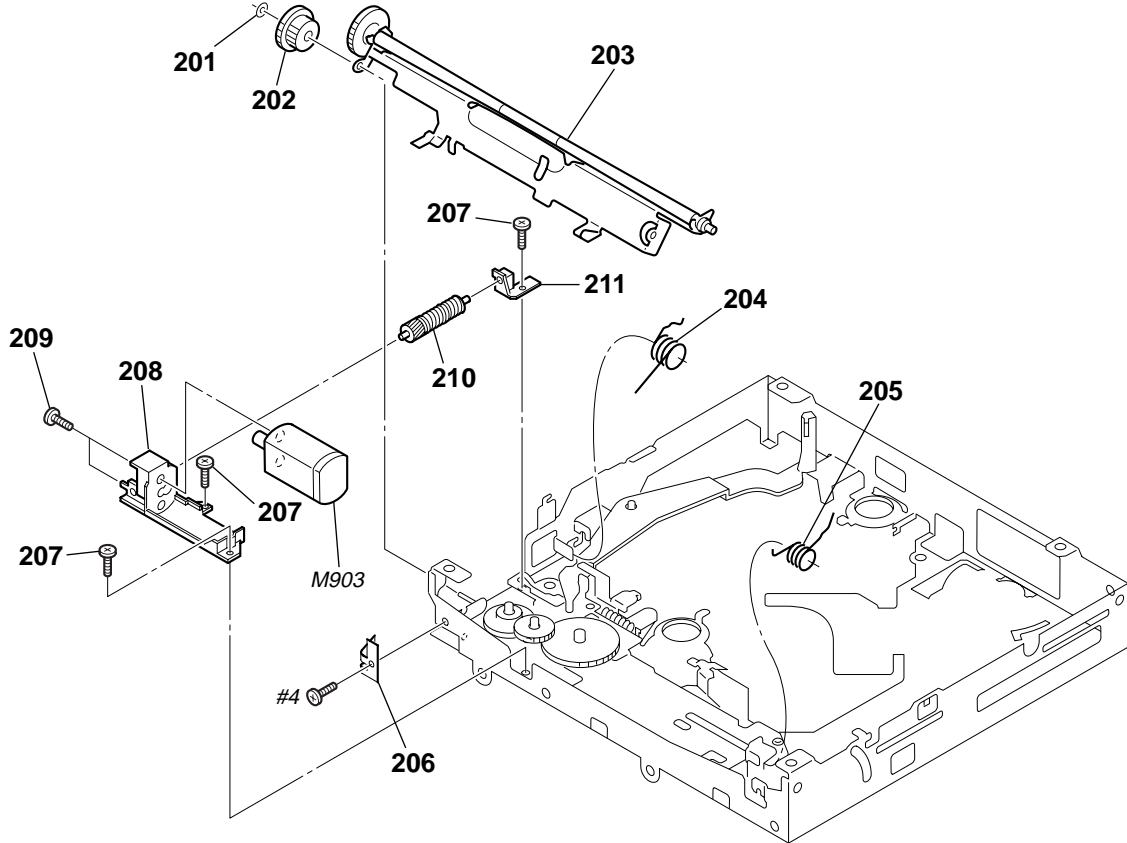
Ref. No.	Part No.	Description	Remark	Ref. No.	Part No.	Description	Remark
101	A-3372-444-C	CHASSIS (T) SUB ASSY		106	3-259-033-01	DAMPER (S)	
102	3-253-729-11	SPRING (LR), TENSION COIL		107	2-587-505-01	SCREW	
103	3-257-892-12	SPRING (DAMPER), COIL (GREEN)		108	A-1132-412-A	SERVO BOARD, COMPLETE	
104	3-257-892-01	SPRING (DAMPER), COIL (NATURAL)		#4	7-627-552-87	SCREW, PRECISION +P 1.7X2.2	
105	2-345-767-11	SPRING (KF60), TENSION					

4-4. CD MECHANISM SECTION (2)
(MG-611WA-186//Q)



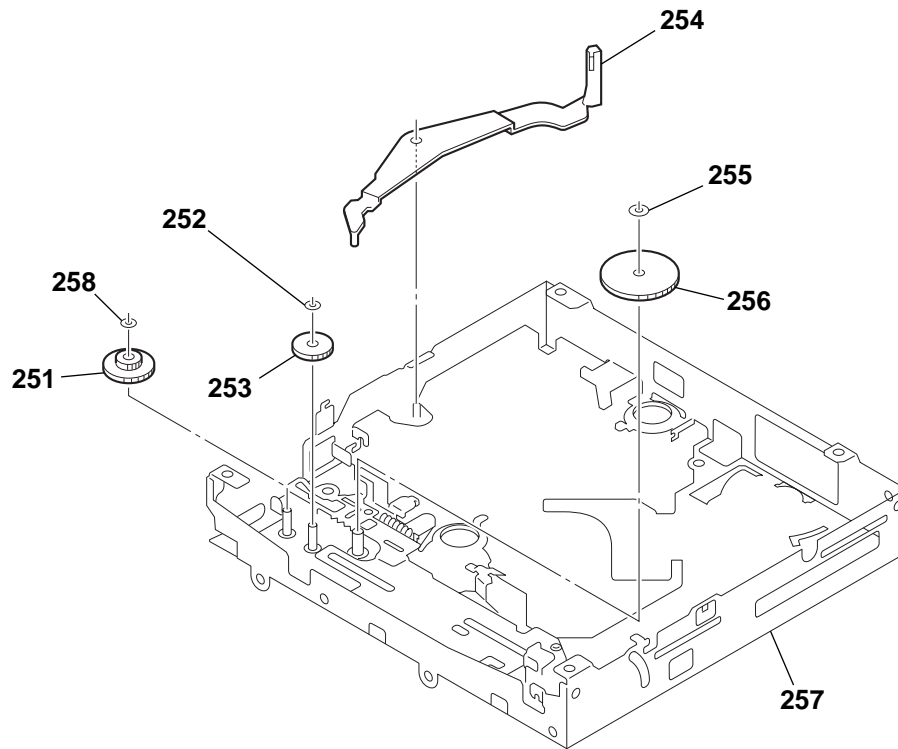
Ref. No.	Part No.	Description	Remark	Ref. No.	Part No.	Description	Remark
151	A-1075-644-A	CHASSIS (OP) COMPLETE ASSY		156	A-3372-446-A	LEVER (SL) SUB ASSY	
152	3-316-938-91	SCREW (B1.4X5), TAPPING		157	X-3384-090-3	LEVER (SL) ASSY	
△ 153	8-820-207-12	OPTICAL PICK-UP (KSS1000E/K1RP)		M902	A-3372-447-A	MOTOR ASSY, SL (SLED)	
154	A-1075-645-A	CHASSIS (OP) SUB ASSY (including M901)		SW4	1-571-099-11	SWITCH (1 KEY) (LIMIT)	
155	A-3372-449-A	ARM SUB ASSY, CHUCKING		#5	7-627-850-77	SCREW, PRECISION +P 1.4X1.8	

4-5. CD MECHANISM SECTION (3)
(MG-611WA-186//Q)



Ref. No.	Part No.	Description	Remark	Ref. No.	Part No.	Description	Remark
201	3-348-993-01	WASHER		208	2-186-696-02	BRACKET (LEM-N)	
202	2-186-699-01	GEAR (RA1)		209	3-345-648-91	SCREW (M1.4), TOOTHED LOCK	
203	A-1075-641-C	ARM ASSY, ROLLER		210	A-1083-636-A	GEAR (LE) ASSY	
204	2-635-295-01	SPRING (RAL-B)		211	2-186-697-01	BEARING (LEB-N)	
205	2-635-296-01	SPRING (RAR-B)		M903	A-1166-300-A	MOTOR ASSY (B), LE (LOADING)	
206	3-259-469-12	SPRING (LE), LEAF		#4	7-627-552-87	SCREW, PRECISION +P 1.7X2.2	
207	2-134-636-21	SCREW (M1.7X2.5)					

4-6. CD MECHANISM SECTION (4)
(MG-611WA-186//Q)



Ref. No.	Part No.	Description	Remark	Ref. No.	Part No.	Description	Remark
251	2-186-700-01	GEAR (CHK1)		255	2-630-962-01	WASHER (SLIT)	
252	3-344-223-01	WASHER		* 256	2-590-545-01	GEAR (LE2-M)	
253	3-259-470-12	GEAR (LE1)		257	A-1075-640-B	CHASSIS (M) BLOCK ASSY	
254	3-253-755-41	LEVER (D)		258	3-348-993-01	WASHER	

SECTION 5
ELECTRICAL PARTS LIST

KEY

NOTE:

- Due to standardization, replacements in the parts list may be different from the parts specified in the diagrams or the components used on the set.
- -XX and -X mean standardized parts, so they may have some difference from the original one.
- RESISTORS
All resistors are in ohms.
METAL: Metal-film resistor.
METAL OXIDE: Metal oxide-film resistor.
F: nonflammable

- Items marked “*” are not stocked since they are seldom required for routine service. Some delay should be anticipated when ordering these items.
- SEMICONDUCTORS
In each case, u : μ , for example:
uA.. : μ A.. uPA.. : μ PA..
uPB.. : μ PB.. uPC.. : μ PC.. uPD.. : μ PD..
- CAPACITORS
uF : μ F
- COILS
uH : μ H
- Abbreviation
CND: Canadian model
EE : East European model
MX : Mexican model
CH : Chinese model

The components identified by mark Δ or dotted line with mark Δ are critical for safety. Replace only with part number specified.

Les composants identifiés par une marque Δ sont critiques pour la sécurité. Ne les remplacer que par une pièce portant le numéro spécifié.

When indicating parts by reference number, please include the board.

Ref. No.	Part No.	Description	Remark
		KEY BOARD *****	
		< CAPACITOR >	
C901	1-127-715-11	CERAMIC CHIP 0.22uF	10% 16V
C903	1-163-021-11	CERAMIC CHIP 0.01uF	10% 50V
C904	1-163-021-11	CERAMIC CHIP 0.01uF	10% 50V
C970	1-107-826-11	CERAMIC CHIP 0.1uF	10% 16V
C971	1-107-826-11	CERAMIC CHIP 0.1uF	10% 16V
C972	1-107-826-11	CERAMIC CHIP 0.1uF	10% 16V
C973	1-125-837-11	CERAMIC CHIP 1uF	10% 6.3V
C974	1-107-826-11	CERAMIC CHIP 0.1uF	10% 16V
C975	1-162-913-11	CERAMIC CHIP 8PF	0.5PF 50V
C976	1-162-913-11	CERAMIC CHIP 8PF	0.5PF 50V
C977	1-125-837-11	CERAMIC CHIP 1uF	10% 6.3V
C978	1-100-623-11	CERAMIC CHIP 0.1uF	10% 100V
C980	1-127-715-11	CERAMIC CHIP 0.22uF	10% 16V
C981	1-107-826-11	CERAMIC CHIP 0.1uF	10% 16V
C984	1-107-826-11	CERAMIC CHIP 0.1uF	10% 16V
C985	1-107-826-11	CERAMIC CHIP 0.1uF	10% 16V
		< CONNECTOR >	
CNP900	1-818-141-11	PLUG, CONNECTOR 20P	
		< DIODE >	
D900	6-501-167-01	DIODE UDZW-TE17-5.1B	
D901	6-500-886-01	DIODE RSA6.1ENTR	
D903	6-500-886-01	DIODE RSA6.1ENTR	
D904	6-501-180-01	DIODE UDZW-TE17-18B	
D905	6-501-170-01	DIODE UDZW-TE17-6.8B	
D906	6-501-170-01	DIODE UDZW-TE17-6.8B	
D909	6-500-886-01	DIODE RSA6.1ENTR	
D910	6-501-193-01	DIODE 1SS355WTE-17	
		< ROTARY ENCODER >	
ENC902	1-479-481-12	ENCODER, ROTARY (PUSH SELECT/VOLUME)	
		< VACUUM FLUORESCENT DISPLAY >	
FL900	1-519-842-11	VACUUM FLUORESCENT DISPLAY	
		< IC >	
IC900	6-600-163-01	IC RS-770 (IR)	
IC901	6-806-178-01	IC uPD703263GC-103-8EA-A	

Ref. No.	Part No.	Description	Remark
IC902	6-707-877-01	IC TC74VHC32FT(EKJ)	
IC971	8-759-659-13	IC PST3428UL	
		< LED >	
LED900	6-500-450-01	LED CL-195SR-CD-T	(VOLUME ILLUMINATION) (GT500/GT550)
LED900	6-500-510-01	LED CL-195PG-CD-T	(VOLUME ILLUMINATION) (GT50W/GT500EE)
LED901	6-500-450-01	LED CL-195SR-CD-T	(VOLUME ILLUMINATION) (GT500/GT550)
LED901	6-500-510-01	LED CL-195PG-CD-T	(VOLUME ILLUMINATION) (GT50W/GT500EE)
LED902	6-500-450-01	LED CL-195SR-CD-T	(VOLUME ILLUMINATION) (GT500/GT550)
LED902	6-500-510-01	LED CL-195PG-CD-T	(VOLUME ILLUMINATION) (GT50W/GT500EE)
LED903	6-500-450-01	LED CL-195SR-CD-T	(VOLUME ILLUMINATION) (GT500/GT550)
LED903	6-500-510-01	LED CL-195PG-CD-T	(VOLUME ILLUMINATION) (GT50W/GT500EE)
LED904	6-500-450-01	LED CL-195SR-CD-T (SOURCE)	(GT500/GT550)
LED904	6-500-510-01	LED CL-195PG-CD-T (SOURCE)	(GT50W/GT500EE)
LED905	6-500-450-01	LED CL-195SR-CD-T (MODE)	(GT500/GT550)
LED905	6-500-510-01	LED CL-195PG-CD-T (MODE)	(GT50W/GT500EE)
LED906	6-500-450-01	LED CL-195SR-CD-T (SCRL)	(GT500:US,CND/GT550)
LED906	6-500-450-01	LED CL-195SR-CD-T (AF/TA)	(GT500:AEP,UK)
LED906	6-500-510-01	LED CL-195PG-CD-T (SCRL)	(GT50W/GT500EE)
LED907	6-500-450-01	LED CL-195SR-CD-T (3)	(GT500/GT550)
LED907	6-500-510-01	LED CL-195PG-CD-T (3)	(GT50W/GT500EE)
LED908	6-500-450-01	LED CL-195SR-CD-T (2)	(GT500/GT550)
LED908	6-500-510-01	LED CL-195PG-CD-T (2)	(GT50W/GT500EE)
LED909	6-500-450-01	LED CL-195SR-CD-T (1)	(GT500/GT550)
LED909	6-500-510-01	LED CL-195PG-CD-T (1)	(GT50W/GT500EE)
LED910	6-500-450-01	LED CL-195SR-CD-T (6)	(GT500/GT550)

Ref. No.	Part No.	Description	Remark	Ref. No.	Part No.	Description	Remark
LED910	6-500-510-01	LED CL-195PG-CD-T (6) (GT50W/GT500EE)				< RESISTOR >	
LED911	6-500-450-01	LED CL-195SR-CD-T (5) (GT500/GT550)		R900	1-216-815-11	METAL CHIP 330	5% 1/10W
LED911	6-500-510-01	LED CL-195PG-CD-T (5) (GT50W/GT500EE)		R901	1-216-815-11	METAL CHIP 330	5% 1/10W
LED912	6-500-450-01	LED CL-195SR-CD-T (4) (GT500/GT550)		R902	1-216-864-11	SHORT CHIP 0	
LED912	6-500-510-01	LED CL-195PG-CD-T (4) (GT50W/GT500EE)		R903	1-216-801-11	METAL CHIP 22	5% 1/10W
LED913	6-500-450-01	LED CL-195SR-CD-T (DSO) (GT500/GT550)		R904	1-216-801-11	METAL CHIP 22	5% 1/10W
LED913	6-500-510-01	LED CL-195PG-CD-T (DSO) (GT50W/GT500EE)		R905	1-216-797-11	METAL CHIP 10	5% 1/10W
LED914	6-500-450-01	LED CL-195SR-CD-T (IMAGE) (GT500/GT550)		R906	1-216-797-11	METAL CHIP 10	5% 1/10W
LED914	6-500-510-01	LED CL-195PG-CD-T (IMAGE) (GT50W/GT500EE)		R907	1-216-801-11	METAL CHIP 22	5% 1/10W
LED915	6-500-450-01	LED CL-195SR-CD-T (EQ3) (GT500/GT550)		R908	1-216-801-11	METAL CHIP 22	5% 1/10W
LED915	6-500-510-01	LED CL-195PG-CD-T (EQ3) (GT50W/GT500EE)		R909	1-216-801-11	METAL CHIP 22	5% 1/10W
		< SWITCH >		R910	1-216-801-11	METAL CHIP 22	5% 1/10W
LSW901	1-786-800-11	SWITCH, TACTILE (WITH LED) (OFF) (GT500/GT550)		R911	1-216-819-11	METAL CHIP 680	5% 1/10W
LSW901	1-786-801-11	SWITCH, TACTILE (WITH LED) (OFF) (GT50W/GT500EE)		R912	1-216-819-11	METAL CHIP 680	5% 1/10W
LSW902	1-786-800-11	SWITCH, TACTILE (WITH LED) (DSPL) (GT500/GT550)		R913	1-216-819-11	METAL CHIP 680	5% 1/10W
LSW902	1-786-801-11	SWITCH, TACTILE (WITH LED) (DSPL) (GT50W/GT500EE)		R914	1-216-821-11	METAL CHIP 1K	5% 1/10W
LSW903	1-786-805-11	SWITCH, TACTILE (WITH LED) (SENS) (GT500:US,CND/GT550)		R915	1-216-823-11	METAL CHIP 1.5K	5% 1/10W
LSW903	1-786-805-11	SWITCH, TACTILE (WITH LED) (SENS/BTM) (GT500:AEP,UK)		R916	1-216-823-11	METAL CHIP 1.5K	5% 1/10W
LSW903	1-786-806-11	SWITCH, TACTILE (WITH LED) (SENS) (GT50W/GT500EE)		R917	1-216-825-11	METAL CHIP 2.2K	5% 1/10W
LSW904	1-786-805-11	SWITCH, TACTILE (WITH LED) (SEEK + ►►►►) (GT500/GT550)		R918	1-216-827-11	METAL CHIP 3.3K	5% 1/10W
LSW904	1-786-806-11	SWITCH, TACTILE (WITH LED) (SEEK + ►►►►) (GT50W/GT500EE)		R919	1-216-829-11	METAL CHIP 4.7K	5% 1/10W
LSW905	1-786-805-11	SWITCH, TACTILE (WITH LED) (BTM/CAT) (GT500:US,CND)		R920	1-218-867-11	METAL CHIP 6.8K	0.5% 1/10W
LSW905	1-786-805-11	SWITCH, TACTILE (WITH LED) (PTY) (GT500:AEP,UK)		R921	1-216-809-11	METAL CHIP 100	5% 1/10W
LSW905	1-786-805-11	SWITCH, TACTILE (WITH LED) (BTM) (GT550)		R922	1-216-809-11	METAL CHIP 100	5% 1/10W
LSW905	1-786-806-11	SWITCH, TACTILE (WITH LED) (BTM/CAT) (GT50W)		R923	1-216-819-11	METAL CHIP 680	5% 1/10W
LSW905	1-786-806-11	SWITCH, TACTILE (WITH LED) (BTM) (GT500EE)		R924	1-216-819-11	METAL CHIP 680	5% 1/10W
LSW907	1-786-805-11	SWITCH, TACTILE (WITH LED) (GP/ALBM +) (GT500/GT550)		R925	1-216-819-11	METAL CHIP 680	5% 1/10W
LSW907	1-786-806-11	SWITCH, TACTILE (WITH LED) (GP/ALBM +) (GT50W/GT500EE)		R926	1-216-821-11	METAL CHIP 1K	5% 1/10W
LSW908	1-786-805-11	SWITCH, TACTILE (WITH LED) (SEEK - ◄◄◄◄) (GT500/GT550)		R927	1-216-823-11	METAL CHIP 1.5K	5% 1/10W
LSW908	1-786-806-11	SWITCH, TACTILE (WITH LED) (SEEK - ◄◄◄◄) (GT50W/GT500EE)		R928	1-216-823-11	METAL CHIP 1.5K	5% 1/10W
LSW909	1-786-805-11	SWITCH, TACTILE (WITH LED) (GP/ALBM -) (GT500/GT550)		R929	1-216-825-11	METAL CHIP 2.2K	5% 1/10W
LSW909	1-786-806-11	SWITCH, TACTILE (WITH LED) (GP/ALBM -) (GT50W/GT500EE)		R930	1-216-827-11	METAL CHIP 3.3K	5% 1/10W
				R931	1-216-829-11	METAL CHIP 4.7K	5% 1/10W
				R932	1-218-867-11	METAL CHIP 6.8K	0.5% 1/10W
				R933	1-216-812-11	METAL CHIP 180	5% 1/10W
				R933	1-216-813-11	METAL CHIP 220	5% 1/10W
						(GT50W/GT500EE)	
						(GT500/GT550)	
				R934	1-216-812-11	METAL CHIP 180	5% 1/10W
				R935	1-216-812-11	METAL CHIP 180	5% 1/10W
						(GT50W/GT500EE)	
				R935	1-216-813-11	METAL CHIP 220	5% 1/10W
						(GT500/GT550)	
				R936	1-216-810-11	METAL CHIP 120	5% 1/10W
				R936	1-216-811-11	METAL CHIP 150	5% 1/10W
						(GT500/GT550)	
				R937	1-216-809-11	METAL CHIP 100	5% 1/10W
				R937	1-216-811-11	METAL CHIP 150	5% 1/10W
						(GT500/GT550)	
				R938	1-216-813-11	METAL CHIP 220	5% 1/10W
						(GT50W/GT500EE)	
				R938	1-216-814-11	METAL CHIP 270	5% 1/10W
						(GT500/GT550)	
				R939	1-216-810-11	METAL CHIP 120	5% 1/10W
						(GT50W/GT500EE)	
				R939	1-216-811-11	METAL CHIP 150	5% 1/10W
						(GT500/GT550)	

CDX-GT50W/GT500/GT500EE/GT550

KEY

Ref. No.	Part No.	Description	Quantity	Remark	Ref. No.	Part No.	Description	Quantity	Remark
R940	1-216-809-11	METAL CHIP	100	5% 1/10W (GT50W/GT500EE)	R967	1-414-760-21	INDUCTOR, FERRITE BEAD		
R940	1-216-811-11	METAL CHIP	150	5% 1/10W (GT500/GT550)	R968	1-414-760-21	INDUCTOR, FERRITE BEAD		
R942	1-216-813-11	METAL CHIP	220	5% 1/10W (GT50W/GT500EE)	R969	1-216-833-11	METAL CHIP 10K	5%	1/10W
R942	1-216-814-11	METAL CHIP	270	5% 1/10W (GT500/GT550)	R970	1-216-801-11	METAL CHIP 22	5%	1/10W
R943	1-216-810-11	METAL CHIP	120	5% 1/10W (GT50W/GT500EE)	R971	1-216-864-11	SHORT CHIP 0		
R943	1-216-811-11	METAL CHIP	150	5% 1/10W (GT500/GT550)	R972	1-414-760-21	INDUCTOR, FERRITE BEAD		
R944	1-216-809-11	METAL CHIP	100	5% 1/10W (GT50W/GT500EE)	R973	1-216-801-11	METAL CHIP 22	5%	1/10W
R944	1-216-811-11	METAL CHIP	150	5% 1/10W (GT500/GT550)	R974	1-414-760-21	INDUCTOR, FERRITE BEAD		
R945	1-216-810-11	METAL CHIP	120	5% 1/10W (GT50W/GT500EE)	R975	1-414-760-21	INDUCTOR, FERRITE BEAD		
R945	1-216-811-11	METAL CHIP	150	5% 1/10W (GT500/GT550)	R976	1-414-760-21	INDUCTOR, FERRITE BEAD		
R946	1-216-809-11	METAL CHIP	100	5% 1/10W (GT50W/GT500EE)	R977	1-414-760-21	INDUCTOR, FERRITE BEAD		
R946	1-216-811-11	METAL CHIP	150	5% 1/10W (GT500/GT550)	R979	1-414-760-21	INDUCTOR, FERRITE BEAD		
R947	1-216-810-11	METAL CHIP	120	5% 1/10W (GT50W/GT500EE)	R980	1-216-797-11	METAL CHIP 10	5%	1/10W
R947	1-216-811-11	METAL CHIP	150	5% 1/10W (GT500/GT550)	R981	1-414-760-21	INDUCTOR, FERRITE BEAD		
R948	1-216-809-11	METAL CHIP	100	5% 1/10W (GT50W/GT500EE)	R982	1-414-235-22	INDUCTOR, FERRITE BEAD		
R948	1-216-811-11	METAL CHIP	150	5% 1/10W (GT500/GT550)	R983	1-216-801-11	METAL CHIP 22	5%	1/10W
R949	1-216-810-11	METAL CHIP	120	5% 1/10W (GT50W/GT500EE)	R984	1-216-815-11	METAL CHIP 330	5%	1/10W
R949	1-216-811-11	METAL CHIP	150	5% 1/10W (GT500/GT550)	R985	1-216-801-11	METAL CHIP 22	5%	1/10W
R950	1-216-809-11	METAL CHIP	100	5% 1/10W (GT50W/GT500EE)	R988	1-414-235-22	INDUCTOR, FERRITE BEAD		
R950	1-216-811-11	METAL CHIP	150	5% 1/10W (GT500/GT550)	R989	1-216-841-11	METAL CHIP 47K	5%	1/10W
R951	1-216-864-11	SHORT CHIP	0		R990	1-216-845-11	METAL CHIP 100K	5%	1/10W
R952	1-216-864-11	SHORT CHIP	0		R991	1-216-841-11	METAL CHIP 47K	5%	1/10W
R953	1-216-864-11	SHORT CHIP	0		R992	1-216-009-11	RES-CHIP 22	5%	1/10W
R954	1-216-813-11	METAL CHIP	220	5% 1/10W (GT50W/GT500EE)	R993	1-216-845-11	METAL CHIP 100K	5%	1/10W
R954	1-216-814-11	METAL CHIP	270	5% 1/10W (GT500/GT550)	R994	1-216-815-11	METAL CHIP 330	5%	1/10W
R955	1-216-813-11	METAL CHIP	220	5% 1/10W (GT50W/GT500EE)	R995	1-414-760-21	INDUCTOR, FERRITE BEAD		
R955	1-216-814-11	METAL CHIP	270	5% 1/10W (GT500/GT550)	R996	1-216-797-11	METAL CHIP 10	5%	1/10W
R956	1-414-234-22	INDUCTOR, FERRITE BEAD			R997	1-216-821-11	METAL CHIP 1K	5%	1/10W
R957	1-216-864-11	SHORT CHIP	0		R998	1-216-009-11	RES-CHIP 22	5%	1/10W
R958	1-216-295-11	SHORT CHIP	0		R999	1-216-841-11	METAL CHIP 47K	5%	1/10W
R959	1-216-864-11	SHORT CHIP	0		< SWITCH >				
R960	1-216-864-11	SHORT CHIP	0		S908	1-786-653-21	SWITCH, TACTILE (DSO)		
R961	1-216-864-11	SHORT CHIP	0		S911	1-786-653-21	SWITCH, TACTILE (SOURCE)		
R962	1-216-797-11	METAL CHIP	10	5% 1/10W	S912	1-786-653-21	SWITCH, TACTILE (EQ3)		
R963	1-216-801-11	METAL CHIP	22	5% 1/10W	S913	1-786-653-21	SWITCH, TACTILE (6/PAUSE)		
R964	1-414-760-21	INDUCTOR, FERRITE BEAD			S914	1-786-653-21	SWITCH, TACTILE (5/BBE MP)		
R965	1-414-760-21	INDUCTOR, FERRITE BEAD			S915	1-786-653-21	SWITCH, TACTILE (4/SHUF)		
R966	1-414-760-21	INDUCTOR, FERRITE BEAD			S916	1-786-653-21	SWITCH, TACTILE (3/REP)		
					S917	1-786-653-21	SWITCH, TACTILE (2)		
					S918	1-786-653-21	SWITCH, TACTILE (1)		
					S919	1-786-653-21	SWITCH, TACTILE (SCRL) (GT50W/GT500:US,CND/GT500EE/GT550)		
					S919	1-786-653-21	SWITCH, TACTILE (AF/TA) (GT500:AEP,UK)		
					S920	1-786-653-21	SWITCH, TACTILE (MODE)		
					S921	1-786-653-21	SWITCH, TACTILE (IMAGE)		
					< VIBRATOR >				
					X901	1-813-487-21	VIBRATOR, CRYSTAL (5MHz)		

Ref. No.	Part No.	Description	Remark	Ref. No.	Part No.	Description	Remark
A-1156-591-A		MAIN BOARD, COMPLETE (US,CND)		C206	1-126-960-11	ELECT	1uF 20% 50V (EXCEPT AEP,UK,EE)
A-1158-884-A		MAIN BOARD, COMPLETE (AEP,UK)		C209	1-165-908-11	CERAMIC CHIP	1uF 10% 10V
A-1158-896-A		MAIN BOARD, COMPLETE (GT550)		C210	1-165-908-11	CERAMIC CHIP	1uF 10% 10V
A-1158-918-A		MAIN BOARD, COMPLETE (GT500EE)		C211	1-124-721-85	ELECT	10uF 20% 50V (AEP,UK,EE)
		*****		C211	1-126-964-11	ELECT	10uF 20% 50V (EXCEPT AEP,UK,EE)
7-621-284-40		SCREW +P 2.6X10		C217	1-163-251-11	CERAMIC CHIP	100PF 5% 50V
7-685-134-19		SCREW +P 2.6X8 TYPE2 NON-SLIT		C219	1-162-970-11	CERAMIC CHIP	0.01uF 10% 25V
7-685-793-09		SCREW +PTT 2.6X8 (S)		C220	1-163-251-11	CERAMIC CHIP	100PF 5% 50V
7-685-795-09		SCREW +PTT 2.6X12 (S)		C221	1-124-673-85	ELECT	100uF 20% 10V (AEP,UK,EE)
		< CAPACITOR >		C221	1-126-933-11	ELECT	100uF 20% 16V (EXCEPT AEP,UK,EE)
C100	1-112-302-11	ELECT	3300uF 20% 16V (AEP,UK,EE)	C223	1-163-251-11	CERAMIC CHIP	100PF 5% 50V
C100	1-131-868-81	ELECT	3300uF 20% 16V (EXCEPT AEP,UK,EE)	C224	1-124-721-85	ELECT	10uF 20% 50V (AEP,UK,EE)
C101	1-162-964-11	CERAMIC CHIP	0.001uF 10% 50V	C224	1-126-964-11	ELECT	10uF 20% 50V (EXCEPT AEP,UK,EE)
C102	1-115-340-11	CERAMIC CHIP	0.22uF 10% 25V	C225	1-124-721-85	ELECT	10uF 20% 50V (AEP,UK,EE)
C103	1-162-964-11	CERAMIC CHIP	0.001uF 10% 50V	C225	1-126-964-11	ELECT	10uF 20% 50V (EXCEPT AEP,UK,EE)
C112	1-163-009-11	CERAMIC CHIP	0.001uF 10% 50V	C226	1-124-721-85	ELECT	10uF 20% 50V (AEP,UK,EE)
C150	1-126-964-11	ELECT	10uF 20% 50V	C226	1-126-964-11	ELECT	10uF 20% 50V (EXCEPT AEP,UK,EE)
C151	1-162-970-11	CERAMIC CHIP	0.01uF 10% 25V	C227	1-124-721-85	ELECT	10uF 20% 50V (AEP,UK,EE)
C152	1-126-964-11	ELECT	10uF 20% 50V	C227	1-126-964-11	ELECT	10uF 20% 50V (EXCEPT AEP,UK,EE)
C153	1-162-970-11	CERAMIC CHIP	0.01uF 10% 25V	C228	1-124-721-85	ELECT	10uF 20% 50V (AEP,UK,EE)
C154	1-115-340-11	CERAMIC CHIP	0.22uF 10% 25V	C228	1-126-964-11	ELECT	10uF 20% 50V (EXCEPT AEP,UK,EE)
C155	1-126-964-11	ELECT	10uF 20% 50V	C229	1-163-251-11	CERAMIC CHIP	100PF 5% 50V
C156	1-126-964-11	ELECT	10uF 20% 50V	C230	1-163-251-11	CERAMIC CHIP	100PF 5% 50V
C157	1-162-970-11	CERAMIC CHIP	0.01uF 10% 25V	C231	1-163-251-11	CERAMIC CHIP	100PF 5% 50V
C158	1-162-927-11	CERAMIC CHIP	100PF 5% 50V	C232	1-163-009-11	CERAMIC CHIP	0.001uF 10% 50V
C159	1-162-927-11	CERAMIC CHIP	100PF 5% 50V	C233	1-165-908-11	CERAMIC CHIP	1uF 10% 10V
C160	1-115-340-11	CERAMIC CHIP	0.22uF 10% 25V	C234	1-165-908-11	CERAMIC CHIP	1uF 10% 10V
C161	1-115-340-11	CERAMIC CHIP	0.22uF 10% 25V	C235	1-165-908-11	CERAMIC CHIP	1uF 10% 10V
C162	1-115-340-11	CERAMIC CHIP	0.22uF 10% 25V	C236	1-165-908-11	CERAMIC CHIP	1uF 10% 10V
C163	1-162-970-11	CERAMIC CHIP	0.01uF 10% 25V	C237	1-165-908-11	CERAMIC CHIP	1uF 10% 10V
C164	1-126-964-11	ELECT	10uF 20% 50V	C238	1-165-908-11	CERAMIC CHIP	1uF 10% 10V
C165	1-126-961-11	ELECT	2.2uF 20% 50V	C239	1-165-908-11	CERAMIC CHIP	1uF 10% 10V
C166	1-162-927-11	CERAMIC CHIP	100PF 5% 50V	C240	1-165-908-11	CERAMIC CHIP	1uF 10% 10V
C167	1-162-927-11	CERAMIC CHIP	100PF 5% 50V	C245	1-136-154-00	FILM	0.012uF 5% 50V
C168	1-162-970-11	CERAMIC CHIP	0.01uF 10% 25V	C246	1-162-965-11	CERAMIC CHIP	0.0015uF 10% 50V
C169	1-126-964-11	ELECT	10uF 20% 50V	C250	1-126-947-11	ELECT	47uF 20% 35V
C170	1-162-970-11	CERAMIC CHIP	0.01uF 10% 25V	C255	1-136-154-00	FILM	0.012uF 5% 50V
C171	1-162-923-11	CERAMIC CHIP	47PF 5% 50V	C256	1-162-965-11	CERAMIC CHIP	0.0015uF 10% 50V
C172	1-128-551-11	ELECT	22uF 20% 63V (EXCEPT AEP,UK,EE)	C257	1-162-927-11	CERAMIC CHIP	100PF 5% 50V
C172	1-124-695-85	ELECT	22uF 20% 25V (AEP,UK,EE)	C300	1-162-964-11	CERAMIC CHIP	0.001uF 10% 50V
C173	1-127-715-11	CERAMIC CHIP	0.22uF 10% 16V	C301	1-162-964-11	CERAMIC CHIP	0.001uF 10% 50V
C174	1-115-340-11	CERAMIC CHIP	0.22uF 10% 25V	C302	1-126-963-11	ELECT	4.7uF 20% 50V (AEP,UK)
C175	1-115-340-11	CERAMIC CHIP	0.22uF 10% 25V	C304	1-107-826-11	CERAMIC CHIP	0.1uF 10% 16V (EXCEPT AEP,UK)
C200	1-163-009-11	CERAMIC CHIP	0.001uF 10% 50V	C305	1-126-947-11	ELECT	47uF 20% 35V
C201	1-107-826-11	CERAMIC CHIP	0.1uF 10% 16V				
C202	1-126-960-11	ELECT	1uF 20% 50V				
C203	1-126-960-11	ELECT	1uF 20% 50V				
C204	1-126-960-11	ELECT	1uF 20% 50V				
C205	1-124-717-85	ELECT	1uF 20% 50V (AEP,UK,EE)				
C205	1-126-960-11	ELECT	1uF 20% 50V (EXCEPT AEP,UK,EE)				
C206	1-124-717-85	ELECT	1uF 20% 50V (AEP,UK,EE)				

CDX-GT50W/GT500/GT500EE/GT550

MAIN

Ref. No.	Part No.	Description			Remark	Ref. No.	Part No.	Description			Remark
C306	1-162-970-11	CERAMIC CHIP	0.01uF	10%	25V	C628	1-107-826-11	CERAMIC CHIP	0.1uF	10%	16V
C307	1-126-947-11	ELECT	47uF	20%	35V	C629	1-126-933-11	ELECT	100uF	20%	16V
C308	1-162-970-11	CERAMIC CHIP	0.01uF	10%	25V	C642	1-107-826-11	CERAMIC CHIP	0.1uF	10%	16V
C309	1-162-970-11	CERAMIC CHIP	0.01uF	10%	25V	C644	1-162-964-11	CERAMIC CHIP	0.001uF	10%	50V
C310	1-107-826-11	CERAMIC CHIP	0.1uF	10%	16V	C700	1-126-933-11	ELECT	100uF	20%	16V
C350	1-162-923-11	CERAMIC CHIP	47PF	5%	50V (AEP,UK)	C701	1-162-970-11	CERAMIC CHIP	0.01uF	10%	25V
C352	1-216-864-11	SHORT CHIP	0 (AEP,UK)			C702	1-162-970-11	CERAMIC CHIP	0.01uF	10%	25V
C353	1-162-970-11	CERAMIC CHIP	0.01uF	10%	25V (AEP,UK)	C703	1-126-924-11	ELECT	330uF	20%	10V
C354	1-126-947-11	ELECT	47uF	20%	35V (AEP,UK)	C704	1-126-926-11	ELECT	1000uF	20%	10V
C355	1-107-826-11	CERAMIC CHIP	0.1uF	10%	16V (AEP,UK)	C705	1-163-009-11	CERAMIC CHIP	0.001uF	10%	50V
C356	1-107-826-11	CERAMIC CHIP	0.1uF	10%	16V (AEP,UK)	C710	1-162-927-11	CERAMIC CHIP	100PF	5%	50V
C357	1-107-826-11	CERAMIC CHIP	0.1uF	10%	16V (AEP,UK)	C713	1-107-826-11	CERAMIC CHIP	0.1uF	10%	16V
C358	1-107-826-11	CERAMIC CHIP	0.1uF	10%	16V (AEP,UK)	C714	1-126-964-11	ELECT	10uF	20%	50V
C359	1-107-826-11	CERAMIC CHIP	0.1uF	10%	16V (AEP,UK)	C715	1-162-970-11	CERAMIC CHIP	0.01uF	10%	25V
C360	1-107-826-11	CERAMIC CHIP	0.1uF	10%	16V (AEP,UK)	C716	1-162-917-11	CERAMIC CHIP	15PF	5%	50V
C361	1-162-959-11	CERAMIC CHIP	330PF	5%	50V (AEP,UK)	C717	1-162-917-11	CERAMIC CHIP	15PF	5%	50V
C362	1-164-237-11	CERAMIC CHIP	16PF	5%	50V (AEP,UK)	C718	1-162-970-11	CERAMIC CHIP	0.01uF	10%	25V
C363	1-164-237-11	CERAMIC CHIP	16PF	5%	50V (AEP,UK)	C719	1-162-970-11	CERAMIC CHIP	0.01uF	10%	25V
C401	1-128-551-11	ELECT	22uF	20%	63V	C720	1-162-970-11	CERAMIC CHIP	0.01uF	10%	25V
C402	1-162-970-11	CERAMIC CHIP	0.01uF	10%	25V	C721	1-162-970-11	CERAMIC CHIP	0.01uF	10%	25V
C403	1-162-970-11	CERAMIC CHIP	0.01uF	10%	25V	C724	1-162-970-11	CERAMIC CHIP	0.01uF	10%	25V
C404	1-126-964-11	ELECT	10uF	20%	50V	C725	1-162-964-11	CERAMIC CHIP	0.001uF	10%	50V
C405	1-128-551-11	ELECT	22uF	20%	63V	C726	1-162-964-11	CERAMIC CHIP	0.001uF	10%	50V
C406	1-162-970-11	CERAMIC CHIP	0.01uF	10%	25V	C727	1-162-964-11	CERAMIC CHIP	0.001uF	10%	50V
C407	1-162-970-11	CERAMIC CHIP	0.01uF	10%	25V	C728	1-162-964-11	CERAMIC CHIP	0.001uF	10%	50V
C408	1-124-673-85	ELECT	100uF	20%	10V (AEP,UK,EE)	C729	1-162-964-11	CERAMIC CHIP	0.001uF	10%	50V
C408	1-126-933-11	ELECT	100uF	20%	16V (EXCEPT AEP,UK,EE)	C730	1-162-964-11	CERAMIC CHIP	0.001uF	10%	50V
C450	1-162-970-11	CERAMIC CHIP	0.01uF	10%	25V	C731	1-162-964-11	CERAMIC CHIP	0.001uF	10%	50V
C451	1-126-935-11	ELECT	470uF	20%	16V	C733	1-162-970-11	CERAMIC CHIP	0.01uF	10%	25V
C453	1-162-970-11	CERAMIC CHIP	0.01uF	10%	25V	C903	1-162-970-11	CERAMIC CHIP	0.01uF	10%	25V
C500	1-126-961-11	ELECT	2.2uF	20%	50V	C904	1-162-970-11	CERAMIC CHIP	0.01uF	10%	25V
C510	1-126-963-11	ELECT	4.7uF	20%	50V			< CONNECTOR >			
C600	1-162-970-11	CERAMIC CHIP	0.01uF	10%	25V	CN100	1-774-701-21	PIN, CONNECTOR 16P			
C601	1-162-970-11	CERAMIC CHIP	0.01uF	10%	25V	* CN200	1-564-506-11	PLUG, CONNECTOR 3P			
C604	1-126-933-11	ELECT	100uF	20%	16V	CN400	1-817-536-11	CONNECTOR, BOARD TO BOARD 28P			
C605	1-162-970-11	CERAMIC CHIP	0.01uF	10%	25V	CN610	1-569-915-11	SOCKET, CONNECTOR 22P			
C610	1-135-834-11	CERAMIC CHIP	2.2uF		6.3V	CNJ450	1-580-907-41	PLUG, CONNECTOR (BUS CONTROL IN)			
C611	1-135-834-11	CERAMIC CHIP	2.2uF		6.3V			< DIODE >			
C612	1-162-964-11	CERAMIC CHIP	0.001uF	10%	50V	D100	6-501-170-01	DIODE UDZW-TE17-6.8B			
C620	1-126-933-11	ELECT	100uF	20%	16V	D101	8-719-049-38	DIODE 1N5404TU			
C621	1-128-552-11	ELECT	47uF	20%	63V	D102	6-501-180-01	DIODE UDZW-TE17-18B			
C622	1-126-934-11	ELECT	220uF	20%	16V	D103	6-501-180-01	DIODE UDZW-TE17-18B			
C624	1-107-826-11	CERAMIC CHIP	0.1uF	10%	16V	D104	6-501-180-01	DIODE UDZW-TE17-18B			
C625	1-162-966-11	CERAMIC CHIP	0.0022uF	10%	50V	D105	6-501-180-01	DIODE UDZW-TE17-18B			
C626	1-126-964-11	ELECT	10uF	20%	50V	D106	6-501-180-01	DIODE UDZW-TE17-18B			
C627	1-164-315-11	CERAMIC CHIP	470PF	5%	50V	D107	6-501-362-01	DIODE 1A4-TA26			
						D108	6-501-362-01	DIODE 1A4-TA26			
						D109	6-501-362-01	DIODE 1A4-TA26			
						D110	6-501-362-01	DIODE 1A4-TA26			
						D111	6-501-362-01	DIODE 1A4-TA26			
						D112	6-501-362-01	DIODE 1A4-TA26			
						D113	6-501-362-01	DIODE 1A4-TA26			
						D114	6-501-362-01	DIODE 1A4-TA26			
						D115	6-501-362-01	DIODE 1A4-TA26			
						D116	6-501-362-01	DIODE 1A4-TA26			
						D117	6-501-362-01	DIODE 1A4-TA26			

Ref. No.	Part No.	Description	Remark	Ref. No.	Part No.	Description	Remark
D118	6-501-362-01	DIODE 1A4-TA26		L351	1-414-760-21	INDUCTOR, FERRITE BEAD (AEP,UK)	
D200	6-501-170-01	DIODE UDZW-TE17-6.8B		L355	1-469-844-11	INDUCTOR 2.2uH (AEP,UK)	
D250	6-501-051-01	DIODE BAT54CLT1G		L400	1-500-245-11	INDUCTOR, FERRITE BEAD	
D252	6-501-193-01	DIODE 1SS355WTE-17		L401	1-469-876-11	INDUCTOR, FERRITE BEAD	
D300	6-501-168-01	DIODE UDZW-TE17-5.6B		L402	1-216-295-11	SHORT CHIP 0	
D450	6-501-180-01	DIODE UDZW-TE17-18B		L403	1-216-864-11	SHORT CHIP 0	
D452	6-501-180-01	DIODE UDZW-TE17-18B		L404	1-500-245-11	INDUCTOR, FERRITE BEAD	
D453	6-501-180-01	DIODE UDZW-TE17-18B		L405	1-469-876-11	INDUCTOR, FERRITE BEAD	
D454	6-501-169-01	DIODE UDZW-TE17-6.2B		L406	1-216-864-11	SHORT CHIP 0	
D455	8-719-072-70	DIODE MA2ZD14001S0		L407	1-216-864-11	SHORT CHIP 0	
D456	6-501-180-01	DIODE UDZW-TE17-18B		L408	1-469-876-11	INDUCTOR, FERRITE BEAD	
D457	6-501-051-01	DIODE BAT54CLT1G		L409	1-500-245-11	INDUCTOR, FERRITE BEAD	
D510	6-501-193-01	DIODE 1SS355WTE-17		L410	1-469-876-11	INDUCTOR, FERRITE BEAD	
D610	6-500-886-01	DIODE RSA6.1ENTR		L411	1-216-295-11	SHORT CHIP 0	
D611	6-500-886-01	DIODE RSA6.1ENTR		L620	1-457-073-11	INDUCTOR 47uH	
D612	6-500-886-01	DIODE RSA6.1ENTR		L901	1-469-844-11	INDUCTOR 2.2uH	
D613	6-501-180-01	DIODE UDZW-TE17-18B		L902	1-469-844-11	INDUCTOR 2.2uH	
D614	6-501-180-01	DIODE UDZW-TE17-18B				< TRANSISTOR >	
D616	6-501-170-01	DIODE UDZW-TE17-6.8B					
D620	8-719-053-18	DIODE 1SR154-400TE-25		Q200	6-550-683-01	FET RJK005N03-T146	
D621	8-719-053-18	DIODE 1SR154-400TE-25		Q201	6-550-752-01	TRANSISTOR DTC614TKT146	
D622	6-501-089-01	DIODE RF101L2STE25		Q202	6-550-752-01	TRANSISTOR DTC614TKT146	
D624	8-719-067-83	DIODE RB161L-40TE25		Q203	6-550-752-01	TRANSISTOR DTC614TKT146	
D625	6-501-180-01	DIODE UDZW-TE17-18B		Q204	6-550-752-01	TRANSISTOR DTC614TKT146	
D626	6-501-167-01	DIODE UDZW-TE17-5.1B					
D627	6-501-173-01	DIODE UDZW-TE17-9.1B		Q205	6-550-752-01	TRANSISTOR DTC614TKT146	
D710	6-501-013-01	DIODE BAT54ALT1G		Q250	1-801-806-11	TRANSISTOR DTC144EKA	
D711	6-501-013-01	DIODE BAT54ALT1G		Q251	8-729-027-23	TRANSISTOR DTA114EKA-T146	
D712	6-501-013-01	DIODE BAT54ALT1G		Q300	1-801-806-11	TRANSISTOR DTC144EKA (AEP,UK)	
D713	8-719-060-48	DIODE RB751V-40TE-17		Q301	6-551-431-01	TRANSISTOR 2SC6027T100-QR	
		< RESISTOR >		Q350	8-729-026-49	TRANSISTOR 2SA1037AK-T146-R (AEP,UK)	
FB301	1-216-295-11	SHORT CHIP 0		Q453	8-729-027-23	TRANSISTOR DTA114EKA-T146	
		< IC >		Q454	8-729-047-76	TRANSISTOR FMC2A-T148	
IC150	6-705-359-02	IC TDA8588AJ/N2/R1		Q455	8-729-027-43	TRANSISTOR DTC114EKA-T146	
IC350	6-803-747-01	IC TDA7333013TR (AEP,UK)		Q500	8-729-120-28	TRANSISTOR 2SC1623-L5L6	
IC401	6-707-303-01	IC TDA7419TR					
IC450	6-703-884-01	IC BA8271F-E2		Q510	8-729-120-28	TRANSISTOR 2SC1623-L5L6	
IC600	6-707-281-01	IC MM1613DNLE		Q520	8-729-120-28	TRANSISTOR 2SC1623-L5L6	
IC620	6-705-542-01	IC NJM2377M(TE2)		Q601	8-729-047-76	TRANSISTOR FMC2A-T148	
IC700	6-705-373-01	IC MM3123DPLE		Q620	6-551-131-01	FET 2SK3614-TD-E	
IC710	8-759-659-13	IC PST3428UL		Q621	8-729-027-23	TRANSISTOR DTA114EKA-T146	
IC711	6-806-151-01	IC MB90487APF-G-162E1					
		< JACK >		Q622	1-801-806-11	TRANSISTOR DTC144EKA	
J200	1-774-700-11	JACK, PIN 6P (BUS AUDIO IN, AUDIO OUT REAR/FRONT)		Q623	1-801-806-11	TRANSISTOR DTC144EKA	
J300	1-815-185-13	JACK (ANTENNA)		Q641	1-801-806-11	TRANSISTOR DTC144EKA	
J530	1-566-822-41	JACK (REMOTE IN)		Q642	8-729-027-23	TRANSISTOR DTA114EKA-T146	
		< COIL >		Q643	8-729-120-28	TRANSISTOR 2SC1623-L5L6	
L100	1-456-617-11	COIL, CHOKE		Q710	8-729-027-23	TRANSISTOR DTA114EKA-T146	
L200	1-469-844-11	INDUCTOR 2.2uH				< RESISTOR >	
L201	1-216-864-11	SHORT CHIP 0		R100	1-216-073-00	RES-CHIP 10K 5% 1/10W	
L300	1-216-295-11	SHORT CHIP 0		R101	1-249-425-11	CARBON 4.7K 5% 1/4W	
L302	1-216-295-11	SHORT CHIP 0		R102	1-249-425-11	CARBON 4.7K 5% 1/4W	
L350	1-414-760-21	INDUCTOR, FERRITE BEAD (AEP,UK)		R103	1-216-821-11	METAL CHIP 1K 5% 1/10W	
				R152	1-216-811-11	METAL CHIP 150 5% 1/10W	
				R153	1-216-841-11	METAL CHIP 47K 5% 1/10W	
				R200	1-216-809-11	METAL CHIP 100 5% 1/10W	
				R201	1-216-833-11	METAL CHIP 10K 5% 1/10W	
				R202	1-216-825-11	METAL CHIP 2.2K 5% 1/10W	
				R203	1-216-789-11	METAL CHIP 2.2 5% 1/10W	

CDX-GT50W/GT500/GT500EE/GT550

MAIN

Ref. No.	Part No.	Description	Remark	Ref. No.	Part No.	Description	Remark
R204	1-216-825-11	METAL CHIP	2.2K 5%	R356	1-216-864-11	SHORT CHIP	0 (AEP,UK)
R205	1-216-833-11	METAL CHIP	10K 5%	R357	1-216-864-11	SHORT CHIP	0 (AEP,UK)
R206	1-216-833-11	METAL CHIP	10K 5%	R358	1-216-797-11	METAL CHIP	10 5% 1/10W (AEP,UK)
R207	1-216-809-11	METAL CHIP	100 5%	R359	1-216-864-11	SHORT CHIP	0 (AEP,UK)
R208	1-216-809-11	METAL CHIP	100 5%	R400	1-216-864-11	SHORT CHIP	0
R209	1-216-809-11	METAL CHIP	100 5%	R401	1-216-801-11	METAL CHIP	22 5% 1/10W
R210	1-216-809-11	METAL CHIP	100 5%	R402	1-216-801-11	METAL CHIP	22 5% 1/10W
R214	1-216-809-11	METAL CHIP	100 5%	R403	1-216-801-11	METAL CHIP	22 5% 1/10W
R215	1-216-809-11	METAL CHIP	100 5%	R404	1-216-801-11	METAL CHIP	22 5% 1/10W
R216	1-216-809-11	METAL CHIP	100 5%	R405	1-216-801-11	METAL CHIP	22 5% 1/10W
R217	1-216-809-11	METAL CHIP	100 5%	R406	1-216-864-11	SHORT CHIP	0
R218	1-216-809-11	METAL CHIP	100 5%	R407	1-216-864-11	SHORT CHIP	0
R220	1-216-809-11	METAL CHIP	100 5%	R450	1-216-864-11	SHORT CHIP	0
R221	1-216-809-11	METAL CHIP	100 5%	R453	1-216-864-11	SHORT CHIP	0
R222	1-216-809-11	METAL CHIP	100 5%	R455	1-216-864-11	SHORT CHIP	0
R223	1-216-809-11	METAL CHIP	100 5%	R456	1-216-829-11	METAL CHIP	4.7K 5% 1/10W
R224	1-216-809-11	METAL CHIP	100 5%	R457	1-216-821-11	METAL CHIP	1K 5% 1/10W
R225	1-216-833-11	METAL CHIP	10K 5%	R458	1-216-821-11	METAL CHIP	1K 5% 1/10W
R226	1-216-833-11	METAL CHIP	10K 5%	R459	1-216-835-11	METAL CHIP	15K 5% 1/10W
R227	1-216-833-11	METAL CHIP	10K 5%	R461	1-216-821-11	METAL CHIP	1K 5% 1/10W
R228	1-216-833-11	METAL CHIP	10K 5%	R500	1-216-841-11	METAL CHIP	47K 5% 1/10W
R229	1-216-833-11	METAL CHIP	10K 5%	R501	1-216-841-11	METAL CHIP	47K 5% 1/10W
R230	1-216-864-11	SHORT CHIP	0	R502	1-216-829-11	METAL CHIP	4.7K 5% 1/10W
R231	1-216-864-11	SHORT CHIP	0	R510	1-216-845-11	METAL CHIP	100K 5% 1/10W
R232	1-216-864-11	SHORT CHIP	0	R511	1-216-837-11	METAL CHIP	22K 5% 1/10W
R233	1-216-864-11	SHORT CHIP	0	R520	1-216-841-11	METAL CHIP	47K 5% 1/10W
R245	1-216-833-11	METAL CHIP	10K 5%	R521	1-216-833-11	METAL CHIP	10K 5% 1/10W
R246	1-216-833-11	METAL CHIP	10K 5%	R522	1-216-833-11	METAL CHIP	10K 5% 1/10W
R251	1-216-805-11	METAL CHIP	47 5%	R530	1-216-809-11	METAL CHIP	100 5% 1/10W
R255	1-216-833-11	METAL CHIP	10K 5%	R531	1-216-809-11	METAL CHIP	100 5% 1/10W
R256	1-216-833-11	METAL CHIP	10K 5%	R532	1-216-864-11	SHORT CHIP	0
R262	1-216-864-11	SHORT CHIP	0	R605	1-216-029-00	RES-CHIP	150 5% 1/10W
R300	1-216-843-11	METAL CHIP	68K 5%	R606	1-216-029-00	RES-CHIP	150 5% 1/10W
R301	1-216-839-11	METAL CHIP	33K 5%	R607	1-216-029-00	RES-CHIP	150 5% 1/10W
R302	1-216-809-11	METAL CHIP	100 5%	R610	1-216-809-11	METAL CHIP	100 5% 1/10W
R303	1-216-843-11	METAL CHIP	68K 5%	R611	1-216-809-11	METAL CHIP	100 5% 1/10W
R304	1-216-839-11	METAL CHIP	33K 5%	R612	1-216-809-11	METAL CHIP	100 5% 1/10W
R305	1-216-843-11	METAL CHIP	68K 5%	R613	1-216-809-11	METAL CHIP	100 5% 1/10W
R306	1-216-839-11	METAL CHIP	33K 5%	R614	1-216-809-11	METAL CHIP	100 5% 1/10W
R307	1-414-760-21	INDUCTOR, FERRITE BEAD	(AEP,UK)	R615	1-216-809-11	METAL CHIP	100 5% 1/10W
R308	1-414-760-21	INDUCTOR, FERRITE BEAD		R616	1-216-809-11	METAL CHIP	100 5% 1/10W
R309	1-414-760-21	INDUCTOR, FERRITE BEAD		R617	1-216-809-11	METAL CHIP	100 5% 1/10W
R310	1-414-760-21	INDUCTOR, FERRITE BEAD		R618	1-216-809-11	METAL CHIP	100 5% 1/10W
R311	1-216-821-11	METAL CHIP	1K 5%	R619	1-216-841-11	METAL CHIP	47K 5% 1/10W
R350	1-216-821-11	METAL CHIP	1K 5%	R620	1-216-841-11	METAL CHIP	47K 5% 1/10W
R351	1-216-833-11	METAL CHIP	10K 5%	R621	1-216-841-11	METAL CHIP	47K 5% 1/10W
R352	1-216-797-11	METAL CHIP	10 5%	R622	1-218-863-11	METAL CHIP	4.7K 0.5% 1/10W
R353	1-216-797-11	METAL CHIP	10 5%	R623	1-218-895-11	METAL CHIP	100K 0.5% 1/10W
R354	1-216-845-11	METAL CHIP	100K 5%	R624	1-218-847-11	METAL CHIP	1K 0.5% 1/10W
R355	1-216-801-11	METAL CHIP	22 5%	R625	1-216-805-11	METAL CHIP	47 5% 1/10W
			(AEP,UK)	R626	1-216-841-11	METAL CHIP	47K 5% 1/10W
			(AEP,UK)	R627	1-216-846-11	METAL CHIP	120K 5% 1/10W
			(AEP,UK)	R628	1-216-841-11	METAL CHIP	47K 5% 1/10W
			(AEP,UK)	R629	1-216-833-11	METAL CHIP	10K 5% 1/10W
			(AEP,UK)	R630	1-216-837-11	METAL CHIP	22K 5% 1/10W
			(AEP,UK)	R631	1-216-821-11	METAL CHIP	1K 5% 1/10W
			(AEP,UK)	R632	1-216-823-11	METAL CHIP	1.5K 5% 1/10W

Ref. No.	Part No.	Description	Remark	Ref. No.	Part No.	Description	Remark
R633	1-216-821-11	METAL CHIP	1K 5% 1/10W	R749	1-216-809-11	METAL CHIP	100 5% 1/10W
R634	1-216-848-11	METAL CHIP	180K 5% 1/10W	R750	1-216-809-11	METAL CHIP	100 5% 1/10W
R635	1-216-864-11	SHORT CHIP	0	R751	1-216-845-11	METAL CHIP	100K 5% 1/10W
R636	1-216-839-11	METAL CHIP	33K 5% 1/10W	R752	1-216-845-11	METAL CHIP	100K 5% 1/10W
R637	1-216-809-11	METAL CHIP	100 5% 1/10W	R753	1-216-841-11	METAL CHIP	47K 5% 1/10W
R638	1-216-864-11	SHORT CHIP	0	R754	1-216-841-11	METAL CHIP	47K 5% 1/10W
R639	1-216-134-00	RES-CHIP	2.2 5% 1/8W	R755	1-216-809-11	METAL CHIP	100 5% 1/10W
R642	1-216-174-00	RES-CHIP	100 5% 1/8W	R757	1-216-809-11	METAL CHIP	100 5% 1/10W
R643	1-216-864-11	SHORT CHIP	0	R758	1-216-845-11	METAL CHIP	100K 5% 1/10W
R644	1-216-801-11	METAL CHIP	22 5% 1/10W	R759	1-216-809-11	METAL CHIP	100 5% 1/10W
R645	1-216-134-00	RES-CHIP	2.2 5% 1/8W	R760	1-216-841-11	METAL CHIP	47K 5% 1/10W
R648	1-216-813-11	METAL CHIP	220 5% 1/10W	R761	1-216-845-11	METAL CHIP	100K 5% 1/10W
R650	1-216-295-11	SHORT CHIP	0	R762	1-216-845-11	METAL CHIP	100K 5% 1/10W
R651	1-216-134-00	RES-CHIP	2.2 5% 1/8W	R763	1-216-813-11	METAL CHIP	220 5% 1/10W
R652	1-216-821-11	METAL CHIP	1K 5% 1/10W	R764	1-216-813-11	METAL CHIP	220 5% 1/10W
R653	1-216-864-11	SHORT CHIP	0	R765	1-216-809-11	METAL CHIP	100 5% 1/10W
R654	1-216-174-00	RES-CHIP	100 5% 1/8W	R766	1-216-809-11	METAL CHIP	100 5% 1/10W
R655	1-216-174-00	RES-CHIP	100 5% 1/8W	R767	1-216-809-11	METAL CHIP	100 5% 1/10W
R711	1-216-849-11	METAL CHIP	220K 5% 1/10W	R768	1-216-845-11	METAL CHIP	100K 5% 1/10W
R712	1-216-849-11	METAL CHIP	220K 5% 1/10W	R769	1-216-825-11	METAL CHIP	2.2K 5% 1/10W
R713	1-216-845-11	METAL CHIP	100K 5% 1/10W	R770	1-216-825-11	METAL CHIP	2.2K 5% 1/10W
R715	1-216-845-11	METAL CHIP	100K 5% 1/10W	R771	1-218-871-11	METAL CHIP	10K 0.5% 1/10W
R716	1-216-845-11	METAL CHIP	100K 5% 1/10W	R772	1-218-871-11	METAL CHIP	10K 0.5% 1/10W
R717	1-216-845-11	METAL CHIP	100K 5% 1/10W	R774	1-216-809-11	METAL CHIP	100 5% 1/10W
R718	1-216-809-11	METAL CHIP	100 5% 1/10W	R775	1-218-871-11	METAL CHIP	10K 0.5% 1/10W
R719	1-216-845-11	METAL CHIP	100K 5% 1/10W	R780	1-216-809-11	METAL CHIP	100 5% 1/10W
R720	1-216-845-11	METAL CHIP	100K 5% 1/10W	R781	1-216-801-11	METAL CHIP	22 5% 1/10W
R721	1-216-845-11	METAL CHIP	100K 5% 1/10W	R782	1-216-801-11	METAL CHIP	22 5% 1/10W
R722	1-216-845-11	METAL CHIP	100K 5% 1/10W	R784	1-216-845-11	METAL CHIP	100K 5% 1/10W
R723	1-216-845-11	METAL CHIP	100K 5% 1/10W	R785	1-216-845-11	METAL CHIP	100K 5% 1/10W
R724	1-216-845-11	METAL CHIP	100K 5% 1/10W	S600	1-786-458-11	SWITCH, PUSH (1 KEY) (NOSE DET)	
R725	1-216-845-11	METAL CHIP	100K 5% 1/10W	S700	1-692-431-21	SWITCH, TACTILE (RESET)	
R726	1-216-845-11	METAL CHIP	100K 5% 1/10W	S710	1-571-478-11	SWITCH, SLIDE (FREQUENCY SELECT) (GT550)	
R727	1-216-845-11	METAL CHIP	100K 5% 1/10W			< SWITCH >	
R728	1-216-833-11	METAL CHIP	10K 5% 1/10W			< TRANSFORMER >	
R729	1-216-845-11	METAL CHIP	100K 5% 1/10W	T620	1-443-879-11	TRANSFORMER, DC-DC CONVERTER	
R730	1-216-845-11	METAL CHIP	100K 5% 1/10W			< THERMISTOR (POSITIVE) >	
R731	1-216-845-11	METAL CHIP	100K 5% 1/10W	TH450	1-801-792-21	THERMISTOR, POSITIVE	
R732	1-216-809-11	METAL CHIP	100 5% 1/10W			< TUNER UNIT >	
R733	1-216-845-11	METAL CHIP	100K 5% 1/10W	TU300	A-3220-961-B	TUNER UNIT (TUX-032)	
R734	1-216-809-11	METAL CHIP	100 5% 1/10W			< VIBRATOR >	
R735	1-216-845-11	METAL CHIP	100K 5% 1/10W	X350	1-813-173-11	VIBRATOR, CRYSTAL (8.664MHz) (AEP,UK)	
R736	1-216-809-11	METAL CHIP	100 5% 1/10W	X710	1-813-524-21	VIBRATOR, CERAMIC (18.432MHz)	
R737	1-216-845-11	METAL CHIP	100K 5% 1/10W	X711	1-813-202-11	VIBRATOR, CRYSTAL (32.768kHz)	
R738	1-216-845-11	METAL CHIP	100K 5% 1/10W			*****	
R742	1-216-845-11	METAL CHIP	100K 5% 1/10W				
R743	1-216-809-11	METAL CHIP	100 5% 1/10W				
R745	1-216-845-11	METAL CHIP	100K 5% 1/10W				
R746	1-216-841-11	METAL CHIP	47K 5% 1/10W				
R747	1-216-841-11	METAL CHIP	47K 5% 1/10W				
R748	1-216-845-11	METAL CHIP	100K 5% 1/10W				

CDX-GT50W/GT500/GT500EE/GT550

SENSOR **SERVO**

Ref. No.	Part No.	Description	Remark
		SENSOR BOARD *****	
		< SWITCH >	
SW2	1-529-566-61	SWITCH, PUSH (1 KEY) (SELF)	
SW3	1-529-566-61	SWITCH, PUSH (1 KEY) (DISC IN)	

	A-1132-412-A	SERVO BOARD, COMPLETE *****	
		< CAPACITOR >	
C7	1-125-777-11	CERAMIC CHIP 0.1uF	10% 10V
C10	1-126-208-21	ELECT CHIP 47uF	20% 4V
C11	1-125-777-11	CERAMIC CHIP 0.1uF	10% 10V
C12	1-125-777-11	CERAMIC CHIP 0.1uF	10% 10V
C13	1-100-567-81	CERAMIC CHIP 0.01uF	10% 25V
C14	1-104-609-11	ELECT CHIP 100uF	20% 4V
C15	1-125-777-11	CERAMIC CHIP 0.1uF	10% 10V
C16	1-162-964-11	CERAMIC CHIP 0.001uF	10% 50V
C17	1-125-777-11	CERAMIC CHIP 0.1uF	10% 10V
C18	1-125-777-11	CERAMIC CHIP 0.1uF	10% 10V
C19	1-125-777-11	CERAMIC CHIP 0.1uF	10% 10V
C20	1-164-677-11	CERAMIC CHIP 0.033uF	10% 16V
C22	1-164-677-11	CERAMIC CHIP 0.033uF	10% 16V
C23	1-125-777-11	CERAMIC CHIP 0.1uF	10% 10V
C24	1-125-777-11	CERAMIC CHIP 0.1uF	10% 10V
C25	1-125-777-11	CERAMIC CHIP 0.1uF	10% 10V
C26	1-162-966-11	CERAMIC CHIP 0.0022uF	10% 50V
C29	1-162-968-11	CERAMIC CHIP 0.0047uF	10% 50V
C30	1-162-968-11	CERAMIC CHIP 0.0047uF	10% 50V
C31	1-125-777-11	CERAMIC CHIP 0.1uF	10% 10V
C32	1-125-777-11	CERAMIC CHIP 0.1uF	10% 10V
C33	1-125-777-11	CERAMIC CHIP 0.1uF	10% 10V
C36	1-125-777-11	CERAMIC CHIP 0.1uF	10% 10V
C39	1-126-208-21	ELECT CHIP 47uF	20% 4V
C40	1-126-395-11	ELECT CHIP 22uF	20% 16V
C41	1-125-777-11	CERAMIC CHIP 0.1uF	10% 10V
C42	1-125-777-11	CERAMIC CHIP 0.1uF	10% 10V
C43	1-100-567-81	CERAMIC CHIP 0.01uF	10% 25V
C44	1-125-777-11	CERAMIC CHIP 0.1uF	10% 10V
C45	1-125-777-11	CERAMIC CHIP 0.1uF	10% 10V
C46	1-162-923-11	CERAMIC CHIP 47PF	5% 50V
C47	1-164-245-11	CERAMIC CHIP 0.015uF	10% 25V
C48	1-100-567-81	CERAMIC CHIP 0.01uF	10% 25V
C49	1-125-777-11	CERAMIC CHIP 0.1uF	10% 10V
C50	1-100-567-81	CERAMIC CHIP 0.01uF	10% 25V
C51	1-125-777-11	CERAMIC CHIP 0.1uF	10% 10V
C52	1-125-777-11	CERAMIC CHIP 0.1uF	10% 10V
C53	1-125-777-11	CERAMIC CHIP 0.1uF	10% 10V
C54	1-100-567-81	CERAMIC CHIP 0.01uF	10% 25V
C55	1-125-777-11	CERAMIC CHIP 0.1uF	10% 10V
C56	1-164-245-11	CERAMIC CHIP 0.015uF	10% 25V
C58	1-125-777-11	CERAMIC CHIP 0.1uF	10% 10V
C60	1-162-964-11	CERAMIC CHIP 0.001uF	10% 50V
C62	1-125-777-11	CERAMIC CHIP 0.1uF	10% 10V
C66	1-100-567-81	CERAMIC CHIP 0.01uF	10% 25V
C67	1-100-567-81	CERAMIC CHIP 0.01uF	10% 25V

Ref. No.	Part No.	Description	Remark
C68	1-100-567-81	CERAMIC CHIP 0.01uF	10% 25V
C69	1-100-567-81	CERAMIC CHIP 0.01uF	10% 25V
C70	1-125-777-11	CERAMIC CHIP 0.1uF	10% 10V
C71	1-125-777-11	CERAMIC CHIP 0.1uF	10% 10V
C72	1-125-777-11	CERAMIC CHIP 0.1uF	10% 10V
C80	1-125-837-11	CERAMIC CHIP 1uF	10% 6.3V
C132	1-125-837-11	CERAMIC CHIP 1uF	10% 6.3V
C133	1-125-837-11	CERAMIC CHIP 1uF	10% 6.3V
		< CONNECTOR >	
CN1	1-691-380-61	CONNECTOR, FFC/FPC (ZIF) 16P	
CN2	1-817-275-21	CONNECTOR, BOARD TO BOARD 28P	
		< JUMPER RESISTOR >	
FB2	1-216-864-11	SHORT CHIP 0	
FB3	1-216-864-11	SHORT CHIP 0	
FB4	1-216-864-11	SHORT CHIP 0	
		< IC >	
IC1	6-707-327-01	IC BA5968FP-E2	
IC2	6-708-729-01	IC TC94A70FG-002	
IC3	6-806-019-02	IC MB90486BPFV-G-177E1	
IC6	6-708-728-01	IC BH15LB1WG	
		< TRANSISTOR >	
Q2	6-551-120-01	TRANSISTOR 2SA2119K	
Q3	8-729-928-90	TRANSISTOR DTC114EE	
Q21	8-729-904-87	TRANSISTOR 2SB1197K-R	
		< RESISTOR >	
R1	1-218-965-11	RES-CHIP 10K	5% 1/16W
R2	1-218-977-11	RES-CHIP 100K	5% 1/16W
R5	1-218-969-11	RES-CHIP 22K	5% 1/16W
R6	1-218-969-11	RES-CHIP 22K	5% 1/16W
R7	1-218-990-81	SHORT CHIP 0	
R8	1-218-965-11	RES-CHIP 10K	5% 1/16W
R9	1-218-965-11	RES-CHIP 10K	5% 1/16W
R10	1-218-990-81	SHORT CHIP 0	
R11	1-218-941-81	RES-CHIP 100	5% 1/16W
R12	1-218-969-11	RES-CHIP 22K	5% 1/16W
R13	1-218-969-11	RES-CHIP 22K	5% 1/16W
R14	1-218-929-11	RES-CHIP 10	5% 1/16W
R15	1-218-929-11	RES-CHIP 10	5% 1/16W
R16	1-218-953-11	RES-CHIP 1K	5% 1/16W
R17	1-218-990-81	SHORT CHIP 0	
R18	1-218-941-81	RES-CHIP 100	5% 1/16W
R19	1-218-935-11	RES-CHIP 33	5% 1/16W
R20	1-162-961-11	CERAMIC CHIP 330PF	10% 50V
R21	1-218-941-81	RES-CHIP 100	5% 1/16W
R22	1-218-977-11	RES-CHIP 100K	5% 1/16W
R23	1-218-977-11	RES-CHIP 100K	5% 1/16W
R24	1-218-977-11	RES-CHIP 100K	5% 1/16W
R25	1-218-977-11	RES-CHIP 100K	5% 1/16W
R26	1-218-977-11	RES-CHIP 100K	5% 1/16W
R27	1-218-977-11	RES-CHIP 100K	5% 1/16W
R28	1-218-945-11	RES-CHIP 220	5% 1/16W
R29	1-218-989-11	RES-CHIP 1M	5% 1/16W
R30	1-218-989-11	RES-CHIP 1M	5% 1/16W

Ref. No.	Part No.	Description	Remark	Ref. No.	Part No.	Description	Remark	
R31	1-218-989-11	RES-CHIP	1M 5%			< VIBRATOR >		
R32	1-218-947-11	RES-CHIP	330 5%					
R33	1-218-990-81	SHORT CHIP	0	X1	1-813-678-11	OSCILLATOR, CERAMIC (CHIP TYPE) (12MHz)		
R34	1-216-864-11	SHORT CHIP	0	X2	1-795-561-21	VIBRATOR, CERAMIC (16.9344MHz)		
R35	1-162-961-11	CERAMIC CHIP	330PF 10%	*****				
R36	1-218-947-11	RES-CHIP	330 5%		A-1156-589-A	SUB BOARD, COMPLETE (GT500/GT550)		
R37	1-218-947-11	RES-CHIP	330 5%		A-1158-907-A	SUB BOARD, COMPLETE (GT50W/GT500EE)		
R38	1-218-941-81	RES-CHIP	100 5%		*****			
R39	1-218-941-81	RES-CHIP	100 5%		1-831-502-11	CABLE, FLEXIBLE FLAT (22 CORE) (FFC801)		
R40	1-218-941-81	RES-CHIP	100 5%		< CONNECTOR >			
R41	1-218-941-81	RES-CHIP	100 5%					
R42	1-218-977-11	RES-CHIP	100K 5%					
R43	1-218-961-11	RES-CHIP	4.7K 5%	CN801	1-818-142-11	SOCKET, CONNECTOR 20P		
R44	1-218-977-11	RES-CHIP	100K 5%		< DIODE >			
R52	1-218-962-11	RES-CHIP	5.6K 5%					
R53	1-218-979-11	RES-CHIP	150K 5%	LED802	6-500-450-01	LED CL-195SR-CD-T (▲) (GT500/GT550)		
R54	1-218-990-81	SHORT CHIP	0	LED802	6-500-510-01	LED CL-195PG-CD-T (▲) (GT50W/GT500EE)		
R55	1-218-973-11	RES-CHIP	47K 5%	LED803	6-500-450-01	LED CL-195SR-CD-T (CD SLOT)		
R57	1-218-967-11	RES-CHIP	15K 5%			(GT500/GT550)		
R58	1-218-969-11	RES-CHIP	22K 5%	LED803	6-500-510-01	LED CL-195PG-CD-T (CD SLOT)		
R60	1-218-941-81	RES-CHIP	100 5%			(GT50W/GT500EE)		
R61	1-218-941-81	RES-CHIP	100 5%		< RESISTOR >			
R62	1-218-941-81	RES-CHIP	100 5%					
R63	1-218-977-11	RES-CHIP	100K 5%	R802	1-216-813-11	METAL CHIP 220 5%	1/10W	
R64	1-218-977-11	RES-CHIP	100K 5%	R803	1-216-817-11	METAL CHIP 470 5%	1/10W	
R65	1-218-977-11	RES-CHIP	100K 5%		< SWITCH >			
R67	1-218-941-81	RES-CHIP	100 5%					
R68	1-218-941-81	RES-CHIP	100 5%	S801	1-786-653-21	SWITCH, TACTILE (▲)		
R69	1-218-941-81	RES-CHIP	100 5%	*****				
R70	1-218-965-11	RES-CHIP	10K 5%		MISCELLANEOUS			
R71	1-218-973-11	RES-CHIP	47K 5%		*****			
R72	1-218-973-11	RES-CHIP	47K 5%	13	1-776-207-72	CORD (WITH CONNECTOR) (POWER)		
R73	1-218-973-11	RES-CHIP	47K 5%			(EXCEPT AEP,UK,EE)		
R74	1-218-941-81	RES-CHIP	100 5%	13	1-776-527-71	CORD (WITH CONNECTOR) (ISO) (POWER)		
R75	1-218-941-81	RES-CHIP	100 5%			(AEP,UK,EE)		
R77	1-218-973-11	RES-CHIP	47K 5%	14	1-790-355-54	CORD (WITH CONNECTOR) (RCA)		
R78	1-218-941-81	RES-CHIP	100 5%			(SUB OUT (MONO))		
R79	1-218-941-81	RES-CHIP	100 5%	△ 153	8-820-207-12	OPTICAL PICK-UP (KSS1000E/K1RP)		
R80	1-218-941-81	RES-CHIP	100 5%	154	A-1075-645-A	CHASSIS (OP) SUB ASSY (including M901)		
R81	1-218-941-81	RES-CHIP	100 5%					
R82	1-218-941-81	RES-CHIP	100 5%	F901	1-532-877-11	FUSE (BLADE TYPE) (AUTO FUSE) 10A		
R83	1-218-977-11	RES-CHIP	100K 5%	M902	A-3372-447-A	MOTOR ASSY, SL (SLED)		
R84	1-218-941-81	RES-CHIP	100 5%	M903	A-1166-300-A	MOTOR ASSY (B), LE (LOADING)		
R85	1-218-977-11	RES-CHIP	100K 5%	SW4	1-571-099-11	SWITCH (1 KEY) (LIMIT)		
R86	1-218-941-81	RES-CHIP	100 5%	*****				
R87	1-218-977-11	RES-CHIP	100K 5%					
R96	1-218-941-81	RES-CHIP	100 5%					
R97	1-220-200-81	RES-CHIP	30K 5%					
R98	1-218-971-11	RES-CHIP	33K 5%					
R132	1-218-969-11	RES-CHIP	22K 5%					
R133	1-218-953-11	RES-CHIP	1K 5%					
R141	1-216-864-11	SHORT CHIP	0					
R144	1-216-864-11	SHORT CHIP	0					
R147	1-216-864-11	SHORT CHIP	0					
		< SWITCH >						
SW1	1-529-565-61	SWITCH, PUSH (1 KEY) (DOWN)						

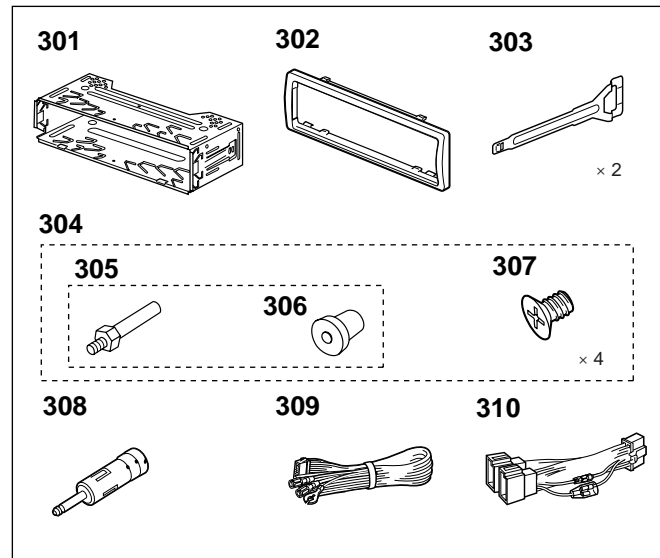
CDX-GT50W/GT500/GT500EE/GT550

Ref. No.	Part No.	Description	Remark
		ACCESSORIES	

	1-479-077-13	REMOTE COMMANDER (RM-X151)	
	2-548-729-01	LID, BATTERY CASE (for RM-X151)	
	2-663-186-11	MANUAL, INSTRUCTION (ENGLISH,FRENCH) (GT500:US,CND)	
	2-663-186-21	MANUAL, INSTRUCTION (ENGLISH,SPANISH) (GT50W)	
	2-663-186-31	MANUAL, INSTRUCTION (ENGLISH,GERMAN, FRENCH,ITALIAN,DUTCH) (AEP,UK)	
	2-663-186-41	MANUAL, INSTRUCTION (ENGLISH,RUSSIAN) (GT500EE)	
	2-663-186-51	MANUAL, INSTRUCTION (ENGLISH,SPANISH, SIMPLIFIED CHINESE) (GT550)	
	2-663-188-11	MANUAL, INSTRUCTION, INSTALL (ENGLISH, FRENCH) (GT500:US,CND)	
	2-663-188-21	MANUAL, INSTRUCTION, INSTALL (ENGLISH, SPANISH) (GT50W)	
	2-663-188-31	MANUAL, INSTRUCTION, INSTALL (ENGLISH, GERMAN,FRENCH,ITALIAN,DUTCH) (AEP,UK)	
	2-663-188-41	MANUAL, INSTRUCTION, INSTALL (ENGLISH, RUSSIAN) (GT500EE)	
	2-663-188-51	MANUAL, INSTRUCTION, INSTALL (ENGLISH, SPANISH,SIMPLIFIED CHINESE) (GT550)	
	X-2055-358-1	CASE ASSY (for FRONT PANEL) (EXCEPT US)	

Ref. No.	Part No.	Description	Remark
		PARTS FOR INSTALLATION AND CONNECTIONS	

301	X-3382-647-1	FRAME ASSY, FITTING	
302	2-638-099-01	COLLAR	
303	3-246-471-01	KEY (FRAME)	
304	X-3381-154-1	SCREW ASSY (BS4), FITTING (GT500EE/GT550)	
305	X-3382-926-1	SCREW ASSY (BS), FITTING (AEP,UK)	
306	3-349-410-11	BUSHING (EXCEPT US,CND)	
307	3-934-325-01	SCREW, +K (5X8) TAPPING (EXCEPT AEP,UK)	
308	1-465-459-31	ADAPTOR, ANTENNA (AEP,UK,EE)	
309	1-776-207-72	CORD (WITH CONNECTOR) (POWER) (EXCEPT AEP,UK,EE)	
310	1-776-527-71	CORD (WITH CONNECTOR) (ISO) (POWER) (AEP,UK,EE)	



MEMO

