

Compal Confidential

G470/G570 DIS+UMA+Muxless M/B Schematics Document

Intel Sandy Bridge Processor with DDRIII + Cougar Point PCH
ATI Robson/PX3.0,PX4.0

2010-10-22

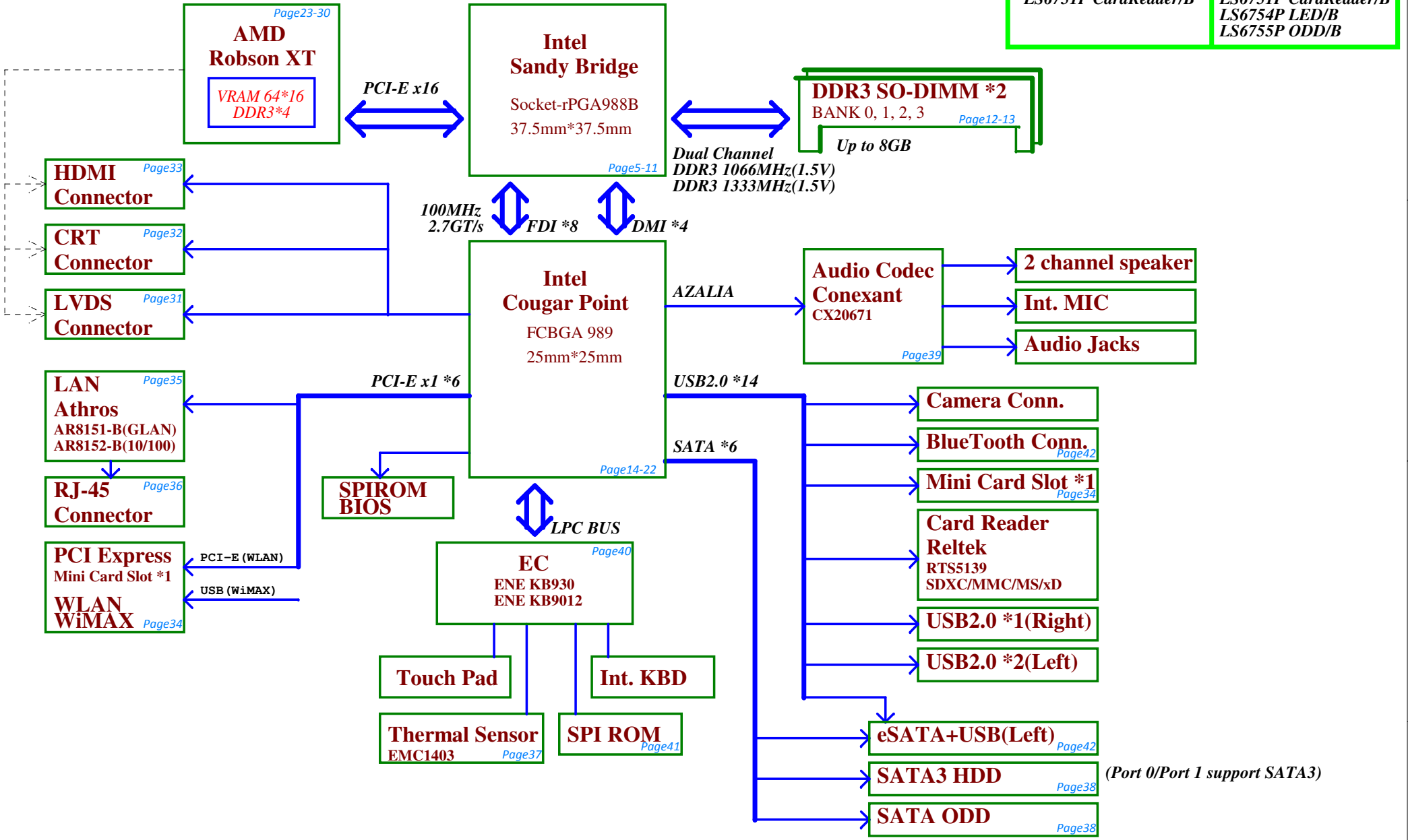
LA-6751P / LA-6753P

REV: 0.3

Security Classification	Compal Secret Data			Compal Electronics, Inc.		
Issued Date	2010/07/12	Deciphered Date	2012/07/11	Title Cover Page		
<small>THIS SHEET OF ENGINEERING DRAWING IS THE PROPRIETARY PROPERTY OF COMPAL ELECTRONICS, INC. AND CONTAINS CONFIDENTIAL AND TRADE SECRET INFORMATION. THIS SHEET MAY NOT BE TRANSFERRED FROM THE CUSTODY OF THE COMPETENT DIVISION OF R&D DEPARTMENT EXCEPT AS AUTHORIZED BY COMPAL ELECTRONICS, INC. NEITHER THIS SHEET NOR THE INFORMATION IT CONTAINS MAY BE USED BY OR DISCLOSED TO ANY THIRD PARTY WITHOUT PRIOR WRITTEN CONSENT OF COMPAL ELECTRONICS, INC.</small>				Size	Document Number	Rev
				Custom	LA-6751P	0.2
				Date:	Friday, November 26, 2010	Sheet 1 of 59

For 14"(Page 4x)
LS6753P PWR/B
LS6751P CardReader/B

For 15"(Page 4x+1)
LS6753P PWR/B
LS6751P CardReader/B
LS6754P LED/B
LS6755P ODD/B



Security Classification		Compal Secret Data		Compal Electronics, Inc.	
Issued Date	2010/07/12	Deciphered Date	2012/07/11	Title	
THIS SHEET OF ENGINEERING DRAWING IS THE PROPRIETARY PROPERTY OF COMPAL ELECTRONICS, INC. AND CONTAINS CONFIDENTIAL AND TRADE SECRET INFORMATION. THIS SHEET MAY NOT BE TRANSFERRED FROM THE CUSTODY OF THE COMPETENT DIVISION OF R&D DEPARTMENT EXCEPT AS AUTHORIZED BY COMPAL ELECTRONICS, INC. NEITHER THIS SHEET NOR THE INFORMATION IT CONTAINS MAY BE USED BY OR DISCLOSED TO ANY THIRD PARTY WITHOUT PRIOR WRITTEN CONSENT OF COMPAL ELECTRONICS, INC.				Block Diagram	
Size	Document Number	Rev			
Custom	LA-6751P	0.2			
Date:	Friday, November 26, 2010	Sheet	2	of	59

Voltage Rails

power plane	+B	+5VALW	+1.5V	+3VS +1.5VS +VCCP +CPU_CORE +VGA_CORE +GFX_CORE +1.8VS +0.75VS +1.05VS
S0	○	○	○	○
S3	○	○	○	✗
S5 S4/AC	○	○	✗	✗
S5 S4/ Battery only	○	✗	✗	✗
S5 S4/AC & Battery don't exist	✗	✗	✗	✗

EC SM Bus1 address EC SM Bus2 address

Device	Address	Device	Address
Smart Battery	0001 011X b	Thermal Sensor EMC1403-2	1001_101xb
		Thermal Sensor EMC1402-1	100_1100 b

PCH SM Bus address

Device	Address
DDR DIMM0	1001 000Xb
DDR DIMM2	1001 010Xb

SMBUS Control Table

	SOURCE	VGA	BATT	KE930	SODIMM	WLAN WWAN	Thermal Sensor	PCH
SMB_EC_CK1	KB930	✗	✓	✗	✗	✗	✗	✗
SMB_EC_DA1	+3VALW		+3VALW					
SMB_EC_CK2	KB930	✗	✗	✗	✗	✗	✗	✓
SMB_EC_DA2	+3VALW							+3VS
SMBCLK	PCH	✗	✗	✗	✓	✓	✗	✗
SMBDATA	+3VALW				+3VS	+3VS		
SML0CLK	PCH	✗	✗	✗	✗	✗	✗	✗
SML0DATA	+3VALW							
SML1CLK	PCH	✓	✗	✓	✗	✗	✓	✗
SML1DATA	+3VALW	+3VS		+3VS			+3VS	

STATE	SIGNAL	SLP_S1#	SLP_S3#	SLP_S4#	SLP_S5#	+VALW	+V	+VS	Clock
Full ON		HIGH	HIGH	HIGH	HIGH	ON	ON	ON	ON
S1 (Power On Suspend)		LOW	HIGH	HIGH	HIGH	ON	ON	ON	LOW
S3 (Suspend to RAM)		LOW	LOW	HIGH	HIGH	ON	ON	OFF	OFF
S4 (Suspend to Disk)		LOW	LOW	LOW	HIGH	ON	OFF	OFF	OFF
S5 (Soft OFF)		LOW	LOW	LOW	LOW	ON	OFF	OFF	OFF

BOARD ID Table

Board ID	PCB Revision
0	0.1
1	
2	
3	
4	
5	
6	
7	

Board ID / SKU ID Table for AD channel

Vcc	3.3V +/- 5%				
Ra/Rc/Re	100K +/- 5%				
Board ID	Rb / Rd / Rf	VAD_BID min	VAD_BID typ	VAD_BID max	EVT
0	0	0 V	0 V	0 V	EVT
1	8.2K +/- 5%	0.216 V	0.250 V	0.289 V	DVT
2	18K +/- 5%	0.436 V	0.503 V	0.538 V	PVT
3	33K +/- 5%	0.712 V	0.819 V	0.875 V	MP
4	56K +/- 5%	1.036 V	1.185 V	1.264 V	
5	100K +/- 5%	1.453 V	1.650 V	1.759 V	
6	200K +/- 5%	1.935 V	2.200 V	2.341 V	
7	NC	2.500 V	3.300 V	3.300 V	

USB Port Table

USB 2.0	USB 1.1	Port	3 External USB Port
EHCI1	UHCI0	0	USB/B (Right Side)
		1	USB Port (Left Side)
		2	USB Port (Left Side)
	UHCI1	3	USB Port (Left Side)
		4	
	UHCI2	5	Camera
		6	
EHCI2	UHCI3	7	
		8	Mini Card(WLAN)
	UHCI4	9	
		10	
	UHCI5	11	Card Reader
		12	
		13	Blue Tooth

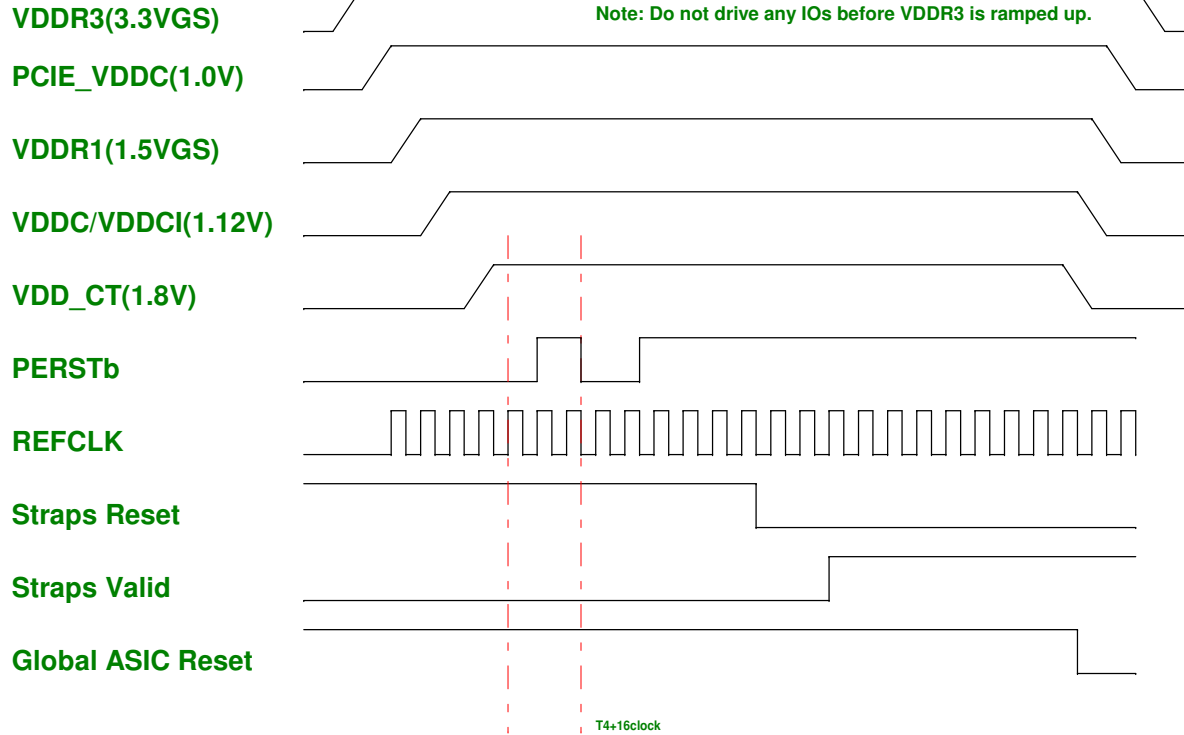
BOM Structure Table

BTO Item	BOM Structure
UMA and PX bus	PX@
Discrete Only	DIS@
PX3.0 only, not for BACO	PX3@
BACO	BACO@
COMMON HDMI	HDMI@
UMA HDMI	UMA_HDMI@
Discrete HDMI	VGA_HDMI@
eSATA	ESATA@
Blue Tooth	BT@
Connector	ME@
45 LEVEL	45@
10/100 LAN	8152@
GIGA LAN	GIGA@
Camera	CMOS@
Unpop	@

Security Classification	Compal Secret Data		Title	
Issued Date	2010/07/12	Deciphered Date	2012/07/11	Notes List
<small>THIS SHEET OF ENGINEERING DRAWING IS THE PROPRIETARY PROPERTY OF COMPAL ELECTRONICS, INC. AND CONTAINS CONFIDENTIAL AND TRADE SECRET INFORMATION. THIS SHEET MAY NOT BE TRANSFERRED FROM THE CUSTODY OF THE COMPETENT DIVISION OF R&D DEPARTMENT EXCEPT AS AUTHORIZED BY COMPAL ELECTRONICS, INC. NEITHER THIS SHEET NOR THE INFORMATION IT CONTAINS MAY BE USED BY OR DISCLOSED TO ANY THIRD PARTY WITHOUT PRIOR WRITTEN CONSENT OF COMPAL ELECTRONICS, INC.</small>				Date: Friday, November 26, 2010 Sheet 3 of 59
Size B	Document Number	Rev		
	LA-6751P	0.2		

Power-Up/Down Sequence

- All the ASIC supplies must fully reach their respective nominal voltages within 20 ms of the start of the ramp-up sequence, though a shorter ramp-up duration is preferred.
- VDDR3 should ramp-up before or simultaneously with VDDC.
- For LVDS, DPx_VDD10 should ramp-up before DPx_VDD18 and the PCIe Reference clock should begin before DPx_VDD18. For power-down, DPx_VDD18 should ramp-down before DPx_VDD10.
- The external pull-ups on the DDC/AUX signals (if applicable) should ramp-up before or after both VDDC and VDD_CT have ramped up.
- VDDC and VDD_CT should not ramp-up simultaneously. (e.g., VDDC should reach 90% before VDD_CT starts to ramp-up (or vice versa).)



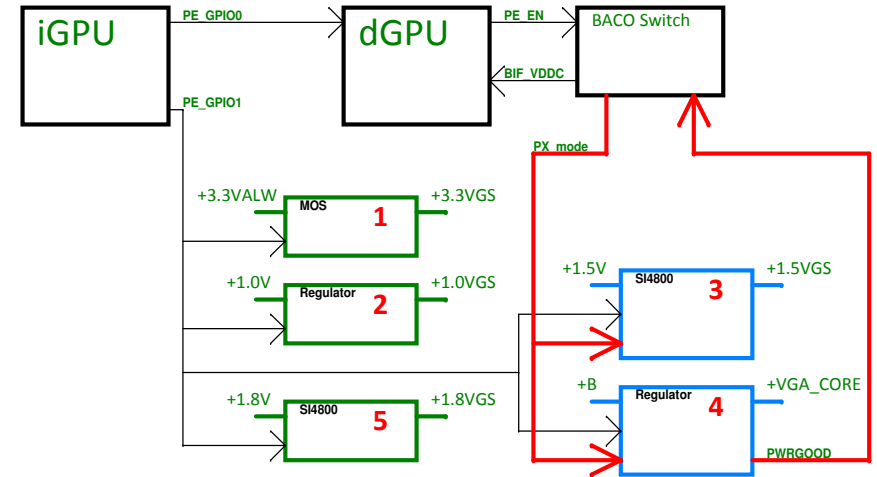
Without BACO option :

PE_GPIO0 : Low -> Reset dGPU ; High ->Normal operation
 PE_GPIO1 : Low -> dGPU Power OFF ; High -> dGPU Power ON

BACO option :

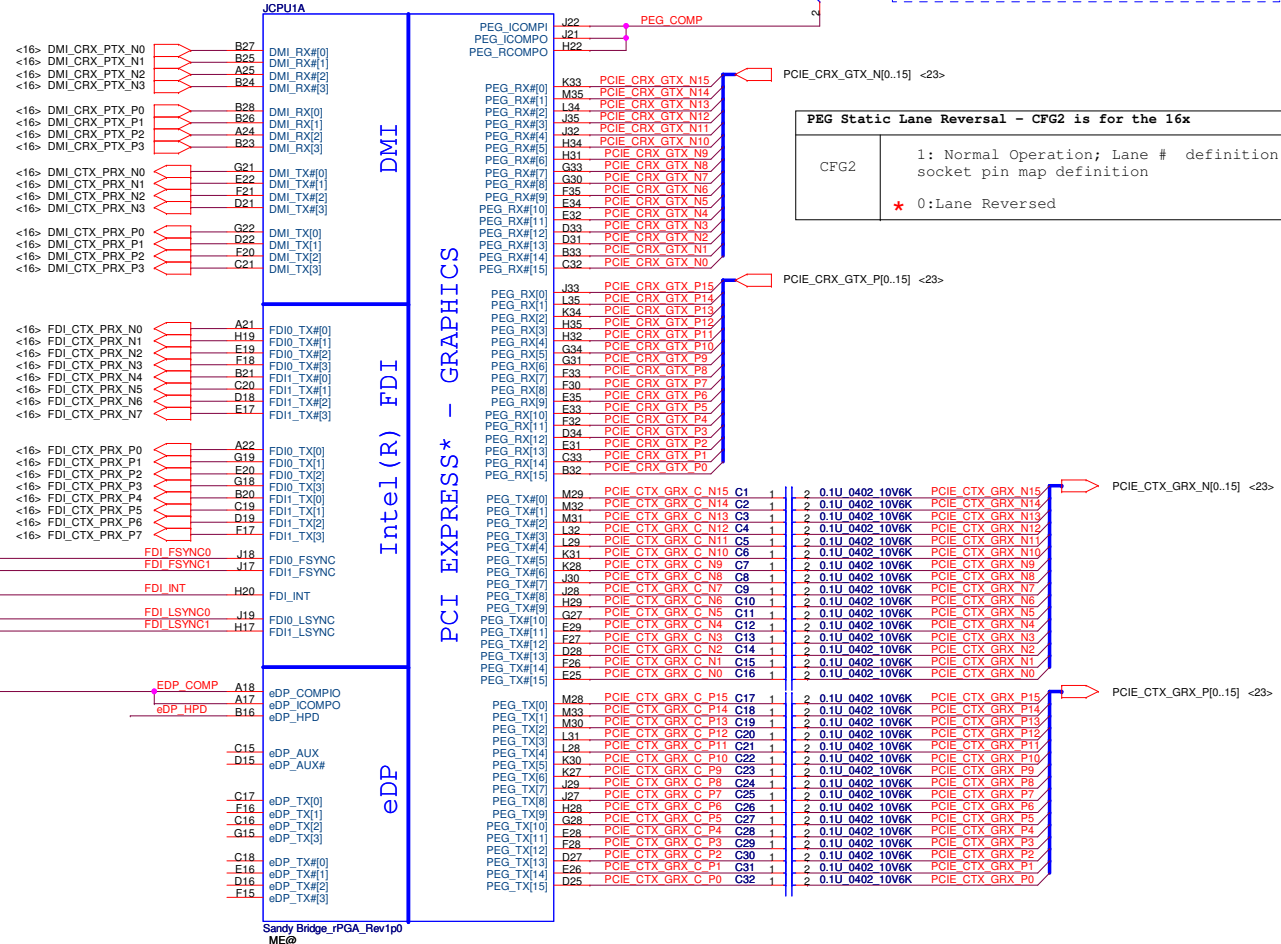
PE_GPIO0 : High ->Normal operation (dGPU is not reseton BACO mode)
 PE_GPIO1 : Low -> dGPU Power OFF ; High -> dGPU Power ON (always High)

dGPU Power Pins	Voltage	PX 3.0	BACO Mode	Max current
PCIE_PVDD, PCIE_VDDR, TSVDD, VDDR4, VDD_CT, DPE_PVDD, DP[F:E]_VDD18, DP[D:A]_PVDD, DP[D:A]_VDD18, AVDD, VDD1DI, A2VDDQ, VDD2DI, DPLL_PVDD, MPV18, and SPV18	1.8V	OFF	ON	1679mA
DP[F:E]_VDD10, DP[D:A]_VDD10, DPLL_VDDC, and SPV10	1.0V	OFF	ON	575mA
PCIE_VDDC	1.0V	OFF	ON	2A
VDDR3 , and A2VDD	3.3V	OFF	ON	190mA
BIF_VDDC (current consumption = 55mA@1.0V, in BACO mode)	Same as VDDC	OFF	ON Same as PCIE_VDDC	70mA
VDDR1	1.5V	OFF	OFF	2.8A
VDDC/VDDCI	1.12V	OFF	OFF	12.9A



Security Classification				Compal Secret Data		Compal Electronics, Inc.		
Issued Date	2010/07/12	Deciphered Date	2012/07/11	Title				
THIS SHEET OF ENGINEERING DRAWING IS THE PROPRIETARY PROPERTY OF COMPAL ELECTRONICS, INC. AND CONTAINS CONFIDENTIAL AND TRADE SECRET INFORMATION. THIS SHEET MAY NOT BE TRANSFERRED FROM THE CUSTODY OF THE COMPETENT DIVISION OF R&D DEPARTMENT EXCEPT AS AUTHORIZED BY COMPAL ELECTRONICS, INC. NEITHER THIS SHEET NOR THE INFORMATION IT CONTAINS MAY BE USED BY OR DISCLOSED TO ANY THIRD PARTY WITHOUT PRIOR WRITTEN CONSENT OF COMPAL ELECTRONICS, INC.				dGPU Block Diagram				
Size B	Document Number			Rev		0.2		
Date:	Friday, November 26, 2010			Sheet		4 of 59		

PEG_ICOMPI and RCOMPO signals should be shorted and routed with - max length = 500 mils - typical impedance = 43 mohms
 PEG_ICOMPO signals should be routed with - max length = 500 mils - typical impedance = 14.5 mohms



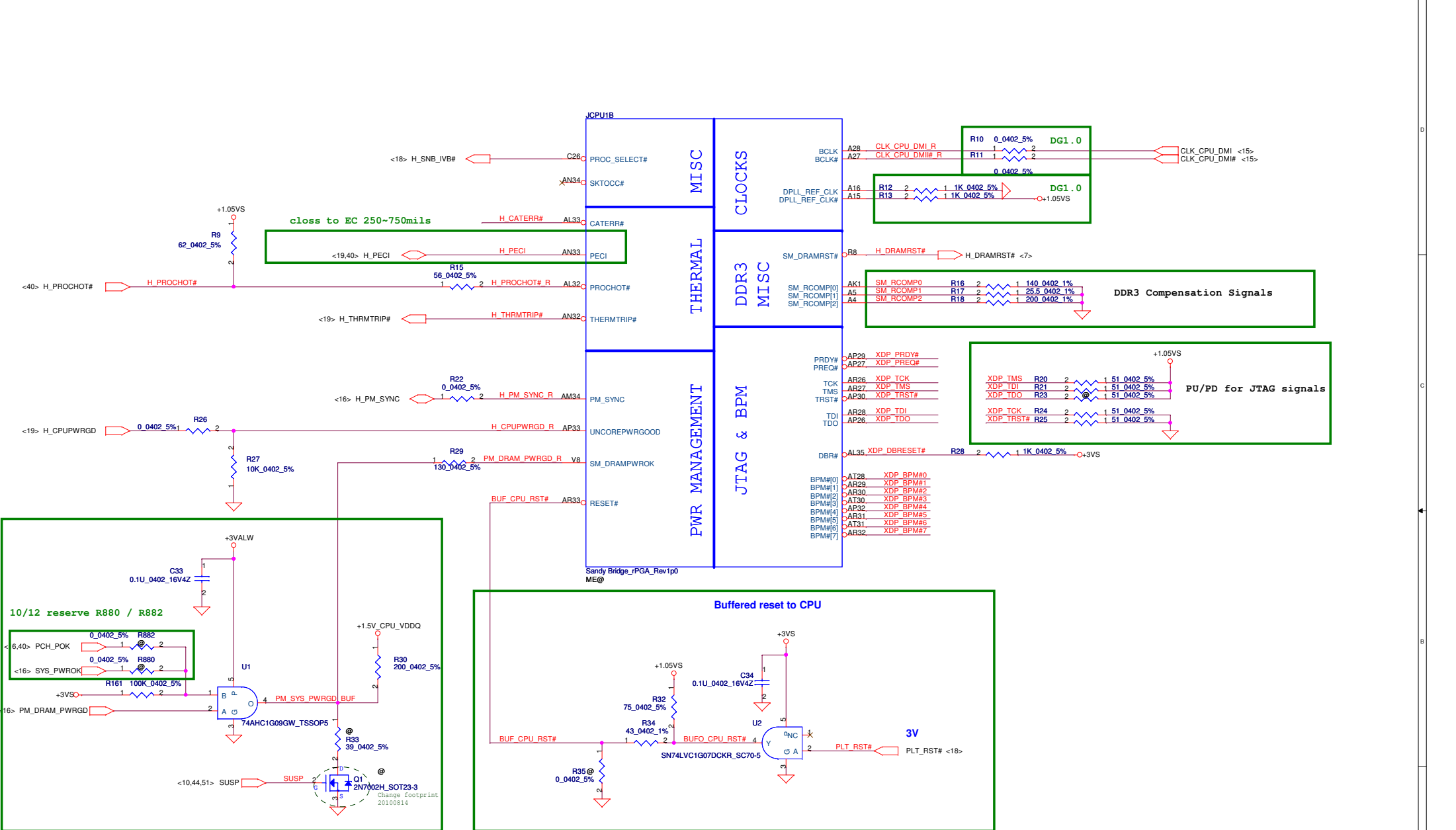
PEG Static Lane Reversal - CFG2 is for the 16x

CFG2	1: Normal Operation; Lane # definition matches socket pin map definition
*	0: Lane Reversed

DISCRETE ONLY

- 1K 0402 5% 2 DIS @ 1 R2 FDI_FSYNCO
- 1K 0402 5% 2 DIS @ 1 R3 FDI_FSYNCO
- 1K 0402 5% 2 DIS @ 1 R4 FDI_INT
- 1K 0402 5% 2 DIS @ 1 R5 FDI_LSYNCO
- 1K 0402 5% 2 DIS @ 1 R6 FDI_LSYNCO

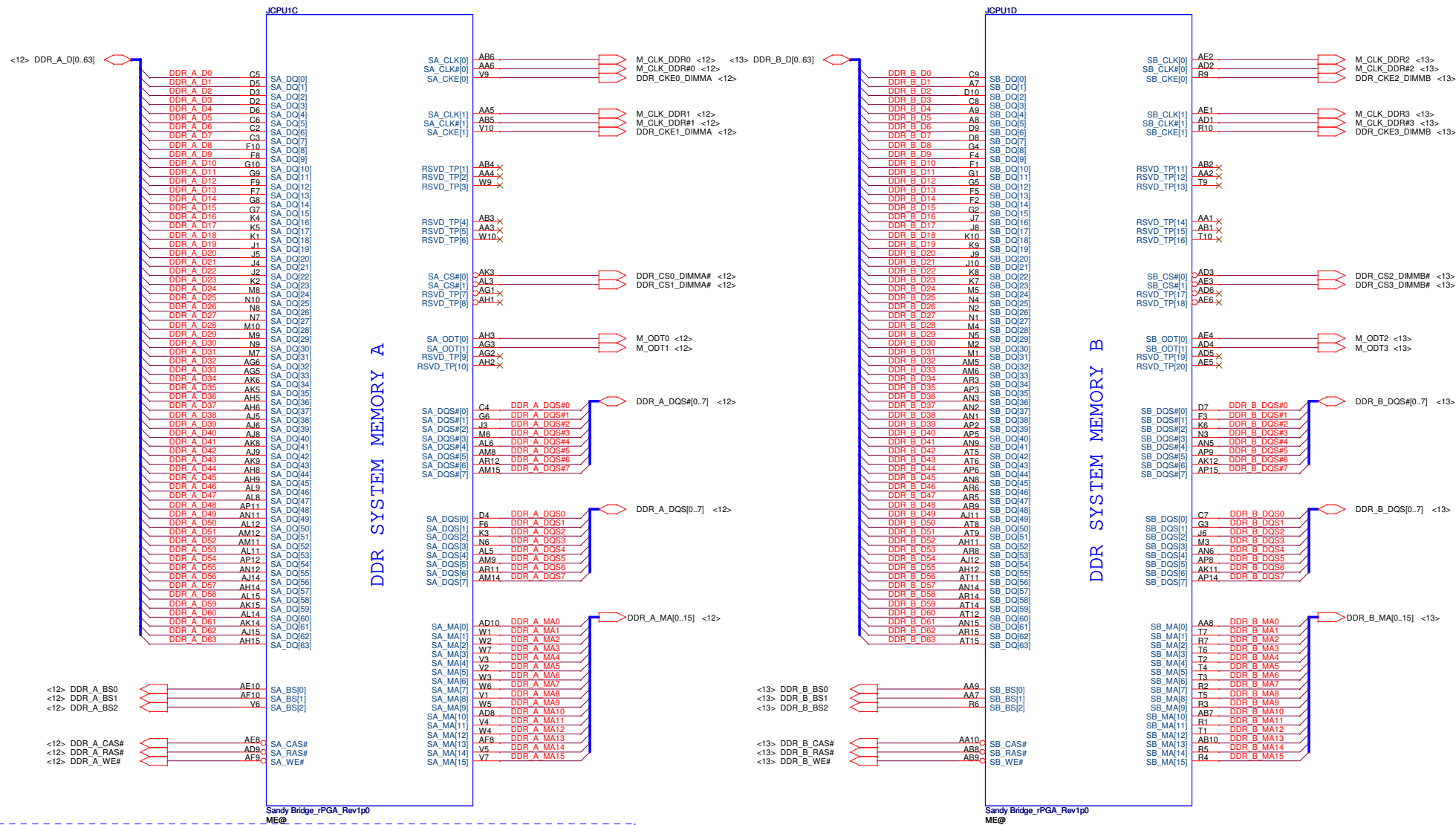
eDP_COMPIO and ICOMPO signals should be shorted near balls and routed with typical impedance <25 mohms



Security Classification	Compal Secret Data		
Issued Date	2010/07/12	Deciphered Date	2012/07/11

THIS SHEET OF ENGINEERING DRAWING IS THE PROPRIETARY PROPERTY OF COMPAL ELECTRONICS, INC. AND CONTAINS CONFIDENTIAL AND TRADE SECRET INFORMATION. THIS SHEET MAY NOT BE TRANSFERRED FROM THE CUSTODY OF THE COMPETENT DIVISION OF R&D DEPARTMENT EXCEPT AS AUTHORIZED BY COMPAL ELECTRONICS, INC. NEITHER THIS SHEET NOR THE INFORMATION IT CONTAINS MAY BE USED BY OR DISCLOSED TO ANY THIRD PARTY WITHOUT PRIOR WRITTEN CONSENT OF COMPAL ELECTRONICS, INC.

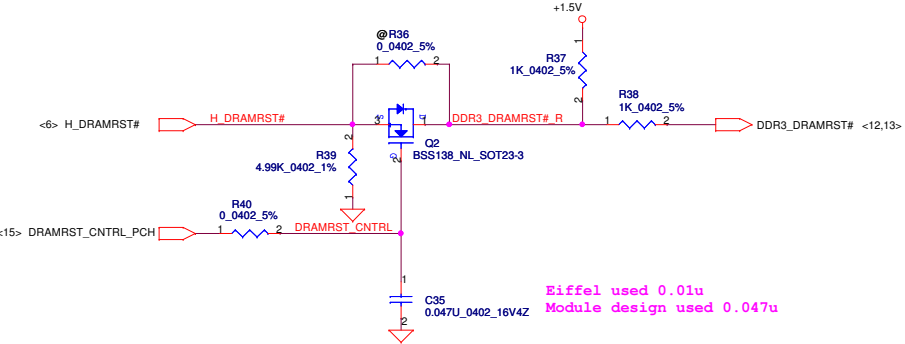
Title			
Compal Electronics, Inc.			
PROCESSOR(2/7) PM,XDP,CLK			
Size	Document Number	Rev	
Custom	LA-6751P	0.2	
Date:	Friday, November 26, 2010	Sheet	6 of 59



DDR SYSTEM MEMORY A

DDR SYSTEM MEMORY B

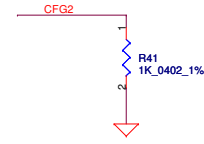
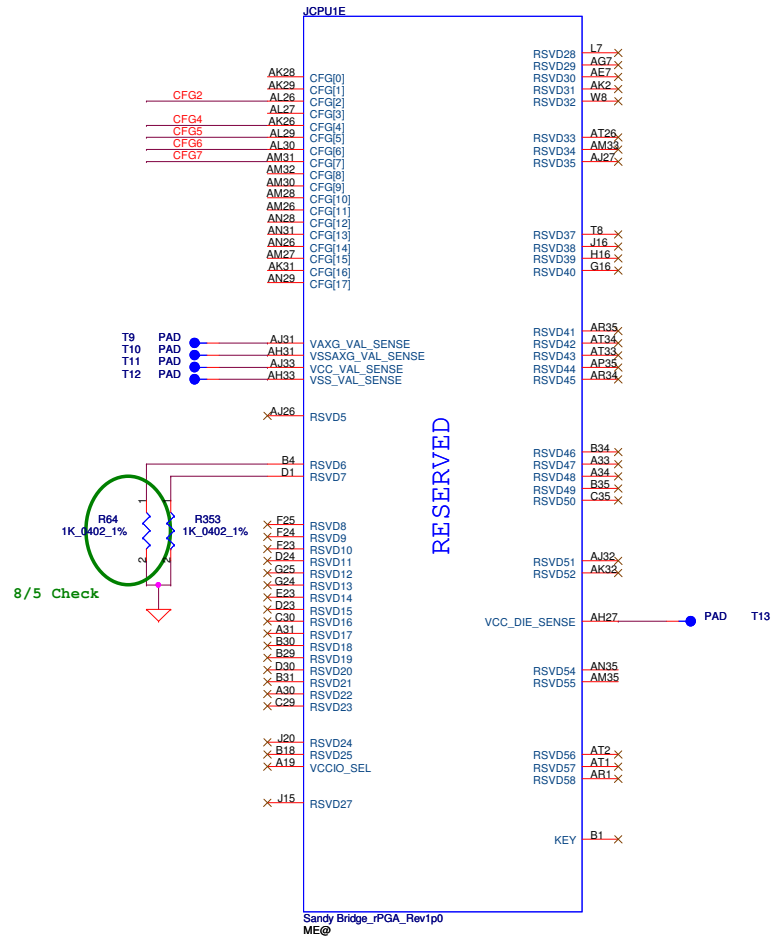
Sandy Bridge_rPGA_Rev1p0 ME@



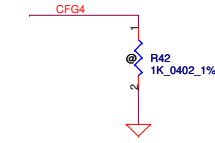
Eiffel used 0.01u
Module design used 0.047u

Security Classification		Compal Secret Data		Compal Electronics, Inc.	
Issued Date	2010/07/12	Deciphered Date	2012/07/11	Title	PROCESSOR(3/7) DDRIII
THIS SHEET OF ENGINEERING DRAWING IS THE PROPRIETARY PROPERTY OF COMPAL ELECTRONICS, INC. AND CONTAINS CONFIDENTIAL AND TRADE SECRET INFORMATION. THIS SHEET MAY NOT BE TRANSFERRED FROM THE CUSTODY OF THE COMPETENT DIVISION OF R&D DEPARTMENT EXCEPT AS AUTHORIZED BY COMPAL ELECTRONICS, INC. NEITHER THIS SHEET NOR THE INFORMATION IT CONTAINS MAY BE USED BY OR DISCLOSED TO ANY THIRD PARTY WITHOUT PRIOR WRITTEN CONSENT OF COMPAL ELECTRONICS, INC.				Size	Document Number
				Customer	LA-6751P
				Date:	Friday, November 26, 2010
				Sheet	7 of 59
				Rev	0.2

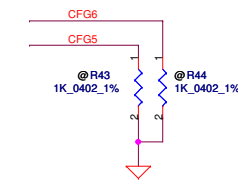
CFG Straps for Processor



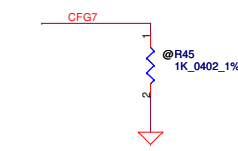
PEG Static Lane Reversal - CFG2 is for the 16x	
CFG2	1: Normal Operation; Lane # definition matches socket pin map definition * 0: Lane Reversed



Display Port Presence Strap	
CFG4	* 1 : Disabled; No Physical Display Port attached to Embedded Display Port 0 : Enabled; An external Display Port device is connected to the Embedded Display Port

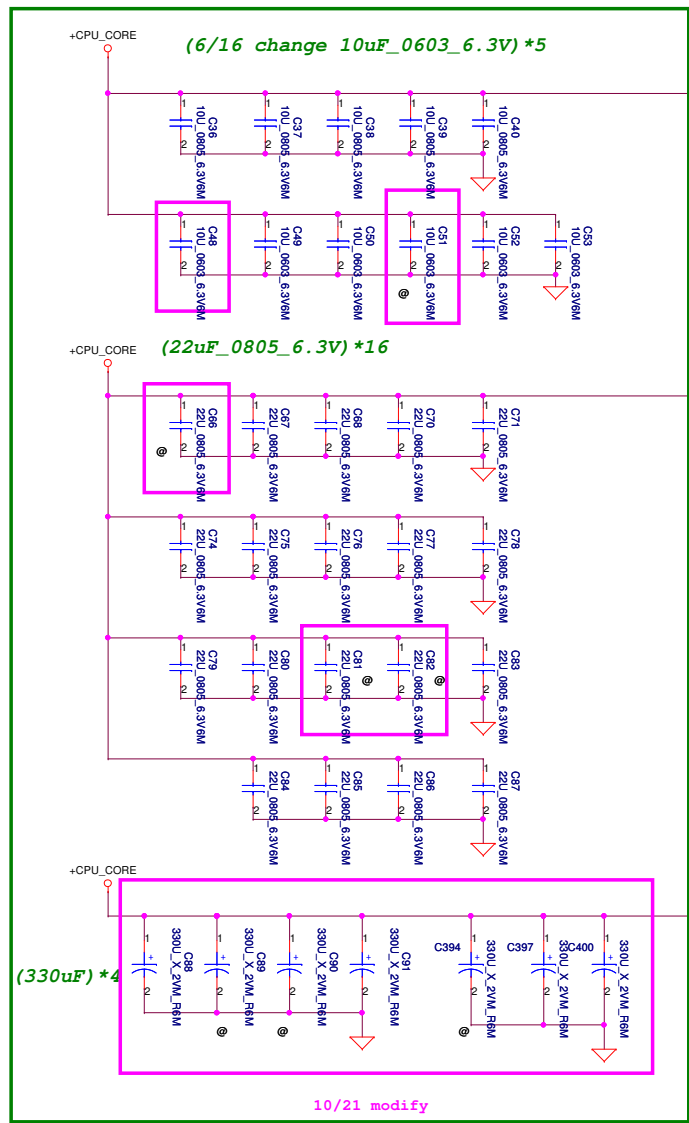


PCIe Port Bifurcation Straps	
CFG[6:5]	* 11: (Default) x16 - Device 1 functions 1 and 2 disabled 10: x8, x8 - Device 1 function 1 enabled ; function 2 disabled 01: Reserved - (Device 1 function 1 disabled ; function 2 enabled) 00: x8,x4,x4 - Device 1 functions 1 and 2 enabled



PEG DEFER TRAINING	
CFG7	1: (Default) PEG Train immediately following xxRESETB de assertion 0: PEG Wait for BIOS for training

POWER

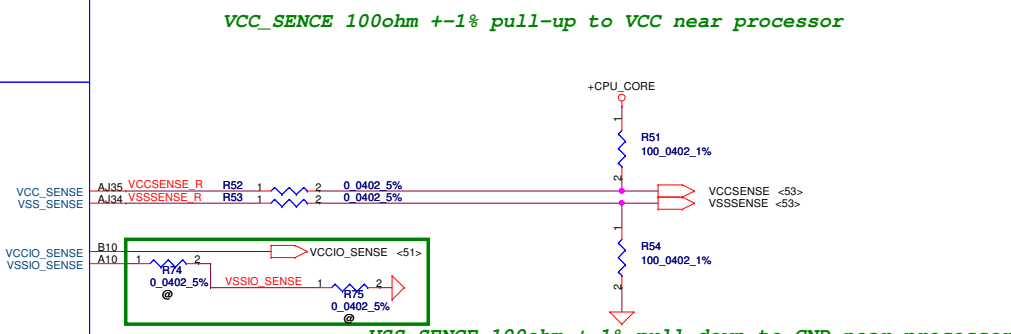
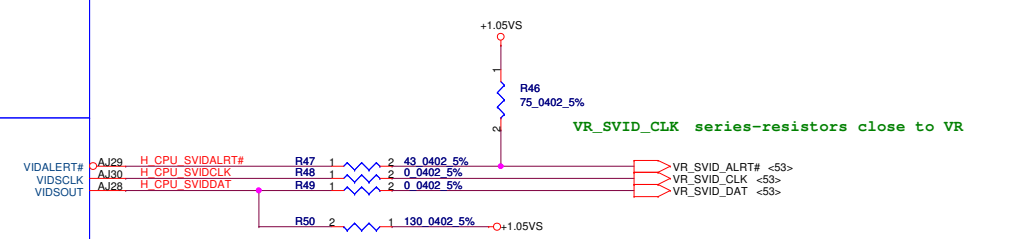
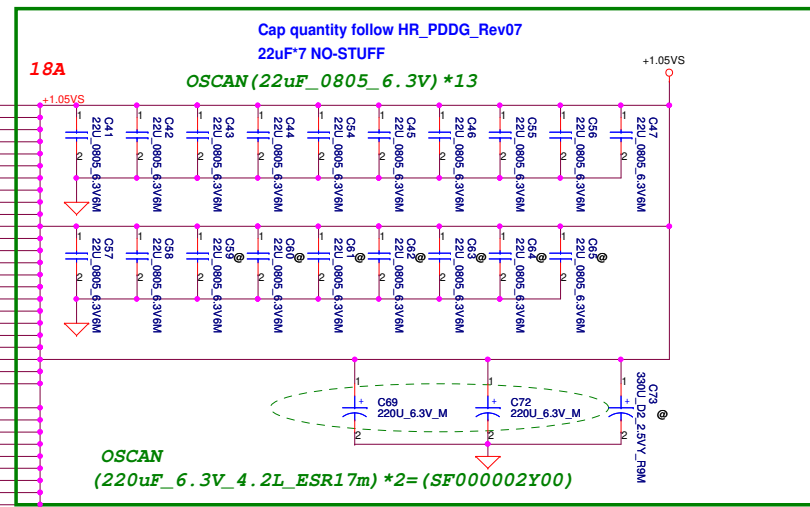


- QC=94A
DC=53A
- AG35 VCC1
 - AG34 VCC2
 - AG33 VCC3
 - AG32 VCC4
 - AG31 VCC5
 - AG30 VCC6
 - AG29 VCC7
 - AG28 VCC8
 - AG27 VCC9
 - AG26 VCC10
 - AF35 VCC11
 - AF34 VCC12
 - AF33 VCC13
 - AF32 VCC14
 - AF31 VCC15
 - AF30 VCC16
 - AF29 VCC17
 - AF28 VCC18
 - AF27 VCC19
 - AF26 VCC20
 - AD35 VCC21
 - AD34 VCC22
 - AD33 VCC23
 - AD32 VCC24
 - AD31 VCC25
 - AD30 VCC26
 - AD29 VCC27
 - AD28 VCC28
 - AD27 VCC29
 - AD26 VCC30
 - AC35 VCC31
 - AC34 VCC32
 - AC33 VCC33
 - AC32 VCC34
 - AC31 VCC35
 - AC30 VCC36
 - AC29 VCC37
 - AC28 VCC38
 - AC27 VCC39
 - AC26 VCC40
 - AA35 VCC41
 - AA34 VCC42
 - AA33 VCC43
 - AA32 VCC44
 - AA31 VCC45
 - AA30 VCC46
 - AA29 VCC47
 - AA28 VCC48
 - AA27 VCC49
 - AA26 VCC50
 - Y35 VCC51
 - Y34 VCC52
 - Y33 VCC53
 - Y32 VCC54
 - Y31 VCC55
 - Y30 VCC56
 - Y29 VCC57
 - Y28 VCC58
 - Y27 VCC59
 - Y26 VCC60
 - Y25 VCC61
 - Y24 VCC62
 - Y23 VCC63
 - V32 VCC64
 - V31 VCC65
 - V30 VCC66
 - V29 VCC67
 - V28 VCC68
 - V27 VCC69
 - V26 VCC70
 - U35 VCC71
 - U34 VCC72
 - U33 VCC73
 - U32 VCC74
 - U31 VCC75
 - U30 VCC76
 - U29 VCC77
 - U28 VCC78
 - U27 VCC79
 - U26 VCC80
 - R35 VCC81
 - R34 VCC82
 - R33 VCC83
 - R32 VCC84
 - R31 VCC85
 - R30 VCC86
 - R29 VCC87
 - R28 VCC88
 - R27 VCC89
 - R26 VCC90
 - P35 VCC91
 - P34 VCC92
 - P33 VCC93
 - P32 VCC94
 - P31 VCC95
 - P30 VCC96
 - P29 VCC97
 - P28 VCC98
 - P27 VCC99
 - P26 VCC100

- CORE SUPPLY**
- VCCIO1 AH13
 - VCCIO2 AH10
 - VCCIO3 AC10
 - VCCIO4 Y10
 - VCCIO5 U10
 - VCCIO6 P10
 - VCCIO7 L10
 - VCCIO8 J10
 - VCCIO9 J14
 - VCCIO10 J13
 - VCCIO11 J12
 - VCCIO12 H11
 - VCCIO13 H14
 - VCCIO14 H12
 - VCCIO15 G13
 - VCCIO16 G14
 - VCCIO17 G13
 - VCCIO18 G12
 - VCCIO19 F13
 - VCCIO20 F12
 - VCCIO21 F11
 - VCCIO22 F14
 - VCCIO23 F12
 - VCCIO24 F12
 - VCCIO25 E11
 - VCCIO26 D14
 - VCCIO27 D13
 - VCCIO28 D12
 - VCCIO29 D11
 - VCCIO30 C14
 - VCCIO31 C12
 - VCCIO32 C11
 - VCCIO33 B14
 - VCCIO34 B12
 - VCCIO35 A14
 - VCCIO36 A13
 - VCCIO37 A14
 - VCCIO38 A12
 - VCCIO39 A11
 - VCCIO40 J23

- PEG AND DDR**
- VCC101
 - VCC102
 - VCC103
 - VCC104
 - VCC105
 - VCC106
 - VCC107
 - VCC108
 - VCC109
 - VCC110
 - VCC111
 - VCC112
 - VCC113
 - VCC114
 - VCC115
 - VCC116
 - VCC117
 - VCC118
 - VCC119
 - VCC120
 - VCC121
 - VCC122
 - VCC123
 - VCC124
 - VCC125
 - VCC126
 - VCC127
 - VCC128
 - VCC129
 - VCC130
 - VCC131
 - VCC132
 - VCC133
 - VCC134
 - VCC135
 - VCC136
 - VCC137
 - VCC138
 - VCC139
 - VCC140
 - VCC141
 - VCC142
 - VCC143
 - VCC144
 - VCC145
 - VCC146
 - VCC147
 - VCC148
 - VCC149
 - VCC150
 - VCC151
 - VCC152
 - VCC153
 - VCC154
 - VCC155
 - VCC156
 - VCC157
 - VCC158
 - VCC159
 - VCC160
 - VCC161
 - VCC162
 - VCC163
 - VCC164
 - VCC165
 - VCC166
 - VCC167
 - VCC168
 - VCC169
 - VCC170
 - VCC171
 - VCC172
 - VCC173
 - VCC174
 - VCC175
 - VCC176
 - VCC177
 - VCC178
 - VCC179
 - VCC180
 - VCC181
 - VCC182
 - VCC183
 - VCC184
 - VCC185
 - VCC186
 - VCC187
 - VCC188
 - VCC189
 - VCC190
 - VCC191
 - VCC192
 - VCC193
 - VCC194
 - VCC195
 - VCC196
 - VCC197
 - VCC198
 - VCC199
 - VCC200

- SENSE LINES**
- VCC_SENSE
 - VSS_SENSE
 - VCCIO_SENSE
 - VSSIO_SENSE



8/12 Modify, need follow differential routing
R74 close CPU, R75 close PWR

Sandy Bridge_PPGA_Rev1A
ME@

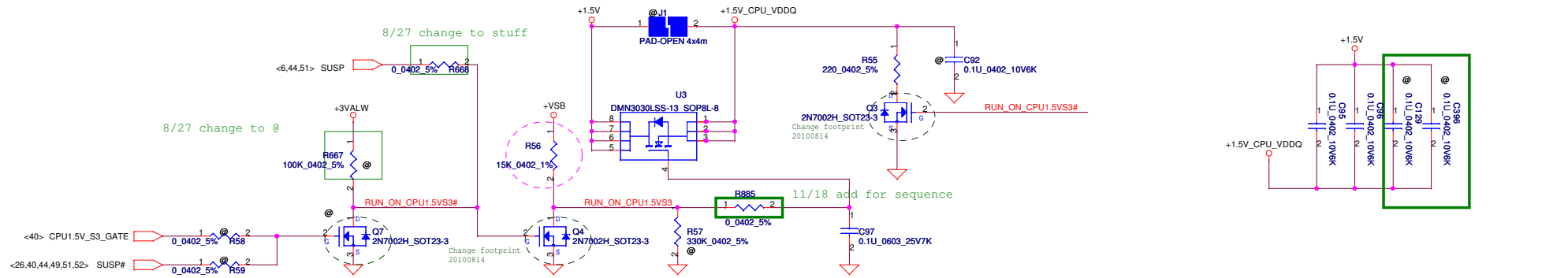
Security Classification	Compal Secret Data
Issued Date	2010/07/12
Deciphered Date	2012/07/11

Compal Electronics, Inc.

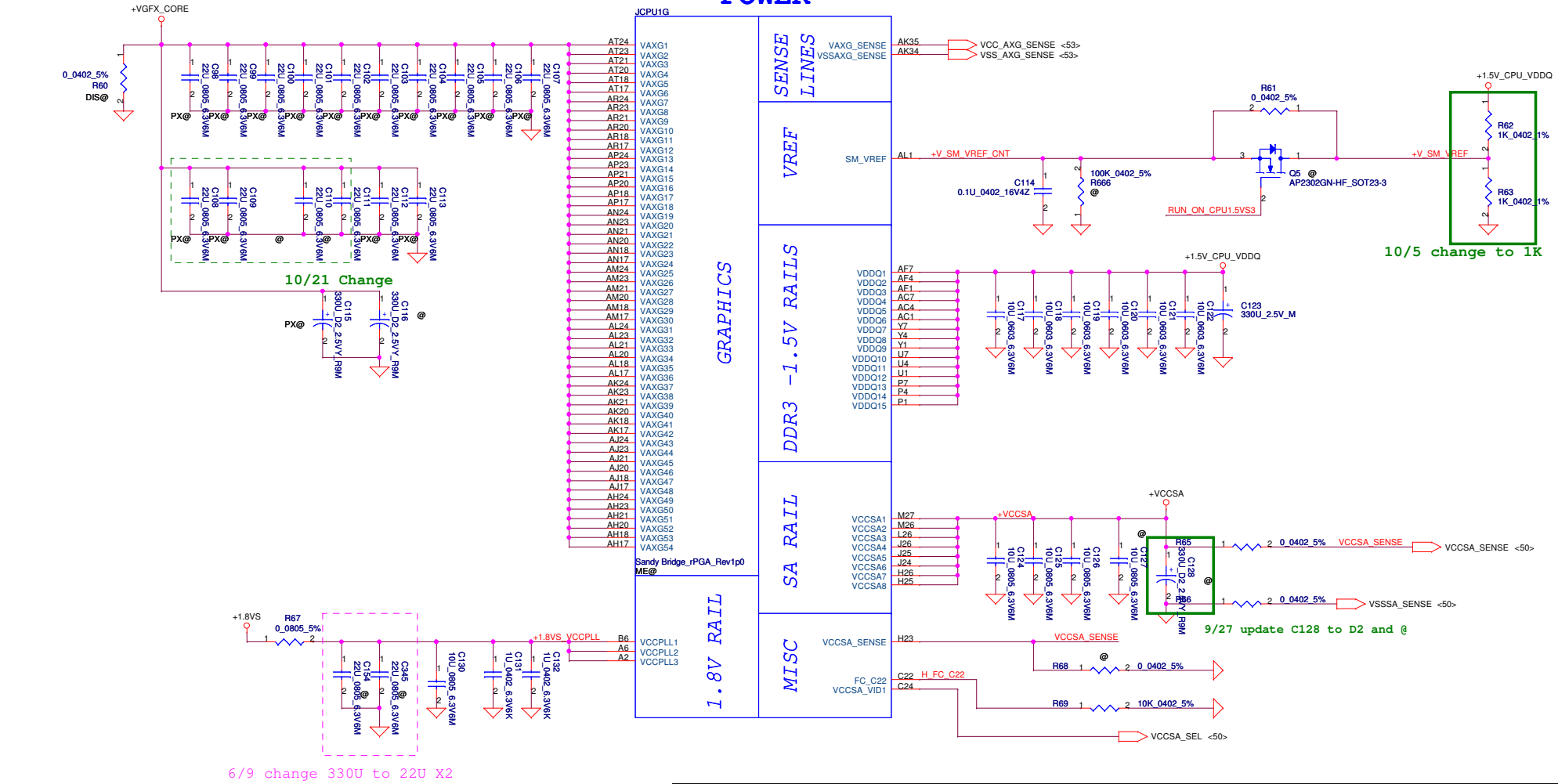
PROCESSOR(S/7) PWR,BYPASS

THIS SHEET OF ENGINEERING DRAWING IS THE PROPRIETARY PROPERTY OF COMPAL ELECTRONICS, INC. AND CONTAINS CONFIDENTIAL AND TRADE SECRET INFORMATION. IT MAY NOT BE TRANSFERRED FROM THE CUSTODY OF THE COMPETENT DIVISION OF R&D DEPARTMENT EXCEPT AS AUTHORIZED BY COMPAL ELECTRONICS, INC. NEITHER THIS SHEET NOR THE INFORMATION IT CONTAINS MAY BE USED BY OR DISCLOSED TO ANY THIRD PARTY WITHOUT PRIOR WRITTEN CONSENT OF COMPAL ELECTRONICS, INC.

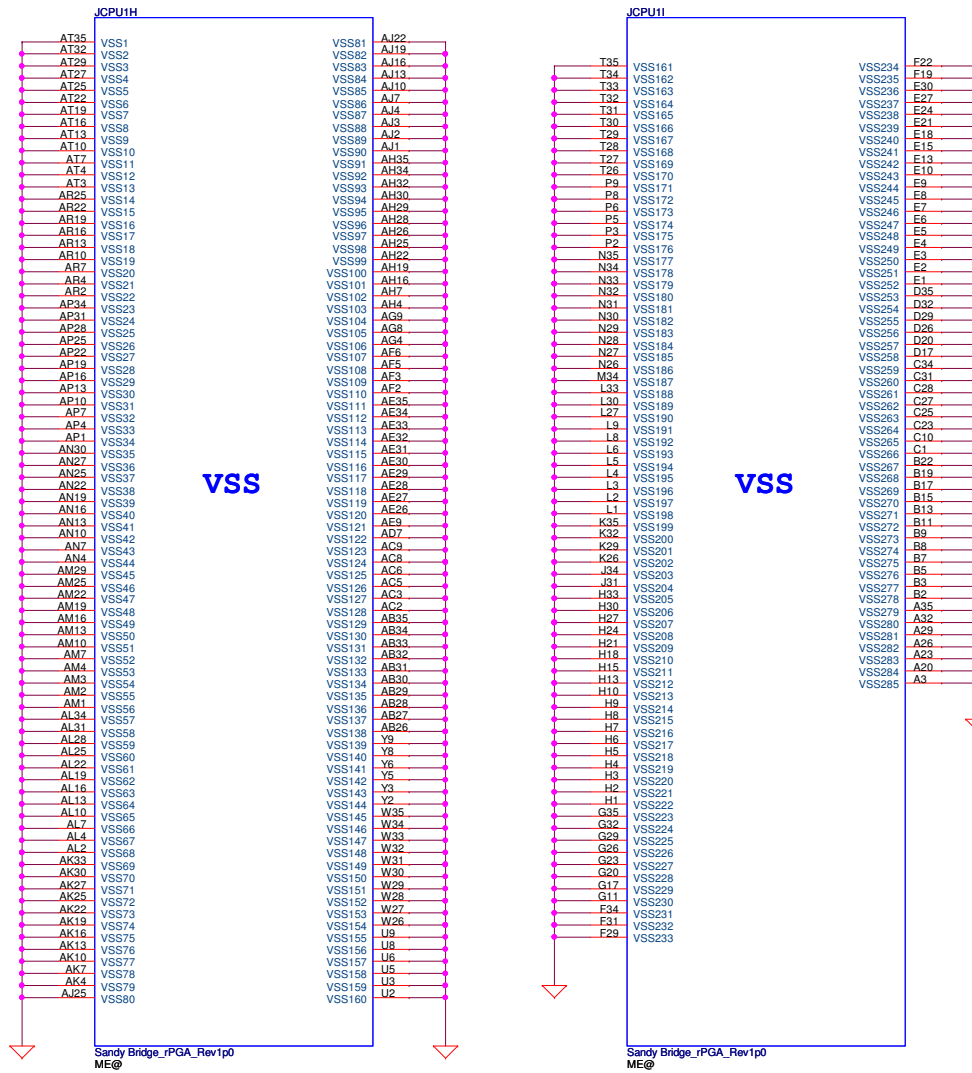
Size	Document Number	Rev
Custom	LA-6751P	0.2
Date:	Friday, November 26, 2010	Sheet 9 of 59



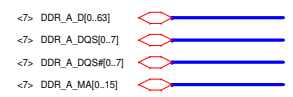
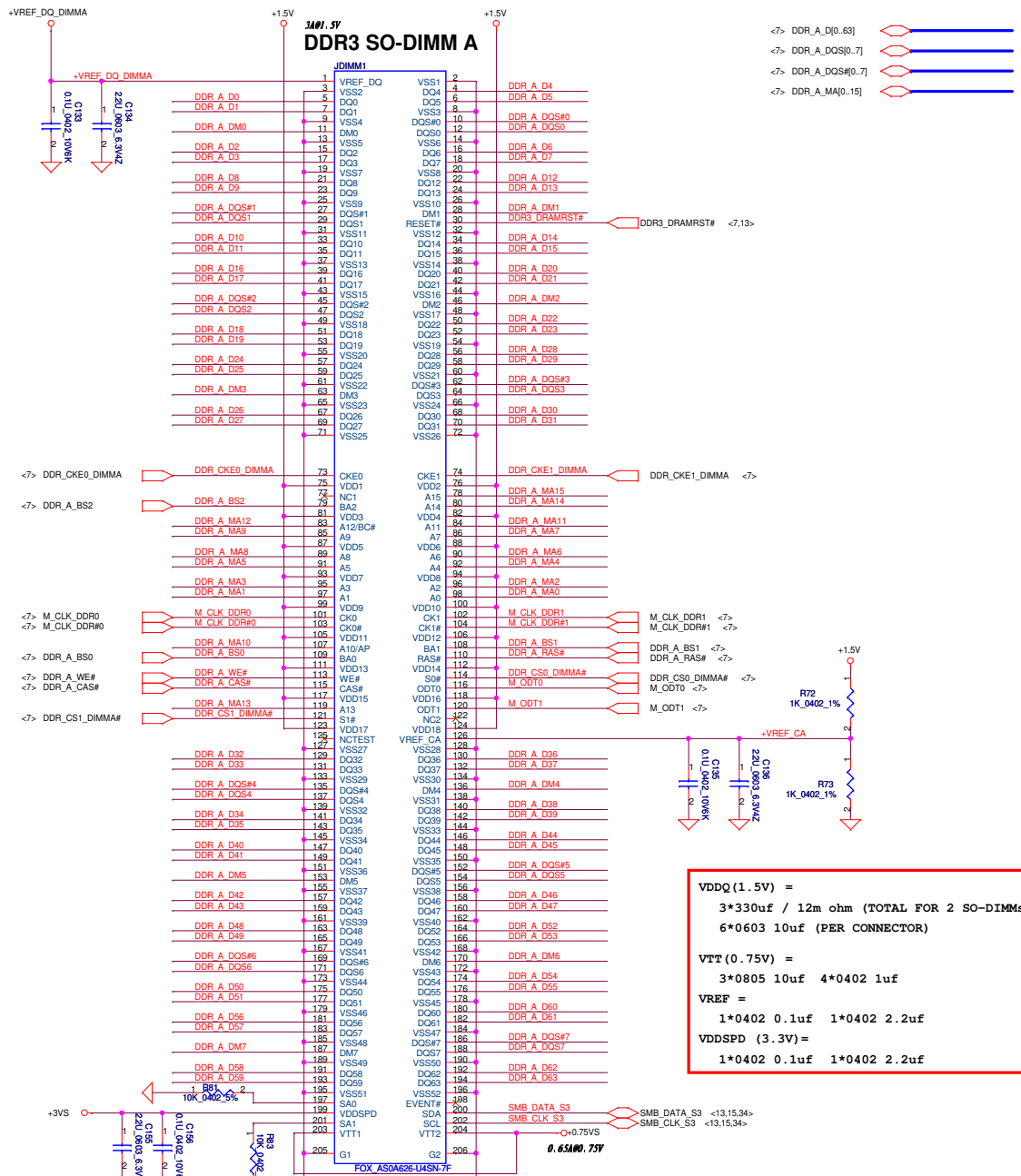
POWER



Security Classification	Compal Secret Data			Title	
Issued Date	2010/07/12	Deciphered Date	2012/07/11	PROCESSOR(6/7) PWR	
<small>THIS SHEET OF ENGINEERING DRAWING IS THE PROPRIETARY PROPERTY OF COMPAL ELECTRONICS, INC. AND CONTAINS CONFIDENTIAL AND TRADE SECRET INFORMATION. THIS SHEET MAY NOT BE TRANSFERRED FROM THE CUSTODY OF THE COMPETENT DIVISION OF R&D DEPARTMENT EXCEPT AS AUTHORIZED BY COMPAL ELECTRONICS, INC. NEITHER THIS SHEET NOR THE INFORMATION IT CONTAINS MAY BE USED BY OR DISCLOSED TO ANY THIRD PARTY WITHOUT PRIOR WRITTEN CONSENT OF COMPAL ELECTRONICS, INC.</small>				Size Custom	Document Number LA-6751P
				Date:	Friday, November 26, 2010
				Sheet	10 of 59

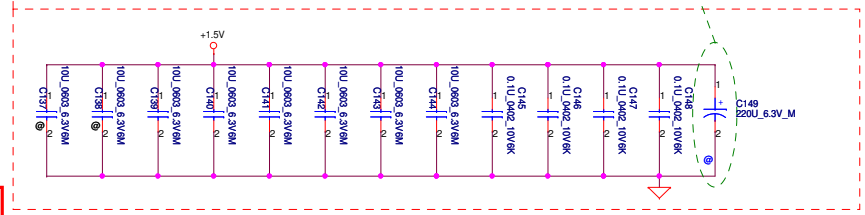


Security Classification		Compal Secret Data		Title	
Issued Date	2010/07/12	Deciphered Date	2012/07/11	Compal Electronics, Inc.	
THIS SHEET OF ENGINEERING DRAWING IS THE PROPRIETARY PROPERTY OF COMPAL ELECTRONICS, INC. AND CONTAINS CONFIDENTIAL AND TRADE SECRET INFORMATION. THIS SHEET MAY NOT BE TRANSFERRED FROM THE CUSTODY OF THE COMPETITION DIVISION OF R&D DEPARTMENT EXCEPT AS AUTHORIZED BY COMPAL ELECTRONICS, INC. NEITHER THIS SHEET NOR THE INFORMATION IT CONTAINS MAY BE USED BY OR DISCLOSED TO ANY THIRD PARTY WITHOUT PRIOR WRITTEN CONSENT OF COMPAL ELECTRONICS, INC.				PROCESSOR(7/7) VSS	
Size	Document Number	Rev		0.2	
Custom	LA-6751P	Date:		Friday, November 26, 2010 Sheet 11 of 59	



Layout Note:
Place near DIMM

OSCAN (220uF_6.3V_4.2L_ESR17m)*1=(SF000002Y00)
 (10uF_0603_6.3V)*8
 (0.1uF_402_10V)*4



Layout Note:
Place near DIMM

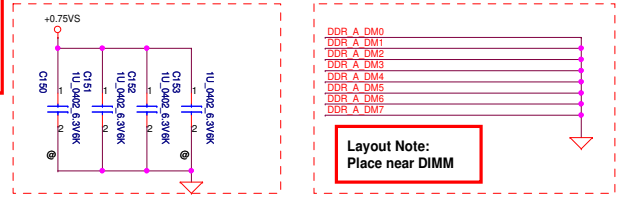
VDDQ (1.5V) =
 3*330uF / 12m ohm (TOTAL FOR 2 SO-DIMMs)
 6*0603 10uF (PER CONNECTOR)

VTT (0.75V) =
 3*0805 10uF 4*0402 1uF

VREF =
 1*0402 0.1uF 1*0402 2.2uF

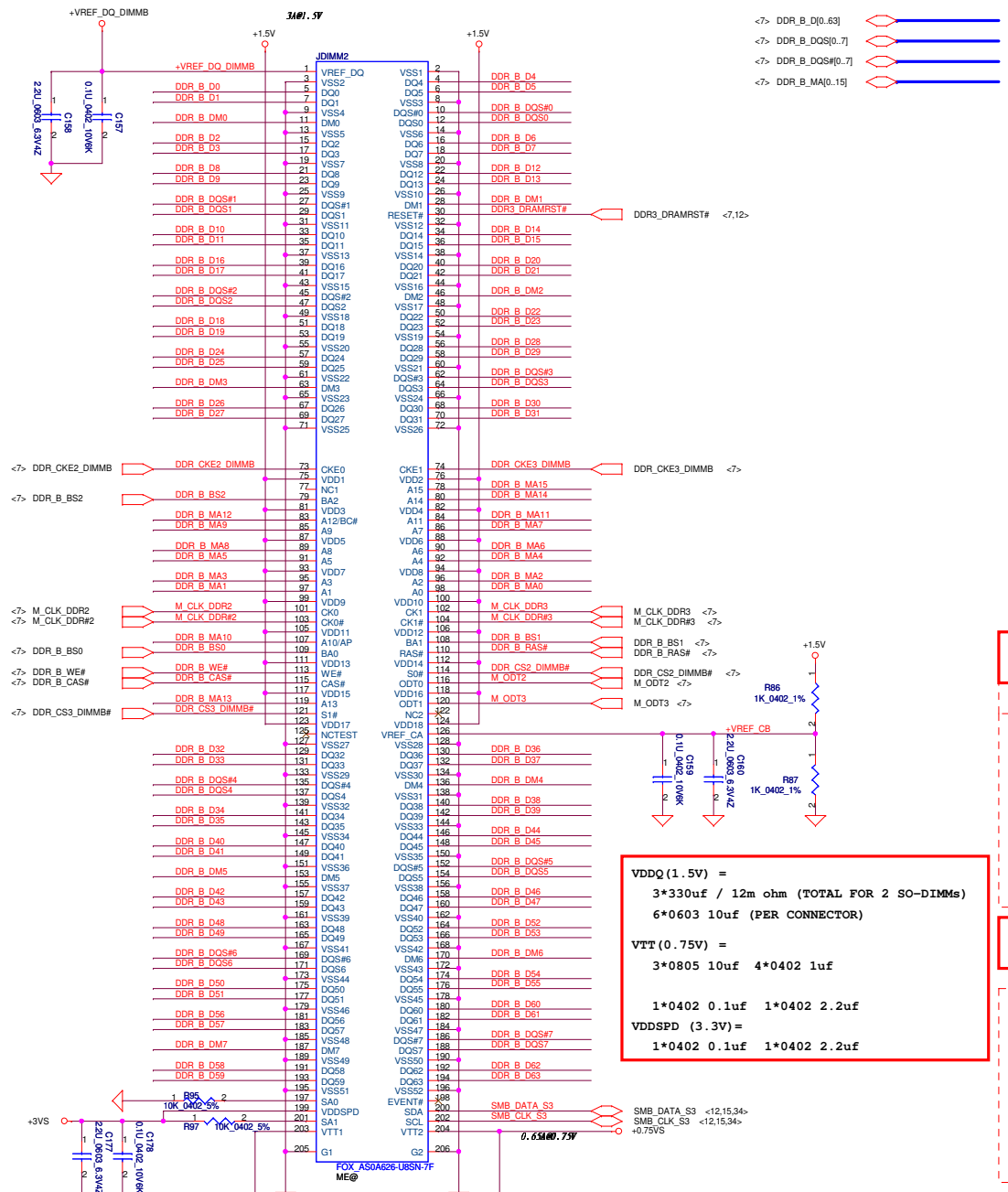
VDDSPD (3.3V) =
 1*0402 0.1uF 1*0402 2.2uF

7/28 Update connect GND directly



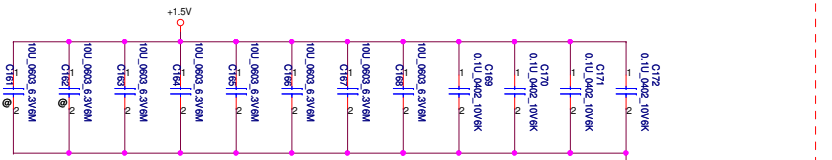
Layout Note:
Place near DIMM

Security Classification	Compal Secret Data		Title	Compal Electronics, Inc.	
Issued Date	2010/07/12	Deciphered Date	2012/07/11	DDR3-SODIMM SLOT1	
THIS SHEET OF ENGINEERING DRAWING IS THE PROPRIETARY PROPERTY OF COMPAL ELECTRONICS, INC. AND CONTAINS CONFIDENTIAL AND TRADE SECRET INFORMATION. THIS SHEET MAY NOT BE TRANSFERRED FROM THE CUSTODY OF THE COMPETENT DIVISION OF R&D DEPARTMENT EXCEPT AS AUTHORIZED BY COMPAL ELECTRONICS, INC. NEITHER THIS SHEET NOR THE INFORMATION IT CONTAINS MAY BE USED BY OR DISCLOSED TO ANY THIRD PARTY WITHOUT PRIOR WRITTEN CONSENT OF COMPAL ELECTRONICS, INC.			Sub Custom	Document Number	Rev 0.2
Date:	Friday, November 26, 2010	ISheet	12	of	59



For Arranale only +VREF_DQ_DIMMB supply from a external 1.5V voltage divide circuit.
07/17/2009

Layout Note:
Place near DIMM
(10uF_0603_6.3V) *8
(0.1uF_402_10V) *4



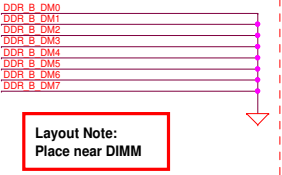
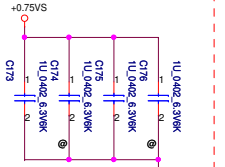
Layout Note:
Place near DIMM

VDDQ (1.5V) =
3*330uf / 12m ohm (TOTAL FOR 2 SO-DIMMS)
6*0603 10uf (PER CONNECTOR)

VTT (0.75V) =
3*0805 10uf 4*0402 1uf

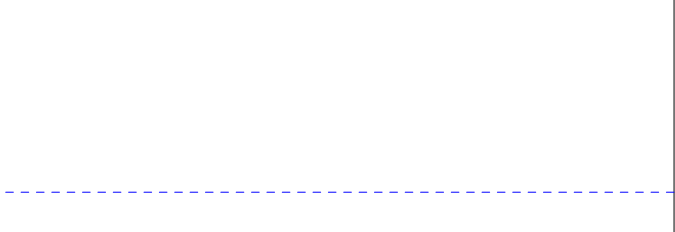
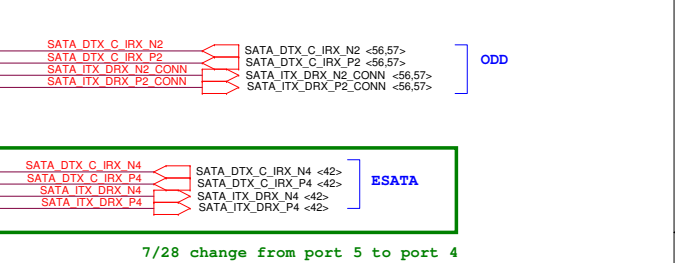
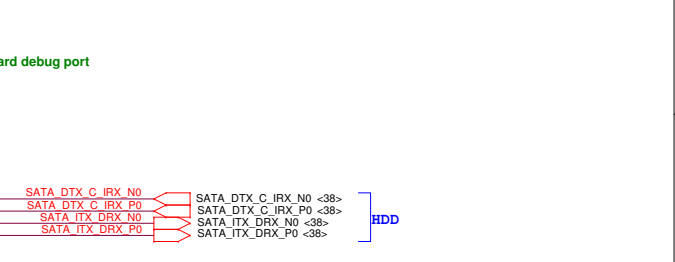
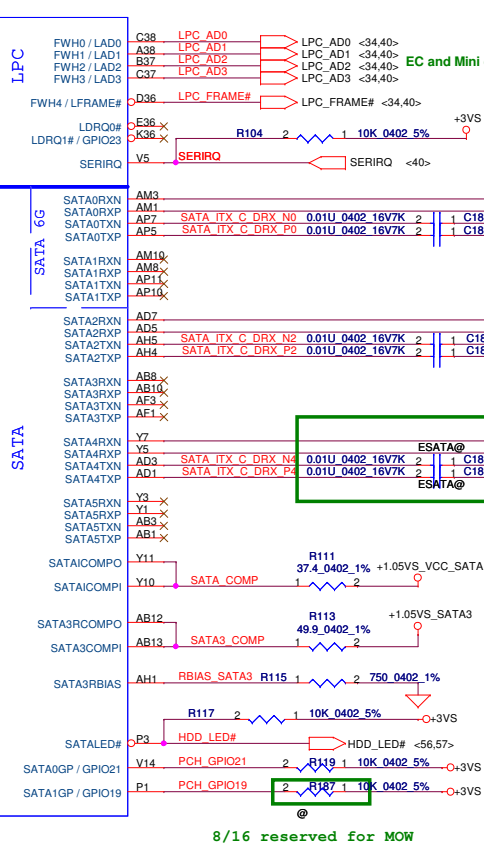
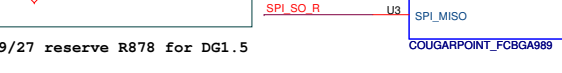
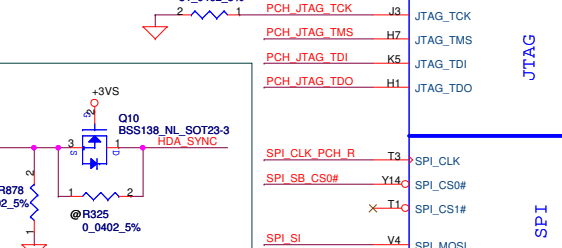
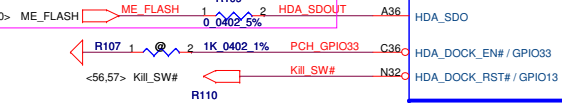
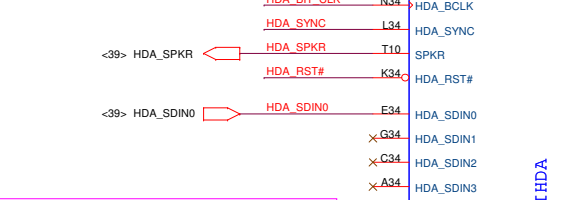
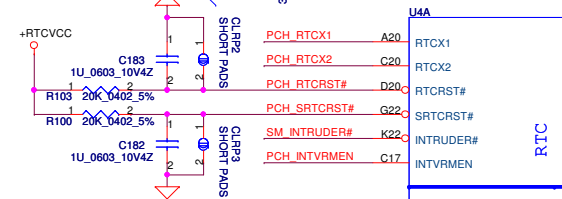
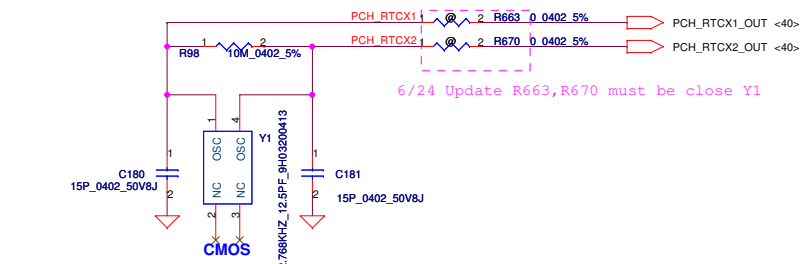
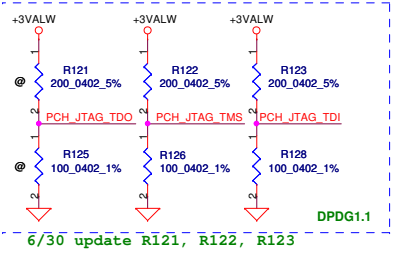
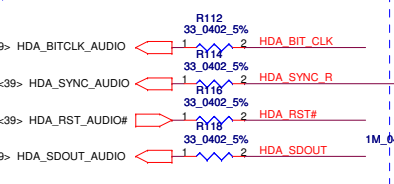
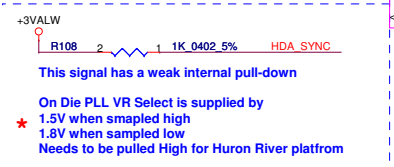
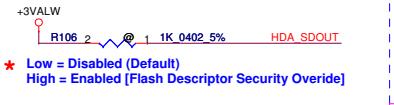
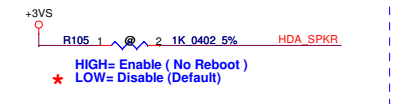
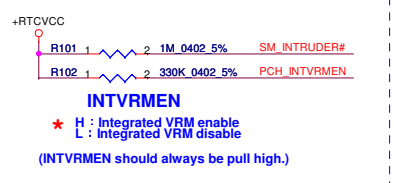
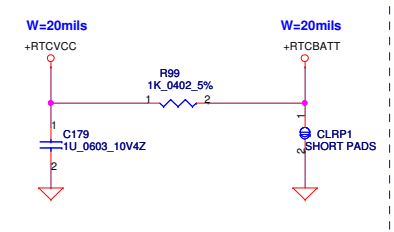
VDDSPD (3.3V) =
1*0402 0.1uf 1*0402 2.2uf
1*0402 0.1uf 1*0402 2.2uf

7/28 Update connect GND directly

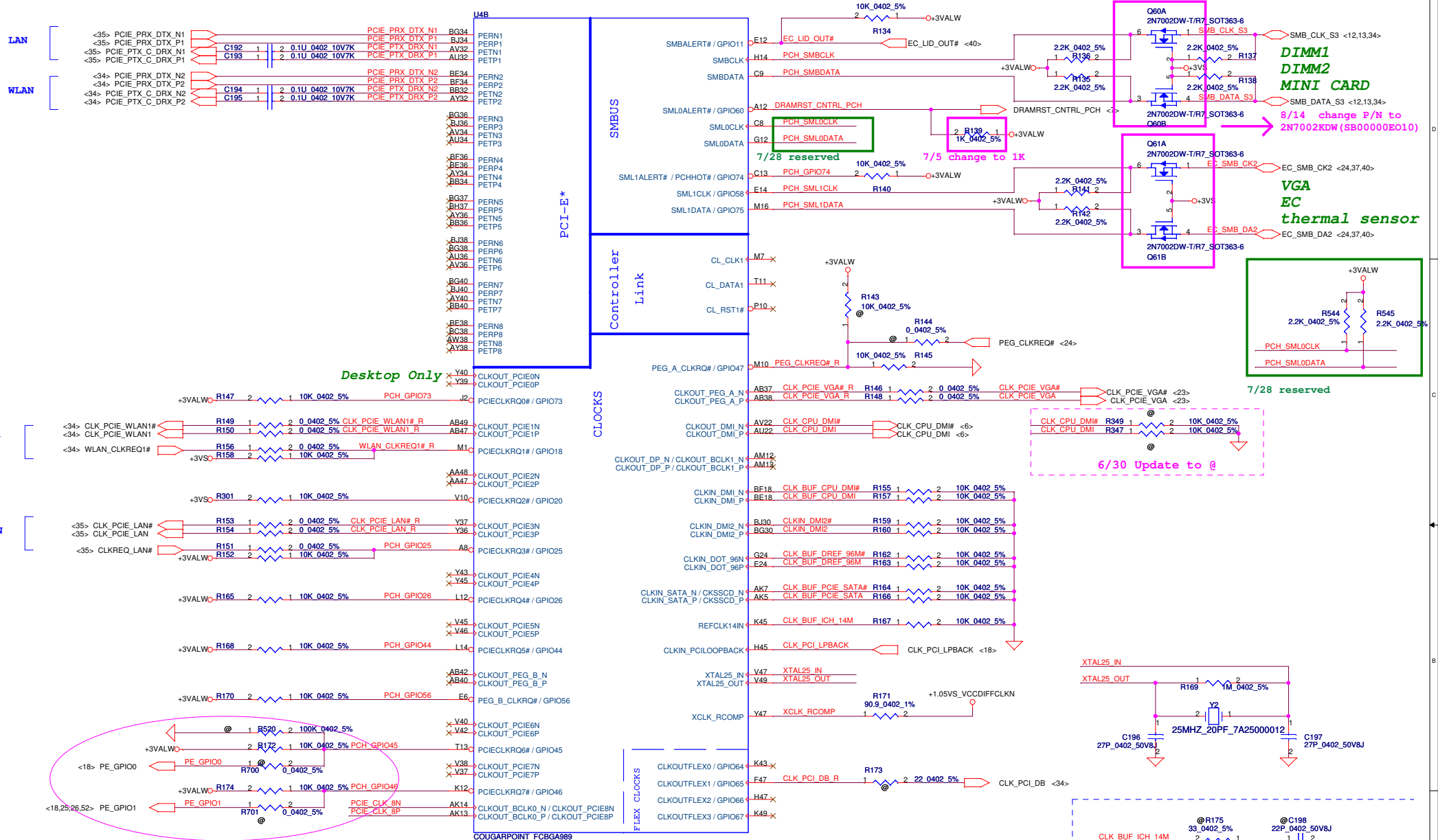


Security Classification	Compal Secret Data		Title	
Issued Date	2010/07/12	Deciphered Date	2012/07/11	
THIS SHEET OF ENGINEERING DRAWING IS THE PROPRIETARY PROPERTY OF COMPAL ELECTRONICS, INC. AND CONTAINS CONFIDENTIAL AND TRADE SECRET INFORMATION. THIS SHEET MAY NOT BE TRANSFERRED FROM THE CUSTODY OF THE COMPETENT DIVISION OF R&D DEPARTMENT EXCEPT AS AUTHORIZED BY COMPAL ELECTRONICS, INC. NEITHER THIS SHEET NOR THE INFORMATION IT CONTAINS MAY BE USED BY OR DISCLOSED TO ANY THIRD PARTY WITHOUT PRIOR WRITTEN CONSENT OF COMPAL ELECTRONICS, INC.				
Size	Document Number	Rev	02	
Date	Friday, November 26, 2010	Sheet	13	of 59

Compal Electronics, Inc.
DDR3-SODIMM SLOT2
LA-6751P

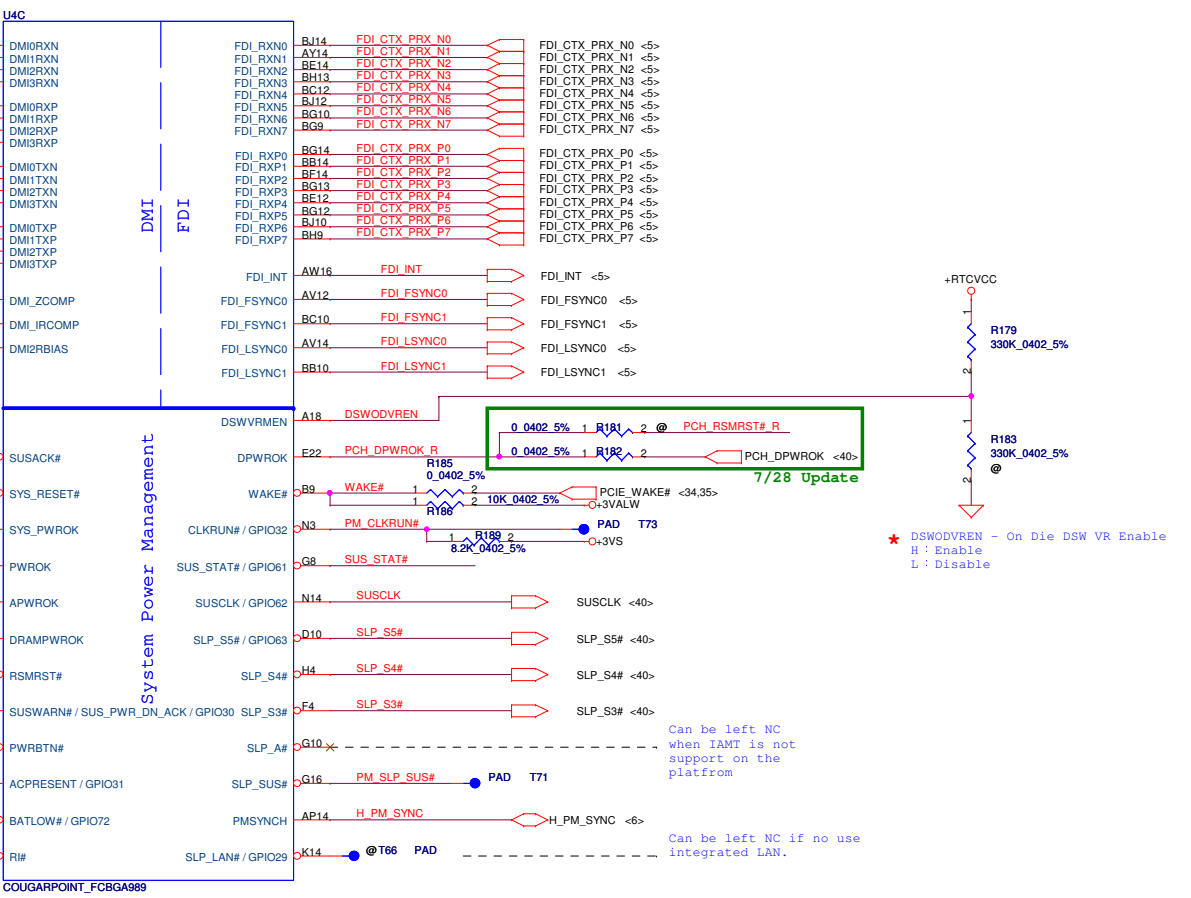
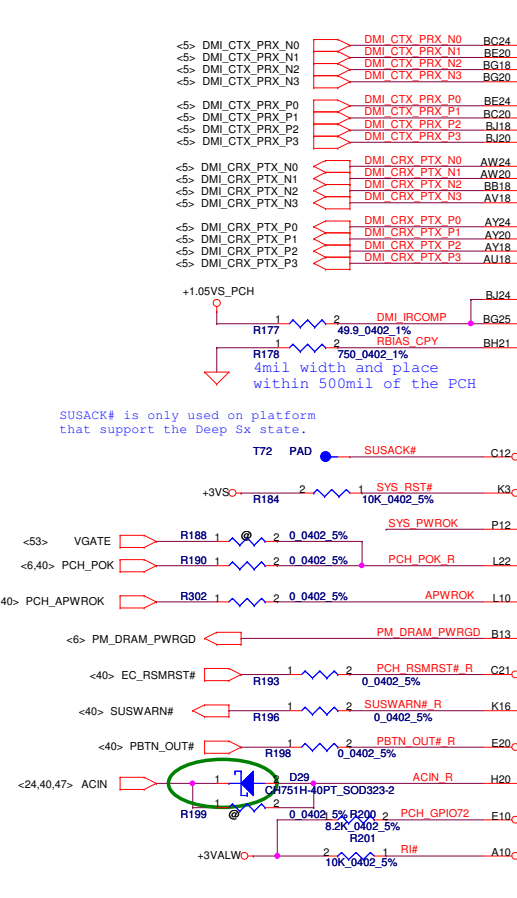
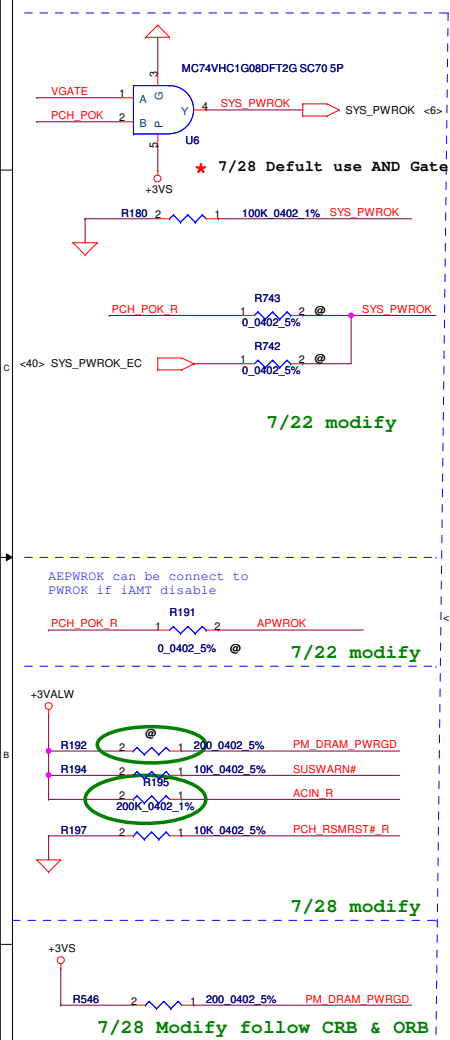


Security Classification	Compal Secret Data		Title	
Issued Date	2010/07/12	Deciphered Date	2012/07/11	Compal Electronics, Inc.
THIS SHEET OF ENGINEERING DRAWING IS THE PROPRIETARY PROPERTY OF COMPAL ELECTRONICS, INC. AND CONTAINS CONFIDENTIAL AND TRADE SECRET INFORMATION. THIS SHEET MAY NOT BE TRANSFERRED FROM THE CUSTODY OF THE COMPETENT DIVISION OF R&D DEPARTMENT EXCEPT AS AUTHORIZED BY COMPAL ELECTRONICS, INC. NEITHER THIS SHEET NOR THE INFORMATION IT CONTAINS MAY BE USED BY OR DISCLOSED TO ANY THIRD PARTY WITHOUT PRIOR WRITTEN CONSENT OF COMPAL ELECTRONICS, INC.				
Size	Document Number	Title		Rev
Custord	LA-6751P	PCH (1/8) SATA,HDA,SPI, LPC, XDP		0.2
Date:	Friday, November 26, 2010	Sheet	14	of 59

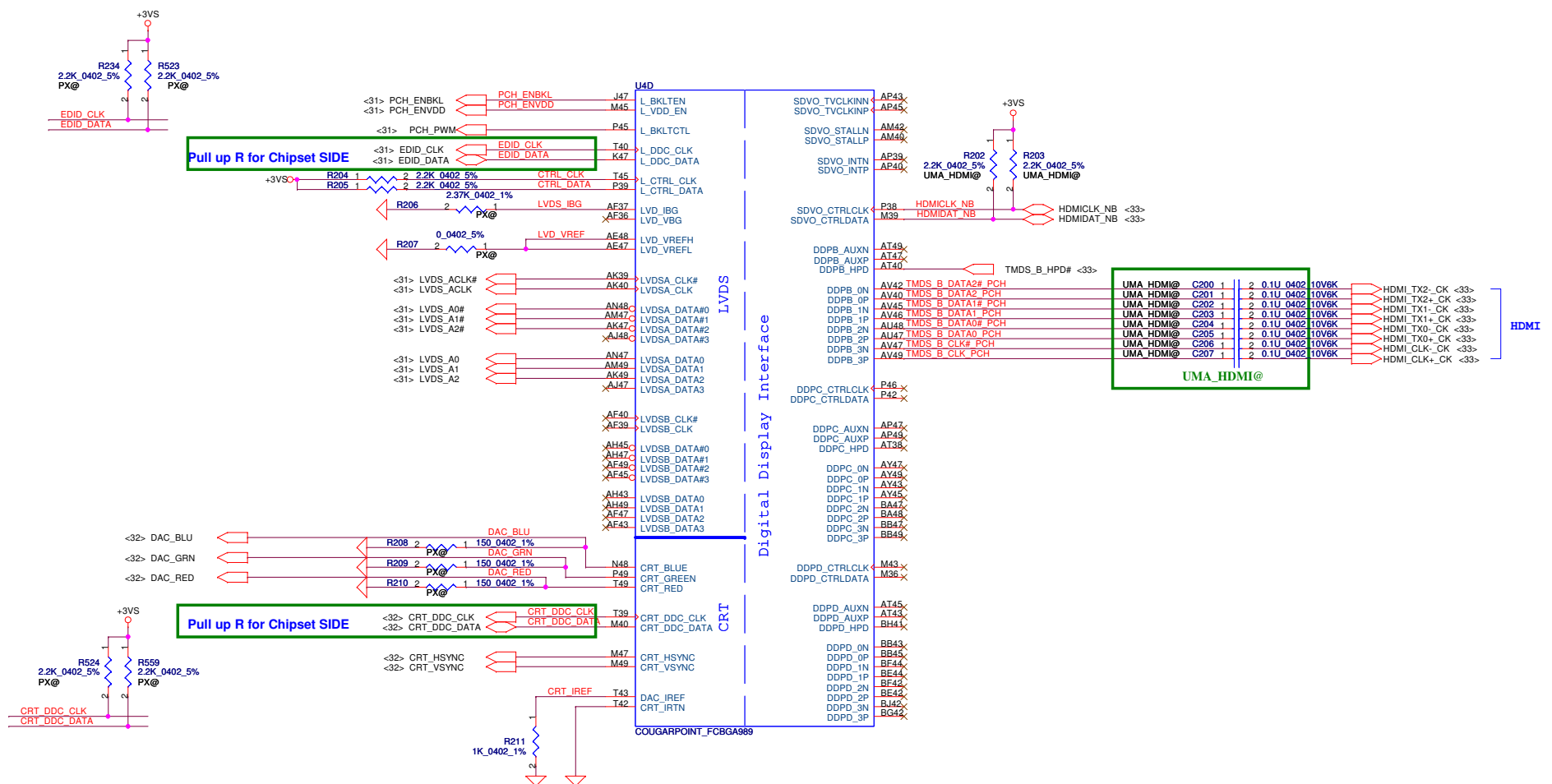


Security Classification	Compal Secret Data		
Issued Date	2010/07/12	Deciphered Date	2012/07/11
THIS SHEET OF ENGINEERING DRAWING IS THE PROPRIETARY PROPERTY OF COMPAL ELECTRONICS, INC. AND CONTAINS CONFIDENTIAL AND TRADE SECRET INFORMATION. THIS SHEET MAY NOT BE TRANSFERRED FROM THE CUSTODY OF THE COMPETENT DIVISION OF R&D DEPARTMENT EXCEPT AS AUTHORIZED BY COMPAL ELECTRONICS, INC. NEITHER THIS SHEET NOR THE INFORMATION IT CONTAINS MAY BE USED BY OR DISCLOSED TO ANY THIRD PARTY WITHOUT PRIOR WRITTEN CONSENT OF COMPAL ELECTRONICS, INC.			

Compal Electronics, Inc.			
Title PCH (2/8) PCIE, SMBUS, CLK			
Size	Document Number		Rev
Custom	LA-6751P		0.2
Date:	Friday, November 26, 2010	Sheet	15 of 59



Security Classification	Compal Secret Data		Compal Electronics, Inc.	
Issued Date	2010/07/12	Deciphered Date	2012/07/11	Title
THIS SHEET OF ENGINEERING DRAWING IS THE PROPRIETARY PROPERTY OF COMPAL ELECTRONICS, INC. AND CONTAINS CONFIDENTIAL AND TRADE SECRET INFORMATION. THIS SHEET MAY NOT BE TRANSFERRED FROM THE CUSTODY OF THE COMPETENT DIVISION OF R&D DEPARTMENT EXCEPT AS AUTHORIZED BY COMPAL ELECTRONICS, INC. NEITHER THIS SHEET NOR THE INFORMATION IT CONTAINS MAY BE USED BY OR DISCLOSED TO ANY THIRD PARTY WITHOUT PRIOR WRITTEN CONSENT OF COMPAL ELECTRONICS, INC.				PCH (3/8) DMI,FDI,PM, LA-6751P Date: Friday, November 26, 2010 Sheet 16 of 59
Size	Custom	Document Number	Rev	0.2



Security Classification	Compal Secret Data		Title	
Issued Date	2010/07/12	Deciphered Date	2012/07/11	Compal Electronics, Inc.
THIS SHEET OF ENGINEERING DRAWING IS THE PROPRIETARY PROPERTY OF COMPAL ELECTRONICS, INC. AND CONTAINS CONFIDENTIAL AND TRADE SECRET INFORMATION. THIS SHEET MAY NOT BE TRANSFERRED FROM THE CUSTODY OF THE COMPETENT DIVISION OF R&D DEPARTMENT EXCEPT AS AUTHORIZED BY COMPAL ELECTRONICS, INC. NEITHER THIS SHEET NOR THE INFORMATION IT CONTAINS MAY BE USED BY OR DISCLOSED TO ANY THIRD PARTY WITHOUT PRIOR WRITTEN CONSENT OF COMPAL ELECTRONICS, INC.				PCH (4/9) LVDS,CRT,DP,HDMI Size: LA-6751P Customer: LA-6751P Date: Friday, November 26, 2010
			Rev	0.2
			Sheet	17 of 59

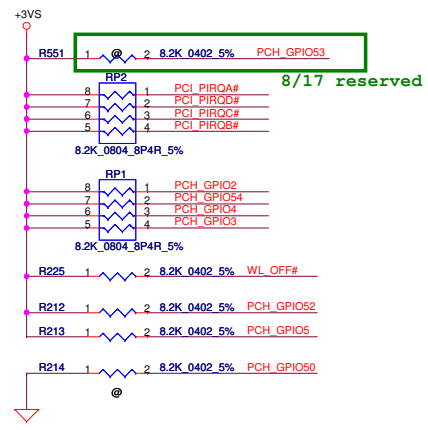
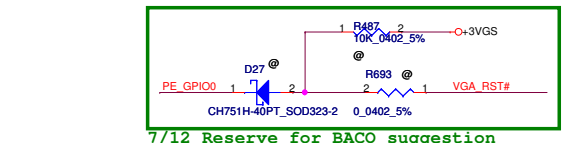
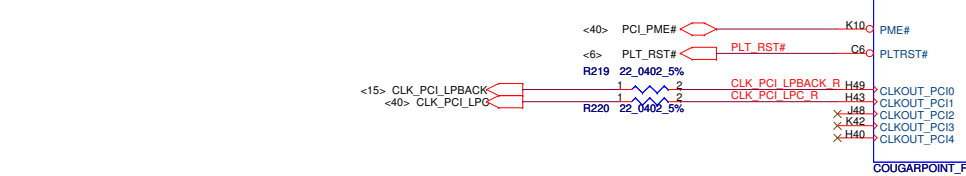


Table with 2 columns: Bit11, Bit10, Destination. Rows include Boot BIOS, Reserved, SPI (Default), and LPC.

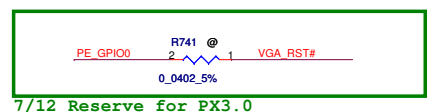
Table with 2 columns: PCI_GNT13#, Low=Al6 swap override/Top-Block Swap Override enabled, High=Default.



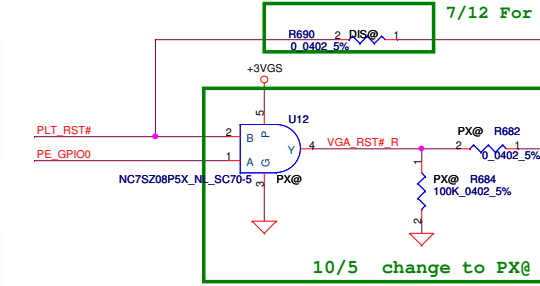
GPIO53=This Signal has a weak internal pull-up. NOTE: The internal pull-up is disabled after PLTRST# deasserts.



7/12 Reserve for BACO suggestion

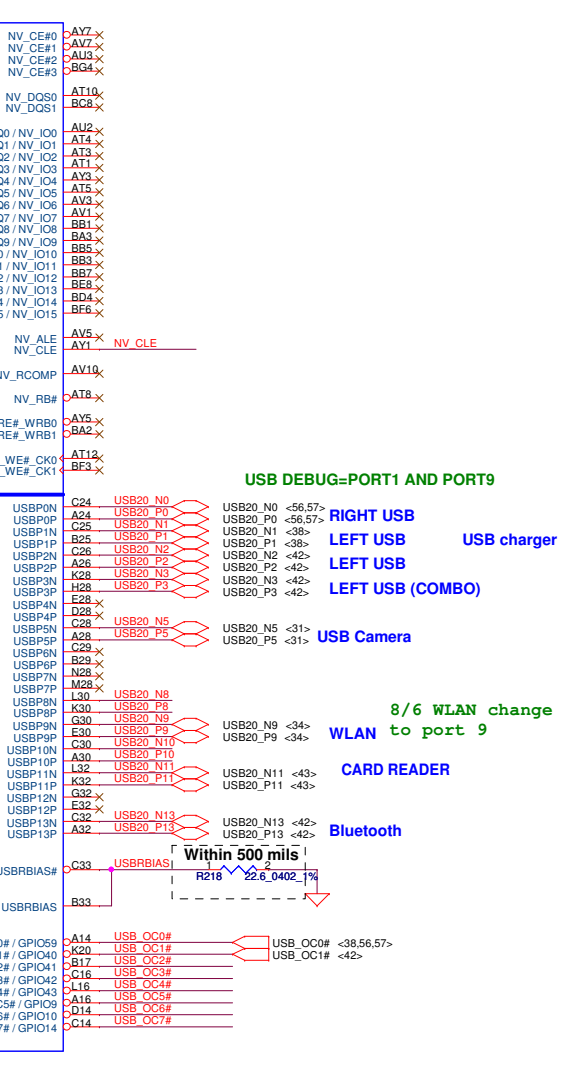
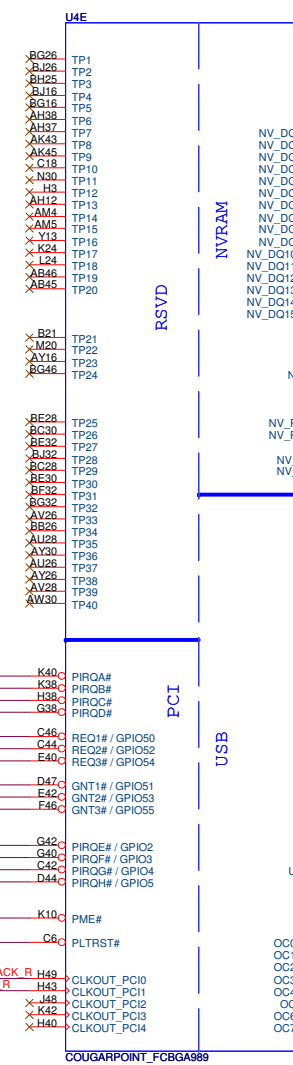


7/12 Reserve for PX3.0

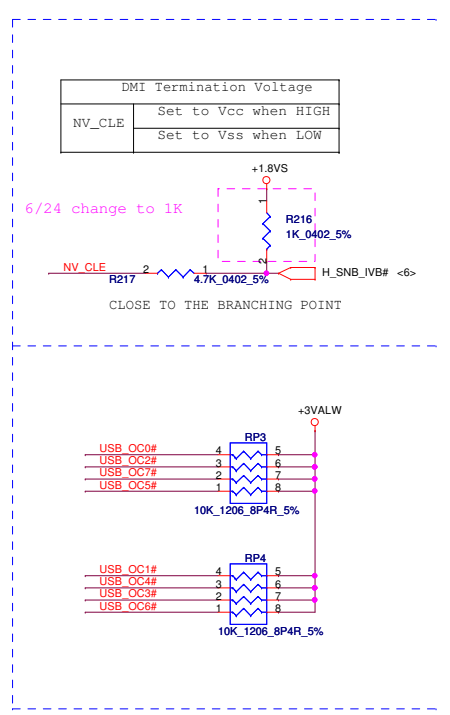


10/5 change to PX@

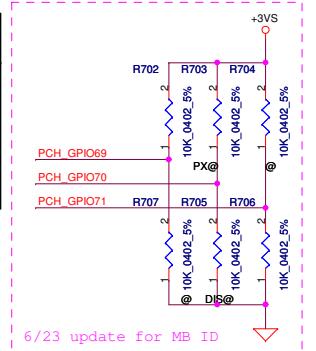
7/12 For DIS only



- USB DEBBUG=PORT1 AND PORT9
LEFT USB
LEFT USB (COMBO)
USB Camera
8/6 WLAN change
CARD READER
Bluetooth



PCH_GPIO69	PCH_GPIO70	PCH_GPIO71	Function
0	0	0	UMA
1	0	0	DIS
0	1	0	PX3.0
1	1	0	PX4.0 *



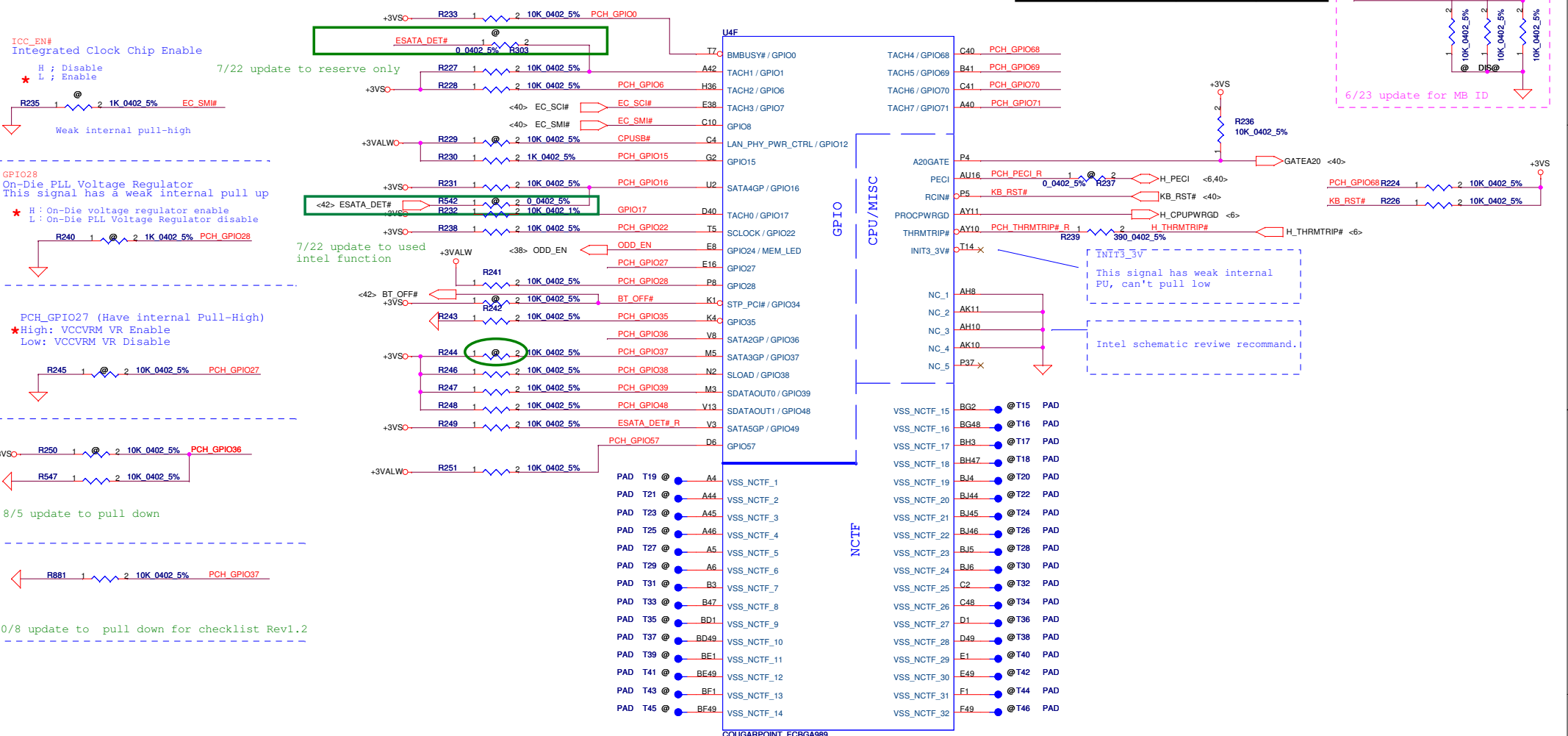
ICCN_EN#
Integrated Clock Chip Enable
H ; Disable
L ; Enable
★ ; Enable

GPIO28
On-Die PLL Voltage Regulator
This signal has a weak internal pull up
H : On-Die voltage regulator enable
L : On-Die PLL Voltage Regulator disable
★ ; Enable

PCH_GPIO27 (Have internal Pull-High)
★ High: VCCVRM VR Enable
Low: VCCVRM VR Disable

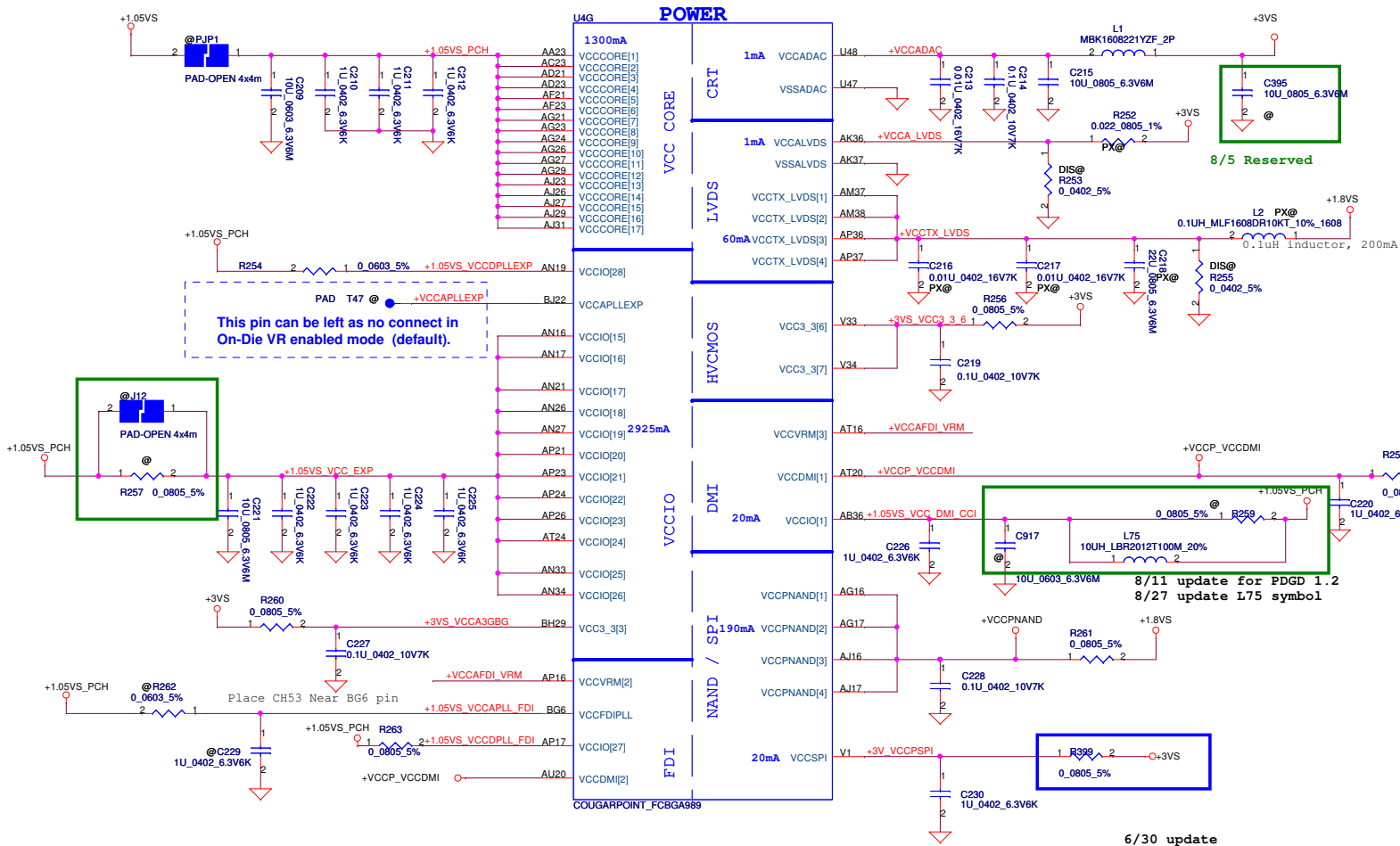
8/5 update to pull down

10/8 update to pull down for checklist Rev1.2



This signal has weak internal PU, can't pull low

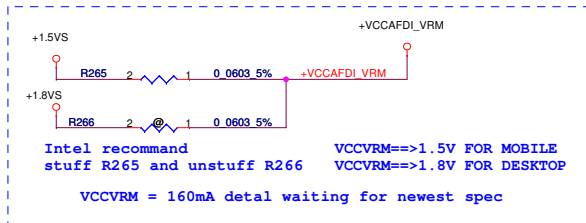
Intel schematic review recommend.



This pin can be left as no connect in On-Die VR enabled mode (default).

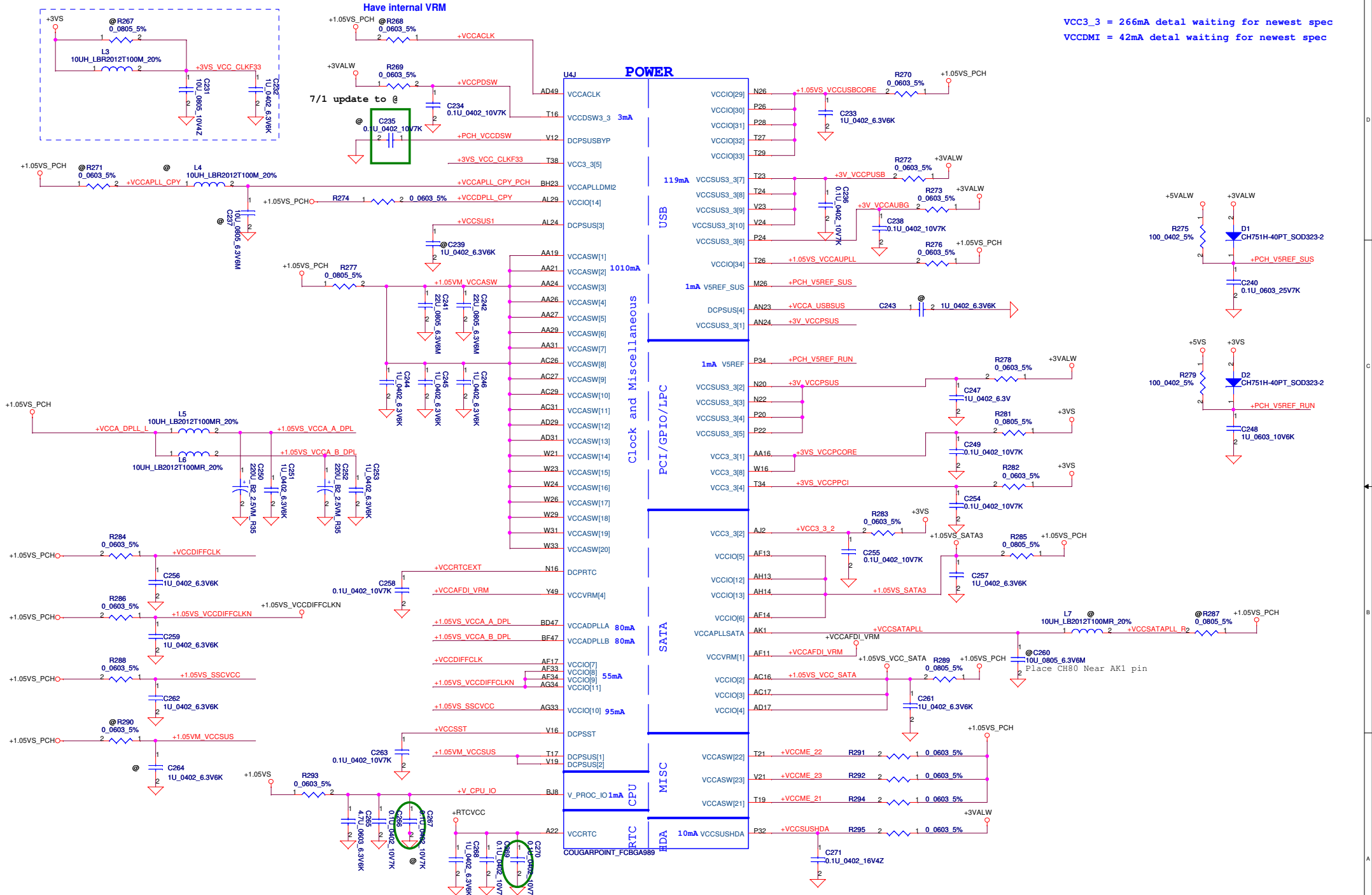
8/11 update for PDGD 1.2
8/27 update L75 symbol

6/30 update



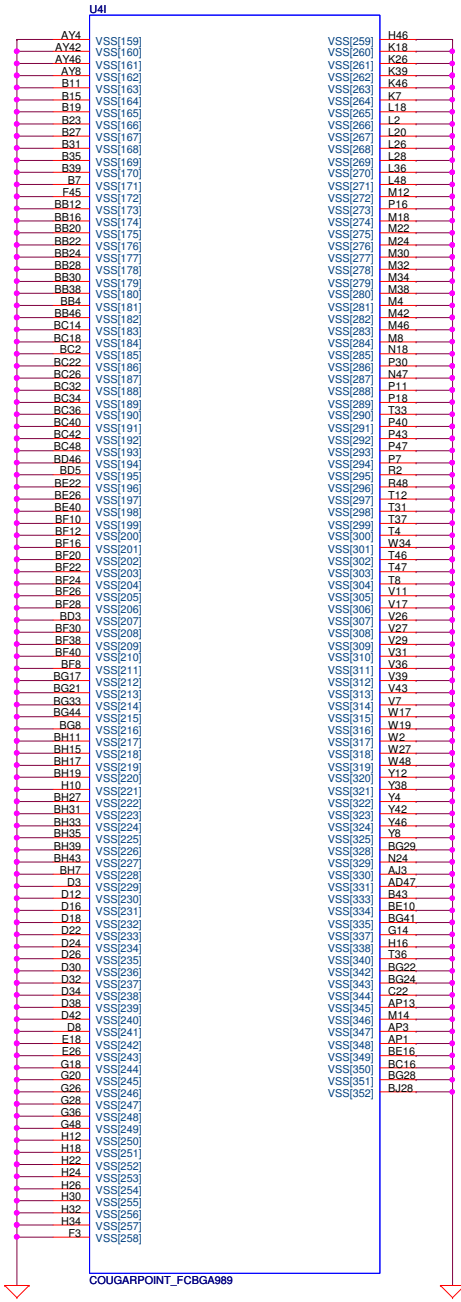
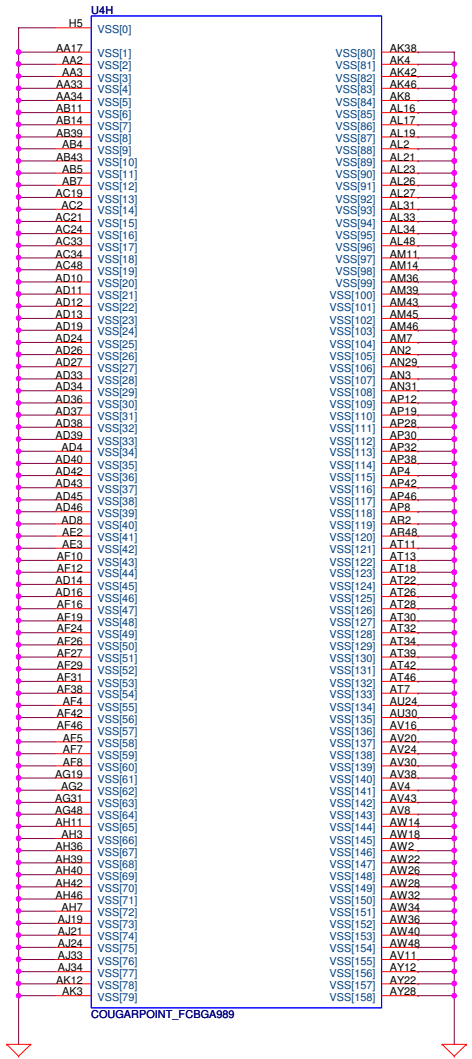
PCH Power Rail Table		
Voltage Rail	Voltage	SO Iccmax Current (A)
V_PROC_IO	1.05	0.001
V5REF	5	0.001
V5REF_Sus	5	0.001
Vcc3_3	3.3	0.266
VccADAC	3.3	0.001
VccADPLLA	1.05	0.08
VccADPLLB	1.05	0.08
VccCore	1.05	1.3
VccDMI	1.05	0.042
VccIO	1.05	2.925
VccASW	1.05	1.01
VccSPI	3.3	0.02
VccDSW	3.3	0.003
VccpNAND	1.8	0.19
VccRTC	3.3	6 uA
VccSus3_3	3.3	0.119
VccSusHDA	3.3 / 1.5	0.01
VccVRM	1.8 / 1.5	0.16
VccCLKDMI	1.05	0.02
VccSSC	1.05	0.095
VccDIFFCLKN	1.05	0.055
VccALVDS	3.3	0.001
VccTX_LVDS	1.8	0.06

VCC3_3 = 266mA detail waiting for newest spec
VCCDMI = 42mA detail waiting for newest spec



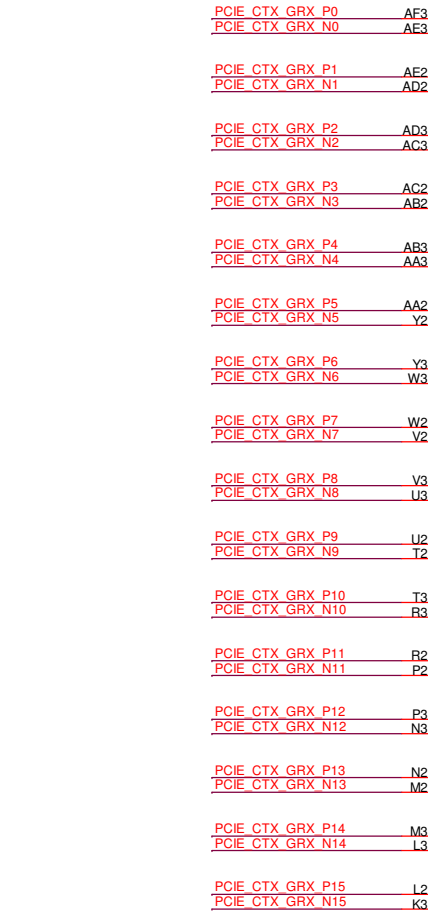
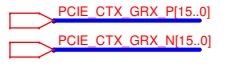
Security Classification	Compal Secret Data	
Issued Date	2010/07/12	Deciphered Date
		2012/07/11
THIS SHEET OF ENGINEERING DRAWING IS THE PROPRIETARY PROPERTY OF COMPAL ELECTRONICS, INC. AND CONTAINS CONFIDENTIAL AND TRADE SECRET INFORMATION. THIS SHEET MAY NOT BE TRANSFERRED FROM THE CUSTODY OF THE COMPETENT DIVISION OF R&D DEPARTMENT EXCEPT AS AUTHORIZED BY COMPAL ELECTRONICS, INC. NEITHER THIS SHEET NOR THE INFORMATION IT CONTAINS MAY BE USED BY OR DISCLOSED TO ANY THIRD PARTY WITHOUT PRIOR WRITTEN CONSENT OF COMPAL ELECTRONICS, INC.		

Title			Compal Electronics, Inc.		
			PCH (8/9) PWR		
Size	Document Number	Rev			
Custom	LA-6751P	0.2			
Date:	Friday, November 26, 2010	Sheet	21	of	59



Security Classification	Compal Secret Data			Compal Electronics, Inc. PCH (9/9) VSS			
Issued Date	2010/07/12	Deciphered Date	2012/07/11				
<small>THIS SHEET OF ENGINEERING DRAWING IS THE PROPRIETARY PROPERTY OF COMPAL ELECTRONICS, INC. AND CONTAINS CONFIDENTIAL AND TRADE SECRET INFORMATION. THIS SHEET MAY NOT BE TRANSFERRED FROM THE CUSTODY OF THE COMPETENT DIVISION OF R&D DEPARTMENT EXCEPT AS AUTHORIZED BY COMPAL ELECTRONICS, INC. NEITHER THIS SHEET NOR THE INFORMATION IT CONTAINS MAY BE USED BY OR DISCLOSED TO ANY THIRD PARTY WITHOUT PRIOR WRITTEN CONSENT OF COMPAL ELECTRONICS, INC.</small>				Title PCH (9/9) VSS	Size Custom	Document Number LA-6751P	Rev 0.2
				Date:	Friday, November 26, 2010	Sheet:	22 of 59

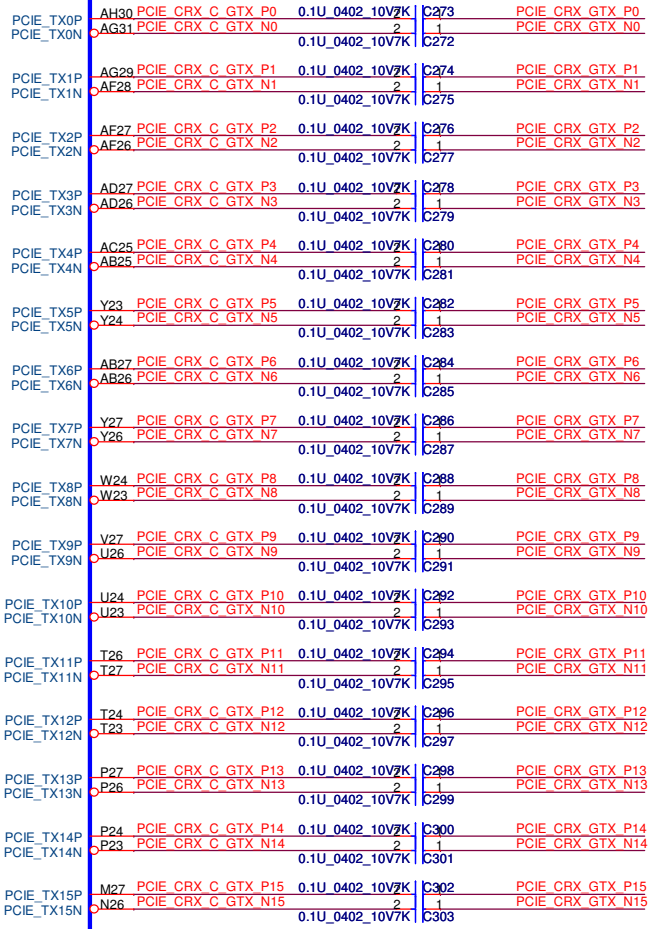
<5> PCIE_CTX_GRX_P[15..0]
 <5> PCIE_CTX_GRX_N[15..0]



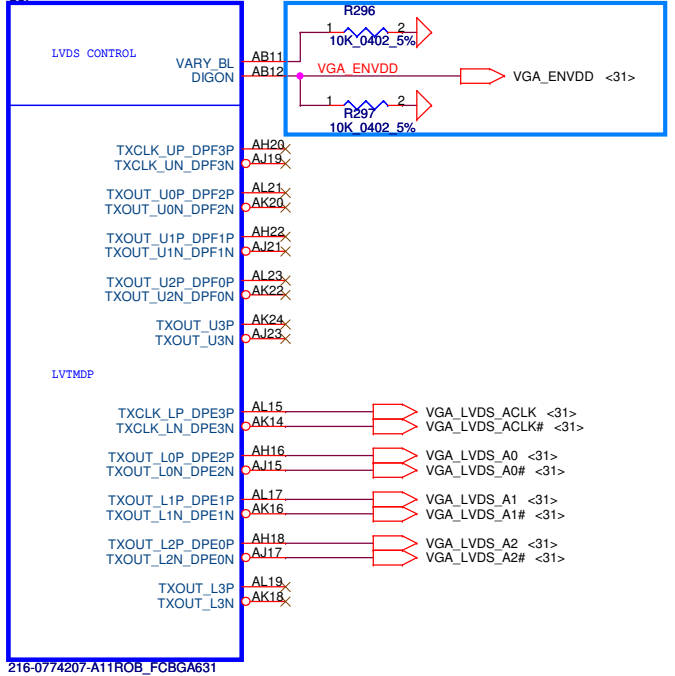
U8A

PCI EXPRESS INTERFACE

PCIE_CRX_GTX_P[15..0] <-5>
 PCIE_CRX_GTX_N[15..0] <-5>

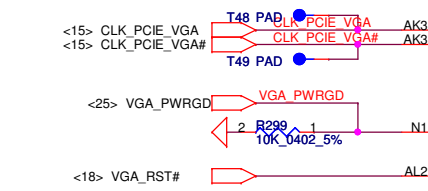


U8F



216-0774207-A11ROB_FCBGA631

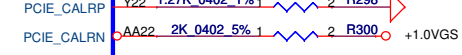
LVDS



CLOCK



CALIBRATION

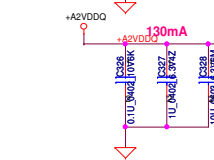
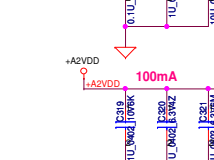
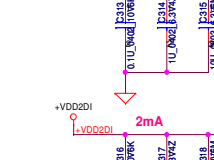
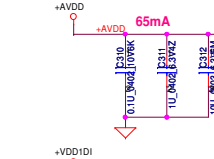
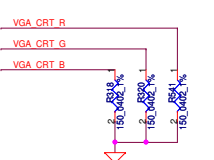
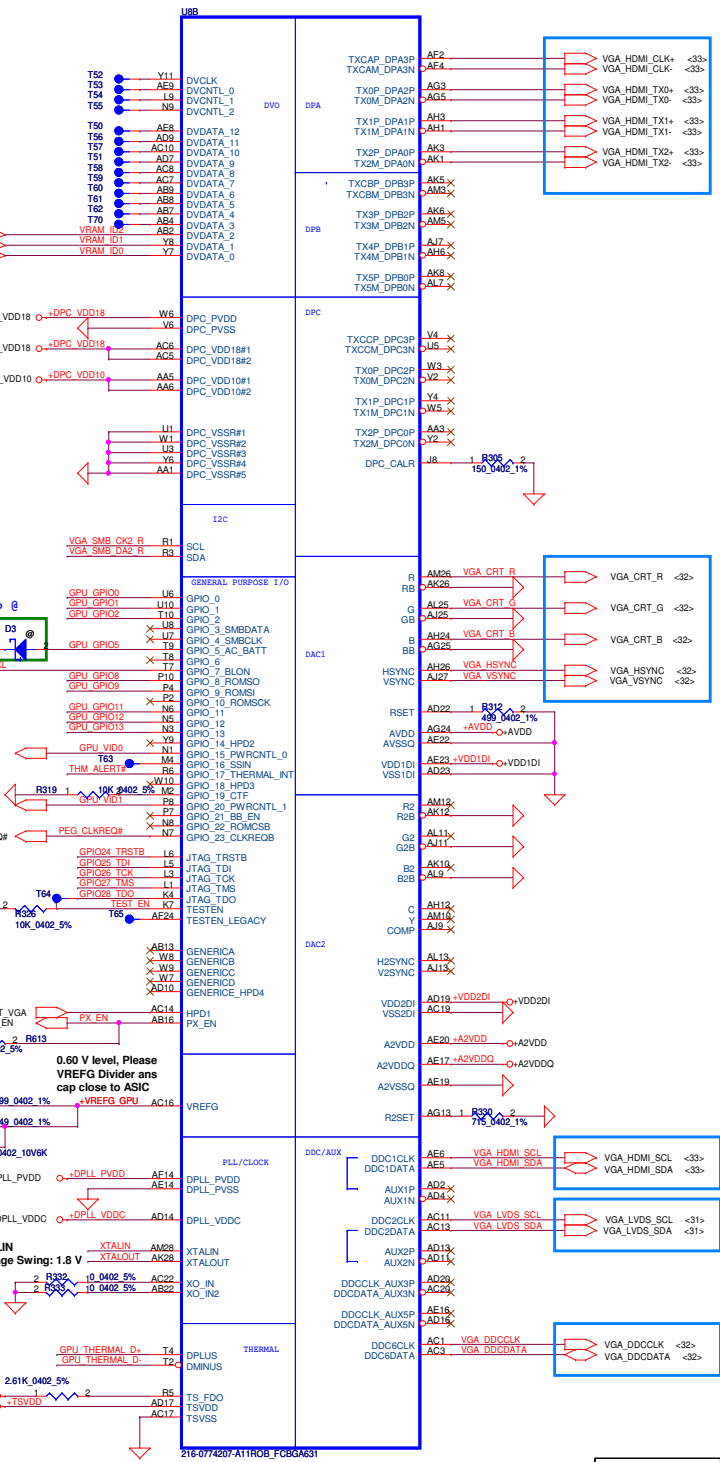
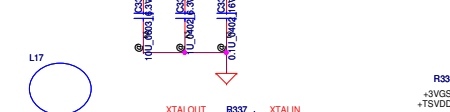
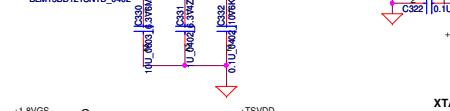
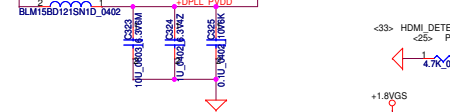
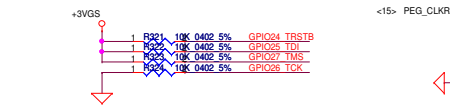
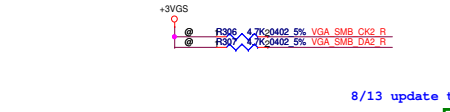
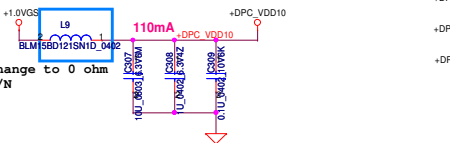
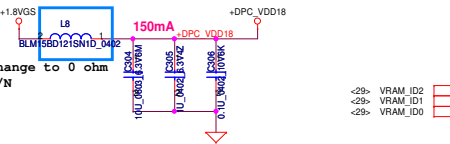


216-0774207-A11ROB_FCBGA631

PCIE LANE

Security Classification		Compal Secret Data		Compal Electronics, Inc.	
Issued Date	2010/07/12	Deciphered Date	2012/07/11	Title	
THIS SHEET OF ENGINEERING DRAWING IS THE PROPRIETARY PROPERTY OF COMPAL ELECTRONICS, INC. AND CONTAINS CONFIDENTIAL AND TRADE SECRET INFORMATION. THIS SHEET MAY NOT BE TRANSFERRED FROM THE CUSTODY OF THE COMPETENT DIVISION OF R&D DEPARTMENT EXCEPT AS AUTHORIZED BY COMPAL ELECTRONICS, INC. NEITHER THIS SHEET NOR THE INFORMATION IT CONTAINS MAY BE USED BY OR DISCLOSED TO ANY THIRD PARTY WITHOUT PRIOR WRITTEN CONSENT OF COMPAL ELECTRONICS, INC.				RobsonXT-S3 PCIE/LVDS	
Size B	Document Number			Rev	0.1
Date:	Friday, November 26, 2010	Sheet	23	of 59	

TX_PWRS_ENB	GPIO0	Transmitter Power Saving Enable 0: 50% Tx output swing for mobile mode 1: full Tx output swing (Default setting for Desktop)
TX_DEEMPH_EN	GPIO1	PCI Express Transmitter De-emphasis Enable 0: Tx de-emphasis disabled for mobile mode 1: Tx de-emphasis enabled (Default setting for desktop)



CONFIGURATION STRAPS

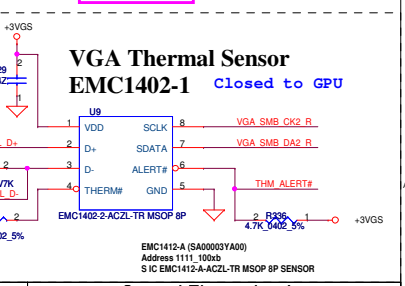
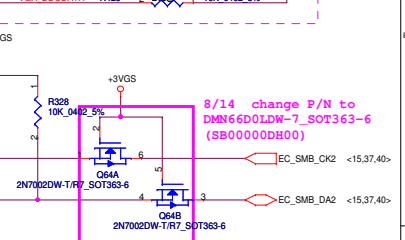
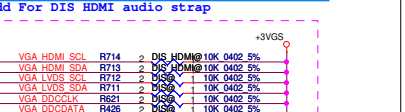
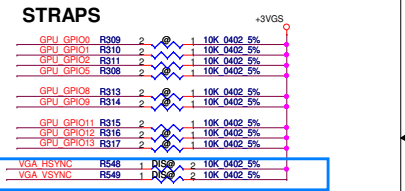
ALLOW FOR PULLUP PADS FOR THESE STRAPS AND IF THESE GPIOs ARE USED, THEY MUST NOT CONFLICT DURING RESET

STRAPS	PIN	DESCRIPTION OF DEFAULT SETTINGS	RECOMMENDED SETTINGS
TX_PWRS_ENB	GPIO0	POE FULL TX OUTPUT SWING	X
TX_DEEMPH_EN	GPIO1	POE TRANSMITTER DE-EMPHASIS ENABLED	X
RSVD	GPIO2	RESERVED	0
RSVD	GPIO8	RESERVED	0
BIF_VGA_DIS	GPIO9	VGA ENABLED	0
RSVD	GPIO21	RESERVED	0
BIOS_ROM_EN	GPIO_22_ROMCSB	ENABLE EXTERNAL BIOS ROM	X
ROMIDCFG(2:0)	GPIO[13:11]	SERIAL ROM TYPE OR MEMORY APERTURE SIZE SELECT	XXX
VIP_DEVICE_STRAP_ENA	V2SYNC	IGNORE VIP DEVICE STRAPS	0
RSVD	H2SYNC		0
RSVD	GENERICC		0
AUD[0]	HSYNC	AUD[0] AUD[0] 0 0 No audio function 0 1 Audio for DisplayPort and HDMI if dongle is detected 1 0 Audio for DisplayPort only 1 1 Audio for both DisplayPort and HDMI	11

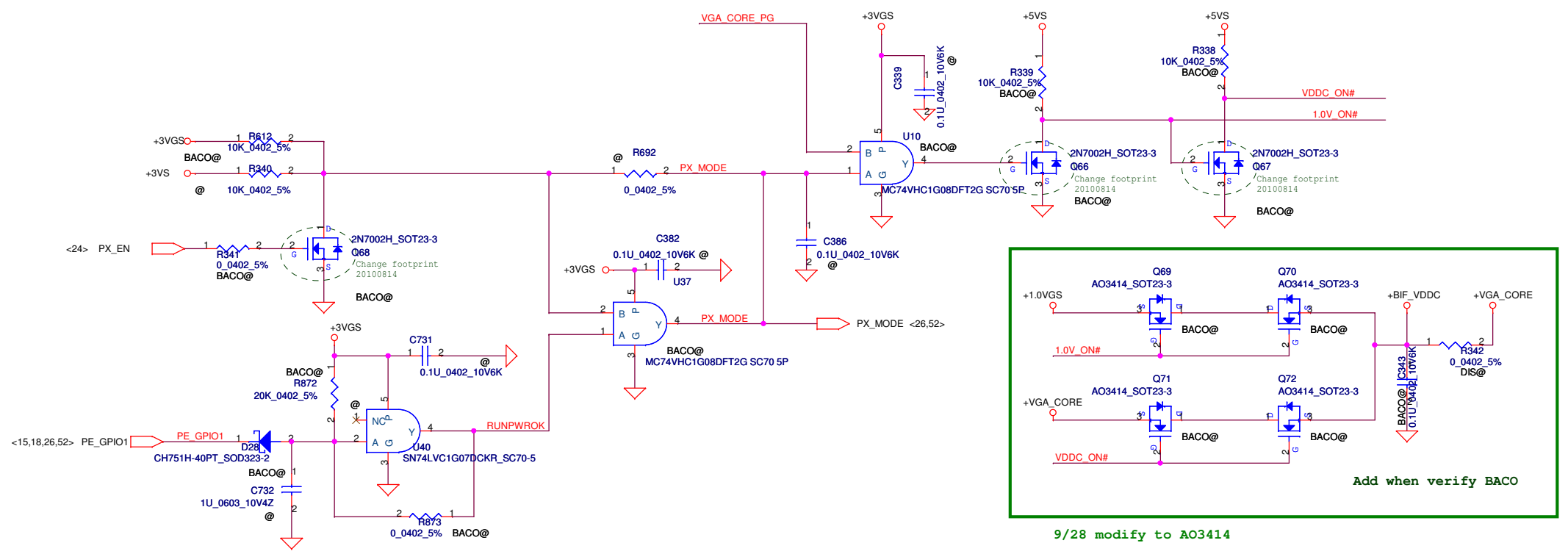
AMD RESERVED CONFIGURATION STRAPS

ALLOW FOR PULLUP PADS FOR THESE STRAPS BUT DO NOT INSTALL RESISTOR. IF THESE GPIOs ARE USED, THEY MUST KEEP "LOW" AND NOT CONFLICT DURING RESET

GPIO21	H2SYNC	GENERICC	GPIO2	GPIO8
--------	--------	----------	-------	-------



<52> VGA_CORE_PG @ 0_0402_5% R669 1 2 VGA_PWRGD <23>

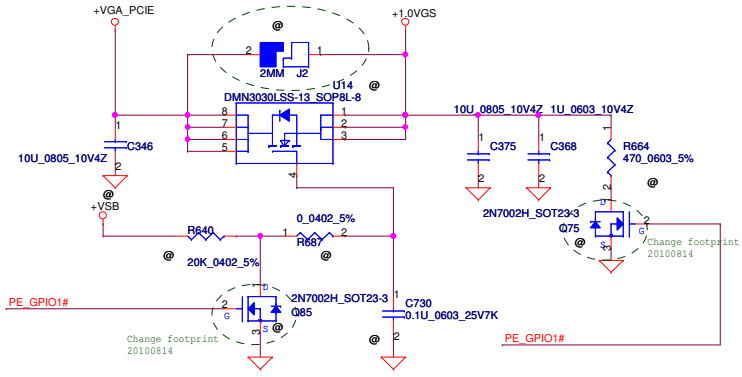


D28 with leakage need to check

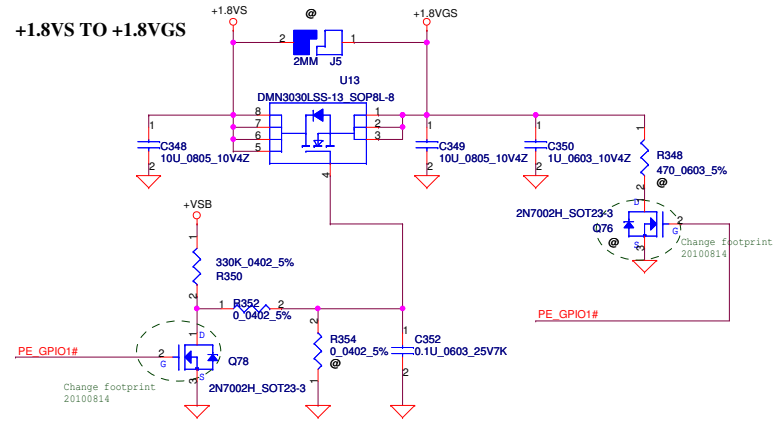
Security Classification		Compal Secret Data		Compal Electronics, Inc.	
Issued Date	2010/07/12	Deciphered Date	2012/07/11	Title PARK-S3 Main Generic/MSIC	
THIS SHEET OF ENGINEERING DRAWING IS THE PROPRIETARY PROPERTY OF COMPAL ELECTRONICS, INC. AND CONTAINS CONFIDENTIAL AND TRADE SECRET INFORMATION. THIS SHEET MAY NOT BE TRANSFERRED FROM THE CUSTODY OF THE COMPETENT DIVISION OF R&D DEPARTMENT EXCEPT AS AUTHORIZED BY COMPAL ELECTRONICS, INC. NEITHER THIS SHEET NOR THE INFORMATION IT CONTAINS MAY BE USED BY OR DISCLOSED TO ANY THIRD PARTY WITHOUT PRIOR WRITTEN CONSENT OF COMPAL ELECTRONICS, INC.				Size B	Document Number LA-6751P
				Date: Friday, November 26, 2010	Sheet 25 of 59

+VGA_PCIE TO +1.0VGS

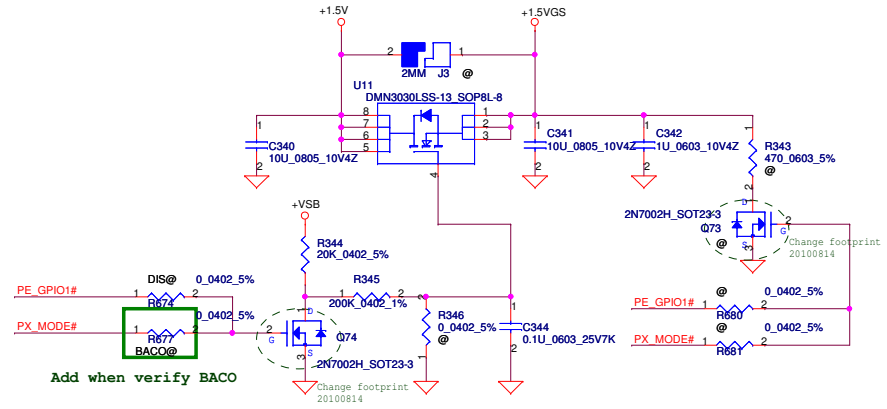
Short J2 for control sequence at PWM



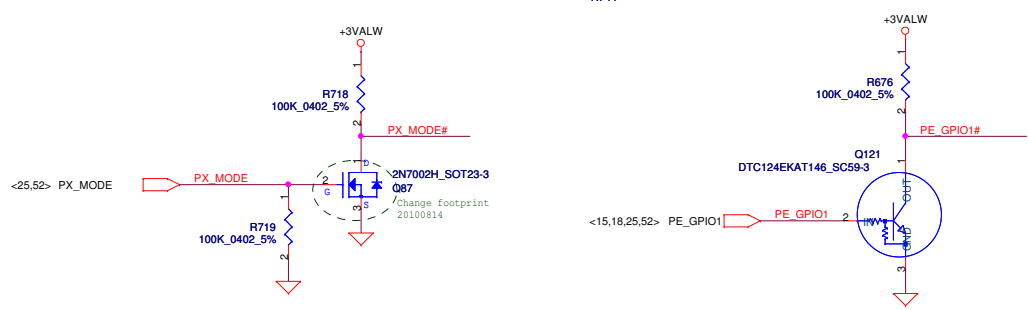
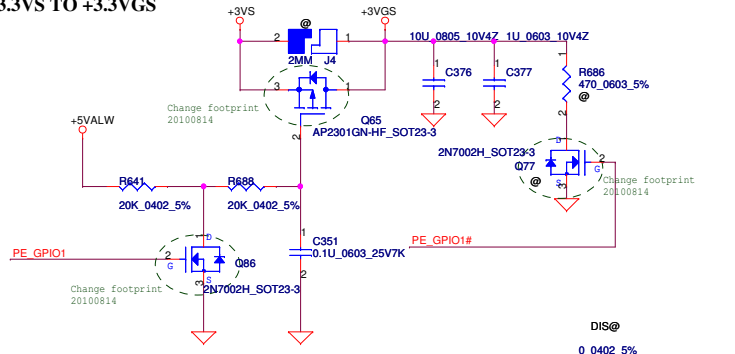
+1.8VS TO +1.8VGS



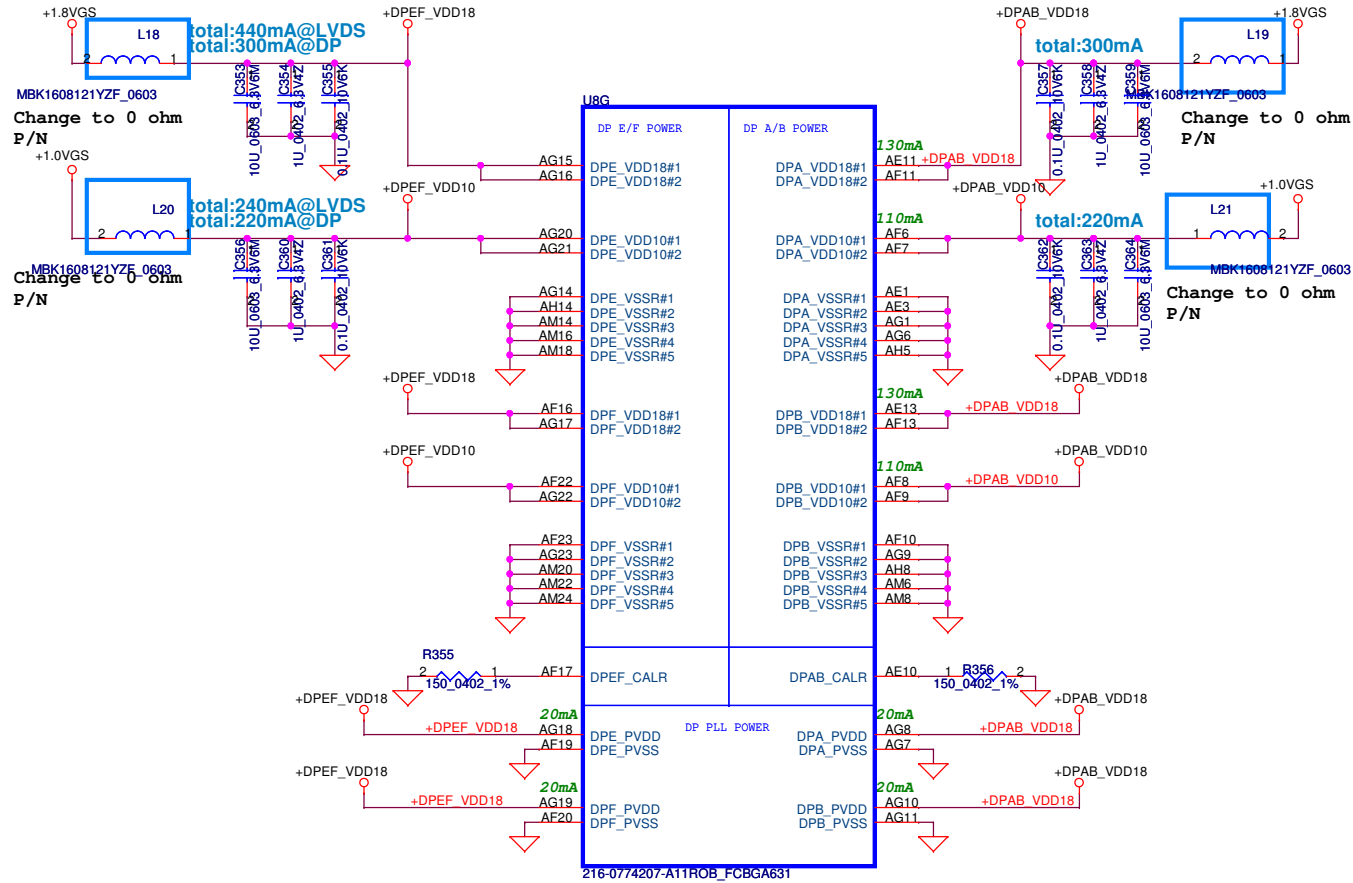
+1.5VS TO +1.5VGS



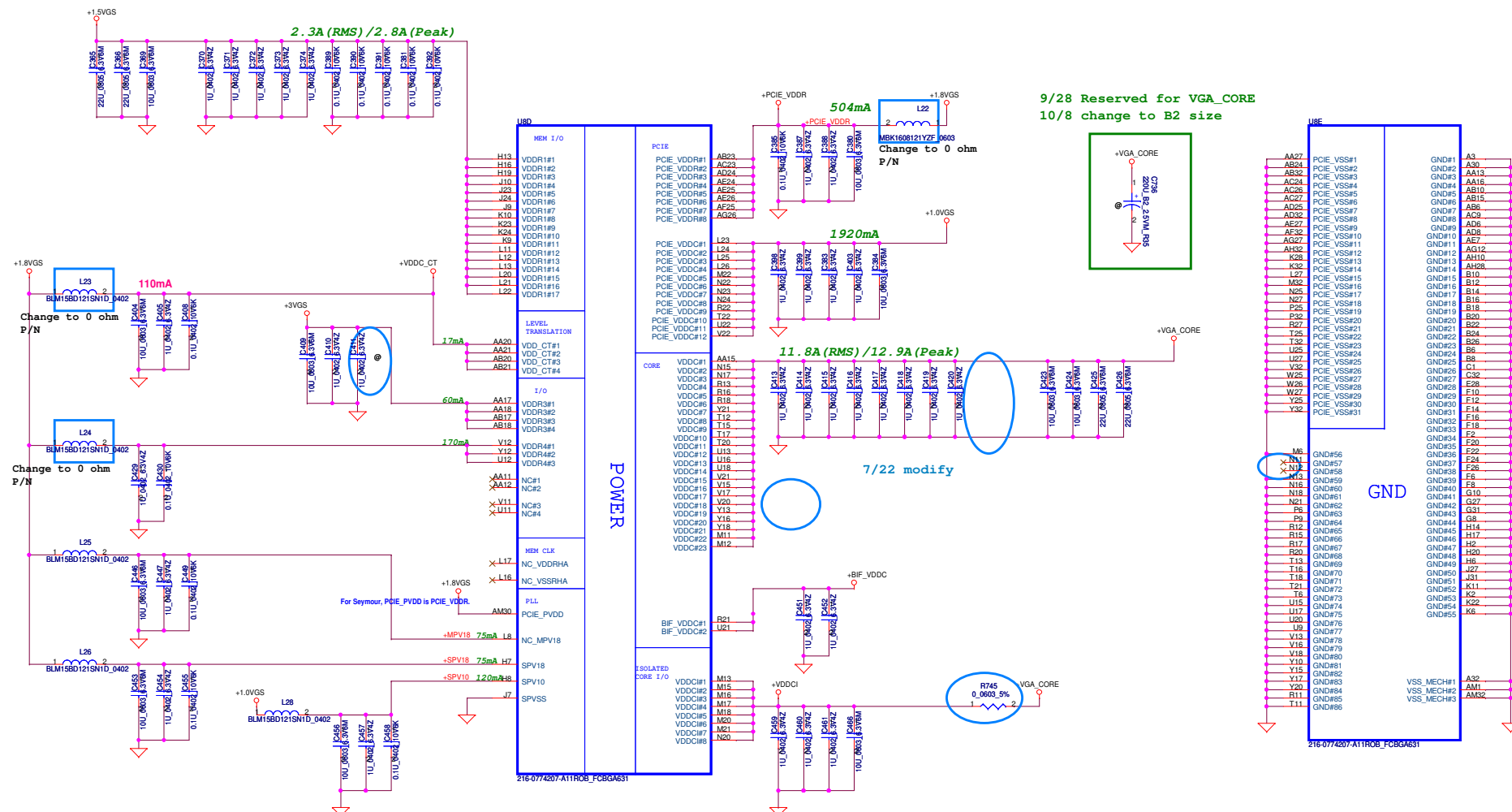
+3.3VS TO +3.3VGS



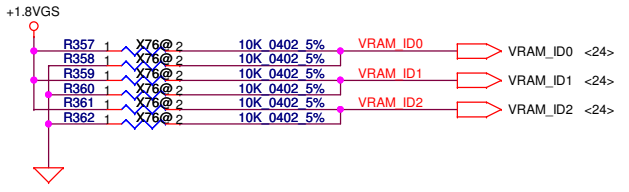
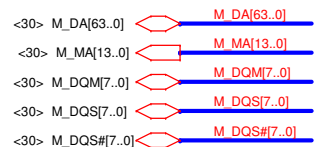
Security Classification	Compal Secret Data		Compal Electronics, Inc.	
Issued Date	2010/07/12	Deciphered Date	2012/07/11	
THIS SHEET OF ENGINEERING DRAWING IS THE PROPRIETARY PROPERTY OF COMPAL ELECTRONICS, INC. AND CONTAINS CONFIDENTIAL AND TRADE SECRET INFORMATION. THIS SHEET MAY NOT BE TRANSFERRED FROM THE CUSTODY OF THE COMPETENT DIVISION OF R&D DEPARTMENT EXCEPT AS AUTHORIZED BY COMPAL ELECTRONICS, INC. NEITHER THIS SHEET NOR THE INFORMATION IT CONTAINS MAY BE USED BY OR DISCLOSED TO ANY THIRD PARTY WITHOUT PRIOR WRITTEN CONSENT OF COMPAL ELECTRONICS, INC.				
Size	Document Number	Rev	Title	
Custom	LA-6751P	0.1	PARK-S3 Main Generic/MSIC	
Date:	Friday, November 26, 2010	Sheet	26	of 59



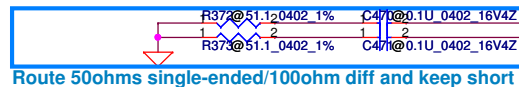
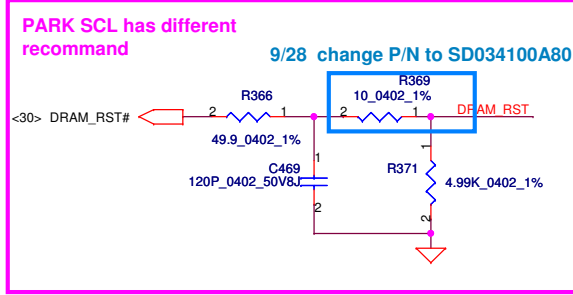
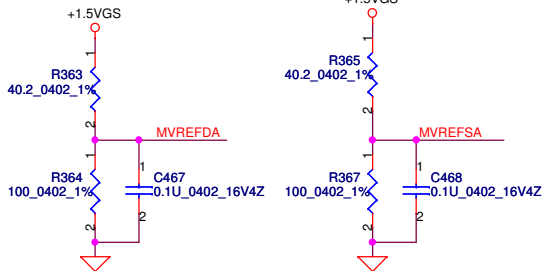
Security Classification	Compal Secret Data			Compal Electronics, Inc.	
Issued Date	2010/07/12	Deciphered Date	2012/07/11	Title RobsonXT-S3 DP PWR	
THIS SHEET OF ENGINEERING DRAWING IS THE PROPRIETARY PROPERTY OF COMPAL ELECTRONICS, INC. AND CONTAINS CONFIDENTIAL AND TRADE SECRET INFORMATION. THIS SHEET MAY NOT BE TRANSFERRED FROM THE CUSTODY OF THE COMPETENT DIVISION OF R&D DEPARTMENT EXCEPT AS AUTHORIZED BY COMPAL ELECTRONICS, INC. NEITHER THIS SHEET NOR THE INFORMATION IT CONTAINS MAY BE USED BY OR DISCLOSED TO ANY THIRD PARTY WITHOUT PRIOR WRITTEN CONSENT OF COMPAL ELECTRONICS, INC.				Size B	Rev 0.1
				Date: Friday, November 26, 2010	



Security Classification	Compal Secret Data		Compal Electronics, Inc.	
Issued Date	2010/07/12	Deciphered Date	2012/07/11	Title
THIS SHEET OF ENGINEERING DRAWINGS IS THE PROPRIETARY PROPERTY OF COMPAL ELECTRONICS, INC. AND CONTAINS CONFIDENTIAL AND TRADE SECRET INFORMATION. THIS SHEET MAY NOT BE TRANSFERRED FROM THE CUSTODY OF THE COMPETENT DIVISION OF R&D DEPARTMENT EXCEPT AS AUTHORIZED BY COMPAL ELECTRONICS, INC. NEITHER THIS SHEET NOR THE INFORMATION IT CONTAINS MAY BE USED BY OR DISCLOSED TO ANY THIRD PARTY WITHOUT PRIOR WRITTEN CONSENT OF COMPAL ELECTRONICS, INC.				RobsonXT-S3 PWR/GND
Size	C	Document Number		Rev
Date:	Friday, November 26, 2010	Sheet	28	of 59



Vendor	VRAM_ID0	VRAM_ID1	VRAM_ID2
Hynix 512MB PN:SA000032460	R357	R360	R362
Samsung 512MB PN:SA000035700	R358	R359	R362
Hynix 1GB PN:SA00003VS20	R357	R360	R361
Samsung 1GB PN:SA00003MQ20	R358	R359	R361

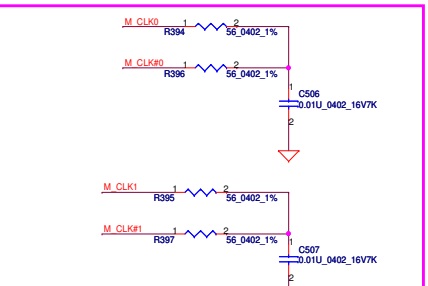
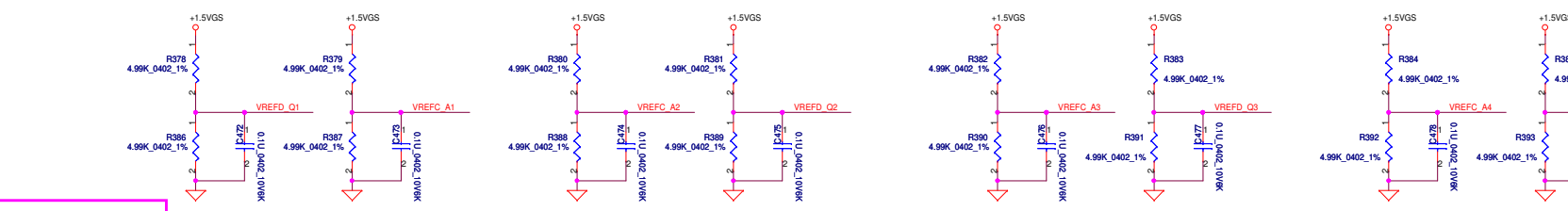
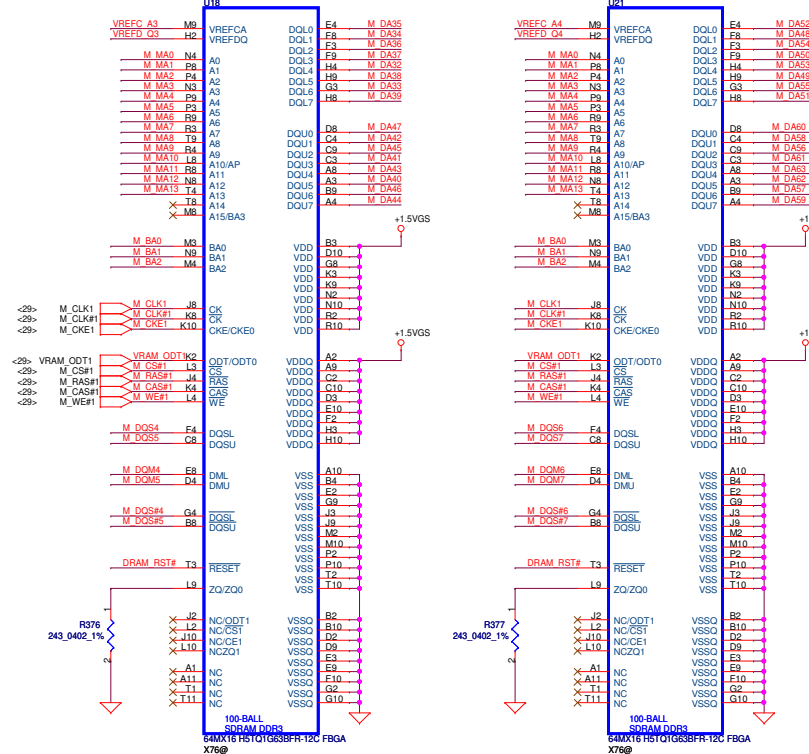
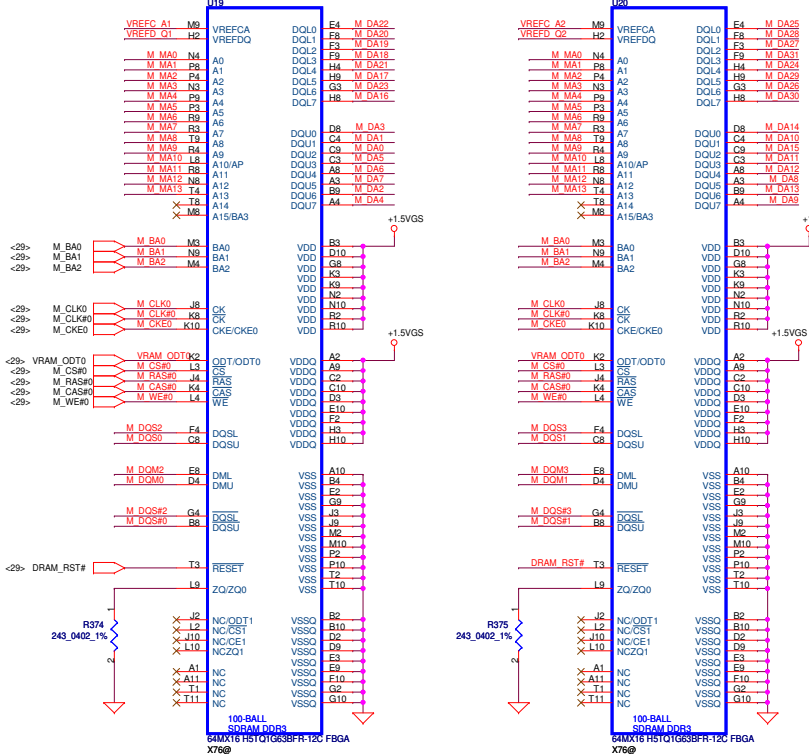
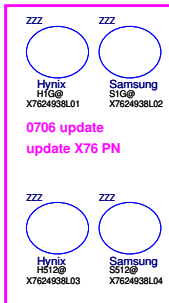


Route 50ohms single-ended/100ohm diff and keep short debug only, for clock observation, if not need, DNI.

Security Classification	Compal Secret Data		Title	Compal Electronics, Inc.	
Issued Date	2010/07/12	Deciphered Date	2012/07/11	RobsonXT-S3 MEM Interface	
THIS SHEET OF ENGINEERING DRAWING IS THE PROPRIETARY PROPERTY OF COMPAL ELECTRONICS, INC. AND CONTAINS CONFIDENTIAL AND TRADE SECRET INFORMATION. THIS SHEET MAY NOT BE TRANSFERRED FROM THE CUSTODY OF THE COMPETENT DIVISION OF R&D DEPARTMENT EXCEPT AS AUTHORIZED BY COMPAL ELECTRONICS, INC. NEITHER THIS SHEET NOR THE INFORMATION IT CONTAINS MAY BE USED BY OR DISCLOSED TO ANY THIRD PARTY WITHOUT PRIOR WRITTEN CONSENT OF COMPAL ELECTRONICS, INC.					
Date:	Friday, November 26, 2010	Sheet	29	of	59

Title		Compal Electronics, Inc.	
RobsonXT-S3 MEM Interface			
Size B	Document Number	Rev 0.2	
Date:	Friday, November 26, 2010	Sheet	29 of 59

- <29> M_DA[63..0] M_DA63_0
- <29> M_MA[13..0] M_MA13_0
- <29> M_DQM[7..0] M_DQM7_0
- <29> M_DQS[7..0] M_DQS7_0
- <29> M_DQS#[7..0] M_DQS#7_0

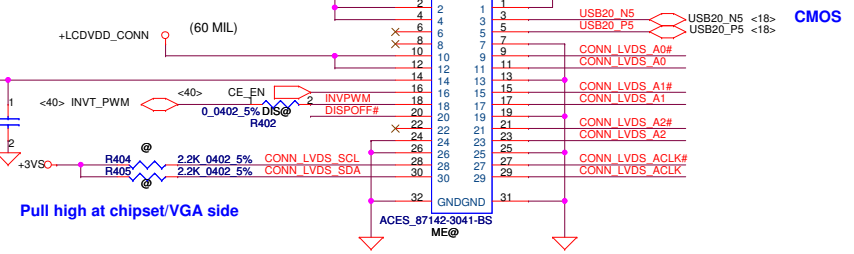
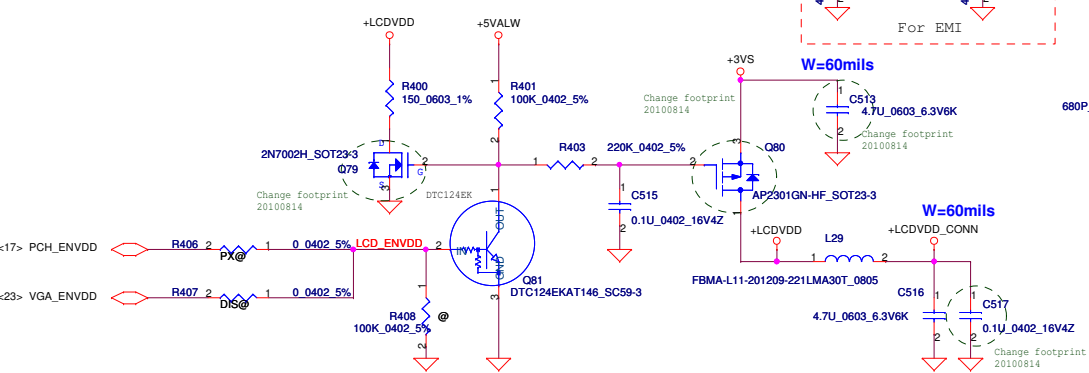


VRAM P/N :
 Hynix : SA000041S10 (S IC D3 64MX16 H5TQ1G63BFR-11C FBGA C38!)
 Samsung : SA000041T10 (S IC D3 64MX16 K4W1G1646-HC11 FBGA C38!)
 update VRAM PN 0619 update

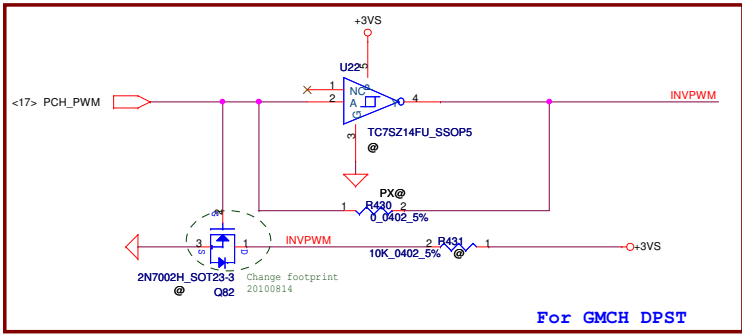
ref 139-02 recommend
 add off page
 Park SCL recommend pu 60.4 ohm to
 0619 update

Security Classification	Compal Secret Data		Compal Electronics, Inc.	
Issued Date	2010/07/12	Deciphered Date	2012/07/11	
THIS SHEET OF ENGINEERING DRAWING IS THE PROPRIETARY PROPERTY OF COMPAL ELECTRONICS, INC. AND CONTAINS CONFIDENTIAL AND TRADE SECRET INFORMATION. THIS SHEET MAY NOT BE TRANSFERRED FROM THE CUSTODY OF THE COMPETENT DIVISION OF R&D DEPARTMENT EXCEPT AS AUTHORIZED BY COMPAL ELECTRONICS, INC. NEITHER THIS SHEET NOR THE INFORMATION IT CONTAINS MAY BE USED BY OR DISCLOSED TO ANY THIRD PARTY WITHOUT PRIOR WRITTEN CONSENT OF COMPAL ELECTRONICS, INC.			Title	RobsonXT-S3 VRAM
Size	C	Document Number		Rev 0.2
Date:	Friday, November 26, 2010	Sheet	30	of 59

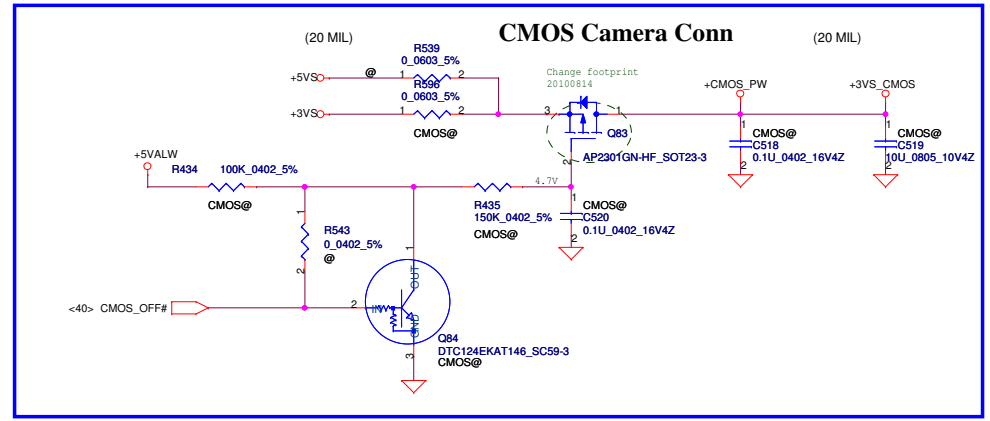
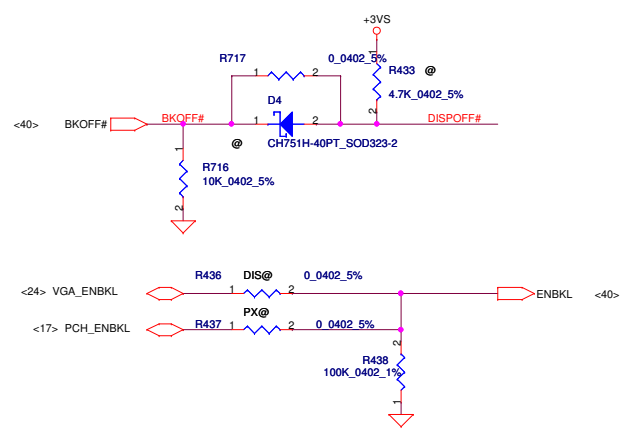
LCD POWER CIRCUIT



- <17> PCH_ENVDD
- <23> VGA_ENVDD
- <24> VGA_LVDS_SCL
- <24> VGA_LVDS_SDA
- <23> VGA_LVDS_A0
- <23> VGA_LVDS_A0#
- <23> VGA_LVDS_A1
- <23> VGA_LVDS_A1#
- <23> VGA_LVDS_A2
- <23> VGA_LVDS_A2#
- <23> VGA_LVDS_ACLK
- <23> VGA_LVDS_ACLK#
- <17> EDID_CLK
- <17> EDID_DATA
- <17> LVDS_A0
- <17> LVDS_A0#
- <17> LVDS_A1
- <17> LVDS_A1#
- <17> LVDS_A2
- <17> LVDS_A2#
- <17> LVDS_ACLK
- <17> LVDS_ACLK#

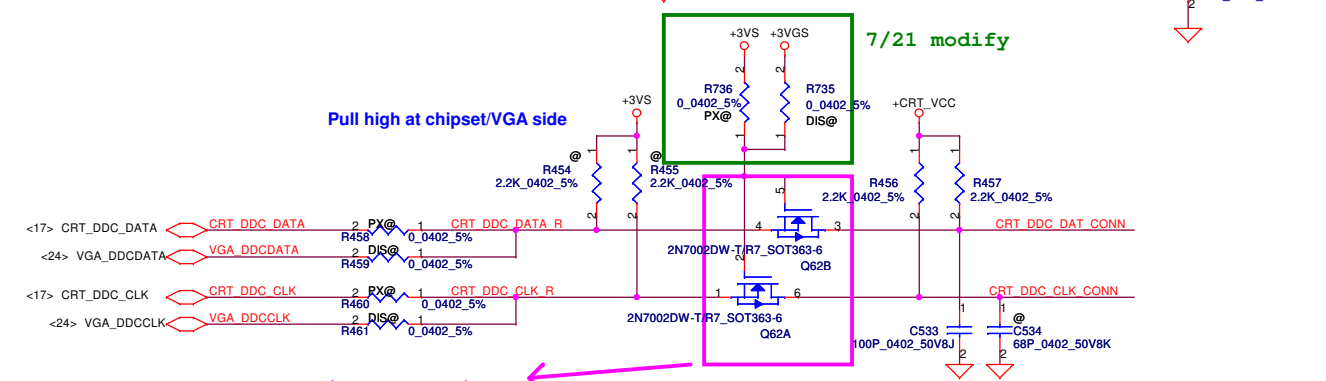
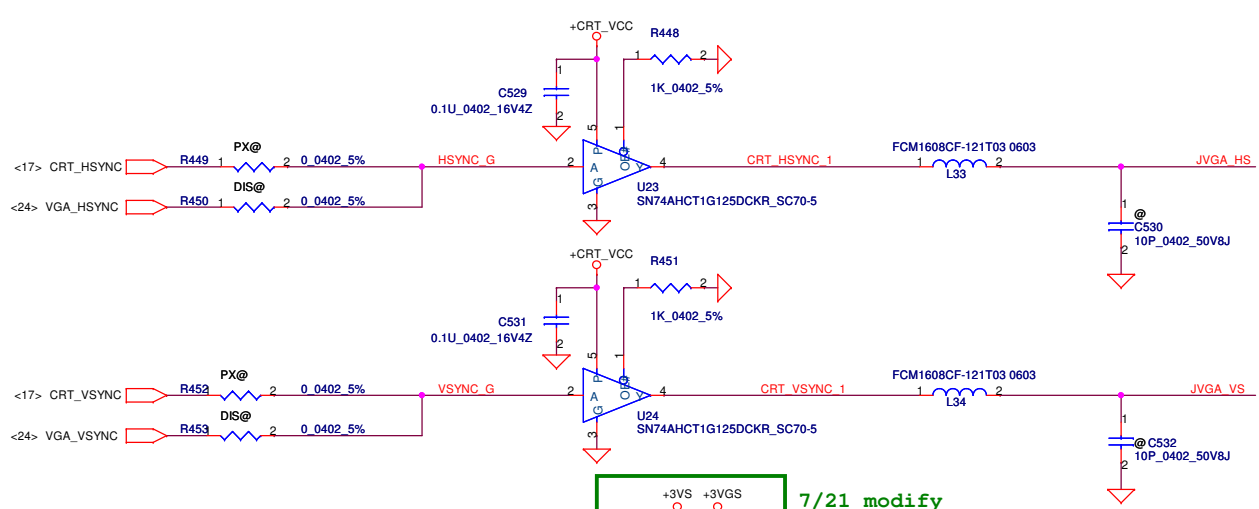
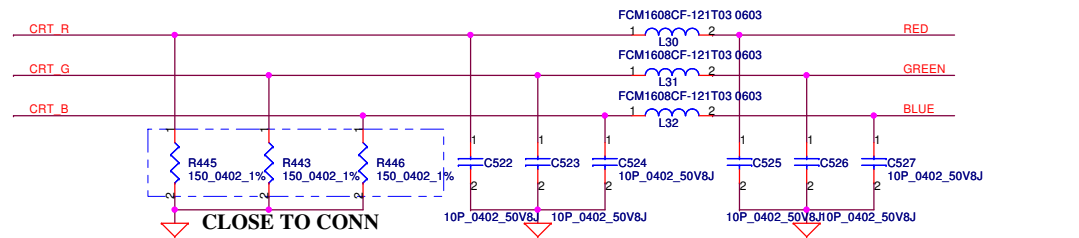
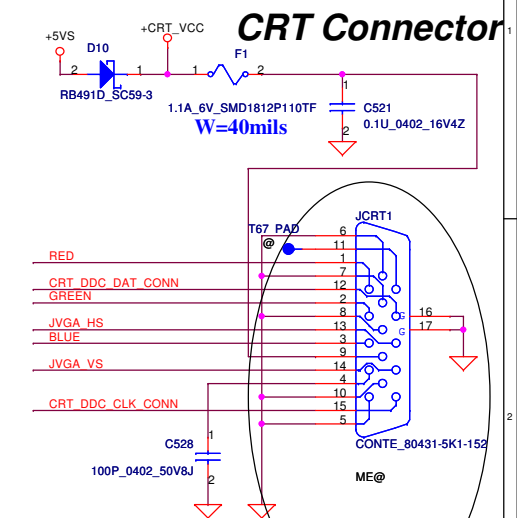
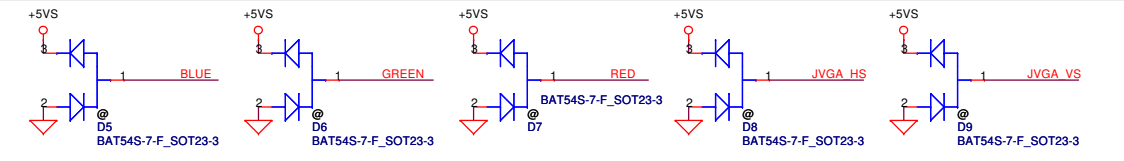
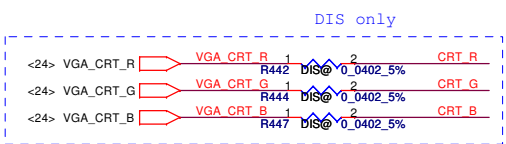
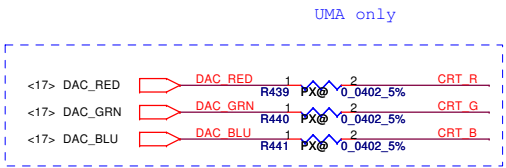


For GMCH DPST



Security Classification		Compal Secret Data		Title	
Issued Date	2010/07/12	Deciphered Date	2012/07/11	Compal Electronics, Inc.	
				LVDS/CAMERA	
Size	Document Number	Date		Rev	
B	LA-6751P	Friday, November 26, 2010		0.2	
				1	Sheet 31 of 59

THIS SHEET OF ENGINEERING DRAWING IS THE PROPRIETARY PROPERTY OF COMPAL ELECTRONICS, INC. AND CONTAINS CONFIDENTIAL AND TRADE SECRET INFORMATION. THIS SHEET MAY NOT BE TRANSFERRED FROM THE CUSTODY OF THE COMPETENT DIVISION OF R&D DEPARTMENT EXCEPT AS AUTHORIZED BY COMPAL ELECTRONICS, INC. NEITHER THIS SHEET NOR THE INFORMATION IT CONTAINS MAY BE USED BY OR DISCLOSED TO ANY THIRD PARTY WITHOUT PRIOR WRITTEN CONSENT OF COMPAL ELECTRONICS, INC.



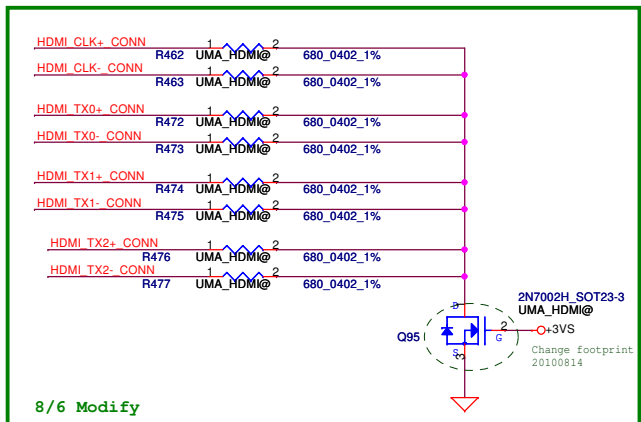
Check CRT footprint 7/20_OTIS

Pull high at chipset/VGA side

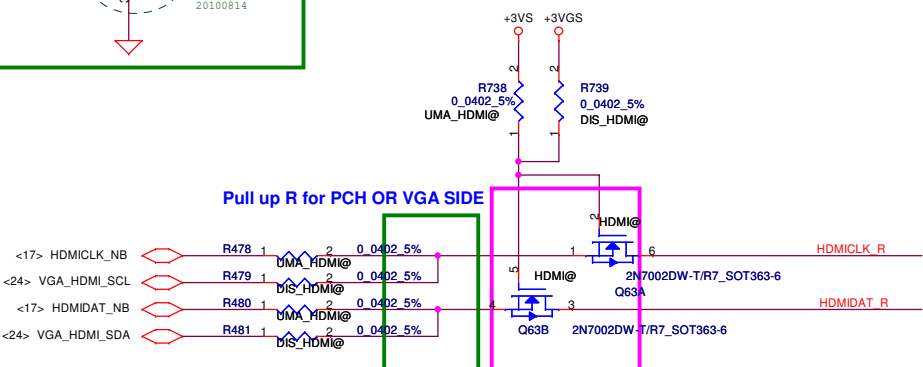
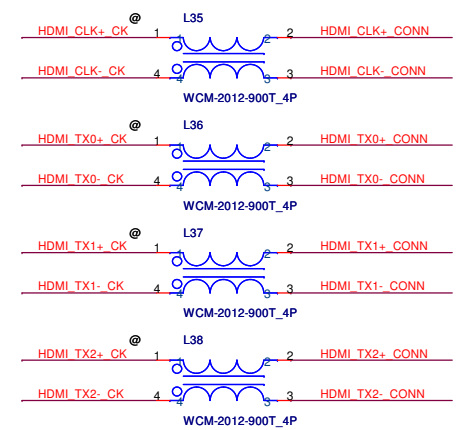
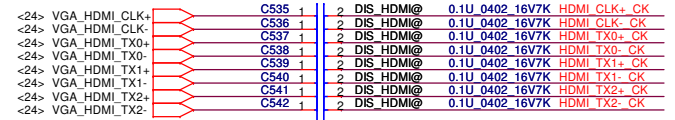
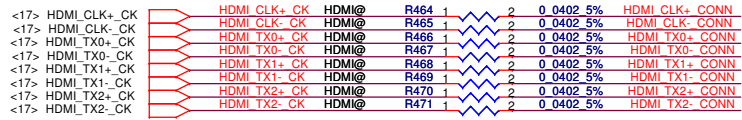
7/21 modify

8/14 change P/N to DMN66D0LDW-7_SOT363-6 (SB00000DH00)

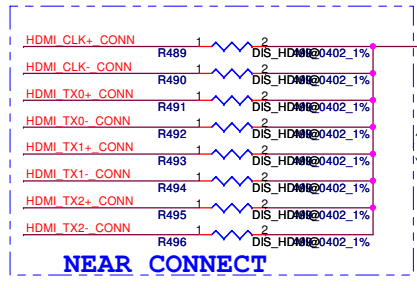
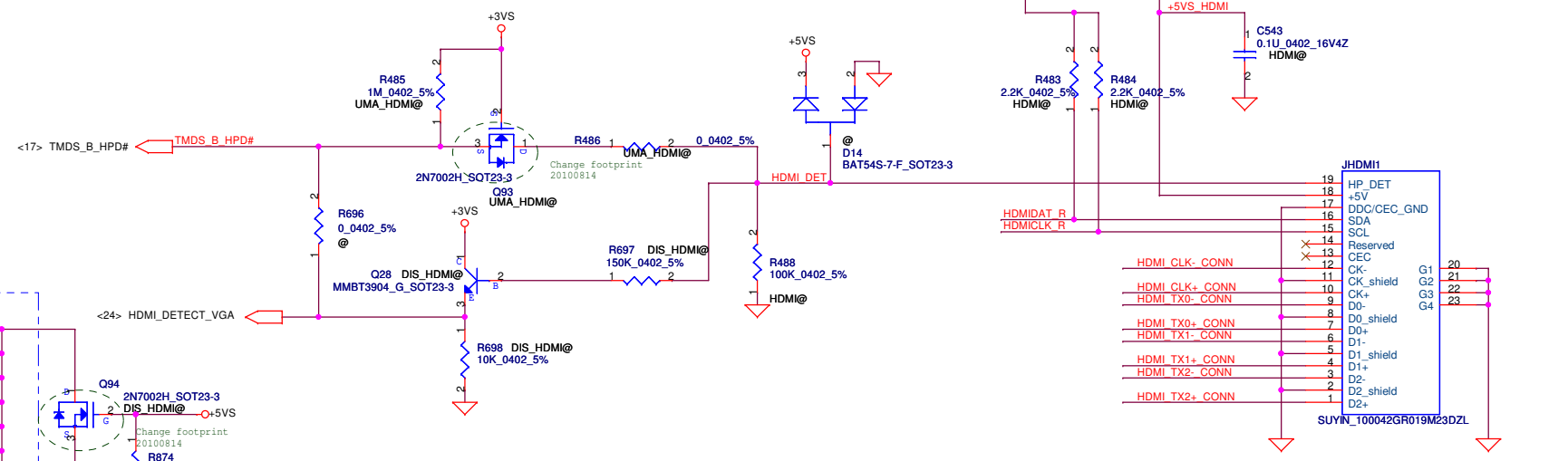
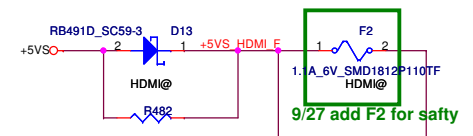
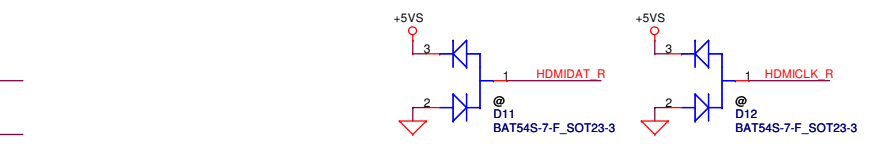
Security Classification		Compal Secret Data		Title	
Issued Date	2010/07/12	Deciphered Date	2012/07/11	Compal Electronics, Inc.	
THIS SHEET OF ENGINEERING DRAWING IS THE PROPRIETARY PROPERTY OF COMPAL ELECTRONICS, INC. AND CONTAINS CONFIDENTIAL AND TRADE SECRET INFORMATION. THIS SHEET MAY NOT BE TRANSFERRED FROM THE CUSTODY OF THE COMPETENT DIVISION OF R&D DEPARTMENT EXCEPT AS AUTHORIZED BY COMPAL ELECTRONICS, INC. NEITHER THIS SHEET NOR THE INFORMATION IT CONTAINS MAY BE USED BY OR DISCLOSED TO ANY THIRD PARTY WITHOUT PRIOR WRITTEN CONSENT OF COMPAL ELECTRONICS, INC.				CRT Connector	
Size	Document Number	Rev		0.2	
Custom	LA-6751P				
Date:	Friday, November 26, 2010	Sheet	32	of	59



8/6 Modify

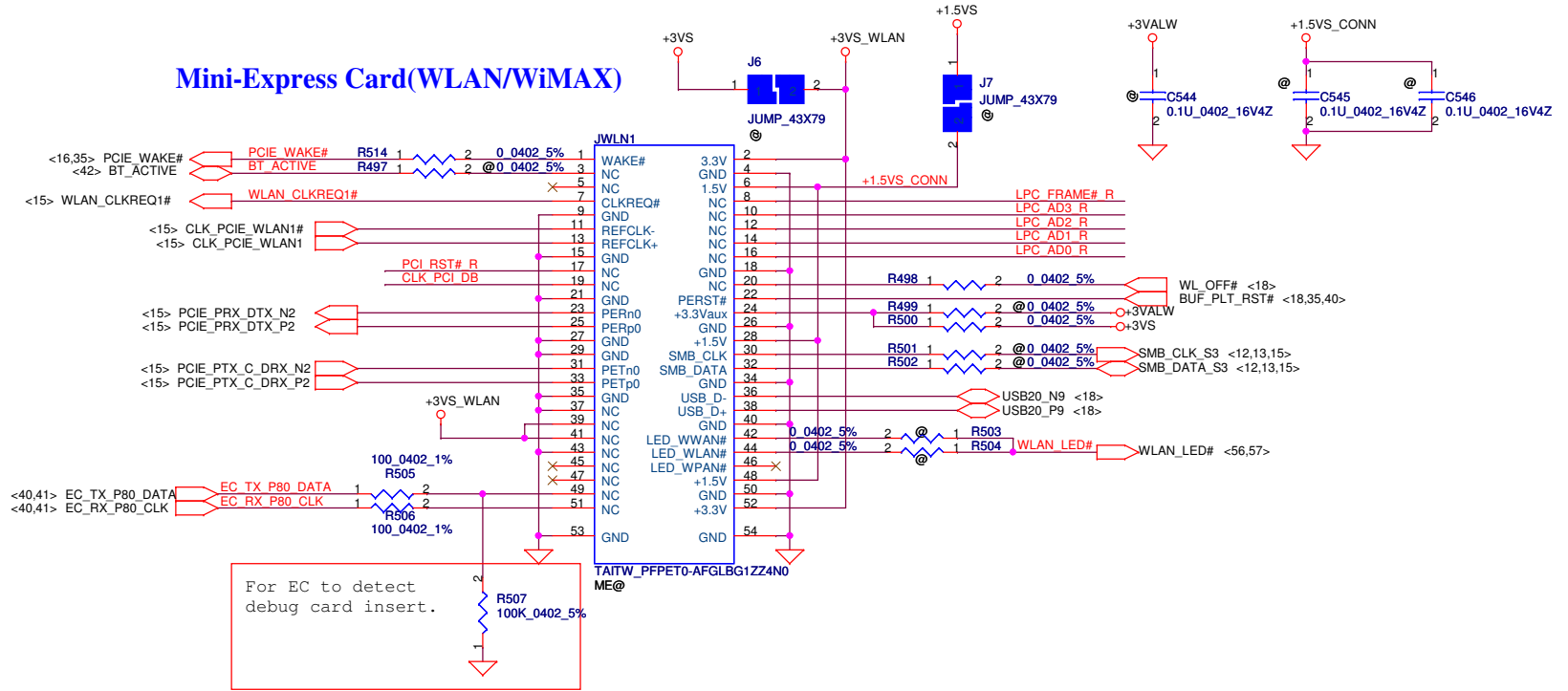


8/14 change P/N to DMN66D0LDW-7_SOT363-6 (SB00000DH00)



Security Classification		Compal Secret Data		Compal Electronics, Ltd.	
Issued Date	2010/07/12	Deciphered Date	2012/07/11	Title	HDMI CONN
THIS SHEET OF ENGINEERING DRAWING IS THE PROPRIETARY PROPERTY OF COMPAL ELECTRONICS, INC. AND CONTAINS CONFIDENTIAL AND TRADE SECRET INFORMATION. THIS SHEET MAY NOT BE TRANSFERRED FROM THE CUSTODY OF THE COMPETENT DIVISION OF R&D DEPARTMENT EXCEPT AS AUTHORIZED BY COMPAL ELECTRONICS, INC. NEITHER THIS SHEET NOR THE INFORMATION IT CONTAINS MAY BE USED BY OR DISCLOSED TO ANY THIRD PARTY WITHOUT PRIOR WRITTEN CONSENT OF COMPAL ELECTRONICS, INC.					
Size Custom	Document Number	Date: Friday, November 26, 2010		Sheet	33 of 59
				Rev	0.2
				LA-6751P	

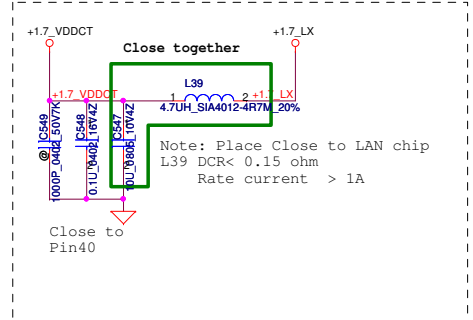
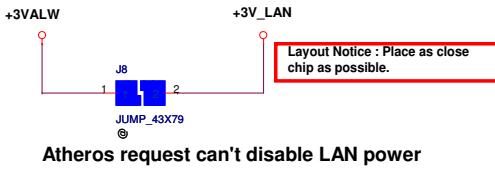
Mini-Express Card for WLAN/WiMAX(Half)



Reserve for SW mini-pcie debug card.
Series resistors closed to KBC side.

LPC_FRAME# R	R508	1	@	2	0.0402 5%	LPC_FRAME#	LPC_FRAME# <14,40>
LPC_AD3 R	R509	1	@	2	0.0402 5%	LPC_AD3	LPC_AD3 <14,40>
LPC_AD2 R	R510	1	@	2	0.0402 5%	LPC_AD2	LPC_AD2 <14,40>
LPC_AD1 R	R511	1	@	2	0.0402 5%	LPC_AD1	LPC_AD1 <14,40>
LPC_AD0 R	R512	1	@	2	0.0402 5%	LPC_AD0	LPC_AD0 <14,40>
PCI_RST# R	R513	1	@	2	0.0402 5%	PCI_RST#	BUF_PLT_RST#
CLK_PCIE_DB						CLK_PCIE_DB	<15>

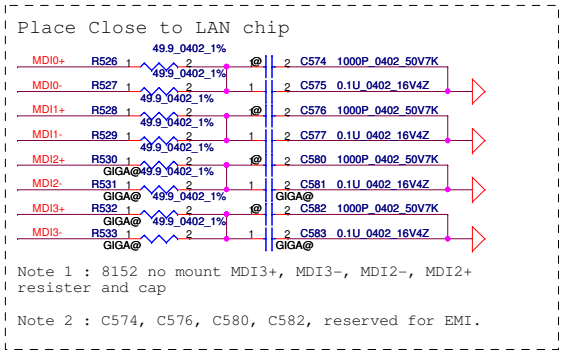
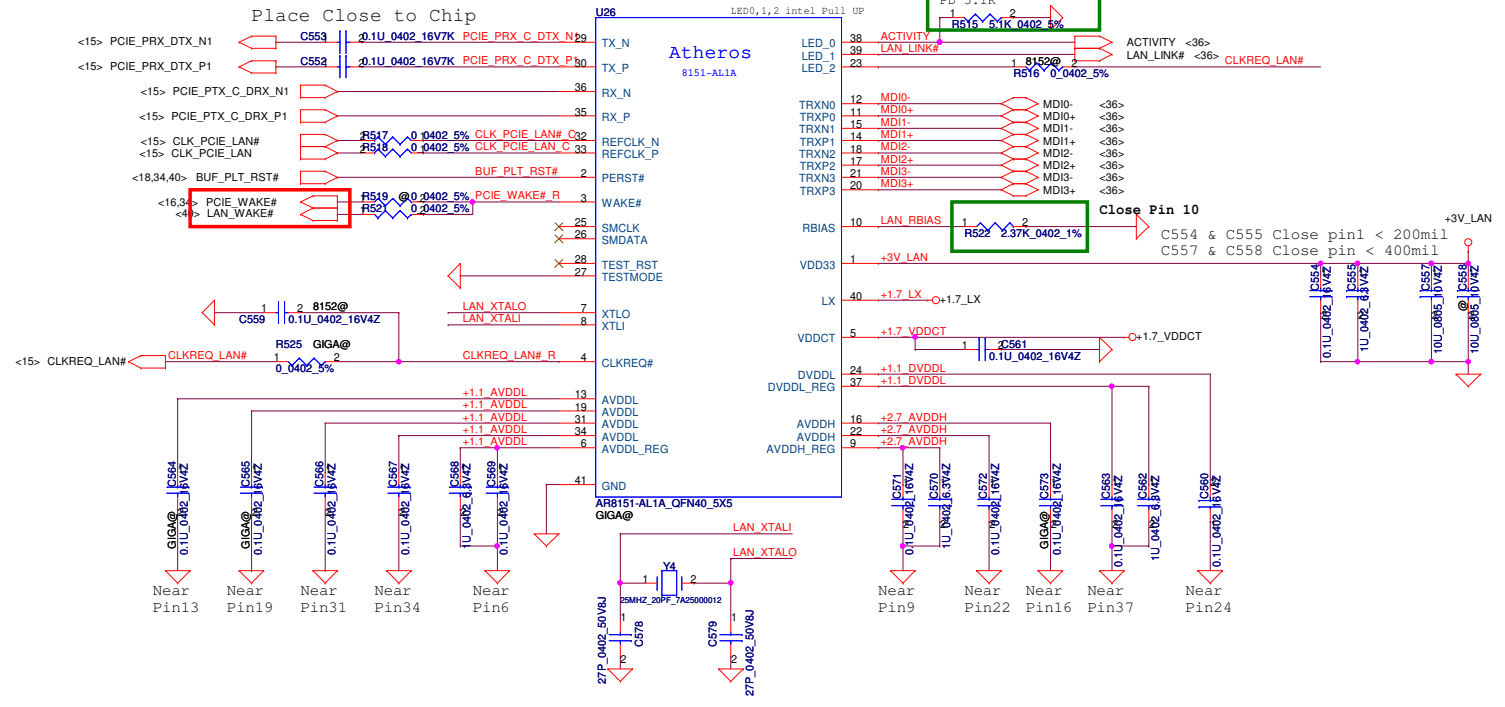
Security Classification	Compal Secret Data			Compal Electronics, Inc. Mini-Card/NEW Card/SIM			
Issued Date	2010/07/12	Deciphered Date	2012/07/11			Title	
THIS SHEET OF ENGINEERING DRAWING IS THE PROPRIETARY PROPERTY OF COMPAL ELECTRONICS, INC. AND CONTAINS CONFIDENTIAL AND TRADE SECRET INFORMATION. THIS SHEET MAY NOT BE TRANSFERRED FROM THE CUSTODY OF THE COMPETENT DIVISION OF R&D DEPARTMENT EXCEPT AS AUTHORIZED BY COMPAL ELECTRONICS, INC. NEITHER THIS SHEET NOR THE INFORMATION IT CONTAINS MAY BE USED BY OR DISCLOSED TO ANY THIRD PARTY WITHOUT PRIOR WRITTEN CONSENT OF COMPAL ELECTRONICS, INC.					Size	Document Number	Rev
					Date:	Friday, November 26, 2010	Sheet



Power On strapping

Pin	Description	Chip Default
LED0	H:Over Clock Enable L:Over Clock Disable *	H
LED2	H:SWR Switch mode regulator Select * AR8151 Pin23=LED2. AR8152, Pin23 is CLKREQ	--

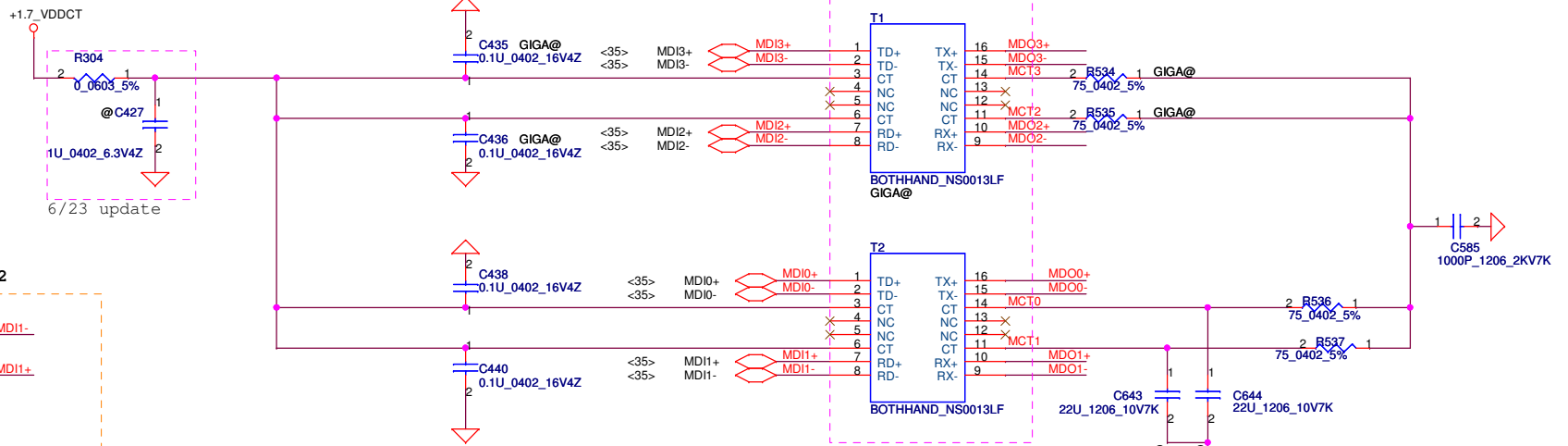
S IC AR8152-AL1E QFN 40P E-LAN CTRL



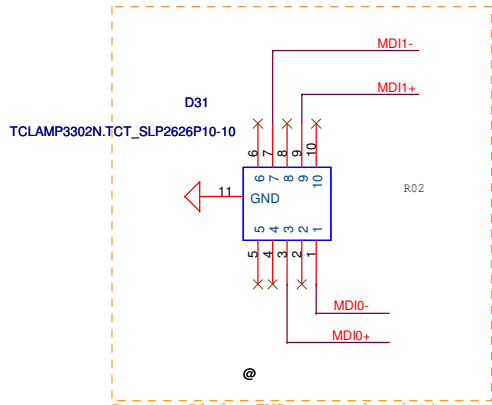
	Pin4	Configure		Pin23	Configure
		R525	C559		
AR8152	VDDCT_REG		*	CLKREQn	*
AR8151	CLKREQn	*		LED [2]	

Security Classification	Compal Secret Data		Compal Electronics, Inc.	
Issued Date	2010/07/12	Deciphered Date	2012/07/11	Title
THIS SHEET OF ENGINEERING DRAWING IS THE PROPRIETARY PROPERTY OF COMPAL ELECTRONICS, INC. AND CONTAINS CONFIDENTIAL AND TRADE SECRET INFORMATION. THIS SHEET MAY NOT BE TRANSFERRED FROM THE CUSTODY OF THE COMPETENT DIVISION OF R&D DEPARTMENT EXCEPT AS AUTHORIZED BY COMPAL ELECTRONICS, INC. NEITHER THIS SHEET NOR THE INFORMATION IT CONTAINS MAY BE USED BY OR DISCLOSED TO ANY THIRD PARTY WITHOUT PRIOR WRITTEN CONSENT OF COMPAL ELECTRONICS, INC.				LAN-AR8151/8152
Size Custom	Document Number	Rev		
	LA-6751P	0.1		
Date:	Friday, November 26, 2010	Sheet	35	of 59

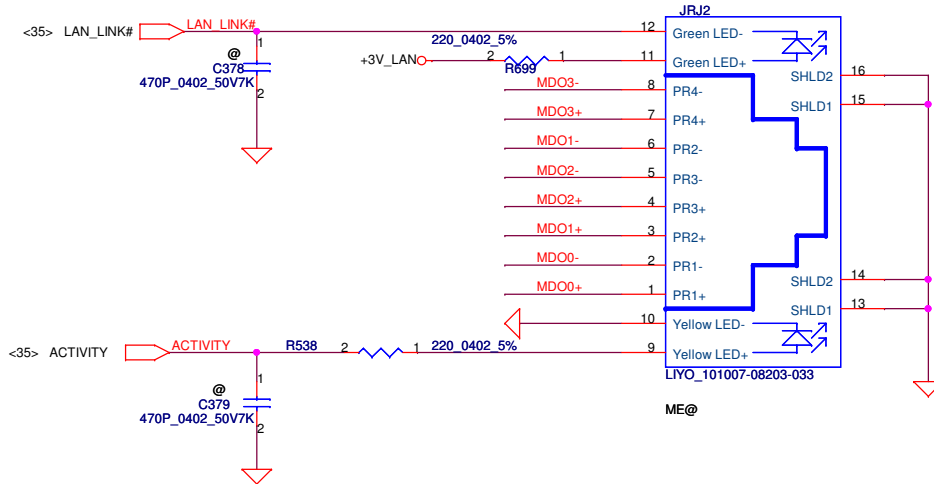
8/23 Change T1,T2 P/N to SP050006E00



Place Close to T2

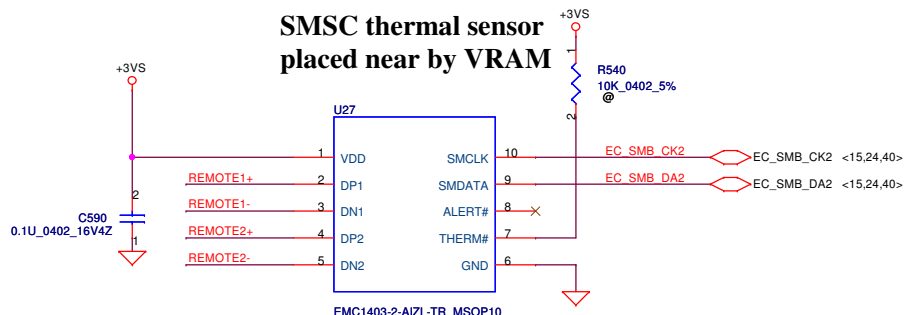
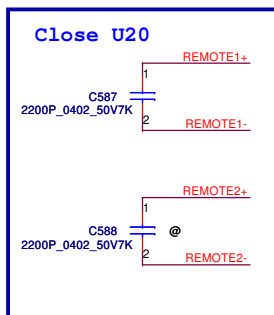


Reserve D1 for EMI go rural solution
20101006



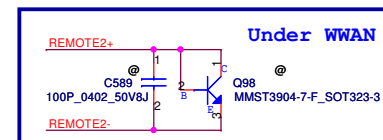
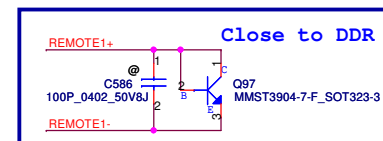
Reserve gas tube for EMI go rural solution
20101006

Security Classification	Compal Secret Data			Compal Electronics, Inc.		
Issued Date	2010/07/12	Deciphered Date	2012/07/11	Title LAN_Transformer		
THIS SHEET OF ENGINEERING DRAWING IS THE PROPRIETARY PROPERTY OF COMPAL ELECTRONICS, INC. AND CONTAINS CONFIDENTIAL AND TRADE SECRET INFORMATION. THIS SHEET MAY NOT BE TRANSFERRED FROM THE CUSTODY OF THE COMPETENT DIVISION OF R&D DEPARTMENT EXCEPT AS AUTHORIZED BY COMPAL ELECTRONICS, INC. NEITHER THIS SHEET NOR THE INFORMATION IT CONTAINS MAY BE USED BY OR DISCLOSED TO ANY THIRD PARTY WITHOUT PRIOR WRITTEN CONSENT OF COMPAL ELECTRONICS, INC.				Size	Document Number	Rev
				B	LA-6751P	0.2
				Date:	Friday, November 26, 2010	Sheet 36 of 59

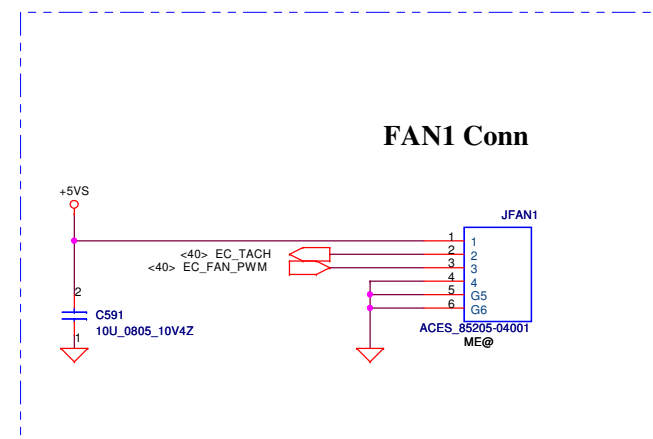


Address 1001_101xb

10/5 change P/N to SA000046C00

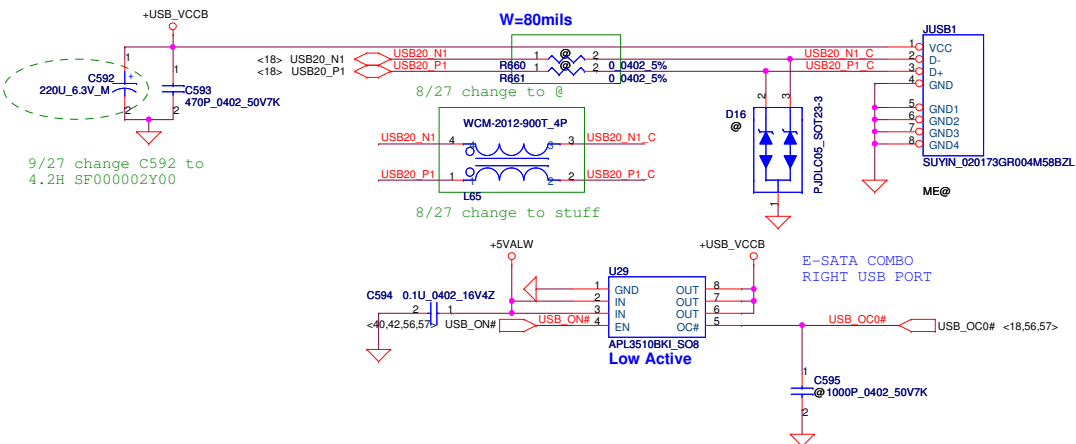


REMOTE1, 2+/-:
Trace width/space: 10/10 mil
Trace length: <8"

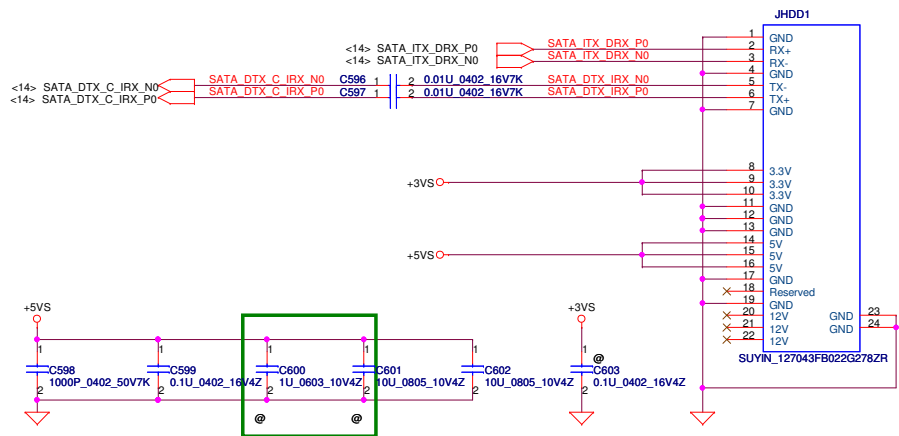


Security Classification		Compal Secret Data		Compal Electronics, Ltd.	
Issued Date	2010/07/12	Deciphered Date	2012/07/11	Title	EMC1403 Thermal sensor/FAN
THIS SHEET OF ENGINEERING DRAWING IS THE PROPRIETARY PROPERTY OF COMPAL ELECTRONICS, INC. AND CONTAINS CONFIDENTIAL AND TRADE SECRET INFORMATION. THIS SHEET MAY NOT BE TRANSFERRED FROM THE CUSTODY OF THE COMPETENT DIVISION OF R&D DEPARTMENT EXCEPT AS AUTHORIZED BY COMPAL ELECTRONICS, INC. NEITHER THIS SHEET NOR THE INFORMATION IT CONTAINS MAY BE USED BY OR DISCLOSED TO ANY THIRD PARTY WITHOUT PRIOR WRITTEN CONSENT OF COMPAL ELECTRONICS, INC.				Size Custom	Document Number LA-6751P
				Date: Friday, November 26, 2010	Rev 0.2 Sheet 37 of 59

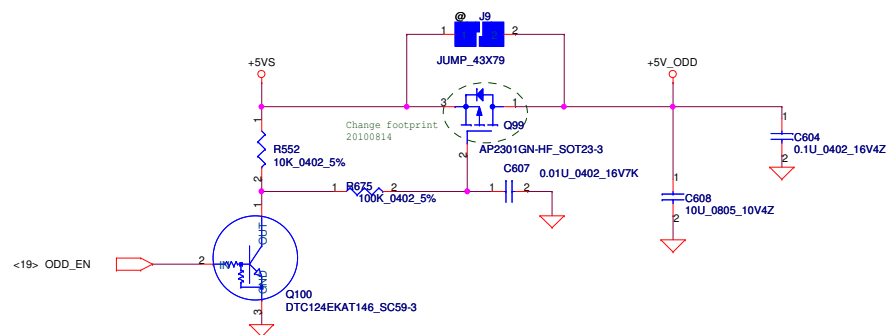
Left USB Conn.



SATA HDD Conn.



ODD Power Control

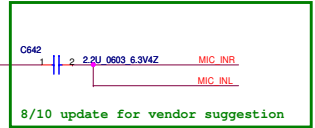
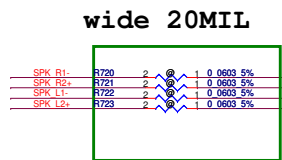
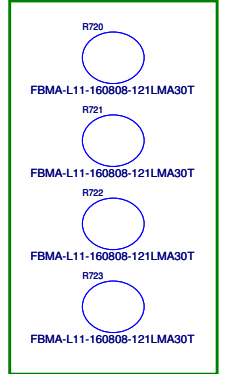
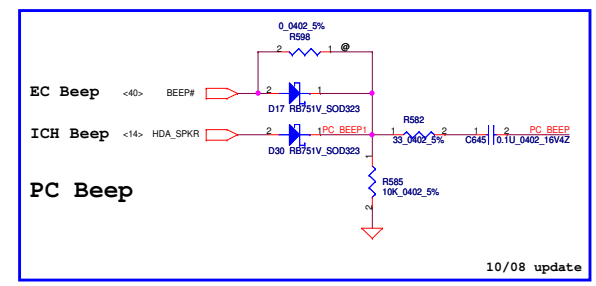
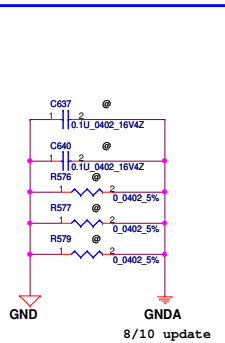
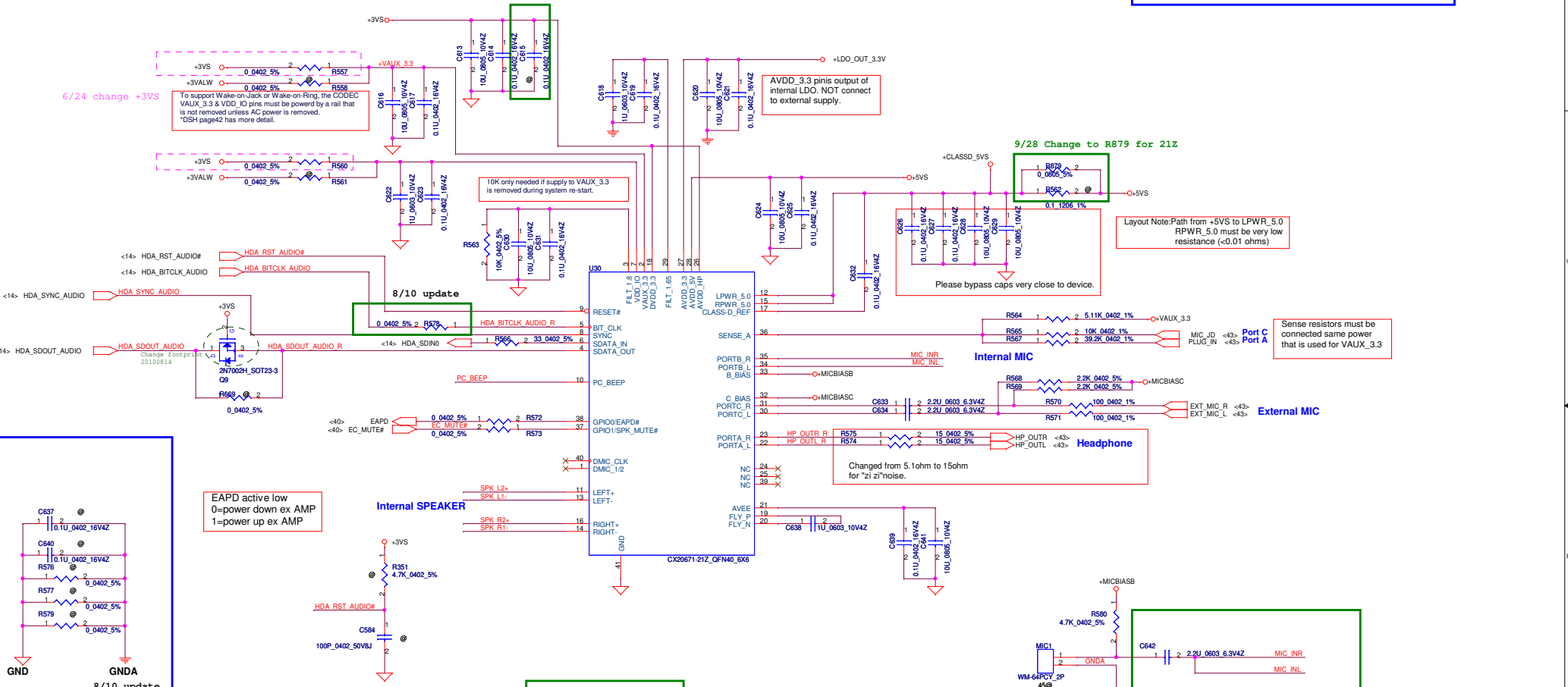
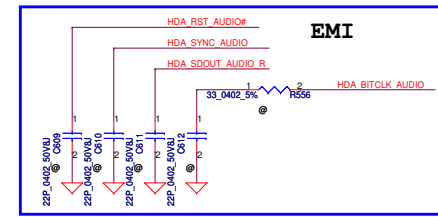


Security Classification		Compal Secret Data		Title		
Issued Date	2010/07/12	Deciphered Date	2012/07/11	Compal Electronics, Inc.		
				HDD/ODD Connector		
Size B	Document Number			Rev		
	LA-6751P			0.2		
				Date:	Friday, November 26, 2010	Sheet 38 of 59

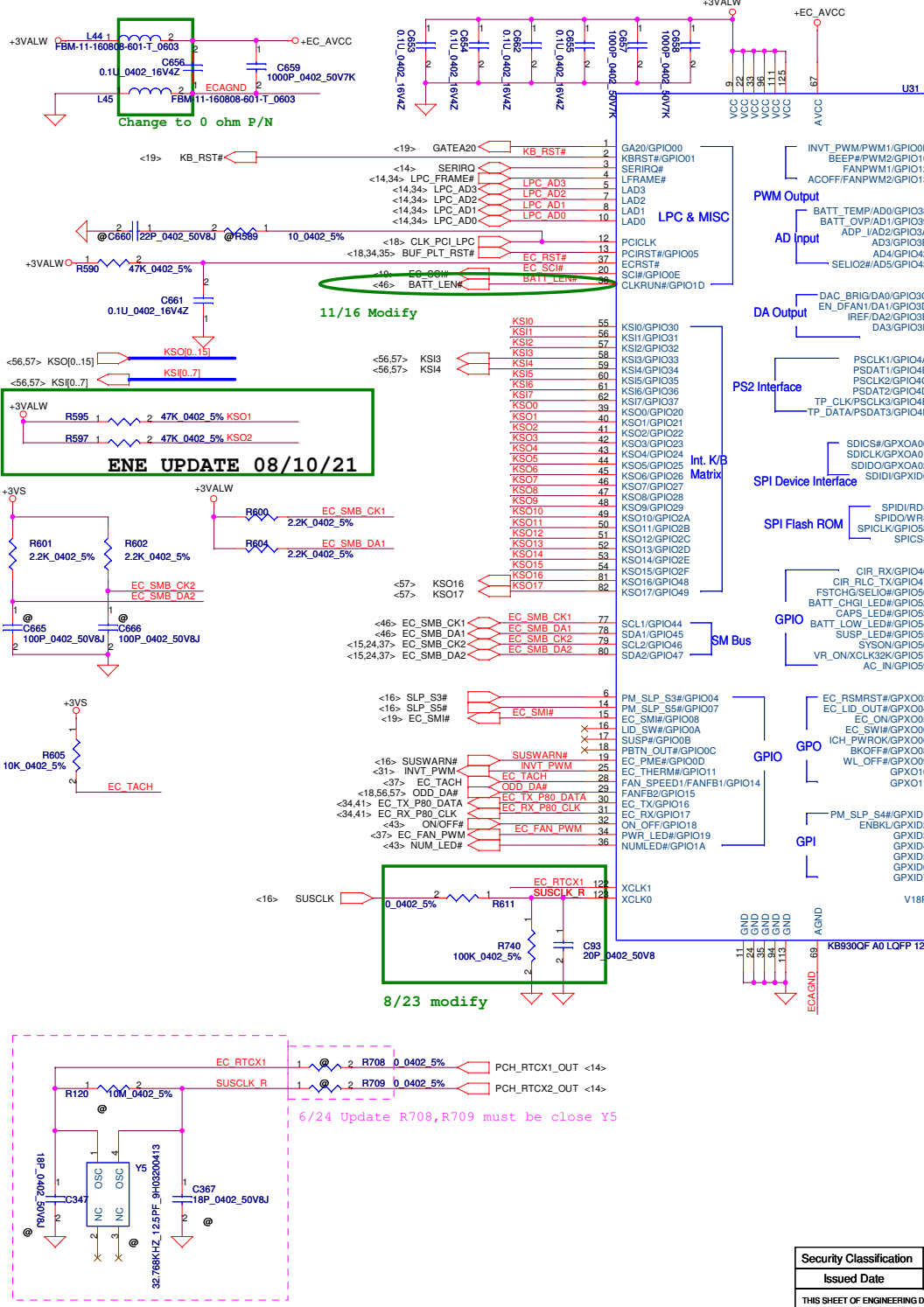
THIS SHEET OF ENGINEERING DRAWING IS THE PROPRIETARY PROPERTY OF COMPAL ELECTRONICS, INC. AND CONTAINS CONFIDENTIAL AND TRADE SECRET INFORMATION. THIS SHEET MAY NOT BE TRANSFERRED FROM THE CUSTODY OF THE COMPETENT DIVISION OF R&D DEPARTMENT EXCEPT AS AUTHORIZED BY COMPAL ELECTRONICS, INC. NEITHER THIS SHEET NOR THE INFORMATION IT CONTAINS MAY BE USED BY OR DISCLOSED TO ANY THIRD PARTY WITHOUT PRIOR WRITTEN CONSENT OF COMPAL ELECTRONICS, INC.

CX20671
High Definition Audio Codec SoC
With Integrated Class-D Stereo
Amplifier.
 An integrated 5 V to 3.3 V Low-dropout
 voltage regulator (LDO).
 An integrated 3.3 V to 1.8V Low-dropout
 voltage regulator (LDO).

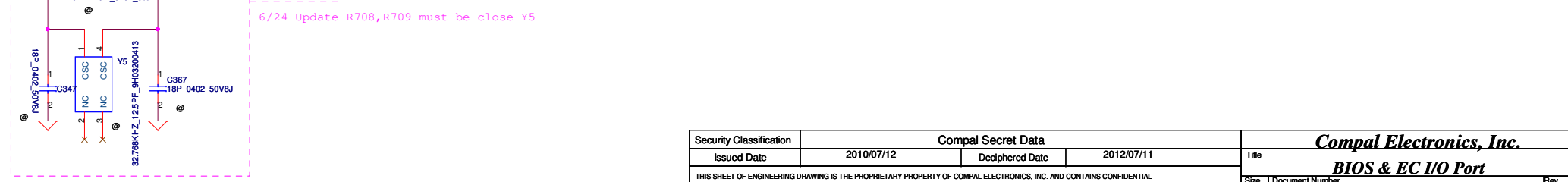
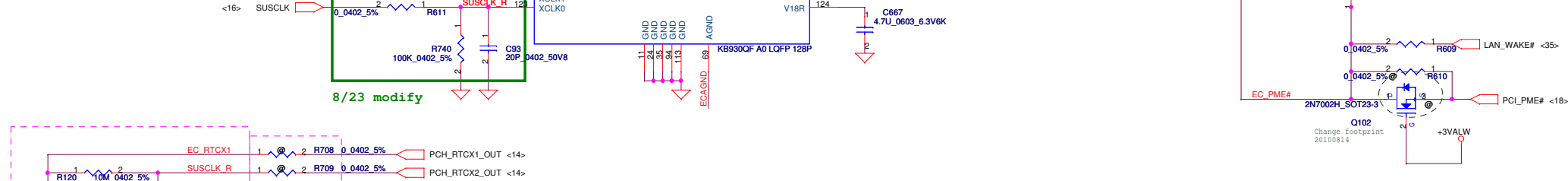
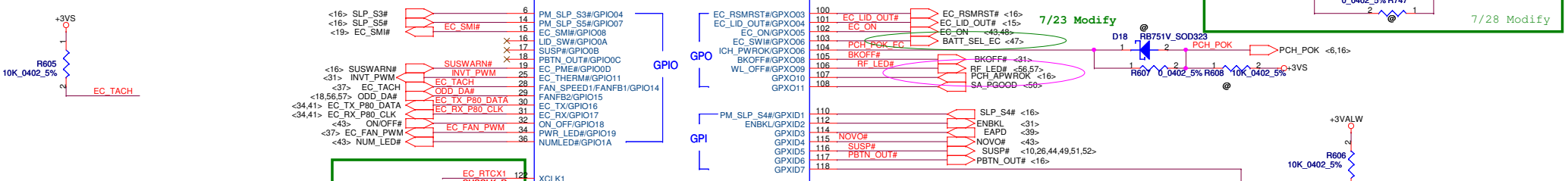
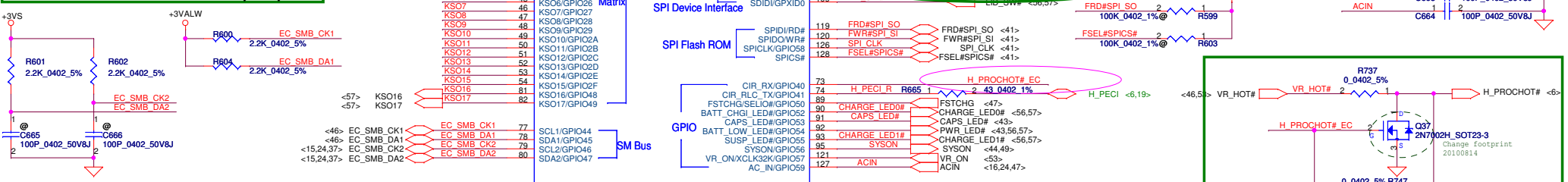
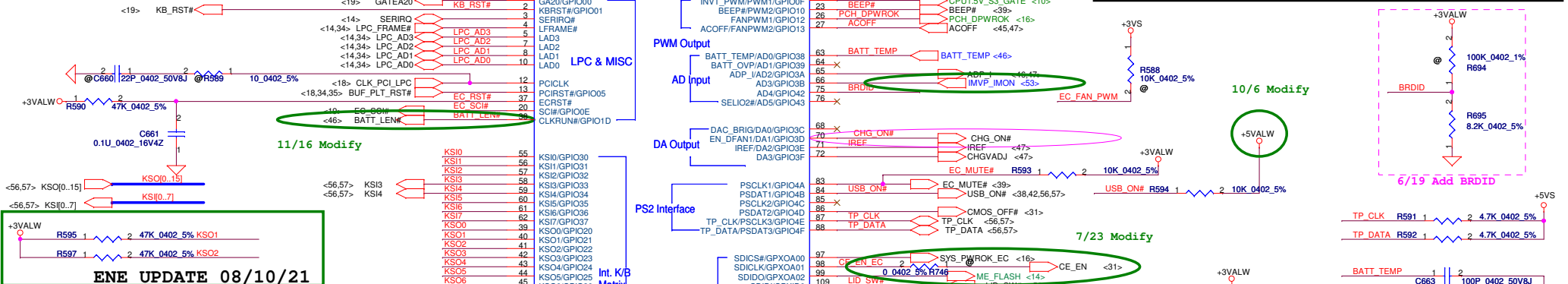
9/27 Update U30 P/N to SA00003K410



Security Classification	Compal Secret Data		Title	
Issued Date	2010/07/12	Deciphered Date	2012/07/11	CX20671 Codec
THIS SHEET OF ENGINEERING DRAWING IS THE PROPRIETARY PROPERTY OF COMPAL ELECTRONICS, INC. AND CONTAINS CONFIDENTIAL AND TRADE SECRET INFORMATION. THIS SHEET MAY NOT BE TRANSFERRED FROM THE CUSTODY OF THE COMPETENT DIVISION OF R&D DEPARTMENT EXCEPT AS AUTHORIZED BY COMPAL ELECTRONICS, INC. NEITHER THIS SHEET NOR THE INFORMATION IT CONTAINS MAY BE USED BY OR DISCLOSED TO ANY THIRD PARTY WITHOUT PRIOR WRITTEN CONSENT OF COMPAL ELECTRONICS, INC.				Size C
				Document Number
				LA-6751P
				Rev 0.1
				Date: Friday, November 26, 2010
				Sheet 39 of 59



Vcc	3.3V +/- 5%				
R694	100K +/- 5%				
Board ID	R695	V _{AD_BID} min	V _{AD_BID} typ	V _{AD_BID} max	MP
0	0	0 V	0 V	0 V	MP
1	8.2K +/- 5%	0.216 V	0.250 V	0.289 V	PVT
2	18K +/- 5%	0.436 V	0.503 V	0.538 V	DVT
3	33K +/- 5%	0.712 V	0.819 V	0.875 V	EVT



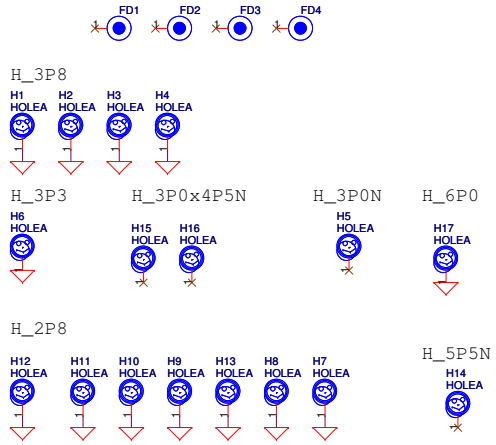
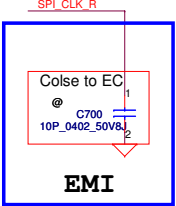
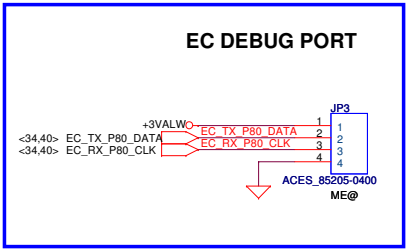
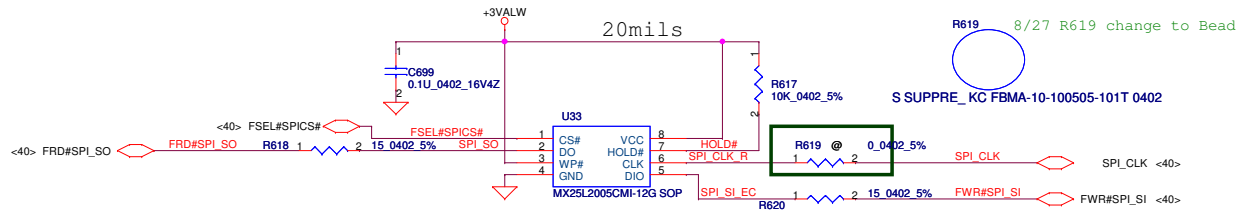
Security Classification	Compal Secret Data		Title	
Issued Date	2010/07/12	Deciphered Date	2012/07/11	BIOS & EC I/O Port
THIS SHEET OF ENGINEERING DRAWING IS THE PROPRIETARY PROPERTY OF COMPAL ELECTRONICS, INC. AND CONTAINS CONFIDENTIAL AND TRADE SECRET INFORMATION. THIS SHEET MAY NOT BE TRANSFERRED FROM THE CUSTODY OF THE COMPETENT DIVISION OF RAID DEPARTMENT EXCEPT AS AUTHORIZED BY COMPAL ELECTRONICS, INC. NEITHER THIS SHEET NOR THE INFORMATION IT CONTAINS MAY BE USED BY OR DISCLOSED TO ANY THIRD PARTY WITHOUT PRIOR WRITTEN CONSENT OF COMPAL ELECTRONICS, INC.				
Size	Document Number	Rev	Date	
Customer	LA-6751P	0.2	Friday, November 26, 2010	
Date	Sheet	40	of 59	

Compal Electronics, Inc.

BIOS & EC I/O Port

LA-6751P

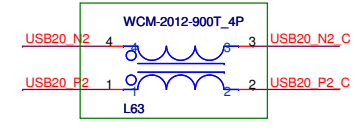
**FOR EC 128KB SPI ROM
(150mil PACKAGE)
SA00003FL10
SA00003JD00**



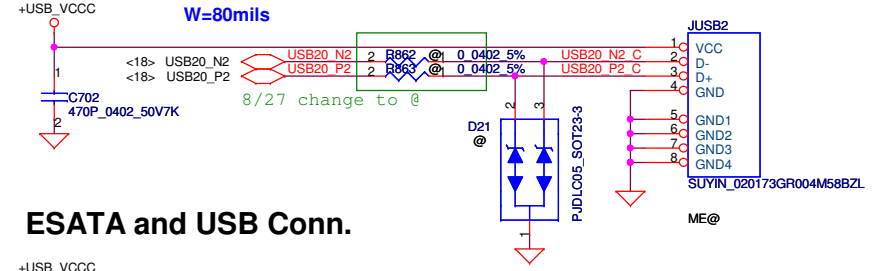
Security Classification		Compal Secret Data		Title LED/EC SPI ROM	
Issued Date	2010/07/12	Deciphered Date	2012/07/11		
THIS SHEET OF ENGINEERING DRAWING IS THE PROPRIETARY PROPERTY OF COMPAL ELECTRONICS, INC. AND CONTAINS CONFIDENTIAL AND TRADE SECRET INFORMATION. THIS SHEET MAY NOT BE TRANSFERRED FROM THE CUSTODY OF THE COMPETENT DIVISION OF R&D DEPARTMENT EXCEPT AS AUTHORIZED BY COMPAL ELECTRONICS, INC. NEITHER THIS SHEET NOR THE INFORMATION IT CONTAINS MAY BE USED BY OR DISCLOSED TO ANY THIRD PARTY WITHOUT PRIOR WRITTEN CONSENT OF COMPAL ELECTRONICS, INC.				Size B	Document Number LA-6751P
				Date: Friday, November 26, 2010	Rev 0.2
				Sheet 41	of 59

(220uF_6.3V_5.9L_ESR17m) *2= (SF000001500)

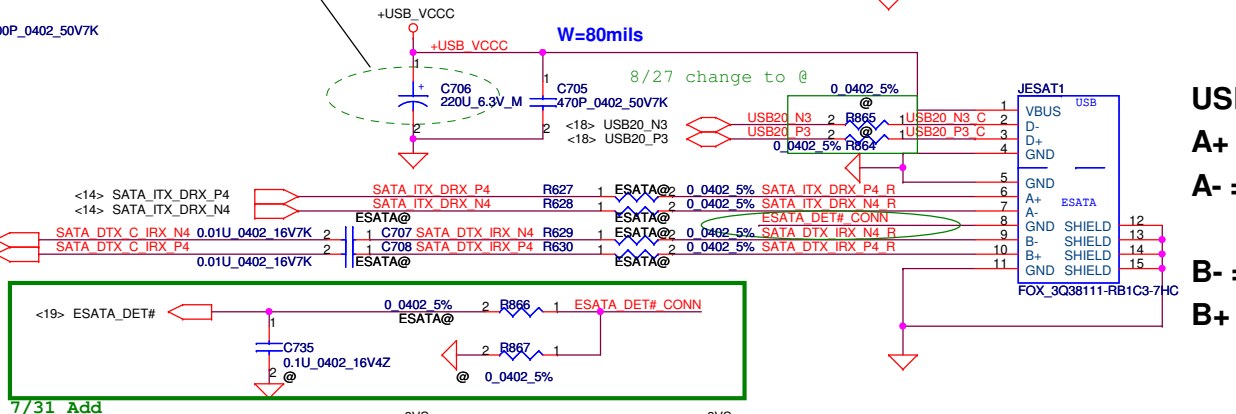
8/27 change to stuff



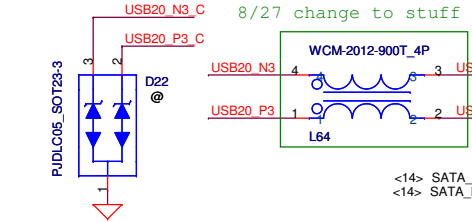
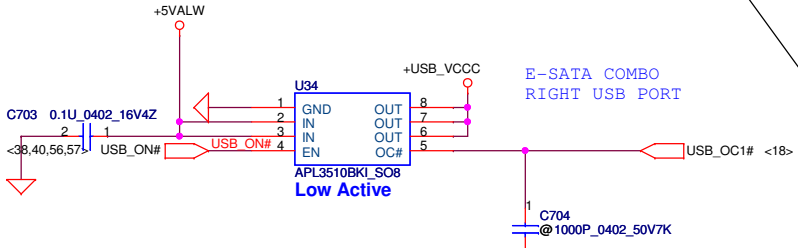
Left USB Conn.



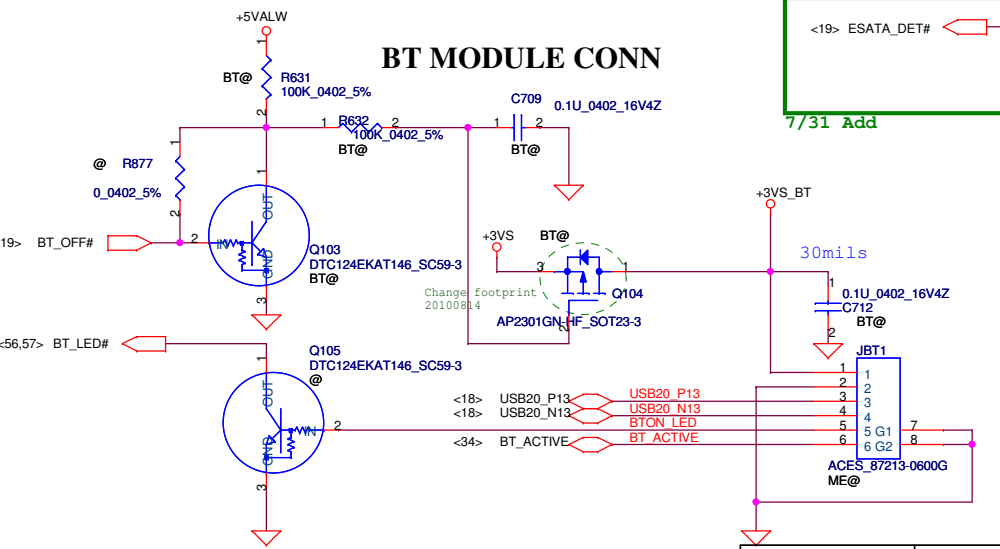
ESATA and USB Conn.



USB
A+ = RXP
A- = RXN
B- = TXN
B+ = TXP

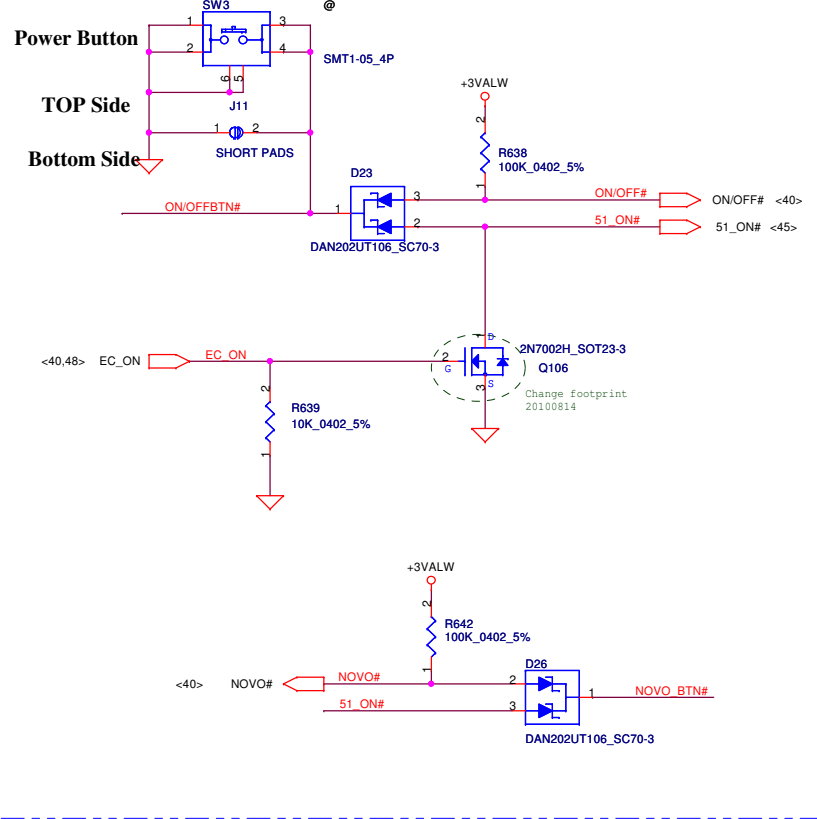


BT MODULE CONN

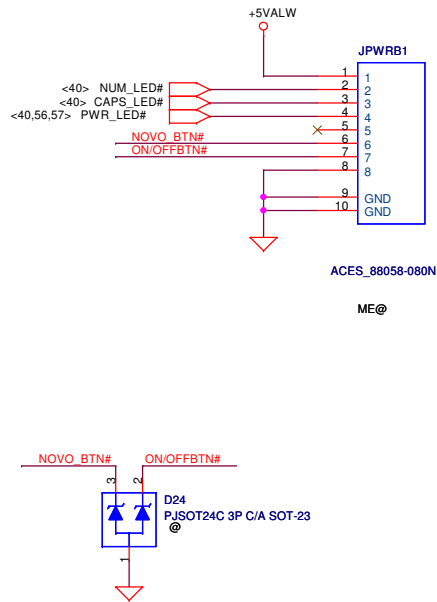


Security Classification		Compal Secret Data		Compal Electronics, Inc.	
Issued Date	2010/07/12	Deciphered Date	2012/07/11	Title	
THIS SHEET OF ENGINEERING DRAWING IS THE PROPRIETARY PROPERTY OF COMPAL ELECTRONICS, INC. AND CONTAINS CONFIDENTIAL AND TRADE SECRET INFORMATION. THIS SHEET MAY NOT BE TRANSFERRED FROM THE CUSTODY OF THE COMPETENT DIVISION OF R&D DEPARTMENT EXCEPT AS AUTHORIZED BY COMPAL ELECTRONICS, INC. NEITHER THIS SHEET NOR THE INFORMATION IT CONTAINS MAY BE USED BY OR DISCLOSED TO ANY THIRD PARTY WITHOUT PRIOR WRITTEN CONSENT OF COMPAL ELECTRONICS, INC.				USB ports/BT/E-SATA	
Size	Document Number	Rev		Date	
Custom	LA-6751P	0.2		Friday, November 26, 2010	
				Sheet	42 of 59

ON/OFF switch

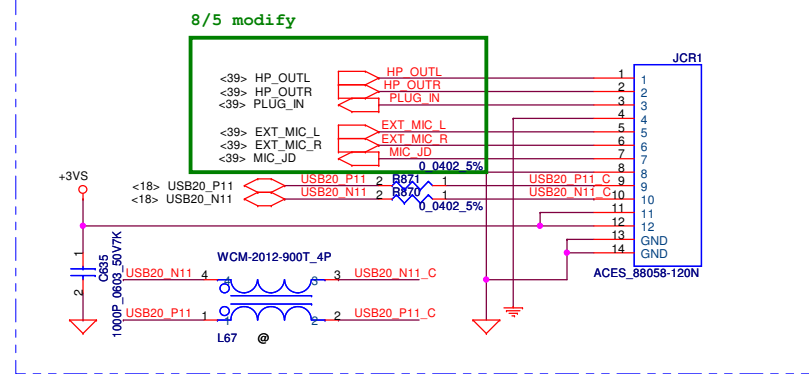


Power Bottom Board Conn. 8pin

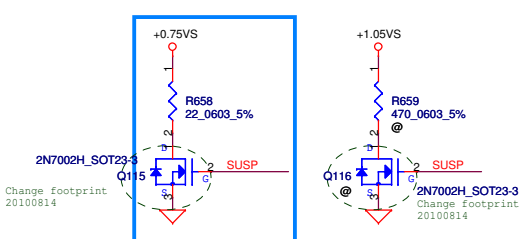
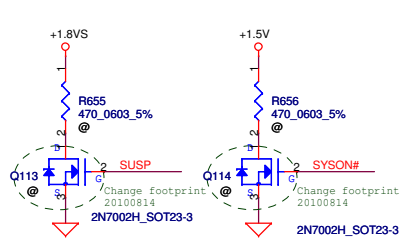
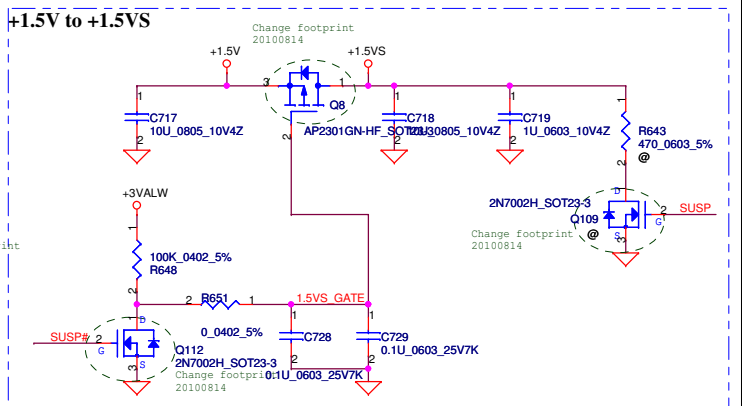
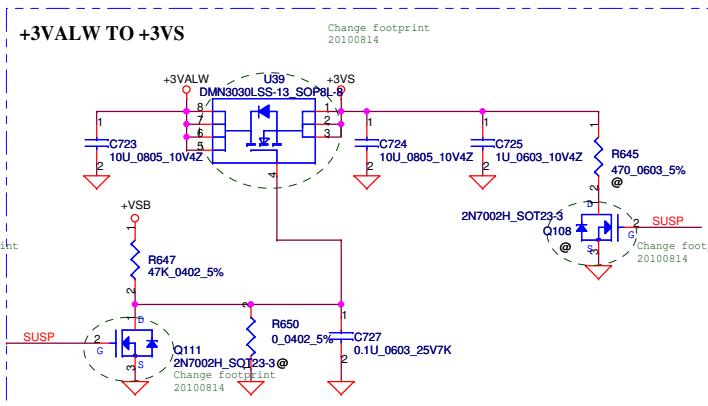
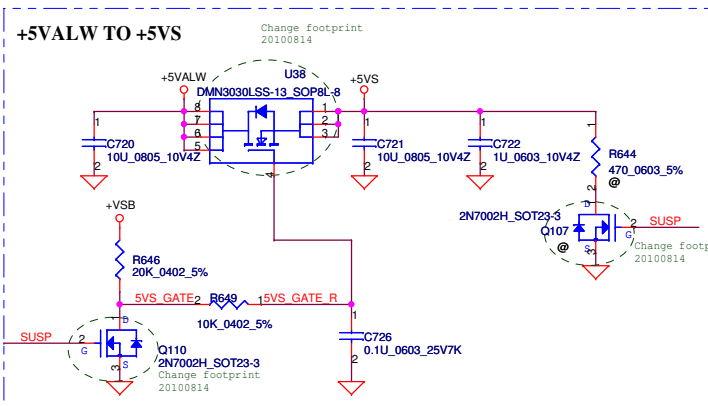


EMI REQUEST 1ST = SCA00000E00
 2ST = SCA00000R00

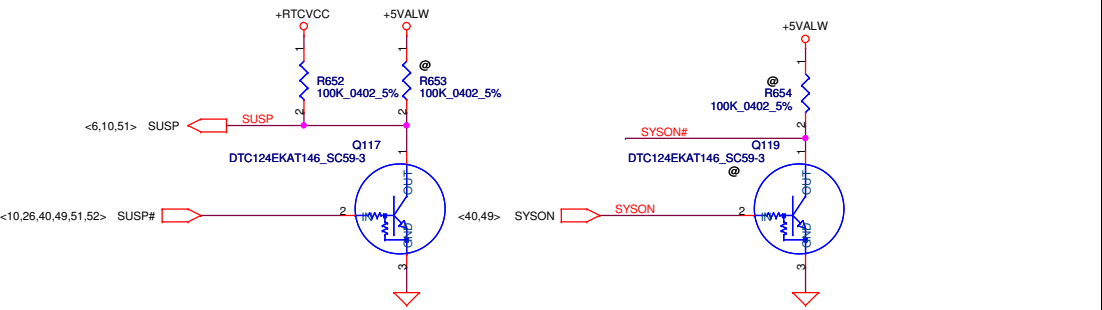
Card Reader/Audio Jack SB CONN



Security Classification	Compal Secret Data		Compal Electronics, Ltd.	
Issued Date	2010/07/12	Deciphered Date	2012/07/11	Title
THIS SHEET OF ENGINEERING DRAWING IS THE PROPRIETARY PROPERTY OF COMPAL ELECTRONICS, INC. AND CONTAINS CONFIDENTIAL AND TRADE SECRET INFORMATION. THIS SHEET MAY NOT BE TRANSFERRED FROM THE CUSTODY OF THE COMPETENT DIVISION OF R&D DEPARTMENT EXCEPT AS AUTHORIZED BY COMPAL ELECTRONICS, INC. NEITHER THIS SHEET NOR THE INFORMATION IT CONTAINS MAY BE USED BY OR DISCLOSED TO ANY THIRD PARTY WITHOUT PRIOR WRITTEN CONSENT OF COMPAL ELECTRONICS, INC.				other IO connector
Size Custom	Document Number	LA-6751P		Rev 0.2
Date: Friday, November 26, 2010	Sheet	43	of	59

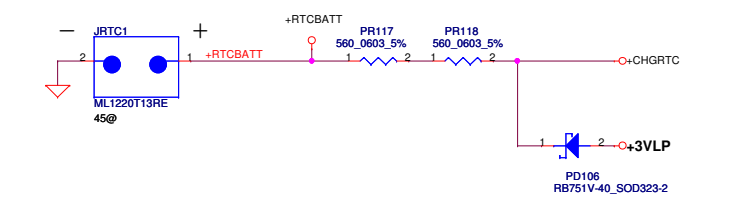
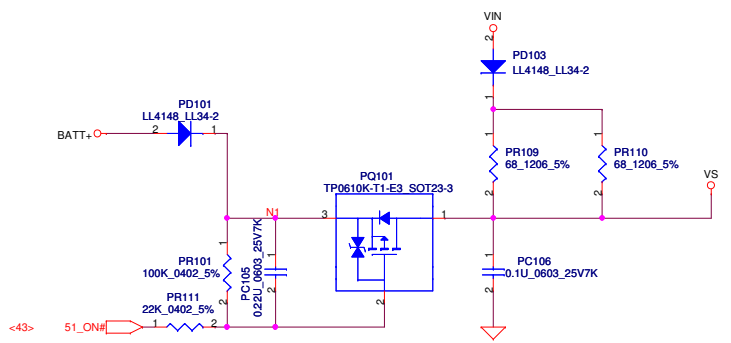
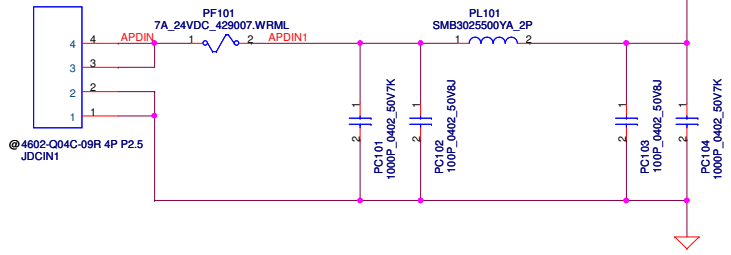


For Intel S3 Power Reduction.

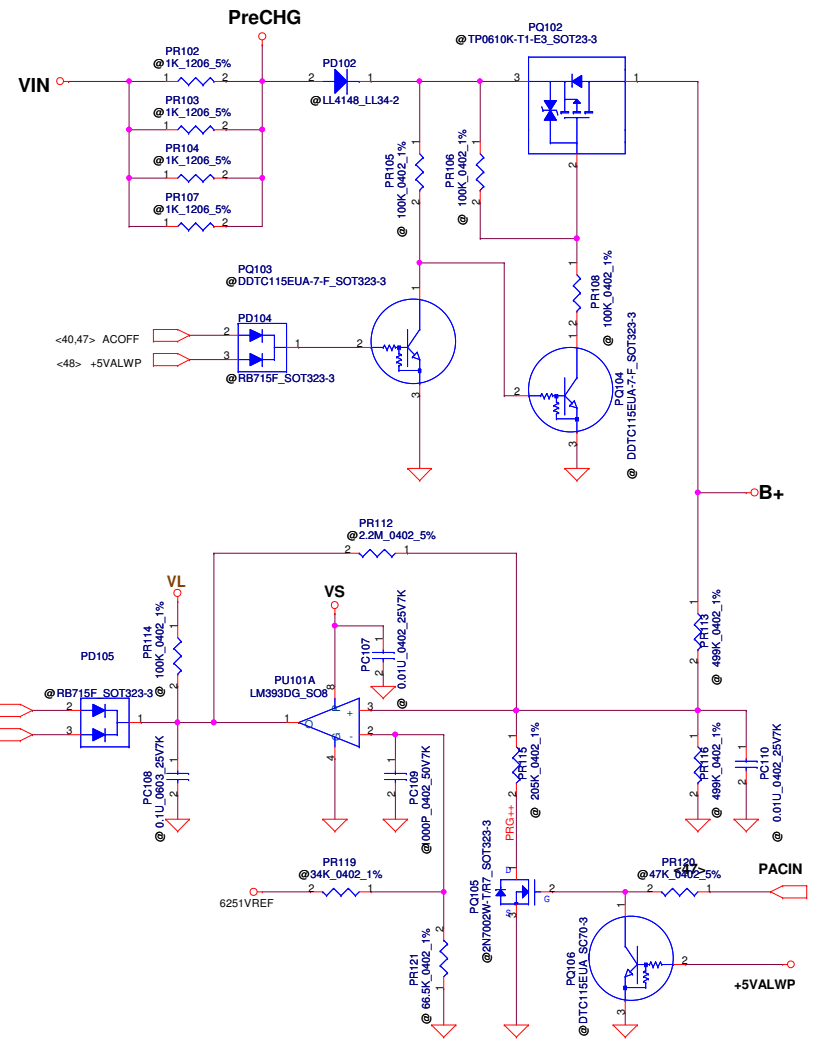


Security Classification		Compal Secret Data		Compal Electronics, Inc.	
Issued Date	2010/07/12	Deciphered Date	2012/07/11	Title	
THIS SHEET OF ENGINEERING DRAWING IS THE PROPRIETARY PROPERTY OF COMPAL ELECTRONICS, INC. AND CONTAINS CONFIDENTIAL AND TRADE SECRET INFORMATION. THIS SHEET MAY NOT BE TRANSFERRED FROM THE CUSTODY OF THE COMPETENT DIVISION OF R&D DEPARTMENT EXCEPT AS AUTHORIZED BY COMPAL ELECTRONICS, INC. NEITHER THIS SHEET NOR THE INFORMATION IT CONTAINS MAY BE USED BY OR DISCLOSED TO ANY THIRD PARTY WITHOUT PRIOR WRITTEN CONSENT OF COMPAL ELECTRONICS, INC.				DC Interface	
Size	Document Number	Rev		LA-6751P	
Custom	LA-6751P	0.2		Date:	Friday, November 26, 2010
				Sheet	44 of 59

DC030006J00



Precharge detector
15.97V/14.84V FOR
ADAPTOR



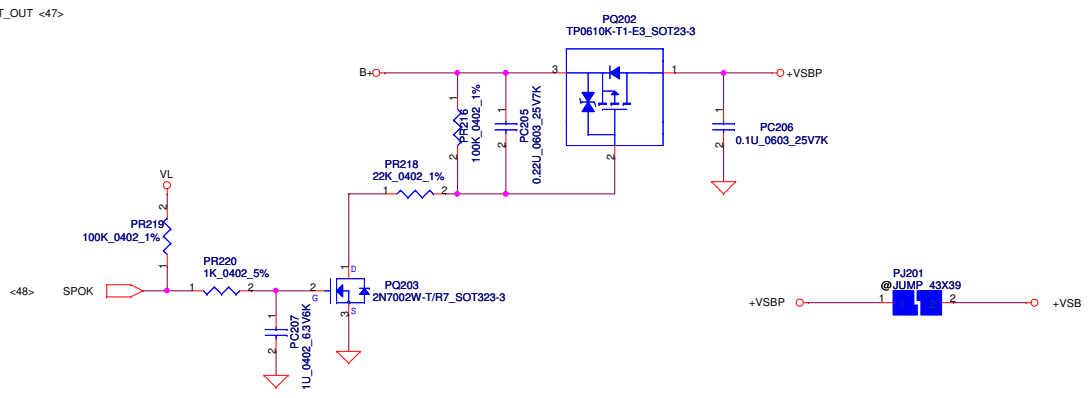
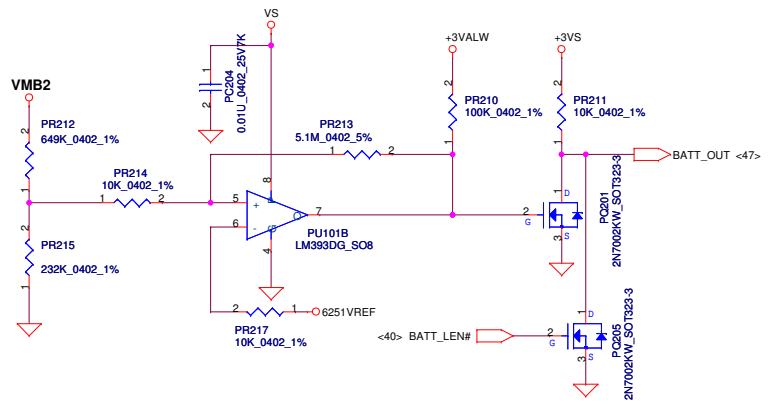
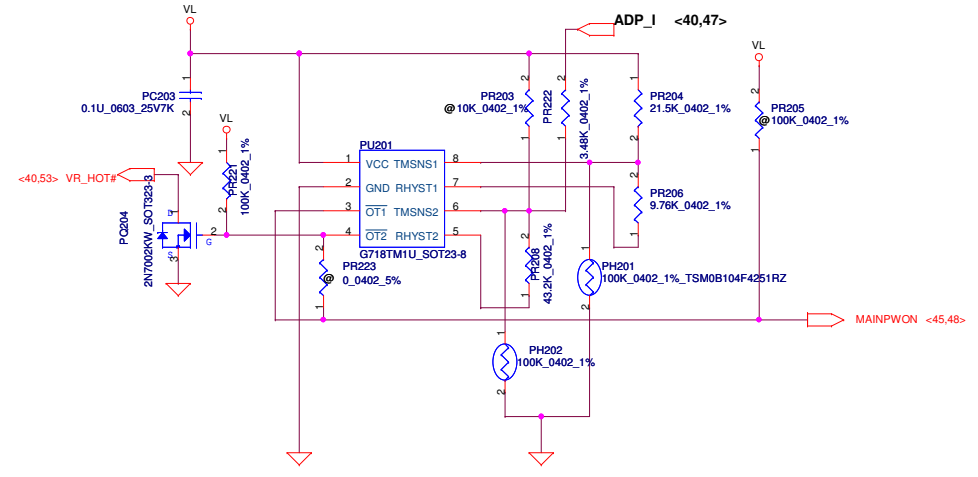
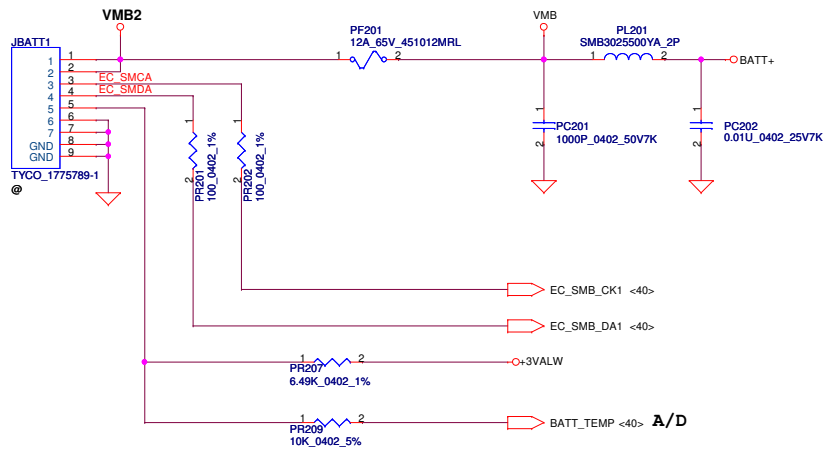
ACIN

Precharge detector			
Min.	typ.	Max.	
L-->H	14.991V	15.381V	15.782V
H-->L	13.860V	14.247V	14.621V

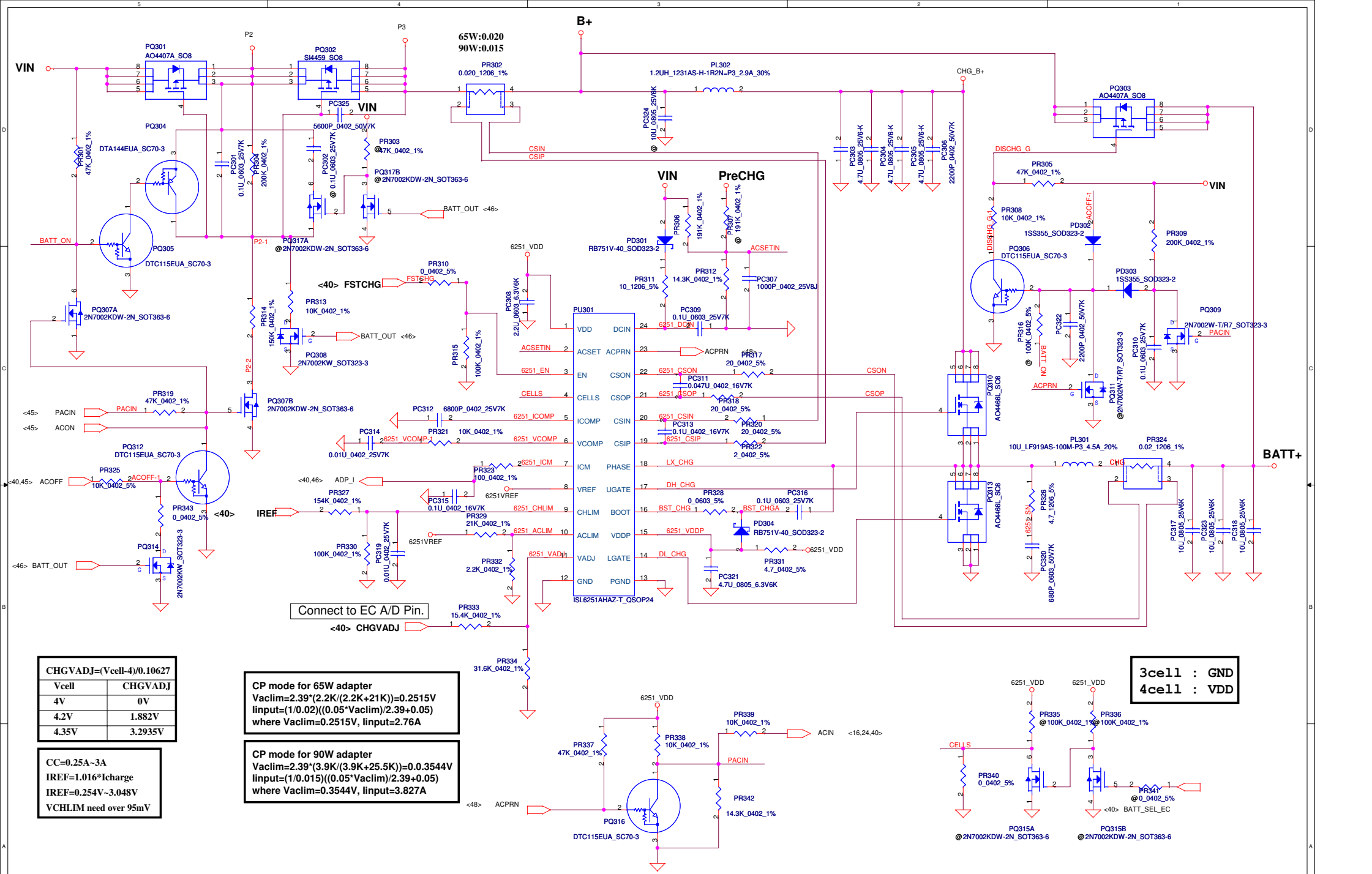
BATT ONLY

Precharge detector			
Min.	typ.	Max.	
L-->H	7.196V	7.349V	7.505V
H-->L	6.138V	6.214V	6.056V

PH201 under CPU botten side :
 CPU thermal protection at 92 degree C
 Recovery at 56 degree C



Security Classification		Compal Secret Data		Compal Electronics, Inc.	
Issued Date	2010/01/25	Deciphered Date	2010/12/31	Title	
THIS SHEET OF ENGINEERING DRAWING IS THE PROPRIETARY PROPERTY OF COMPAL ELECTRONICS, INC. AND CONTAINS CONFIDENTIAL AND TRADE SECRET INFORMATION. THIS SHEET MAY NOT BE TRANSFERRED FROM THE CUSTODY OF THE COMPETENT DIVISION OF R&D DEPARTMENT EXCEPT AS AUTHORIZED BY COMPAL ELECTRONICS, INC. NEITHER THIS SHEET NOR THE INFORMATION IT CONTAINS MAY BE USED BY OR DISCLOSED TO ANY THIRD PARTY WITHOUT PRIOR WRITTEN CONSENT OF COMPAL ELECTRONICS, INC.				PWR-BATTERY CONN/OTP	
Size	Document Number	PIWG1/G2(LA-6751P/LA-6753P)		Rev	0.1
Date:	Friday, November 26, 2010	Sheet	46	of 54	



$CHGVADJ = (V_{cell} - 4) / 0.10627$	
Vcell	CHGVADJ
4V	0V
4.2V	1.882V
4.35V	3.2935V

CC=0.25A-3A
 IREF=1.016*Icharge
 IREF=0.254V-3.048V
 VCHLIM need over 95mV

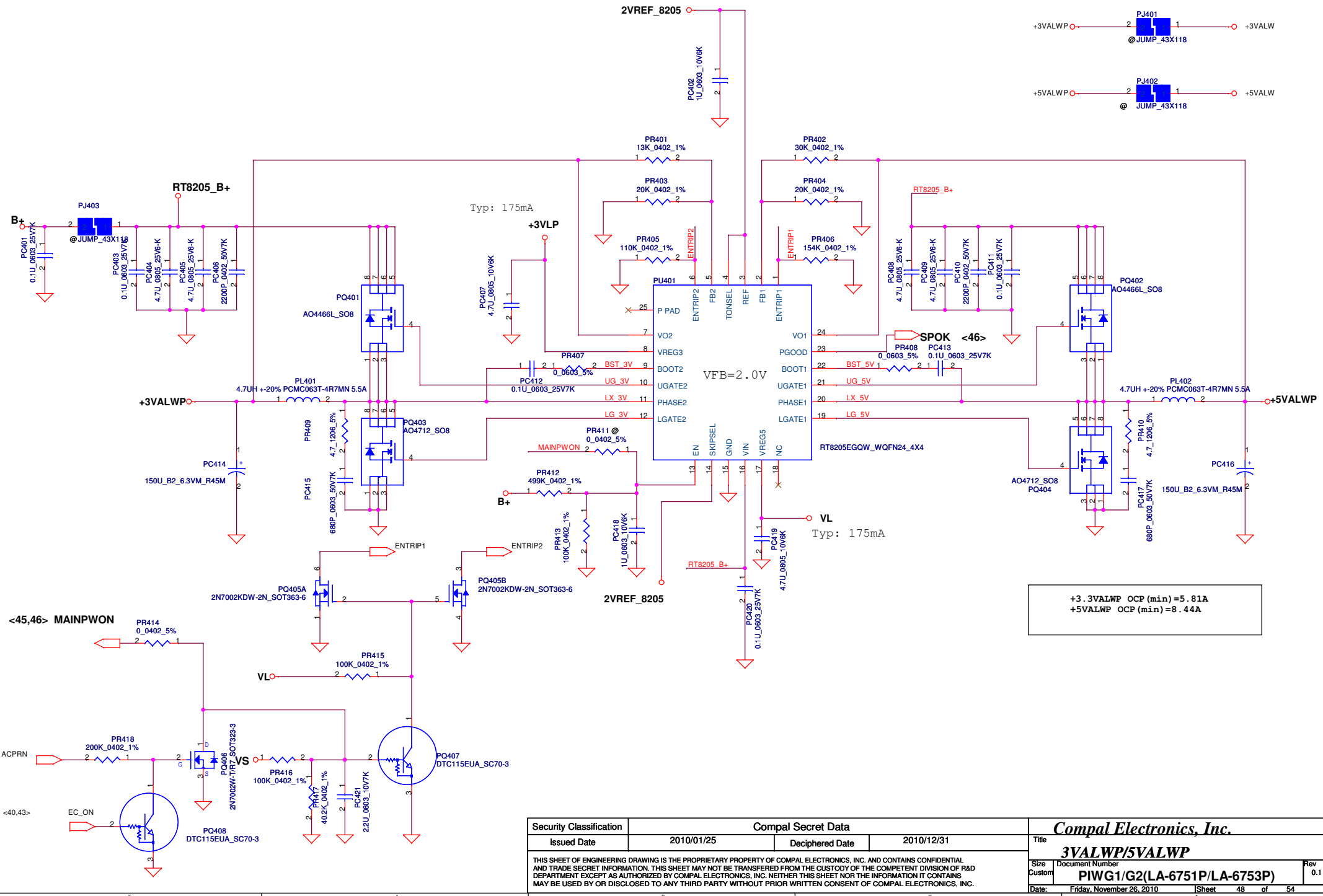
CP mode for 65W adapter
 $V_{aclip} = 2.39 * (2.2K / (2.2K + 21K)) = 0.2515V$
 $I_{input} = (1/0.02) * ((0.05 * V_{aclip}) / (2.39 + 0.05))$
 where $V_{aclip} = 0.2515V$, $I_{input} = 2.76A$

CP mode for 90W adapter
 $V_{aclip} = 2.39 * (3.9K / (3.9K + 25.5K)) = 0.3544V$
 $I_{input} = (1/0.015) * ((0.05 * V_{aclip}) / (2.39 + 0.05))$
 where $V_{aclip} = 0.3544V$, $I_{input} = 3.827A$

3cell : GND
 4cell : VDD

Security Classification	Compal Secret Data		Compal Electronics, Inc.	
Issued Date	2010/01/13	Deciphered Date	2011/01/13	Title
THIS SHEET OF ENGINEERING DRAWING IS THE PROPRIETARY PROPERTY OF COMPAL ELECTRONICS, INC. AND CONTAINS CONFIDENTIAL AND TRADE SECRET INFORMATION. THIS SHEET MAY NOT BE TRANSFERRED FROM THE CUSTODY OF THE COMPETENT DIVISION OF R&D DEPARTMENT EXCEPT AS AUTHORIZED BY COMPAL ELECTRONICS, INC. NEITHER THIS SHEET NOR THE INFORMATION IT CONTAINS MAY BE USED BY OR DISCLOSED TO ANY THIRD PARTY WITHOUT PRIOR WRITTEN CONSENT OF COMPAL ELECTRONICS, INC.				Size
				Document Number
				PIWG1/G2(LA-6751P/LA-6753P)
				Rev
				0.2
				Date: Friday, November 26, 2010
				Sheet 47 of 54

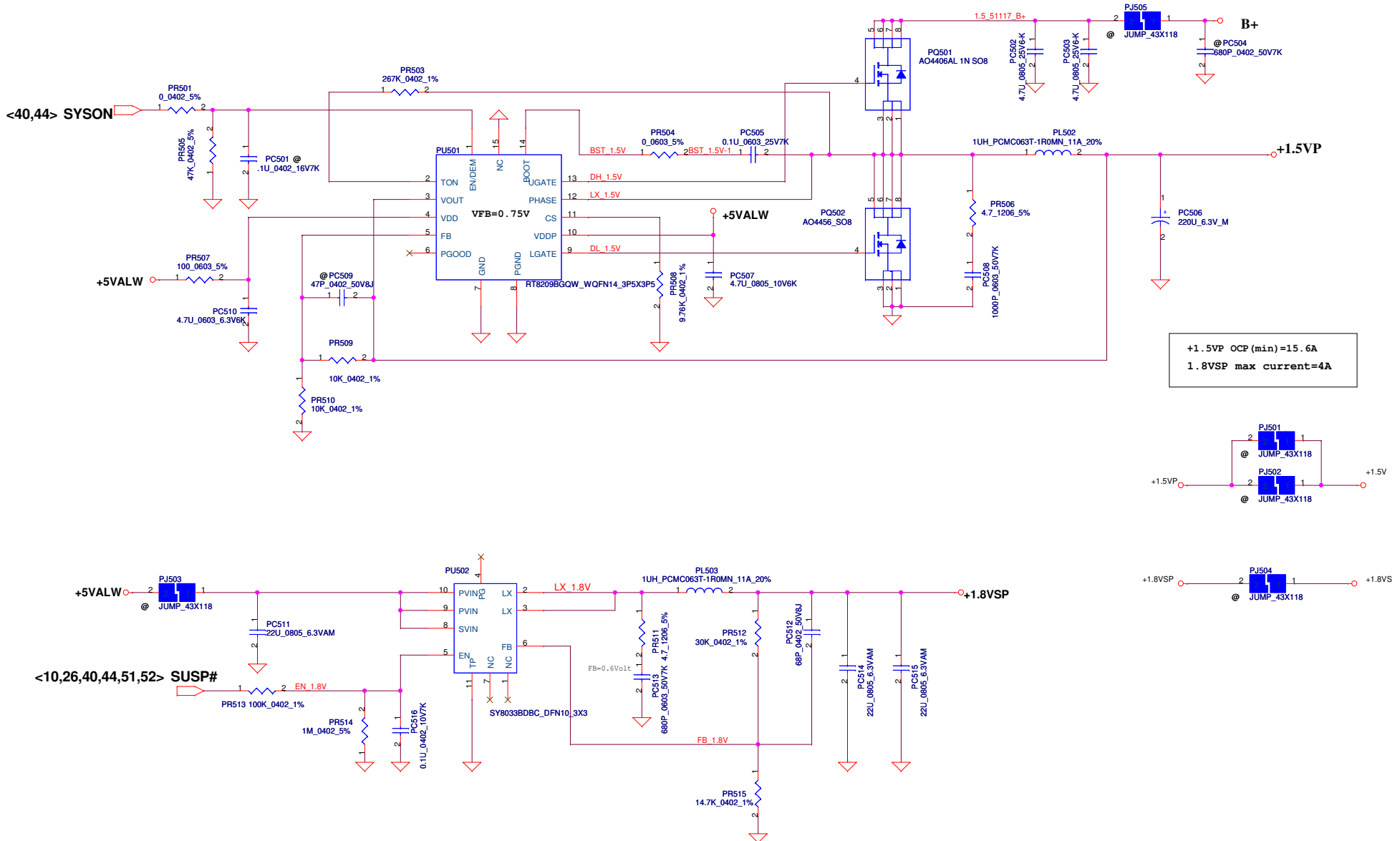
Note:
 Use TPS51125 IC can remove RTC referenece LDO
 Use TPS51427 IC must keep RTC referenece LDO



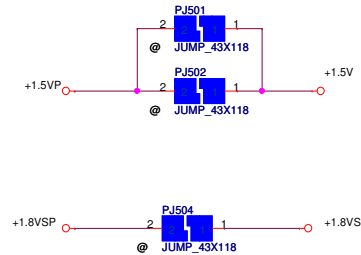
+3.3VALWP OCP (min)=5.81A
 +5VALWP OCP (min)=8.44A

Security Classification		Compal Secret Data	
Issued Date	2010/01/25	Deciphered Date	2010/12/31
THIS SHEET OF ENGINEERING DRAWING IS THE PROPRIETARY PROPERTY OF COMPAL ELECTRONICS, INC. AND CONTAINS CONFIDENTIAL AND TRADE SECRET INFORMATION. THIS SHEET MAY NOT BE TRANSFERRED FROM THE CUSTODY OF THE COMPETENT DIVISION OF R&D DEPARTMENT EXCEPT AS AUTHORIZED BY COMPAL ELECTRONICS, INC. NEITHER THIS SHEET NOR THE INFORMATION IT CONTAINS MAY BE USED BY OR DISCLOSED TO ANY THIRD PARTY WITHOUT PRIOR WRITTEN CONSENT OF COMPAL ELECTRONICS, INC.			

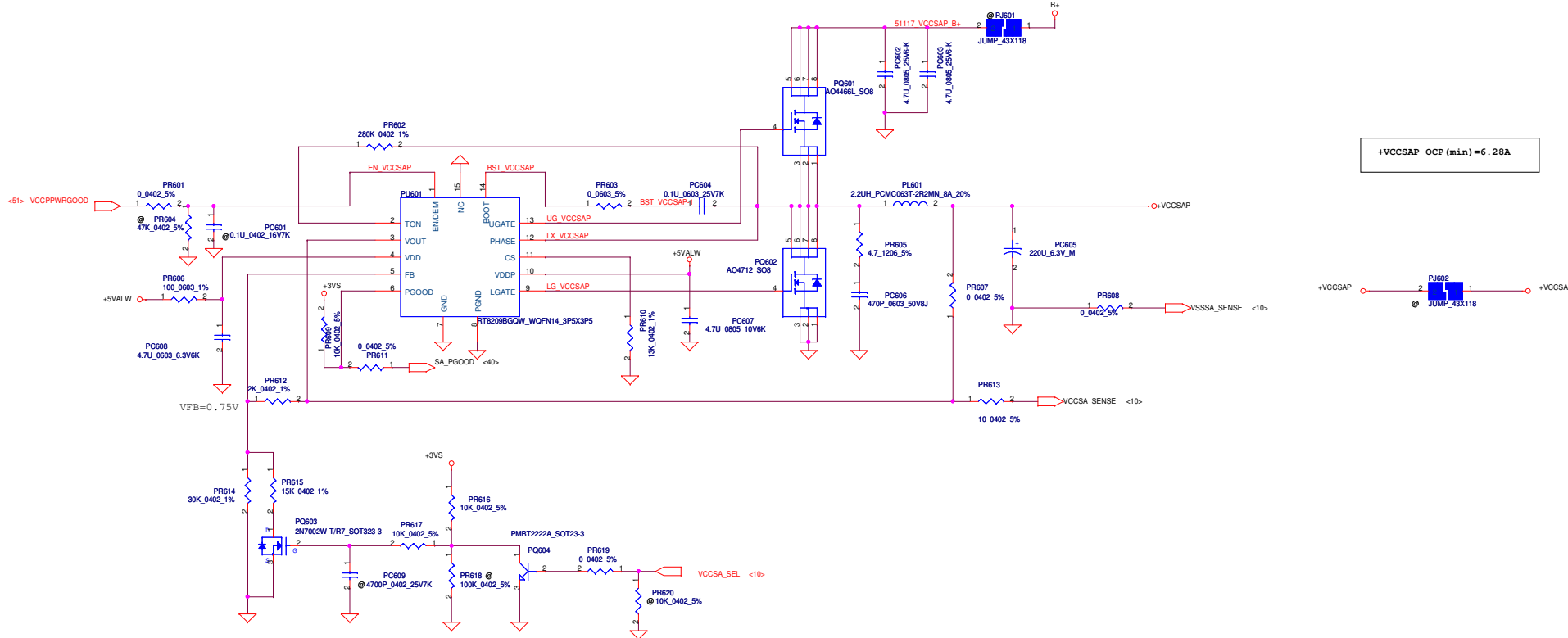
Compal Electronics, Inc.			
Title	3VALWP/5VALWP		
Size	Document Number	Rev	
Custom	PIWG1/G2(LA-6751P/LA-6753P)	0.1	
Date:	Friday, November 26, 2010	Sheet	48 of 54



+1.5VP OCP (min)=15.6A
1.8VSP max current=4A



Security Classification		Compal Secret Data		Compal Electronics, Inc.		
Issued Date	2010/01/25	Deciphered Date	2010/12/31	Title	PWR-+1.5VP/+1.8VSP	
THIS SHEET OF ENGINEERING DRAWING IS THE PROPRIETARY PROPERTY OF COMPAL ELECTRONICS, INC. AND CONTAINS CONFIDENTIAL AND TRADE SECRET INFORMATION. THIS SHEET MAY NOT BE TRANSFERRED FROM THE CUSTODY OF THE COMPETENT DIVISION OF R&D DEPARTMENT EXCEPT AS AUTHORIZED BY COMPAL ELECTRONICS, INC. NEITHER THIS SHEET NOR THE INFORMATION IT CONTAINS MAY BE USED BY OR DISCLOSED TO ANY THIRD PARTY WITHOUT PRIOR WRITTEN CONSENT OF COMPAL ELECTRONICS, INC.						
Size	Document Number	PIWG1/G2(LA-6751P/LA-6753P)			Rev	0.1
Custom	Date:	Friday, November 26, 2010	Sheet	49	of	54

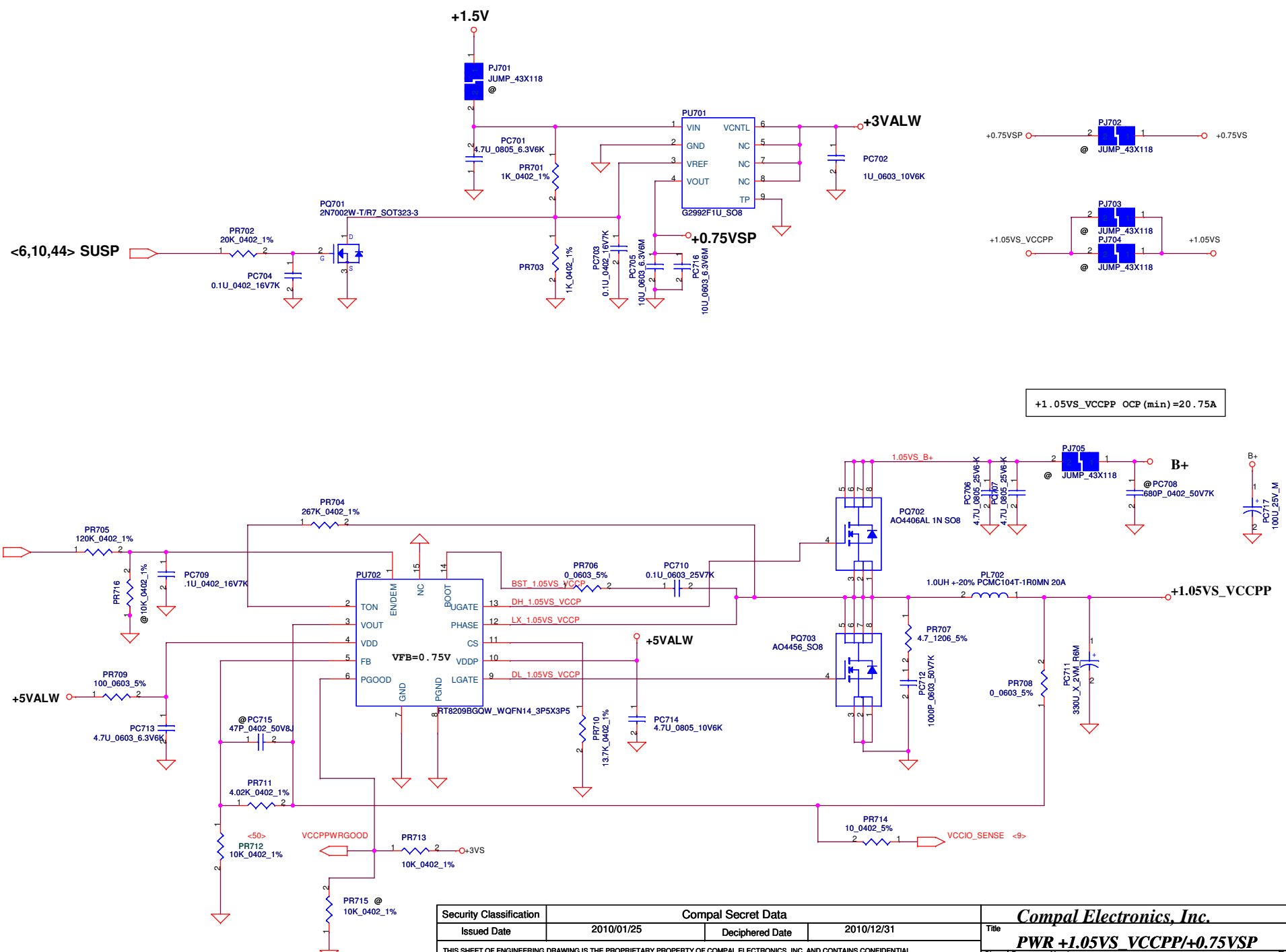


+VCCSAP OCP (min)=6.28A

+VCCSAP @ JUMP_43X118

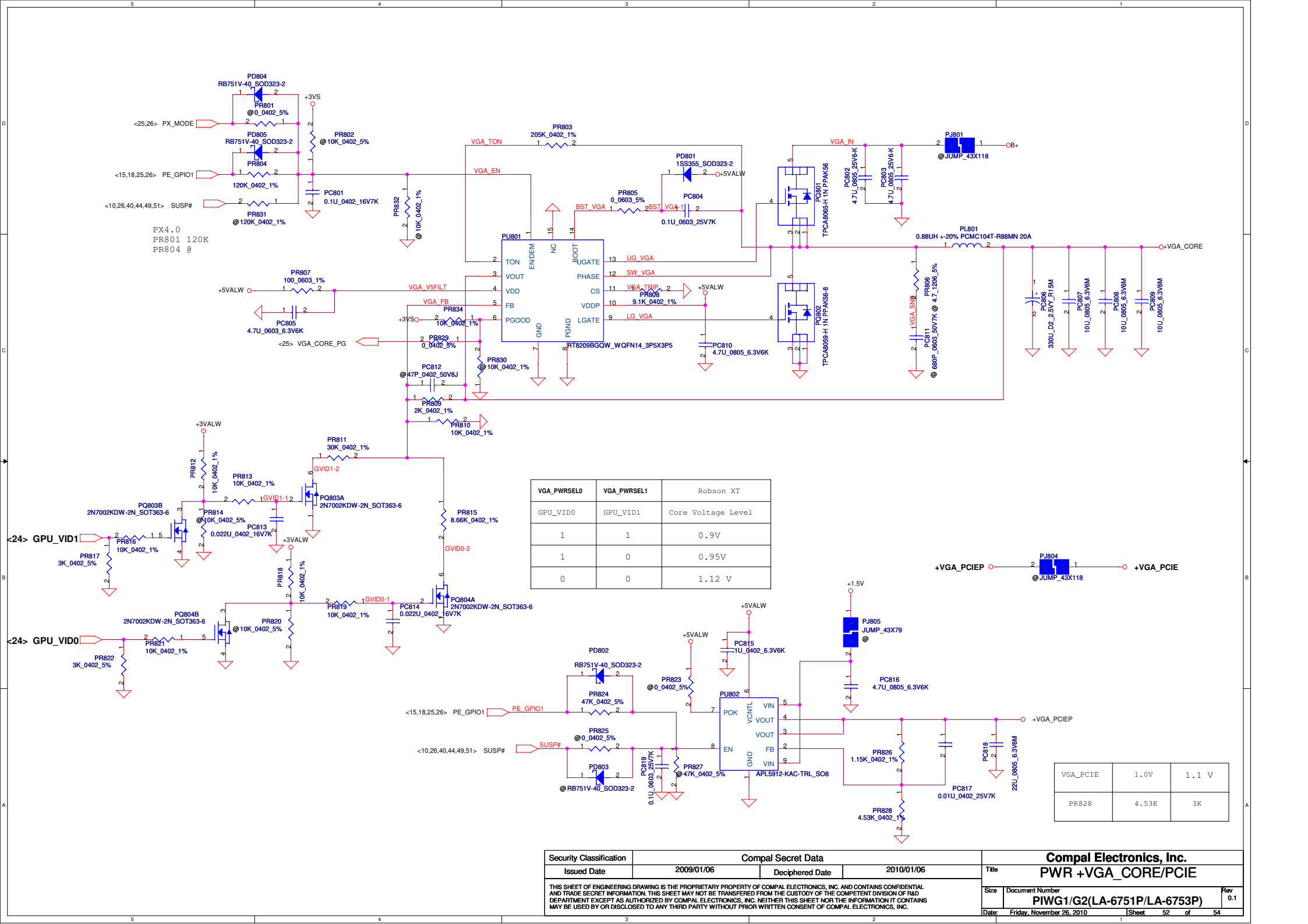
VID[0]	VID[1]	VCCSA Vout	Require on 2011/ 2012	Required
0	0	0.9 V	Yes/Yes	Yes/Yes
0	1	0.8 V	Yes/Yes	Yes/Yes
1	1	0.725V	No/Yes	No/Yes
1	1	0.675V	No/Yes	No/Yes

Note: Use VCCSA_SEL to switch High & Low Level for VID[1] (i.e. VCCSA_SEL) due to the VID[0] is don't care for this setting.



+1.05VS_VCCPP OCP (min) = 20.75A

Security Classification		Compal Secret Data		Compal Electronics, Inc.	
Issued Date	2010/01/25	Deciphered Date	2010/12/31	Title	PWR +1.05VS_VCCPP/+0.75VSP
THIS SHEET OF ENGINEERING DRAWING IS THE PROPRIETARY PROPERTY OF COMPAL ELECTRONICS, INC. AND CONTAINS CONFIDENTIAL AND TRADE SECRET INFORMATION. THIS SHEET MAY NOT BE TRANSFERRED FROM THE CUSTODY OF THE COMPETENT DIVISION OF R&D DEPARTMENT EXCEPT AS AUTHORIZED BY COMPAL ELECTRONICS, INC. NEITHER THIS SHEET NOR THE INFORMATION IT CONTAINS MAY BE USED BY OR DISCLOSED TO ANY THIRD PARTY WITHOUT PRIOR WRITTEN CONSENT OF COMPAL ELECTRONICS, INC.					
Size Custom	Document Number	PIWG1/G2(LA-6751P/LA-6753P)		Rev	0.1
Date:	Friday, November 26, 2010	Sheet	51	of	54



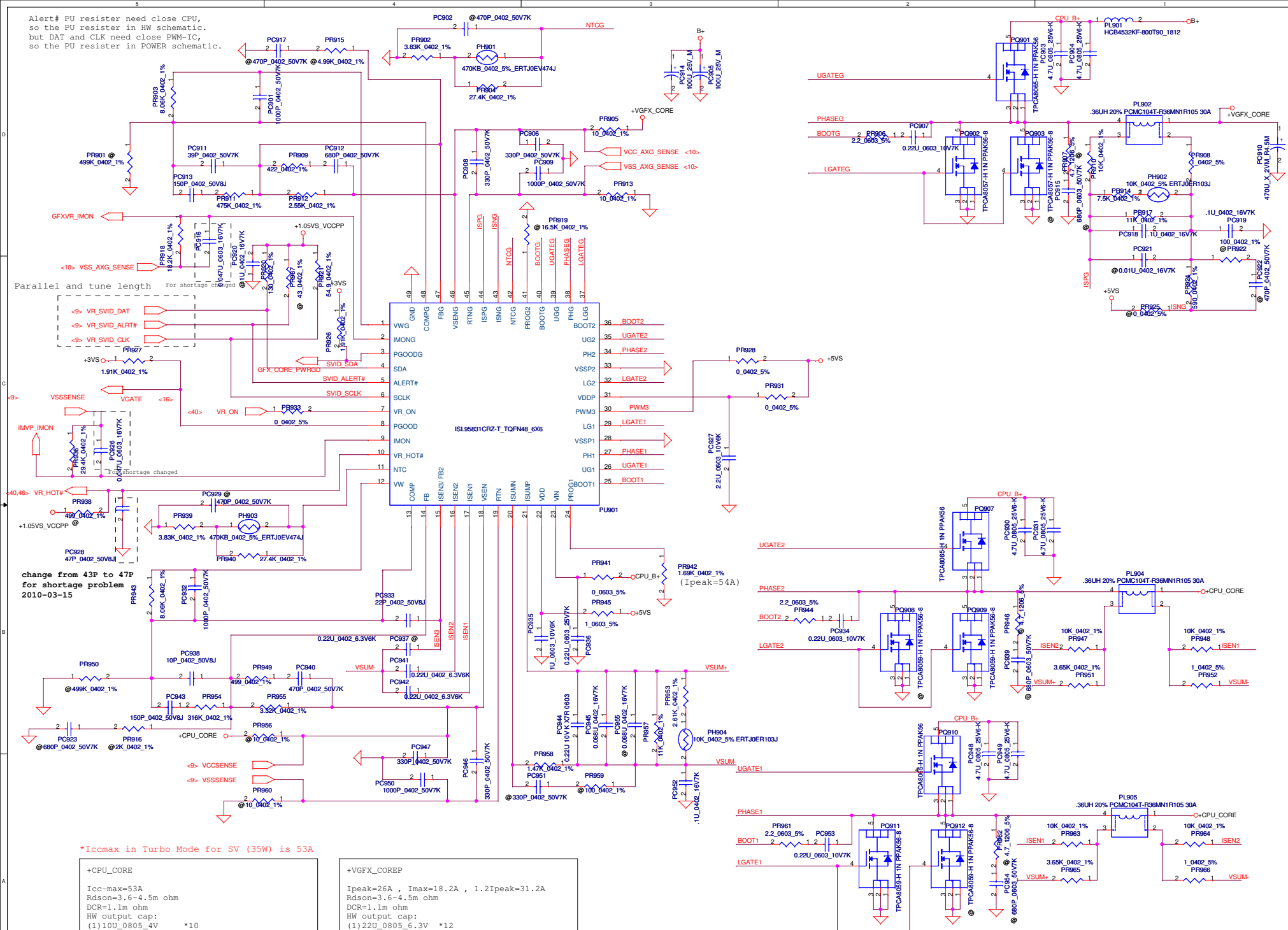
VGA_PWRSEL0	VGA_PWRSEL1	Robson XT
GPU_VID0	GPU_VID1	Core Voltage Level
1	1	0.9V
1	0	0.95V
0	0	1.12 V

VGA_PCIE	1.0V	1.1 V
PR828	4.53K	3K

Security Classification	Compal Secret Data	
Issued Date	2009/01/06	Deciphered Date
		2010/01/06
THIS SHEET OF ENGINEERING DRAWING IS THE PROPRIETARY PROPERTY OF COMPAL ELECTRONICS, INC. AND CONTAINS CONFIDENTIAL AND TRADE SECRET INFORMATION. THIS SHEET MAY NOT BE TRANSFERRED FROM THE CUSTODY OF THE COMPETENT DIVISION OF R&D DEPARTMENT EXCEPT AS AUTHORIZED BY COMPAL ELECTRONICS, INC. NEITHER THIS SHEET NOR THE INFORMATION IT CONTAINS MAY BE USED BY OR DISCLOSED TO ANY THIRD PARTY WITHOUT PRIOR WRITTEN CONSENT OF COMPAL ELECTRONICS, INC.		

Compal Electronics, Inc. PWR +VGA_CORE/PCIE		
Size	Document Number	Rev
	PIWG1/G2(LA-6751P/LA-6753P)	0.1
Date:	Friday, November 26, 2010	Sheet 52 of 54

Alert# PU resistor need close CPU, so the PU resistor in HW schematic. but DAT and CLK need close PWM-IC, so the PU resistor in POWER schematic.



*Iccmax in Turbo Mode for SV (35W) is 53A

+CPU_CORE
 Icc-max=53A
 Rds(on)=3.6-4.5m ohm
 DCR=1.1m ohm
 HW output cap:
 (1) 10U_0805_4V *10
 (2) 22U_0805_6.3V *15
 (3) 470U_D2_2V *4 (ESR=4.5m ohm)
 *OCp setting value=71.5A

+VGF_X_COREP
 Ipeak=26A, Imax=18.2A, 1.2Ipeak=31.2A
 Rds(on)=3.6-4.5m ohm
 DCR=1.1m ohm
 HW output cap:
 (1) 22U_0805_6.3V *12
 (2) 470U_D2_2V *2 (ESR=4.5m ohm)
 *OCp setting value=37A

Security Classification			
Compal Secret Data			
Issued Date	2010/01/25	Deciphered Date	2010/12/31

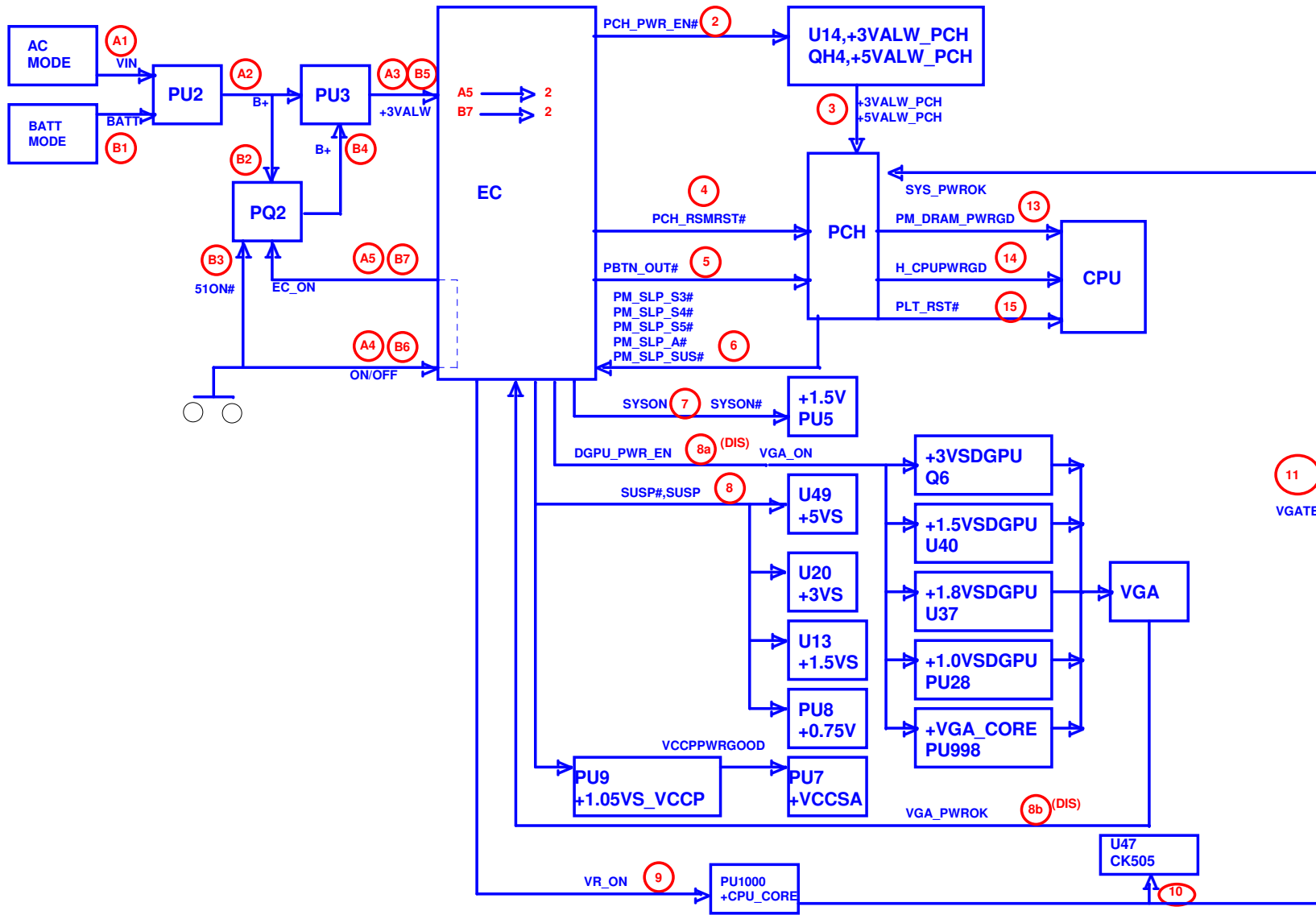
THIS SHEET OF ENGINEERING DRAWING IS THE PROPRIETARY PROPERTY OF COMPAL ELECTRONICS, INC. AND CONTAINS CONFIDENTIAL AND TRADE SECRET INFORMATION. THIS SHEET MAY NOT BE TRANSFERRED FROM THE CUSTODY OF THE COMPETENT DIVISION OF R&D DEPARTMENT EXCEPT AS AUTHORIZED BY COMPAL ELECTRONICS, INC. NEITHER THIS SHEET NOR THE INFORMATION IT CONTAINS MAY BE USED BY OR DISCLOSED TO ANY THIRD PARTY WITHOUT PRIOR WRITTEN CONSENT OF COMPAL ELECTRONICS, INC.

Compal Electronics, Inc.		
Title PWR +CPU_CORE/+VGF_X_CORE		
Size	Document Number	Rev
Custom	PIWG1/G2(LA-6751P/LA-6753P)	0.1
Date:	Friday, November 26, 2010	Sheet 53 of 54

Version change list (P.I.R. List)

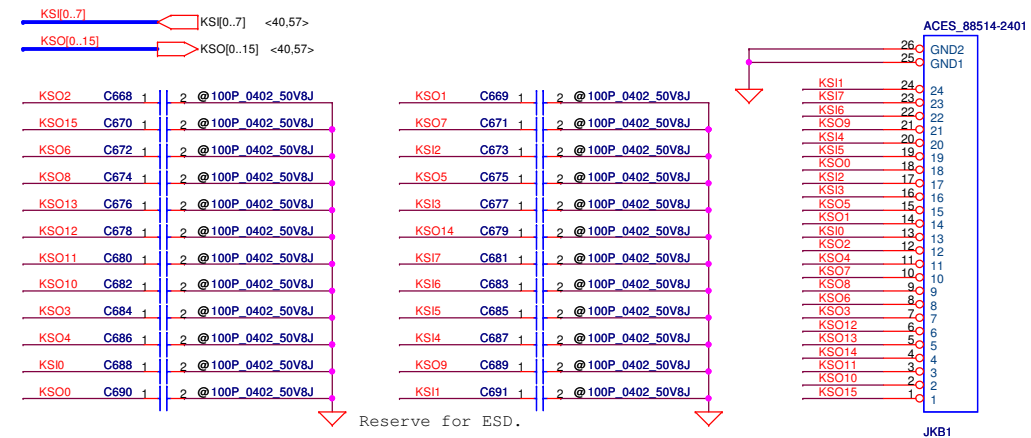
Item	Reason for change	PG#	Modify List	Date	Phase
1	To reduce charger ripple	47	Add PC323	2010.08.15	DVT
2	HW request for power sequence	51	Change +VGA_PCIE enable signal from PX_MODE to PE_GPIO1 PR804:120K PR831,PR801,PR825 UN-POP PR824:47K PC819:0.2uF	2010.08.15	DVT
3	Change Vboot setting	52	Change PR942 as 4.32K	2010.08.15	DVT
4	Change OCP setting	52	Change PR958 as 1.47K	2010.08.15	DVT
5	Add PC955 for loadline adjust	52	Add PC955	2010.08.15	DVT
6	Reserve pull low resistor	51	Add PR718,PR832	2010.09.29	PVT
7	Remove jump	51	Remove PJ802,PJ803	2010.09.29	PVT
8	Adapter protect circuit	46	Pop PR222,PR208,PH202,PR221,PQ204 Un-Pop PR223,PR203	2010.09.29	PVT
9	EMI Request	47	Remove PJ301 Add PL302 and reserve PC324	2010.09.29	PVT
10					
11					
12					
13					
14					
15					
16					
17					

Security Classification		Compal Secret Data		Compal Electronics, Inc.	
Issued Date	2009/01/06	Deciphered Date	2009/01/06	Title	
THIS SHEET OF ENGINEERING DRAWING IS THE PROPRIETARY PROPERTY OF COMPAL ELECTRONICS, INC. AND CONTAINS CONFIDENTIAL AND TRADE SECRET INFORMATION. THIS SHEET MAY NOT BE TRANSFERRED FROM THE CUSTODY OF THE COMPETENT DIVISION OF R&D DEPARTMENT EXCEPT AS AUTHORIZED BY COMPAL ELECTRONICS, INC. NEITHER THIS SHEET NOR THE INFORMATION IT CONTAINS MAY BE USED BY OR DISCLOSED TO ANY THIRD PARTY WITHOUT PRIOR WRITTEN CONSENT OF COMPAL ELECTRONICS, INC.				PIR (PWR)	
Size	Document Number	PIWG1/G2		Rev	0.1
Date:	Friday, November 26, 2010	Sheet	54	of	54

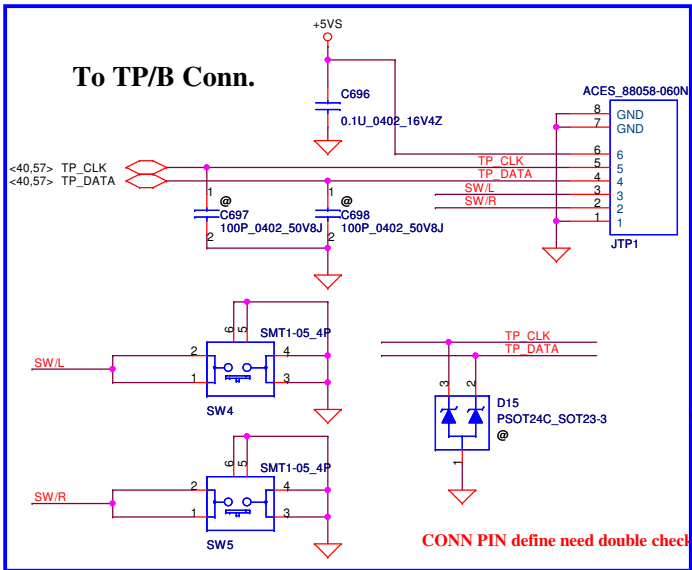


Security Classification	Compal Secret Data		Title	
Issued Date	2010/07/12	Deciphered Date	2012/07/11	Compal Electronics, Inc.
THIS SHEET OF ENGINEERING DRAWING IS THE PROPRIETARY PROPERTY OF COMPAL ELECTRONICS, INC. AND CONTAINS CONFIDENTIAL AND TRADE SECRET INFORMATION. THIS SHEET MAY NOT BE TRANSFERRED FROM THE CUSTODY OF THE COMPETENT DIVISION OF R&D DEPARTMENT EXCEPT AS AUTHORIZED BY COMPAL ELECTRONICS, INC. NEITHER THIS SHEET NOR THE INFORMATION IT CONTAINS MAY BE USED BY OR DISCLOSED TO ANY THIRD PARTY WITHOUT PRIOR WRITTEN CONSENT OF COMPAL ELECTRONICS, INC.				Power sequence
Size	Document Number	Rev		
Custom	LA-6751P	0.2		
Date:	Friday, November 26, 2010	Sheet	55	of 59

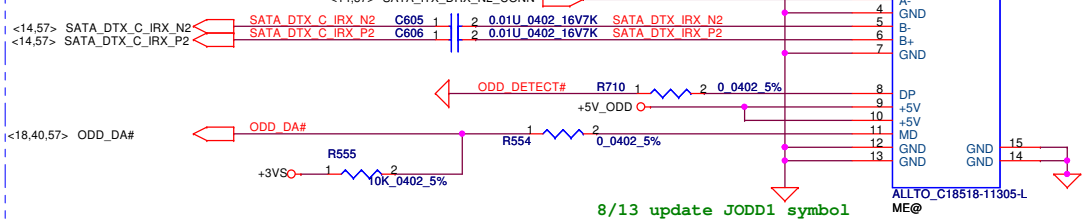
INT_KBD Conn.



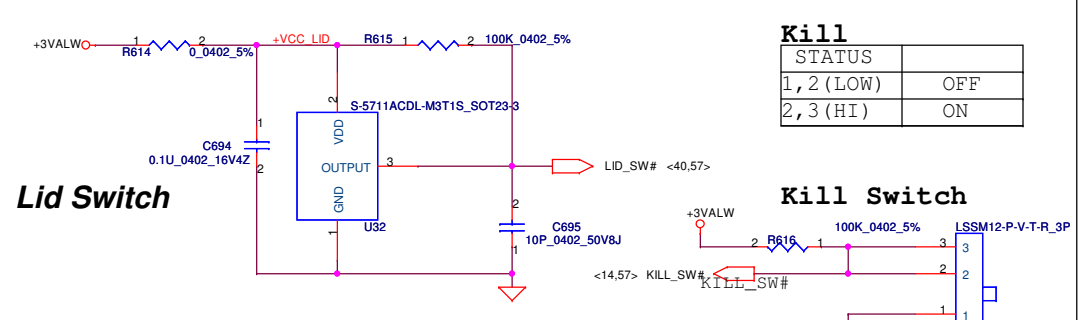
CONN PIN define need double check



SATA ODD Conn.

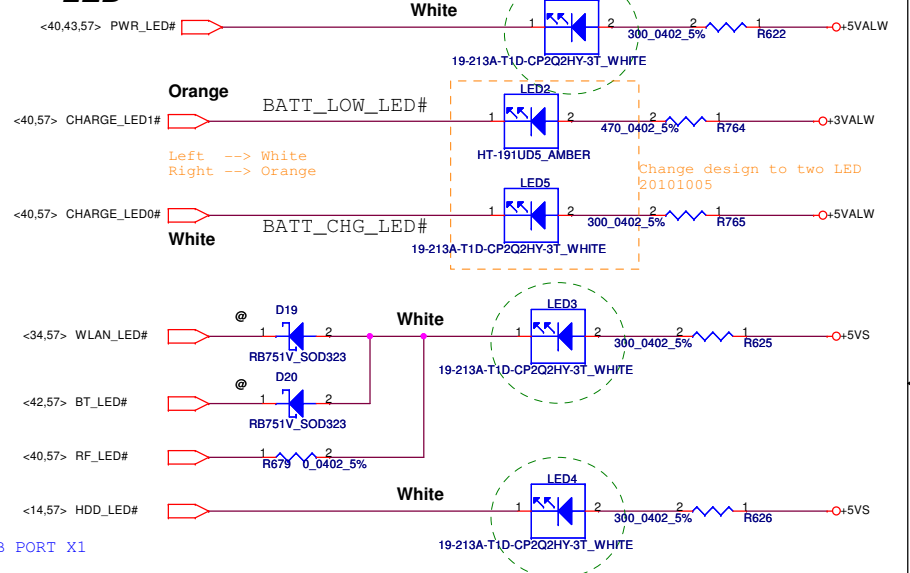


Lid Switch

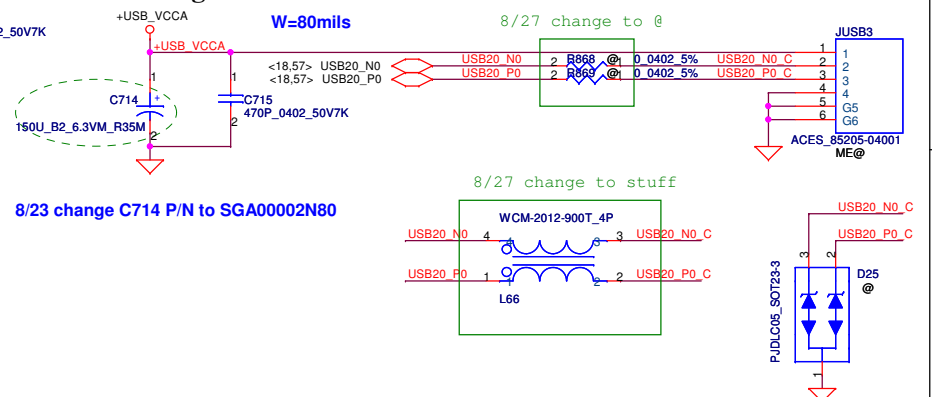


8/23 Change LED1/LED3/LED4 P/N to SC50000A300

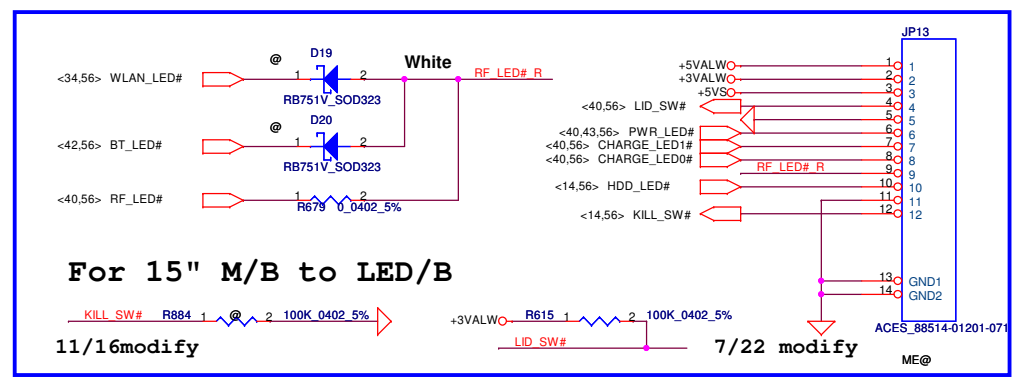
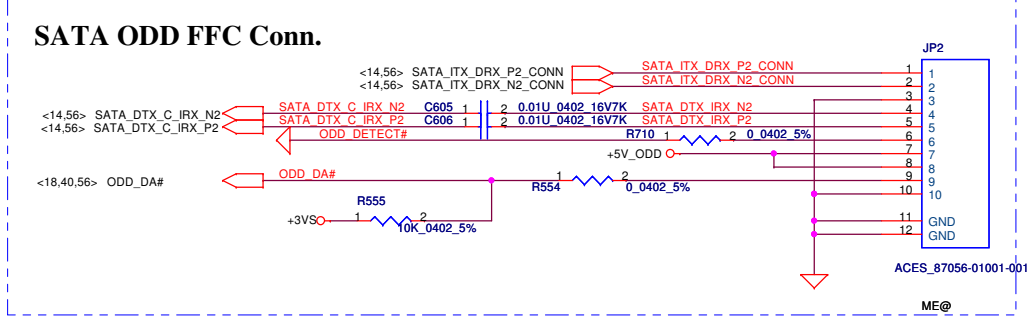
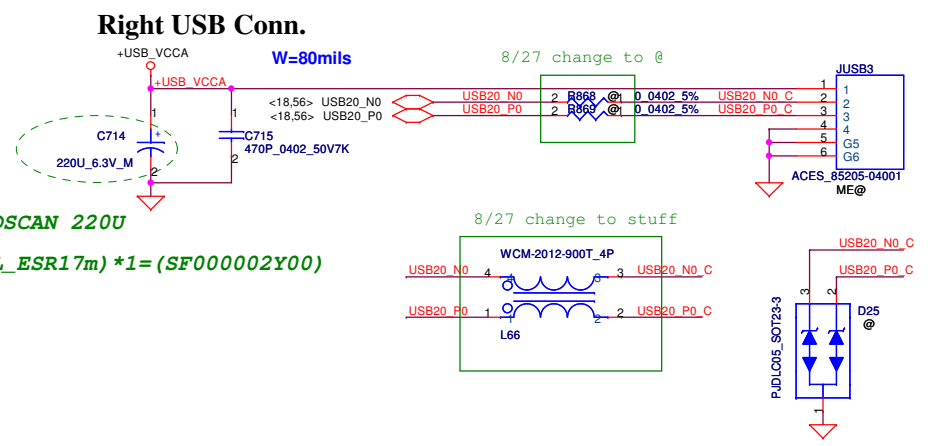
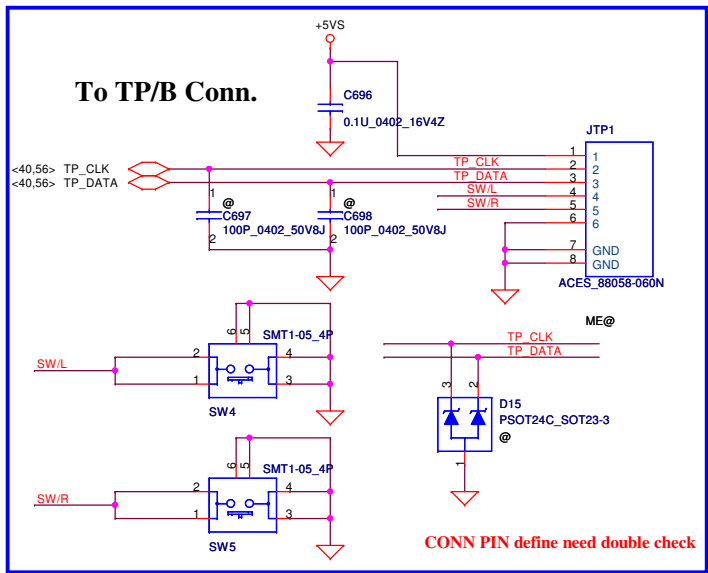
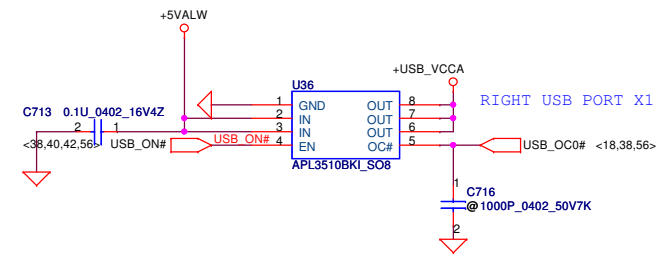
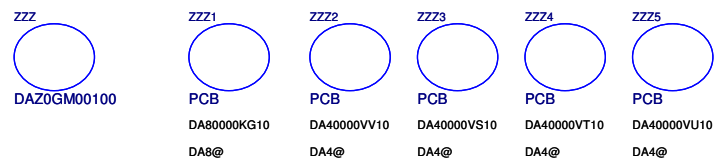
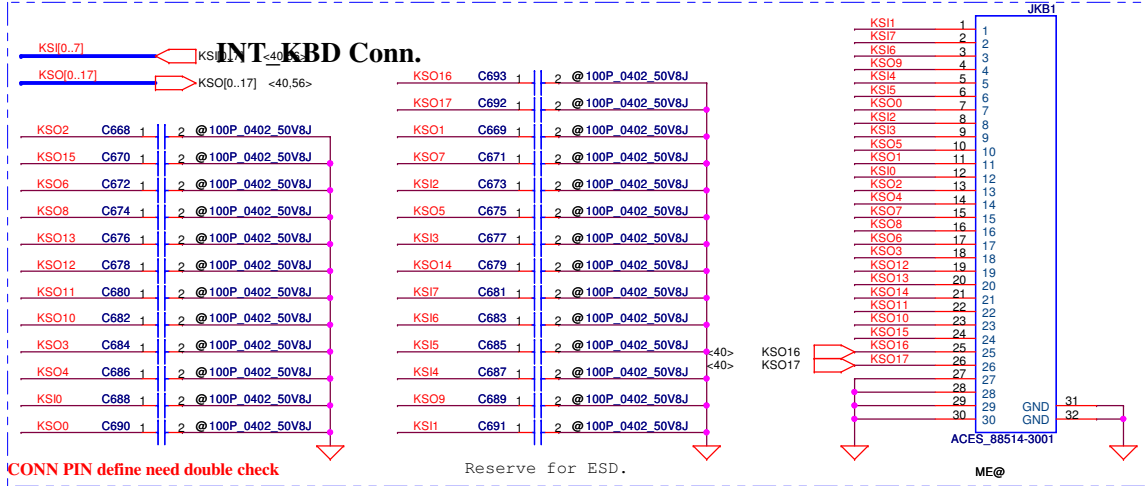
LED



Right USB Conn.



Security Classification		Compal Secret Data		Title	
Issued Date	2010/07/12	Deciphered Date	2012/07/11	Compal Electronics, Inc.	
THIS SHEET OF ENGINEERING DRAWING IS THE PROPRIETARY PROPERTY OF COMPAL ELECTRONICS, INC. AND CONTAINS CONFIDENTIAL AND TRADE SECRET INFORMATION. THIS SHEET MAY NOT BE TRANSFERRED FROM THE CUSTODY OF THE COMPETENT DIVISION OF R&D DEPARTMENT EXCEPT AS AUTHORIZED BY COMPAL ELECTRONICS, INC. NEITHER THIS SHEET NOR THE INFORMATION IT CONTAINS MAY BE USED BY OR DISCLOSED TO ANY THIRD PARTY WITHOUT PRIOR WRITTEN CONSENT OF COMPAL ELECTRONICS, INC.				KB /SW/ LPC Debug Conn.	
Size	Document Number	Rev		0.2	
B	LA-6751P	Date:		Friday, November 26, 2010	
		Sheet	56	of	59



Security Classification		Compal Secret Data		Title	
Issued Date	2010/07/12	Deciphered Date	2012/07/11	Compal Electronics, Inc.	
THIS SHEET OF ENGINEERING DRAWING IS THE PROPRIETARY PROPERTY OF COMPAL ELECTRONICS, INC. AND CONTAINS CONFIDENTIAL AND TRADE SECRET INFORMATION. THIS SHEET MAY NOT BE TRANSFERRED FROM THE CUSTODY OF THE COMPETENT DIVISION OF R&D DEPARTMENT EXCEPT AS AUTHORIZED BY COMPAL ELECTRONICS, INC. NEITHER THIS SHEET NOR THE INFORMATION IT CONTAINS MAY BE USED BY OR DISCLOSED TO ANY THIRD PARTY WITHOUT PRIOR WRITTEN CONSENT OF COMPAL ELECTRONICS, INC.				KB /SW/ LPC Debug Conn.	
Size	Document Number	Date		Rev	
B	LA-6751P	Friday, November 26, 2010		0.2	
Date		Sheet		of	
Friday, November 26, 2010		57		59	

PHASE	PAGE	Modification list	PURPOSE
0.2	P31	Change CRT Symbol	For CRT footprint issue
0.2	P31	Del C510	For Non-used part
0.2	P39	change C610 pin 1 net name	change C610 pin 1 net name to correct
0.2	P35	U25 change to U26	For co-lay 10/100 and GIGA
0.2	P32	Add R735,R736	For DIS only SMBus pull high
0.2	P33	Add R738,R739	For DIS only SMBus pull high
0.2	P33	Change Q63 BOM structure to HDMI@	For DIS HDMI function
0.2	P40	Add R740, C93	For EC request
0.2	P18	Change R215 pin1 net name	Change R215 pin1 net name to correct
0.2	P18	Add R741	Add R741 for Reserved PE_GPIO0
0.2	P16	Add R742, R743	For PCH power sequence
0.2	P38	Del U28, R542-R551, J12	Del USB charger circuit
0.2	P40	Add EC pin 97,98,103	Add EC pin 97 for SYS_PWROK_EC, pin 98 for CE_EN, pin 103 for BATT_SEL_EC
0.2	P24	Change R662 pin 2 net name	Change R662 pin 2 net name to correct
0.2	P28	Del C421,C422,C431,C432,C433, L27, Add R745, U8 pin N11,N12 change to NC	For AMD new document suggestion
0.2	P26	Add R744	Add R744 for control PE_GPIO1 from SUSP#
0.2	P39	Change J10 footprint and Add J13	Change J10 footprint by Dfx request and Add J13 by vendor suggestion
0.2	P39	Change PC_Beep circuit	Change PC_Beep circuit
0.2	P6	Add R161, R182, R192 BOM structure hange to @	Follow ORB circuit
0.2	P58/59	Add R615 in 15" and 17" page	Pull high LID_SW# at M/B side
0.2	P31	Add Q83 pin 1 power net name +CMOS_PW	For power trace net
0.2	P56/57/58	Change JF21 to JKBl	Change connector to standard name
0.2	P56/57/58	Change JF4 to JTP1	Change connector to standard name
0.2	P43/60	Change JP6 to JPPWRB1	Change connector to standard name
0.2	P34	Change JP1 to JWLN1	Change connector to standard name
0.2	P42	Change JP5 to JBT1	Change connector to standard name
0.2	P43/60	Change JP7 to JCR1	Change connector to standard name
0.2	P19	Add R542	For ESATA detect function
0.2	P42	Add R886, R887, C735	For ESATA detect function
0.2	P31	Add R543	For reserve EC control directly
0.2	P39	Change J10 footprint, Del C635, C636	Change J10 for Dfx and Del component for layout
0.2	P42	Add R877	For reserve EC control directly
0.2	P42	SW3 BOM structure change to @	For ME ASSY concern
0.2	P24	R324 BOM structure change, del @	For AMD update
0.2	P25	Change Q69,Q70,Q71,Q72 to BSS138, change Q66,Q67 pin 1 net name, D28 change to @	For Change BACO part follow AMD reference DATA ,D28 change to @ for leakage
0.2	P42	Change ESATA from port 5 to port 4	For intel risk
0.2	P15	Add R544,R545	For Pull high SMBus
0.2	P12/13	Del R74-R80,R82 R88-R94,R96	For DDR3 DM Bus to GND
0.2	P16	Add R182,R546	Add 186 for reserve sequence, Add R546 for follow CRB & ORB
0.2	P20	Del Add J12, R257 change to @	For voltage drop
0.2	P26	R161 Change Q6 to U14	Change SI2301 to SI4800 for loading current
0.2	P6	R161 change to 100K	Follow CRB
0.2	P19	Add R547, R250 change to @	Follow Module and CRB
0.2	P18	WLAN USB port for port8 to port9	For debug port
0.2	P25	AND Gate power change to +3VGS	For VGA circuit
0.2	P24	Add R548, R549	For DIS HDMI audio strap
0.2	P39	Del J13	For layout space
0.2	P20,39,42	Add C395, R581, R583, R584, R586, R587	For customer request reserved
0.2	P20	Add C129, C396, Del R264	For reserved
0.2	P40	Add PIN 66, R740,C93 change to @	Add IMVP_IMON
0.2	P9	Add R74	For VCCIO_SENSE / VSSIO_SENSE differential routing

Security Classification		Compal Secret Data		Compal Electronics, Inc. KB /SW /LPC Debug Conn.	
Issued Date	2010/07/12	Deciphered Date	2012/07/11		
<small>THIS SHEET OF ENGINEERING DRAWING IS THE PROPRIETARY PROPERTY OF COMPAL ELECTRONICS, INC. AND CONTAINS CONFIDENTIAL AND TRADE SECRET INFORMATION. THIS SHEET MAY NOT BE TRANSFERRED FROM THE CUSTODY OF THE COMPETENT DIVISION OF R&D DEPARTMENT EXCEPT AS AUTHORIZED BY COMPAL ELECTRONICS, INC. NEITHER THIS SHEET NOR THE INFORMATION IT CONTAINS MAY BE USED BY OR DISCLOSED TO ANY THIRD PARTY WITHOUT PRIOR WRITTEN CONSENT OF COMPAL ELECTRONICS, INC.</small>				Title LA-6751P	Rev 0.2
Size	Document Number			Date	
B				Friday, November 26, 2010	
			Sheet 58 of 59		

PHASE	PAGE	Modification list	PURPOSE
0.2	P33	Del RQ51 ~ Q54 Add Q95	For DIS HDMI
0.2	P39	Del J10, C637, C640, R576, R577, R579 change to @ , L40-L43 change to R720-R723 Del C643, R578 , MIC_INR connect MIC_INL , Add R578	For Vendor suggestion and EMI Del C653, R578 connect MIC_INR/L for vendor suggestion , Add R578 for EMI
0.2	P20	Add L75 , R264 , C917, R259 C226 change to @	For intel PDDG update
0.2	P20	Change JCR1 pin define , MIC change with HP	For correct ID
0.2	P9	Add C394, C397 , C400 , Add R75	For CPU_CORE power reserved at Bottom side, Add R75 for reserved at cpu side and pwr side
0.2	P26	Add R688 change to 20k, R345 change to 200k , R350 change to 330k , Q65 stuff	For VGA power sequence
0.2	P42	Change C706 P/N to SF000001500	Change to H=6 OSCAN
0.2	P10	Change CI28 to @	For Reserved
0.2	P26	Change D3 change to @	For VGA leakage
0.2	P25	Change BIF_VDDC control pin net name	For correct behavior
0.2	P56	Update JODDI symbol	For ME update drawing
0.2	P16	D29 change to @	For AC detect issue
0.2	P24	R548, R549 change to DIS@	For AC detect issue
0.2	P10	CI28 change to stuff	For test on DVT
0.2	P44	Del Q118, R657	For not need
0.2	P57	Change I5" C714 to OSCAN	For ME Space ok
0.2		Change R513, R516 , R667 P/N and from 0805 to 0603	For common part
0.2		Change C633, C634 , C642	For common part
0.2		Change D3, D29 P/N and symbol	For common part
0.2		Change U3, U11, U13, U14, U38, U39 P/N and symbol	For common part
0.2		Change U3, U11, U13, U14, U38, U39 P/N and symbol	For common part
0.2		Change Q8, Q65, Q80, Q83, Q99, Q104 P/N and symbol	For common part
0.2		Change Q1, Q37, Q93 P/N and symbol	For common part
0.2		Change Q94, Q95 P/N and symbol	For common part
0.2		Change Q3, Q4, Q7, Q9, Q66, Q67, Q68, Q73, Q74, Q75, Q76, Q77, Q78, Q79, Q82, Q85, Q86, Q87, Q102, Q106, Q107, Q108, Q109, Q110, Q111, Q112, Q113, Q114, Q115, Q116 P/N and symbol	For common part
0.2	P43	Change C635 part and change to @	For EMI
0.2	P18	Reserved R551	Reserved
0.2	P9	Change C53, C85, C86, C87 , C394, C397, C400 to stuff and change C48, C80, C81, C82, C89, C90, C91 to @	For CPU_CORE
0.2	P10	Change C110, C111, C112, C113 to stuff	For VGF_X_CORE
0.2	P56	Change LED1/LED3/LED4 P/N to SC50000A300	Change P/N
0.2	P36	Change T1, T2 P/N to SP050003N00	For test pass part
0.2	P40	Change R611, R740, C93 to stuff and change Y5, C347, C367 to @ Change R695 to 18K, Q37 change to @, R747 change to stuff,	For SUS_CLK R695 for Board ID, Q37, R747 for VR_HOT
0.2	P41	Change U33 P/N to SA00003FL10	For BIOS ROM
0.2		Change C509, C511, C635 to stuff	For EMI request
0.2	P56	Change I4" C714 P/N to SGA00002N80	For Sourcer request
0.2	P39	Change R720, R721, R722, R723 P/N to SM01000BZ00 (Bead), and Change C647, C649, C650, C651 to Stuff	For EMI request
0.2	P19	Change R303 to Stuff, and change R542 to @	For BIOS ESATA detect function
0.2	P56	Change U32 P/N to SA00003IC00	For common part
0.2	P36	Change T1, T2 P/N to SP050006E00	For correct part
0.2	P10	R688 change to stuff , R687 , Q7 change to @	For S3 power reduction
0.2		Change R660, R661, R862, R863, R864, R865, R868, R869 to @ , change L63, L64, L65, L66 to stuff , change R619 to Bead (SM01000DI00)	For EMI
0.2	P20	Change L75 symbol	For common part

Security Classification		Compal Secret Data		Compal Electronics, Inc.	
Issued Date	2010/07/12	Deciphered Date	2012/07/11	Title	
THIS SHEET OF ENGINEERING DRAWING IS THE PROPRIETARY PROPERTY OF COMPAL ELECTRONICS, INC. AND CONTAINS CONFIDENTIAL AND TRADE SECRET INFORMATION. THIS SHEET MAY NOT BE TRANSFERRED FROM THE CUSTODY OF THE COMPETENT DIVISION OF R&D DEPARTMENT EXCEPT AS AUTHORIZED BY COMPAL ELECTRONICS, INC. NEITHER THIS SHEET NOR THE INFORMATION IT CONTAINS MAY BE USED BY OR DISCLOSED TO ANY THIRD PARTY WITHOUT PRIOR WRITTEN CONSENT OF COMPAL ELECTRONICS, INC.				HW-PIR	
				Size B	Document Number
				LA-6751P	
				Date:	Friday, November 26, 2010
				Sheet	59 of 59

PHASE PAGE Modification list

PURPOSE

0.3	P10	Update Q5 symbol	For update symbol
0.3	P33	Add F2	For safty request
0.3	P39	Update U30 P/N to SA00003K410 and Add R879	For Audio update to 21Z
0.3	P10	Change CI28 to D2 size and e	Change size for M/E issue
0.3	P14	Add reserve R878	For Intel DG 1.5
0.3	P37	C592 change P/N to SF000001500 (H=6)	For ME Z high ok
0.3	P25	Update Q69-Q72 to A03414 ,D28 R873 change to BACO@ , U40 change to @	For PX4.0
0.3	P28	Add reserve C94	For reserve VGA_CORE
0.3	P29	R369 P/N change to SD034100A80	For GP part
0.3	P18	R553,R691,R684,R682,U12 change to PX@	For PX 4.0
0.3	P6	Reserved R880 to SYS_PWR0K	Follow ORB
0.3	P10	R62,R63 change to 1K	Follow CRB
0.3	P19	R303 change to @, Change M/B ID to PX4.0	For ESATA and PX4.0
0.3	P25	Q69-Q72 change to BACO @	For PX4.0
0.3	P26	R719 change to stuff, R744 change to @ , R677 change to BACO@	For PX4.0
0.3	P33	R483,R484 change connect to +5V_HDMI_F	For Add F2
0.3	P37	Change U27 P/N to SA000046C00	For Fintek
0.3	P40	Change R594 pull high to +5VALW	For leakage issue
0.3	P19	R881 change to Dstuff, R244 change to @	For intel MRC Rev0.9
0.3	P14	R878 change to stuff	For intel DG 1.5
0.3	P31	Del R432	For non-used part
0.3	P36	Reserved D31 , C643 , C644	For reserved EMI parts
0.3	P37	Del R581	For non-used part
0.3	P38	Del R550	For non-used part
0.3	P38	Change C592 P/N to SF000002Y00	For M/E Z high limlt
0.3	P39	Del R584, R586 , R587	For non-used part
0.3	P40	Change R600, R604 to 2.2K Change R695 to 8.2k	Change R600, R604 for Battery SMBus, R695 for Board ID
0.3	P42	Del R583	For non-used part
0.3	P6	Reserved R882 connect to PCH_PWR0K	Reserved for intel
0.3	P56	R765 change to 300 ohm	For LED
0.3	P25	R324, R744 , R674 change DIS@	For DIS only sku

Security Classification		Compal Secret Data		Compal Electronics, Inc.			
Issued Date	2010/07/12	Deciphered Date	2012/07/11	Title			
<small>THIS SHEET OF ENGINEERING DRAWING IS THE PROPRIETARY PROPERTY OF COMPAL ELECTRONICS, INC. AND CONTAINS CONFIDENTIAL AND TRADE SECRET INFORMATION. THIS SHEET MAY NOT BE TRANSFERRED FROM THE CUSTODY OF THE COMPETENT DIVISION OF R&D DEPARTMENT EXCEPT AS AUTHORIZED BY COMPAL ELECTRONICS, INC. NEITHER THIS SHEET NOR THE INFORMATION IT CONTAINS MAY BE USED BY OR DISCLOSED TO ANY THIRD PARTY WITHOUT PRIOR WRITTEN CONSENT OF COMPAL ELECTRONICS, INC.</small>				HW-PIR			
				Size	Document Number	Rev	
				LA-6751P		0.2	
Date:	Friday, November 26, 2010	Sheet	60	of	60		