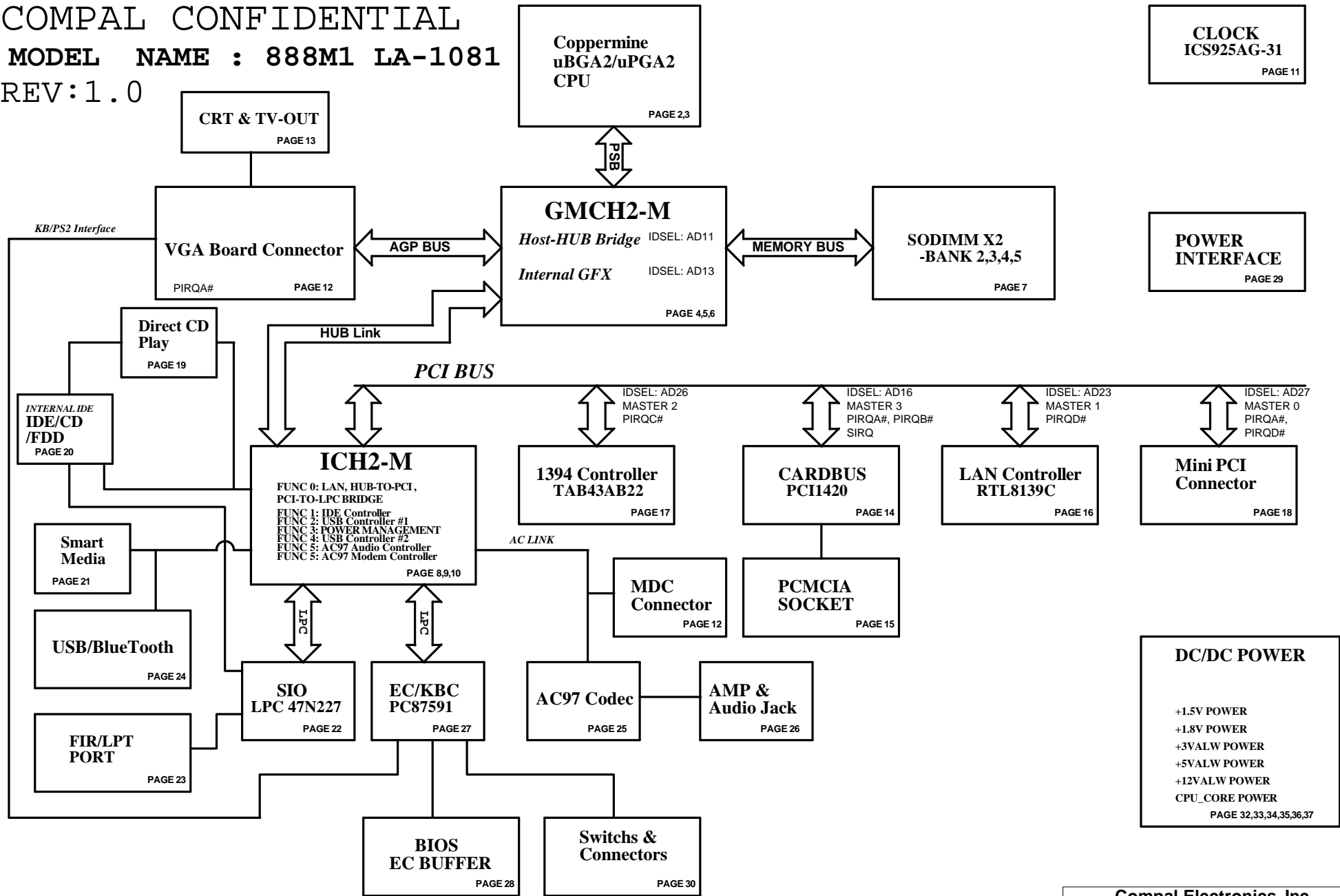
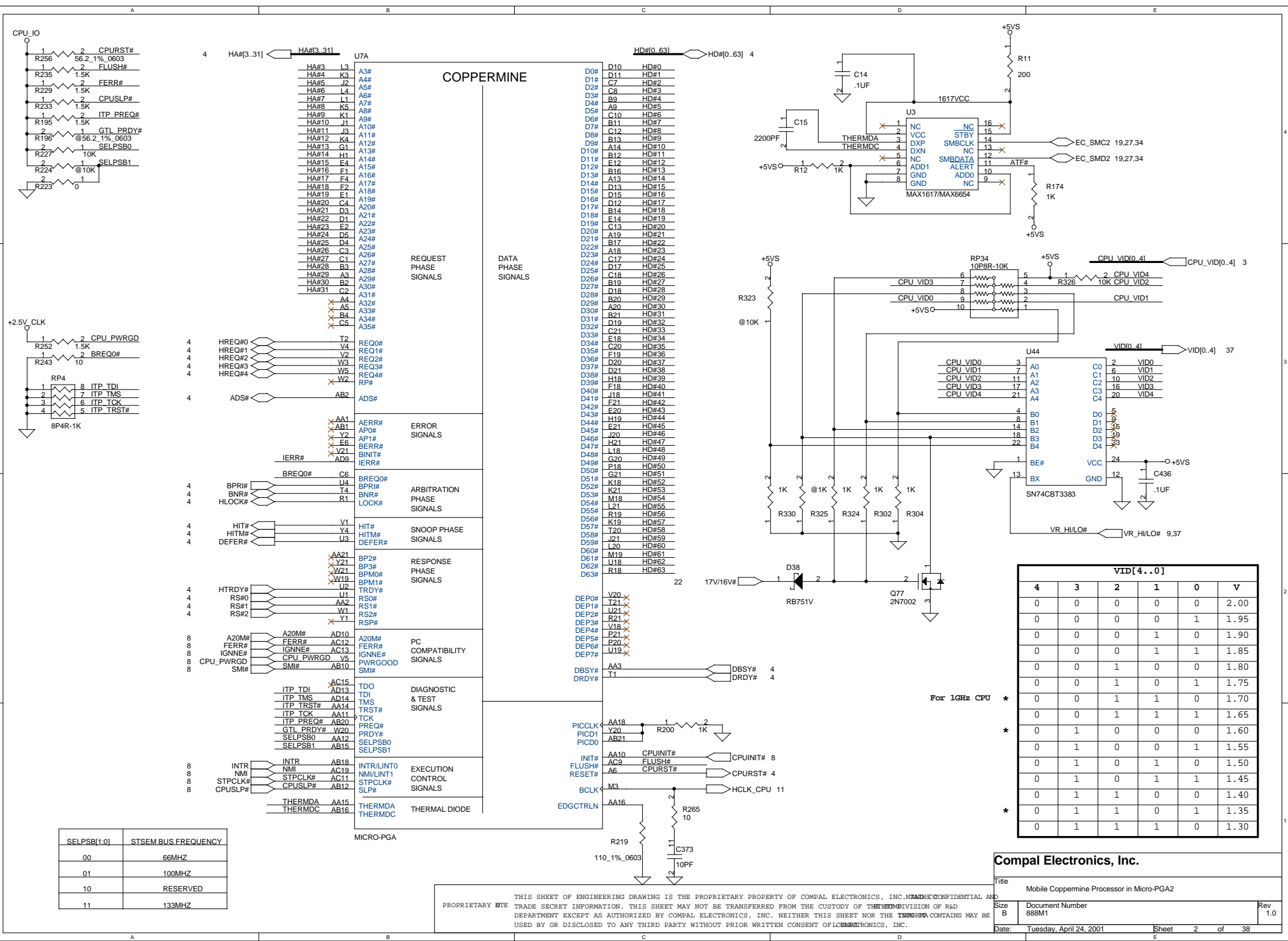


COMPAL CONFIDENTIAL
 MODEL NAME : 888M1 LA-1081
 REV:1.0



Compal Electronics, Inc.			
Title	888M1 COVER SHEET		
Size	Document Number	Rev	
B	888M1	1.0	
Date:	Tuesday, April 24, 2001	Sheet	1 of 38

PROPRIETARY NOTE THIS SHEET OF ENGINEERING DRAWING IS THE PROPRIETARY PROPERTY OF COMPAL ELECTRONICS, INC. AND IS UNCLASSIFIED AND CONFIDENTIAL INFORMATION. THIS SHEET MAY NOT BE TRANSFERRED FROM THE CUSTODY OF THE DESIGN DIVISION OF R&D DEPARTMENT EXCEPT AS AUTHORIZED BY COMPAL ELECTRONICS, INC. NEITHER THIS SHEET NOR THE DRAWING IT CONTAINS MAY BE USED BY OR DISCLOSED TO ANY THIRD PARTY WITHOUT PRIOR WRITTEN CONSENT OF COMPAL ELECTRONICS, INC.



SELPSB1:0	STSEM BUS FREQUENCY
00	66MHZ
01	100MHZ
10	RESERVED
11	133MHZ

VID[4..0]					
4	3	2	1	0	V
0	0	0	0	0	2.00
0	0	0	0	1	1.95
0	0	0	1	0	1.90
0	0	0	1	1	1.85
0	0	1	0	0	1.80
0	0	1	0	1	1.75
0	0	1	1	0	1.70
0	0	1	1	1	1.65
0	1	0	0	0	1.60
0	1	0	0	1	1.55
0	1	0	1	0	1.50
0	1	0	1	1	1.45
0	1	1	0	0	1.40
0	1	1	1	0	1.35
0	1	1	1	1	1.30

Compal Electronics, Inc.

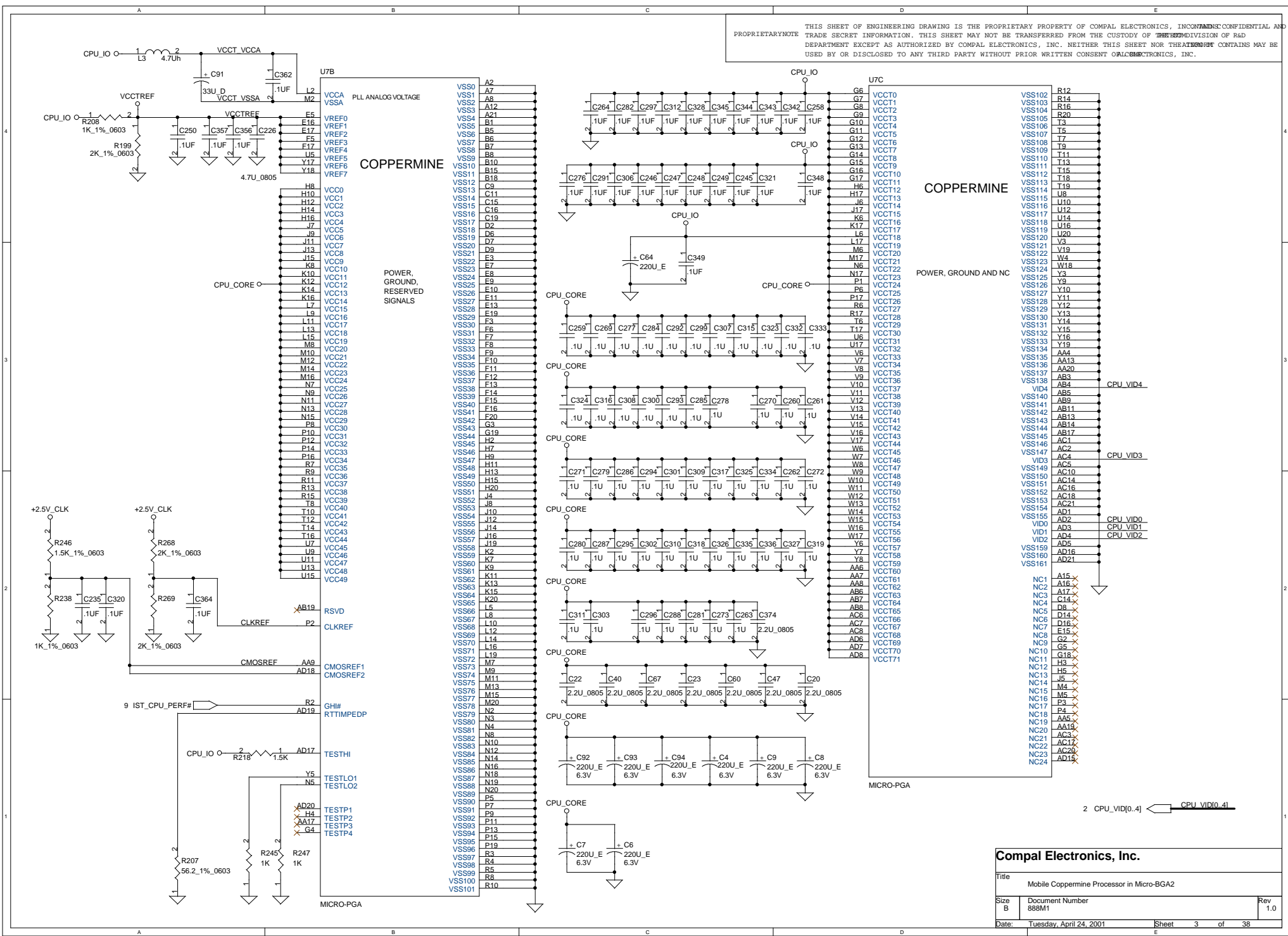
Title: Mobile Coppermine Processor in Micro-PGA2

Size: B Document Number: 888M1 Rev: 1.0

Date: Tuesday, April 24, 2001 Sheet: 2 of 38

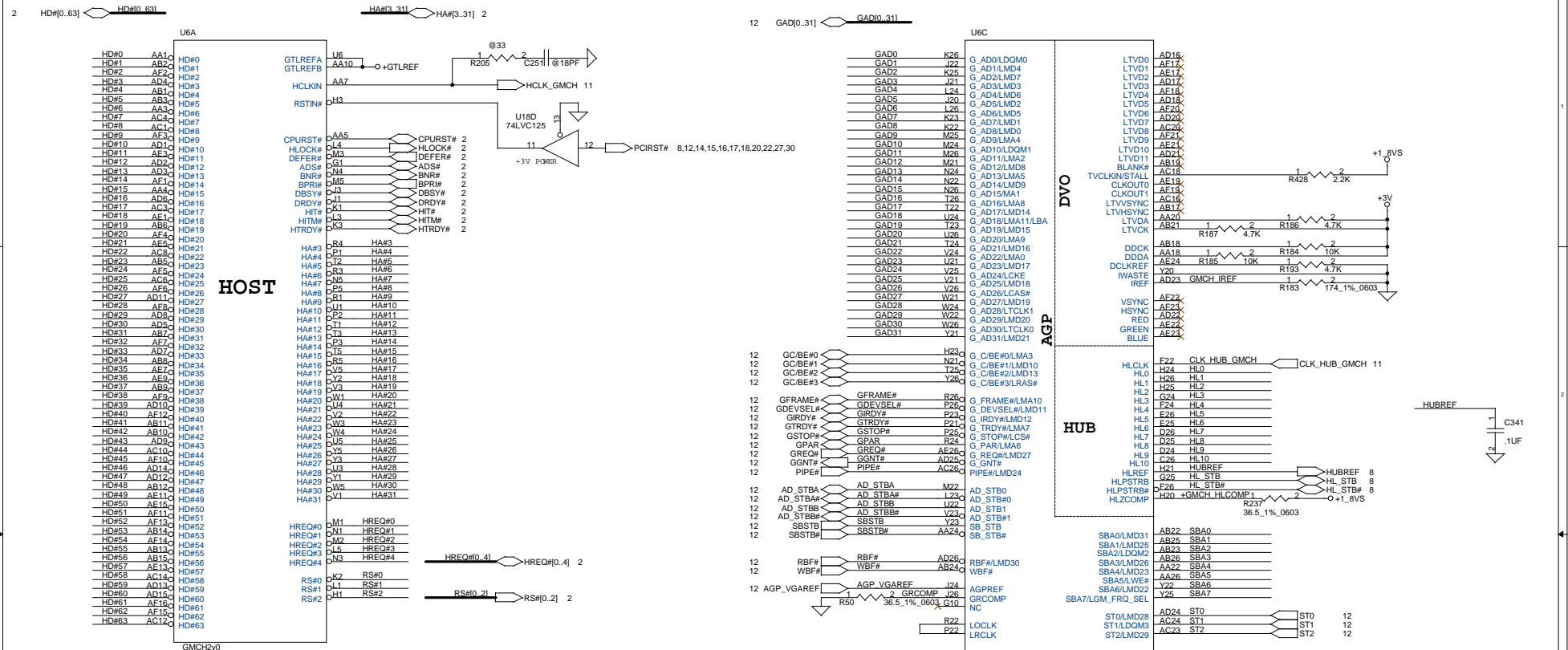
THIS SHEET OF ENGINEERING DRAWING IS THE PROPRIETARY PROPERTY OF COMPAL ELECTRONICS, INC. AND IS UNCLASSIFIED AND PROPRIETARY BY TRADE SECRET INFORMATION. THIS SHEET MAY NOT BE TRANSFERRED FROM THE CUSTODY OF THE DESIGN DIVISION OF R&D DEPARTMENTS EXCEPT AS AUTHORIZED BY COMPAL ELECTRONICS, INC. NEITHER THIS SHEET NOR THE INFORMATION CONTAINED HEREIN MAY BE USED BY OR DISCLOSED TO ANY THIRD PARTY WITHOUT PRIOR WRITTEN CONSENT OF COMPAL ELECTRONICS, INC.

PROPRIETARY NOTE THIS SHEET OF ENGINEERING DRAWING IS THE PROPRIETARY PROPERTY OF COMPAL ELECTRONICS, INC. THIS SHEET MAY NOT BE TRANSFERRED FROM THE CUSTODY OF THE DESIGN DIVISION OF R&D DEPARTMENT EXCEPT AS AUTHORIZED BY COMPAL ELECTRONICS, INC. NEITHER THIS SHEET NOR THE ATTACHMENT CONTAINS ANY INFORMATION THAT MAY BE USED BY OR DISCLOSED TO ANY THIRD PARTY WITHOUT PRIOR WRITTEN CONSENT OF COMPAL ELECTRONICS, INC.

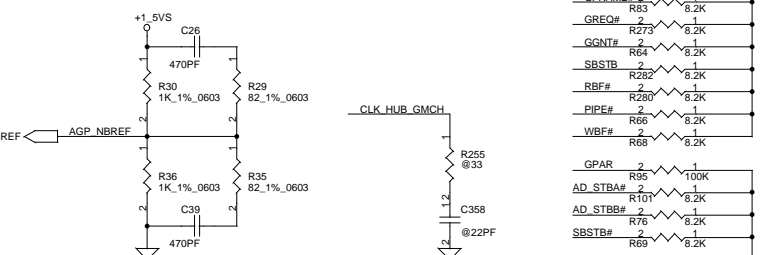


Compal Electronics, Inc.		
Title: Mobile Coppermine Processor in Micro-BGA2		
Size B	Document Number 888M1	Rev 1.0
Date: Tuesday, April 24, 2001	Sheet 3 of 38	

GMCH2-M-1/3(GTL+,AGP,HUB)



TYPEDET#	+VDDQ	AGP-REF
0	1.5V	0.5VDDQ
1	3.3V	0.4VDDQ



Place reference circuitry near GMC H2-M

Compal Electronics, Inc.

GMCH2-M-1/3(GTL+,AGP,HUB)

Title: _____

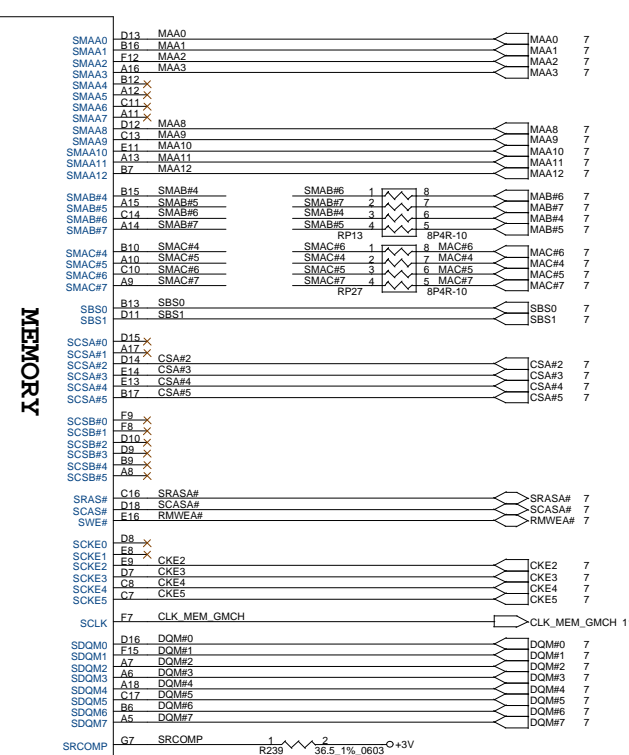
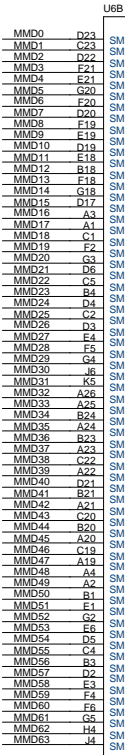
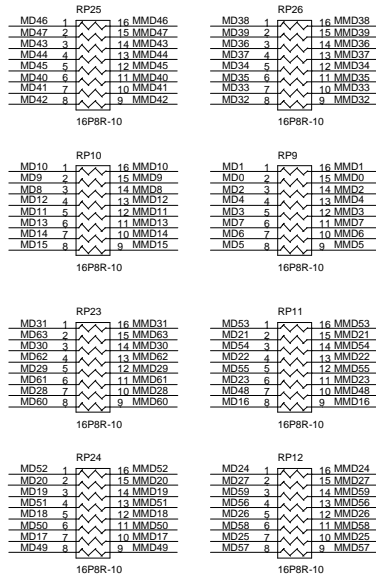
Size: _____ Document Number: **888M1** Rev: 1.0

Date: Tuesday, April 24, 2001 Sheet: 4 of 38

THIS SHEET OF ENGINEERING DRAWING IS THE PROPRIETARY PROPERTY OF COMPAL ELE AND CONTAINS CONFIDENTIAL TRADE SECRET INFORMATION. THIS SHEET MAY NOT BE TRANSFERRED FROM THE E COMPONENT DIVISION OF DEPARTMENT EXCEPT AS AUTHORIZED BY COMPAL ELECTRONICS, INC. NEITHER THIS SI INFORMATION IT CONTAINS M USED BY OR DISCLOSED TO ANY THIRD PARTY WITHOUT PRIOR WRITTEN COMPAL ELECTRONICS, I

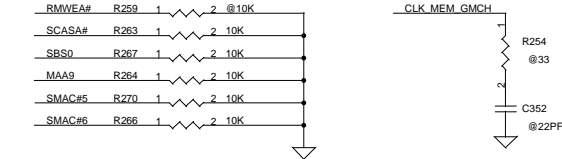
GMCH2-M-2/3(SDRAM)

7 MD[0..63]



Power-Up Strap Options				
Pin Name	Strap Description	Configuration	Interface	Internal
SCAS#	Host Freq.	"H" : 133MHz (Default) "L" : 100MHz	System Memory	PULL_UP
SWE#	Host Freq.	"H" : 100MHz (Default) "L" : 66MHz	System Memory	PULL_UP
SMAA11	IOQ Depth	"H" : 4 (Default) "L" : 1	System Memory	PULL_UP
SMAA9	ALL Z	"H" : Normal "L" : All Z	System Memory	PULL_UP
SMAA9	FSB P-MOS Kicker Enable	"H" : Enabled (Default) "L" : Disabled (Cumine)	System Memory	PULL_UP
SMAC6#	Enable VCH Serial Programming Mode	"H" : Enabled (Default) "L" : Disabled	System Memory	PULL_UP
SMAC5#	Enable Quick Start Support	"H" : Disabled (Stop Grant Mode) "L" : Enabled (Default) (Quick Start Mode)	System Memory	PULL_UP
VGA_LFSEL#	Local Memory Freq. Select	"H" : 133MHz (Default) "L" : 100MHz	AGP/LM	i815/i815-m

GMCH2#0

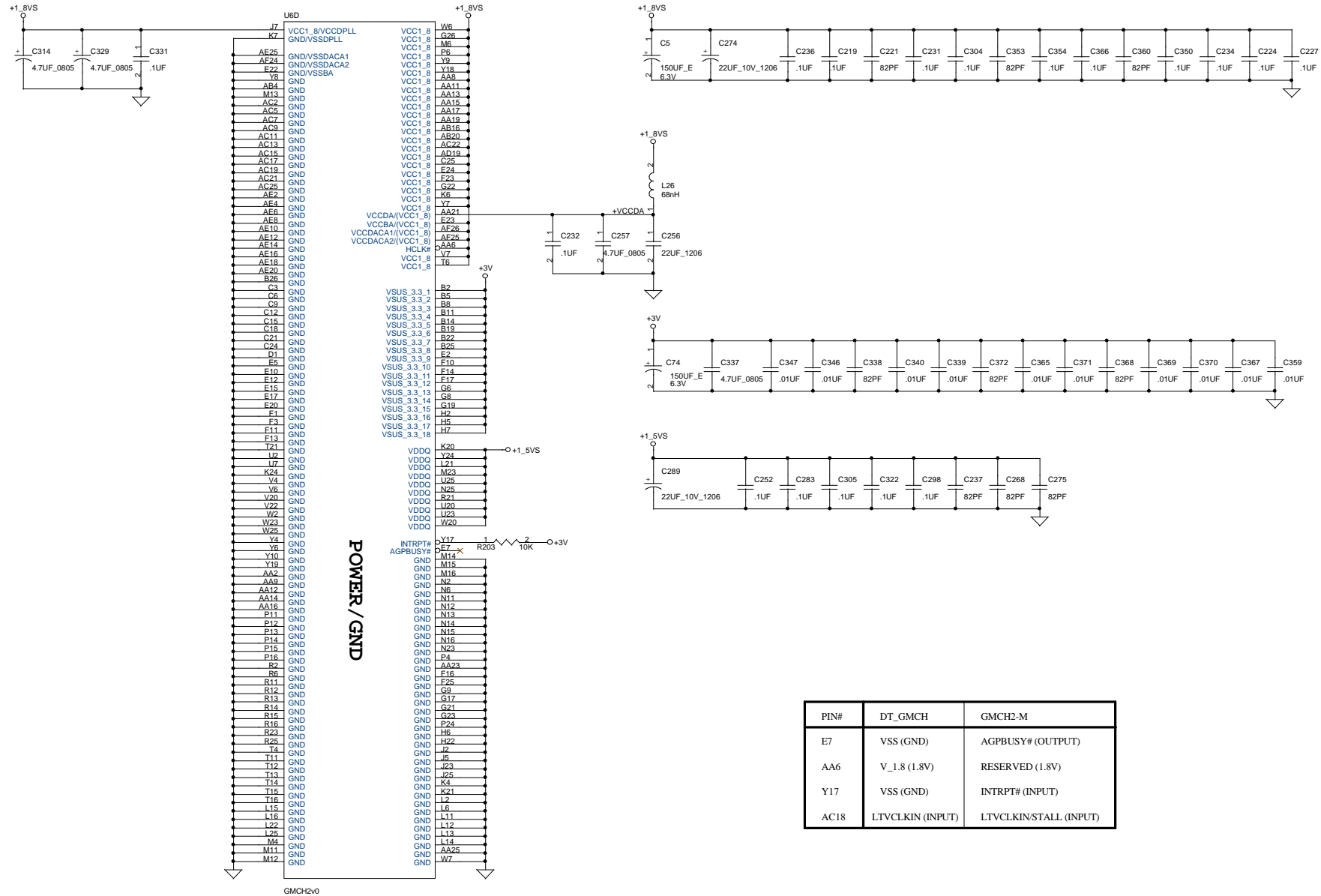


Title		
GMCH2-M-2/3(SDRAM)		
Size B	Document Number	Rev 1.0
Date:	Tuesday, April 24, 2001	Sheet 5 of 38

THIS SHEET OF ENGINEERING DRAWING IS THE PROPRIETARY PROPERTY OF COMPAL ELECTRONICS, INC. AND CONTAINS CONFIDENTIAL AND TRADE SECRET INFORMATION. THIS SHEET MAY NOT BE TRANSFERRED FROM THE COMPETENT DIVISION OF COMPAL ELECTRONICS, INC. WITHOUT THE WRITTEN PERMISSION OF COMPAL ELECTRONICS, INC. NEITHER THIS SHEET NOR THE INFORMATION IT CONTAINS MAY BE USED BY OR DISCLOSED TO ANY THIRD PARTY WITHOUT PRIOR WRITTEN PERMISSION OF COMPAL ELECTRONICS, INC.

GMCH2-M-3/3(Power)

Please make sure the ESR is as small as possible.



PIN#	DT_GMCH	GMCH2-M
E7	VSS (GND)	AGPBUSY# (OUTPUT)
AA6	V_1.8 (1.8V)	RESERVED (1.8V)
Y17	VSS (GND)	INTRPT# (INPUT)
AC18	LTVCLKIN (INPUT)	LTVCLKIN/STALL (INPUT)

THIS SHEET OF ENGINEERING DRAWING IS THE PROPRIETARY PROPERTY OF COMPAL ELECTRONICS, INC. AND CONTAINS CONFIDENTIAL INFORMATION. THIS SHEET MAY NOT BE TRANSFERRED FROM THE COMPETENT DIVISION OF COMPAL ELECTRONICS, INC. WITHOUT THE WRITTEN PERMISSION OF COMPAL ELECTRONICS, INC. INFORMATION IT CONTAINS MAY BE USED BY OR DISCLOSED TO ANY THIRD PARTY WITHOUT PRIOR WRITTEN PERMISSION OF COMPAL ELECTRONICS, INC.

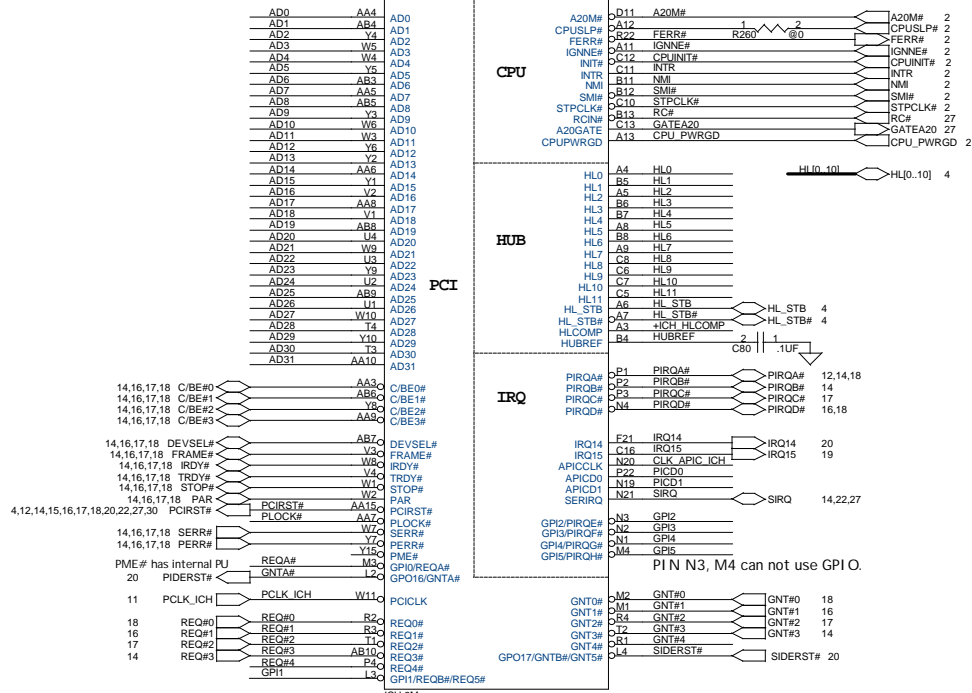
Compal Electronics, Inc.		
Title GMCH2-M-3/3(Power)		
Size B	Document Number 888M1	Rev 1.0
Date: Tuesday, April 24, 2001	Sheet 6	of 38

ICH-2M

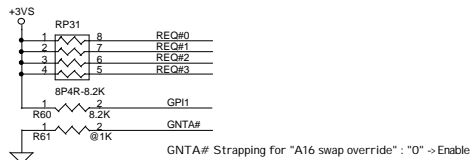
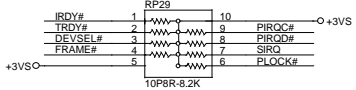
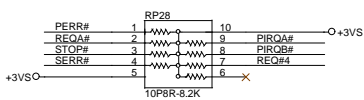
14,16,17,18 AD[0..31] \leftrightarrow AD[0..31]

(FW82801BAM)

U34A

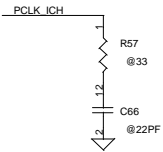


PCI Pullups

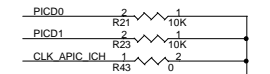
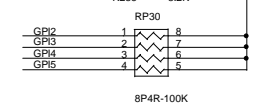
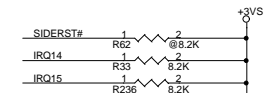
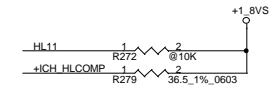


GNTA# Strapping for "A16 swap override": "0" -> Enable

REQ#	Assignment
REQ#0	WLAN
REQ#1	LAN
REQ#2	1394
REQ#3	PCMCIA CONTROLLER
REQ#4	NC



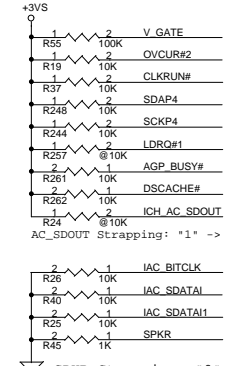
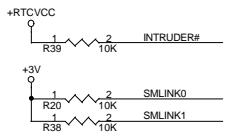
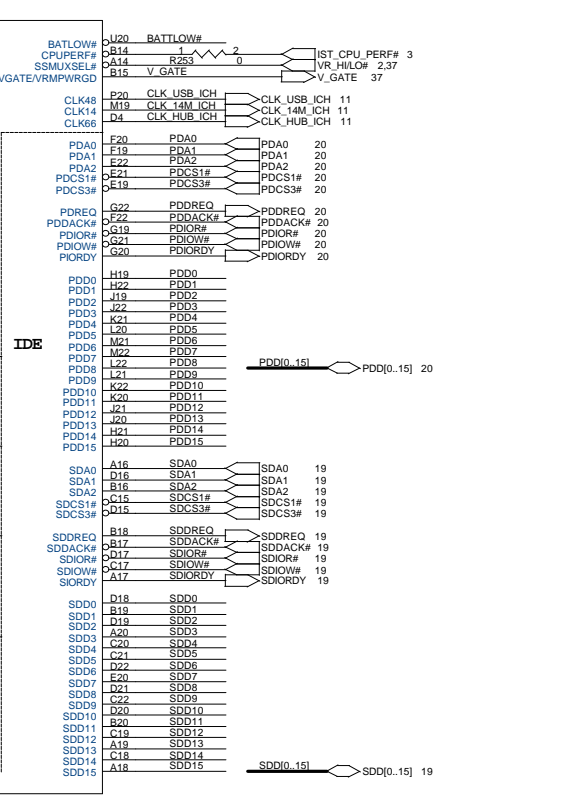
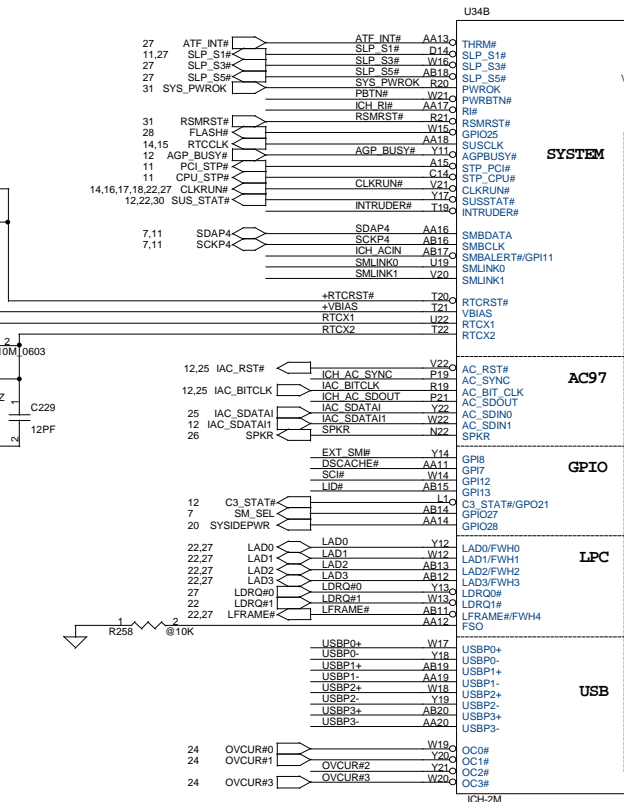
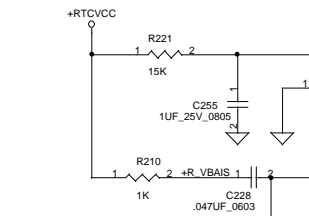
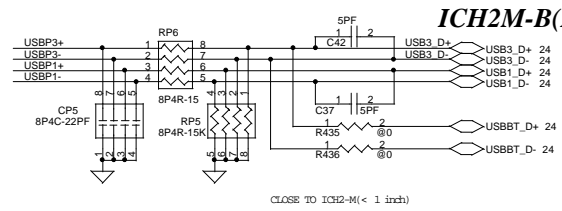
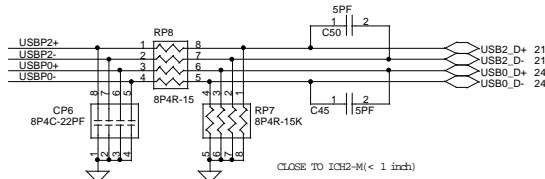
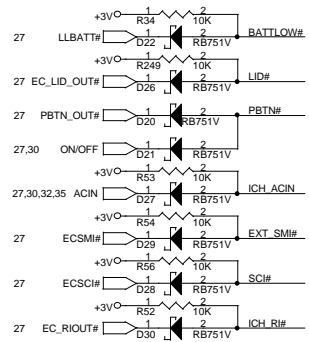
Place divider pair in middle of bus



Compal Electronics, Inc. ICH2M-A(PCLHUB,CPU) & FW			
Title			
Size	Document Number	Rev	
B	888M1	1.0	
Date:	Tuesday, April 24, 2001	Sheet	8 of 38

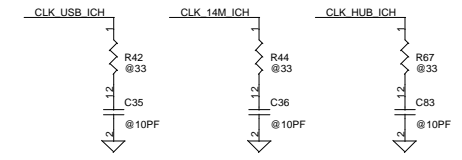
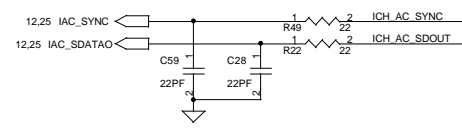
THIS SHEET OF ENGINEERING DRAWING IS THE PROPRIETARY PROPERTY OF COMPAL ELECTRONICS, INC. AND CONTAINS CONFIDENTIAL AND TRADE SECRET INFORMATION. THIS SHEET MAY NOT BE TRANSFERRED FROM THE COMPETENT DIVISION OF COMPAL ELECTRONICS, INC. WITHOUT THE WRITTEN PERMISSION OF COMPAL ELECTRONICS, INC. NEITHER THIS SHEET NOR THE INFORMATION IT CONTAINS MAY BE REPRODUCED OR DISCLOSED TO ANY THIRD PARTY WITHOUT PRIOR WRITTEN PERMISSION OF COMPAL ELECTRONICS, INC.

ICH2M-B(IDE,LPC,GPIO)



AC_SDOUT Strapping: "1" -> Safe Mode B oot

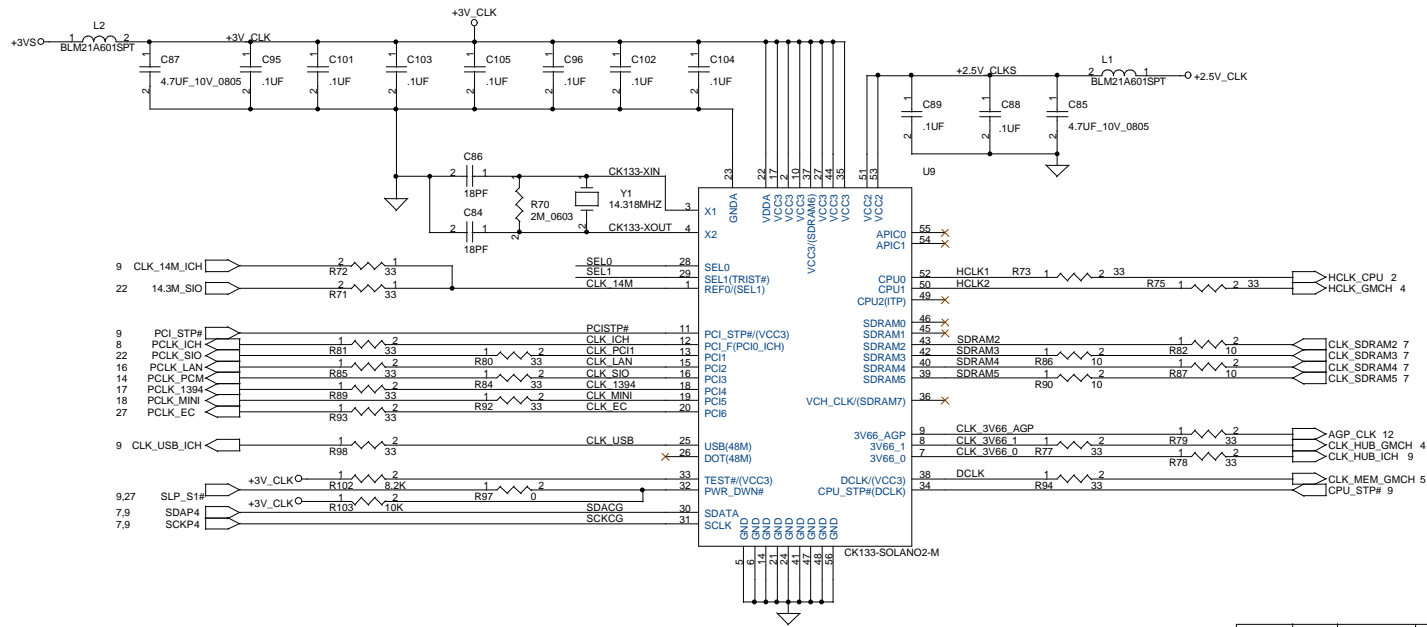
SPKR Strapping: "0" -> No Reboot



Compal Electronics, Inc.		
Title: ICH2M-B(IDE,LPC,GPIO)		
Size B	Document Number: 888M1	Rev: 1.0
Date: Tuesday, April 24, 2001	Sheet: 9	of 38

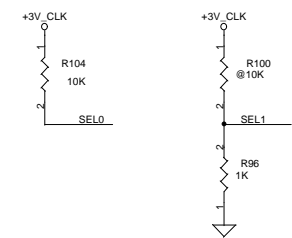
THIS SHEET OF ENGINEERING DRAWING IS THE PROPRIETARY PROPERTY OF COMPAL ELECTRONICS, INC. AND CONTAINS CONFIDENTIAL AND TRADE SECRET INFORMATION. THIS SHEET MAY NOT BE TRANSFERRED FROM THE ISSUING DEPARTMENT DIVISION OF COMPAL ELECTRONICS, INC. WITHOUT THE WRITTEN PERMISSION OF COMPAL ELECTRONICS, INC. INFORMATION IT CONTAINS MAY BE USED BY OR DISCLOSED TO ANY THIRD PARTY WITHOUT PRIOR WRITTEN PERMISSION OF COMPAL ELECTRONICS, INC.

Clock Generator



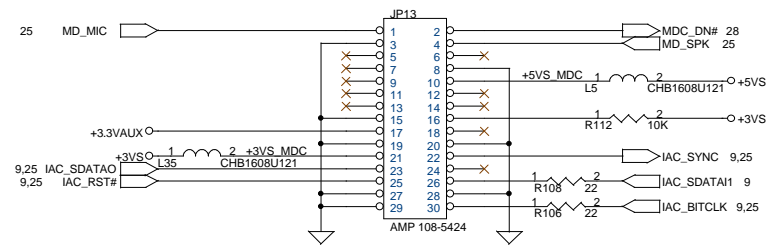
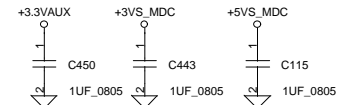
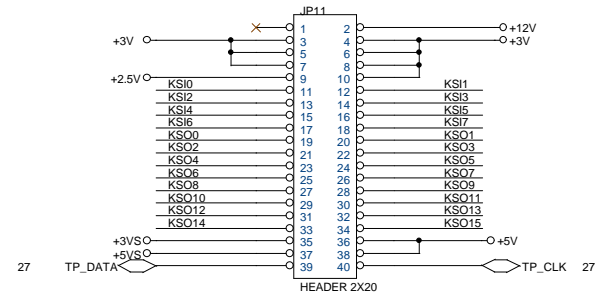
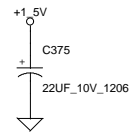
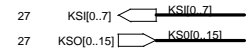
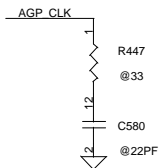
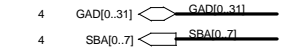
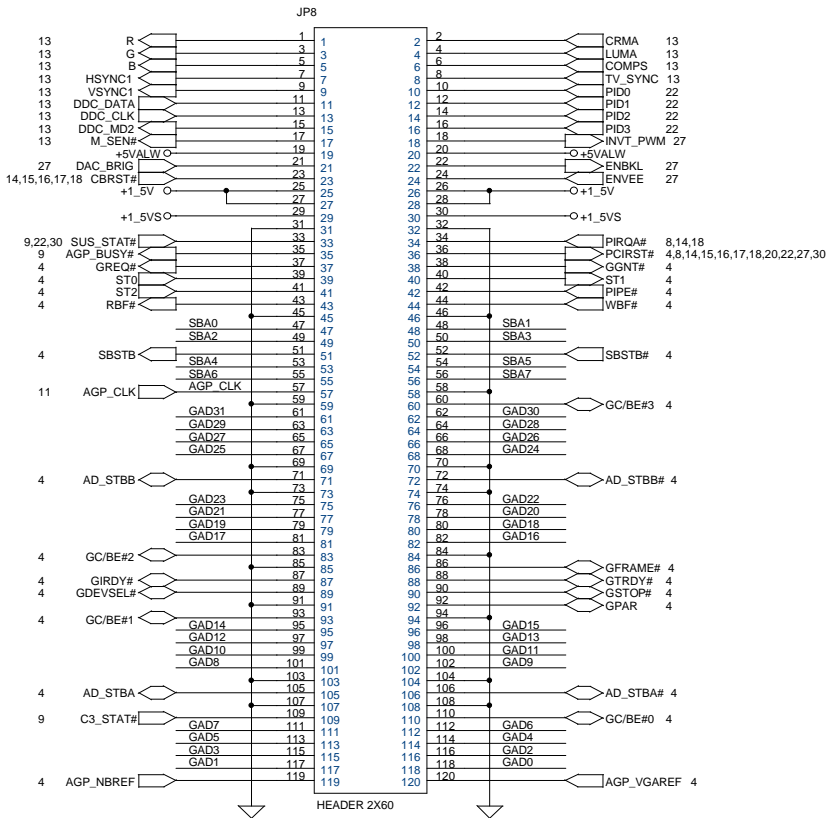
TSSOP-56 SA09250000 ICS 9 250AG-31

SEL1	SEL0	PSB	SDRAM
0	0	66	100
0	1	100	100
1	0	133	133
1	1	133	100



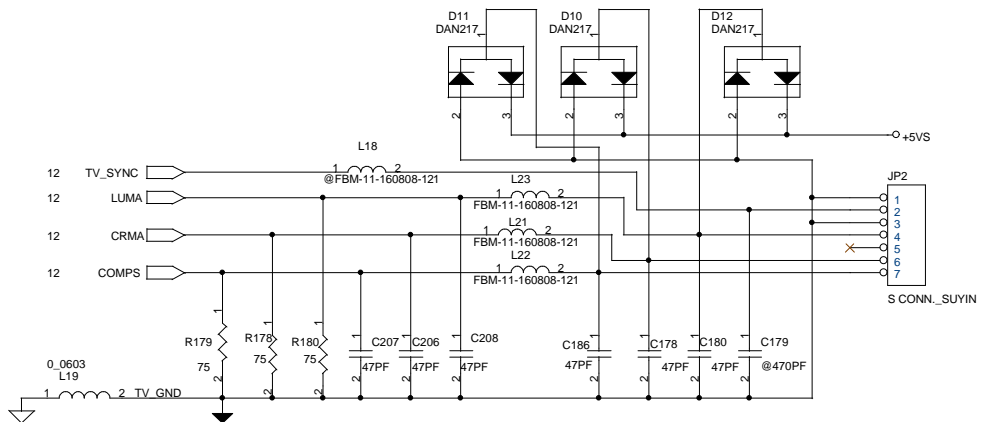
THIS SHEET OF ENGINEERING DRAWING IS THE PROPRIETARY PROPERTY OF COMPAL ELE AND CONTAINS CONFIDENTIAL TRADE SECRET INFORMATION. THIS SHEET MAY NOT BE TRANSFERRED FROM THE E COMPETENT DIVISION OF DEPARTMENT EXCEPT AS AUTHORIZED BY COMPAL ELECTRONICS, INC. NEITHER THIS SI NFORMATION IT CONTAINS M USED BY OR DISCLOSED TO ANY THIRD PARTY WITHOUT PRIOR WRITTEN COMPAL ELECTRONICS, I

Title		
Compal Electronics, Inc.		
Clock Generator		
Size B	Document Number 888M1	Rev 1.0
Date: Tuesday, April 24, 2001	Sheet 11	of 38

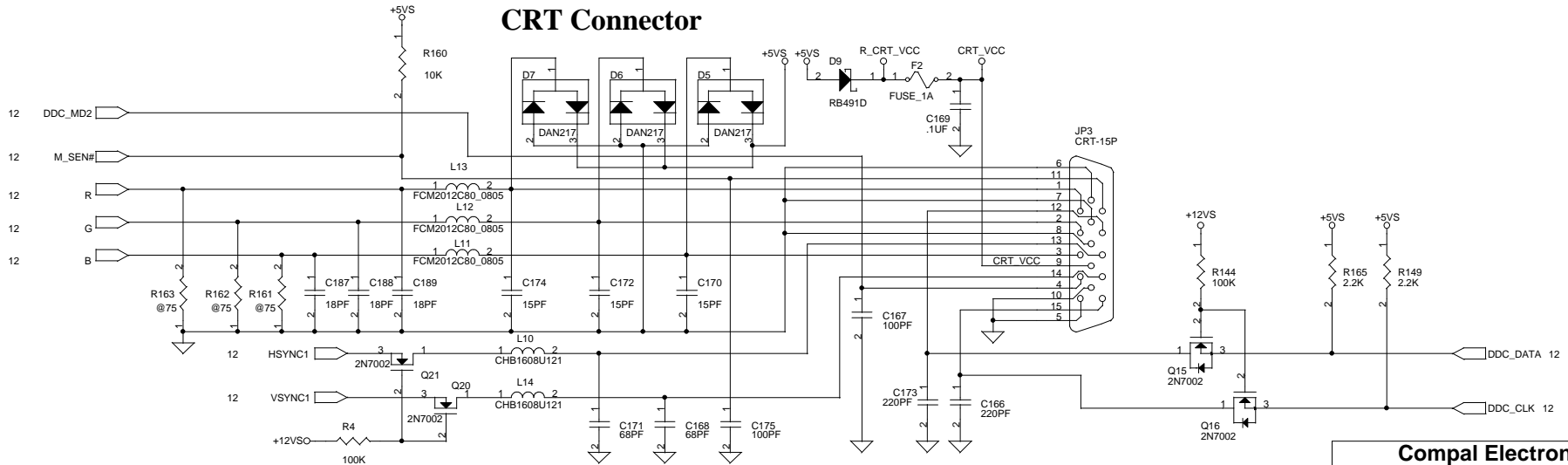


Compal Electronics, Inc.			
Title: VGA Connector & MDC Connector			
Size: B	Document Number: 888M1	Rev: 1.0	
Date: Tuesday, April 24, 2001	Sheet: 12	of: 38	

THIS SHEET OF ENGINEERING DRAWING IS THE PROPRIETARY PROPERTY OF COMPAL ELECTRONICS, INC. AND IS UNCLASSIFIED AND NOT A TRADE SECRET INFORMATION. THIS SHEET MAY NOT BE TRANSFERRED FROM THE CUSTODY OF THE DESIGN DIVISION OF R&D DEPARTMENT EXCEPT AS AUTHORIZED BY COMPAL ELECTRONICS, INC. NEITHER THIS SHEET NOR THE INFORMATION CONTAINS MAY BE USED BY OR DISCLOSED TO ANY THIRD PARTY WITHOUT PRIOR WRITTEN CONSENT OF COMPAL ELECTRONICS, INC.



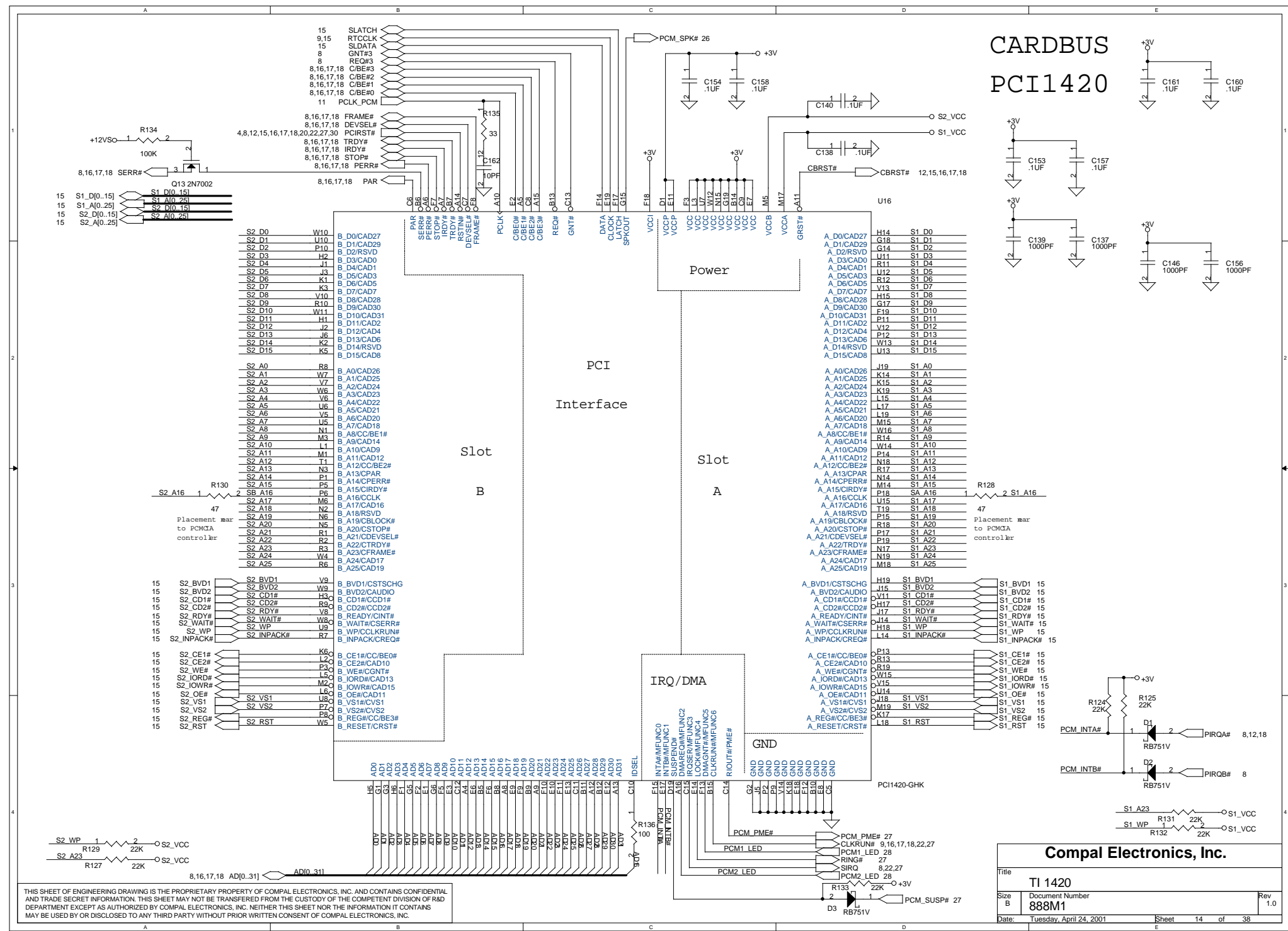
CRT Connector



Compal Electronics, Inc.		
Title	CRT&TV-OUT Connector	
Size	Document Number	Rev
B	888M1	1.0
Date:	Tuesday, April 24, 2001	Sheet 13 of 38

THIS SHEET OF ENGINEERING DRAWING IS THE PROPRIETARY PROPERTY OF COMPAL ELECTRONICS, INC. AND IS UNCLASSIFIED AND NOT A TRADE SECRET INFORMATION. THIS SHEET MAY NOT BE TRANSFERRED FROM THE CUSTODY OF THE DESIGN DIVISION OF R&D DEPARTMENTS EXCEPT AS AUTHORIZED BY COMPAL ELECTRONICS, INC. NEITHER THIS SHEET NOR THE INFORMATION CONTAINED THEREIN MAY BE USED BY OR DISCLOSED TO ANY THIRD PARTY WITHOUT PRIOR WRITTEN CONSENT OF COMPAL ELECTRONICS, INC.

CARDBUS PCI1420



Compal Electronics, Inc.

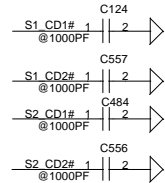
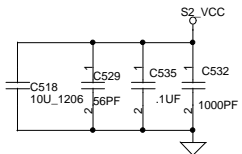
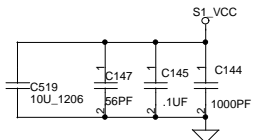
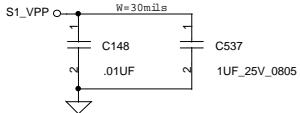
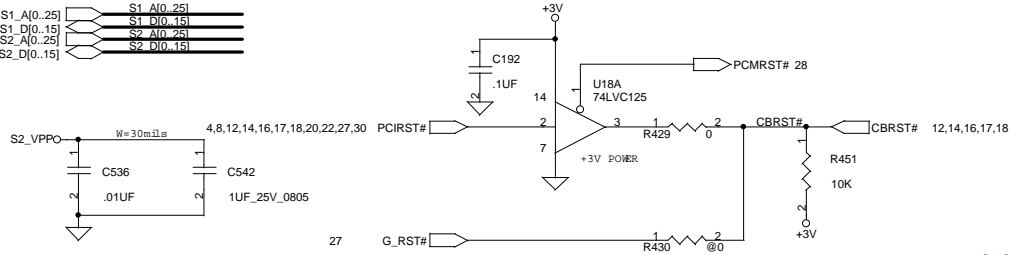
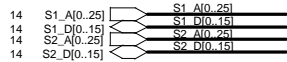
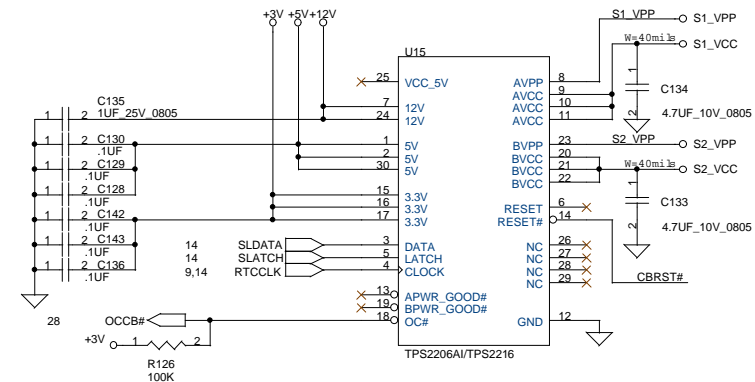
Title: **TI 1420**

Size: **B** Document Number: **888M1** Rev: **1.0**

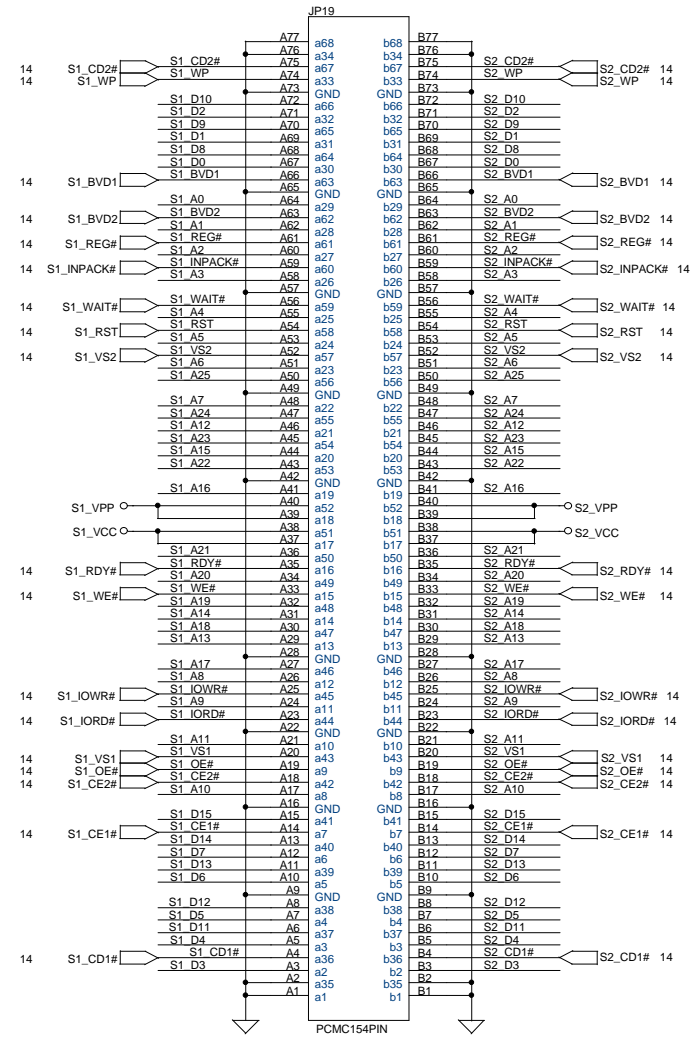
Date: **Tuesday, April 24, 2001** Sheet: **14** of **38**

THIS SHEET OF ENGINEERING DRAWING IS THE PROPRIETARY PROPERTY OF COMPAL ELECTRONICS, INC. AND CONTAINS CONFIDENTIAL AND TRADE SECRET INFORMATION. THIS SHEET MAY NOT BE TRANSFERRED FROM THE CUSTODY OF THE COMPETENT DIVISION OF R&D DEPARTMENT EXCEPT AS AUTHORIZED BY COMPAL ELECTRONICS, INC. NEITHER THIS SHEET NOR THE INFORMATION IT CONTAINS MAY BE USED BY OR DISCLOSED TO ANY THIRD PARTY WITHOUT PRIOR WRITTEN CONSENT OF COMPAL ELECTRONICS, INC.

PCMCIA POWER CTRL.



CARDBUS SOCKET

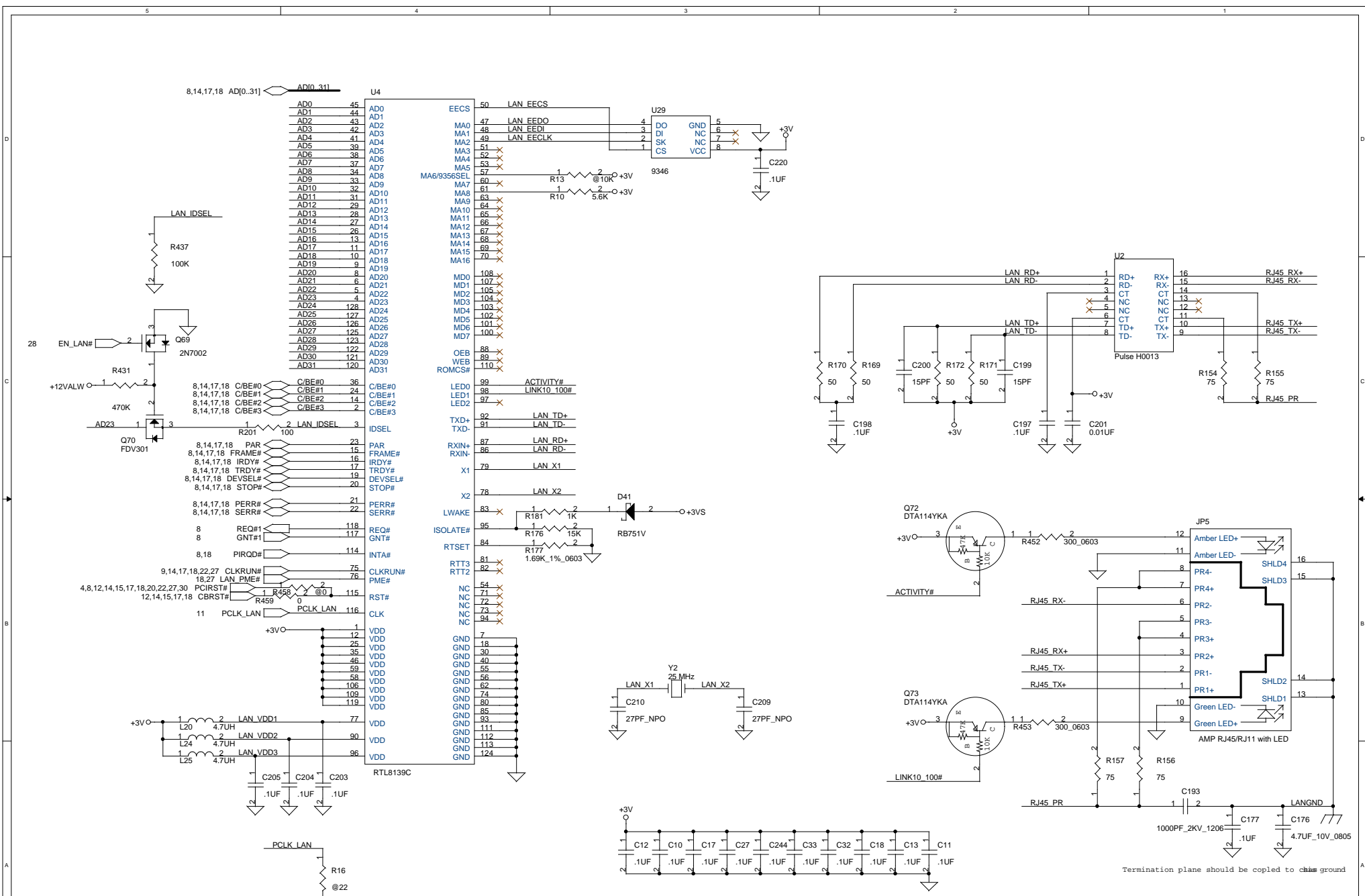


Compal Electronics, Inc

Title FCI PCMCIA SOCKET

Size B Document Number 888M1 Rev 1.0
 Date: Tuesday, April 24, 2001 Sheet 15 of 38

THIS SHEET OF ENGINEERING DRAWING IS THE PROPRIETARY PROPERTY OF COMPAL ELECTRONICS, INC. AND CONTAINS CONFIDENTIAL AND TRADE SECRET INFORMATION. THIS SHEET MAY NOT BE TRANSFERRED FROM THE CUSTODY OF THE COMPETENT DIVISION OF R&D DEPARTMENT EXCEPT AS AUTHORIZED BY COMPAL ELECTRONICS, INC. NEITHER THIS SHEET NOR THE INFORMATION IT CONTAINS MAY BE USED BY OR DISCLOSED TO ANY THIRD PARTY WITHOUT PRIOR WRITTEN CONSENT OF COMPAL ELECTRONICS, INC.



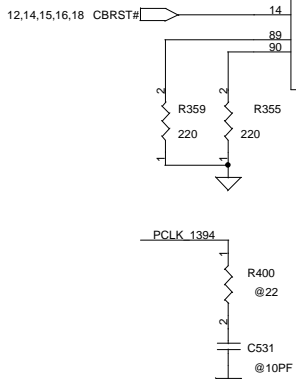
THIS SHEET OF ENGINEERING DRAWING IS THE PROPRIETARY PROPERTY OF COMPAL ELECTRONICS, INC. AND IS UNCLASSIFIED AND NOT BE TRANSMITTED OR DISCLOSED TO ANY OTHER PARTY WITHOUT THE WRITTEN CONSENT OF COMPAL ELECTRONICS, INC. NEITHER THIS SHEET NOR THE INFORMATION CONTAINED HEREIN IS TO BE REPRODUCED OR TRANSMITTED IN ANY FORM OR BY ANY MEANS, ELECTRONIC OR MECHANICAL, INCLUDING PHOTOCOPYING, RECORDING, OR BY ANY INFORMATION STORAGE AND RETRIEVAL SYSTEM.

Compal Electronics, Inc.			
Title: LAN REALTEK RTL8139CL			
Size: B	Document Number: 888M1	Rev: 1.0	
Date: Tuesday, April 24, 2001	Sheet: 16	of: 38	

8,14,16,18 AD[0..31] AD[0..31]

AD26 1 2 1394 IDSEL
R398 100

8,14,16,18 C/BE#3 C/BE#3 34 PCI_C/BE3
8,14,16,18 C/BE#2 C/BE#2 47 PCI_C/BE2
8,14,16,18 C/BE#1 C/BE#1 60 PCI_C/BE1
8,14,16,18 C/BE#0 C/BE#0 73 PCI_C/BE0
11 PCLK_1394 PCLK_1394 16 PCI_CLK
8 GNT#2 GNT#2 18 PCI_GNT
8 REQ#2 REQ#2 19 PCI_REQ
8,14,16,18 FRAME# FRAME# 49 PCI_FRAME
8,14,16,18 IRDY# IRDY# 50 PCI_IRDY
8,14,16,18 TRDY# TRDY# 52 PCI_TRDY
8,14,16,18 DEVSEL# DEVSEL# 53 PCI_DEVSEL
8,14,16,18 STOP# STOP# 54 PCI_STOP
8,14,16,18 PERR# PERR# 56 PCI_PERR
8 PIRQC# PIRQC# 13 PCI_PERR
8,14,16,18 PME# 1394 PME# 21 PCI_PME/CSTSCHG
27 1394 PME# SERR# 57 PCI_SERR
8,14,16,18 PAR PAR 58 PCI_PAR
9,14,16,18,22,27 CLKRUN# PCI_CLKRUN 12 PCI_CLKRUN
4,8,12,14,15,16,18,20,22,27,30 PCIRST# PCIRST# 85 PCI_RST



U49
TSB43AB22

TSB43AB22

PCI BUS INTERFACE

PHY PORT 2

BIAS CURRENT

OSCILLATOR

FILTER

EEPROM 2 WIRE BUS

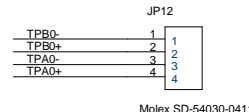
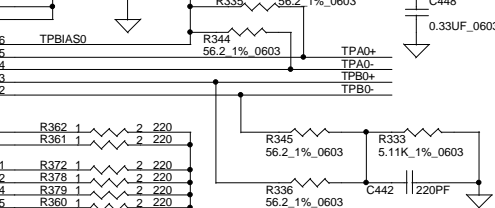
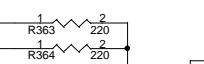
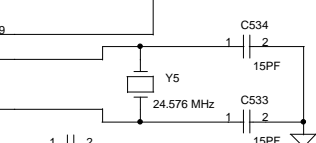
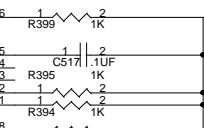
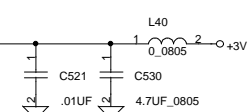
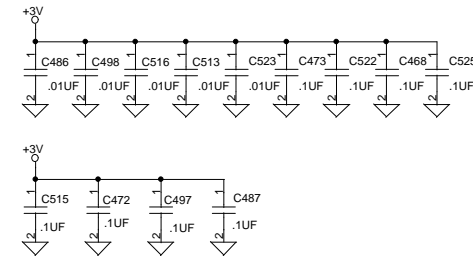
POWER CLASS

PHY PORT 1

TEST9
TEST8
TEST3
TEST2
TEST1
TEST0

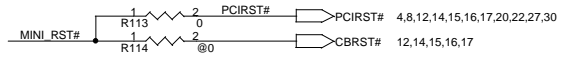
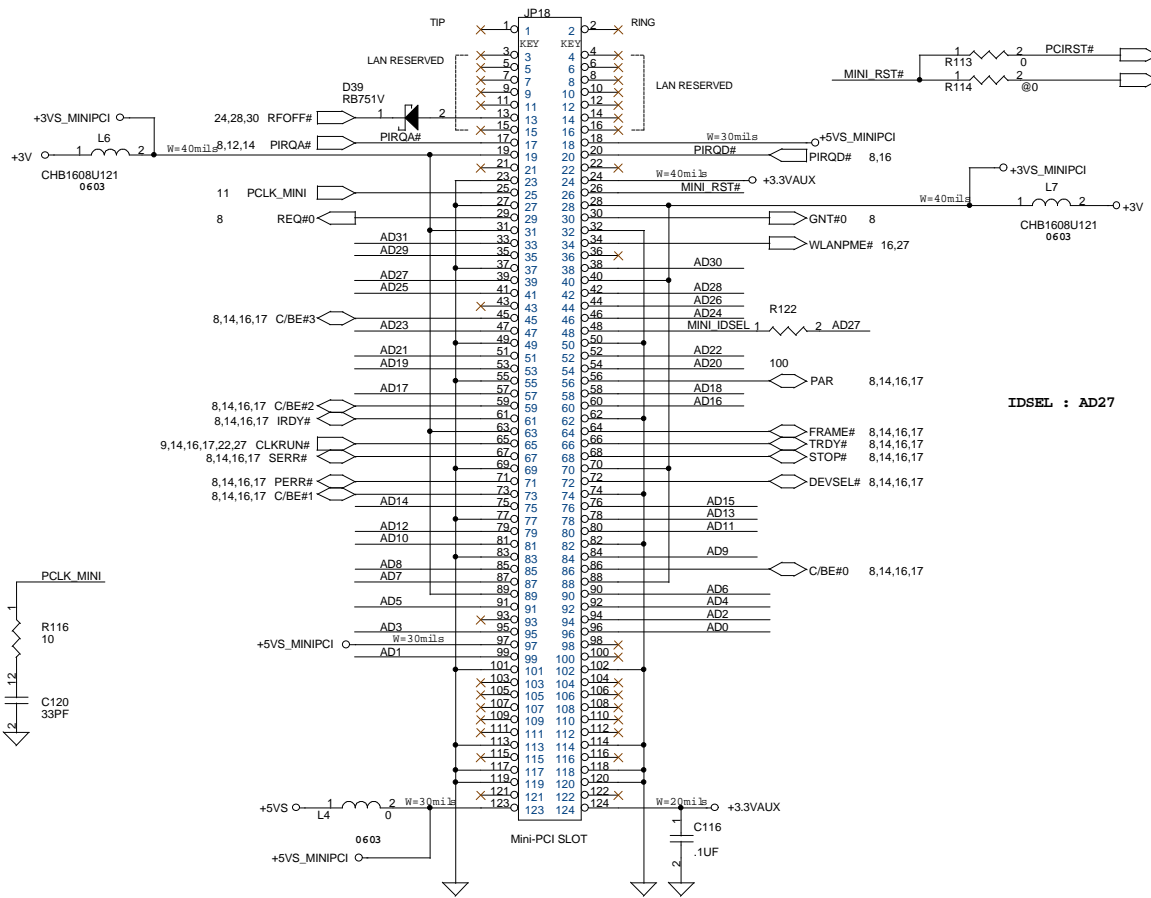
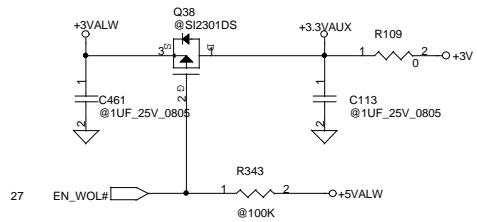
For TSB43AA22
C654, C655
change to 0
ohm to short
to GND

THIS SHEET OF ENGINEERING DRAWING IS THE PROPRIETARY PROPERTY OF COMPAL ELECTRONICS, INC. AND IS UNCLASSIFIED AND NOT BE TRANSFERRED FROM THE CUSTODY OF THE R&D DEPARTMENT EXCEPT AS AUTHORIZED BY COMPAL ELECTRONICS, INC. NEITHER THIS SHEET NOR THE INFORMATION CONTAINED HEREIN SHALL BE DISCLOSED TO ANY THIRD PARTY WITHOUT PRIOR WRITTEN CONSENT OF COMPAL ELECTRONICS, INC.

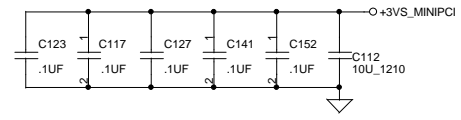
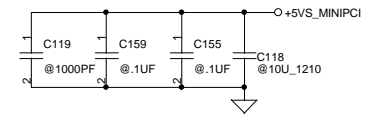


Compal Electronics, Inc.

Title		1394 Interface	
Size	B	Document Number	888M1
Date:	Tuesday, April 24, 2001	Sheet	17 of 38
Rev	1.0		



IDSEL : AD27

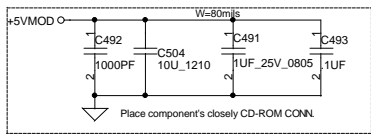
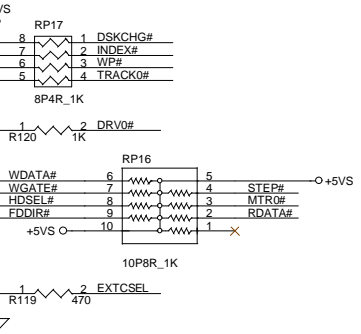
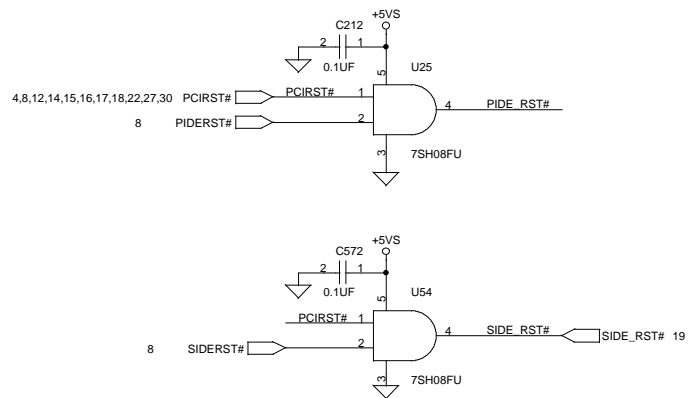
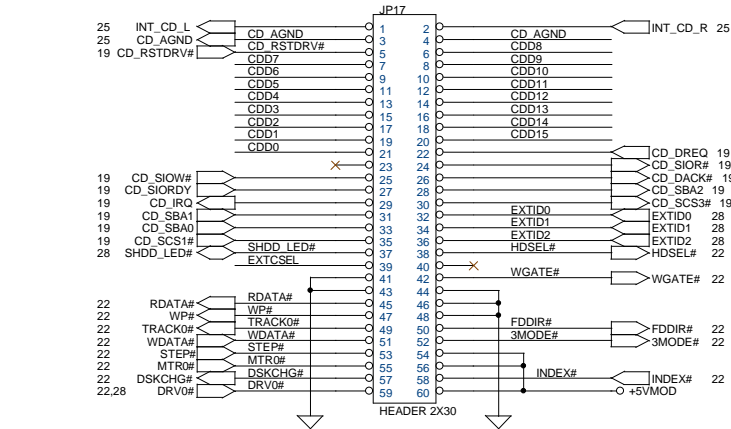
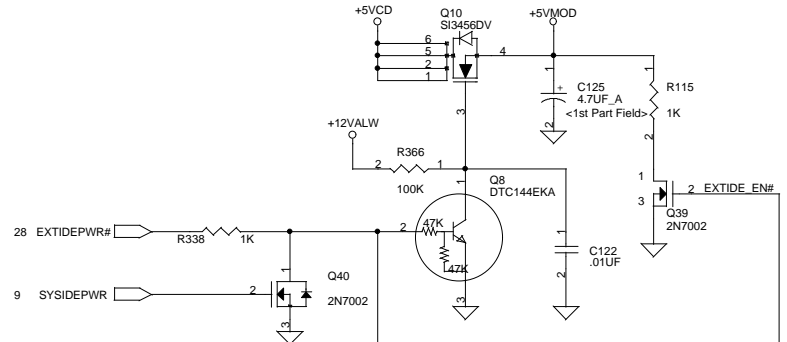
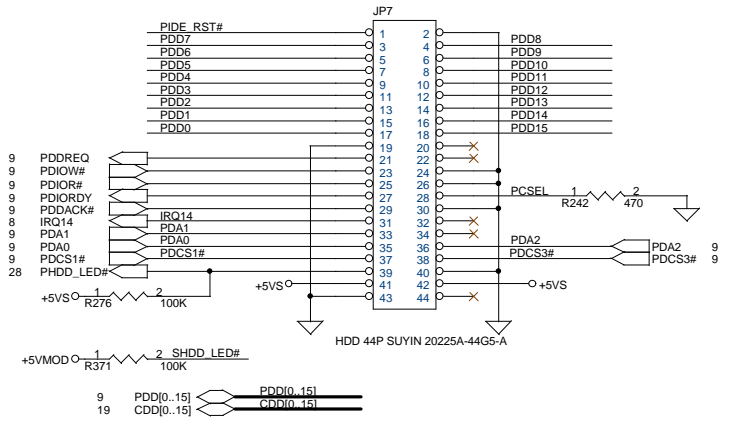
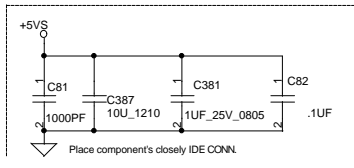


AD[0..31] AD[0..31] 8,14,16,17

THIS SHEET OF ENGINEERING DRAWING IS THE PROPRIETARY PROPERTY OF COMPAL ELECTRONICS, INC. AND CONTAINS CONFIDENTIAL AND TRADE SECRET INFORMATION. THIS SHEET MAY NOT BE TRANSFERRED FROM THE CUSTODY OF THE COMPETENT DIVISION OF R&D DEPARTMENT EXCEPT AS AUTHORIZED BY COMPAL ELECTRONICS, INC. NEITHER THIS SHEET NOR THE INFORMATION IT CONTAINS MAY BE USED BY OR DISCLOSED TO ANY THIRD PARTY WITHOUT PRIOR WRITTEN CONSENT OF COMPAL ELECTRONICS, INC.

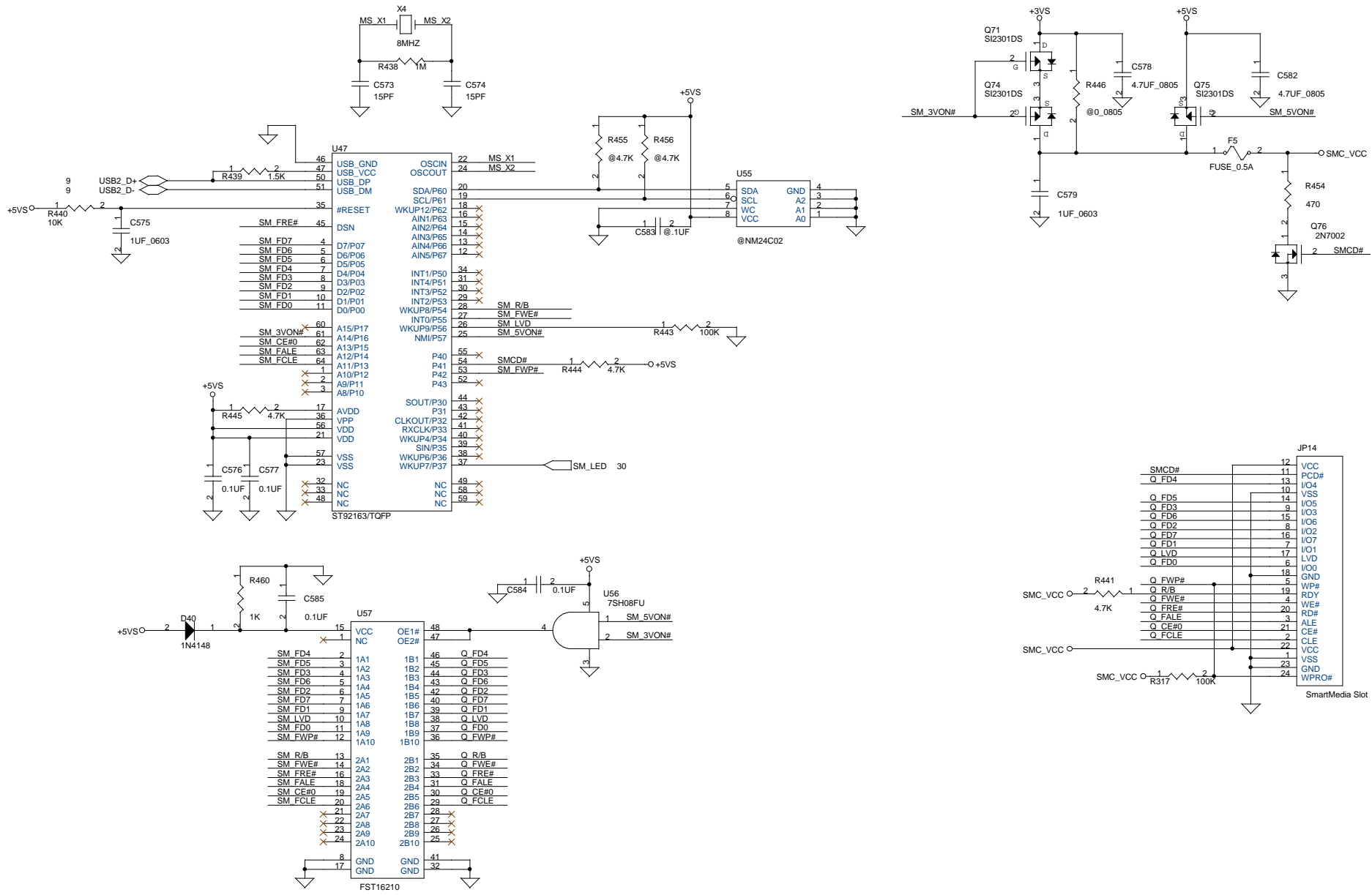
Compal Electronics, Inc		
Title MINI_PCI		
Size B	Document Number 888M1	Rev 1.0
Date: Tuesday, April 24, 2001	Sheet 18	of 38

IDE,CD-ROM Module CONN.



THIS SHEET OF ENGINEERING DRAWING IS THE PROPRIETARY PROPERTY OF COMPAL ELECTRONICS, INC. AND CONTAINS CONFIDENTIAL AND TRADE SECRET INFORMATION. THIS SHEET MAY NOT BE TRANSFERRED FROM THE CUSTODY OF THE COMPETENT DIVISION OF R&D DEPARTMENT EXCEPT AS AUTHORIZED BY COMPAL ELECTRONICS, INC. NEITHER THIS SHEET NOR THE INFORMATION IT CONTAINS MAY BE USED BY OR DISCLOSED TO ANY THIRD PARTY WITHOUT PRIOR WRITTEN CONSENT OF COMPAL ELECTRONICS, INC.

Compal Electronics, Inc		
Title	IDE/ FDD MODULE CONN.	
Size B	Document Number 888M1	Rev 1.0
Date:	Tuesday, April 24, 2001	Sheet 20 of 38



Compal Electronics, Inc.

Title: SmartMedia Interface

Size: B

Document Number: 888M1

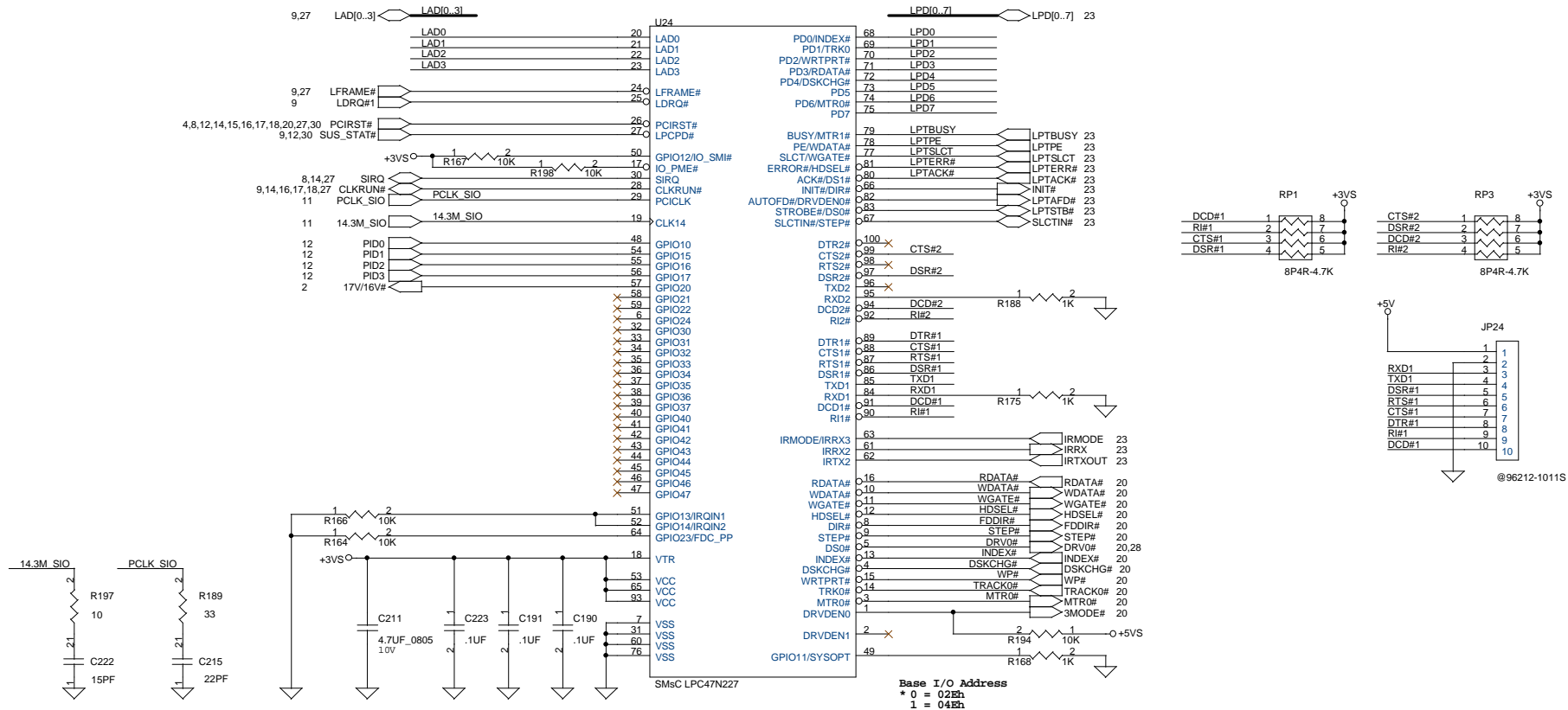
Date: Wednesday, April 25, 2001

Sheet: 21 of 38

Rev: 1.0

THIS SHEET OF ENGINEERING DRAWING IS THE PROPRIETARY PROPERTY OF COMPAL ELECTRONICS, INC. AND IS UNCLASSIFIED AND NOT FOR DISSEMINATION. IT IS THE PROPERTY OF COMPAL ELECTRONICS, INC. AND IS NOT TO BE REPRODUCED OR TRANSMITTED IN ANY FORM OR BY ANY MEANS, ELECTRONIC OR MECHANICAL, INCLUDING PHOTOCOPYING, RECORDING, OR BY ANY INFORMATION STORAGE AND RETRIEVAL SYSTEM, WITHOUT THE WRITTEN PERMISSION OF COMPAL ELECTRONICS, INC.

SUPER I/O SMsC FDC47N227

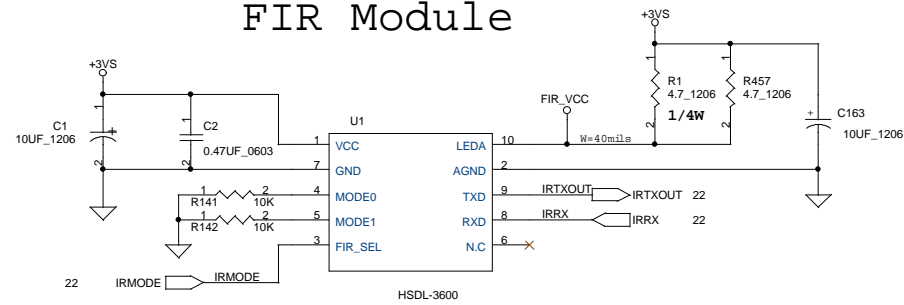


Compal Electronics, Inc.

Title		SUPER I/O	
Size	Document Number		Rev
B	888M1		1.0
Date:	Tuesday, April 24, 2001	Sheet	22 of 38

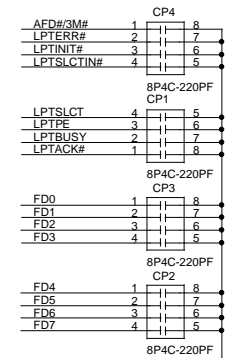
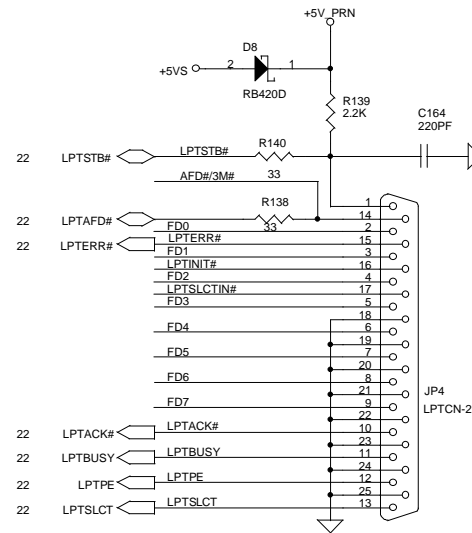
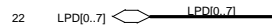
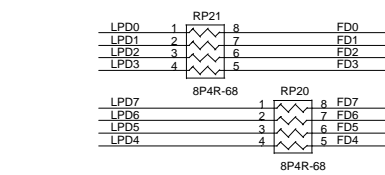
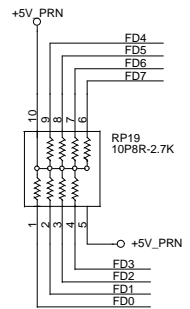
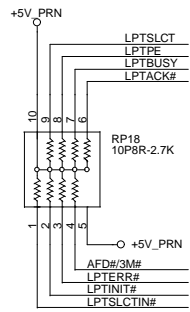
THIS SHEET OF ENGINEERING DRAWING IS THE PROPRIETARY PROPERTY OF COMPAL ELECTRONICS, INC. AND IS UNCLASSIFIED AND NOT A TRADE SECRET. PROPRIETARY INFORMATION. THIS SHEET MAY NOT BE TRANSFERRED FROM THE CUSTODY OF THE DESIGN DIVISION OF R&D DEPARTMENTS EXCEPT AS AUTHORIZED BY COMPAL ELECTRONICS, INC. NEITHER THIS SHEET NOR THE INFORMATION CONTAINED THEREIN MAY BE USED BY OR DISCLOSED TO ANY THIRD PARTY WITHOUT PRIOR WRITTEN CONSENT OF COMPAL ELECTRONICS, INC.

FIR Module



The component's most place
cloely IRDA MODULE.

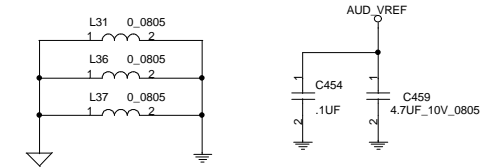
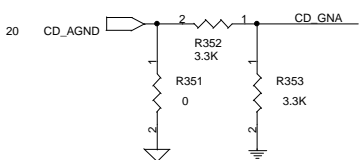
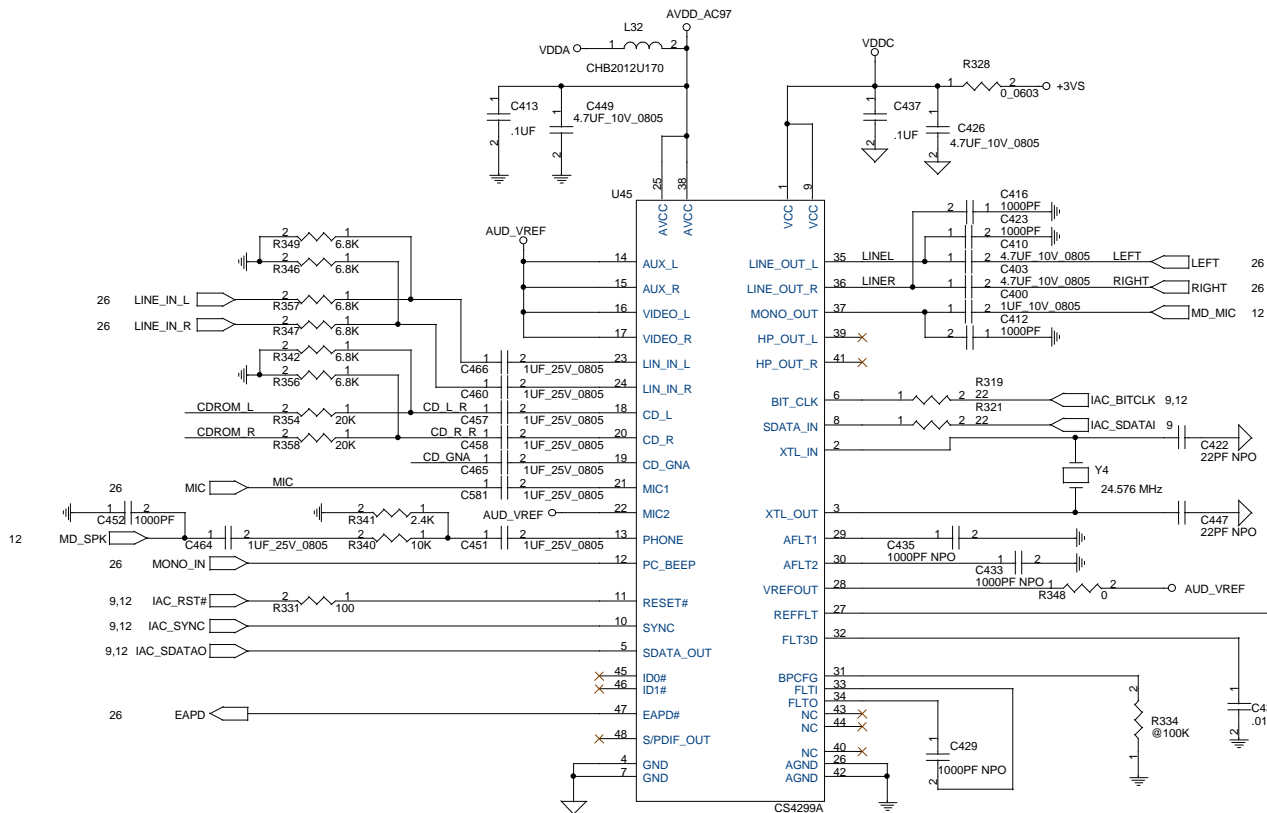
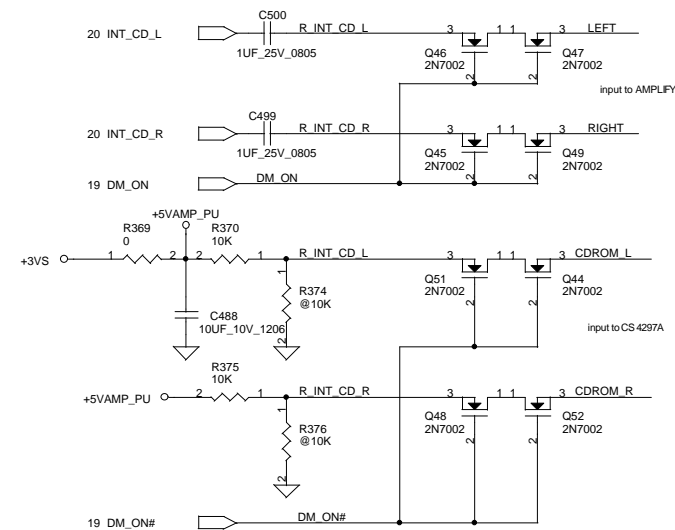
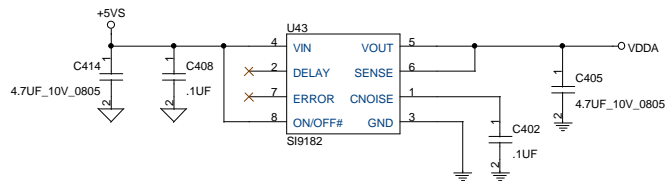
PARALLEL PORT



Compal Electronics, Inc.

Title		
PARALLEL PORT		
Size	Document Number	Rev
888M1		1.0
Date:	Tuesday, April 24, 2001	Sheet 23 of 38

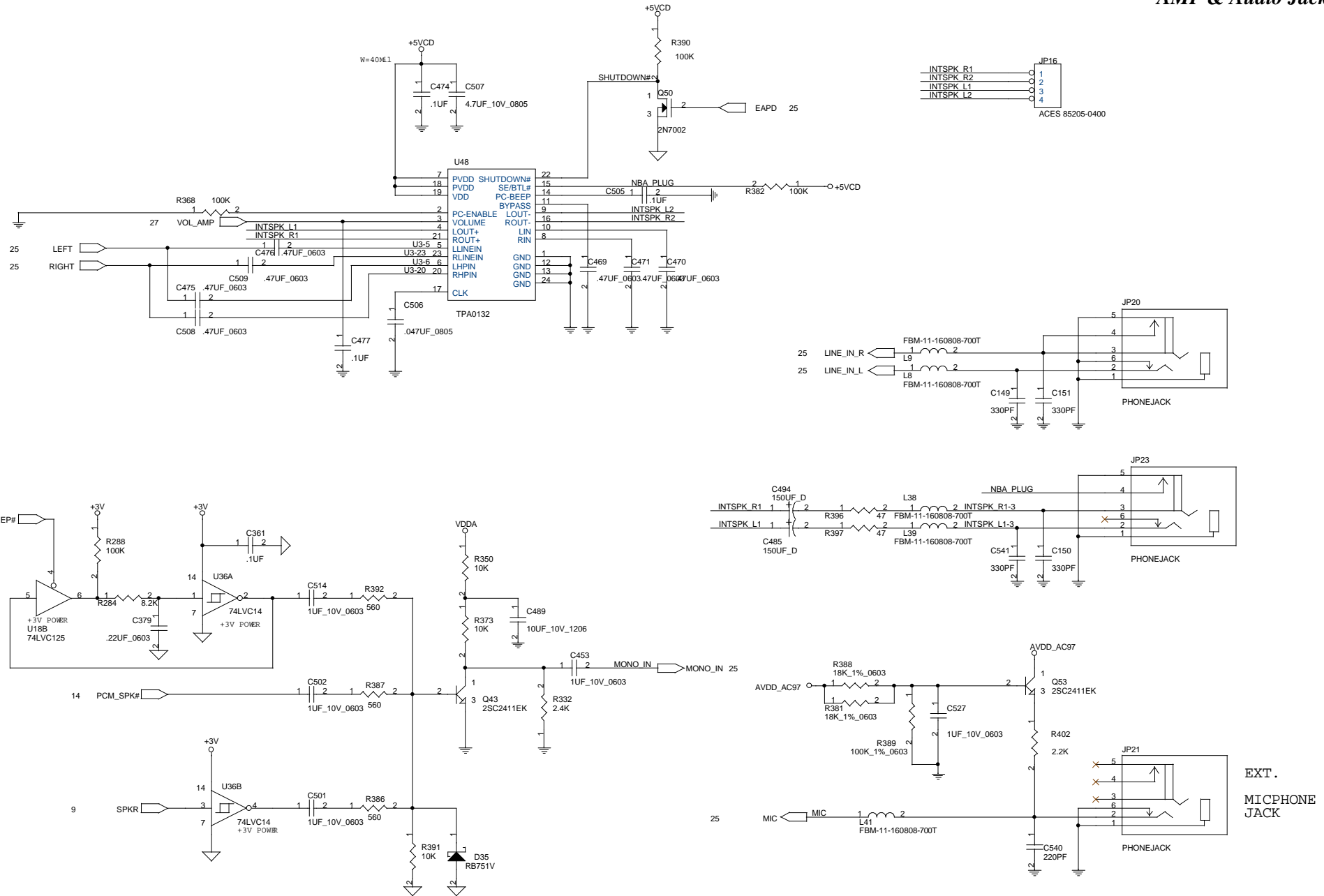
THIS SHEET OF ENGINEERING DRAWING IS THE PROPRIETARY PROPERTY OF COMPAL ELECTRONICS, INC. AND CONTAINS CONFIDENTIAL AND TRADE SECRET INFORMATION. THIS SHEET MAY NOT BE TRANSFERRED FROM THE CUSTODY OF THE COMPETENT DIVISION OF R&D DEPARTMENT EXCEPT AS AUTHORIZED BY COMPAL ELECTRONICS, INC. NEITHER THIS SHEET NOR THE INFORMATION IT CONTAINS MAY BE USED BY OR DISCLOSED TO ANY THIRD PARTY WITHOUT PRIOR WRITTEN CONSENT OF COMPAL ELECTRONICS, INC.



PROPRIETARY AND CONFIDENTIAL THIS SHEET OF ENGINEERING DRAWING IS THE PROPRIETARY PROPERTY OF COMPAL ELECTRONICS, INC. NEITHER THIS SHEET NOR THE CONTENTS THEREOF SHALL BE REPRODUCED, COPIED, OR DISCLOSED TO ANY THIRD PARTY WITHOUT PRIOR WRITTEN CONSENT OF COMPAL ELECTRONICS, INC.

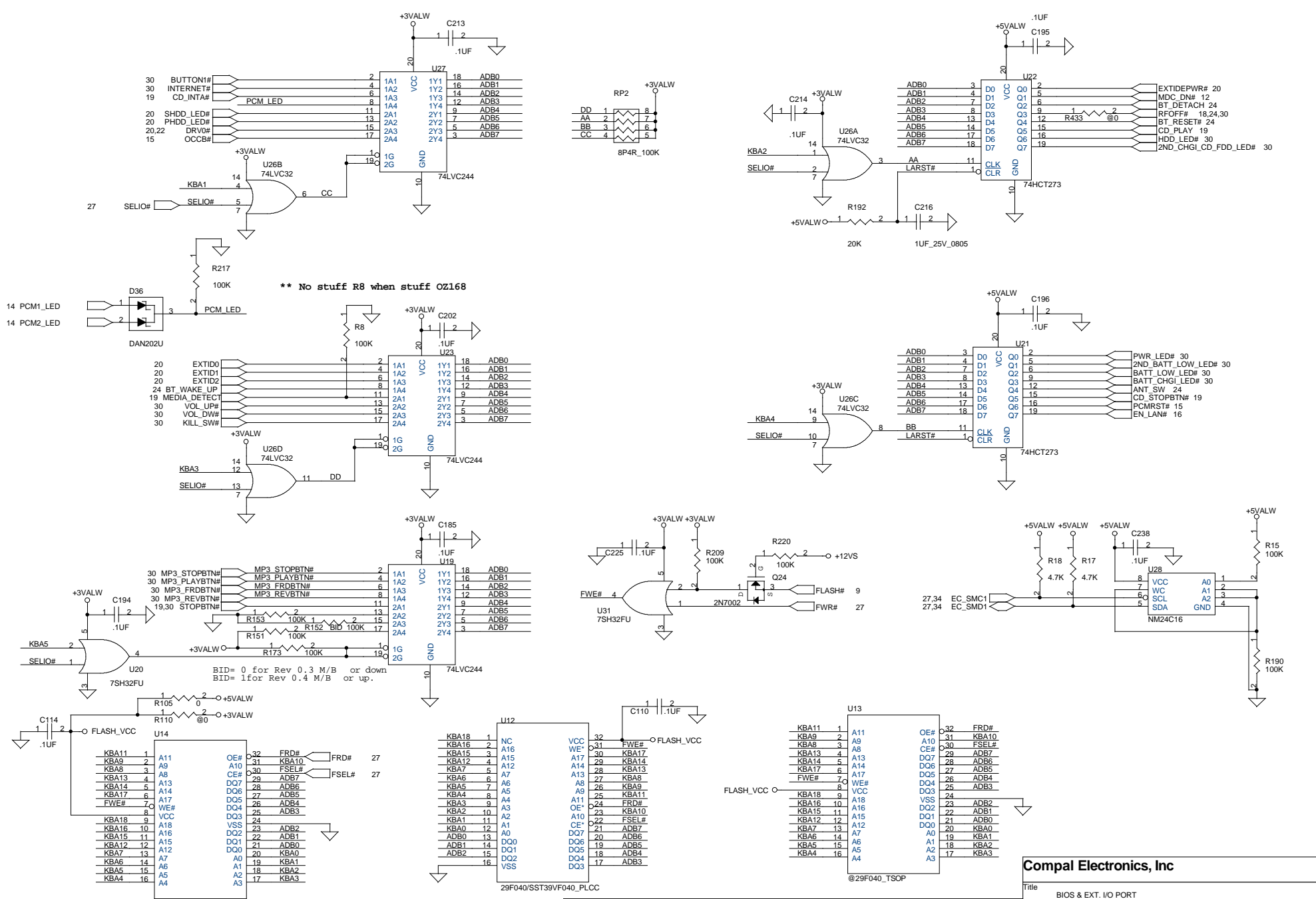
Compal Electronics, Inc.			
Title AC97 CODEC			
Size B	Document Number 888M11	Rev 1.0	
Date Tuesday, April 24, 2001	Sheet 25	of 38	

AMP & Audio Jack



THIS SHEET OF ENGINEERING DRAWING IS THE PROPRIETARY PROPERTY OF COMPAL ELECTRONICS, INC. AND IS UNCLASSIFIED AND NOT A TRADE SECRET. IT IS THE PROPERTY OF THE R&D DEPARTMENT OF COMPAL ELECTRONICS, INC. NEITHER THIS SHEET NOR THE INFORMATION CONTAINED HEREIN IS TO BE DISCLOSED TO ANY THIRD PARTY WITHOUT PRIOR WRITTEN CONSENT OF COMPAL ELECTRONICS, INC.

Compal Electronics, Inc.		
AMP & Audio Jack		
Size B	Document Number 888M1	Rev 1.0
Date: Tuesday, April 24, 2001	Sheet 26	of 38



Compal Electronics, Inc		
Title	BIOS & EXT. I/O PORT	
Size	Document Number	Rev
B	888M1	1.0
Date:	Wednesday, April 25, 2001	Sheet 28 of 38

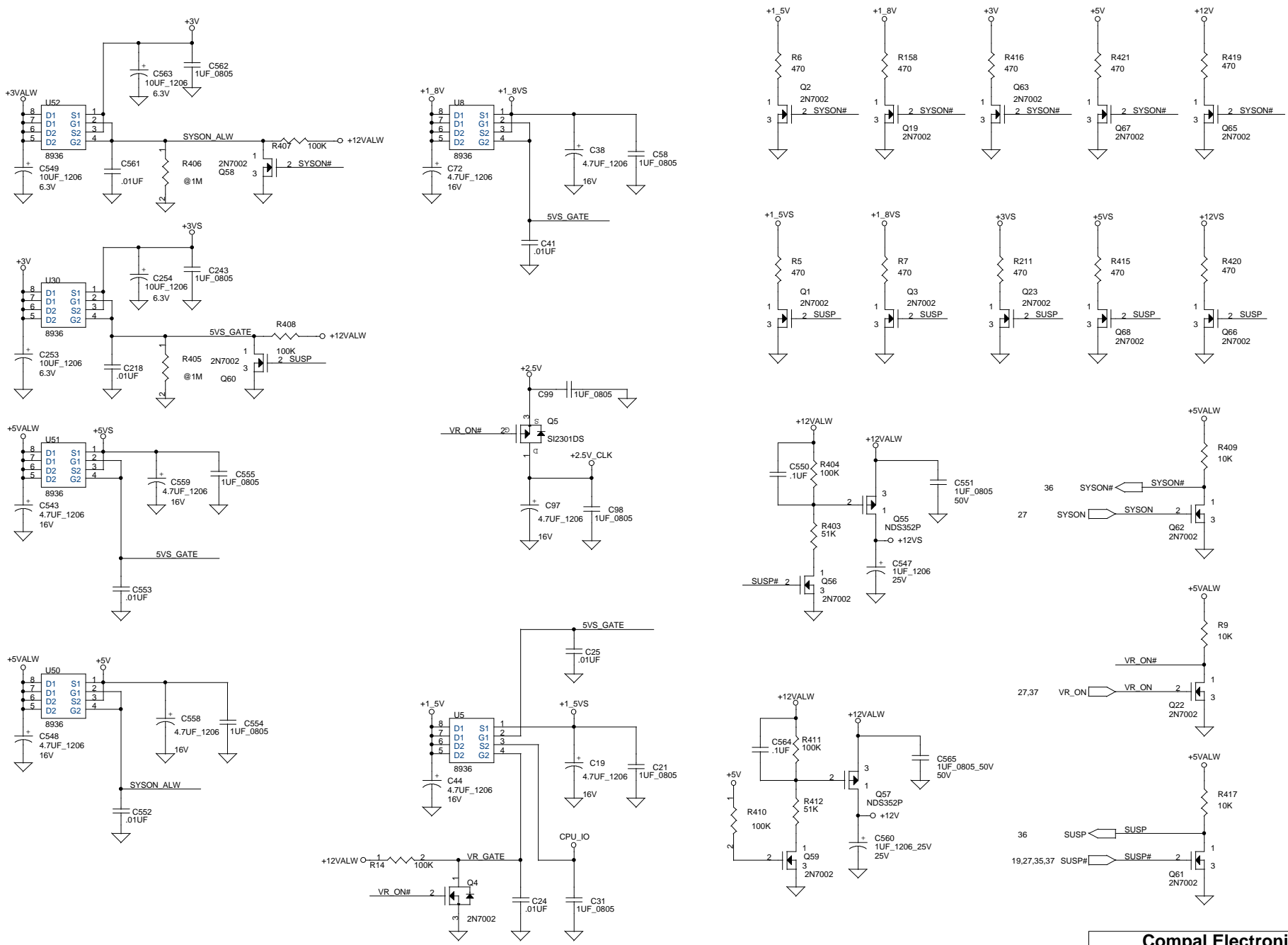
THIS SHEET OF ENGINEERING DRAWING IS THE PROPRIETARY PROPERTY OF COMPAL ELECTRONICS, INC. AND CONTAINS CONFIDENTIAL AND TRADE SECRET INFORMATION. THIS SHEET MAY NOT BE TRANSFERRED FROM THE CUSTODY OF THE COMPETENT DIVISION OF R&D DEPARTMENT EXCEPT AS AUTHORIZED BY COMPAL ELECTRONICS, INC. NEITHER THIS SHEET NOR THE INFORMATION IT CONTAINS MAY BE USED BY OR DISCLOSED TO ANY THIRD PARTY WITHOUT PRIOR WRITTEN CONSENT OF COMPAL ELECTRONICS, INC.

27 KBA[0..18] KBA[0..18]
27 ADB[0..7] ADB[0..7]

@SST39V040_TSOP

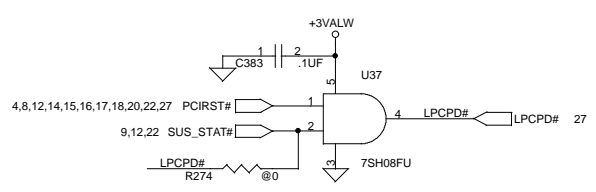
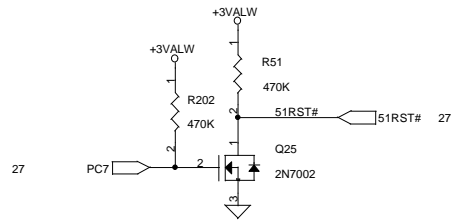
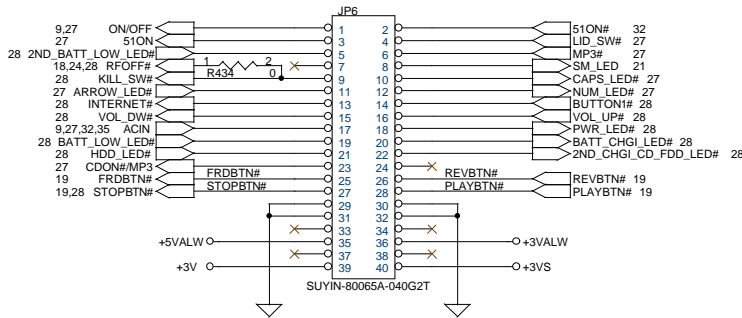
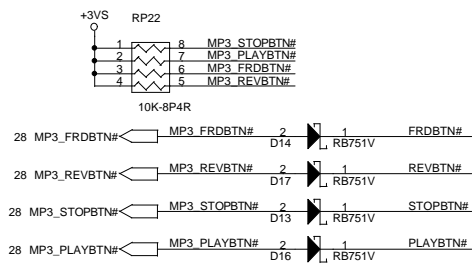
29F040/SST39V040_PLCC

@29F040_TSOP

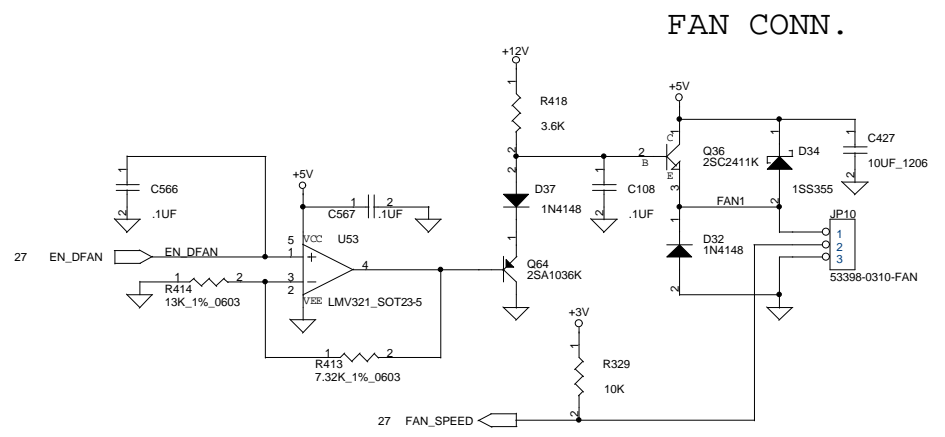


Compal Electronics, Inc.		
Title	POWER CONTROL CKT	
Size	Document Number	Rev
B	888M1	1.0
Date:	Tuesday, April 24, 2001	Sheet 29 of 38

THIS SHEET OF ENGINEERING DRAWING IS THE PROPRIETARY PROPERTY OF COMPAL ELECTRONICS, INC. AND IS UNCLASSIFIED AND NOT A TRADE SECRET. IT IS THE PROPERTY OF THE DIVISION OF R&D DEPARTMENTS EXCEPT AS AUTHORIZED BY COMPAL ELECTRONICS, INC. NEITHER THIS SHEET NOR THE INFORMATION CONTAINED HEREIN IS TO BE USED BY OR DISCLOSED TO ANY THIRD PARTY WITHOUT PRIOR WRITTEN CONSENT OF COMPAL ELECTRONICS, INC.



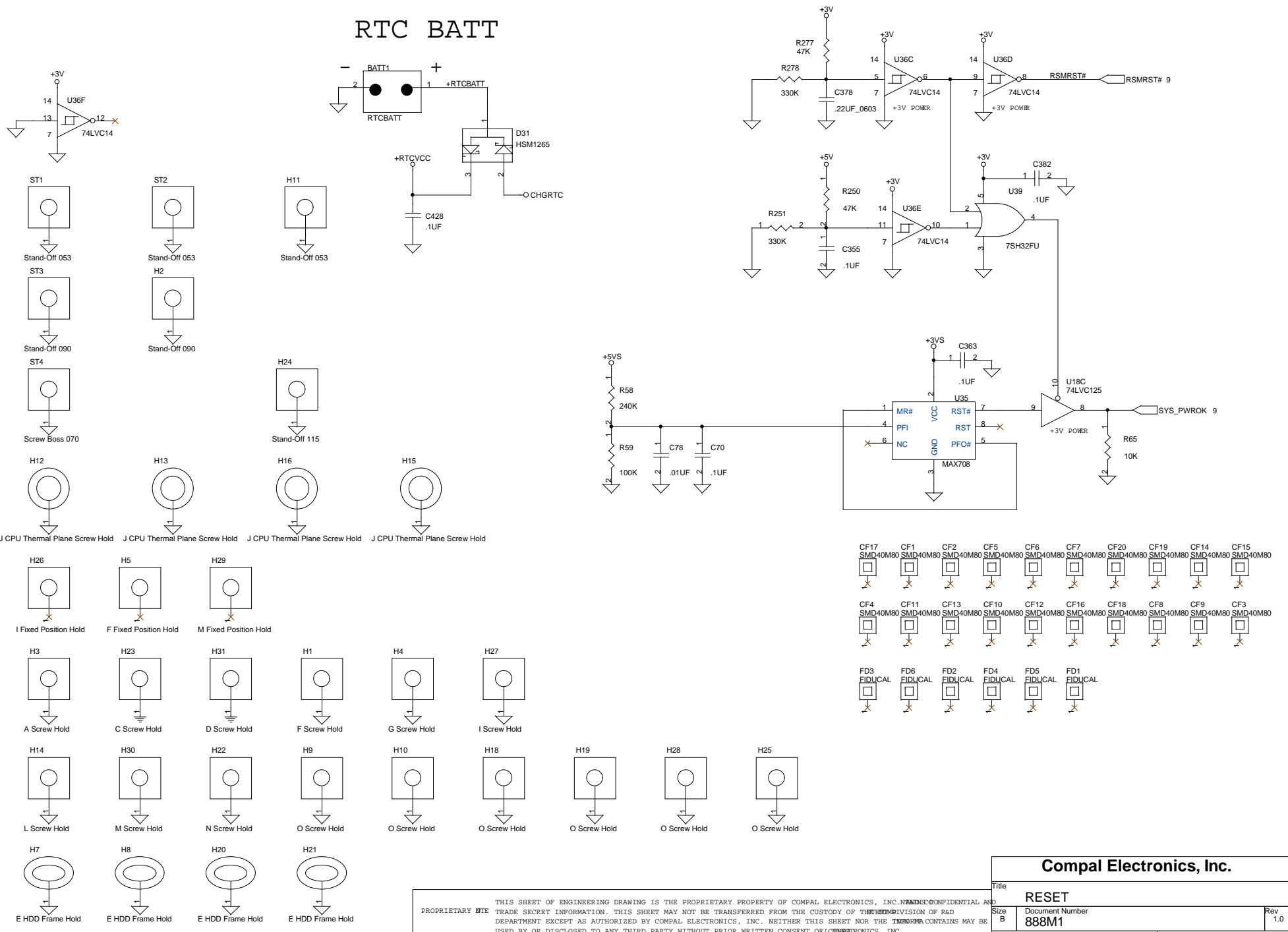
For PC87591 REV 0.A Only



THIS SHEET OF ENGINEERING DRAWING IS THE PROPRIETARY PROPERTY OF COMPAL ELECTRONICS, INC. AND CONTAINS CONFIDENTIAL AND TRADE SECRET INFORMATION. THIS SHEET MAY NOT BE TRANSFERRED FROM THE CUSTODY OF THE COMPETENT DIVISION OF R&D DEPARTMENT EXCEPT AS AUTHORIZED BY COMPAL ELECTRONICS, INC. NEITHER THIS SHEET NOR THE INFORMATION IT CONTAINS MAY BE USED BY OR DISCLOSED TO ANY THIRD PARTY WITHOUT PRIOR WRITTEN CONSENT OF COMPAL ELECTRONICS, INC.

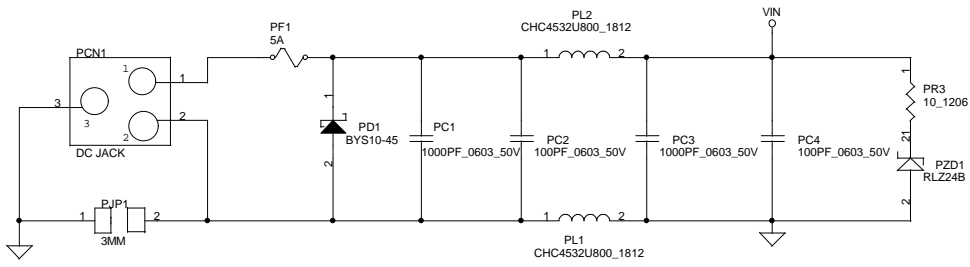
Compal Electronics, Inc.			
Title: Switches & Connectors			
Size B	Document Number 888M1	Rev 1.0	
Date: Tuesday, April 24, 2001	Sheet 30	of 38	

RTC BATT

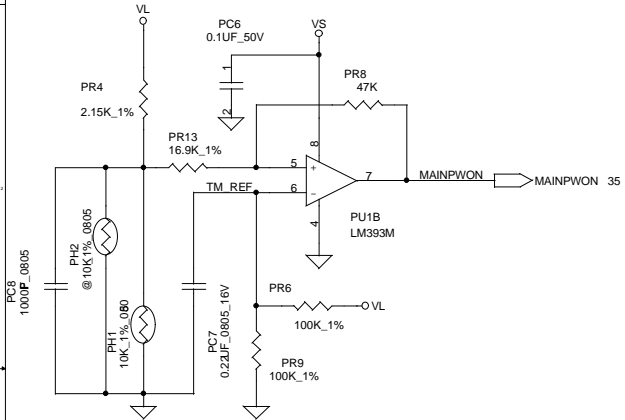


Compal Electronics, Inc.			
Title	RESET		
Size	Document Number	Rev	
B	888M1	1.0	
Date:	Tuesday, April 24, 2001	Sheet	31 of 38

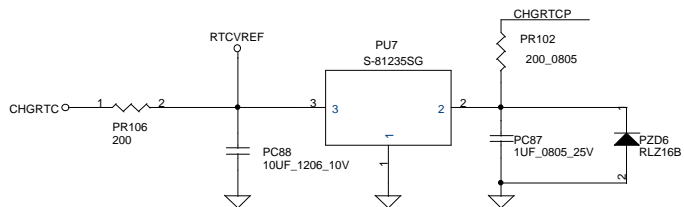
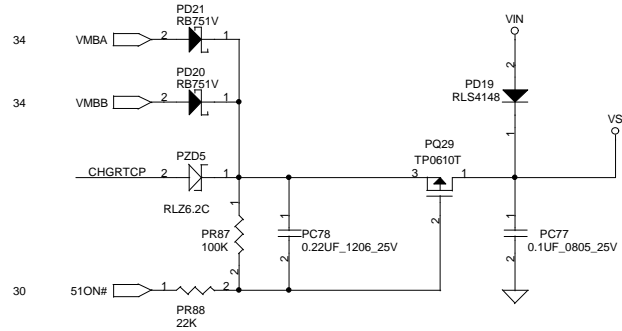
THIS SHEET OF ENGINEERING DRAWING IS THE PROPRIETARY PROPERTY OF COMPAL ELECTRONICS, INC. AND IS UNCLASSIFIED AND NOT A TRADE SECRET INFORMATION. THIS SHEET MAY NOT BE TRANSFERRED FROM THE CUSTODY OF THE DESIGN DIVISION OF R&D DEPARTMENTS EXCEPT AS AUTHORIZED BY COMPAL ELECTRONICS, INC. NEITHER THIS SHEET NOR THE INFORMATION CONTAINED THEREIN MAY BE USED BY OR DISCLOSED TO ANY THIRD PARTY WITHOUT PRIOR WRITTEN CONSENT OF COMPAL ELECTRONICS, INC.



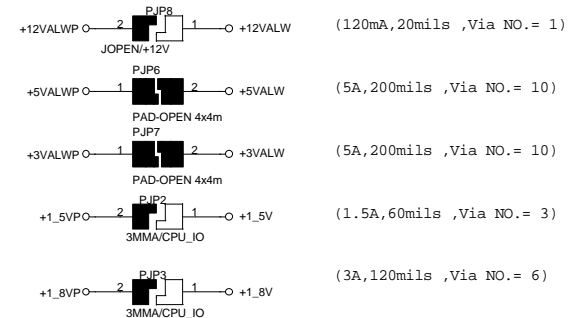
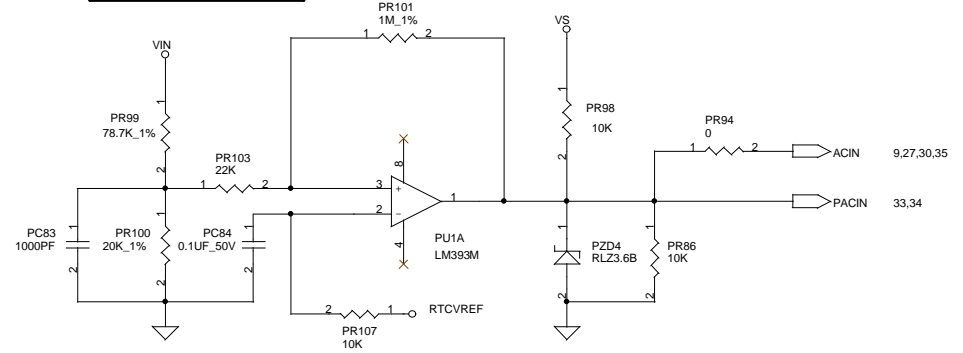
CPU thermal protection at 99 degree C
Recovery at 51 degree C



PH1 under CPU side
PH2 close to RAM door

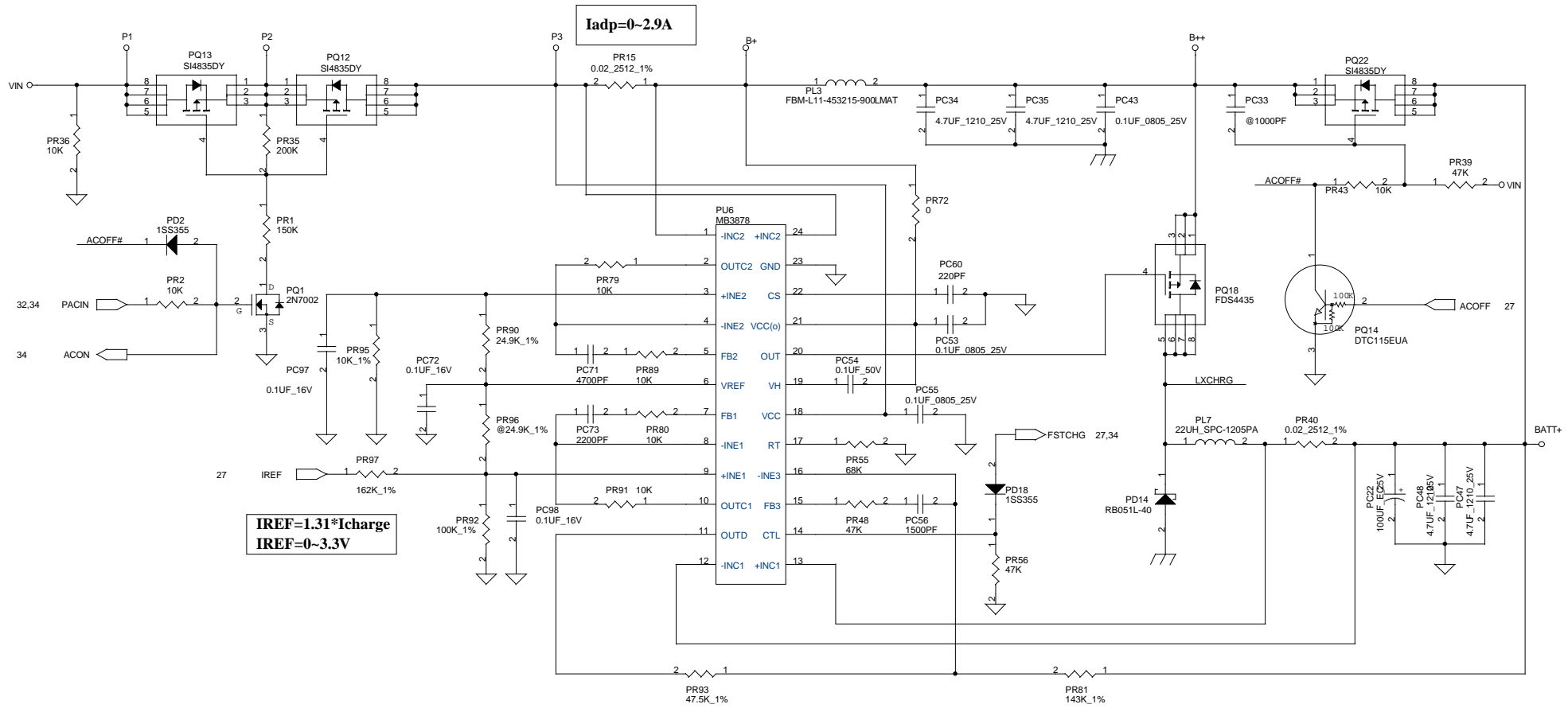


Vin Detector
High 18.7 17.9 17.1
Low 18.0 17.3 16.5



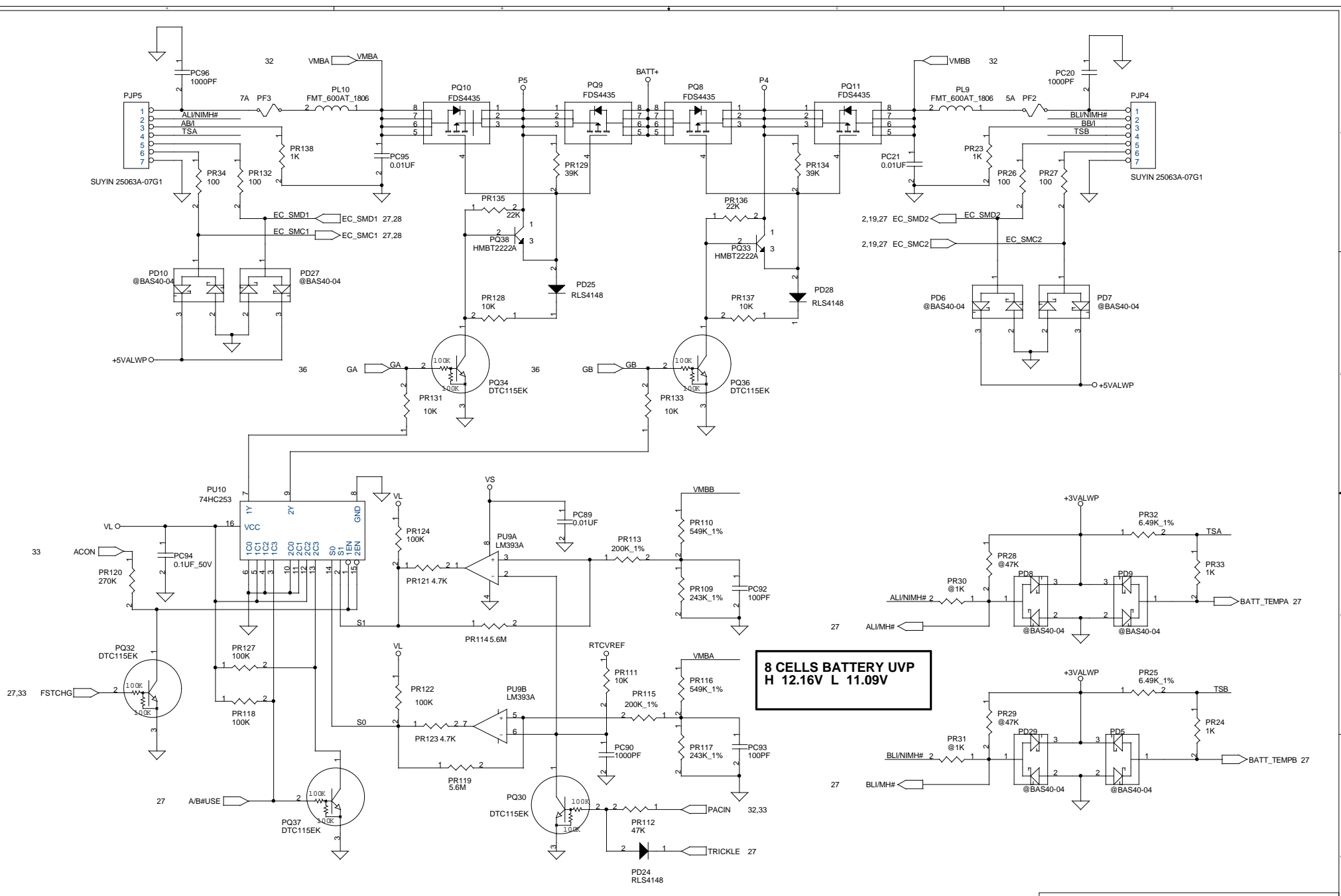
THIS SHEET OF ENGINEERING DRAWING IS THE PROPRIETARY PROPERTY OF COMPAL ELECTRONICS, INC. AND CONTAINS CONFIDENTIAL AND TRADE SECRET INFORMATION. THIS SHEET MAY NOT BE TRANSFERRED FROM THE CUSTODY OF THE COMPETENT DIVISION OF R&D DEPARTMENT EXCEPT AS AUTHORIZED BY COMPAL ELECTRONICS, INC. NEITHER THIS SHEET NOR THE INFORMATION IT CONTAINS MAY BE USED BY OR DISCLOSED TO ANY THIRD PARTY WITHOUT PRIOR WRITTEN CONSENT OF COMPAL ELECTRONICS, INC.

COMPAL ELECTRONICS, INC		
Title Connector / DC-DC Interface		
Size B	Document Number 888M1	Rev 1.0
Date: Tuesday, April 24, 2001	Sheet	32 of 38



THIS SHEET OF ENGINEERING DRAWING IS THE PROPRIETARY PROPERTY OF COMPAL ELECTRONICS, INC. AND CONTAINS CONFIDENTIAL AND TRADE SECRET INFORMATION. THIS SHEET MAY NOT BE TRANSFERRED FROM THE CUSTODY OF THE COMPETENT DIVISION OF R&D DEPARTMENT EXCEPT AS AUTHORIZED BY COMPAL ELECTRONICS, INC. NEITHER THIS SHEET NOR THE INFORMATION IT CONTAINS MAY BE USED BY OR DISCLOSED TO ANY THIRD PARTY WITHOUT PRIOR WRITTEN CONSENT OF COMPAL ELECTRONICS, INC.

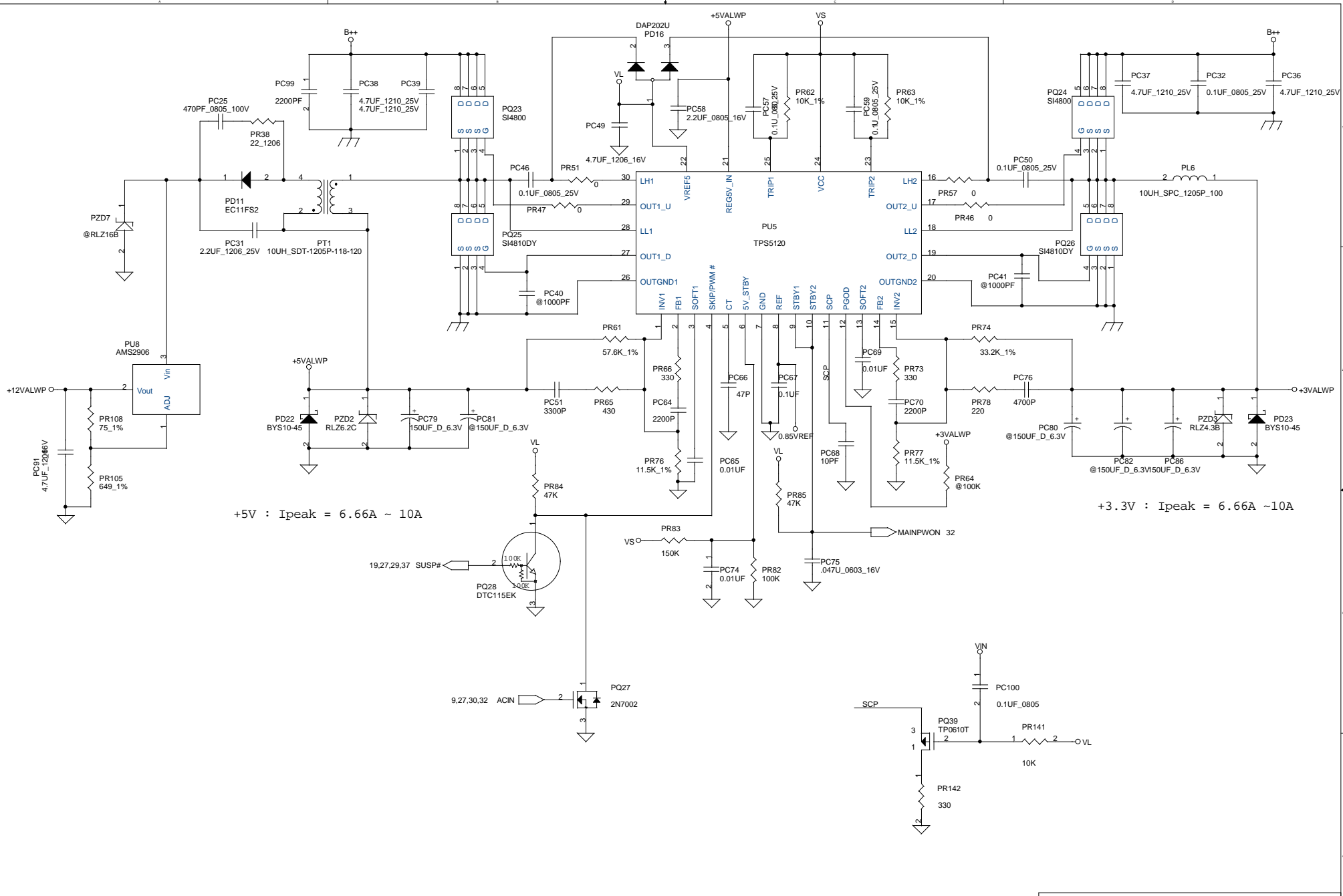
COMPAL ELECTRONICS, INC		
Title	CHARGER	
Size	Document Number	Rev
B	888M1	1.0
Date:	Tuesday, April 24, 2001	Sheet 33 of 38



**8 CELLS BATTERY UVP
H 12.16V L 11.09V**

THIS SHEET OF ENGINEERING DRAWING IS THE PROPRIETARY PROPERTY OF COMPAL ELECTRONICS, INC. AND CONTAINS CONFIDENTIAL AND TRADE SECRET INFORMATION. THIS SHEET MAY NOT BE TRANSFERRED FROM THE CUSTODY OF THE COMPETENT DIVISION OF R&D DEPARTMENT EXCEPT AS AUTHORIZED BY COMPAL ELECTRONICS, INC. NEITHER THIS SHEET NOR THE INFORMATION IT CONTAINS MAY BE USED BY OR DISCLOSED TO ANY THIRD PARTY WITHOUT PRIOR WRITTEN CONSENT OF COMPAL ELECTRONICS, INC.

COMPAL ELECTRONICS, INC		
Title	Charger Slecter	
Size	Document Number	Rev
B	888M1	1.0
Date:	Tuesday, April 24, 2001	Sheet 34 of 38

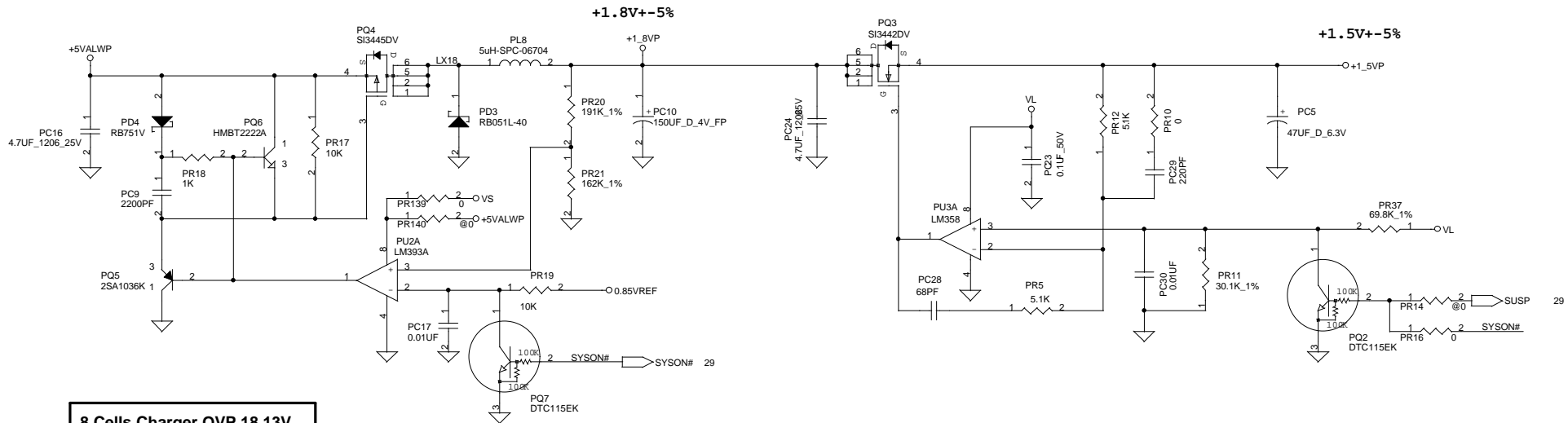


+5V : I_{peak} = 6.66A ~ 10A

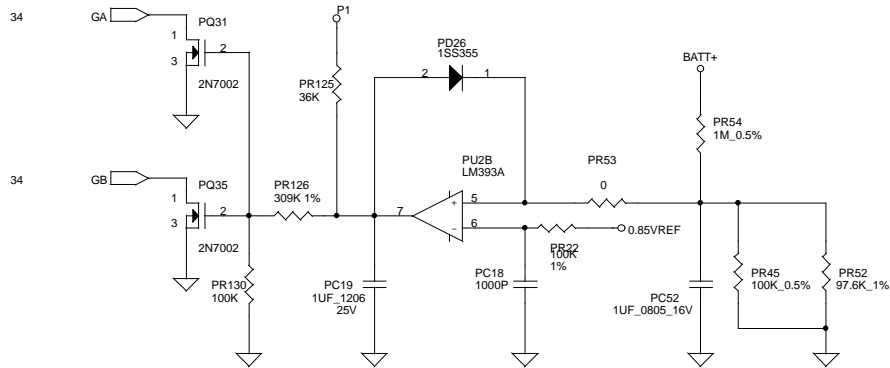
+3.3V : I_{peak} = 6.66A ~ 10A

THIS SHEET OF ENGINEERING DRAWING IS THE PROPRIETARY PROPERTY OF COMPAL ELECTRONICS, INC. AND CONTAINS CONFIDENTIAL AND TRADE SECRET INFORMATION. THIS SHEET MAY NOT BE TRANSFERRED FROM THE CUSTODY OF THE COMPETENT DIVISION OF R&D DEPARTMENT EXCEPT AS AUTHORIZED BY COMPAL ELECTRONICS, INC. NEITHER THIS SHEET NOR THE INFORMATION IT CONTAINS MAY BE USED BY OR DISCLOSED TO ANY THIRD PARTY WITHOUT PRIOR WRITTEN CONSENT OF COMPAL ELECTRONICS, INC.

COMPAL ELECTRONICS, INC			
Title		5V/3.3V/12V	
Size	Document Number	Rev	
B	888M1	1.0	
Date:	Tuesday, April 24, 2001	Sheet	35 of 38

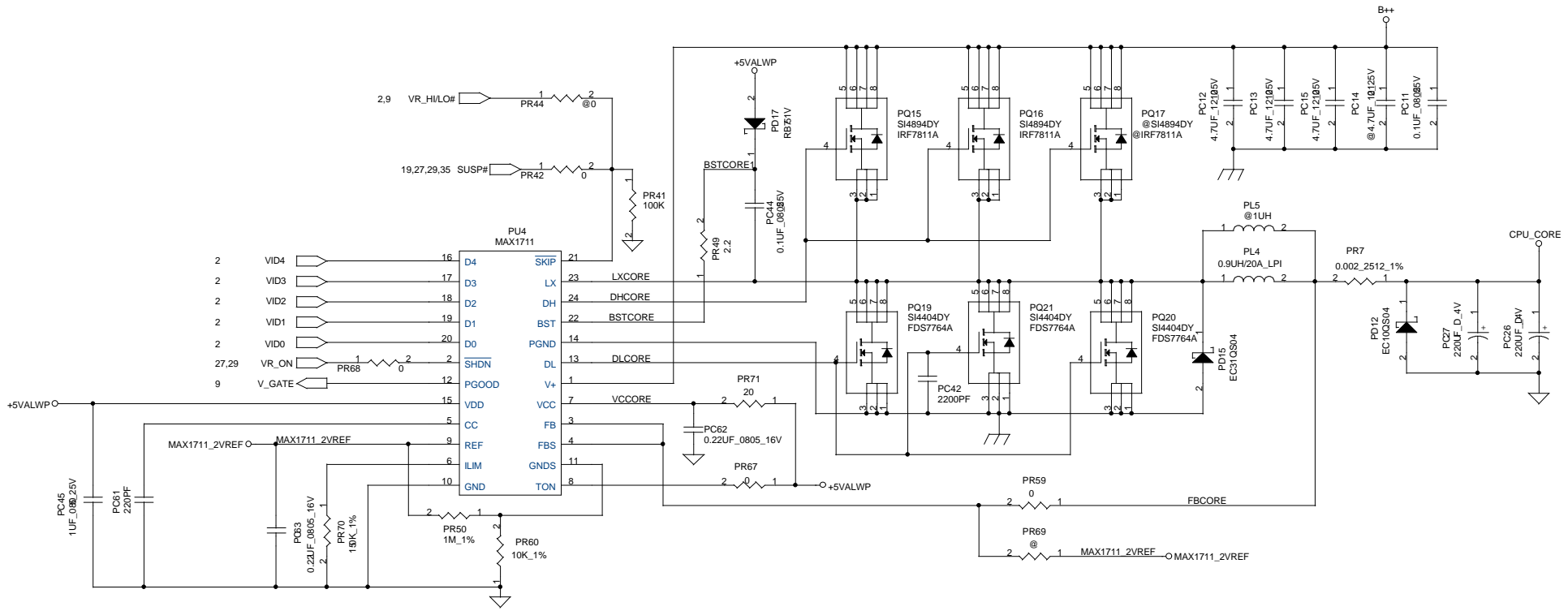


8 Cells Charger OVP 18.13V



THIS SHEET OF ENGINEERING DRAWING IS THE PROPRIETARY PROPERTY OF COMPAL ELECTRONICS, INC. AND CONTAINS CONFIDENTIAL AND TRADE SECRET INFORMATION. THIS SHEET MAY NOT BE TRANSFERRED FROM THE CUSTODY OF THE COMPETENT DIVISION OF R&D DEPARTMENT EXCEPT AS AUTHORIZED BY COMPAL ELECTRONICS, INC. NEITHER THIS SHEET NOR THE INFORMATION IT CONTAINS MAY BE USED BY OR DISCLOSED TO ANY THIRD PARTY WITHOUT PRIOR WRITTEN CONSENT OF COMPAL ELECTRONICS, INC.

COMPAL ELECTRONICS, INC		
Title		
1.8V/ CPU_IOP		
Size	Document Number	Rev
B	888M1	1.0
Date:	Tuesday, April 24, 2001	Sheet 36 of 38



THIS SHEET OF ENGINEERING DRAWING IS THE PROPRIETARY PROPERTY OF COMPAL ELECTRONICS, INC. AND CONTAINS CONFIDENTIAL AND TRADE SECRET INFORMATION. THIS SHEET MAY NOT BE TRANSFERRED FROM THE CUSTODY OF THE COMPETENT DIVISION OF R&D DEPARTMENT EXCEPT AS AUTHORIZED BY COMPAL ELECTRONICS, INC. NEITHER THIS SHEET NOR THE INFORMATION IT CONTAINS MAY BE USED BY OR DISCLOSED TO ANY THIRD PARTY WITHOUT PRIOR WRITTEN CONSENT OF COMPAL ELECTRONICS, INC.

COMPAL ELECTRONICS, INC		
Title		CPU_COREP
Size	Document Number	888M1
B		Rev 1.0
Date:	Tuesday, April 24, 2001	Sheet 37 of 38

888M1 PIR LIST

02/22/01 Written byferry

P04: Change VCC of Pull High to +3V at R186, R181&R4 and R185
P05: Remove @ atR266
P06: Change value of C256 to 100nF
Change VCC of Pull High to +3V R203
P07: Change VCC of U10 and C90 to +3V
P09: Remove @ atR45
Add @ 0 Ohm R435 and R436 between USB3_D+/- and USB2_D+/-
P10: Change VCC of R53 to 1.8V
Change VCC of R271 to +3V
P12: Change net to CBRST# at pin2 of JP8
P13: Delete net CRISIS# at pin5 of JP2
Delete Q18, Q17, R150, R159, R144 and R147
Change value of R160 to 10K
Change value of R144 to 10K
Change value of R149, R165 to 2.2K
Change VCC of Pull High to +5V at R160, R161 and R149
Change VCC of Pull High to +1.2V at R144
P14: Change net CBRST# at pin 1 of U16
P15: Change net to CBRST# at pin 1 of U15
Add 0 Ohm R429 between Pin3 of U15 and CBRST#
Add @ 0 Ohm R430 between G_RST# and CBRST#
Change net PCIRST# at pin4 of U18
Change net PCMRST# at pin4 of U18
P16: Add Q69, R431, R437 and Q70 to enable LAN
Change VCC of Pull High to +3V at R181
Delete C64
Short pin2 of R154 and R155 to pin1 of R154 and R157
P17: Change net CBRST# to pin4 of U49
Delete net between Pin 96 of U49 and Pin of RP38
P18: Add net RPOFF# at pin1 of JP18
Change net CBRST# at pin2 of R114
P19: Add @ at R82
Remove @ at D15
P20: Delete net SPDIAG# at pin2 of JP17
Delete net SIDE_PRES# at pin4 of JP17
Delete R289, R318, Q28, and Q33
Add U54 and C572 for SDRAM
P21: Change circuit of SmartMedia to 92163
P22: Delete C165, R143 and U17
P24: Change net RPOFF# at pin of Q9
Change net USBT_D+/- at Pin7 and Pin of JP15
P25: Change value of R329 to 100K
P26: Change value of C494 and C485 to 150uF
Delete JP22 and change type of JP16 to 4 pin connector
Delete C385 and U40 and replace U18
P27: Add @ 0 Ohm R432 between LDRQ#0 and pin of U32
Add @ at R28
P28: Change net KILL_SW# at pin of U23
Add @ 0 Ohm R433 between pin9 of U22 and RPOFF#
Delete net BT_LED# at pin of U21
Add net PCMRST# at pin of U21
Add net EN_LAN# at pin of U21
P30: Delete C392, C384, U41 and U38
Change type of JP6 to B to B connector
Add 0 Ohm R434 between Pin 9 of JP6 and RPOFF#
Change net KILL_SW# at Pin of U6
Change net LBCPD# at pin of 37
P31: Delete U33 and R351
Delete Q26 and Replace L8C
Change value of C378 to 0.022 0603
Change type of H11 to SMD-OPF
Pin5 tied to Pin1 of J35
P32: Change PCN1 DC JACK foot print to 5 pin for DFX.
P33: Change PQ14 footprint to 02023-Q.
P34: Battery A/B SMD ESD diode pull high from +5V to +3V.
P34: P3 fuse change from SA slow to 7A fast 1206 for ME.
P35: PC57/PC59/PR62/PR63 connect from Bto C.
P36: Change PC5 from 68UF_EC_25V to Panasonic 47UF_25V for ME.
Add 0 Ohm PR139 between VS and pin of PU2
Add @ 0 Ohm PR140 between +5V and pin of PU2

02/26/01 Written byferry

P12: Change VCC to +12V at pin of JP11
P21: Add C578, R446, and C579
Add @2SC2411K at Q71

02/27/01 Written byferry

P32: Add R2

03/02/01 Written byferry

P04: Add buffer between PCIRST# and CH2-M
P12: Add R447 and C508 at CLK
P16: Add R448, R449, R450, D38, D33 and D40
P35: Add PR14100K

03/05/01 Written byferry

P25: Add C581 for MIC circuit

03/06/01 Written byferry

P21: Change net SM_FRE# to pin of J47
P31: Change H29, H5 footprint
Delete H32 and H6

***** Rev0.3 PIR List *****

03/19/01 Written byferry

P32: Change value of PC8 to 100K_0805
Add @ on R2

P33: Add PC97 in pin of PU6
Add PC98 in pin of PU6

P34: Change value of PR110 and PR 116 549K 1%
Change value of PR109 and PR 117 243K 1%
Change VCC of ESD Diode to +5V at L17, PD276, and PD7
P35: Add PC?? in B+
Add @ in P27
Change net VS to B+ in Pin of PU5
Change value of PR108 to 10K
Change value of PR105 to 10K
Change value of PR76 and PR77 to 5K 1%
Change value of PR74 to 2K 1%
Change value of PR83 to 50K
Add @ in PR41
Delete PR104, PC85, PR58, and PR75
Change value of PU8 to M2906
Change pull high VCC to +3V at PU6

03/21/01 Written byferry

P09: Remove @ in D20
P12: Connection R447 and C580
P16: Delete R448, R449, R450, D38, D33 and D40
Change type of RJ45 to with LED JP5
Add R452, R453, Q72, and Q73
P17: Add @ in C524 and C567
Connection Pin87 of U49 and Pin of RP38
P19: Remove @ in R182 and Add @ in D15
P21: Add Q74, Q75, Q76, R454, and C582
Change value of Q71 to 2010DS
Add @ in R46
Add U55, R455, R456, and C583
Change value of R443 to 10K
Add net SM_5VON, SM_3VON, SM_LED, and SM_LVD
Change value of C575 to F00603
P24: Add @ in R123, Q9, C131, Q11, C132, C121, R12126C and JP15
P28: Add @ in R8
P30: Add net SM_LED in pin of JP6
P31: Update Standoff

03/23/01 Written byferry

P20: Change VCC of Q10 to 5VDC
Change type of JP7 to SUVIN 2020 545-A
P32: Change PR94 10K to 0 Ohm
P34: Change PR110, PR116 to 549K and PR109, PR117 to 243K. (U2P, ME L11.09V)
P35: Add PC100, PR141, PR142, PQ39

03/26/01 Written byferry

P13: Change value of L19 to 0_0805
P21: Add F5 for SMVCC

03/28/01 Written byferry

P13: Change FootPrint foJP2
P19: Change VCC of R339 to 5VDC
P31: Modify Hold side in H and H29

***** Rev1.0 PIR List *****

04/13/01 Written byferry

P02: Add D38 and Q77 for 1.6V/3V delete
P16: Change value of R452 and R453 800_0603
Update LED circuit
P18: Add D39 for wireless RPOFF#
P22: Add net 17V/16V# in pin of U24
P23: Change value of R1 to 1_1206
Add R457 4_7_206
P27: Change net BUTTON_LOCK# to MP3# in pin of U32
P28: Add net BID in pin of U19
R151 pin 1 tied to 3V
P30: Delete net BUTTON_LOCK# in pin of JP6
Add net MP3# in pin of JP6
P31: Delete Screw Hole H17
P33: Change value of PR to 10K
Delete P3
P34: Change value PR120 to 270K
P35: Change net B+ to VS in pin of PU5

04/16/01 Written byferry

P16: Add R458, R459 for LAN reset
P28: Add net 2ND_BATT_LOW_LED# in pin of U21
Change net name from CD_FDD_LED# to 2ND_CHCH_FDD_LED#
P30: Add net 2ND_BATT_LOW_LED# in pin of JP6
Change net name from CD_FDD_LED# to 2ND_CHCH_FDD_LED#

04/18/01 Written byferry

P21: Delete RP39, RP40, and R442
Add D40, R460, C585, C584, U56 and U57
Change R444 pull high VCC to +5V

04/19/01 Written byferry

P13: Update JP3 footprint
P16: Add D41
P19: Change value of D33 to RB751
P21: Move net SM_FRE# to pin of U47
Move net SM_5VON# to pin of U47
Remove @ in R455, R456, C583 and U55
P23: Update JP4 footprint
P23: Update ST1, ST2, ST3, ST4, H11, H2, H24, H12, H13, H14, H15 footprint

04/20/01 Written byferry

P35: Change value of PT1 to 100H-SDT-500118-120

04/24/01 Written byferry

P09: Change value of CP6 and CP5 to R44R-22PF
P16: Swap signals on pin10 and pin of JP5
P21: Change footprint foJP4

04/25/01 Written byferry

P21: Add @ in R455, R456, C583 and U55
P28: Remove @ in R8

04/26/01 Written byferry

P19: Change value of R33 to 240K
Change value of R13 to 10K

Compal Electronics, Inc.			
Title		888M1 PIR LIST	
Size	Document Number	Rev 1.0	
B	888M1		
Date:	Thursday, April 26, 2001	Sheet	38 of 38

THIS SHEET OF ENGINEERING DRAWING IS THE PROPRIETARY PROPERTY OF COMPAL ELECTRONICS, INC. IT IS UNLAWFUL TO REPRODUCE, COPY, OR DISCLOSE THIS INFORMATION TO ANY OTHER PERSON WITHOUT THE WRITTEN CONSENT OF COMPAL ELECTRONICS, INC. TRADE SECRET INFORMATION. THIS SHEET MAY NOT BE TRANSFERRED FROM THE CUSTODY OF THE DESIGN DIVISION OF R&D DEPARTMENT EXCEPT AS AUTHORIZED BY COMPAL ELECTRONICS, INC. NEITHER THIS SHEET NOR THE DRAWING IT CONTAINS MAY BE USED BY OR DISCLOSED TO ANY THIRD PARTY WITHOUT PRIOR WRITTEN CONSENT OF COMPAL ELECTRONICS, INC.