

Service Schematics

NOKIA 5700

RM-230

Introduction

Important:

This document is intended for use by authorized service centers only.

“Service Schematics” was created with focus on customer care.
The purpose of this document is to provide further technical repair information for NOKIA mobile phones on Level 3/4 service activities.
It contains additional information such as e.g. “Component finder”.
Saving process time and improving the repair quality is the aim of this document.
It is to be used additionally to the service manual and other training or service information such as Service Bulletins.

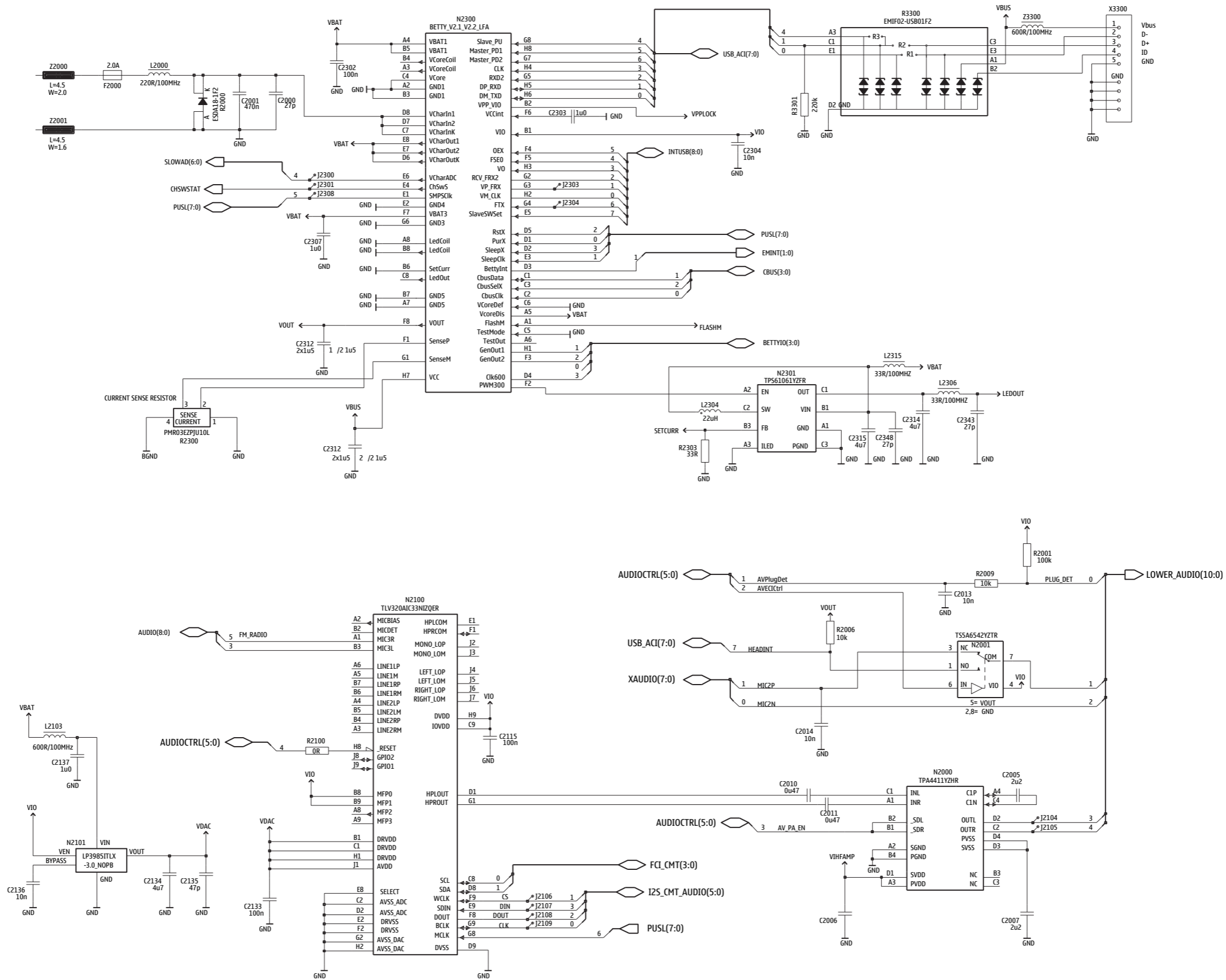
While every endeavour has been made to ensure the accuracy of this document, some errors may exist. If the reader finds any errors, NOKIA should be notified in writing.

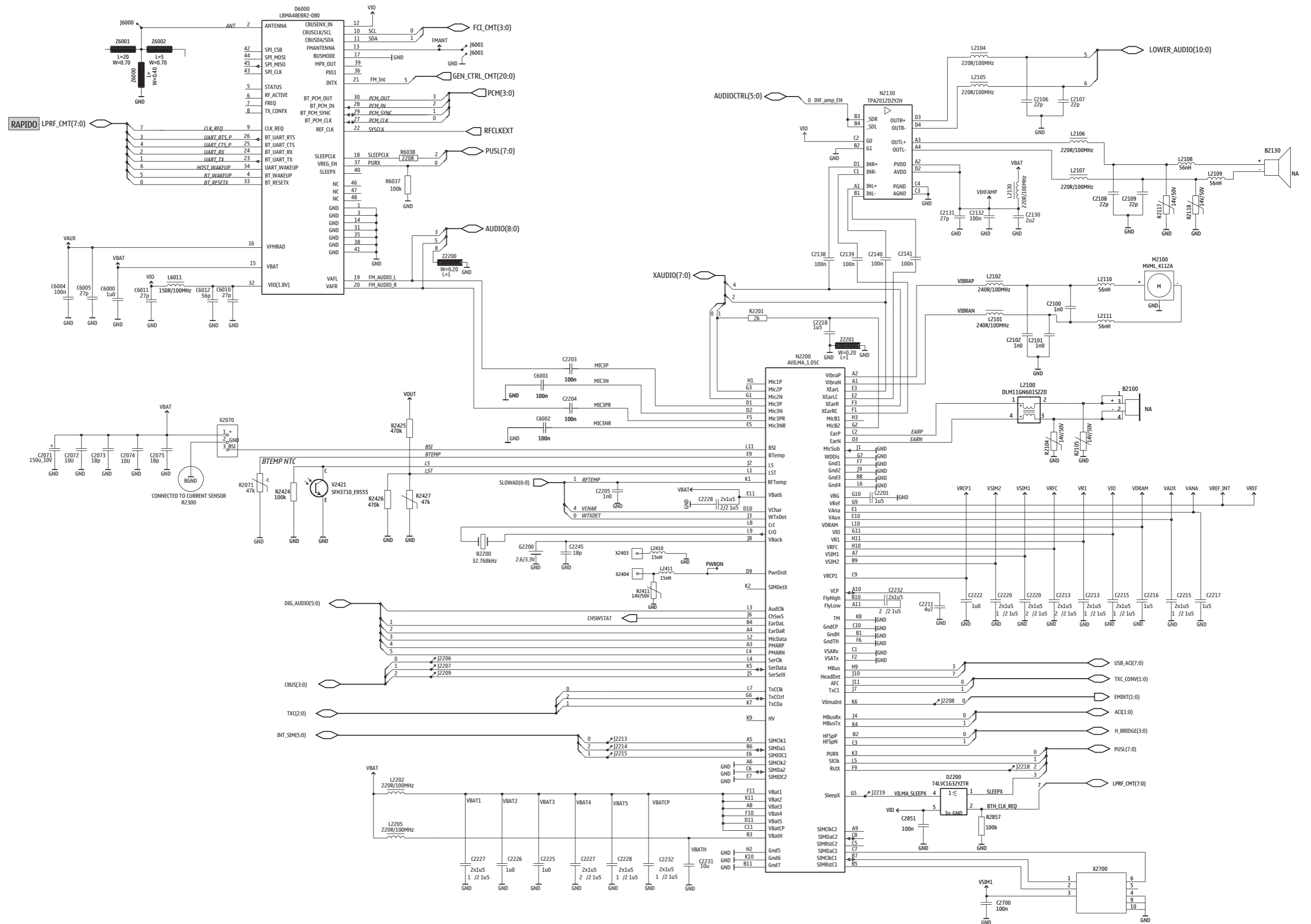
Please send E-Mail to: training.sace@nokia.com

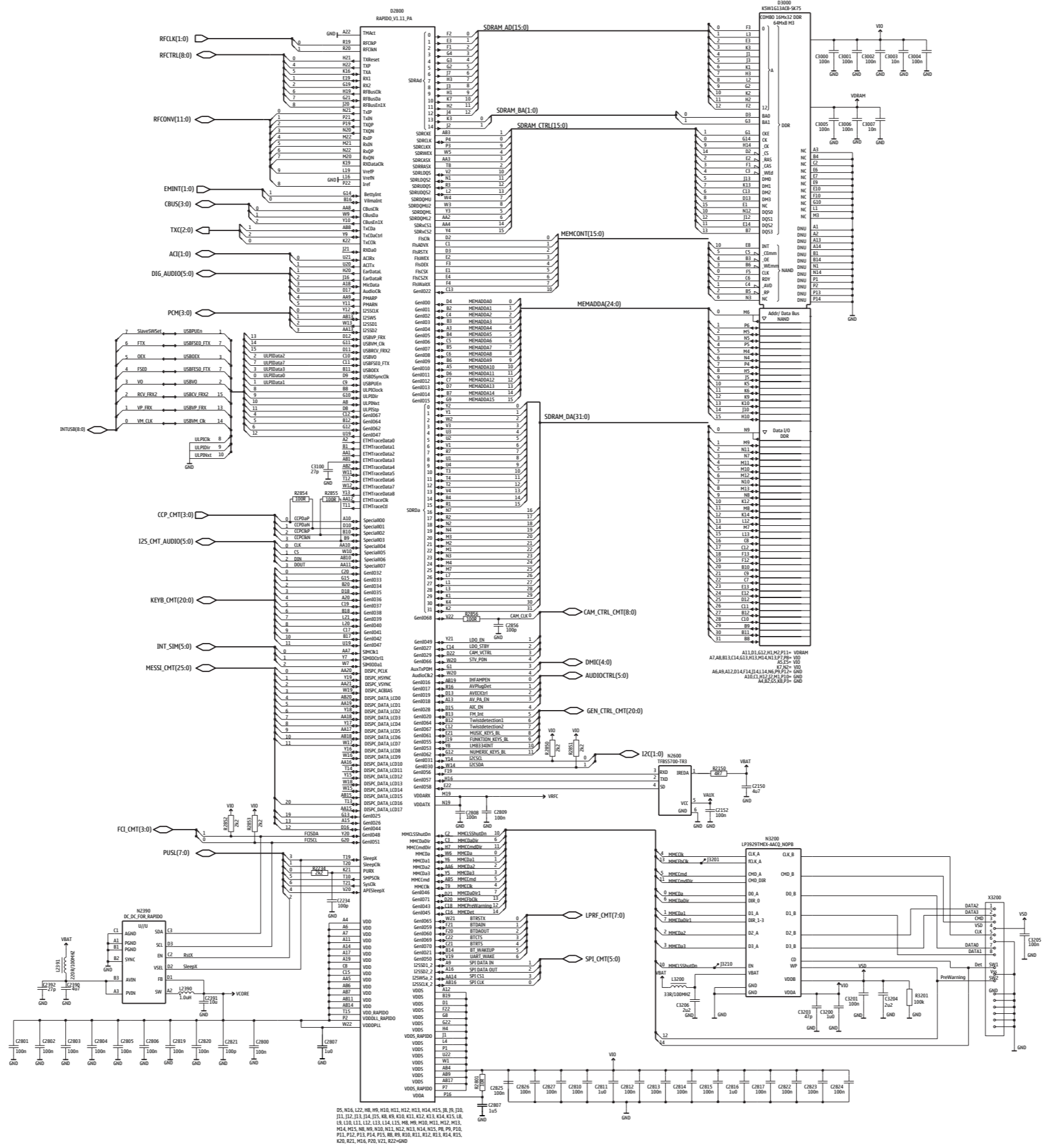


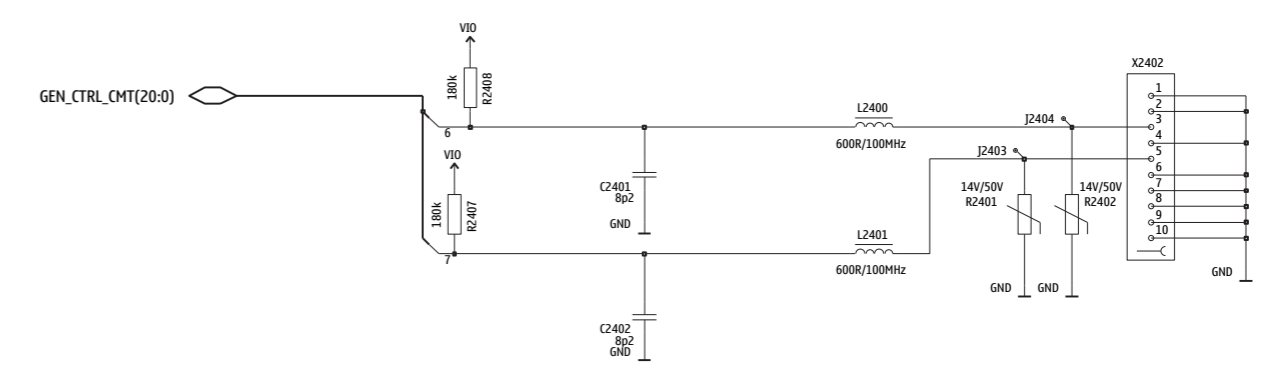
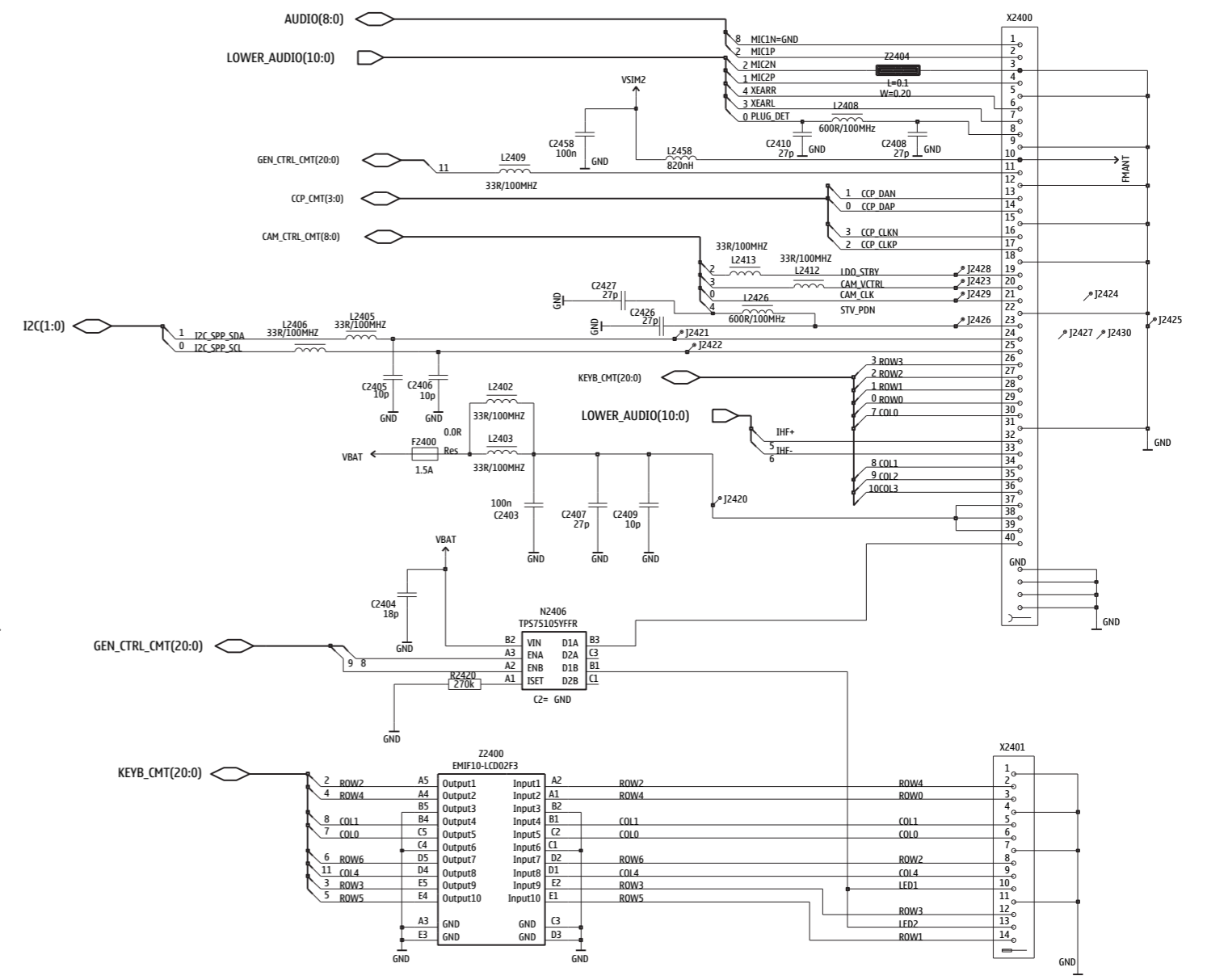
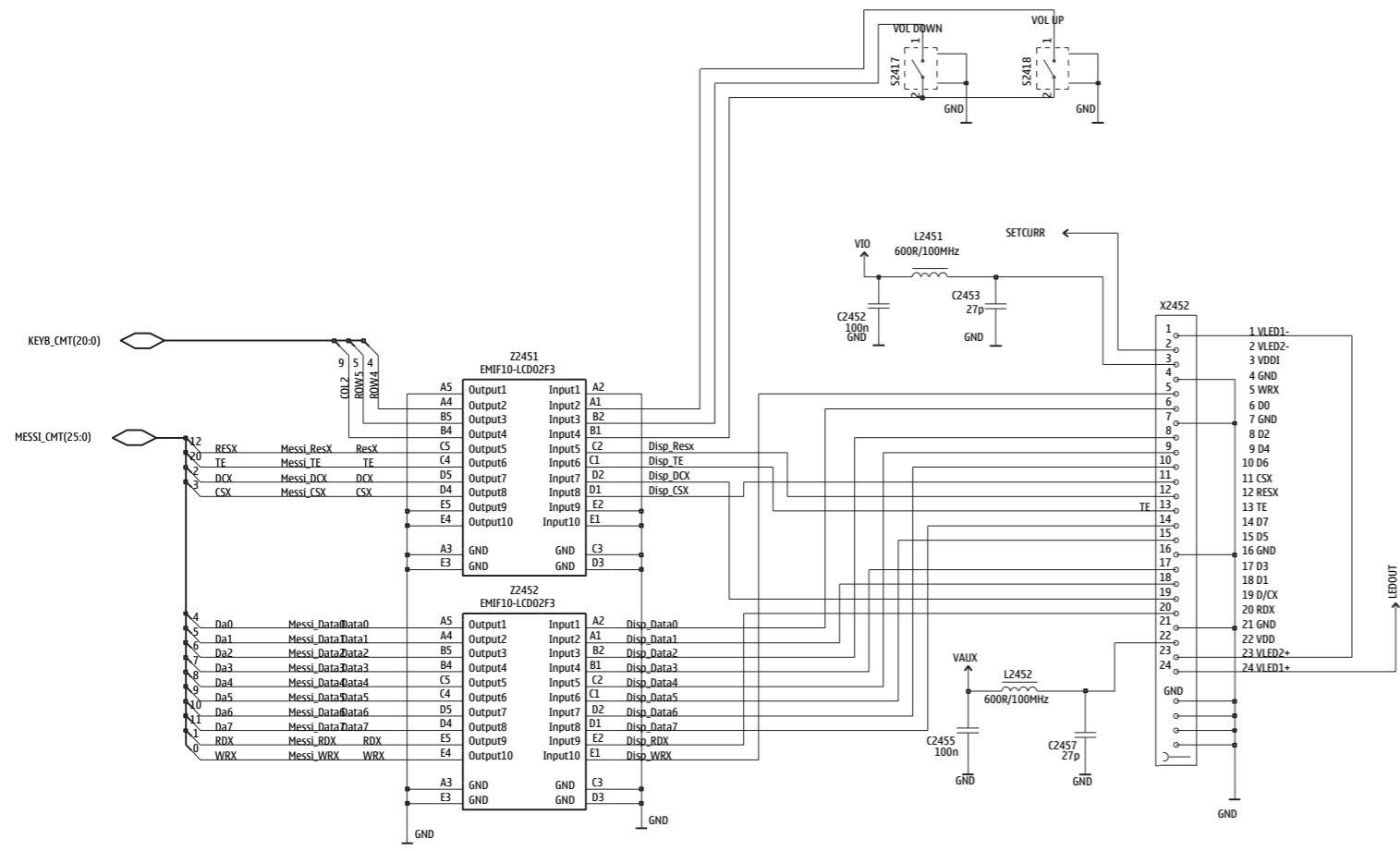
Table of contents	
Frontpage	1
BETTY, Mini USB, Audio	2
AVILMA, BTHFM, SIM, Audio	3
RAPIDO, Combo , microSD, IrDA	4
User Interface	5
Lower PWB UI	6
Lower PWB camera driver, flash light	7
Flex foils & hinge	8
RF part	9
Component finder	10

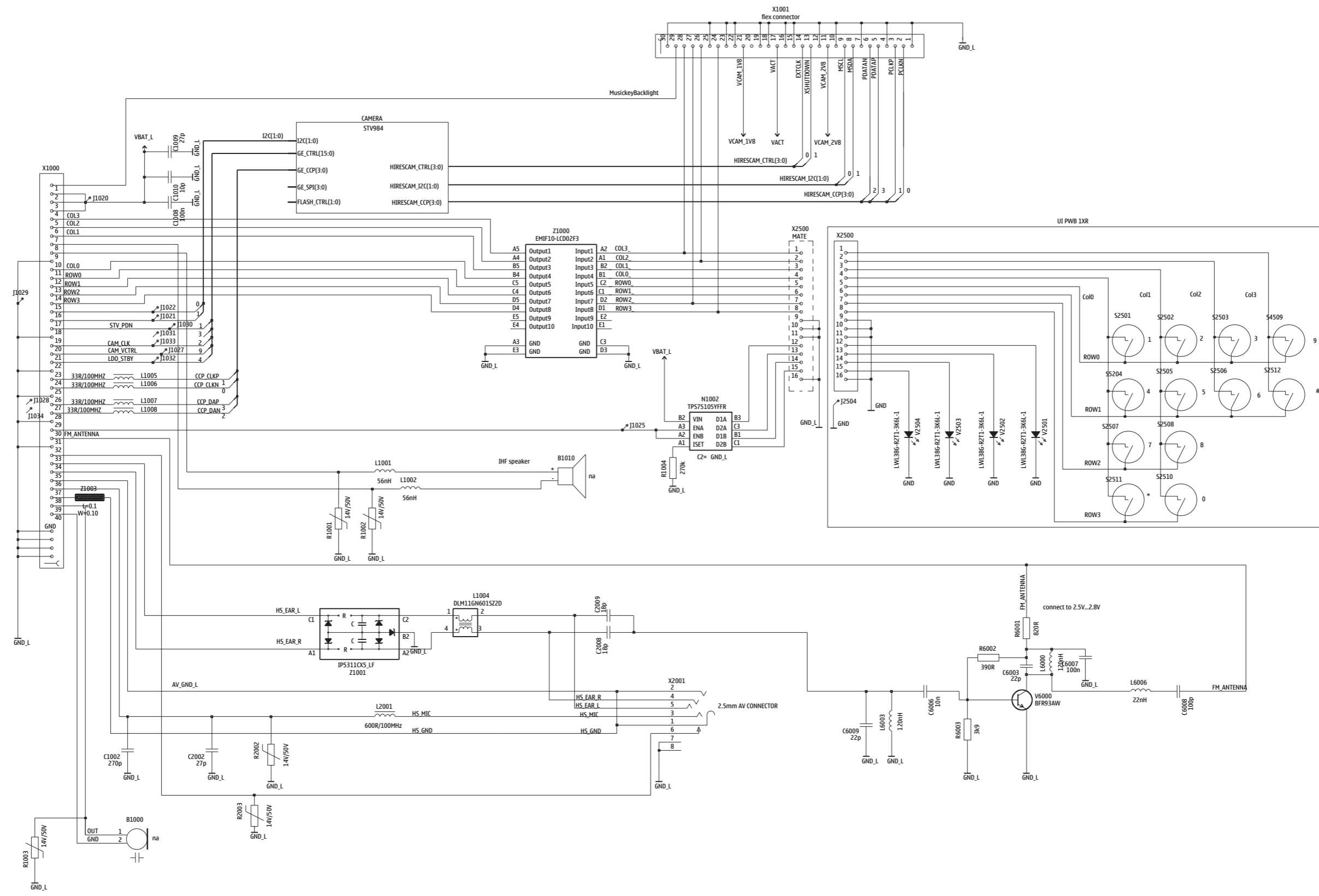
Copyright © NOKIA
This material, including documentation and any related computer programs is protected by copyright, controlled by NOKIA. All rights are reserved. Copying, including reproducing, modifying, storing, adapting or translating any or all of this material requires the prior written consent of NOKIA. This material also contains confidential information, which may not be disclosed to others without the prior written consent of NOKIA.

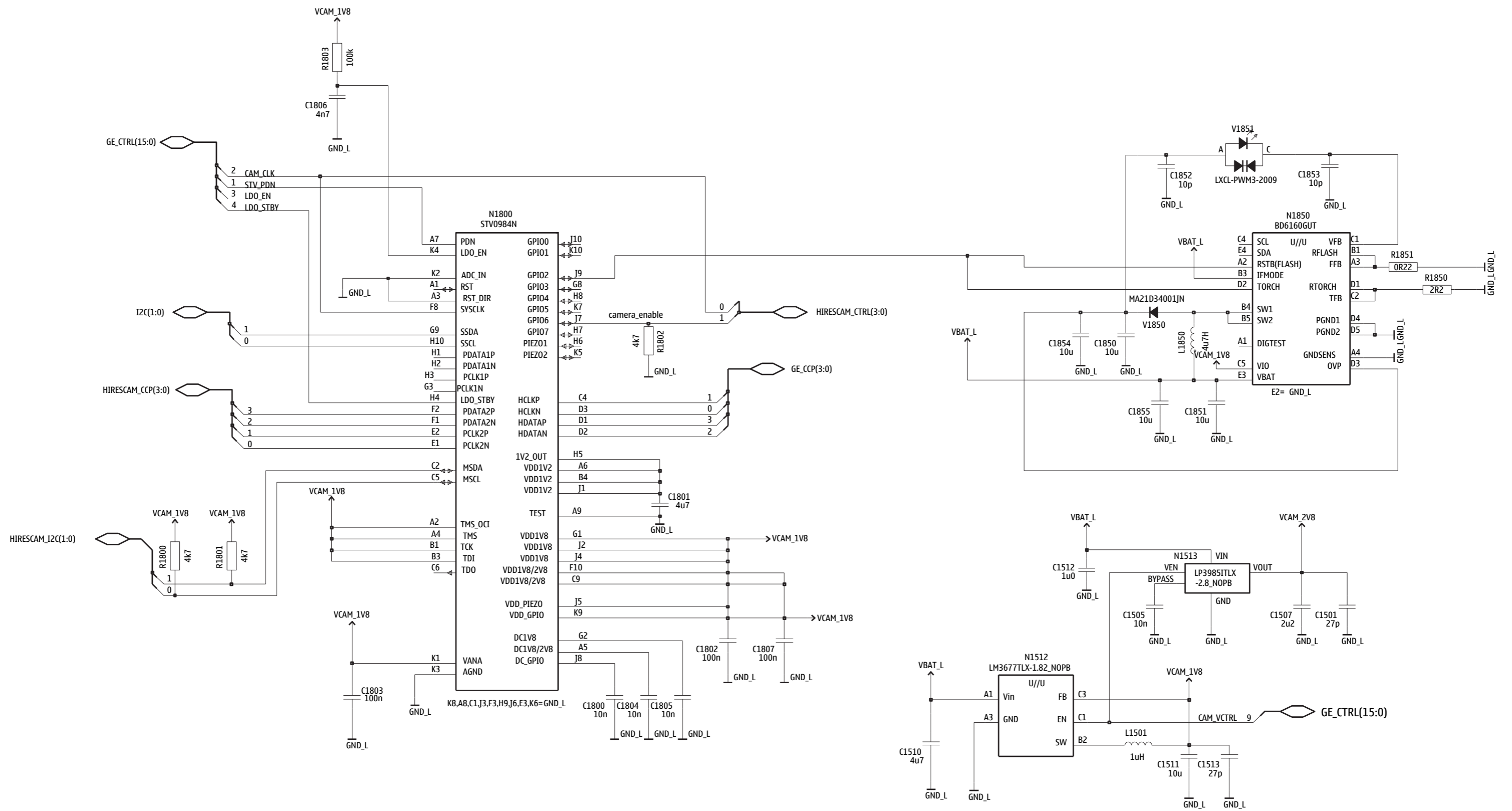


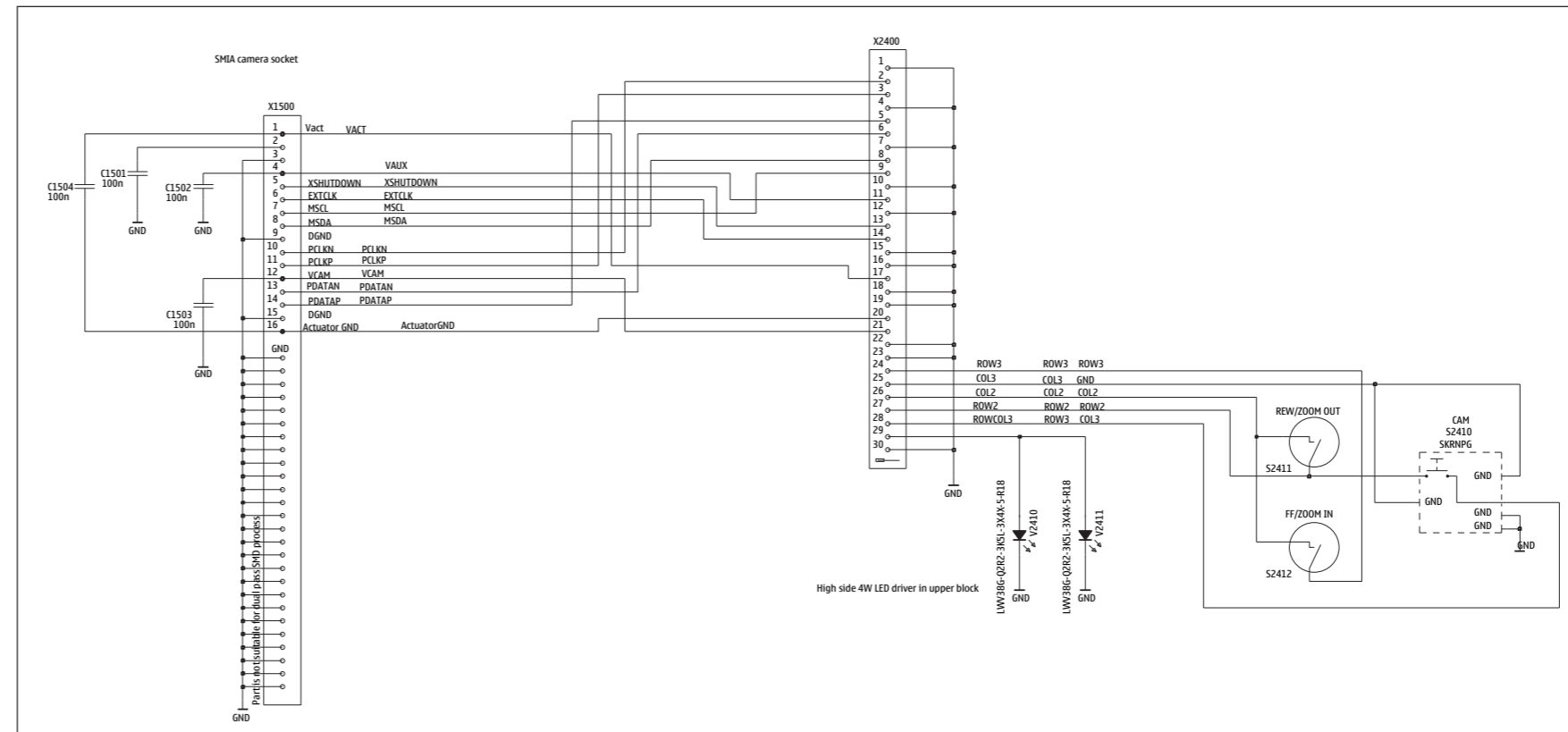
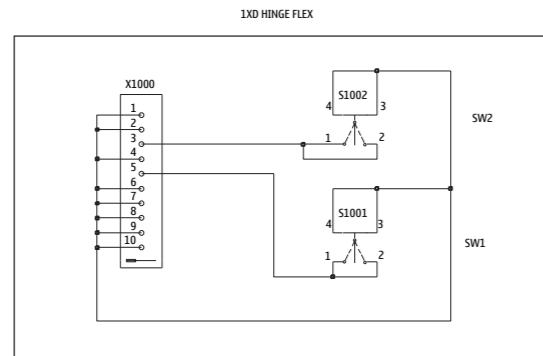
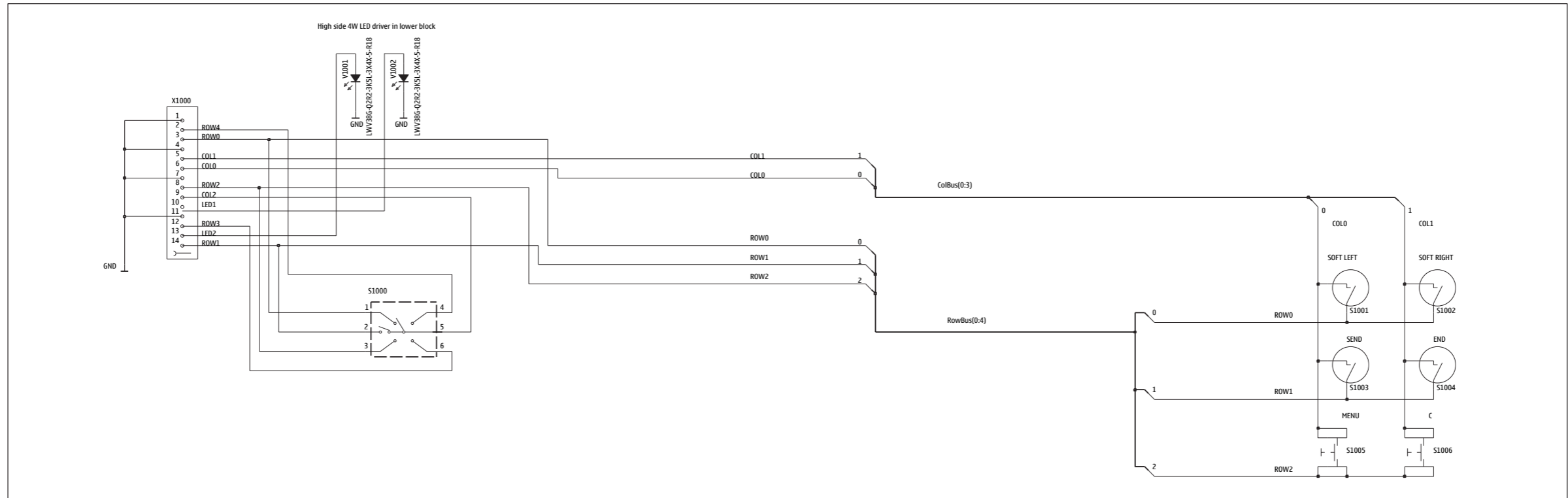


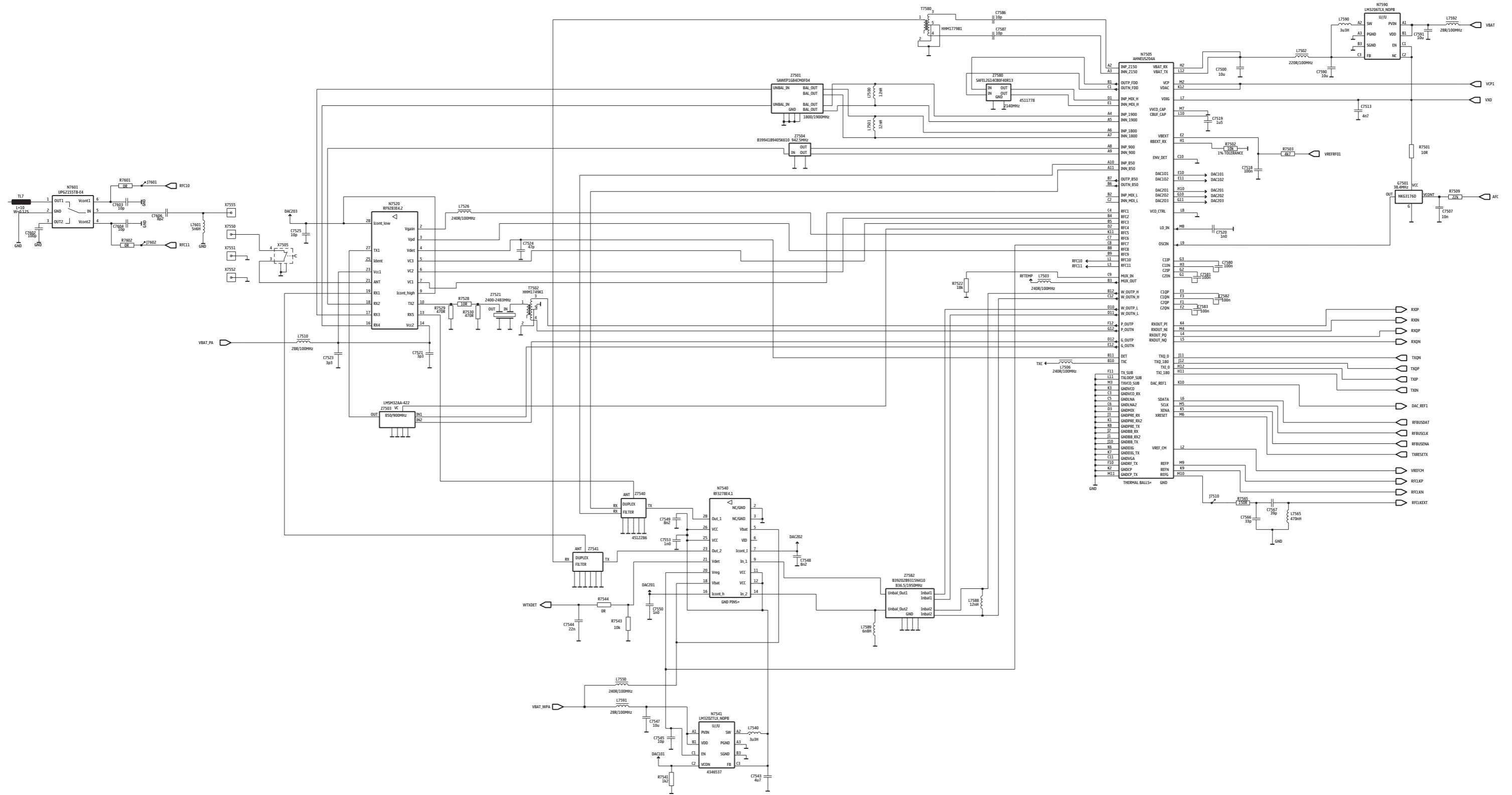












B	C2136	N4	C2807	F3	C7545	D9	J2308	I5	L2202	I4	N7505	D3	R6038	M4	
B1000	T4	C2137	N4	C2808	H3	C7547	C8	J2403	N4	L2205	K2	N7520	D6	R7501	D2
B1010	R8	C2138	L4	C2809	G3	C7548	D9	J2404	N4	L2304	L6	N7540	D8	R7502	C3
B2100	B6	C2139	L4	C2810	F6	C7549	D8	J2420	M6	L2306	L5	N7541	C8	R7503	C4
B2130	C3	C2140	L4	C2811	F6	C7550	D9	J2421	M6	L2315	K6	N7590	E4	R7509	E3
B2200	J4	C2141	L4	C2812	I4	C7553	D8	J2422	M6	L2390	J6	N7601	B5	R7522	D4
C	C2150	F8	C2813	I6	C7560	C7	J2423	M5	L2391	J6	R		R7528	E6	
C1002	S3	C2152	F9	C2814	F3	C7561	C7	J2424	M5	L2400	N3	R1001	P7	R7529	E6
C1008	S8	C2201	J4	C2815	I6	C7565	H2	J2425	M5	L2401	N3	R1002	P8	R7530	E6
C1009	S9	C2202	L4	C2816	F5	C7566	H2	J2426	M5	L2402	L8	R1003	T4	R7541	C9
C1010	S9	C2203	K3	C2817	I6	C7567	H2	J2427	M5	L2403	K8	R1004	S10	R7543	D8
C1501	Q3	C2204	K3	C2818	G3	C7580	C2	J2428	M5	L2405	K6	R1005	U5	R7544	D8
C1505	P3	C2205	K4	C2819	I3	C7581	C2	J2429	M5	L2406	K6	R1800	Q6	R7565	H2
C1507	P3	C2211	J2	C2820	F3	C7582	C2	J2430	M6	L2408	L5	R1801	Q6	R7601	C5
C1510	P7	C2213	J4	C2821	I3	C7583	C3	J3107	K4	L2409	K4	R1802	R7	R7602	C4
C1511	Q8	C2215	I3	C2822	F4	C7586	C4	J3108	K4	L2410	B6	R1803	S7	S	
C1512	P4	C2216	J4	C2823	F7	C7587	C4	J3109	K3	L2411	B6	R1850	R4	S2417	H1
C1513	Q8	C2217	K3	C2824	H3	C7590	E4	J3111	K3	L2412	K7	R1851	S4	S2418	F1
C1800	S7	C2218	L3	C2825	F6	C7591	D4	J3112	K4	L2413	K6	R1852	Q2	T	
C1801	R6	C2220	J2	C2826	F5	C7602	B5	J3113	K3	L2426	L6	R1853	Q2	T7502	E5
C1802	S6	C2222	J3	C2851	L5	C7603	C5	J3114	K5	L2451	B2	R2000	L8	T7580	C5
C1803	R6	C2225	J3	C2856	H3	C7604	C4	J3115	I2	L2452	B2	R2001	G4	U	
C1804	Q6	C2226	J4	C2857	G3	C7606	A5	J3116	I2	L2458	M4	R2002	T3	U1	I2
C1805	R6	C2227	J3	C3000	I7	D		J3117	I2	L3200	K9	R2003	S4	V	
C1806	S7	C2228	J3	C3001	I7	D2800	G5	J3118	I2	L6000	S5	R2005	M8	V1850	Q4
C1807	R7	C2231	L3	C3002	F7	D2851	L5	J3201	K9	L6003	T4	R2006	K4	V1851	Q1
C1850	Q4	C2232	J3	C3003	F8	D3000	G7	J3210	K8	L6006	T4	R2009	G4	V2421	A8
C1851	R4	C2233	J5	C3004	F7	D6000	L3	J6000	J2	L6011	M3	R2070	G8	V6000	R5
C1852	P3	C2234	J4	C3005	I7	F		J6001	M4	L7500	D4	R2071	L10	X	
C1853	Q3	C2245	I4	C3006	G8	F2000	M8	J6002	K2	L7501	D4	R2100	L5	X1000	T7
C1854	R4	C2302	J5	C3007	F7	F2400	K8	J6003	K2	L7502	E4	R2104	B6	X1001	R4
C1855	R4	C2303	K6	C3100	K4	G		J6004	K2	L7503	C3	R2105	B6	X2001	T5
C2000	L8	C2304	J5	C3200	K9	G2200	F9	J6005	K2	L7506	E3	R2117	E3	X2060	B9
C2001	L8	C2307	J6	C3201	L9	G7501	E3	J6006	K4	L7510	E7	R2118	E3	X2070	G8
C2002	T3	C2312	K5	C3203	K9	J		J6007	L3	L7526	C5	R2150	F9	X2400	L6
C2005	N8	C2314	L5	C3204	K8	J1020	S7	J6008	K3	L7540	C8	R2201	L3	X2401	N2
C2006	M7	C2315	K6	C3205	L9	J1021	S7	J6009	L4	L7550	C9	R2234	J4	X2402	N3
C2007	N7	C2343	L5	C3206	L9	J1022	S7	J6010	M4	L7565	H2	R2300	G8	X2403	B6
C2008	T4	C2348	K6	C3291	J5	J1027	S8	J7510	G2	L7580	C4	R2303	K2	X2404	B6
C2009	T4	C2390	J6	C6000	M2	J1028	S8	J7601	B4	L7588	E4	R2401	N3	X2452	B3
C2010	M8	C2392	J6	C6001	M3	J1029	S8	J7602	B5	L7589	E4	R2402	N3	X2700	I5
C2011	M8	C2401	N4	C6002	M4	J1030	T8	L		L7590	E5	R2407	I4	X3200	K8
C2012	M7	C2402	N4	C6003	S5	J1031	T8	L1001	P8	L7591	C9	R2408	I4	X3300	H9
C2013	G4	C2403	K7	C6004	M2	J1032	T7	L1002	P8	L7592	D5	R2411	B6	X7505	C7
C2014	K4	C2404	K2	C6005	M2	J1033	T7	L1004	T4	L7599	B7	R2420	L2	X7550	A8
C2071	F6	C2405	L6	C6006	T4	J1034	T7	L1005	S7	L7601	A5	R2424	B8	X7551	A9
C2072	F7	C2406	L6	C6007	S5	J1025	T10	L1006	S6	M		R2425	K5	X7552	A7
C2073	G8	C2407	K7	C6008	T5	J2060	K6	L1007	S6	M2100	F4	R2426	B8	X7555	A4
C2074	F7	C2408	L5	C6009	T4	J2104	N6	L1008	S6	N		R2427	A8	Z	
C2075	G8	C2409	K7	C6010	L3	J2105	N6	L1501	Q8	N1002	T10	R2801	G3	Z1000	R8
C2100	G5	C2410	K5	C6011	M3	J2106	L5	L1850	Q3	N1512	P7	R2850	F4	Z1001	T4
C2101	K2	C2426	L5	C6012	M4	J2107	L4	L2000	M8	N1513	P3	R2851	F4	Z2400	L3
C2102	K2	C2427	K5	C7500	D2	J2108	L4	L2001	T3	N1800	R6	R2852	F4	Z2451	G3
C2106	N6	C2452	D2	C7507	E3	J2109	L5	L2100	B5	N1850	R4	R2853	H3	Z2452	G2
C2107	M6	C2453	A2	C7513	D2	J2206	K4	L2101	K2	N2000	M8	R2854	I5	Z3300	I8
C2108	M6	C2455	D2	C7518	C4	J2207	K4	L2102	K2	N2001	L4	R2855	I5	Z7501	C5
C2109	M6	C2457	B2	C7519	D2	J2208	I2	L2103	N4	N2100	M5	R2856	H3	Z7503	D5
C2115	M4	C2458	M4	C7520	C2	J2209	K4	L2104	N6	N2101	N4	R2857	K5	Z7504	D4
C2120	G5	C2700	I7	C7521	C7	J2213	I3	L2105	M6	N2130	M5	R3201	L8	Z7521	E6
C2121	G5	C2800	F5	C7522	C5	J2214	I3	L2106	M6	N2150	F10	R3202	I7	Z7540	E7
C2130	M5	C2801	F5	C7523	E7	J2215	I3	L2107	M6	N2200	K3	R3300	I8	Z7541	D7
C2131	M5	C2802	I4	C7524	C5	J2219	L5	L2108	E2	N2300	K5	R3301	I8	Z7580	C4
C2132	M5	C2803	F5	C7525	C6	J2300	J4	L2109	E3	N2301	K6	R6001	S5	Z7582	E3
C2133	N5	C2804	I4	C7540	D8	J2301	J4	L2110	G5	N2390	J5	R6002	R5		
C2134	N5	C2805	I5	C7543	D8	J2303	I5	L2111	G5	N2406	L2	R6003	R5		
C2135	N5	C2806	I6	C7544	D9	J2304	I5	L2130	M6	N3200	K9	R6037	M3		

