

Nokia 110, 1100, 111, 1110

RM-827, RM-810,
RM-811, RM-871

11.05.2012
v1.0



efrcom
CONFIDENTIAL

IMPORTANT

This document is intended for use by authorized Nokia service centers only. Please use the document together with other documents such as the Service Manual and Service Bulletins.

Version information

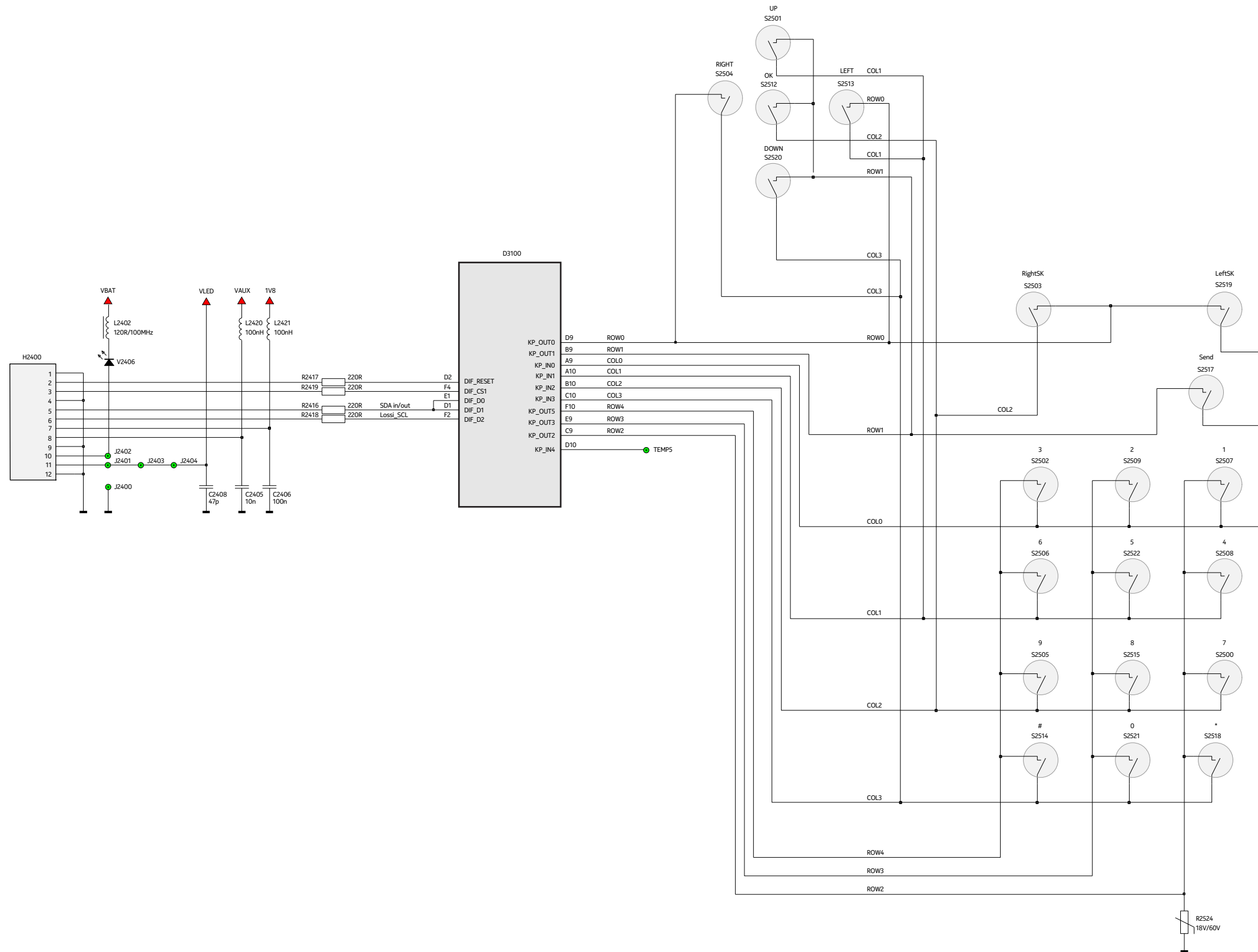
While every effort has been made to ensure that the document is accurate, some errors may exist. Please always check for the latest published version for this document.

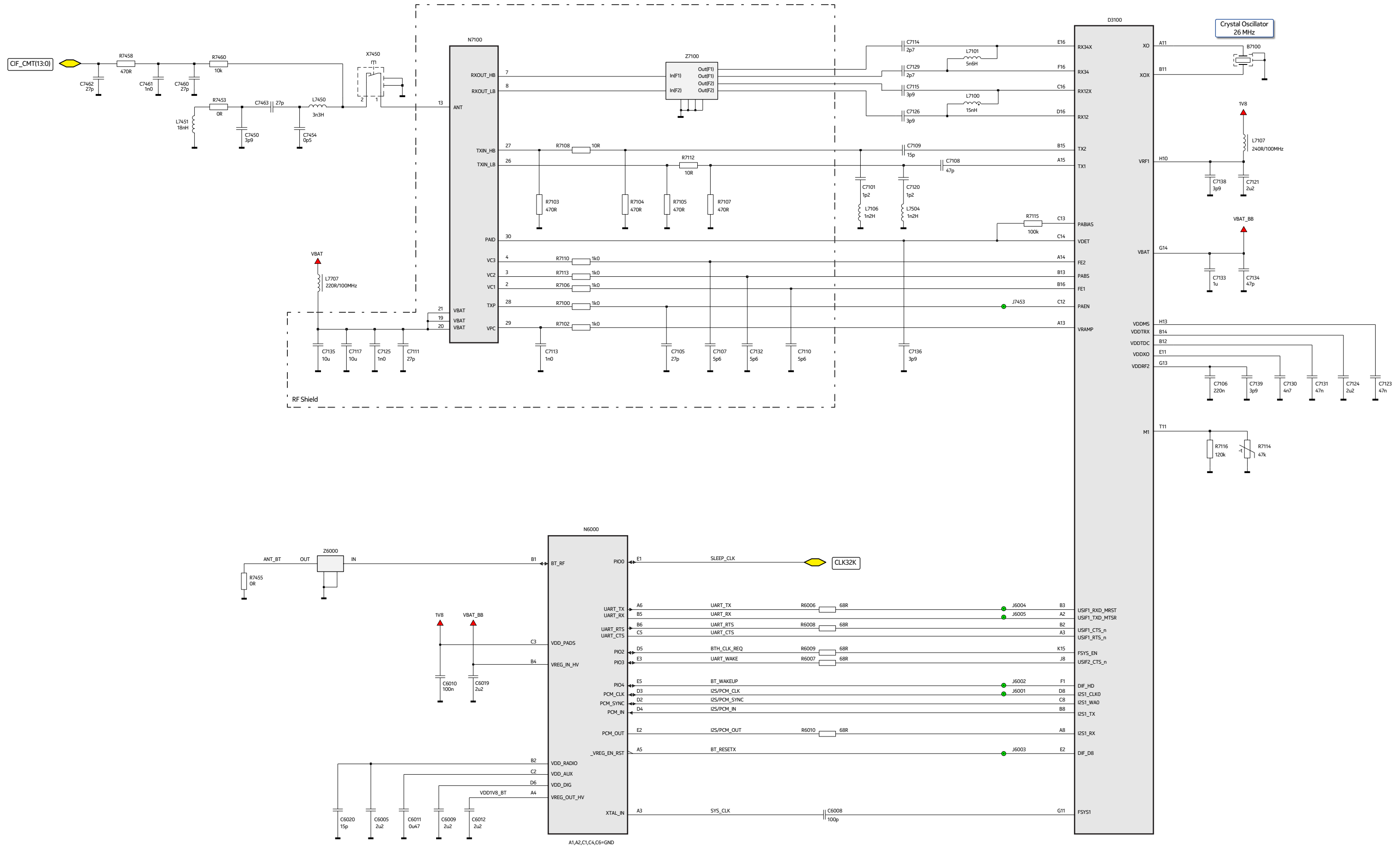
If you find any errors in the document please send email to: service.manuals@nokia.com

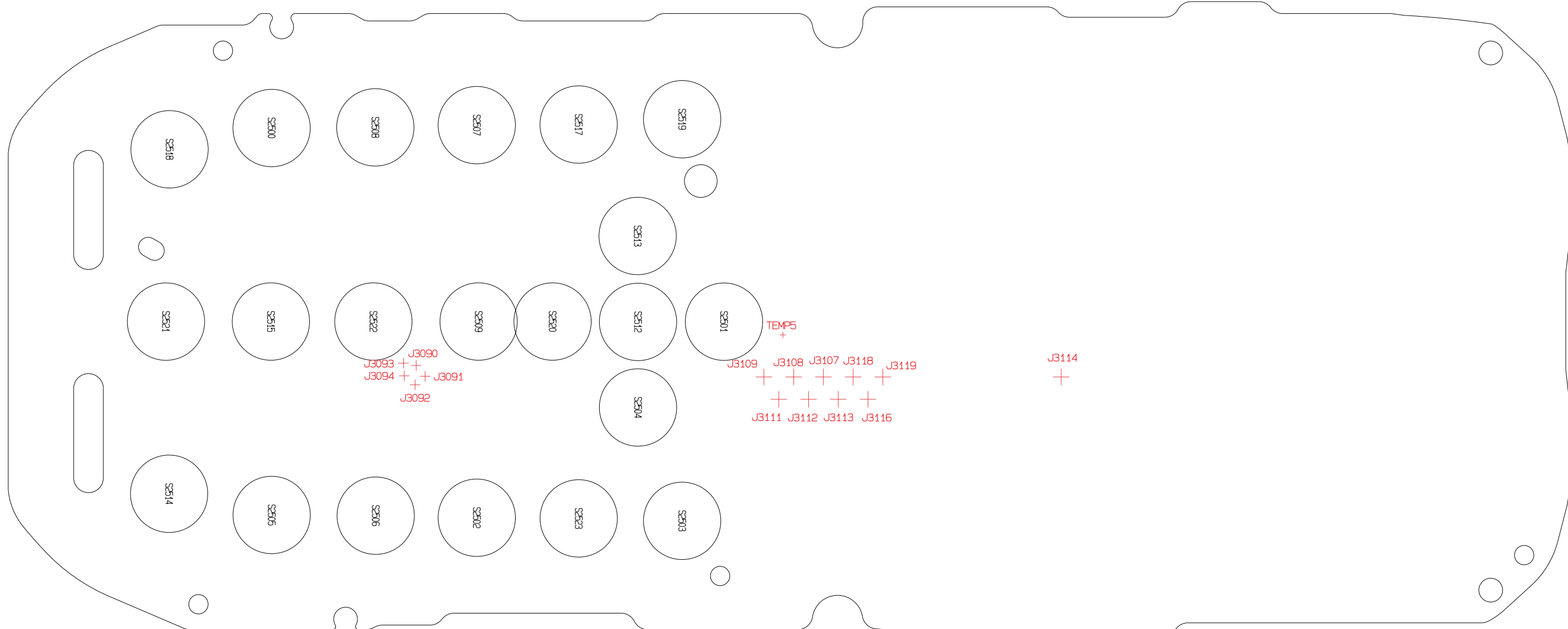
1.0 First approved version.

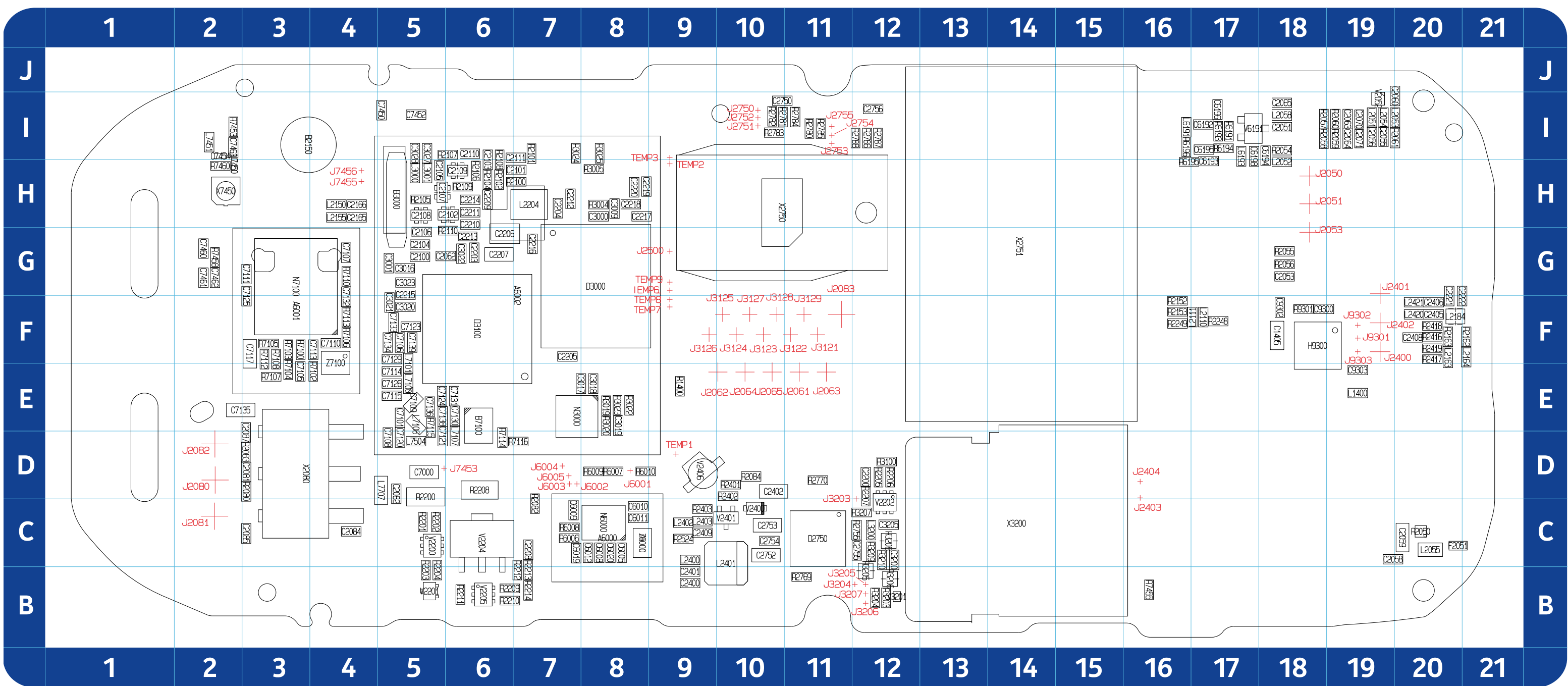
Contents

- 1 Front page
- 2 X-GOLD, Power, Camera, Dual SIM easy swap
- 3 X-GOLD, Memory, MMC, Audio
- 4 X-GOLD, Display, Keymat
- 5 X-GOLD, RF part, RF power, BTH
- 6 Component finder Top
- 7 Component finder Bottom









A	C2062	G6	C2106	G5	C2211	H6	C2408	F20	C3022	G6	C6195	I17	C7121	D5	C7460	G2	L2051	I19	L2403	C9	N3000	E7	R2084	D10	R2202	C5	R2403	C9	R2788	I12	R3210	C12	R7107	E3	V2202	C12	
A6000	C8	C2063	I19	C2107	H5	C2212	H7	C2409	C9	C3023	G5	C6196	I17	C7123	F5	C7461	G2	L2052	H18	L2420	F20	N6000	C8	R2100	H7	R2203	B5	R2416	F20	R3004	H8	R6006	C7	R7108	F3	V2204	C6
A6001	F3	C2064	I19	C2108	H5	C2213	G6	C2750	I10	C3027	I5	C6198	I17	C7124	E5	C7462	G2	L2053	I20	L2421	F20	N7100	G3	R2101	I7	R2204	B5	R2417	F20	R3005	H8	R6007	D8	R7110	G4	V2205	B6
A6002	F7	C2065	I18	C2109	H6	C2214	H6	C2752	C10	C3028	I5	C7000	D5	C7125	F3	C7463	I2	L2054	I19	L3000	H5	R	R2102	H6	R2205	D12	R2418	F20	R3019	E8	R6008	C7	R7112	F3	V2400	C10	
B	C2070	I19	C2110	I6	C2215	G5	C2753	C10	C3200	C12	C7101	E5	C7126	E5	C9300	F18	L2055	C20	L3001	H5	R1400	E9	R2104	H6	R2206	D12	R2419	F20	R3020	E8	R6009	D8	R7113	F4	V2401	C10	
B2150	I3	C2071	I19	C2111	I7	C2216	G7	C2754	C10	C3205	C12	C7105	E3	C7129	F5	C9302	F18	L2058	I18	L3200	C12	R2050	C20	R2105	H5	R2207	D12	R2524	C9	R3022	E8	R6010	D8	R7114	D6	V2406	D9
B3000	H5	C2081	D3	C2165	H4	C2217	H8	C2755	C12	C6005	C8	C7106	F5	C7130	E6	D	L2111	F17	L6193	I17	R2055	G18	R2107	I6	R2209	B6	R2769	B11	R3024	I7	R6193	I17	R7116	D7	V6191	I17	
C	C2084	C4	C2200	D12	C2219	H8	C3000	H8	C6009	C7	C7108	D5	C7132	F4	D2750	C11	L2150	H4	L7100	E5	R2056	G18	R2108	H6	R2210	B6	R2770	D11	R3025	I8	R6194	I17	R7453	I2	X		
C1405	F18	C2085	C3	C2203	G6	C2220	H8	C3001	G5	C6010	C8	C7109	E5	C7133	F5	D3000	G8	L2155	H4	L7101	E5	R2057	I18	R2109	H6	R2211	B6	R2780	I11	R3100	D12	R6195	H16	R7455	B16	X2080	D3
C2051	I18	C2087	D3	C2204	H7	C2221	F20	C3009	H8	C6011	C8	C7110	F4	C7134	F5	D3100	F6	L2163	F20	L7106	E5	R2058	I18	R2110	G6	R2212	B7	R2781	I10	R3203	B12	R6196	I16	R7458	G2	X2750	H10
C2053	G18	C2100	G5	C2205	F7	C2222	F21	C3016	G5	C6012	C8	C7111	G3	C7135	E2	F	L2164	F21	L7107	D6	R2059	I19	R2152	F16	R2213	B7	R2782	I10	R3204	B12	R7100	F3	R7460	H2	X2751	H14	
C2055	I19	C2101	H7	C2206	G6	C2400	B9	C3017	E8	C6019	C7	C7113	F4	C7136	E5	F2051	C20	L2184	F20	L7450	H2	R2060	I19	R2153	F16	R2214	B7	R2783	I10	R3205	B12	R7102	E4	R9301	F18	X3200	C14
C2056	I19	C2102	H6	C2207	G6	C2401	B9	C3018	E8	C6020	C8	C7114	E5	C7138	E5	H	L2204	H7	L7451	I2	R2061	I20	R2162	F21	R2248	F17	R2784	I11	R3206	B12	R7103	F3	V		X7450	H2	
C2058	C19	C2103	H6	C2208	C7	C2402	D10	C3019	E8	C6192	I17	C7115	E5	C7139	F5	H9300	F18	L2400	C9	L7504	D5	R2080	D3	R2163	F20	R2249	F16	R2785	I11	R3207	C12	R7104	E3	V2052	I19	Z	
C2059	C20	C2104	G5	C2209	H6	C2405	F20	C3020	F5	C6193	H17	C7117	F3	C7450	I5	L	L2401	C10	L7707	D5	R2082	C7	R2200	D5	R2401	D10	R2786	I12	R3208	C12	R7105	F3	V2200	C5	Z6000	C8	
C2060	I20	C2105	H5	C2210	H6	C2406	F20	C3021	F5	C6194	I18	C7120	D5	C7452	I5	L1400	E19	L2402	C9	N	R2083	D3	R2201	C5	R2402	D10	R2787	I12	R3209	C12	R7106	F4	V2201	B5	Z7100	F4	