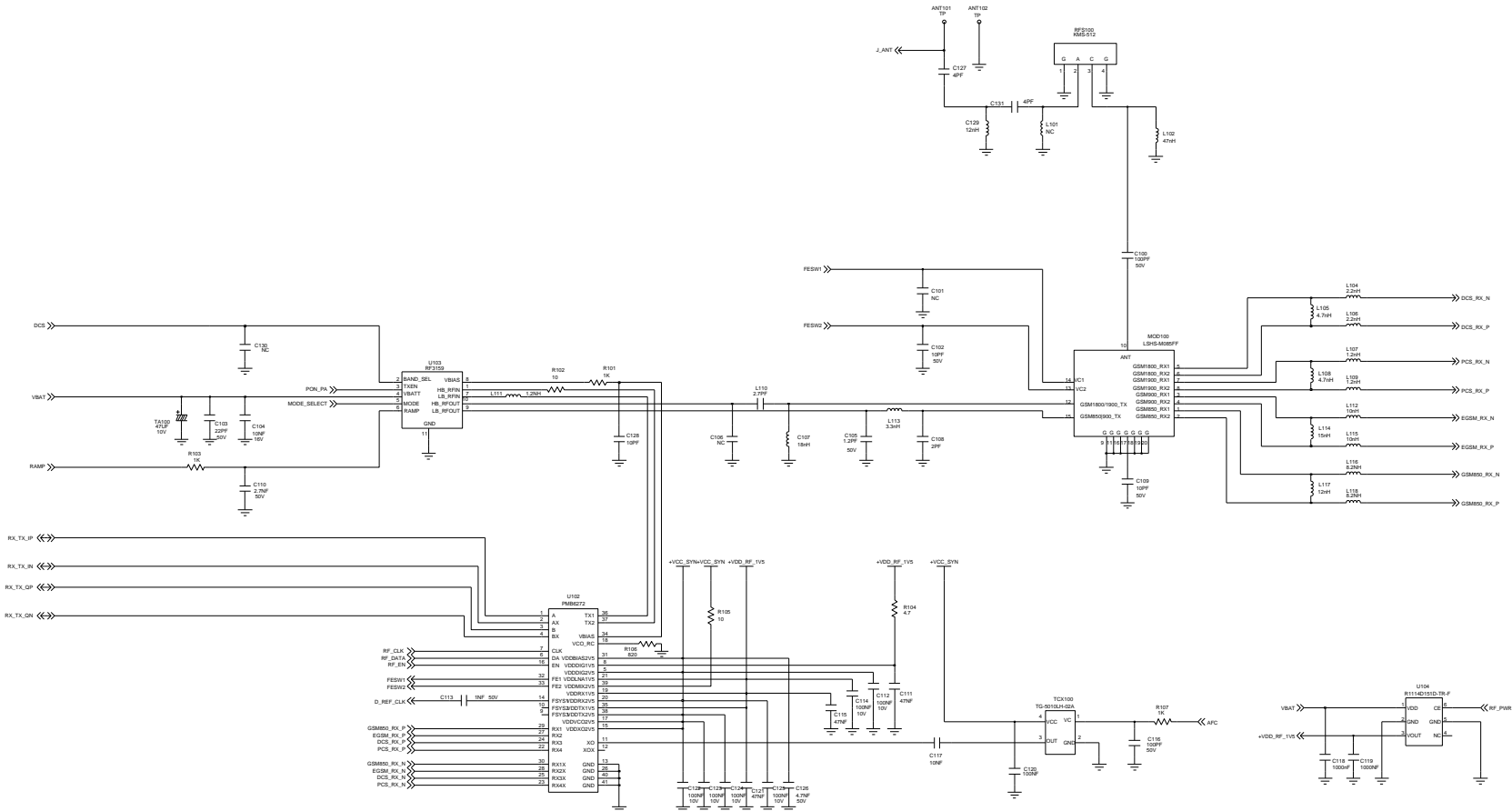
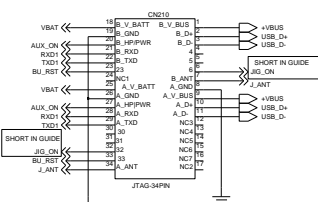
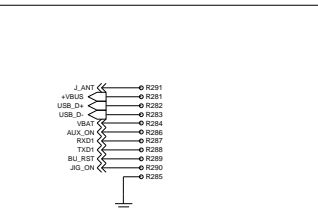
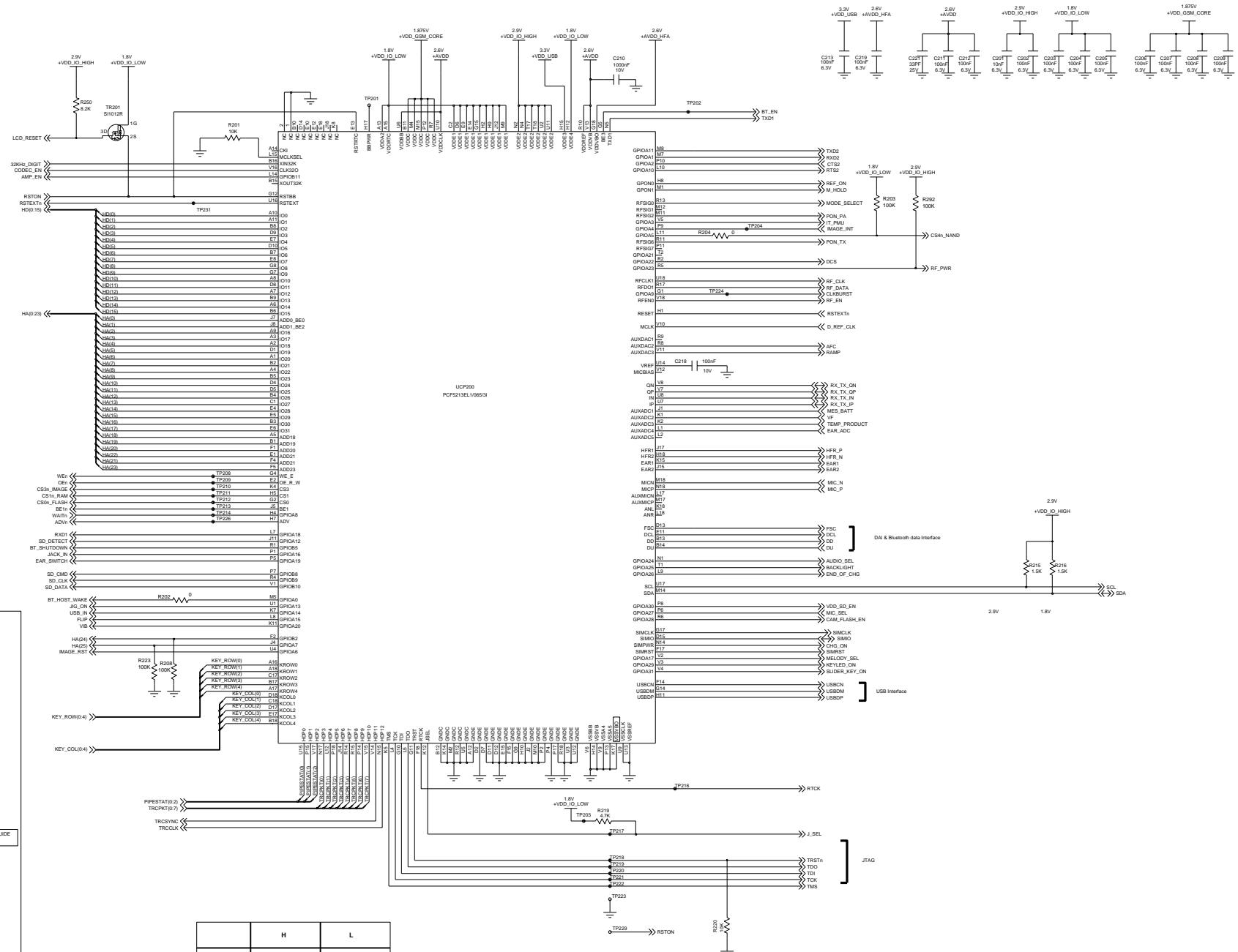


GSM ANTENNA

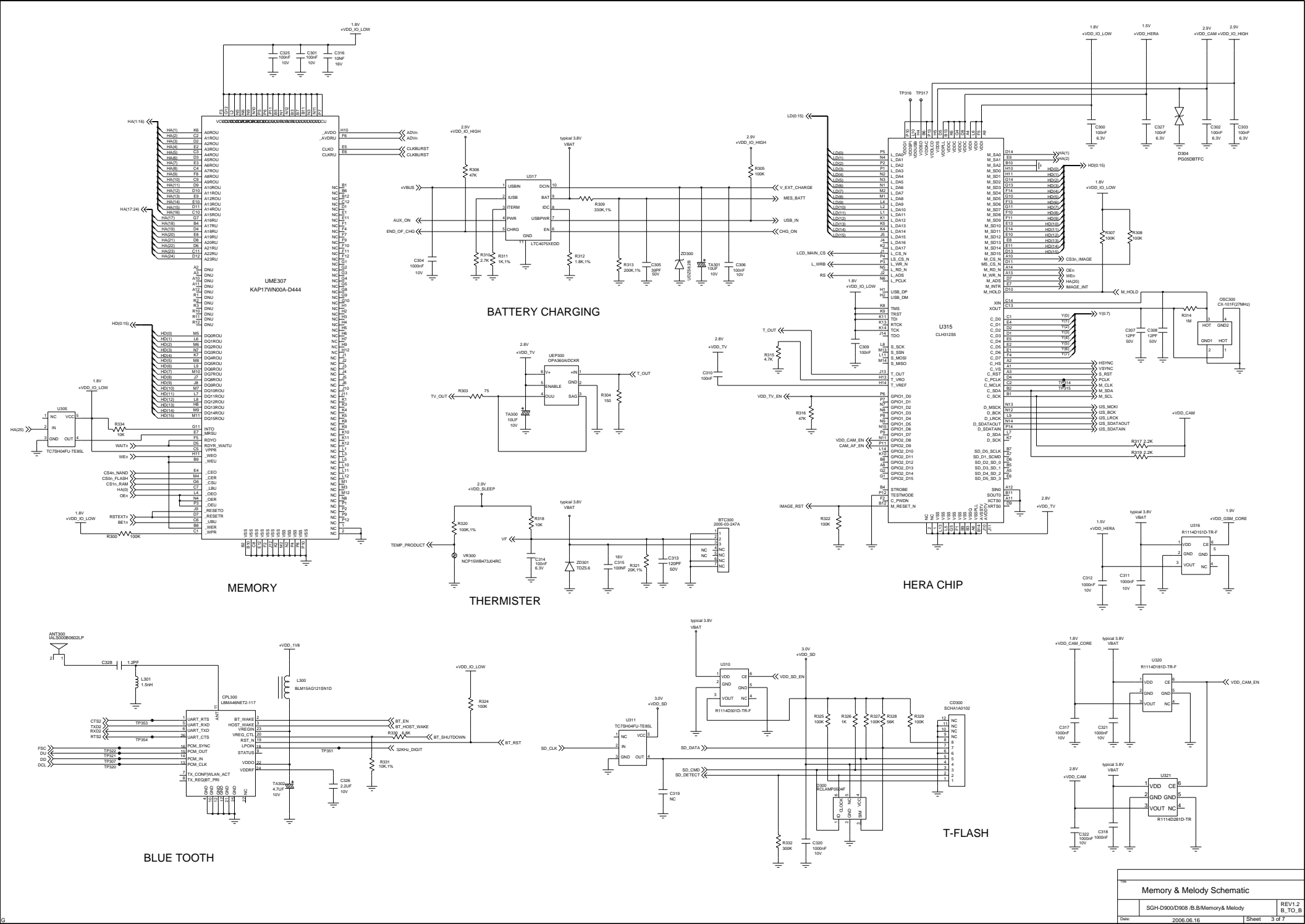


	VCI	VCC
Tx(GSM850/900)	H	L
Tx(DCS1800/1900)	L	H
Rx(850/900/1800/1900)	L	L



J-TAG 34 PINS

	H	L
J_SEL	ARM9	DSP
TRST	TRACE	NORMAL



UM307
KAP17WN00A-D444

BATTERY CHARGING

THERMISTER

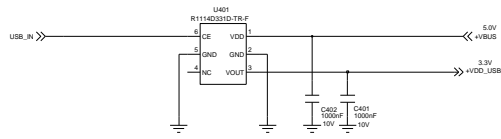
HERA CHIP

MEMORY

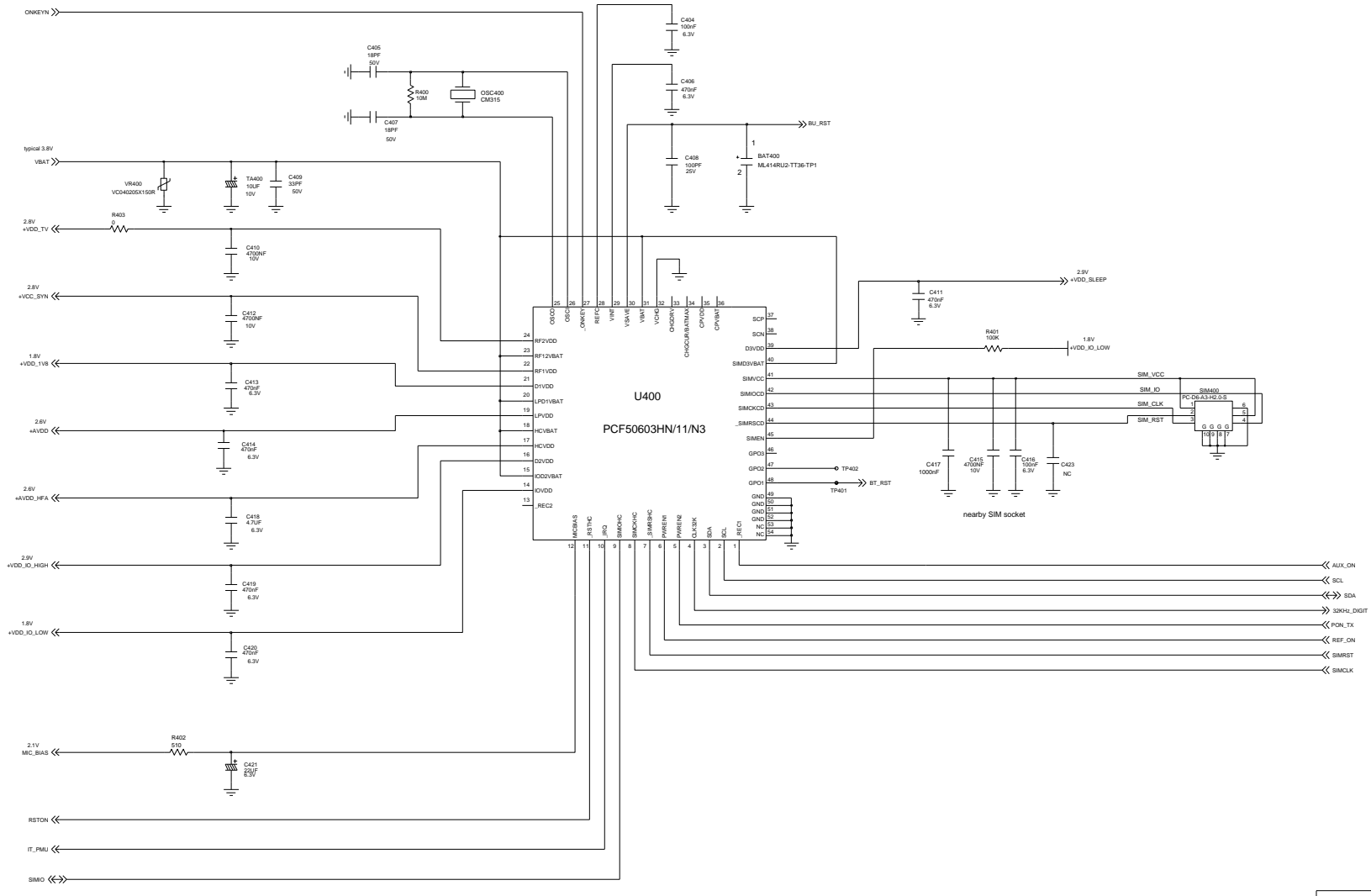
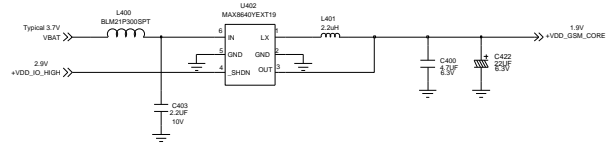
BLUE TOOTH

T-FLASH

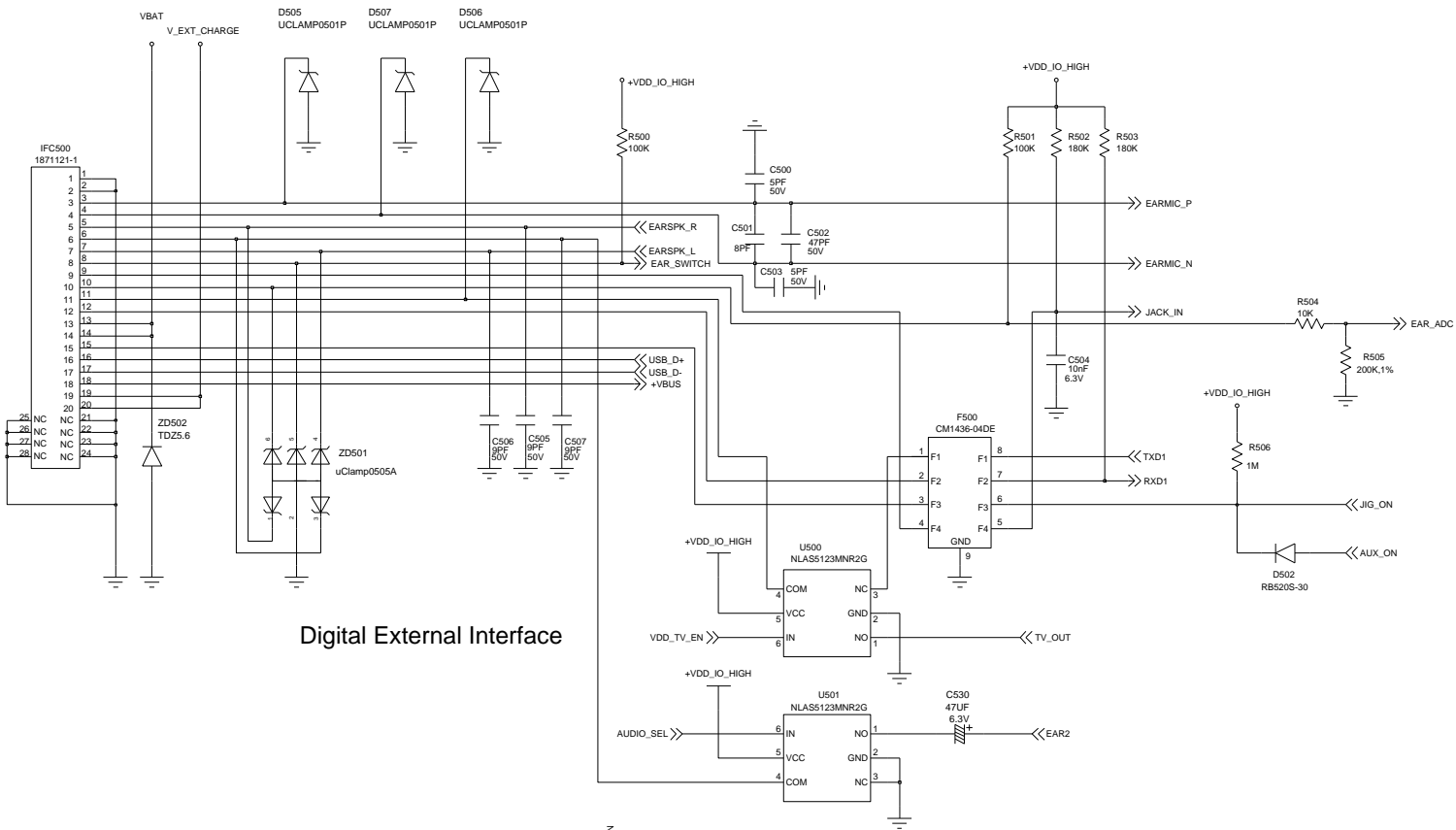
LDO



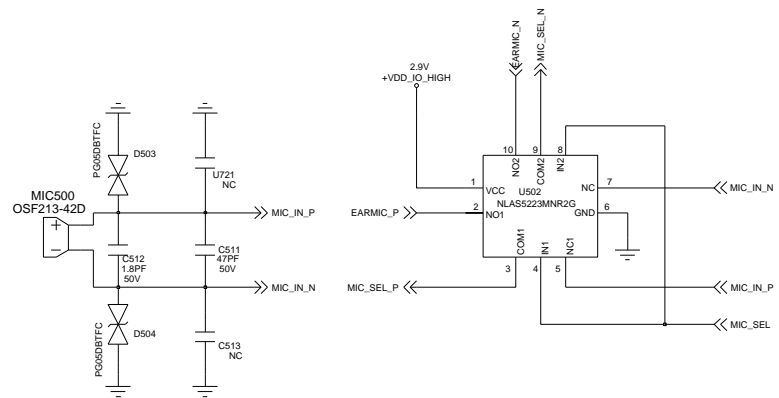
DC/DC Down Converter(1.9Volt)



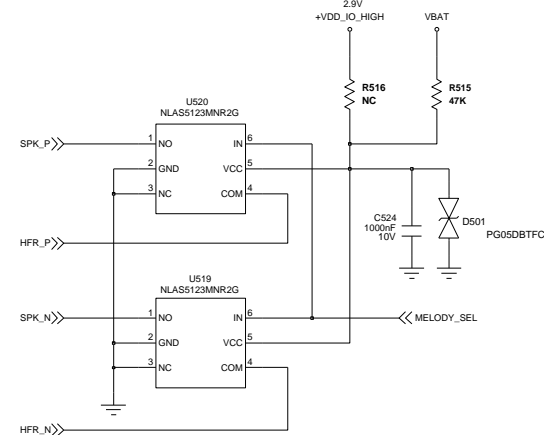
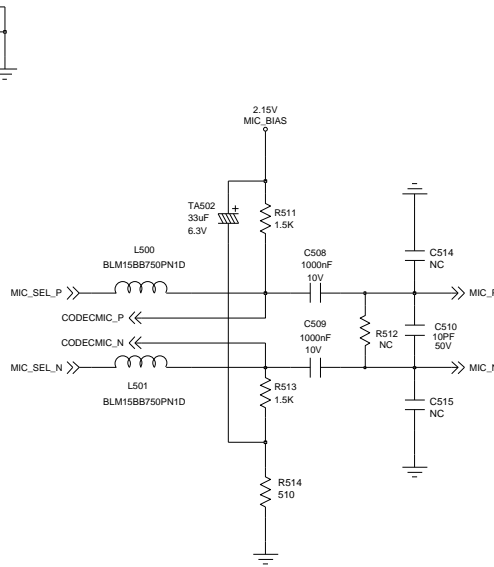
+VDD_IO_HIGH	2.9V
+VDD_IO_LOW	1.8V
+VDD_RX_TX	2.8V
+VCC_SYN	2.8V
+AVDD	2.6V
+VDD_HFA	2.6V
MIC_BIAS	2.1V
VDD_119	1.8V
+VDD_GSM_CORE	1.95V
VDD_CAM	2.9V



Digital External Interface



MICROWIRE



Title		
IF Connector & Charging Schematic		
Size	Document Number	REV 1.2
A3	SGH-D900/D+908 /B.B/IF & CHARGING	B_TO_B
Date:	2006.06.16	Sheet 5 of 7

