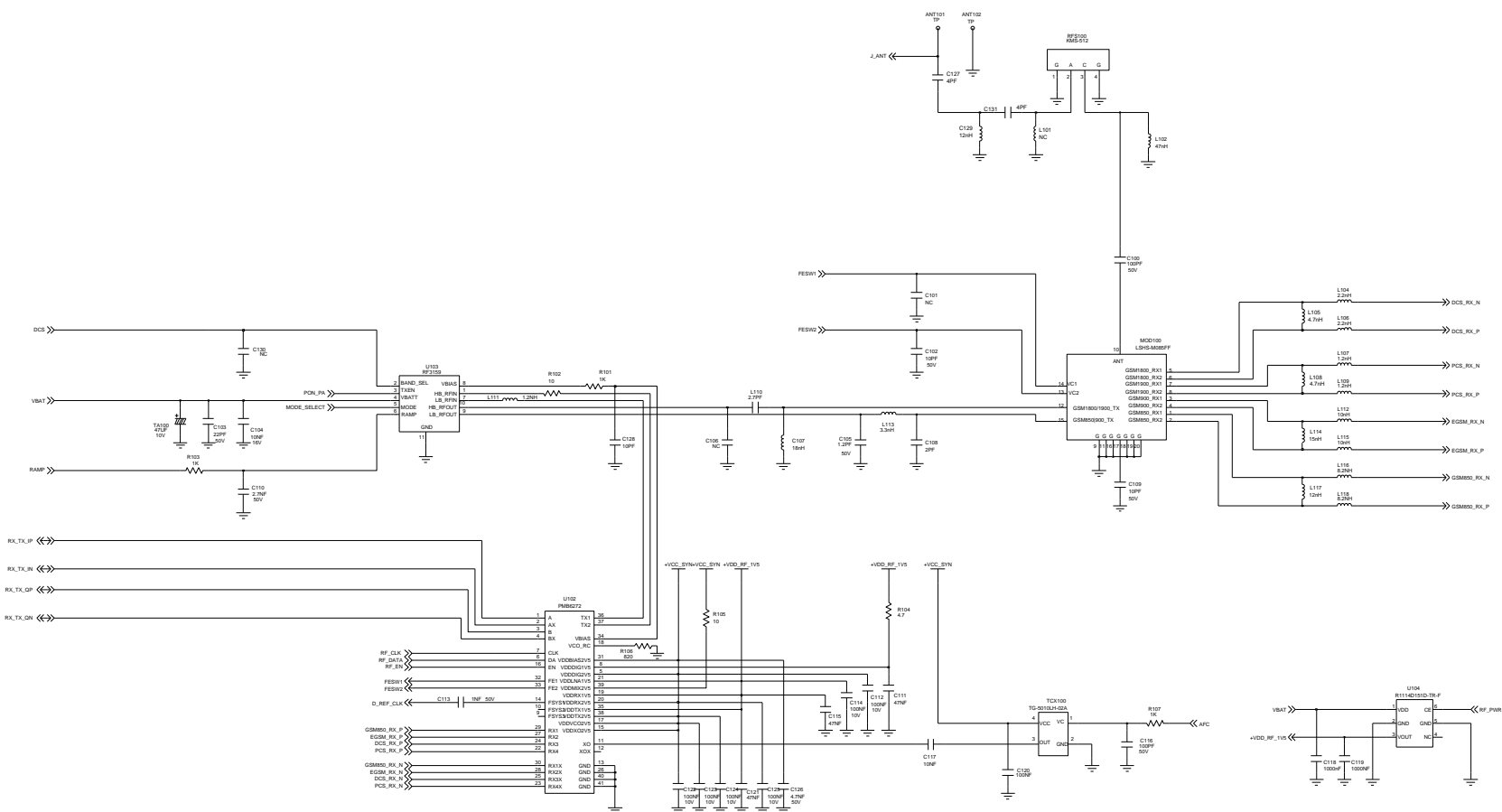
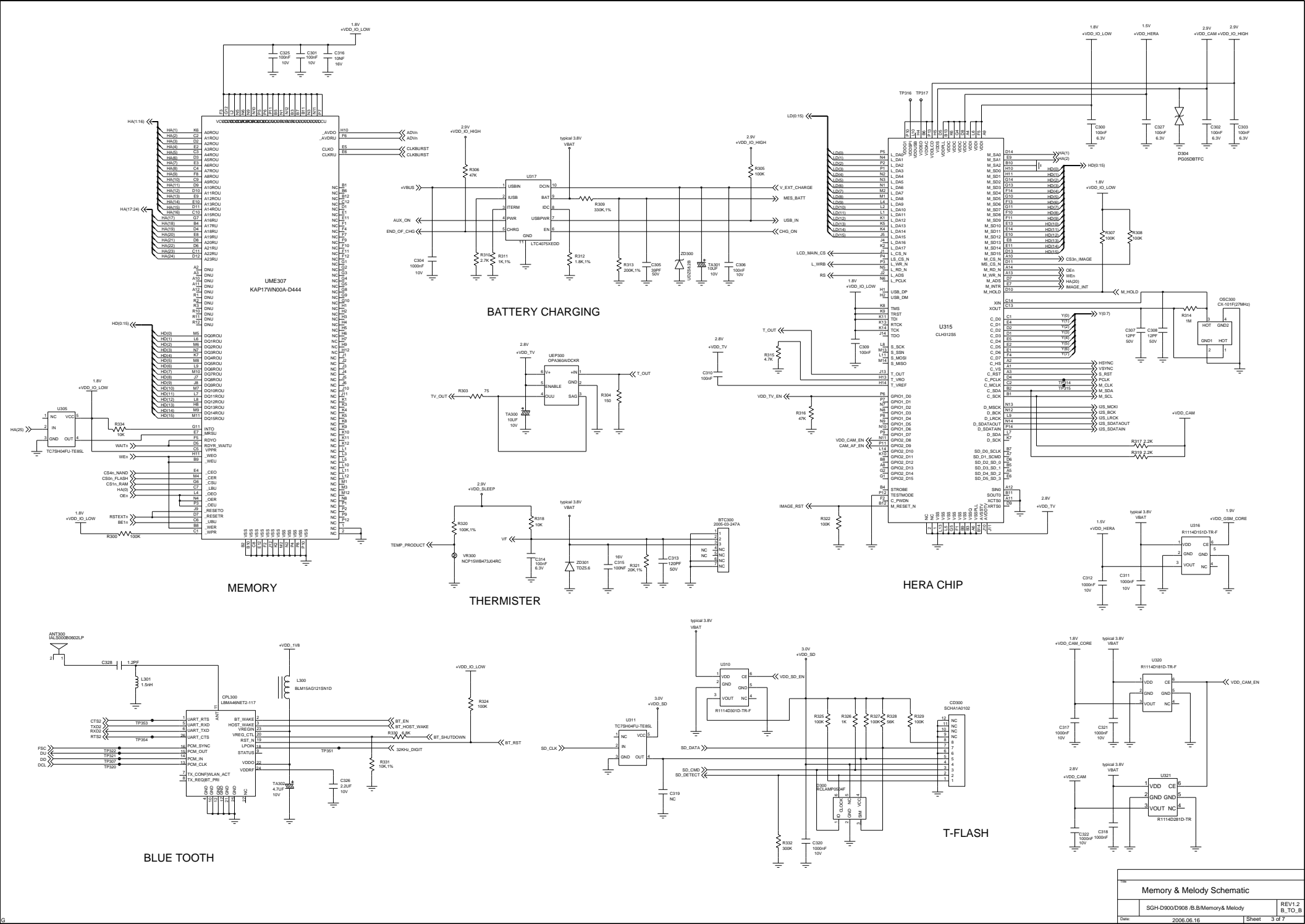


GSM ANTENNA



	VCI	VCC
Tx(GSM850/900)	H	L
Tx(DCS1800/1900)	L	H
Rx(850/900/1800/1900)	L	L





UM307  
KAP17WN00A-D444

**BATTERY CHARGING**

**THERMIST**

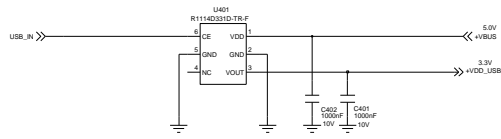
**HERA CHIP**

**MEMORY**

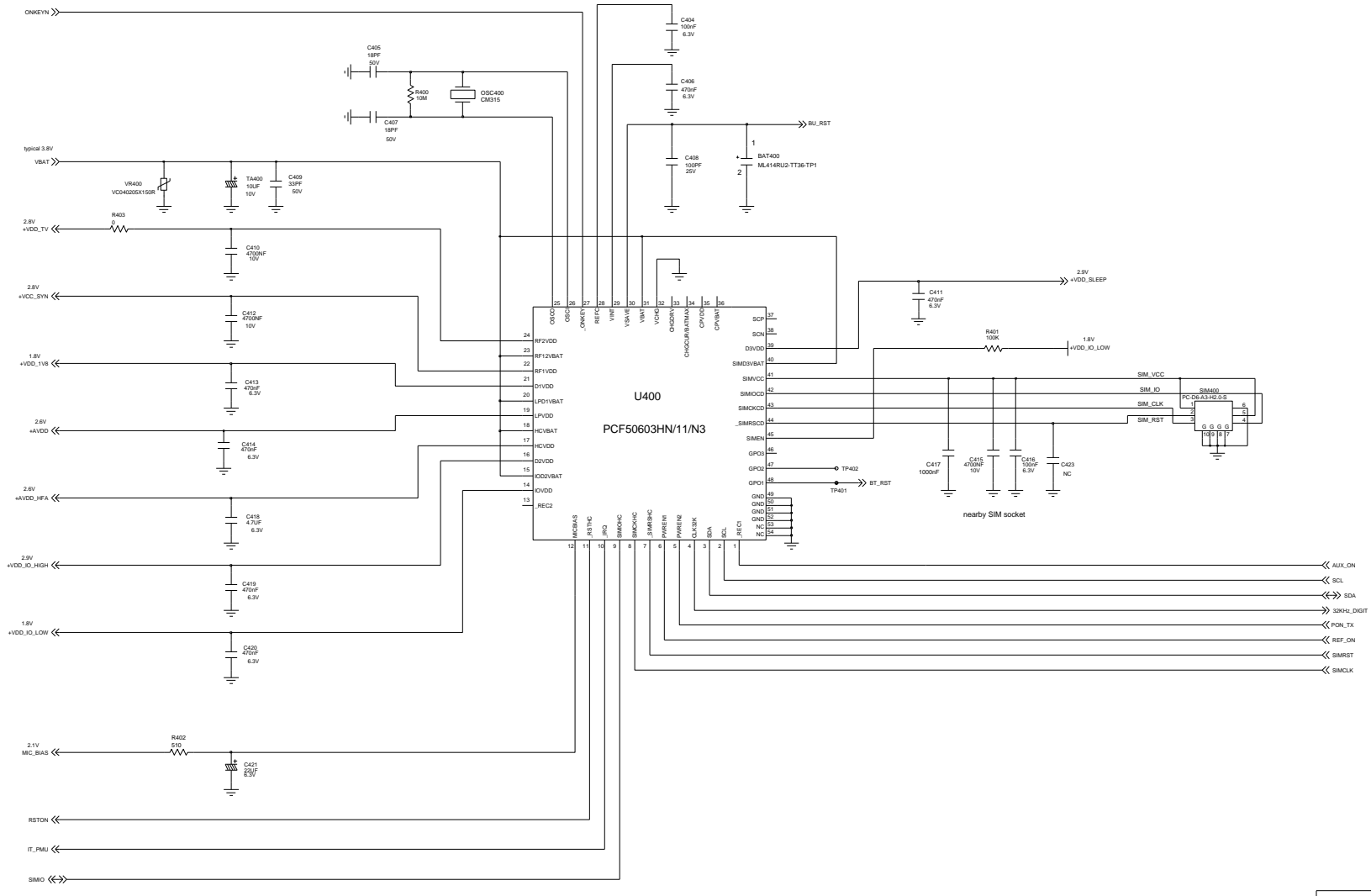
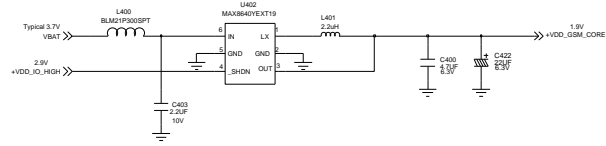
**BLUE TOOTH**

**T-FLASH**

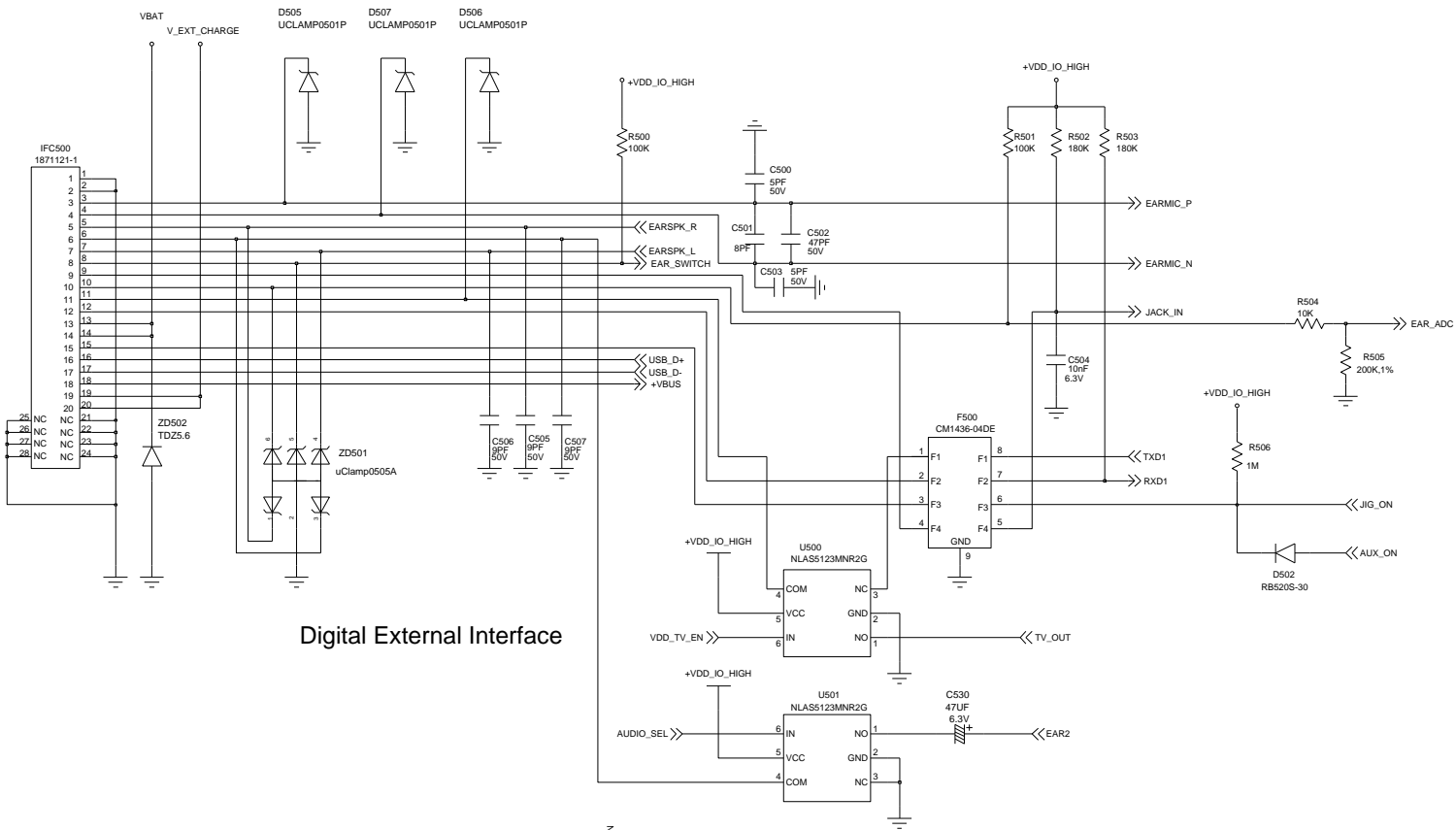
# LDO



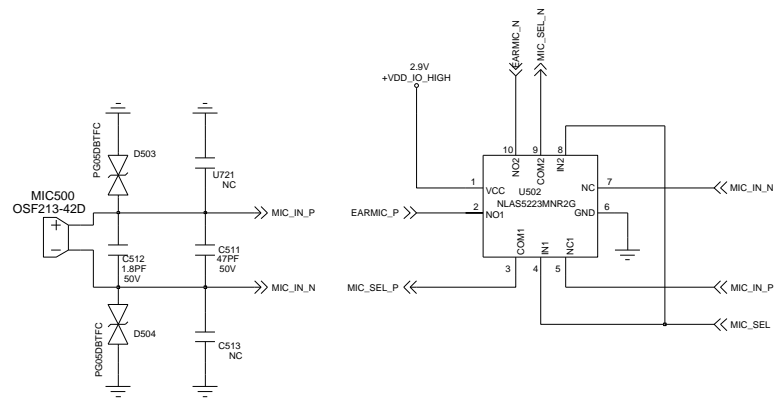
# DC/DC Down Converter(1.9Volt)



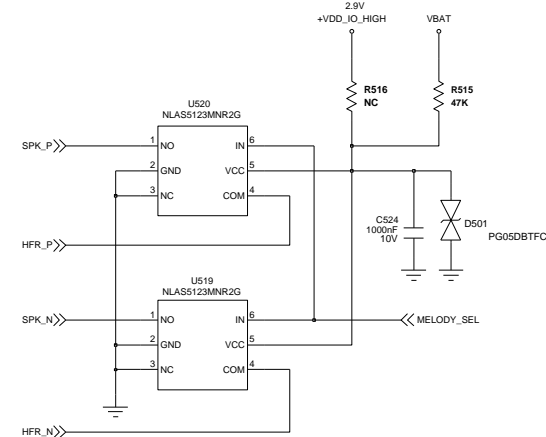
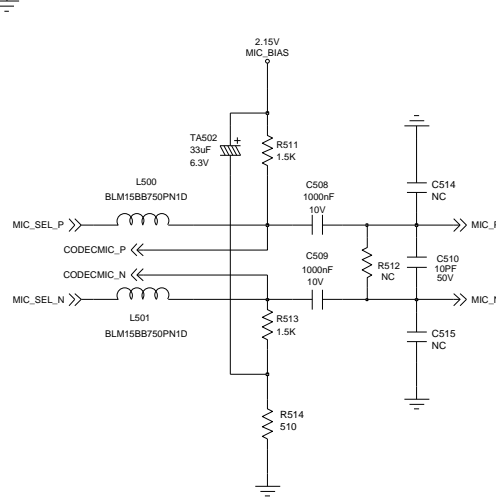
+VDD_IO_HIGH	2.9V
+VDD_IO_LOW	1.8V
+VDD_RX_TX	2.8V
+VCC_SYN	2.8V
+VDD	2.8V
+VDD_HFA	2.8V
MIC_BIAS	2.1V
VDD_1V8	1.8V
+VDD_GSM_CORE	1.925V
VDD_CAM	2.9V



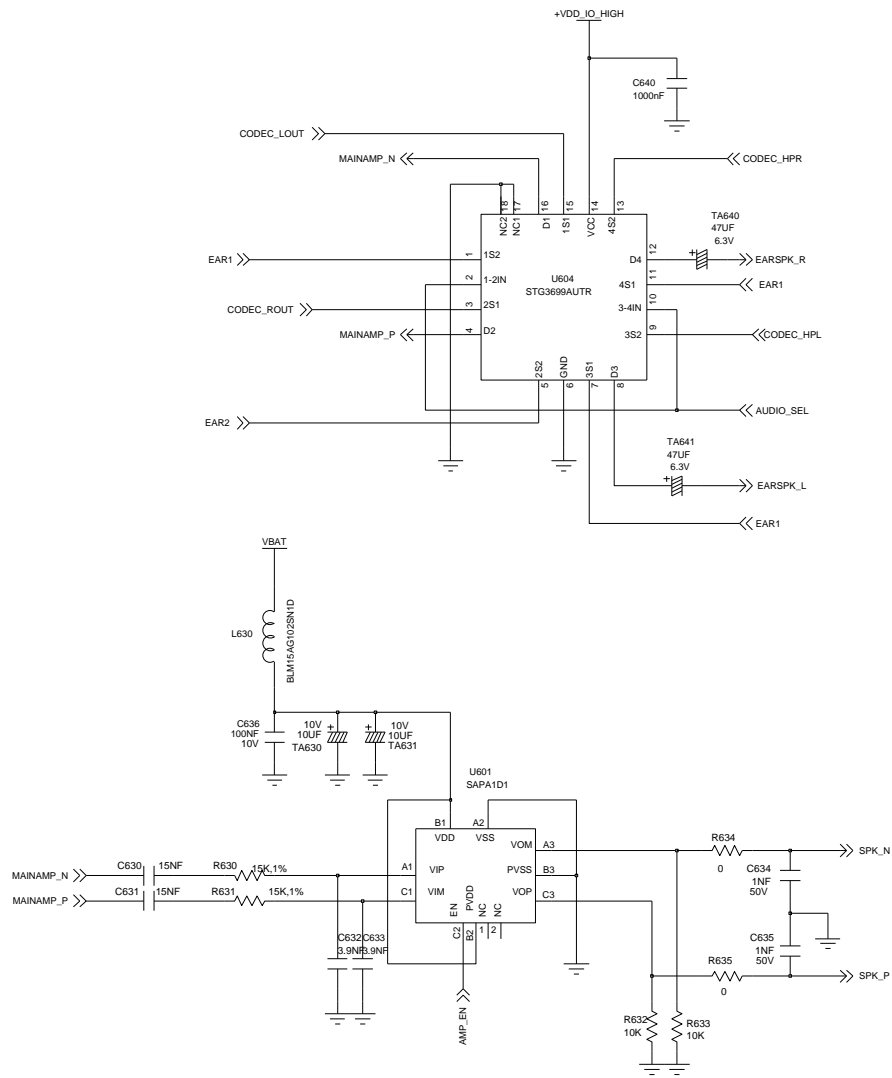
Digital External Interface



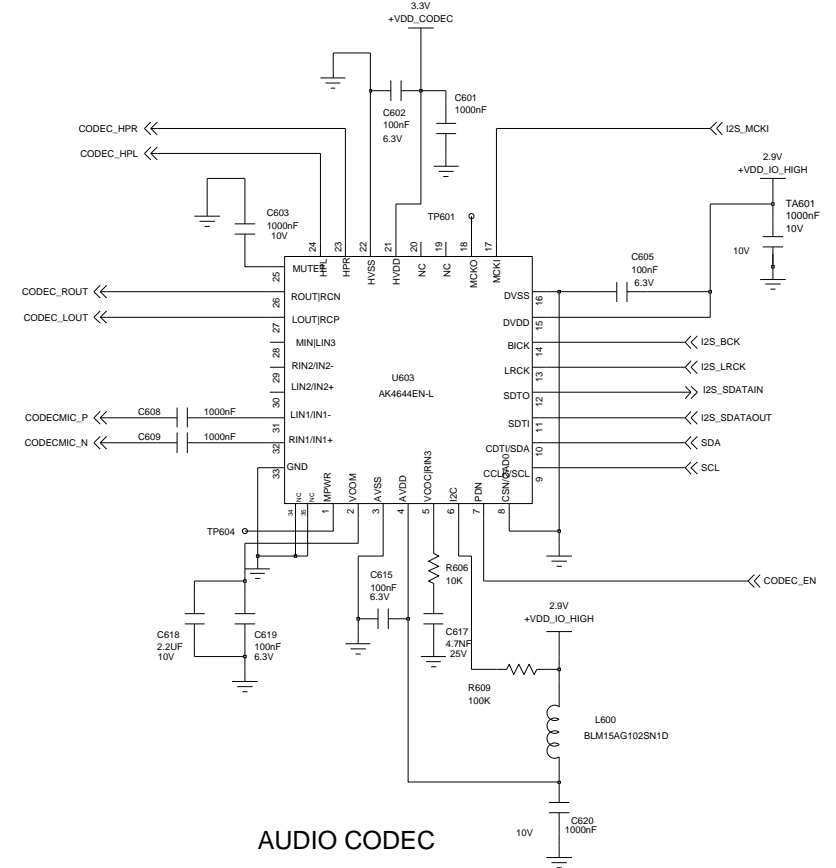
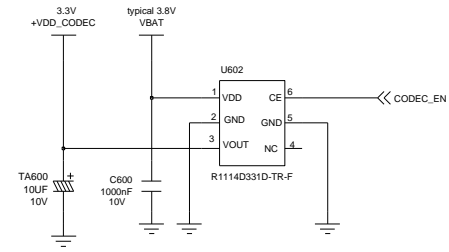
MICROWIRE



Title		
IF Connector & Charging Schematic		
Size	Document Number	REV 1.2
A3	SGH-D900/D+908 /B.B/IF & CHARGING	B_TO_B
Date:	2006.06.16	Sheet 5 of 7

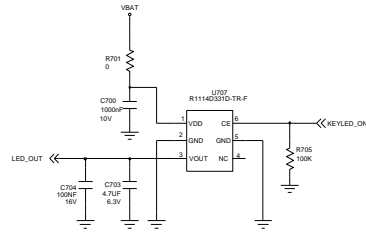


# AUDIO AMP

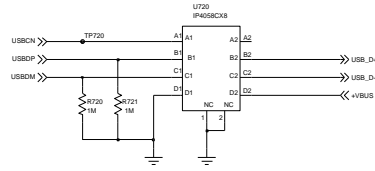


# AUDIO CODEC

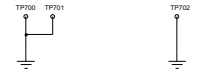
Title		
<b>Audio &amp; KEY Schematic</b>		
Document Number	SAMSUNG/SGH-D900/D908 /B.B./Audio & KEY	
Date:	2006.06.16	Sheet 6 of 7
		REV 1.2 B_TO_B



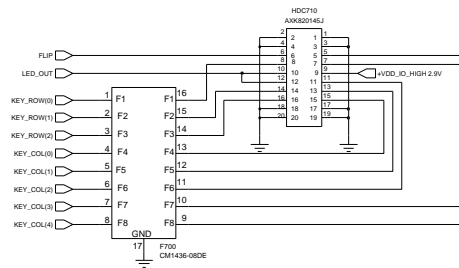
LED



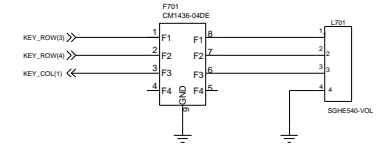
USB INTERFACE



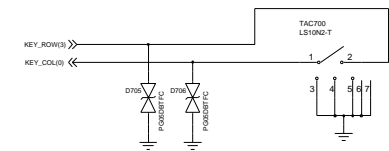
PCB\_HOLE



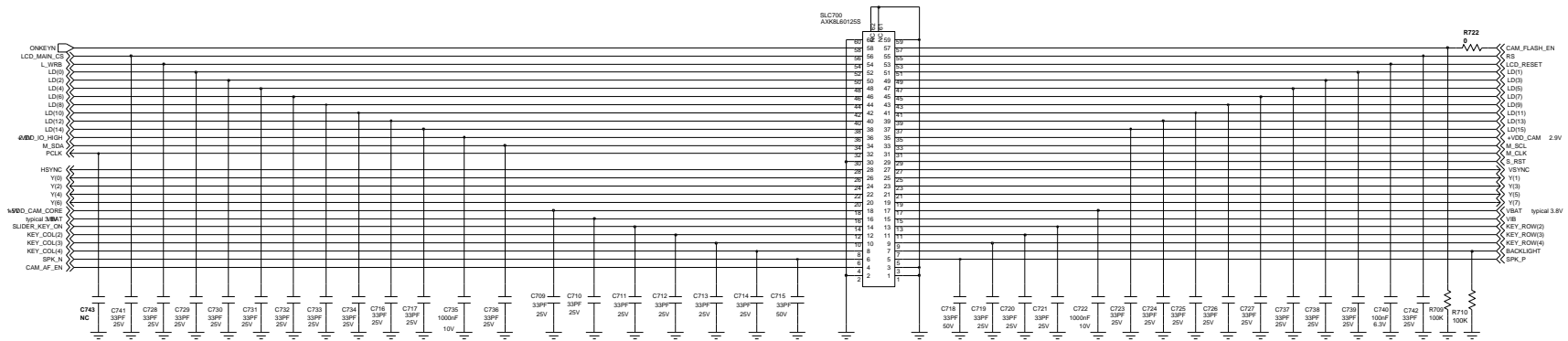
KEY\_CONNECTOR



VOLUME KEY



CAMERA\_KEY



LCD\_CONNECTOR

CN210

- R291
- R282
- R283
- R287
- R290
- R285
- R289
- R288
- R286
- R284
- R281

