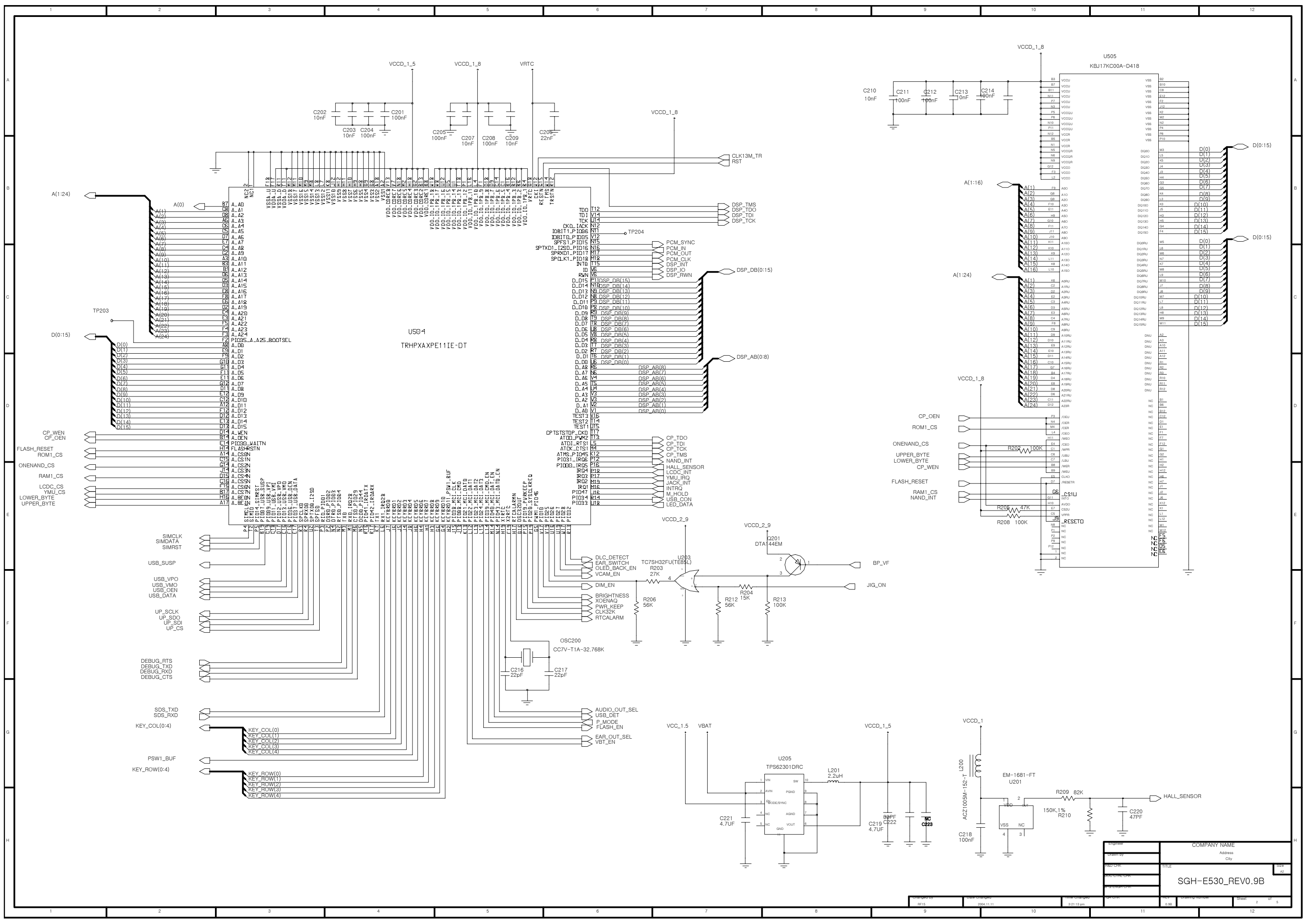
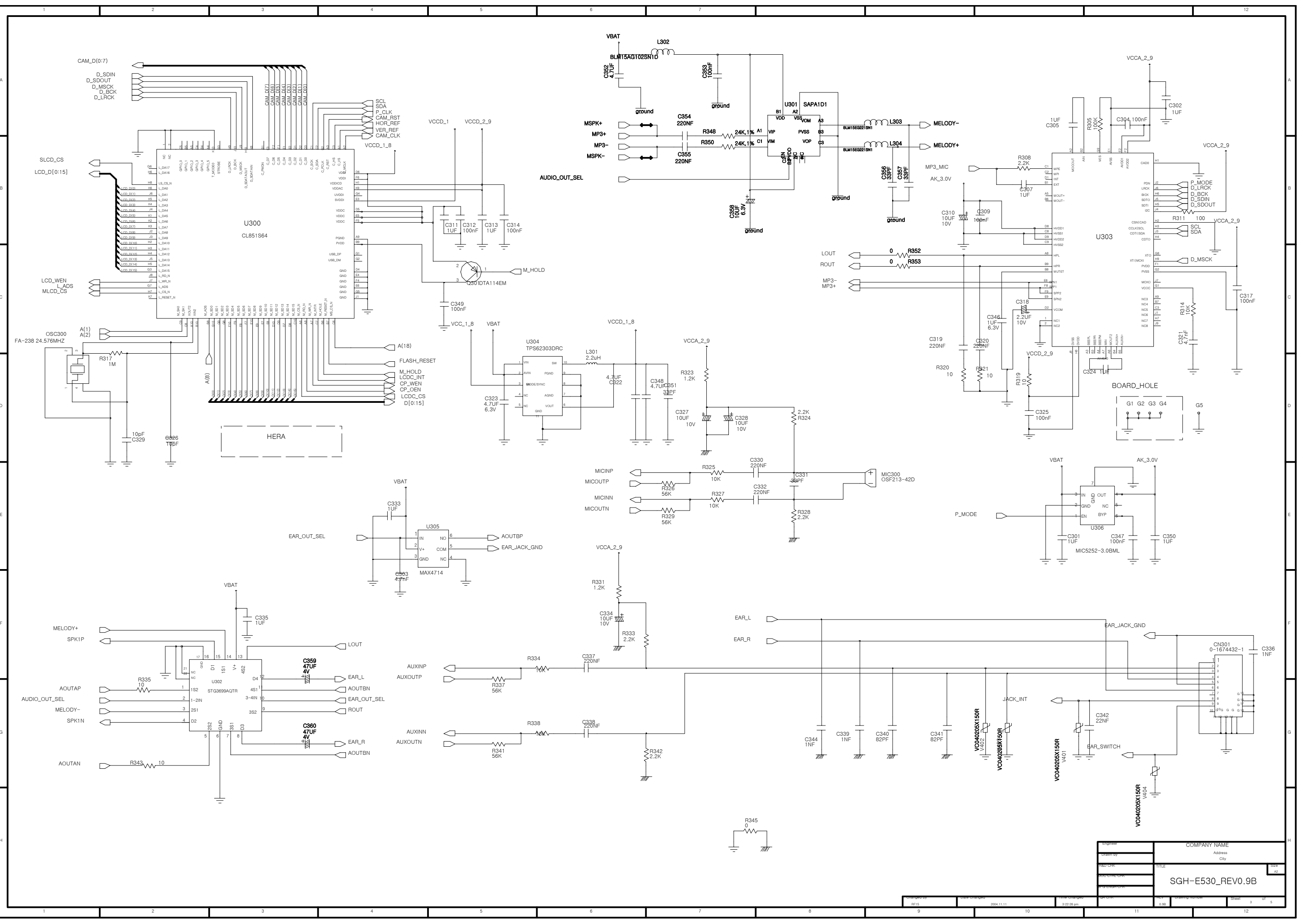


BLUETOOTH

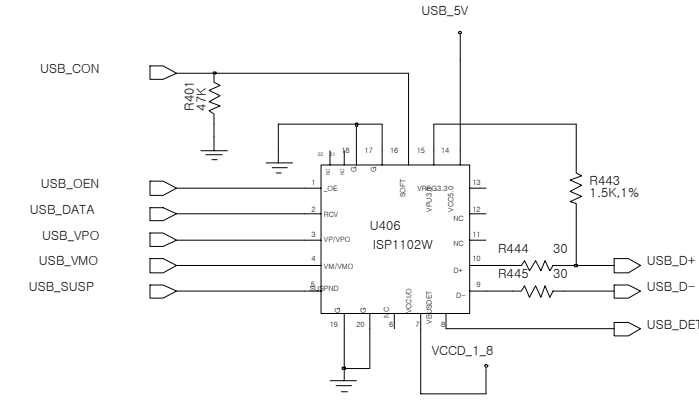
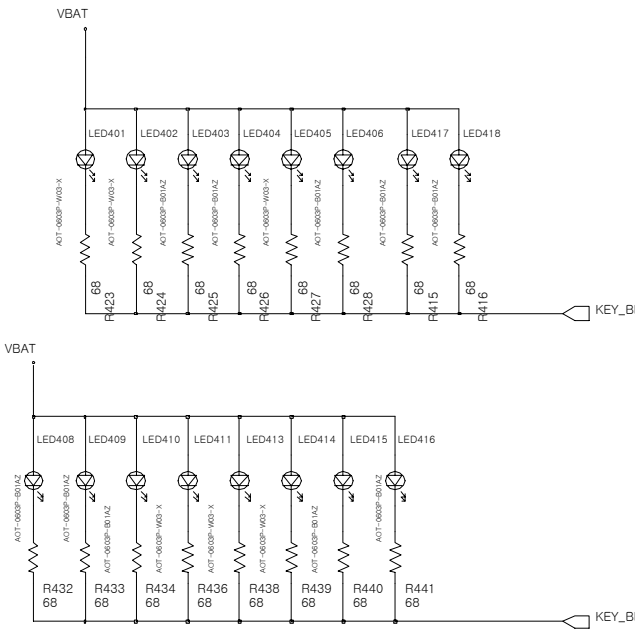
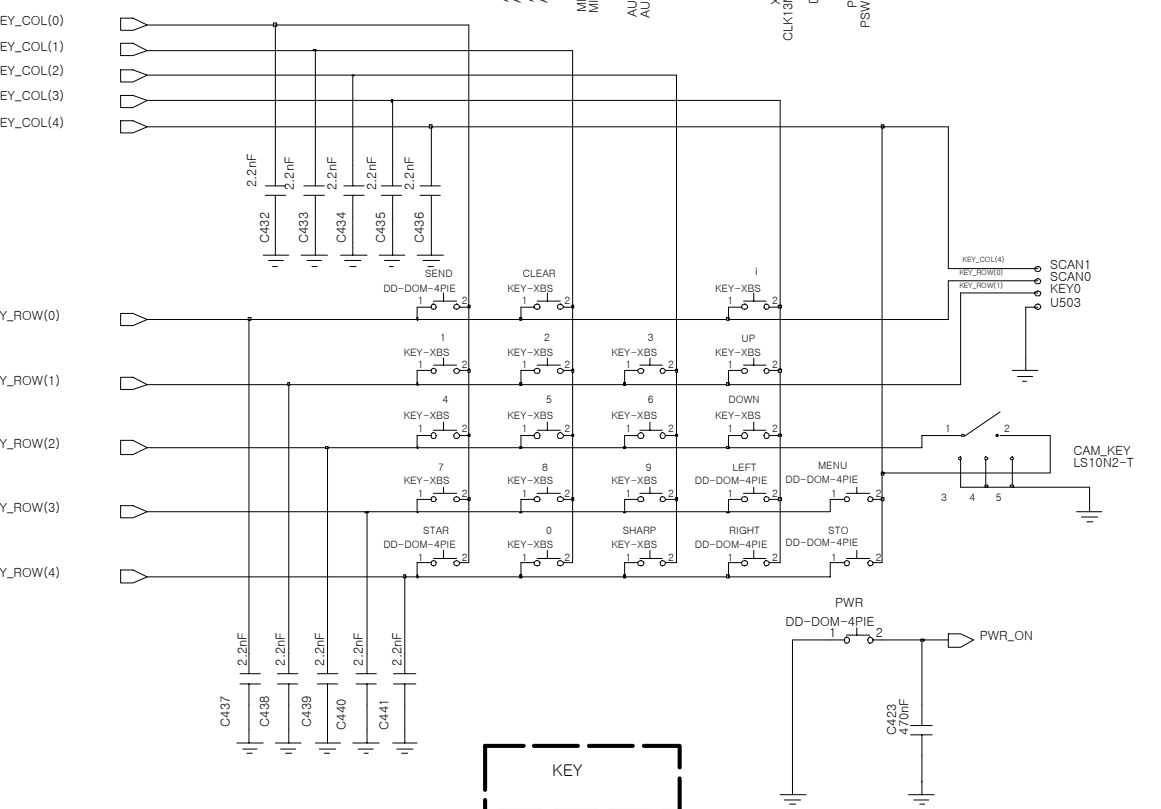
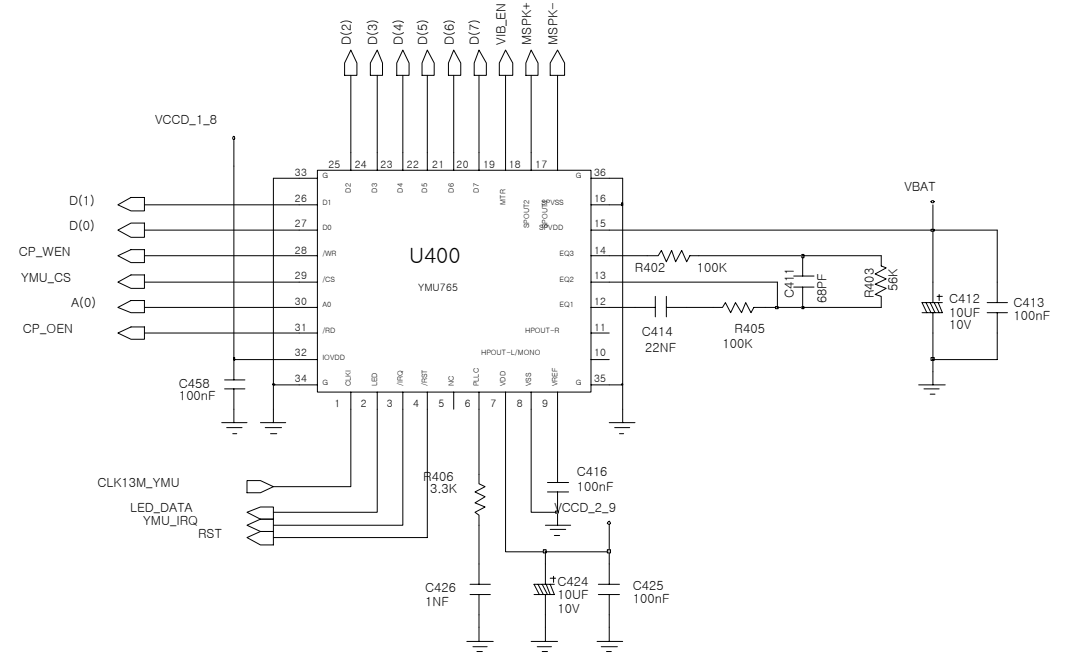
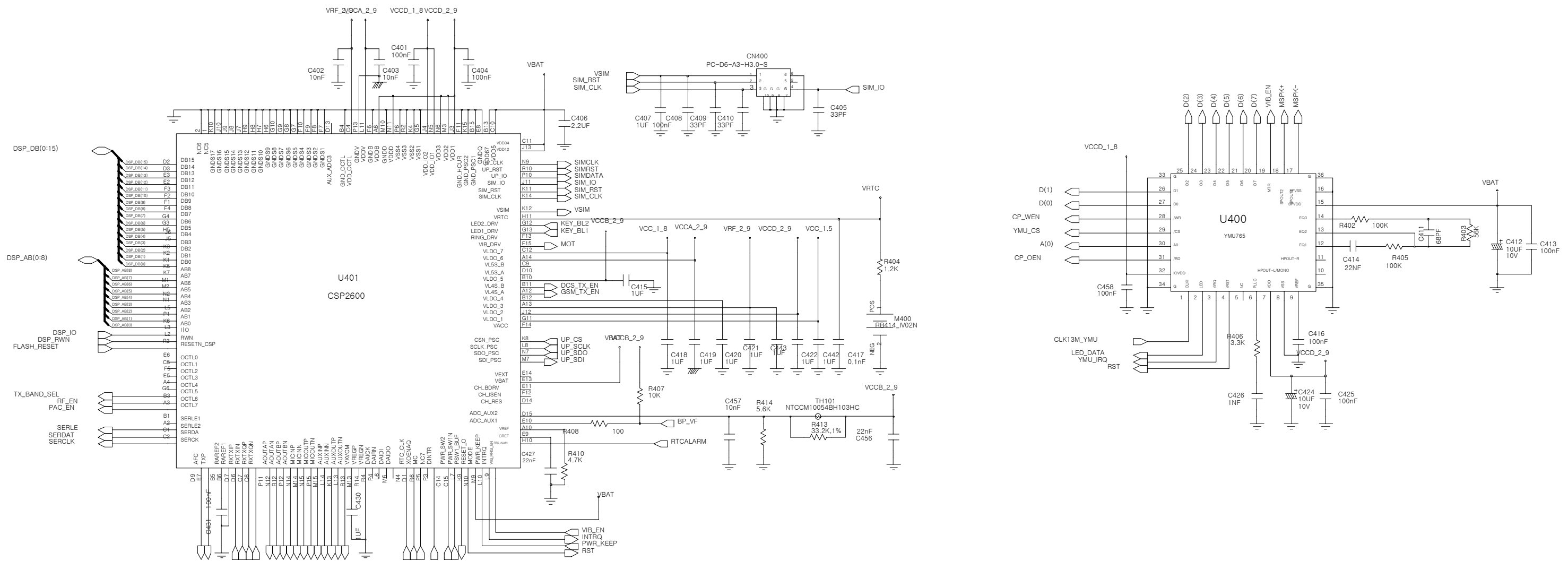
Engineer	COMPANY NAME
Drawn by	Address
RFI/CHK	City
RFI/CHK/CHK	TITLE
RFI/CHK/CHK	SGH-E530_REV0.9B
RFI/CHK/CHK	Size A3



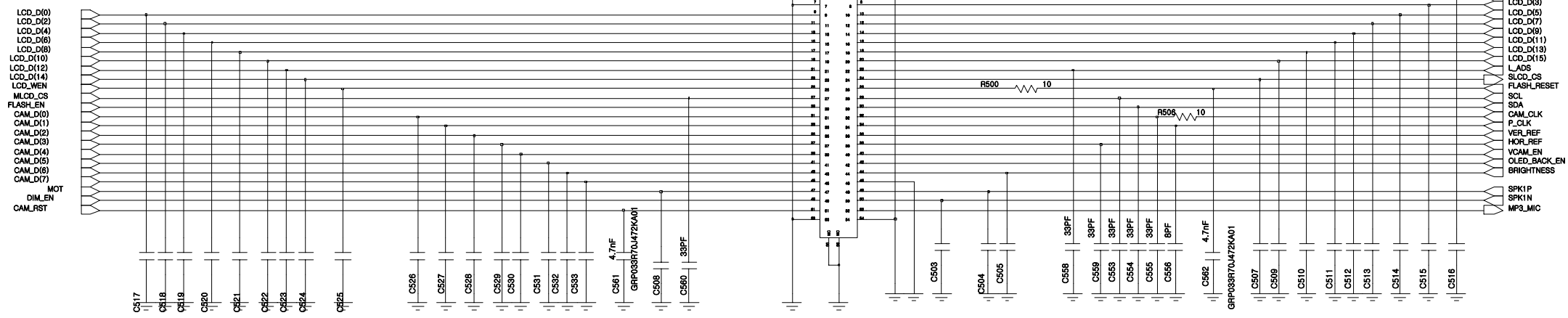
COMPANY NAME		Address	City
DESIGNED BY	TITLE	DATE	REV
SGH-E530_REV0.9B			



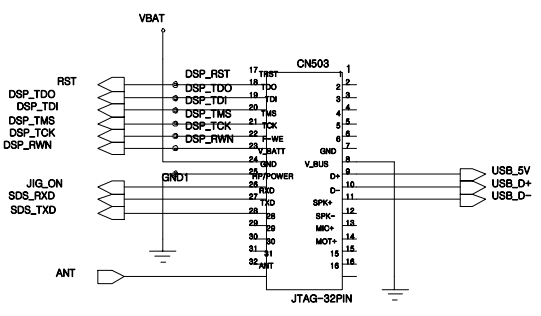
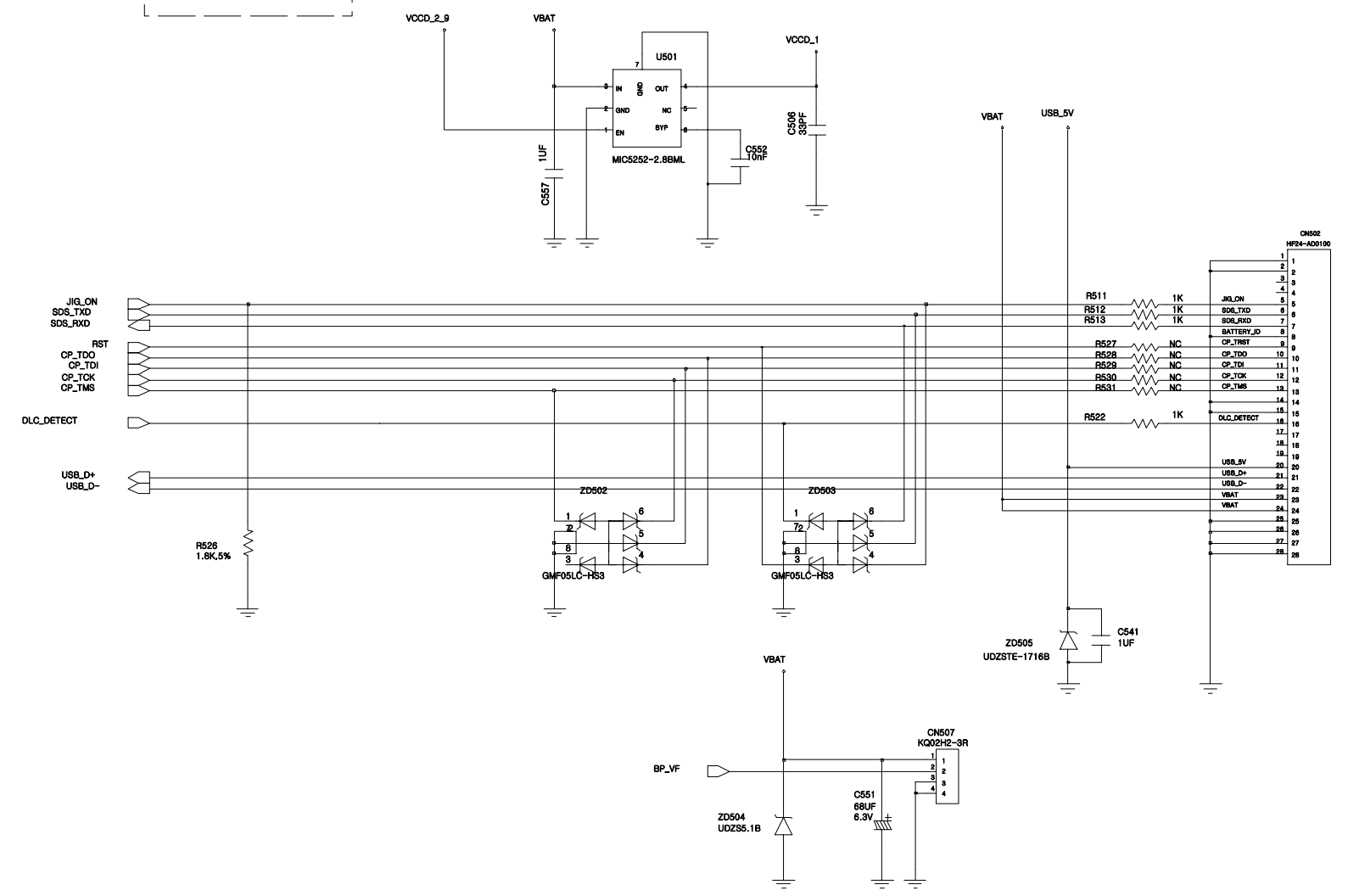
Engineer	COMPANY NAME
Checked by	Address
PCB Layout	City
PCB Gerber Data	TITLE
PCB Fabrication	SGH-E530_REV0.9B
PCB Assembly	Sheet 3 of 5



Engineer	COMPANY NAME
Drawn by	Address
Rev'd Chk	City
Proj. Chk	
Appr. Chk	
	TITLE
	SGH-E530_REV0.9B
Checked by	Size
Rev'd	A3
Drawn	Sheet
4/3/23	4 of 3



MISCELLANEOUS



JTAG

I/F CONNECTOR

DESIGNED BY	COMPANY NAME
DESIGNED BY	Address
DESIGNED BY	City
DESIGNED BY	TITLE
DESIGNED BY	SGH-E530_REV0.9B
DESIGNED BY	REV 0.9B
DESIGNED BY	Sheet 6 of 6