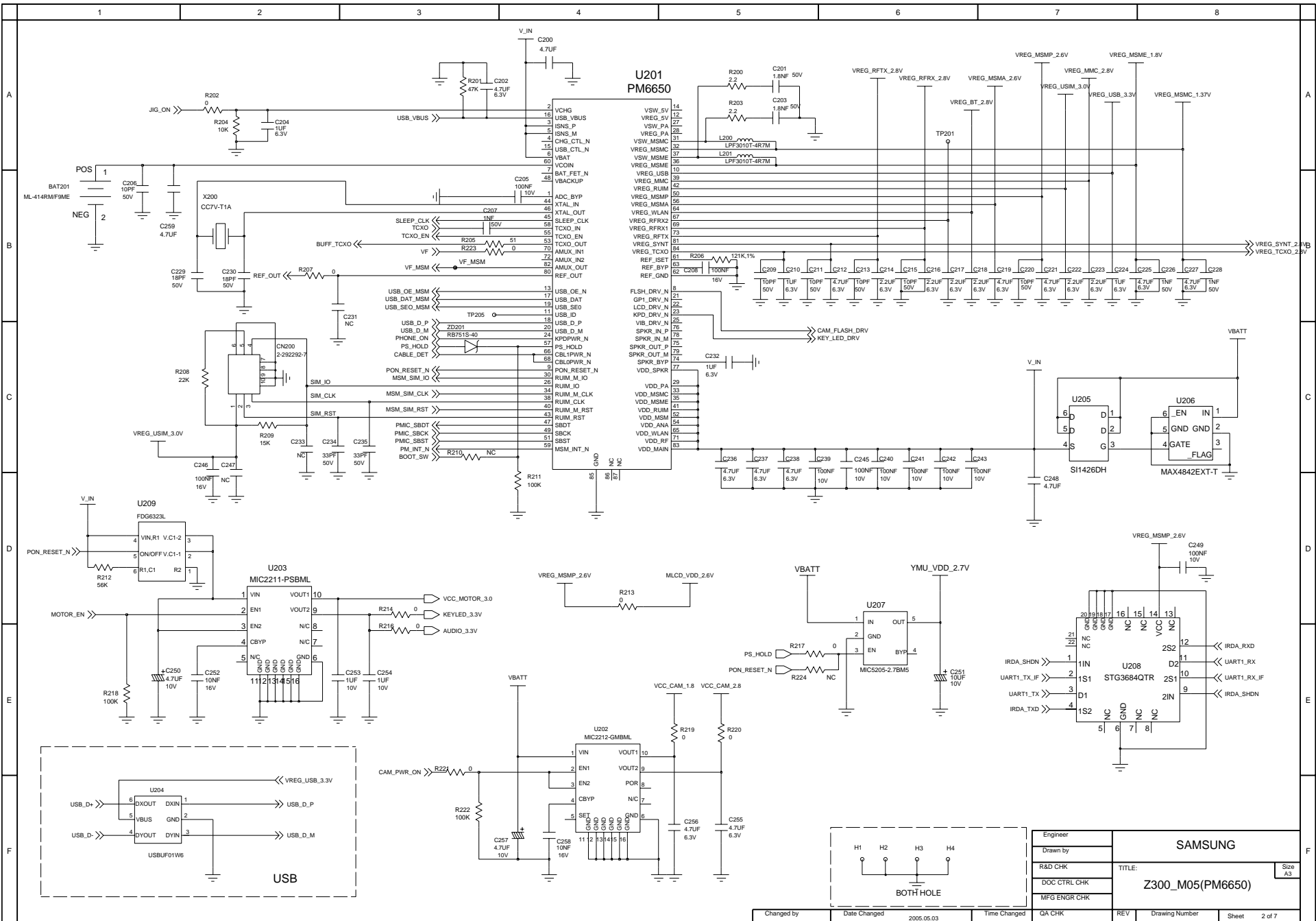


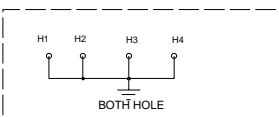
U100

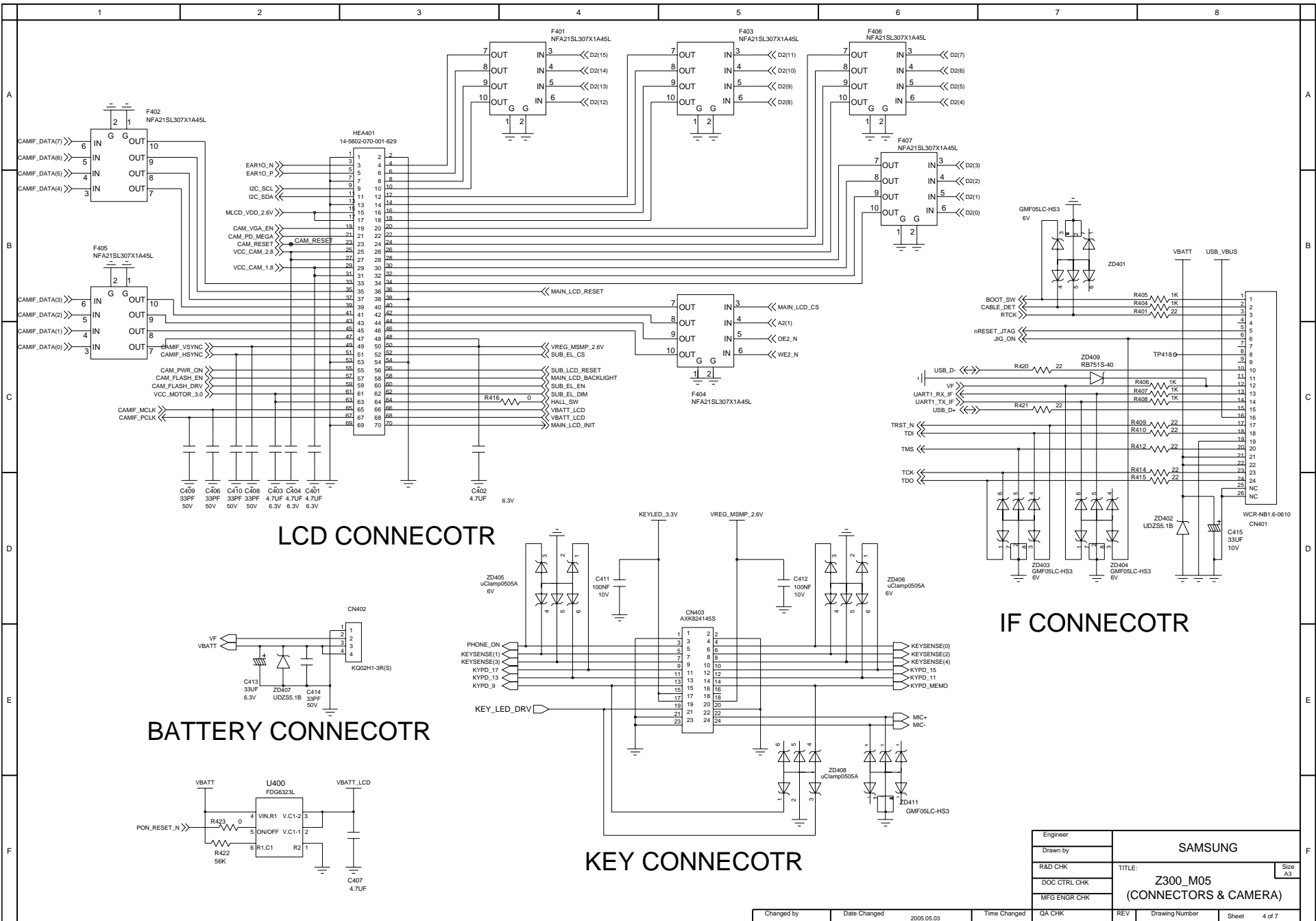
MSM6250-GND

Engineer		SAMSUNG	
Drawn by		TITLE	
R&D CHK		Z300_M05(MSM6250)	
DOC CTRL CHK		REV	
MFG ENDR CHK		Drawing Number	
Sheet		1 of 7	



Engineer	SAMSUNG	
Drawn by		
R&D CHK	TITLE: Z300_M05(PM6650)	
DOC CTRL CHK	MFG ENGR CHK	
QA CHK	REV	Sheet 2 of 7
Changed by	Date Changed	2005.05.03
Time Changed		





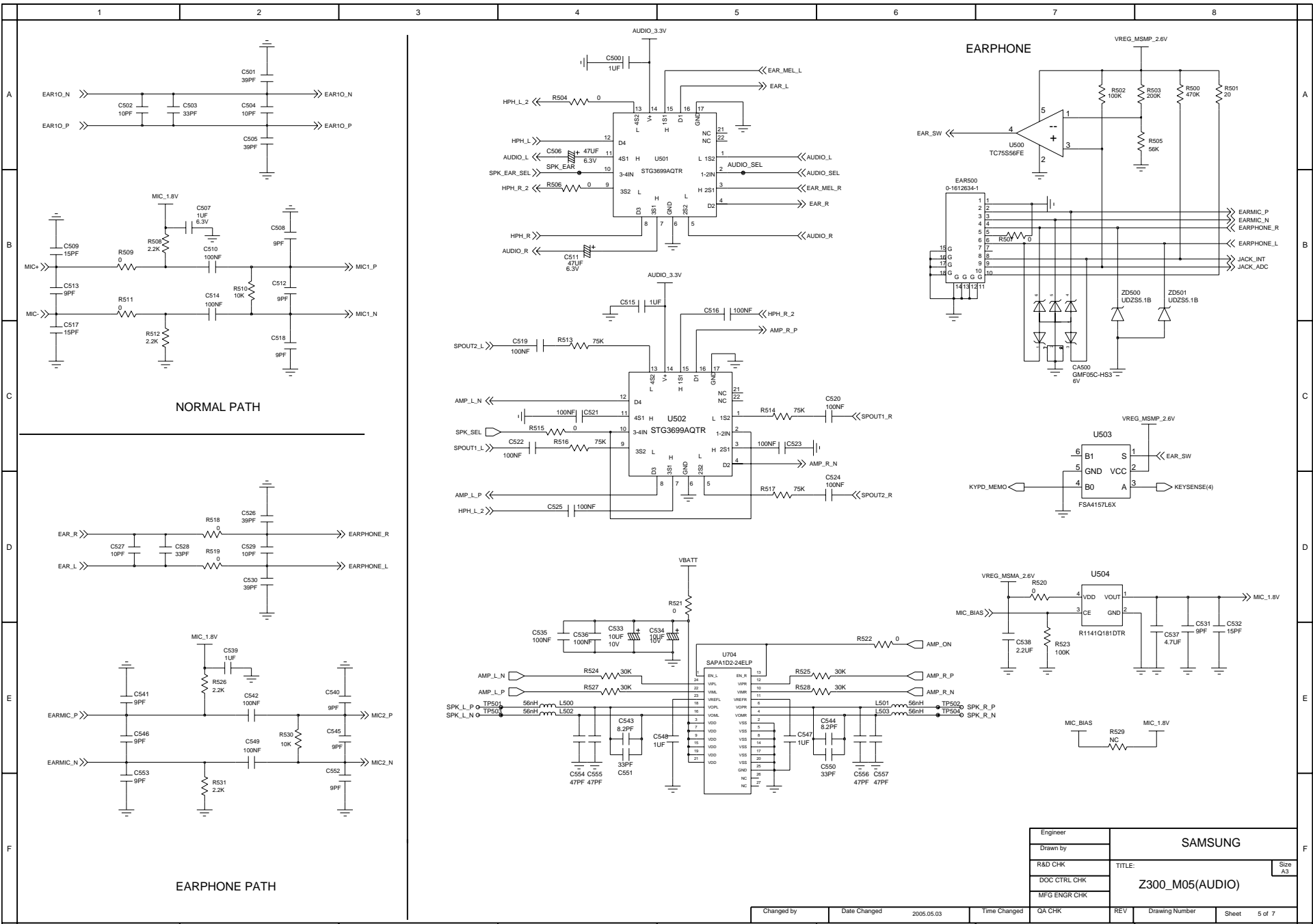
LCD CONNECOTR

IF CONNECOTR

BATTERY CONNECOTR

KEY CONNECOTR

Engineer	SAMSUNG		
Drawn by			
R&D CHK	TITLE:	Z300_M05	Size A3
DOC CTRL CHK	(CONNECTORS & CAMERA)		
MFG ENGR CHK			
REV	Drawing Number	Sheet 4 of 7	

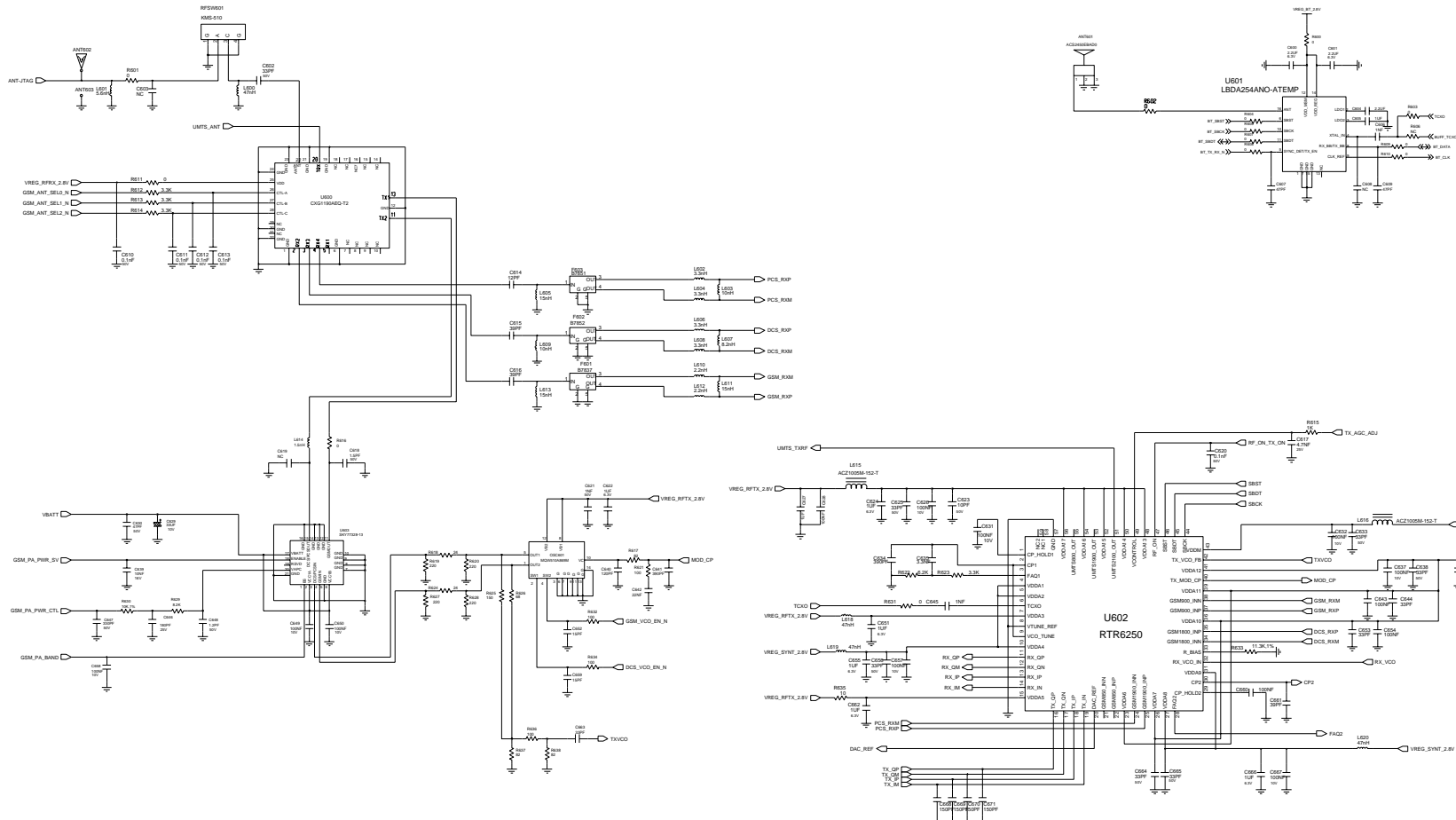


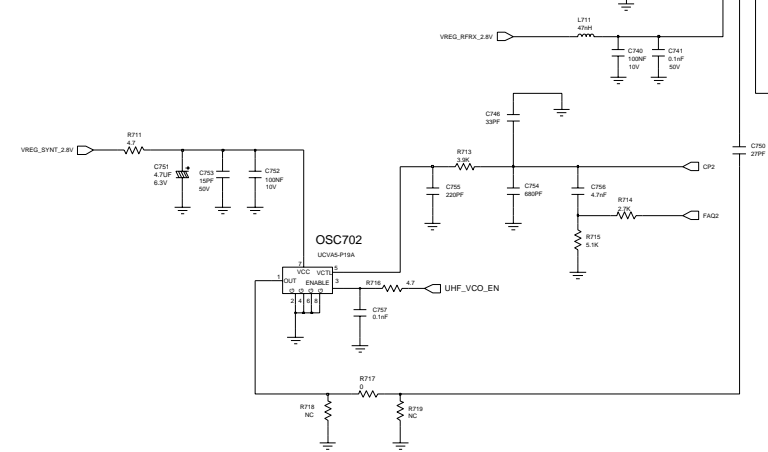
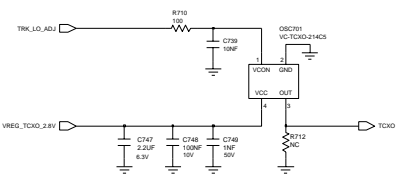
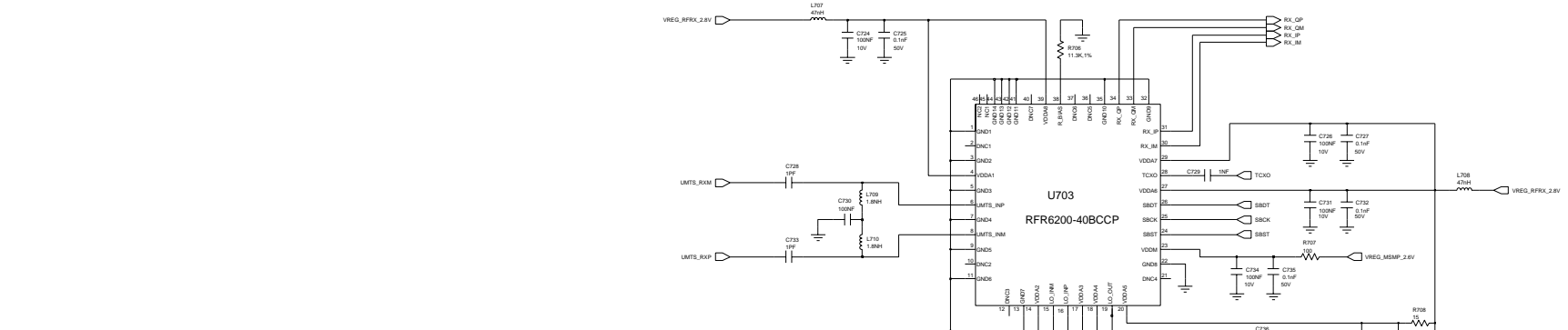
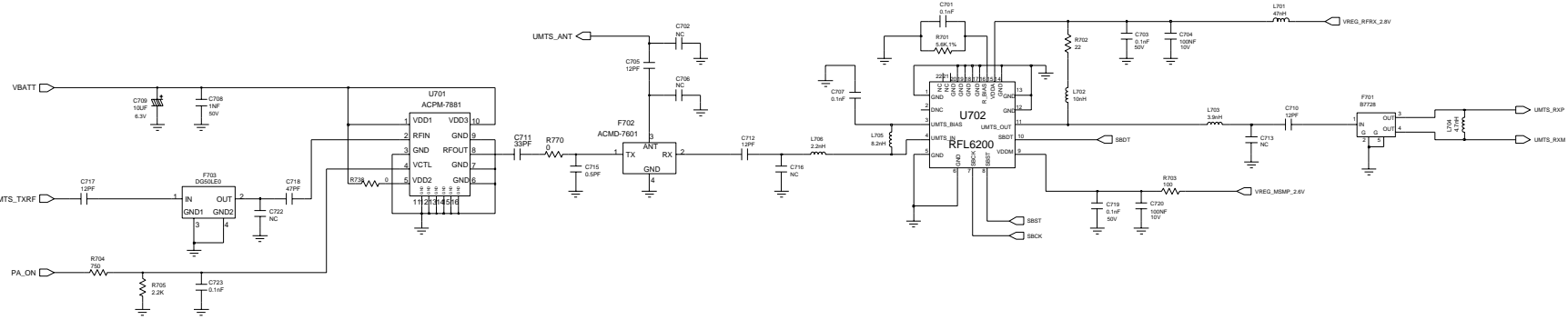
NORMAL PATH

EARPHONE PATH

EARPHONE

Engineer	SAMSUNG		
Drawn by			
R&D CHK	TITLE:	Z300_M05(AUDIO)	Size A3
DOC CTRL CHK			
MFG ENGR CHK			
Changed by	Date Changed	2005.05.03	Time Changed
QA CHK	REV	Drawing Number	Sheet 5 of 7





Engineer	SAMSUNG		
Drawn by			
RF&D CKR	TITLE	Z300_M05	Sheet 7 of 7
DOC CTRL CKR	RFR6200		
MP ENDR CKR			