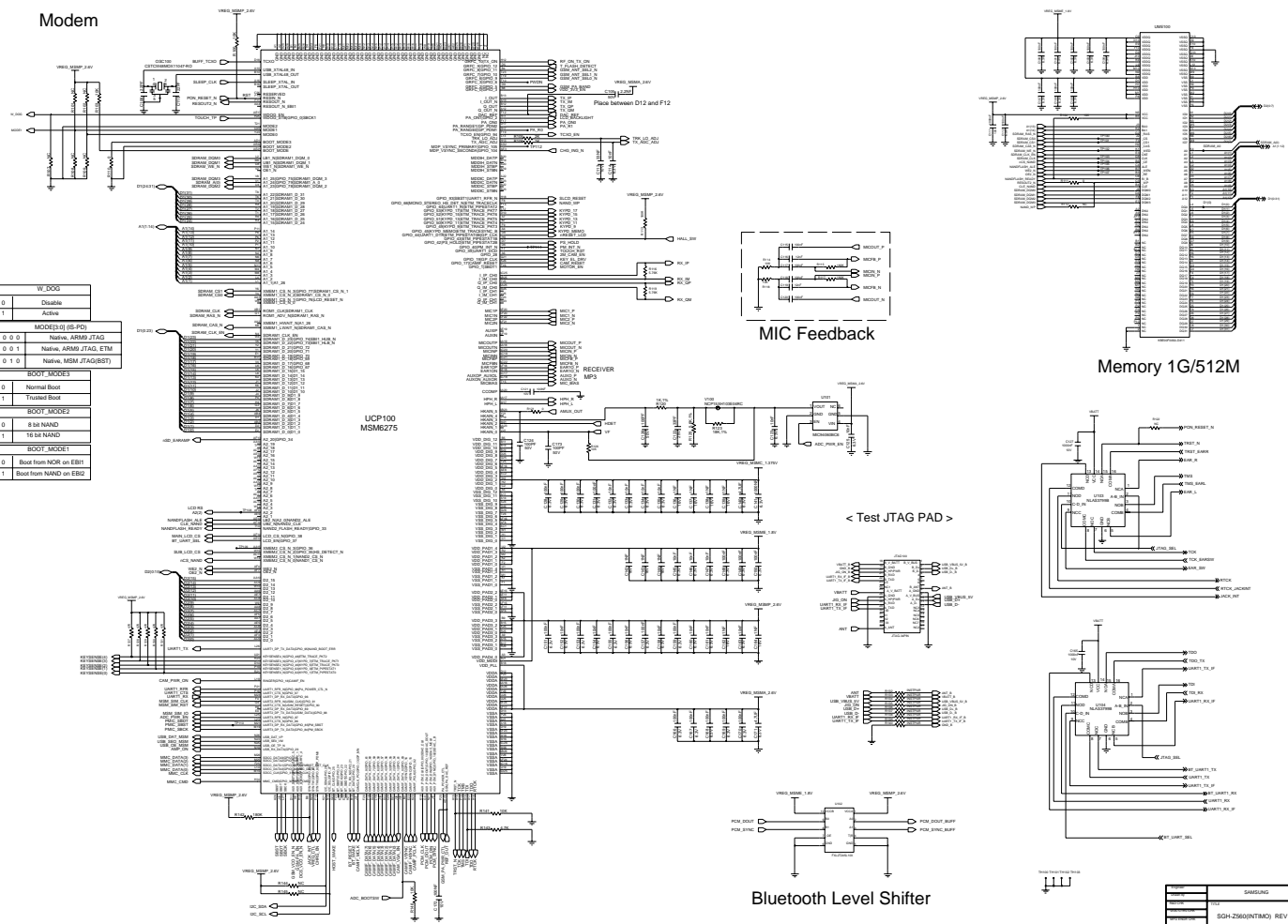


Modem



W_BOOT	
0	Disable
1	Enable
MODEM0 (ES-PDI)	
0 0 0	Native ARM9 JTAG
0 0 1	Native ARM9 JTAG, ETM
0 1 0	Native ARM9 JTAG/SUBST
BODY_MODE0	
0	Normal Boot
1	Trusted Boot
BODY_MODE2	
0	8 bit NAND
1	16 bit NAND
BODY_MODE1	
0	Boot from NOR on EBI
1	Boot from NAND on EBI

UCP100
MSM275

MIC Feedback

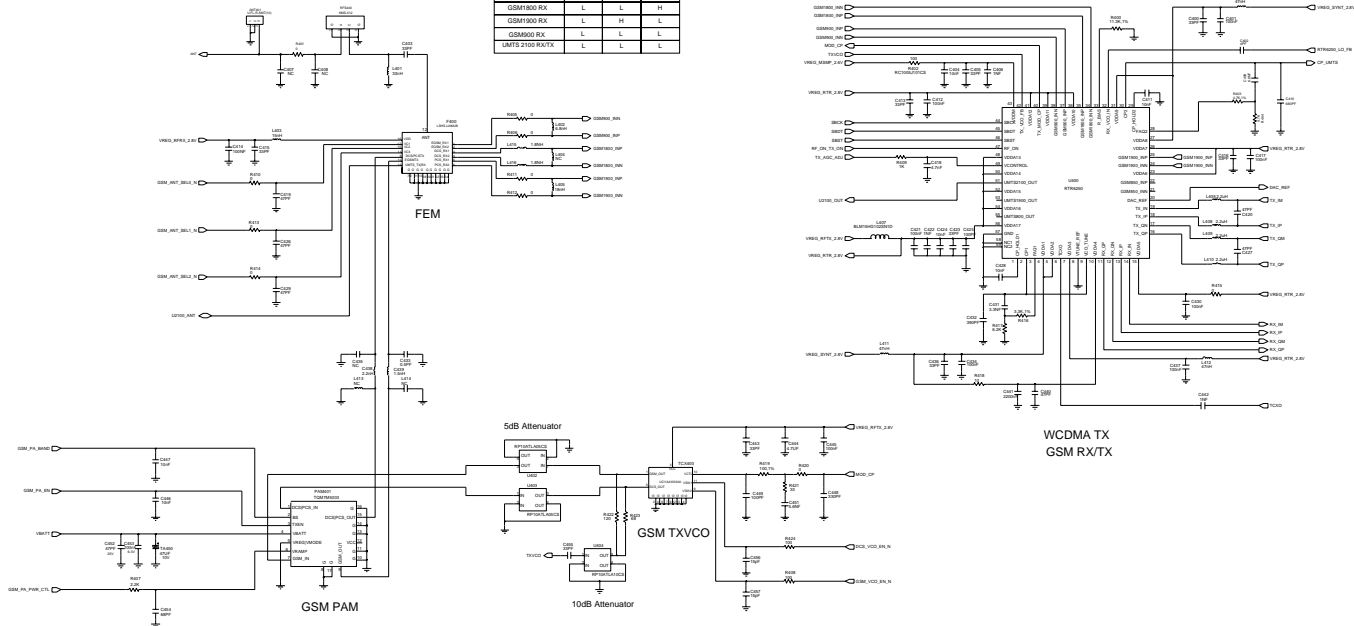
Memory 1G/512M

< Test JTAG PAD >

Bluetooth Level Shifter

< GSM >

	MODE		
	VC1	VC2	VC3
GSM900 TX	H	L	L
GSM1800/1900 TX	L	H	H
GSM1800 RX	L	L	H
GSM1900 RX	L	H	L
GSM900 RX	L	L	L
GPRS 2150 RX/TX	L	L	L

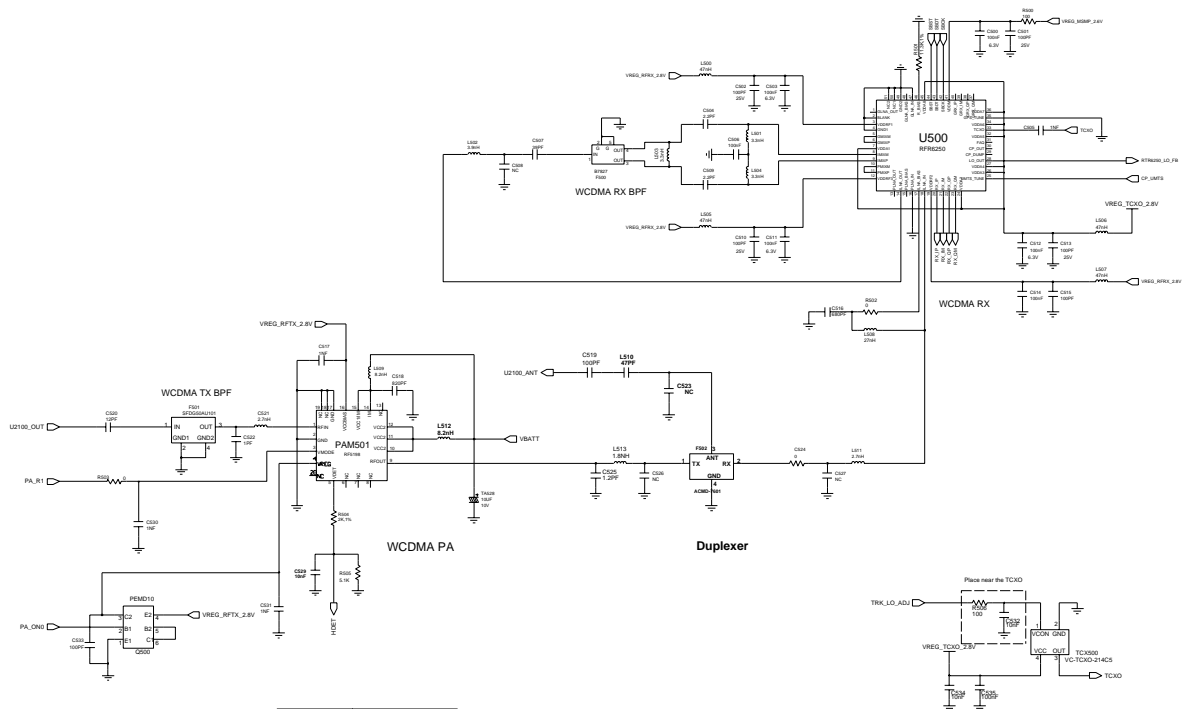


GSM_PA_EN	PA
H	ON
L	OFF

GSM_PA_BAND	MODE
L	GSM900
H	GSM1800

MODE	GSM_VCO_EN	DCS_VCO_EN
GSM 900	H	L
GSM1800/1900	L	H
OFF	H	H

< WCDMA >



PA_R1	GAIN
L	HIGH GAIN
H	LOW GAIN
PA_ON0	PA
L	OFF
H	ON

