

SHEET TITLE

01	COVER SHEET
02	BLOCK DIAGRAM
03	BOM & PCB MODIFY HISTORY
04	P4 LGA775 A
05	P4 LGA775 B
06	P4 LGA775 C
07	P4 LGA775 D,E,F,G
08	GMCH-LAKEPORT HOST
09	GMCH-LAKEPORT DDRII
10	GMCH-LAKEPORT PCI E, DMI
11	GMCH-LAKEPORT INT VGA
12	GMCH-LAKEPORT GND
13	GMCH-LAKEPORT PWR
14	DDRII CHANNEL A 1,2
15	DDRII CHANNEL B 1,2
16	DDRII TERMINATION
17	PCI EXPRESS*16 SLOT
18	ICH7 PCI, USB, DMI, LAN
19	ICH7 IDE, GPIO, SATA, CTRL
20	ICH7 VCC, GND
21	GB/CK410M CLOCK.
22	PCI SLOT 1,2,PCIE*1
23	IDE/FLOPPY/USB
24	SMSC LPC IO
25	COM LPT
26	BIOS,CI,HWM,KB/MS
27	ALC880

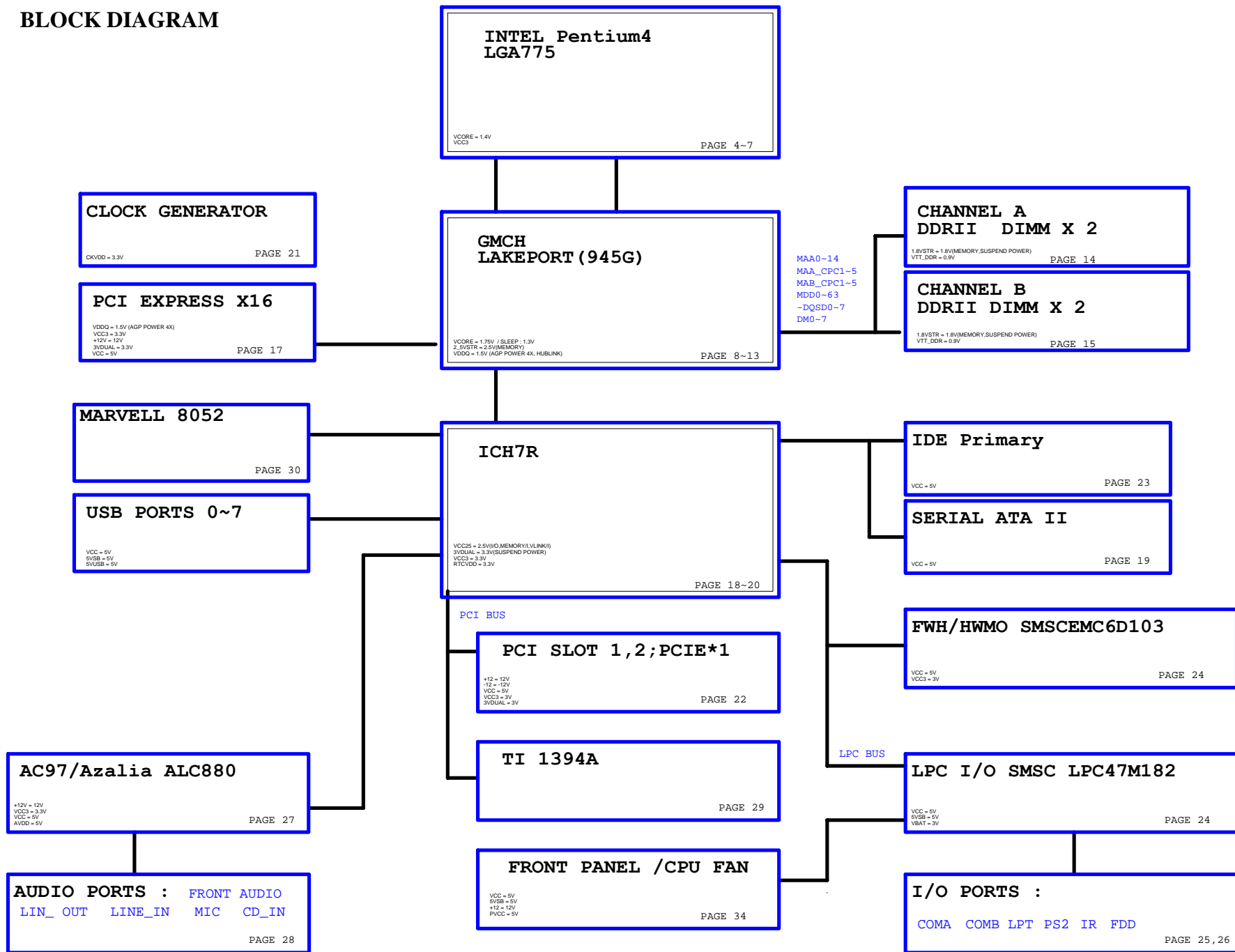
SHEET TITLE

28	REAR AUDIO JACK
29	TI TSB43AB23 1394
30	MARVELL 88E8052
31	VCORE PWM ISL6556
32	DISCRETE POWER
33	ATX, OTHERS POWER
34	FRONT PANEL

**Gigabyte Technology**

Title		Cover Sheet	
Size	Document Number	Rev	
Custom	8I945AEF-RH	1.1	
Date:	Tuesday, November 29, 2005	Sheet	1 of 34

# BLOCK DIAGRAM



<b>Gigabyte Technology</b>			
<b>BOM &amp; PCB MODIFY HISTORY</b>			
File			
Size	Document Number	81945AEF-RH	Rev
Custom			1.1
Date	Tuesday, November 20, 2005	Sheet	2 of 34

Model Name: 8I945AEF-RH-AE

Version: 1.1

Component value change history

2005/08/24

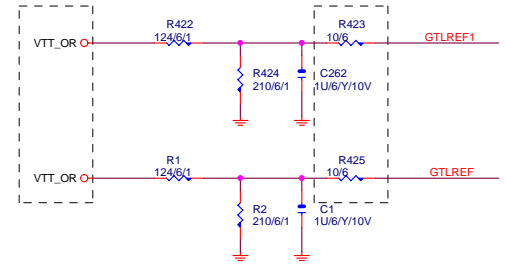
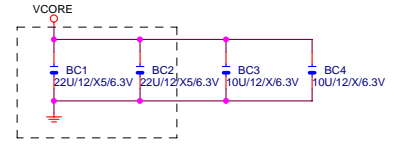
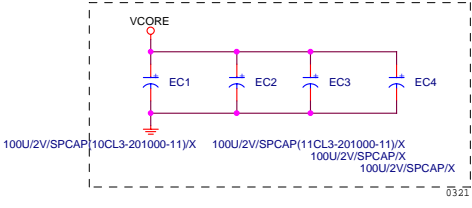
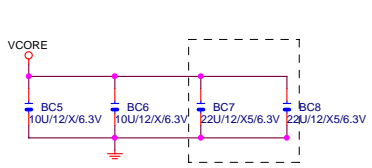
Data	Reason	Change Item
2005/02/01	PAGE 29:ACER modify USB_1394 for rear window	
	PAGE 24:add 5VDUAL LOCKER	
2005/03/21	PCB REV 0.2 MODIFY (ACER)	
	PAGE 31:LAYOUT CHANGED	1.VCORE PWM(NORTH:3 PHASE,EAST:1 PHASE) ADD MOSHSINK1,2
	PAGE 31:LAYOUT CHANGED	2.CPU_FAN,SYS_FAN USE OP+MOSFET
	PAGE 29:LAYOUT CHANGED	3.R_USB/USB_1394 PORT 6/7 CO-LAYOUT on REAR SIDE
		4.Front 1394 connector only 1 keep
	PAGE 19:ACER ADD TPM FUNCTION	5.ADD TPM CONNECTOR
	PAGE 28:ACER MODIFY SPDIF CONNECTOR	6.SPDIF PH/1*4K2
	PAGE 26:ACER MODIFY CASEOPEN--->RTCVDD~>3VDUAL	7.CACEOPEN- PULL-UP from RTCVDD-->3VDUAL
2005/03/29	9M8I945AEF-AE-02 E-BOM (ACER B2-C)	1.PAGE 4:ADD CPU RETAINTION/[12KRC-040005-21] & IO_SHIELD/[12AIO-AE0007-01]
	NB/SB CHIPSET MODIFY:945G/A2+ICH7/A1	2.NB/SB CHIPSET MODIFY:945G/A2/ACER/[10HB1-033000-23R]+ICH7/A1/ACER/[10HB1-032801-N3R]
	PAGE 11:LAYOUT BOM CHANGED (INTEL REQUEST)	3.SDVO CLDATA & SDVO_CLCLK add 220Ω(R1630,R1631)
	PAGE 24:LAYOUT BOM CHANGED-->FAN DESIGN	4.CPU_FAN and SYS_FAN design OP+MOSFET circuit
	PAGE 28:LAYOUT BOM CHANGED-->F_AUDIO	5.ADD F_AUDIO ACER CABLE AUDIO PRECISION (CEC6,CEC7-->100UF)
	PAGE 34:LAYOUT BOM CHANGED-->VCC1_5	6.EC37,EC38,EC64-->1500U/D/6.3V/AC/[11CL1-AD1501-02_11CL1-AD1501-03_11CL1-AD1501-04]
	PAGE 11:LAYOUT BOM CHANGED (INTEL REQUEST) -->SATAII PLL POWER ADD (LC) DECOUPLING	7.L22-->10UH/0806/S/[10LI2-12100A-02_10LI2-12100A-03];BC194-->10U/8/Y/6.3V
	PAGE 34:BOM CHANGED-->PWRLED	8.USE GPO26 (PWRLED S1/S3 BLINKING)
2005/04/15	PCB REV 0.3 MODIFY (ACER)	1.EMI ISSUE FOR COM PORT (VIN)
2005/04/28	BOM:9M8I945AEF-AE-10A PVT	1.更改PCB VER:1.0 2.CBC30,CBC31,CBC34,CBC35,CBC38,CBC39:1U-->2.2U 3.REMOVE U11<BIOS SK> 4.REMOVE PCIE_12V
2005/05/04	BOM:9M8I945AEF-AE-10A ECN	1.B2加替料
2005/05/24	BOM:9M8I945AEF-AE-11A DVT	1.SB change ICH7R
2005/06/13	BOM:9M8I945AEF-AE-11B-DVT	1.C1288 ADD 10K/4 2.1394加替料
2005/06/13	BOM:9M8I945AEF-AE-11B PVT	1.轉P-BOM

Circuit or PCB layout change for next version

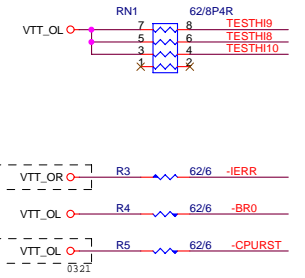
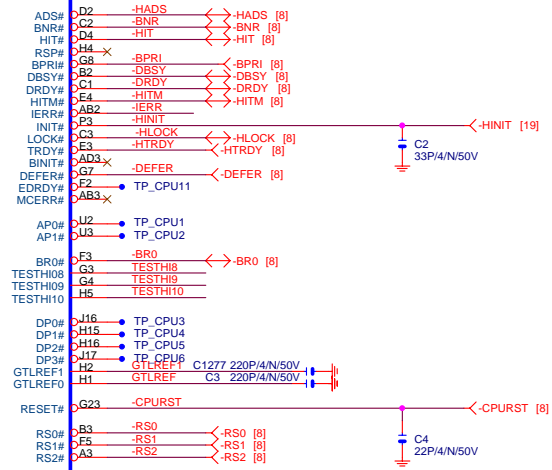
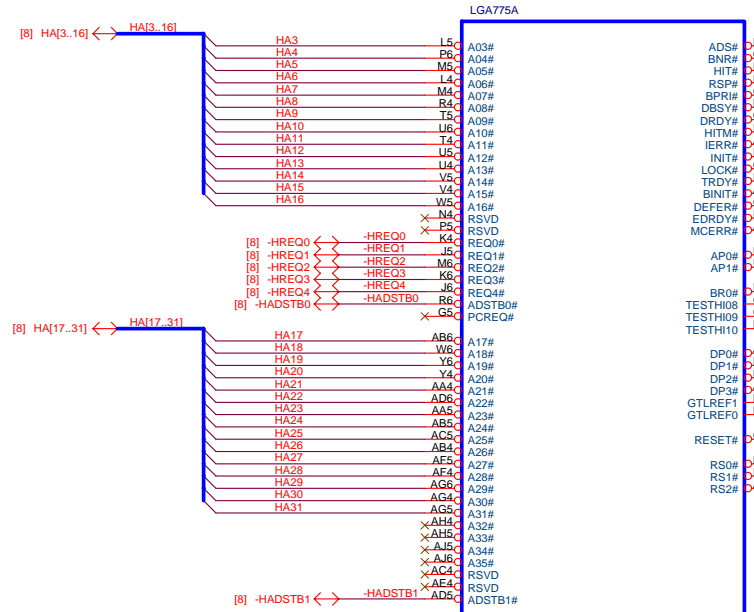
DATE	Change Item	Reason
2005/07/13	BOM:9M8I945AE-AE-11C	1.FIX 水波紋ISSUE: FB4 (30/8/S/4A)-->0 OHM DEL U8 (NCP500SN25T1 ON:10GL4-15B252-11)
2005/07/14	BOM:9MI945AER-AE-11C (改ROHS BOM)	
2005/07/28	BOM:9MI945AER-AE-11C ECN	1.更改PCB料號
2005/08/24	BOM:9M8I945AEFR-AE-11D	1.PCB ADD CHINA PCB 2.MOSFET HEATSINK CHANGE

Gigabyte Technology

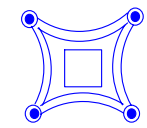
Title BOM & PCB MODIFY HISTORY		
Size Custom	Document Number 8I945AEF-RH	Rev 1.1
Date: Tuesday, November 29, 2005	Sheet 3	of 34



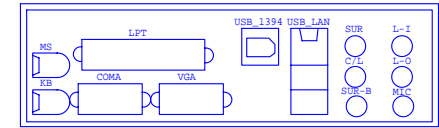
LGA775 FOOT PRINT FOR ACER:LGA775-ACER

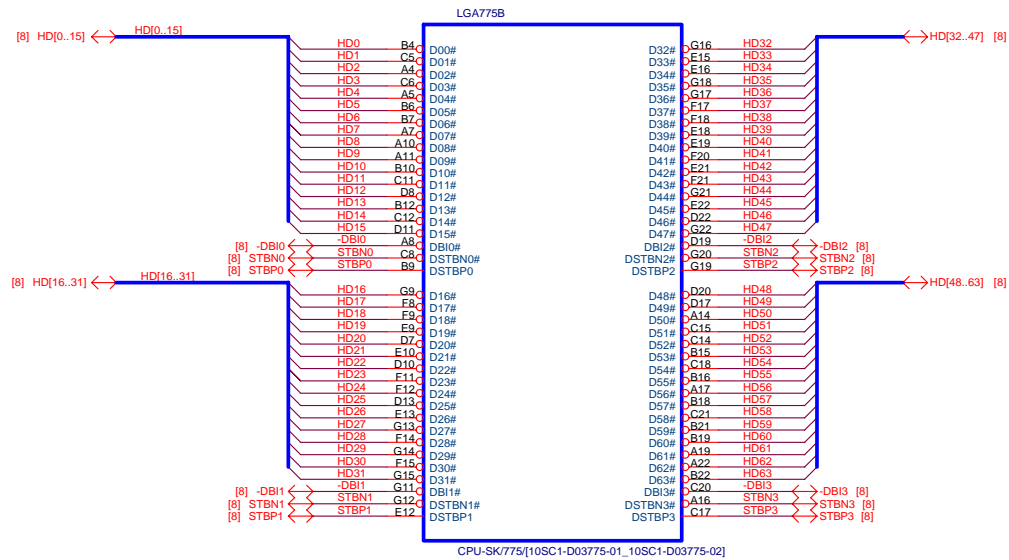


LGA775-CR  
CPU\_RETAINION[12KRC-040005-21]

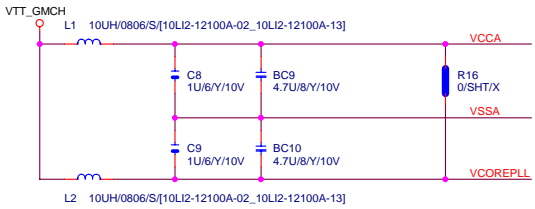


IO\_SHIELD  
IO\_SHIELD[12AIO-AE0007-01]

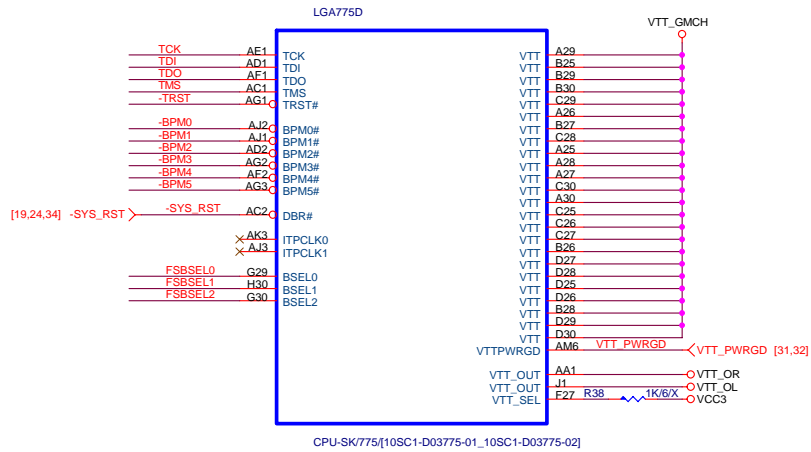
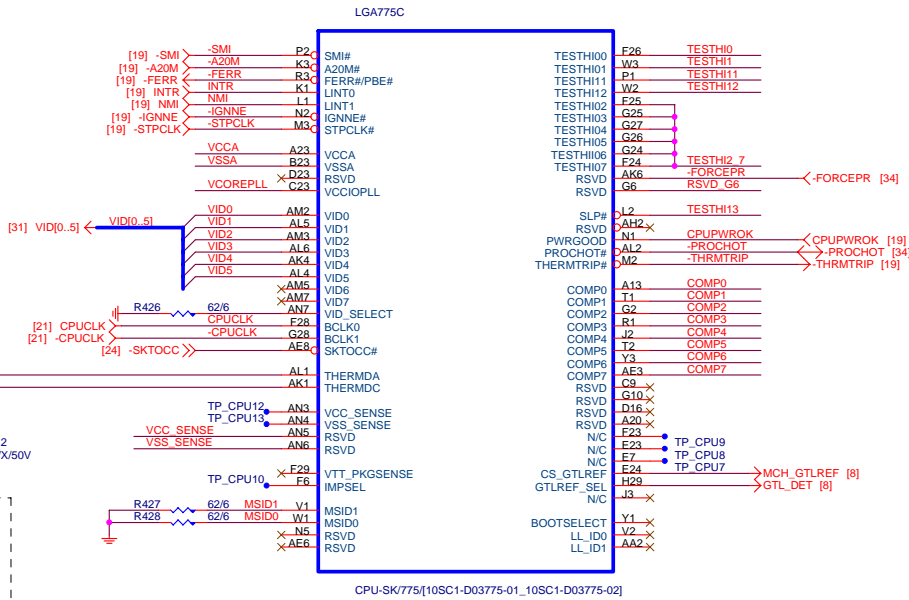
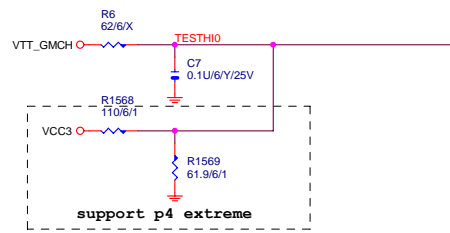
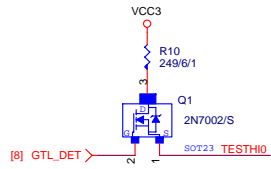
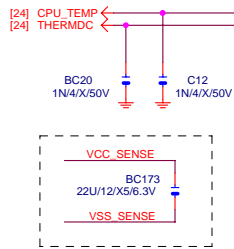




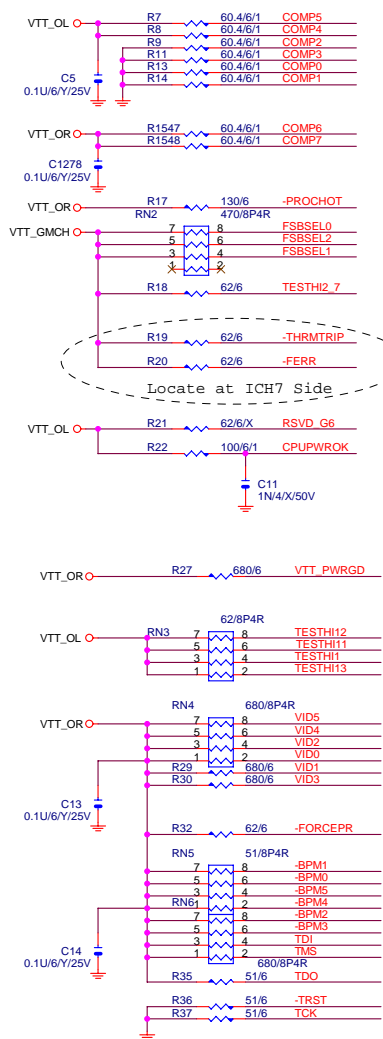
**Note:**  
VCCA & VCOREPLL  
define doesn't same as  
old P4 design kit

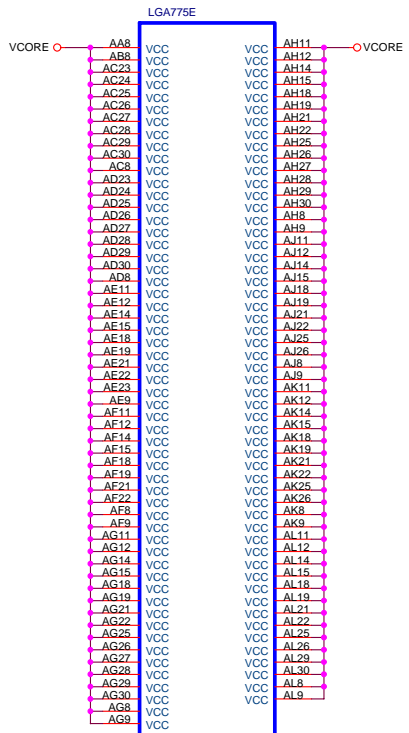


As close as possible to  
CPU socket

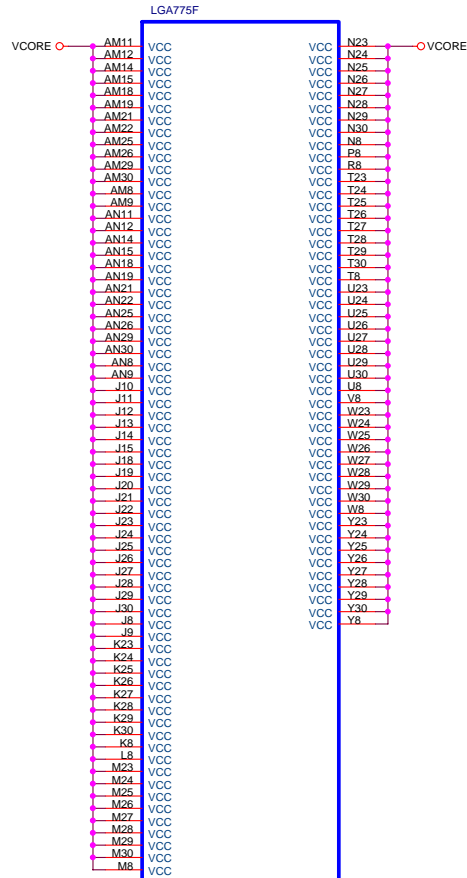


Place outside of CPU socket

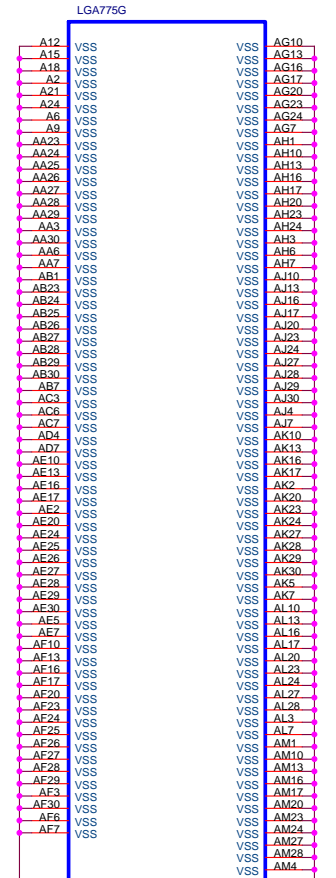




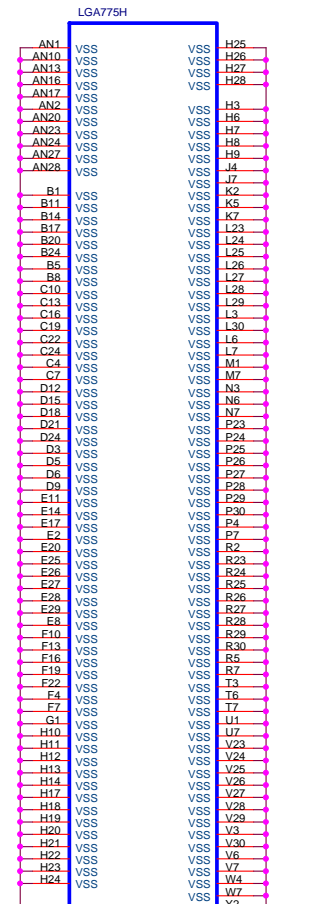
CPU-SK/775[10SC1-D03775-01\_10SC1-D03775-02]



CPU-SK/775[10SC1-D03775-01\_10SC1-D03775-02]



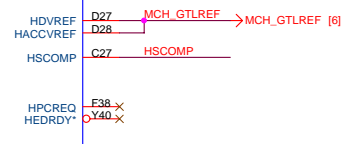
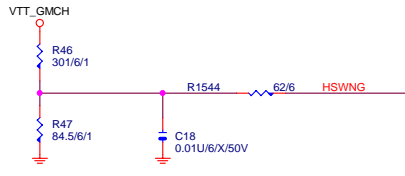
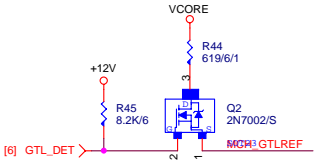
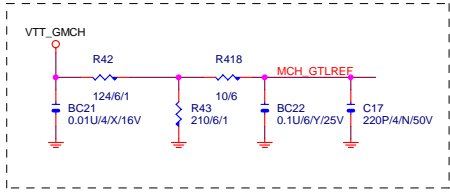
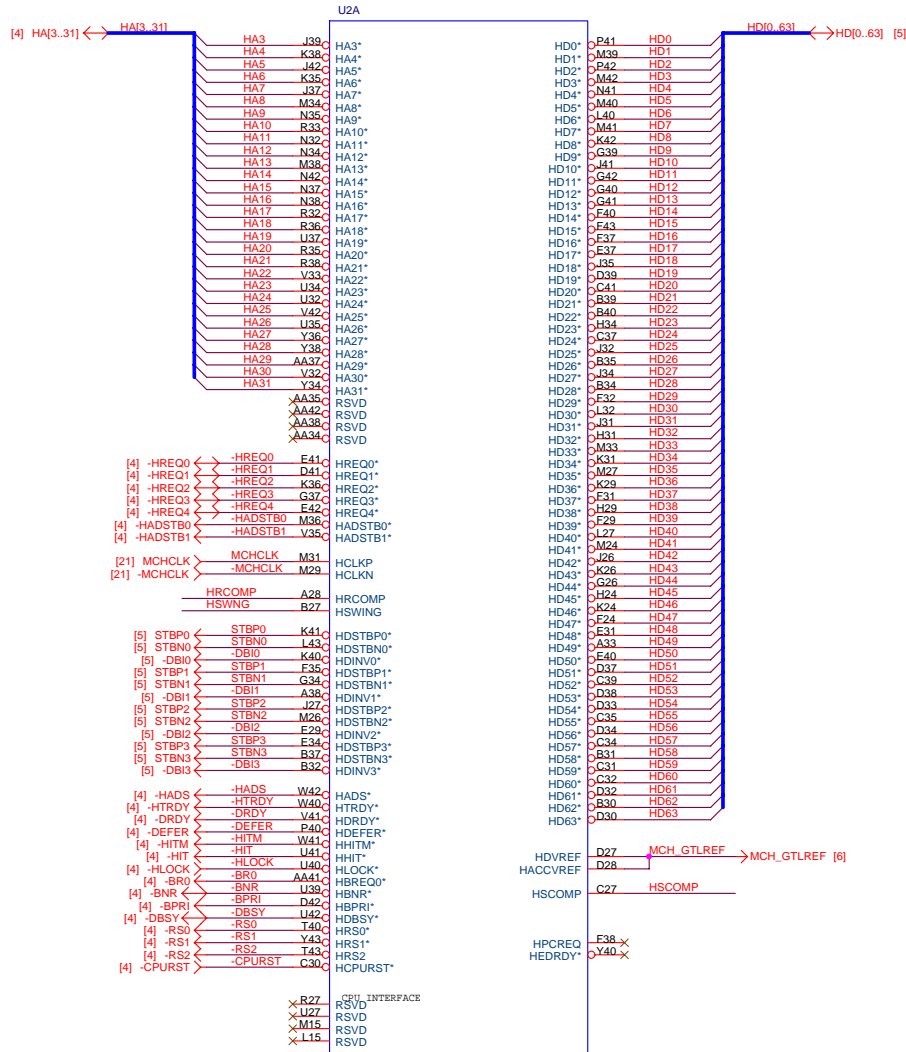
CPU-SK/775[10SC1-D03775-01\_10SC1-D03775-02]



CPU-SK/775[10SC1-D03775-01\_10SC1-D03775-02]

**Gigabyte Technology**

Title			P4_LGA775-D		
Size	Document Number		81945AEF-RH		Rev
Custom					1.1
Date:	Tuesday, November 29, 2005	Sheet	7	of	34



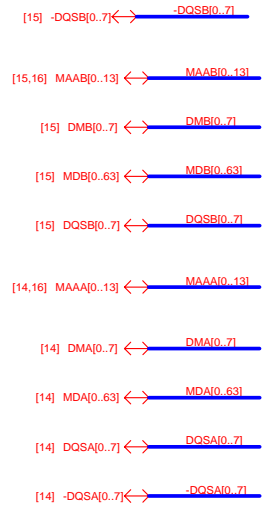
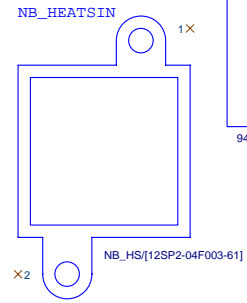
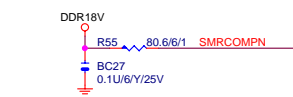
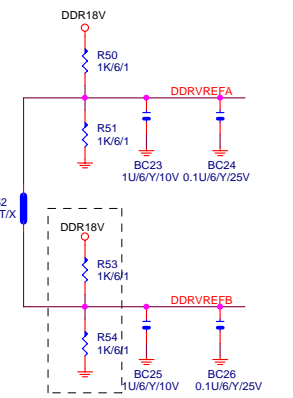


MODT\_A0\_3] ↔ MODT\_A0[0..3] [14,16]

MODT\_B0\_3] ↔ MODT\_B0[0..3] [15,16]

U2F

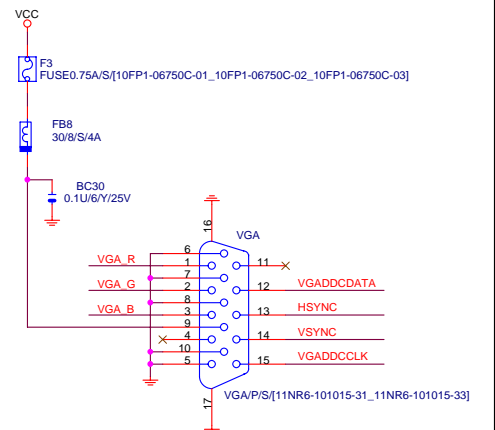
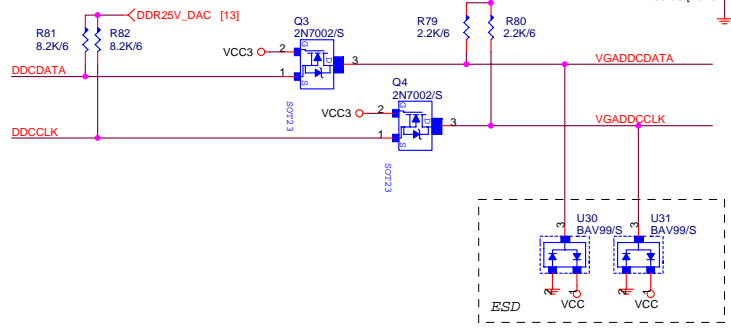
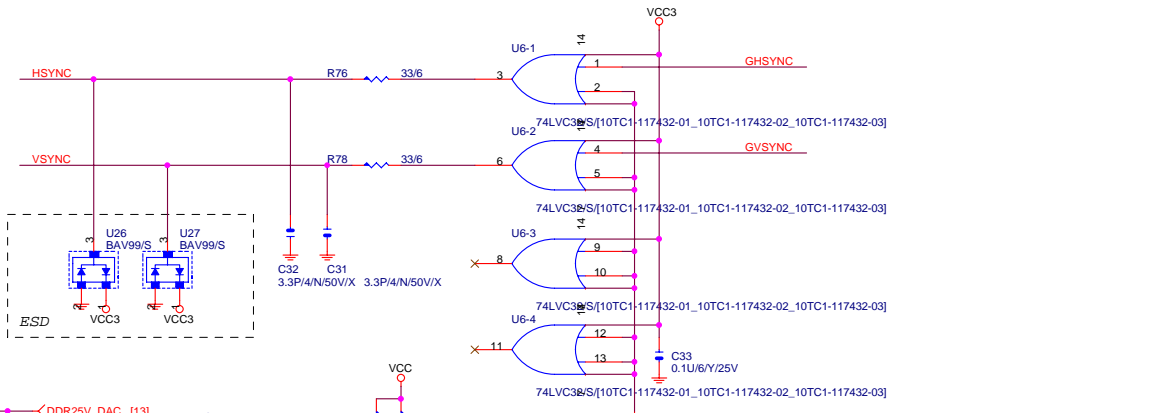
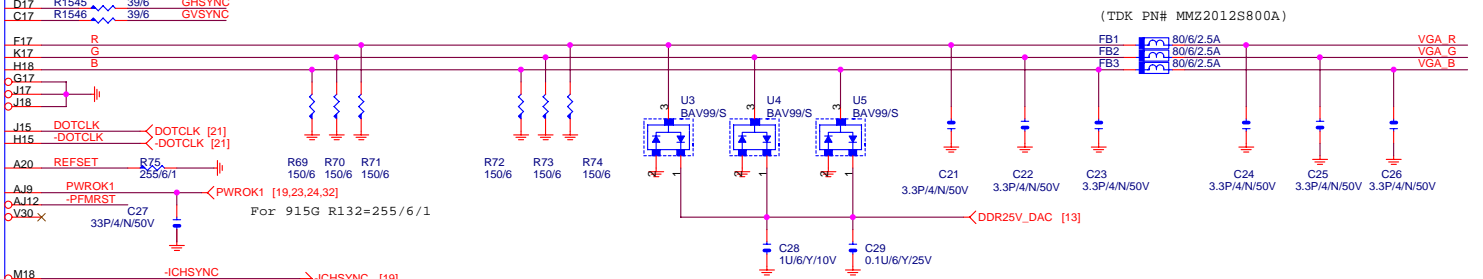
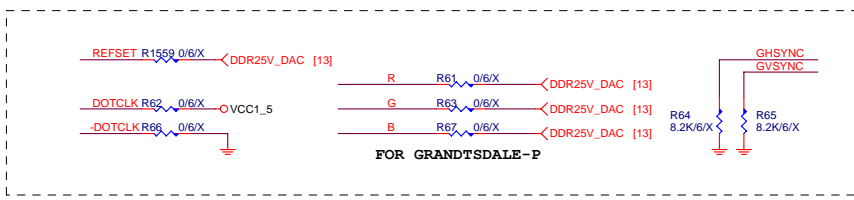
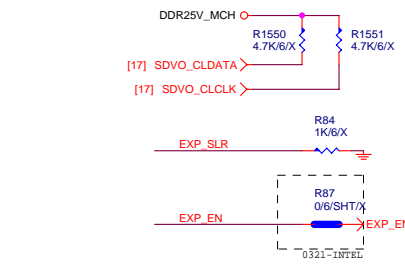
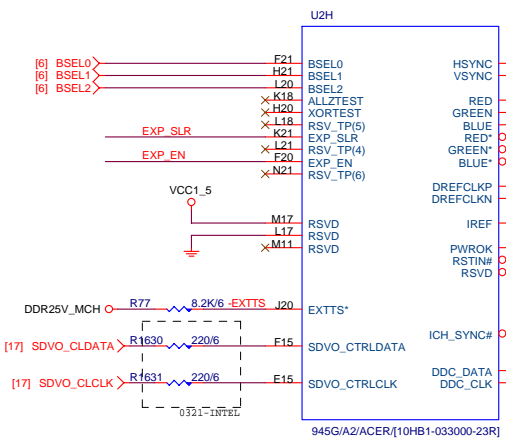
U2G





**Gigabyte Technology**

Title			GMCH-PCI E & DMI		
Size	Document Number	<b>81945AEF-RH</b>		Rev	1.1
Date:	Tuesday, November 29, 2005	Sheet	10	of	34



<b>Gigabyte Technology</b>			
Title <b>GMCH-INTERNAL VGA</b>			
Size Custom	Document Number	<b>81945AEF-RH</b>	
Date:	Tuesday, November 29, 2005	Sheet	11 of 34

U2C

A4	VSS	N2
A16	VSS	N6
A22	VSS	AD0
A26	VSS	AD11
A31	VSS	AD13
A35	VSS	N15
B4	VSS	N24
B6	VSS	N26
B9	VSS	N27
B11	VSS	N29
B13	VSS	AF1
B21	VSS	AF2
B22	VSS	N33
B28	VSS	N36
B33	VSS	N39
B38	VSS	N43
C3	VSS	P3
C5	VSS	P14
C7	VSS	P15
C12	VSS	P24
C14	VSS	P26
C22	VSS	P27
C40	VSS	P29
D2	VSS	P30
D5	VSS	R6
D10	VSS	R9
D16	VSS	R12
D20	VSS	R14
D21	VSS	R30
E3	VSS	R31
E4	VSS	R34
E7	VSS	R37
E9	VSS	R39
E12	VSS	T2
E13	VSS	T2
E17	VSS	AK24
E18	VSS	AK26
E20	VSS	AK29
E21	VSS	AK30
E32	VSS	U8
F2	VSS	U12
F6	VSS	U14
F8	VSS	U18
F18	VSS	U31
F26	VSS	U33
F34	VSS	U36
F42	VSS	U38
G3	VSS	V2
G5	VSS	V8
G7	VSS	V9
G9	VSS	V43
G10	VSS	W3
G13	VSS	Y2
G15	VSS	Y5
G18	VSS	Y6
G20	VSS	Y9
G21	VSS	Y12
G24	VSS	Y14
G27	VSS	Y31
G29	VSS	Y35
G31	VSS	Y37
G32	VSS	Y39
G35	VSS	Y42
G38	VSS	AA3
H12	VSS	AA8
H17	VSS	AA11
H26	VSS	AA12
H27	VSS	AA14
H32	VSS	AA21
I2	VSS	AA23
J5	VSS	AA31
J7	VSS	AA33
J10	VSS	AA36
J12	VSS	AB2
J21	VSS	AB43
J24	VSS	AC2
J38	VSS	AC3
J43	VSS	AC7
K3	VSS	AC10
K5	VSS	AC14
K6	VSS	AC21
K7	VSS	AC23
K10	VSS	AC31
K12	VSS	AC36
K13	VSS	AC37
K15	VSS	AC38
K20	VSS	AC39
K27	VSS	AP5
K32	VSS	AP7
K34	VSS	AP10
K37	VSS	AP12
K39	VSS	AP21
L2	VSS	AP34
L12	VSS	AP38
L13	VSS	AR1
L24	VSS	AR6
L26	VSS	AR15
L29	VSS	AR20
L42	VSS	AR24
M3	VSS	AR32
M5	VSS	AR37
M8	VSS	AR39
M9	VSS	AR43
M10	VSS	AT12
M13	VSS	AT17
M20	VSS	AT18
M21	VSS	AT21
M35	VSS	AT23
M37	VSS	AT26
		AT27
		AT31
		AU6
		AU9
		AU12
		AL13
		AL15
		AL17
		AU20
		AD18
		AD20
		AD22
		AD24
		AD27
		AD29
		AE19
		AE21
		AE23
		AE25
		AF18
		AF20
		AF22
		AF24
		AY1
		BC4

945G/A2/ACER[10HB1-033000-23R]

U2E

AD7	VSS
N8	VSS
AD11	VSS
AD13	VSS
N15	VSS
N24	VSS
AD37	VSS
AD42	VSS
N29	VSS
AF1	VSS
AF2	VSS
N33	VSS
N36	VSS
N39	VSS
N43	VSS
P3	VSS
P14	VSS
P15	VSS
P24	VSS
P26	VSS
P27	VSS
P29	VSS
P30	VSS
R6	VSS
R9	VSS
R12	VSS
R14	VSS
R30	VSS
R31	VSS
R34	VSS
R37	VSS
R39	VSS
T2	VSS
AK24	VSS
AK26	VSS
AK29	VSS
AK30	VSS
U8	VSS
U12	VSS
U14	VSS
U18	VSS
U31	VSS
U33	VSS
U36	VSS
U38	VSS
V2	VSS
V8	VSS
V9	VSS
V43	VSS
W3	VSS
Y2	VSS
Y5	VSS
Y6	VSS
Y9	VSS
Y12	VSS
Y14	VSS
Y31	VSS
Y35	VSS
Y37	VSS
Y39	VSS
Y42	VSS
AA3	VSS
AA8	VSS
AA11	VSS
AA12	VSS
AA14	VSS
AA21	VSS
AA23	VSS
AA31	VSS
AA33	VSS
AA36	VSS
AB2	VSS
AB43	VSS
AC2	VSS
AC3	VSS
AC7	VSS
AC10	VSS
AC14	VSS
AC21	VSS
AC23	VSS
AC31	VSS
AC36	VSS
AC37	VSS
AC38	VSS
AC39	VSS
AP5	VSS
AP7	VSS
AP10	VSS
AP12	VSS
AP21	VSS
AP34	VSS
AP38	VSS
AR1	VSS
AR6	VSS
AR15	VSS
AR20	VSS
AR24	VSS
AR32	VSS
AR37	VSS
AR39	VSS
AR43	VSS
AT12	VSS
AT17	VSS
AT18	VSS
AT21	VSS
AT23	VSS
AT26	VSS
AT27	VSS
AT31	VSS
AU6	VSS
AU9	VSS
AU12	VSS
AL13	VSS
AL15	VSS
AL17	VSS
AU20	VSS
AD18	VSS
AD20	VSS
AD22	VSS
AD24	VSS
AD27	VSS
AD29	VSS
AE19	VSS
AE21	VSS
AE23	VSS
AE25	VSS
AF18	VSS
AF20	VSS
AF22	VSS
AF24	VSS
AY1	VSS
BC4	VSS

945G/A2/ACER[10HB1-033000-23R]

VSS	AU21
VSS	AU24
VSS	AU26
VSS	AU29
VSS	AU32
VSS	AU34
VSS	AV2
VSS	AV10
VSS	AV17
VSS	AV37
VSS	AW10
VSS	BA4
VSS	BA42
VSS	BB3
VSS	BB6
VSS	BB11
VSS	BB14
VSS	BB19
VSS	BB34
VSS	BB39
VSS	BB41
VSS	BC9
VSS	A40
VSS	D1
VSS	D43
VSS	R26
VSS	R29
VSS	U29
VSS	V24
VSS	V26
VSS	V29
VSS	W21
VSS	W23
VSS	W25
VSS	Y20
VSS	Y22
VSS	Y24
VSS	Y26
VSS	Y29
VSS	AA25
VSS	AA27
VSS	AA29
VSS	AC19
VSS	AC25
VSS	AC29
NC	A42
NC	B2
NC	B3
NC	B4
NC	B42
NC	B43
NC	C2
NC	C42
NC	E35
NC	AV26
NC	AV27
NC	AW2
NC	AW28
NC	BA2
NC	BB1
NC	BB2
NC	BB43
NC	BC1
NC	BC2
NC	BC42
NC	BC43
RSVD	AK21
RSVD	AJ23
RSVD	AJ26
RSVD	AL23
RSVD	AL29
RSVD	AJ21
RSVD	AL26
RSVD	AK27
RSVD	AD36
RSVD	AC34
RSVD	Y30
RSVD	Y32
RSVD	AF31
RSVD	AD31
RSVD	U30
RSVD	V31
RSVD	AA30
RSVD	AC30
RSVD	AA3
RSVD	AG25
RSVD	AG26
RSVD	AG27
RSVD	AJ24
RSVD	AJ27
RSVD	AK40
RSVD	AW11
RSVD	AW18
RSVD	AY14
RSVD	BC16
RSVD	AJ29
RSVD	AG23

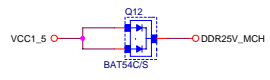
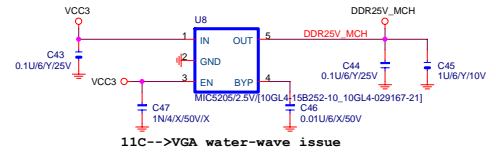
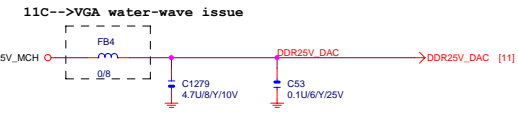
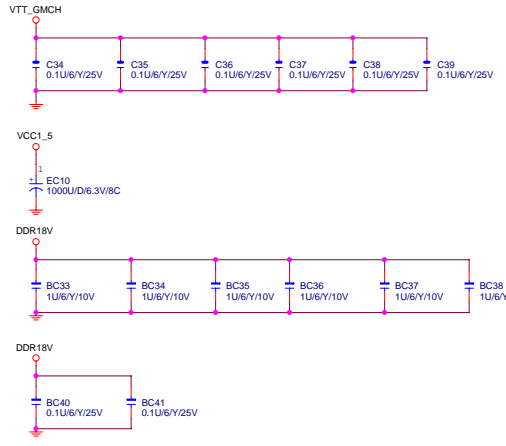
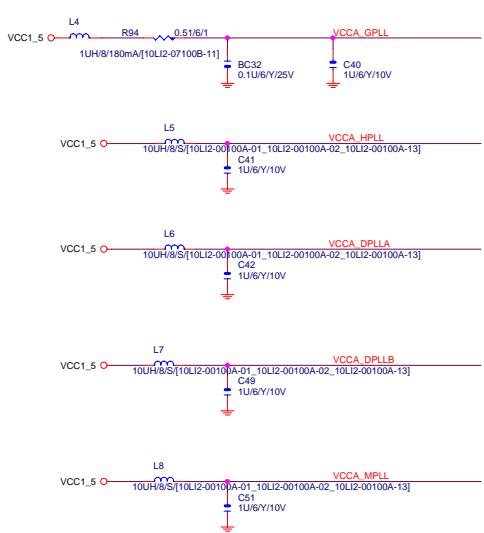
**Gigabyte Technology**

**GMCH-GND**

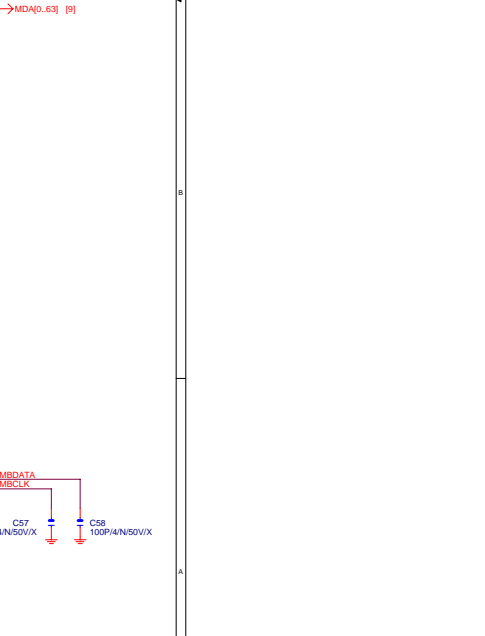
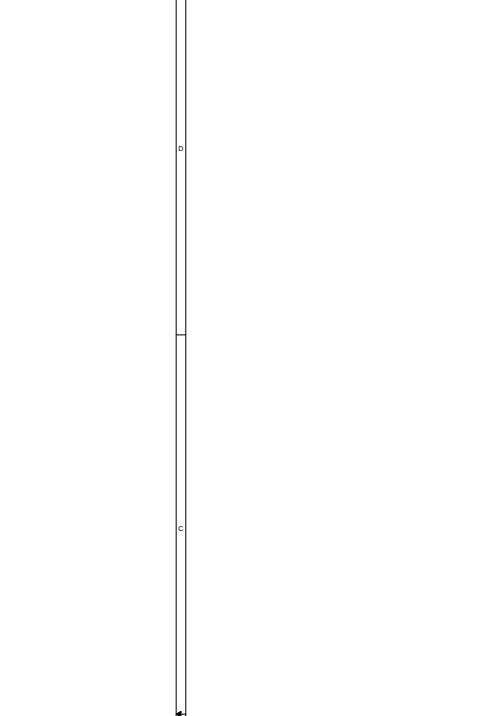
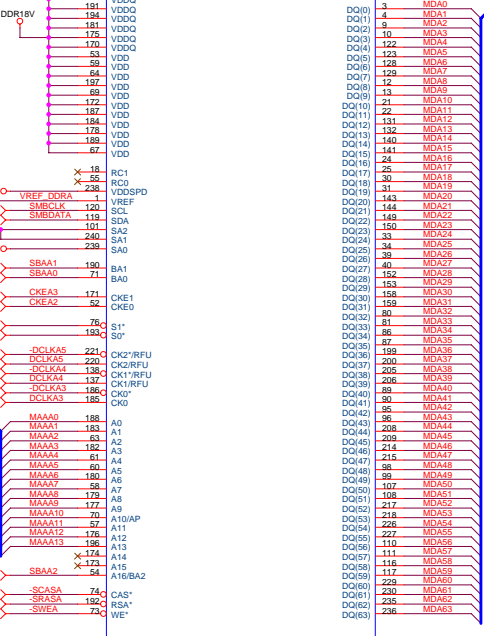
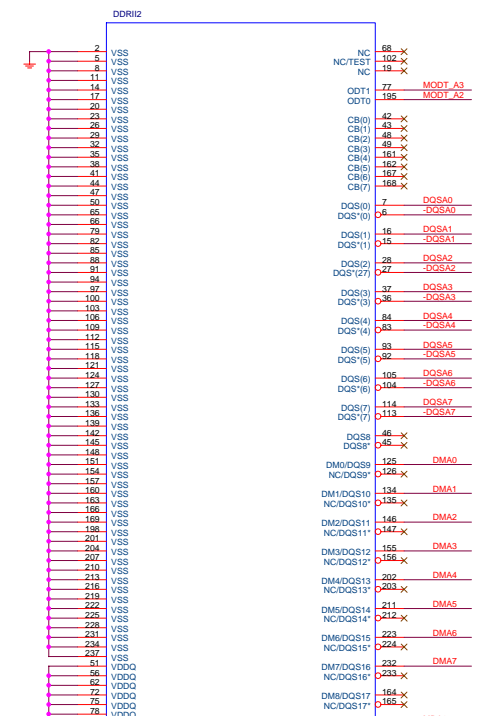
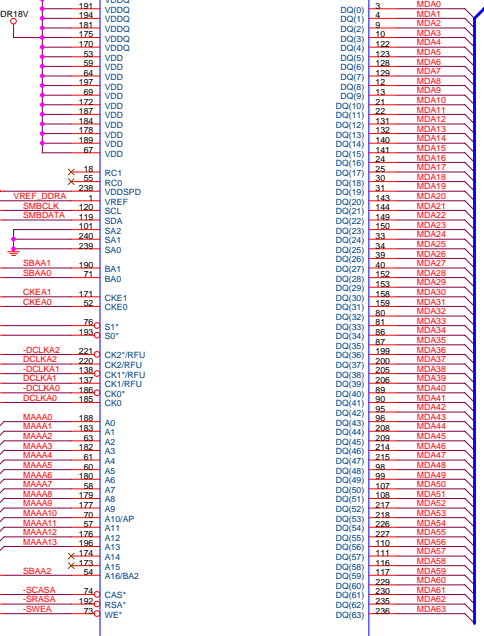
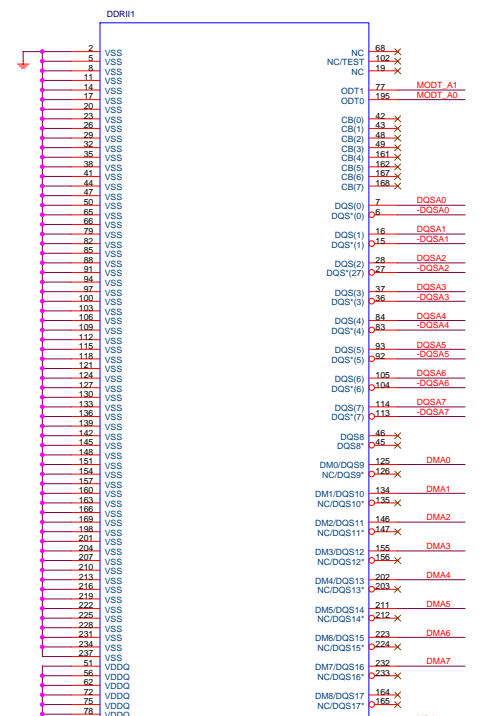
Size	Document Number	Rev
Custom	<b>81945AEF-RH</b>	<b>1.1</b>
Date:	Tuesday, November 29, 2005	Sheet 12 of 34

VCC1_5	N17	VCC	BB16	DDR18V		
	P18	VCC	AW15			
	P19	VCC	BB42			
	P20	VCC	BB43			
	P21	VCC	BC18			
	AA22	VCC	VCCSM	BC22		
	AB21	VCC	VCCSM	BC22		
	AB22	VCC	VCCSM	BC26		
	AB23	VCC	VCCSM	BB20		
	AC22	VCC	VCCSM	AW24		
	AD14	VCC	VCCSM	BB26		
	AF6	VCC	VCCSM	BC31		
	AF7	VCC	VCCSM	BB38		
	AF8	VCC	VCCSM	BB33		
	AF9	VCC	VCCSM	BB28		
	AF10	VCC	VCCSM	BB24		
	AF11	VCC	VCCSM	AW25		
	AF12	VCC	VCCSM	AW31		
	AF13	VCC	VCCSM	AW34		
	AF14	VCC	VCCSM	AX41		
	AG30	VCC	VCCSM	AW42		
	AG2	VCC	VCCSM	AV23		
	AG3	VCC	VCCSM	AV18		
	AG4	VCC	VCCSM	BC40		
	AG5	VCC	VCCSM	AW38		
	AG6	VCC	VCCSM	AX43		
	AG7	VCC	VCCSM	AW20		
	AG8	VCC	VCCSM	AW12		
	AG9	VCC	VCCSM	AW13		
	AG10	VCC	VCCSM	AW21		
	AG11	VCC				
	AG12	VCC				
	AG13	VCC				
	AG14	VCC				
	AH1	VCC	VTT	C23	VTT_GMCH	
	AH2	VCC	VTT	G23		
	AH3	VCC	VTT	P23		
	AH4	VCC	VTT	E23		
	AJ5	VCC	VTT	D23		
	AJ13	VCC	VTT	D24		
	AJ14	VCC	VTT	D25		
	AK3	VCC	VTT	B25		
	AK4	VCC	VTT	B24		
	AK14	VCC	VTT	B26		
	AK15	VCC	VTT	H23		
	AK20	VCC	VTT	E23		
	R17	VCC	VTT	K23		
	R18	VCC	VTT	L23		
	R20	VCC	VTT	M23		
	R21	VCC	VTT	E24		
	R23	VCC	VTT	N23		
	R24	VCC	VTT	A24		
	U15	VCC	VTT	F23		
	U17	VCC	VTT	E27		
	U18	VCC	VTT	E26		
	U19	VCC	VTT	C25		
	U20	VCC	VTT	C26		
	U21	VCC				
	U22	VCC				
	U23	VCC				
	U24	VCC				
	U25	VCC				
	U26	VCC				
	V15	VCC	VCCA_DPLL	B19	VCCA_DPLL	
	V17	VCC	VCCA_DPLL	B20	VCCA_MPLL	
	V18	VCC	VCCA_DPLL	C21	VCCA_HPLL	
	V19	VCC	VCCA_DPLL	C19	VCCA_DPLL	
	V20	VCC	VCCA_DPLL	B18	DDR25V_DAC	
	V21	VCC	VCCA_DPLL	C18		
	V22	VCC	VCCA_DPLL	D18		
	V23	VCC	VCCA_DPLL	B17	VCCA_GPLL	DDR25V_MCH
	V25	VCC	VCCA_DPLL	A18		
	V27	VCC	VCCA_DPLL			
	W17	VCC	VCCA_DPLL			
	W18	VCC	VCCA_DPLL			
	W19	VCC	VCCA_DPLL			
	W20	VCC	VCCA_DPLL			
	W22	VCC	VCCA_DPLL			
	W24	VCC	VCCA_DPLL			
	W26	VCC	VCCA_DPLL			
	W27	VCC	VCCA_DPLL			
	Y15	VCC	VCCA_DPLL			
	Y17	VCC	VCCA_DPLL			
	Y18	VCC	VCCA_DPLL			
	Y19	VCC	VCCA_DPLL			
	Y21	VCC	VCCA_DPLL			
	Y23	VCC	VCCA_DPLL			
	Y25	VCC	VCCA_DPLL			
	Y27	VCC	VCCA_DPLL			
	AA15	VCC	VCCA_DPLL			
	AA17	VCC	VCCA_DPLL			
	AA18	VCC	VCCA_DPLL			
	AA19	VCC	VCCA_DPLL			
	AA20	VCC	VCCA_DPLL			
	AA24	VCC	VCCA_DPLL			
	AA26	VCC	VCCA_DPLL			
	AB17	VCC	VCCA_DPLL			
	AB18	VCC	VCCA_DPLL			
	AB19	VCC	VCCA_DPLL			
	AB20	VCC	VCCA_DPLL			
	AB24	VCC	VCCA_DPLL			
	AB25	VCC	VCCA_DPLL			
	AB26	VCC	VCCA_DPLL			
	AB27	VCC	VCCA_DPLL			
	AC15	VCC	VCCA_DPLL			
	AC17	VCC	VCCA_DPLL			
	AC18	VCC	VCCA_DPLL			
	AC20	VCC	VCCA_DPLL			
	AC24	VCC	VCCA_DPLL			
	AC26	VCC	VCCA_DPLL			
	AC27	VCC	VCCA_DPLL			
	AD15	VCC	VCCA_DPLL			
	AD17	VCC	VCCA_DPLL			
	AD19	VCC	VCCA_DPLL			
	AD21	VCC	VCCA_DPLL			
	AD23	VCC	VCCA_DPLL			
	AD25	VCC	VCCA_DPLL			
	AD26	VCC	VCCA_DPLL			
	AE17	VCC	VCCA_DPLL			
	AE18	VCC	VCCA_DPLL			
	AE20	VCC	VCCA_DPLL			
	AE22	VCC	VCCA_DPLL			
	AE24	VCC	VCCA_DPLL			
	AE26	VCC	VCCA_DPLL			
	AE27	VCC	VCCA_DPLL			
	AE15	VCC	VCCA_DPLL			
	AE17	VCC	VCCA_DPLL			
	AE19	VCC	VCCA_DPLL			
	AE21	VCC	VCCA_DPLL			
	AE23	VCC	VCCA_DPLL			
	AE25	VCC	VCCA_DPLL			
	AE26	VCC	VCCA_DPLL			
	AE27	VCC	VCCA_DPLL			
	AG15	VCC	VCCA_DPLL			
	AG17	VCC	VCCA_DPLL			
	AG19	VCC	VCCA_DPLL			
	AG21	VCC	VCCA_DPLL			
	AG22	VCC	VCCA_DPLL			
	AG23	VCC	VCCA_DPLL			
	AG24	VCC	VCCA_DPLL			
	AJ15	VCC	VCCA_DPLL			
	AJ17	VCC	VCCA_DPLL			
	AJ18	VCC	VCCA_DPLL			
	AJ20	VCC	VCCA_DPLL			

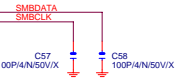
945G/A2ACER[10HB1-033000-23R]

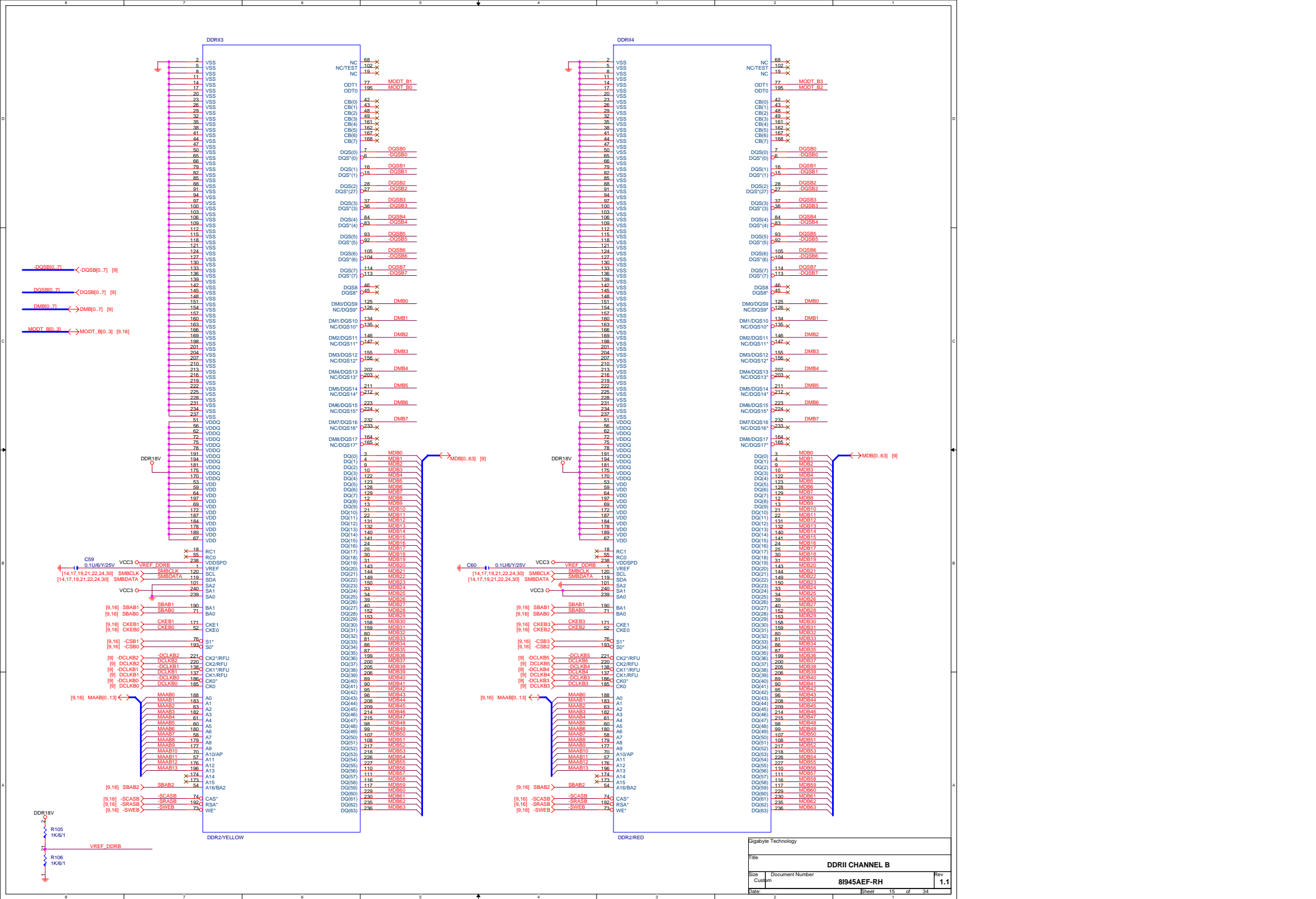


<b>Gigabyte Technology</b>			
Title: GMCH-PWR			
Size: Custom	Document Number: 81945AEF-RH	Rev: 1.1	
Date: Tuesday, November 29, 2005	Sheet: 13	of: 34	



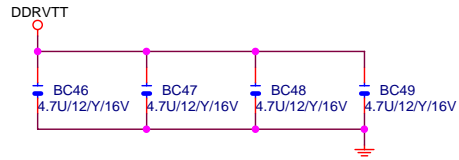
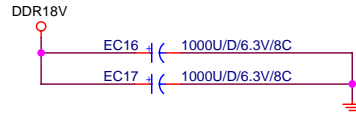
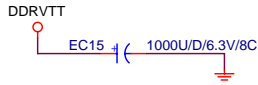
Sigabyte Technology	
Title	
<b>DDRII CHANNEL A</b>	
Size	Document Number
Customer	<b>81945AEF-RH</b>
Date	Rev
	<b>1.1</b>



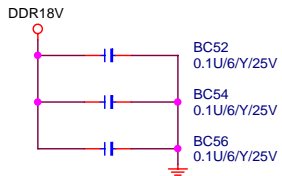


# DDR TERMINATION CHANNEL A

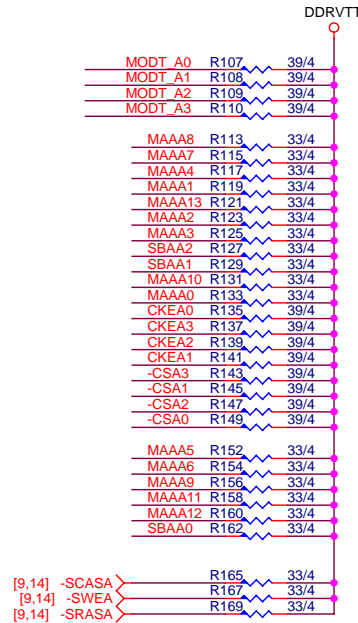
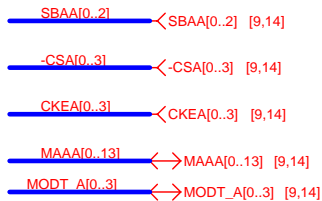
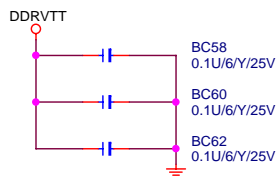
## DDRVTT Decouple



## DDR18V Decouple

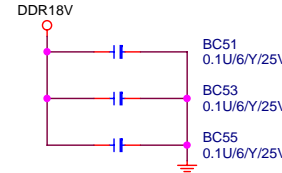


## DDRVTT Decouple

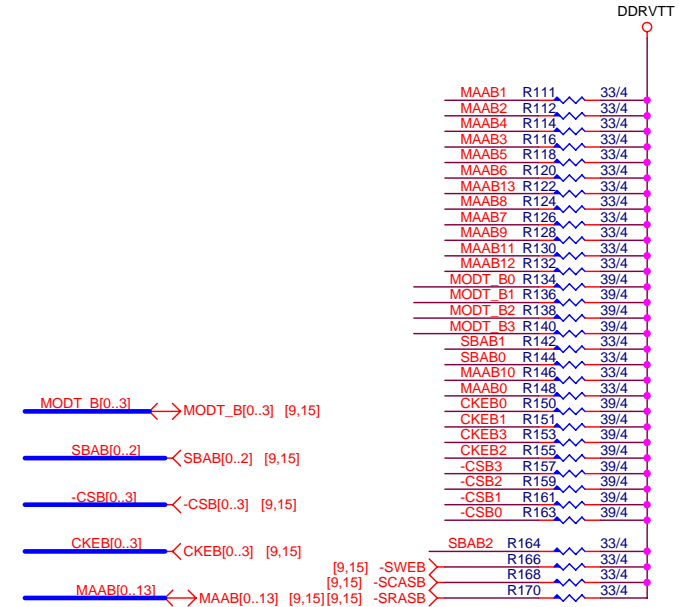
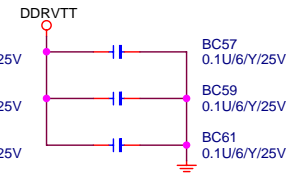


# DDR TERMINATION CHANNEL B

## DDR18V Decouple



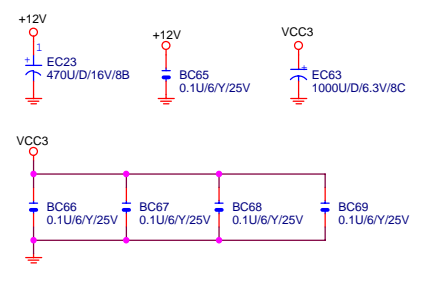
## DDRVTT Decouple



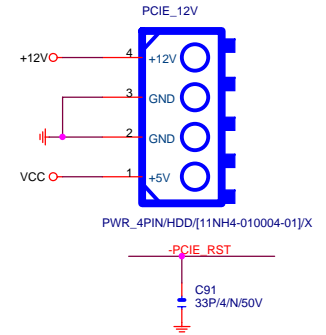
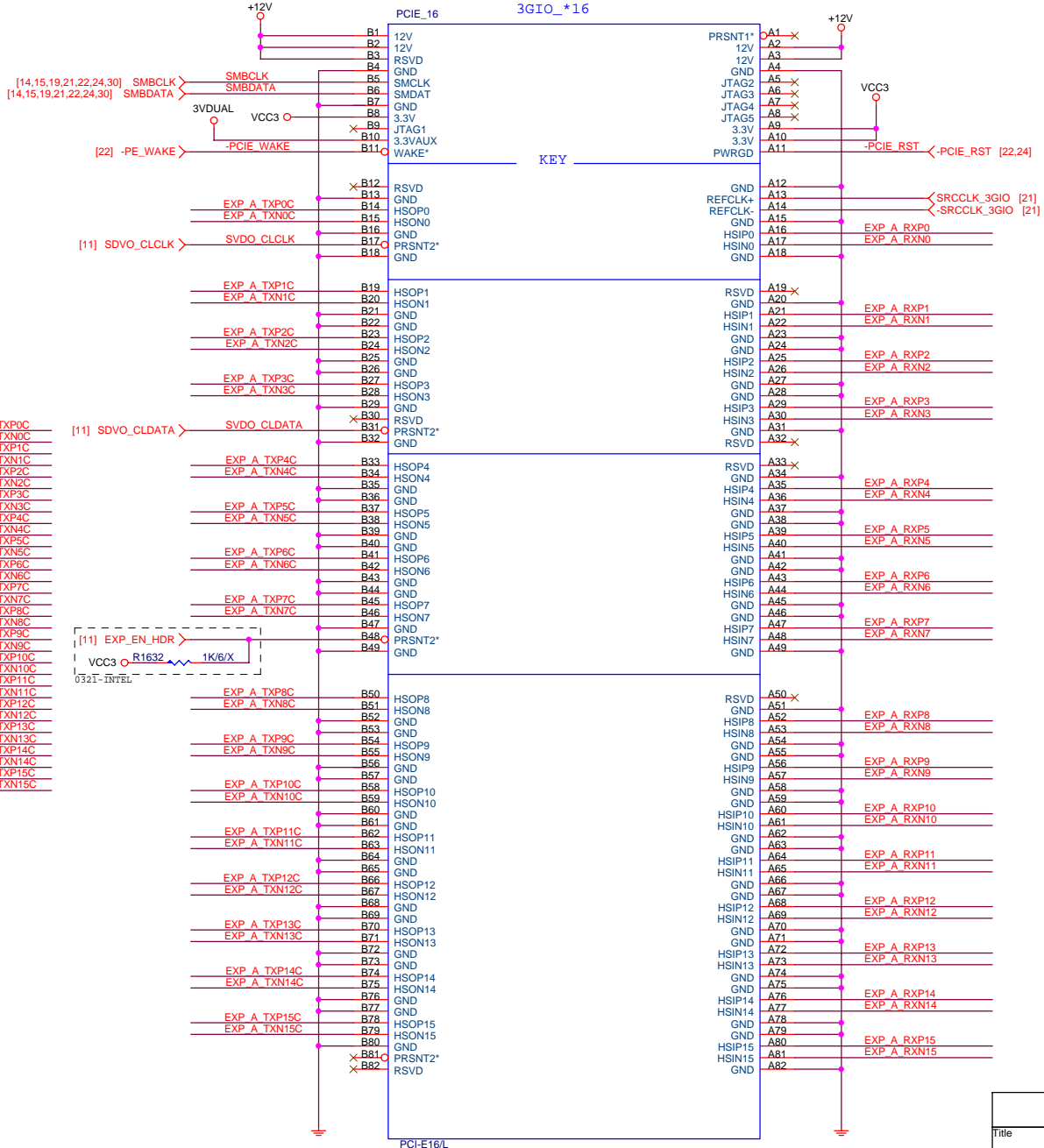
Gigabyte Technology

Title		
DDRII TERMINATOR		
Size	Document Number	Rev
Custom	8I945AEF-RH	1.1
Date:	Tuesday, November 29, 2005	Sheet 16 of 34





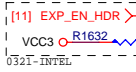
PCIESLOT-164DN-2



EXP A TXP[0..15] >>> EXP\_A\_TXP[0..15] [10]  
 EXP A TXN[0..15] >>> EXP\_A\_TXN[0..15] [10]

EXP A RXP[0..15] >>> EXP\_A\_RXP[0..15] [10]  
 EXP A RXN[0..15] >>> EXP\_A\_RXN[0..15] [10]

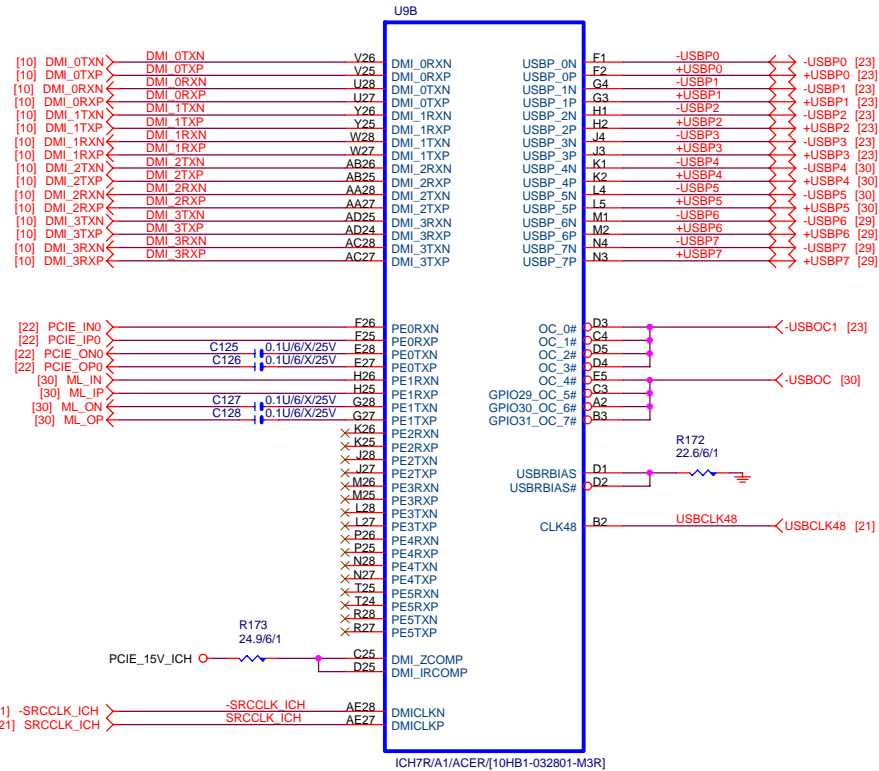
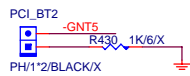
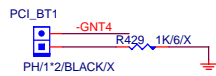
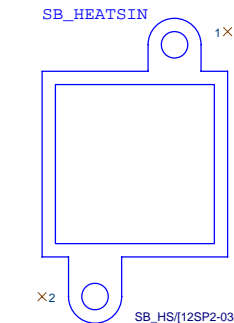
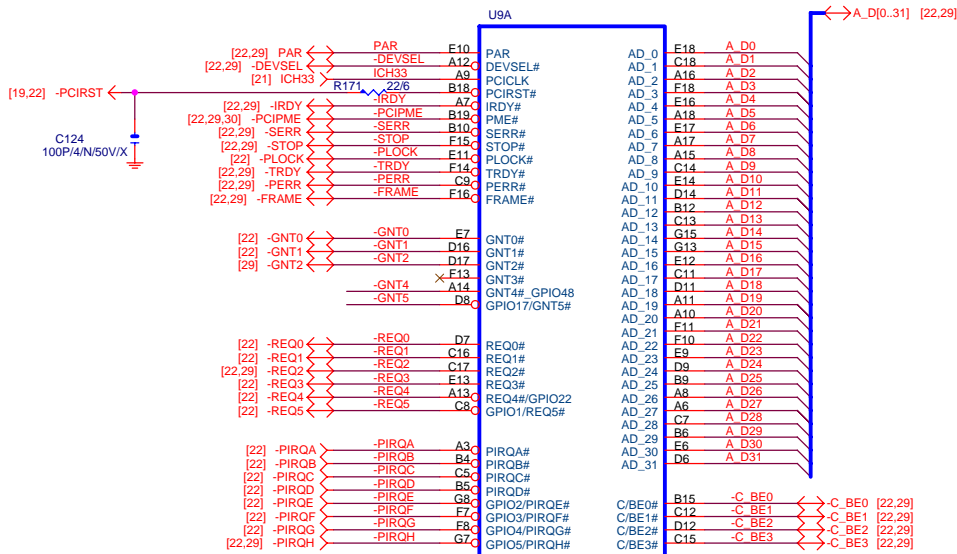
EXP A TXP0	C92	0.1U/6V/25V	EXP A TXP0C
EXP A TXN0	C93	0.1U/6V/25V	EXP A TXN0C
EXP A TXP1	C94	0.1U/6V/25V	EXP A TXP1C
EXP A TXN1	C95	0.1U/6V/25V	EXP A TXN1C
EXP A TXP2	C96	0.1U/6V/25V	EXP A TXP2C
EXP A TXN2	C97	0.1U/6V/25V	EXP A TXN2C
EXP A TXP3	C98	0.1U/6V/25V	EXP A TXP3C
EXP A TXN3	C99	0.1U/6V/25V	EXP A TXN3C
EXP A TXP4	C100	0.1U/6V/25V	EXP A TXP4C
EXP A TXN4	C101	0.1U/6V/25V	EXP A TXN4C
EXP A TXP5	C102	0.1U/6V/25V	EXP A TXP5C
EXP A TXN5	C103	0.1U/6V/25V	EXP A TXN5C
EXP A TXP6	C104	0.1U/6V/25V	EXP A TXP6C
EXP A TXN6	C105	0.1U/6V/25V	EXP A TXN6C
EXP A TXP7	C106	0.1U/6V/25V	EXP A TXP7C
EXP A TXN7	C107	0.1U/6V/25V	EXP A TXN7C
EXP A TXP8	C108	0.1U/6V/25V	EXP A TXP8C
EXP A TXN8	C109	0.1U/6V/25V	EXP A TXN8C
EXP A TXP9	C110	0.1U/6V/25V	EXP A TXP9C
EXP A TXN9	C111	0.1U/6V/25V	EXP A TXN9C
EXP A TXP10	C112	0.1U/6V/25V	EXP A TXP10C
EXP A TXN10	C113	0.1U/6V/25V	EXP A TXN10C
EXP A TXP11	C114	0.1U/6V/25V	EXP A TXP11C
EXP A TXN11	C115	0.1U/6V/25V	EXP A TXN11C
EXP A TXP12	C116	0.1U/6V/25V	EXP A TXP12C
EXP A TXN12	C117	0.1U/6V/25V	EXP A TXN12C
EXP A TXP13	C118	0.1U/6V/25V	EXP A TXP13C
EXP A TXN13	C119	0.1U/6V/25V	EXP A TXN13C
EXP A TXP14	C120	0.1U/6V/25V	EXP A TXP14C
EXP A TXN14	C121	0.1U/6V/25V	EXP A TXN14C
EXP A TXP15	C122	0.1U/6V/25V	EXP A TXP15C
EXP A TXN15	C123	0.1U/6V/25V	EXP A TXN15C

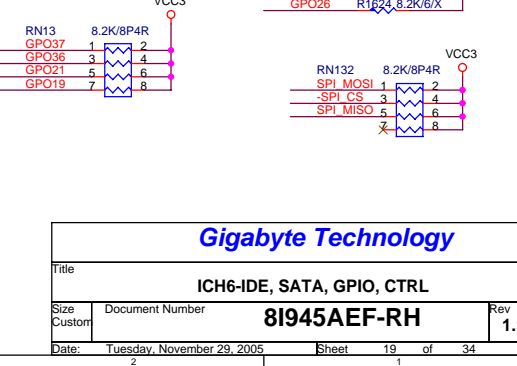
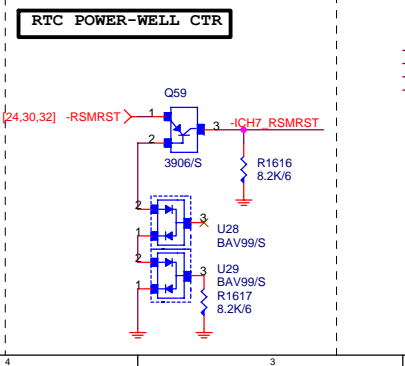
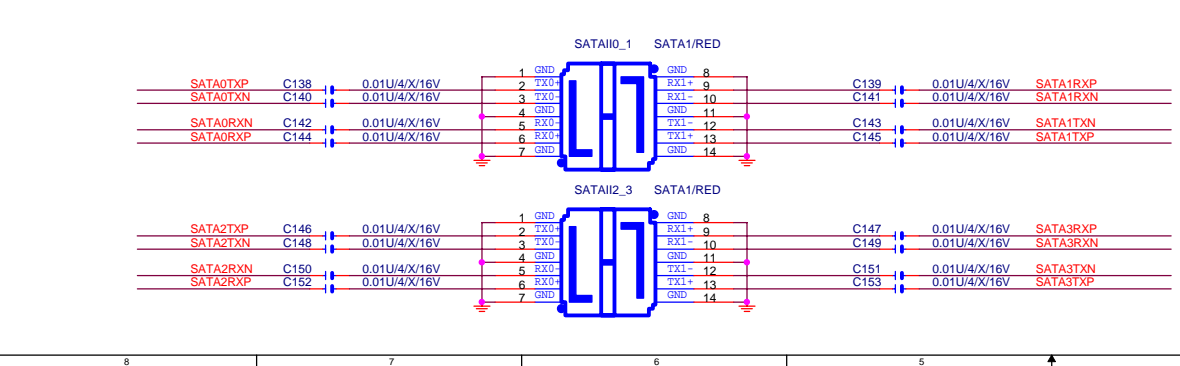
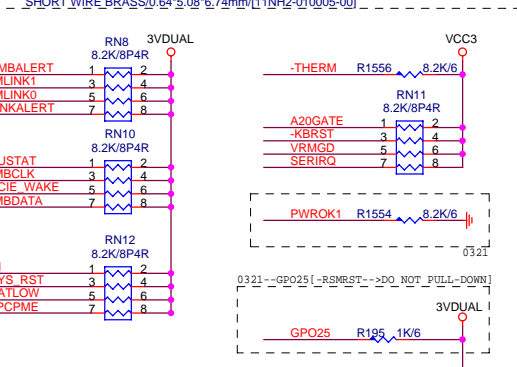
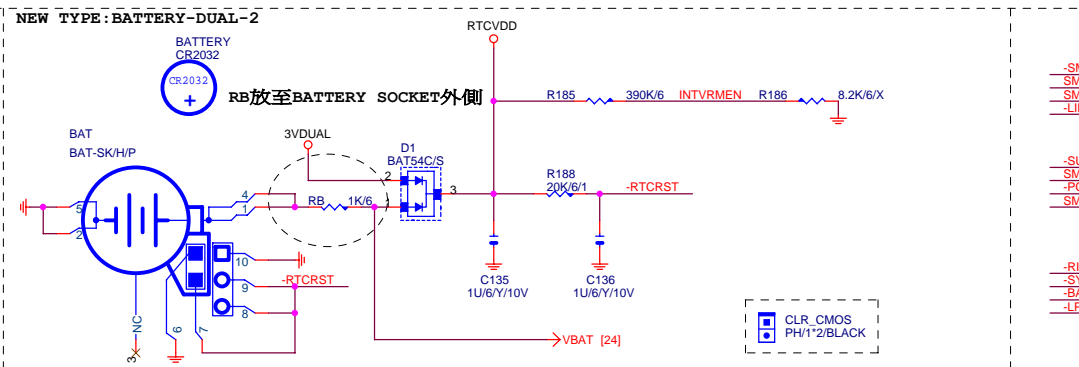
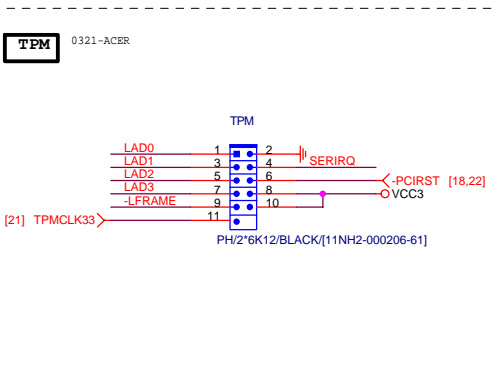
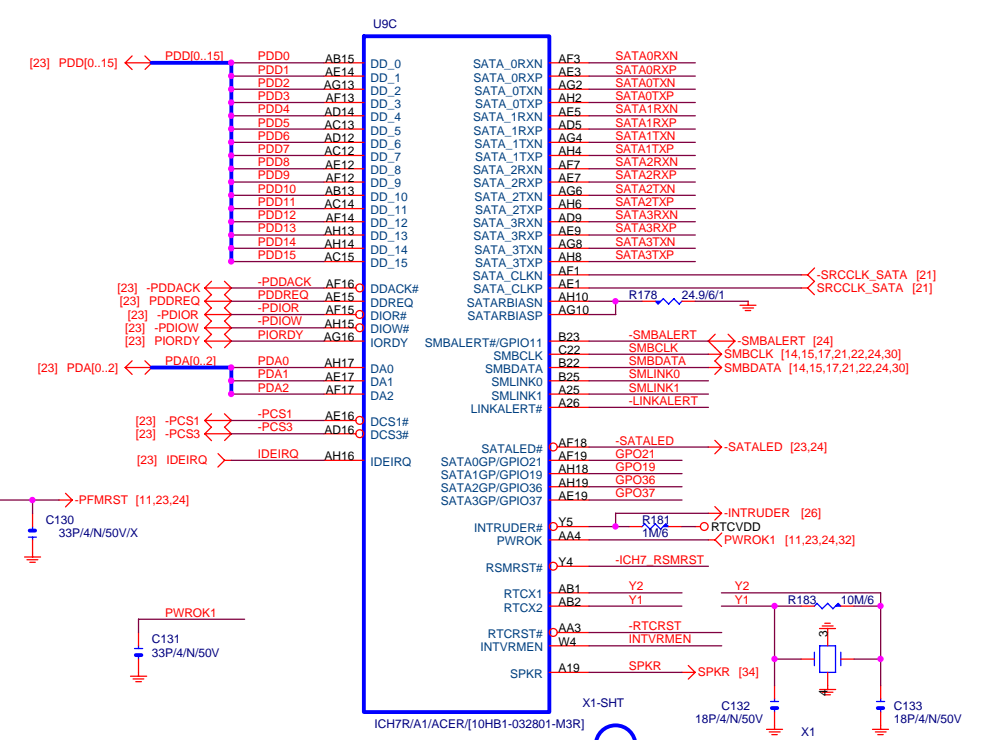
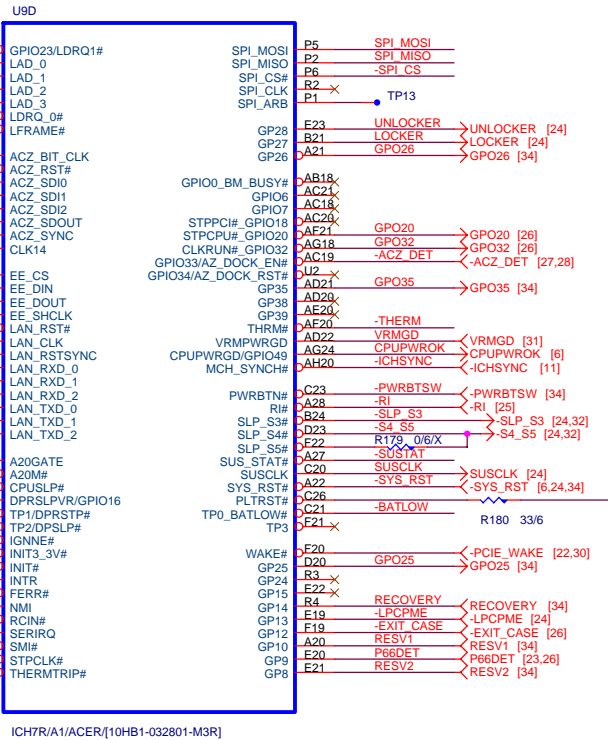


**Gigabyte Technology**

**PCI EXPRESS \* 16**

Title		Document Number		Rev
		<b>8I945AEF-RH</b>		<b>1.1</b>
Date:	Tuesday, November 29, 2005	Sheet	17	of 34



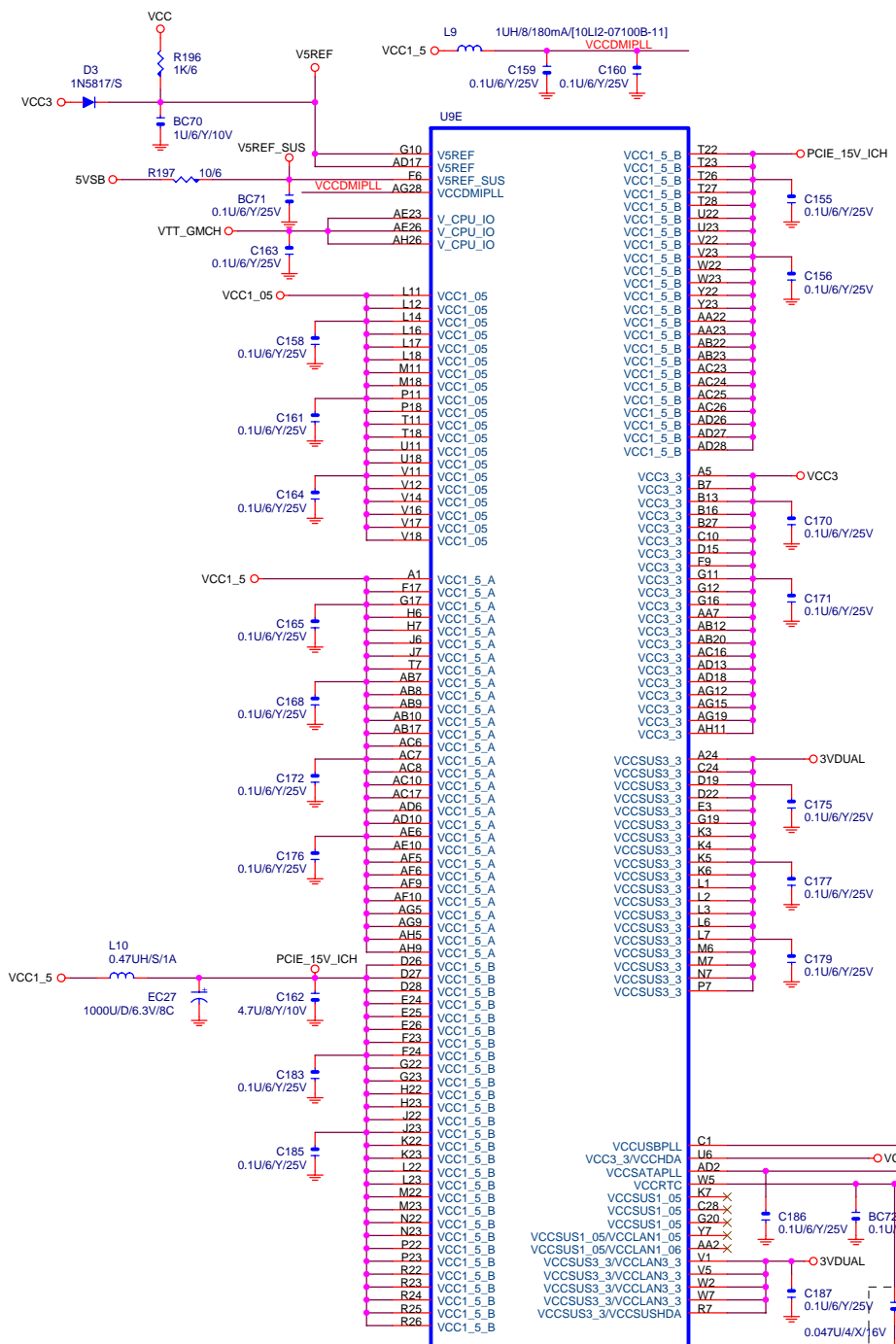


**Gigabyte Technology**

Title	ICH6-IDE, SATA, GPIO, CTRL		Rev	1.1
Size	Document Number	<b>8I945AEF-RH</b>		
Custom				
Date:	Tuesday, November 29, 2005	Sheet	19	of 34

U9F		
A4	VSS1	VSS101
A23	VSS2	VSS102
B1	VSS3	VSS103
B8	VSS4	VSS104
B11	VSS5	VSS105
B14	VSS6	VSS106
B17	VSS7	VSS107
B20	VSS8	VSS108
B26	VSS9	VSS109
B28	VSS10	VSS110
C2	VSS11	VSS111
C6	VSS12	VSS112
D10	VSS13	VSS113
D13	VSS14	VSS114
D18	VSS15	VSS115
D21	VSS16	VSS116
D24	VSS17	VSS117
F1	VSS18	VSS118
F2	VSS19	VSS119
F8	VSS20	VSS120
F15	VSS21	VSS121
F3	VSS22	VSS122
F4	VSS23	VSS123
F6	VSS24	VSS124
F12	VSS25	VSS125
F27	VSS26	VSS126
F28	VSS27	VSS127
G1	VSS28	VSS128
G2	VSS29	VSS129
G5	VSS30	VSS130
G6	VSS31	VSS131
G9	VSS32	VSS132
G14	VSS33	VSS133
G18	VSS34	VSS134
G21	VSS35	VSS135
G24	VSS36	VSS136
G25	VSS37	VSS137
G26	VSS38	VSS138
H3	VSS39	VSS139
H4	VSS40	VSS140
H5	VSS41	VSS141
H24	VSS42	VSS142
H27	VSS43	VSS143
H28	VSS44	VSS144
J1	VSS45	VSS145
J2	VSS46	VSS146
J5	VSS47	VSS147
J24	VSS48	VSS148
J25	VSS49	VSS149
J26	VSS50	VSS150
K24	VSS51	VSS151
K27	VSS52	VSS152
K28	VSS53	VSS153
L13	VSS54	VSS154
L15	VSS55	VSS155
L24	VSS56	VSS156
L25	VSS57	VSS157
L26	VSS58	VSS158
M3	VSS59	VSS159
M4	VSS60	VSS160
M5	VSS61	VSS161
M12	VSS62	VSS162
M13	VSS63	VSS163
M14	VSS64	VSS164
M15	VSS65	VSS165
M16	VSS66	VSS166
M17	VSS67	VSS167
M24	VSS68	VSS168
M27	VSS69	VSS169
M28	VSS70	VSS170
N1	VSS71	VSS171
N2	VSS72	VSS172
N5	VSS73	VSS173
N6	VSS74	VSS174
N11	VSS75	VSS175
N12	VSS76	VSS176
N13	VSS77	VSS177
N14	VSS78	VSS178
N15	VSS79	VSS179
N16	VSS80	VSS180
N17	VSS81	VSS181
N18	VSS82	VSS182
N24	VSS83	VSS183
N25	VSS84	VSS184
N26	VSS85	VSS185
P3	VSS86	VSS186
P4	VSS87	VSS187
P12	VSS88	VSS188
P13	VSS89	VSS189
P14	VSS90	VSS190
P15	VSS91	VSS191
P16	VSS92	VSS192
P17	VSS93	VSS193
P24	VSS94	VSS194
P27	VSS95	VSS195
P28	VSS96	VSS196
R1	VSS97	VSS197
R11	VSS98	VSS198
R12	VSS99	VSS199
R13	VSS100	VSS200

ICH7R/A1/ACER[10HB1-032801-M3R]



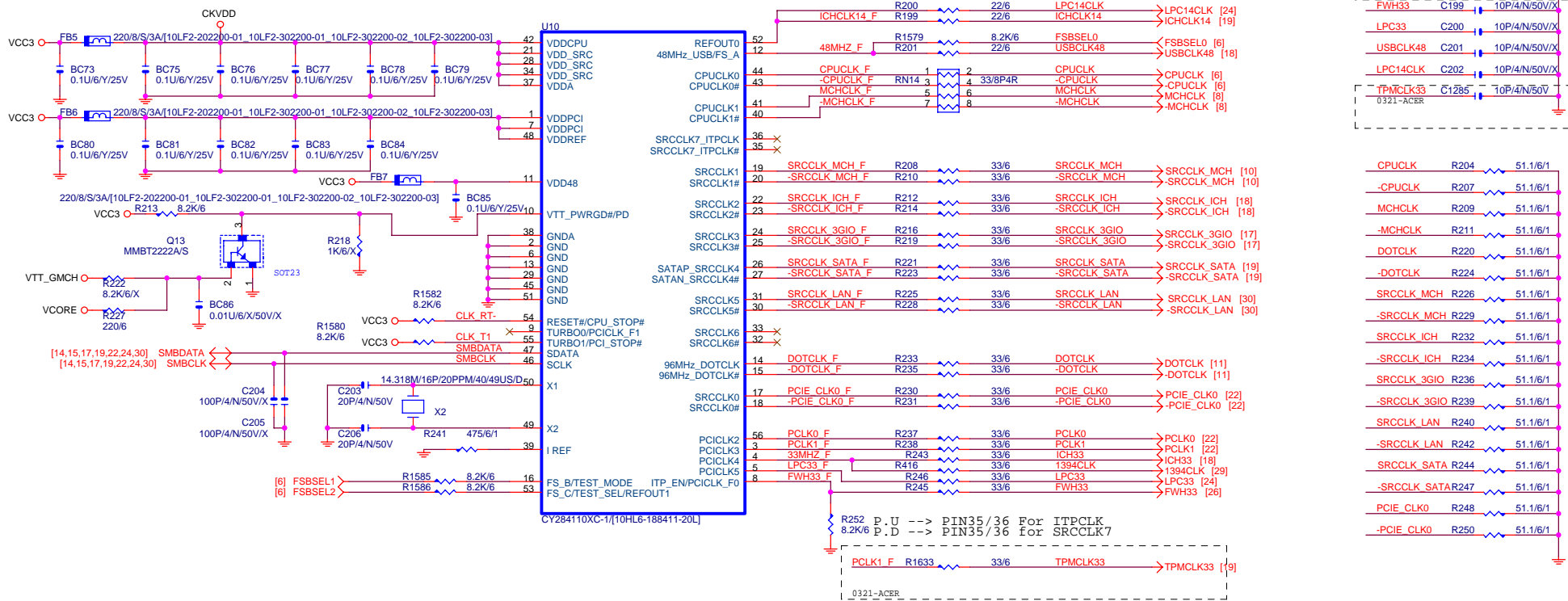
ICH7R/A1/ACER[10HB1-032801-M3R]



**Gigabyte Technology**

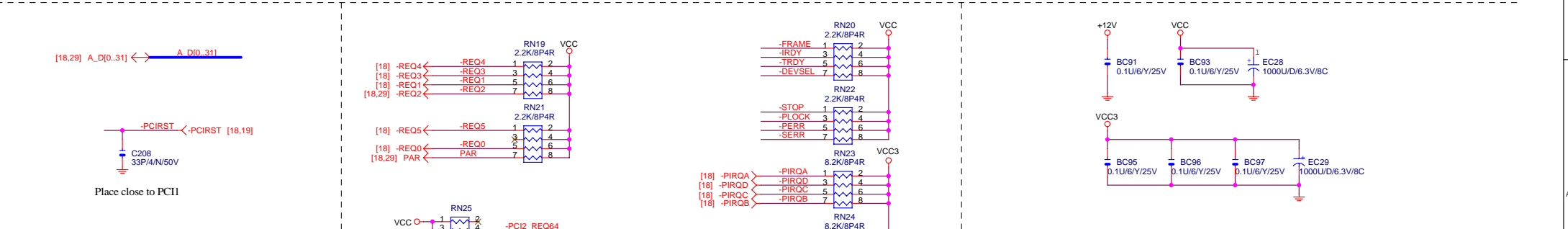
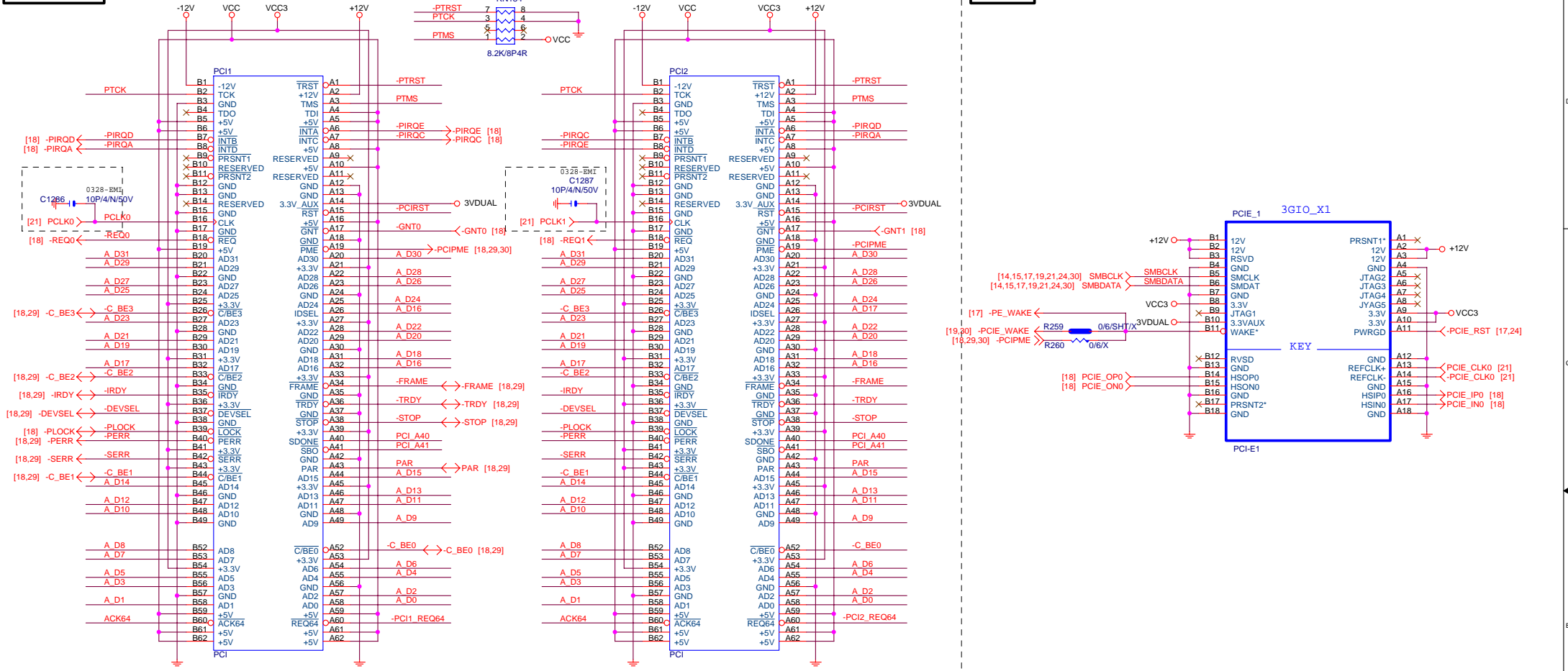
**ICH6-PWR & GND**

Title		ICH6-PWR & GND	
Size	Document Number	<b>81945AEF-RH</b>	
B		Rev <b>1.1</b>	
Date:	Tuesday, November 29, 2005	Sheet	20 of 34



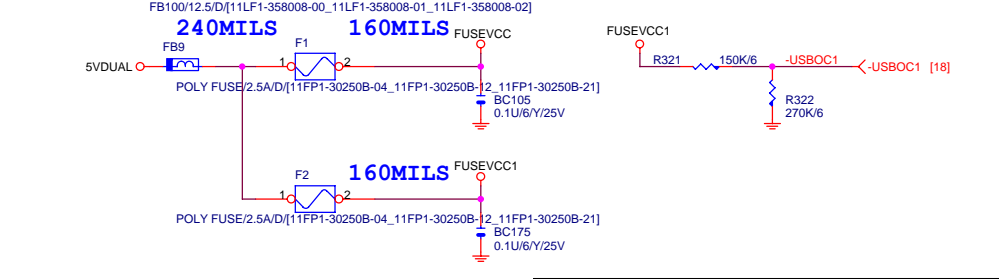
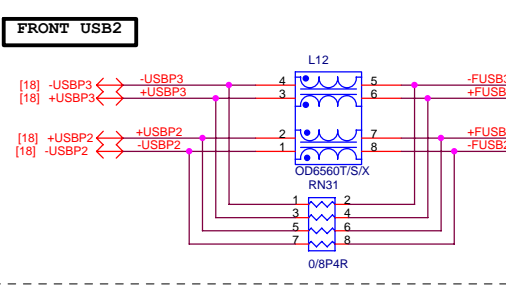
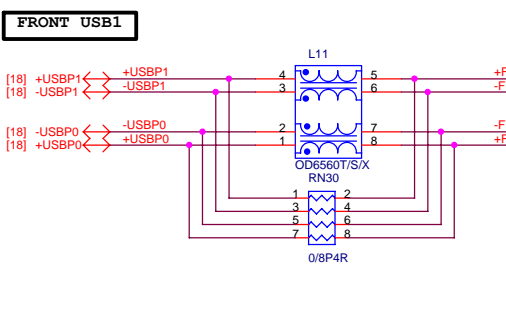
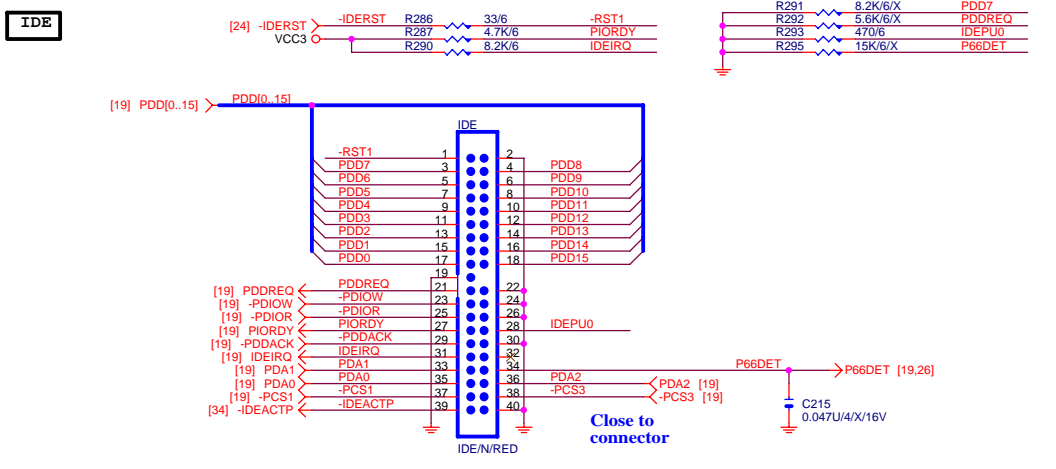
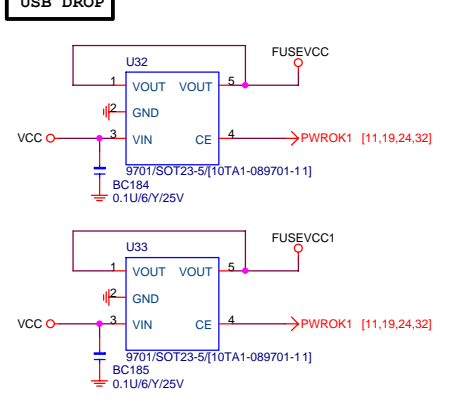
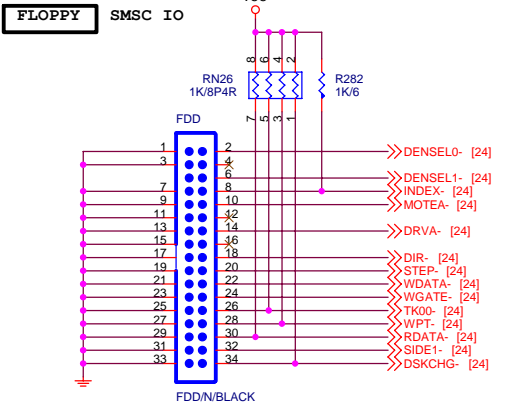
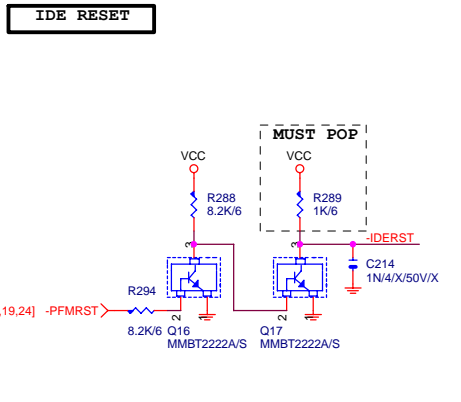
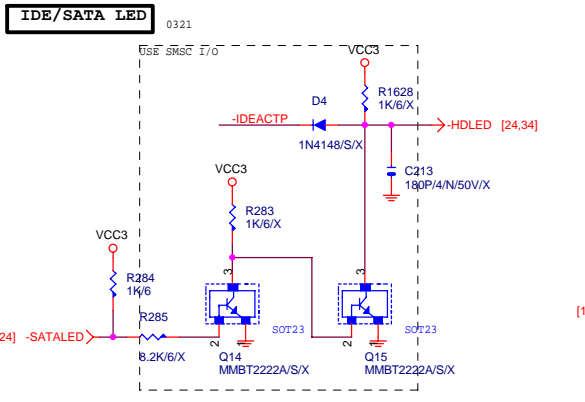
**PCI1, 2 SLOT**

**PCIe\*1**

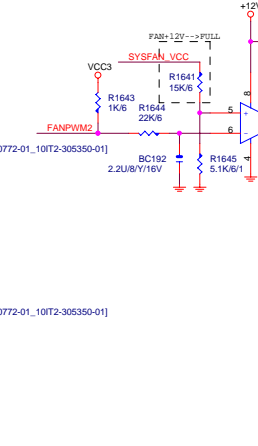
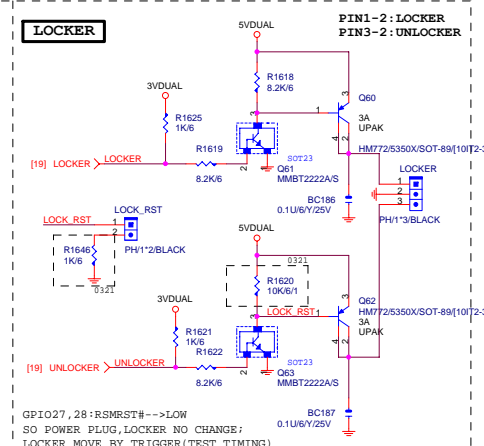
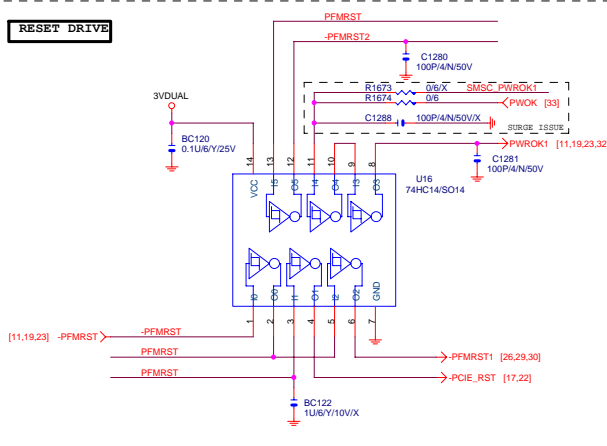
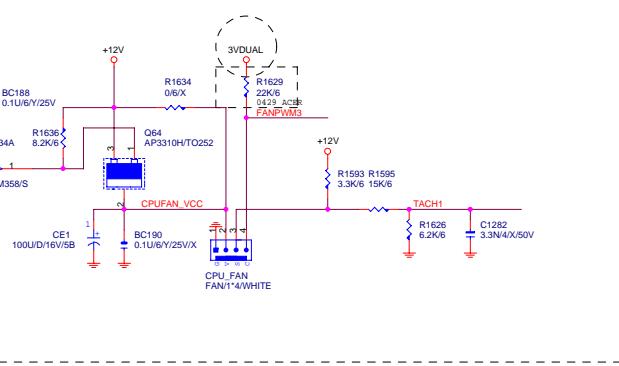
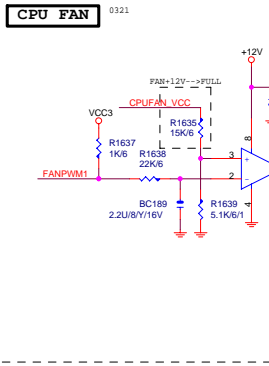
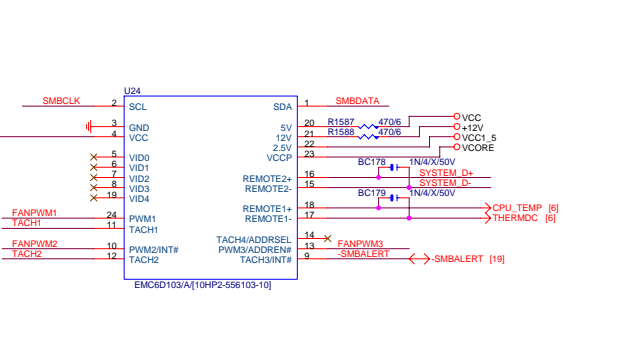
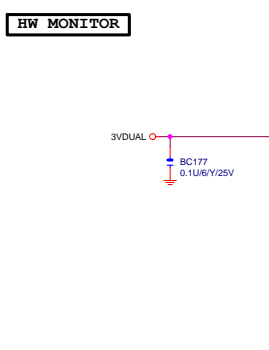
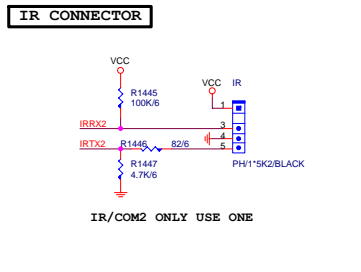
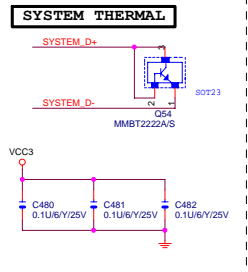
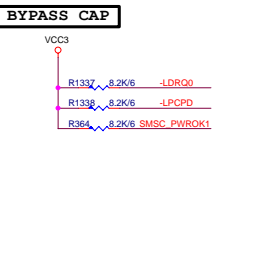
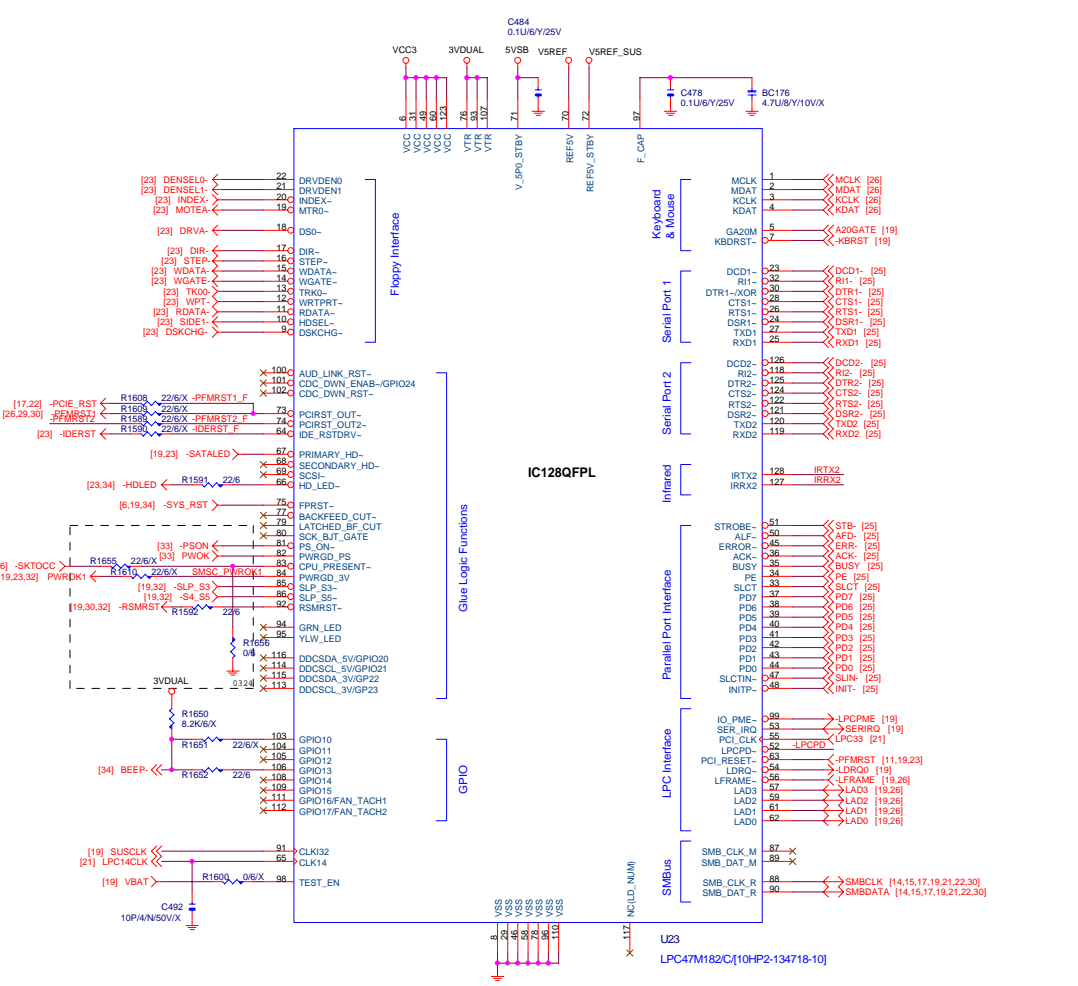


**Gigabyte Technology**

<b>PCI SLOT 1, 2/PCIEX1</b>		
<b>81945AEF-RH</b>		
Title		
Size	Document Number	Rev
Custom		<b>1.1</b>
Date:	Tuesday, November 29, 2005	Sheet 22 of 34



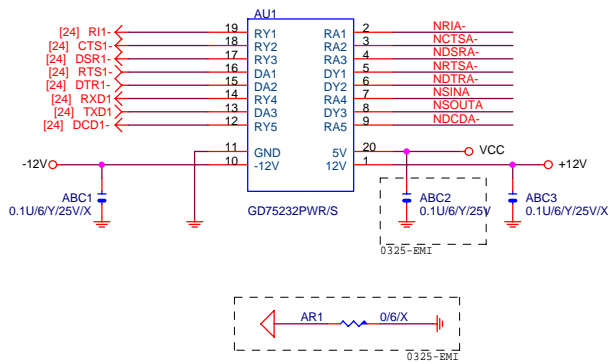
<b>Gigabyte Technology</b>		
<b>IDE</b>		
Title	<b>IDE</b>	
Size	Document Number	Rev
B	<b>81945AEF-RH</b>	<b>1.1</b>
Date:	Tuesday, November 29, 2005	Sheet 23 of 34



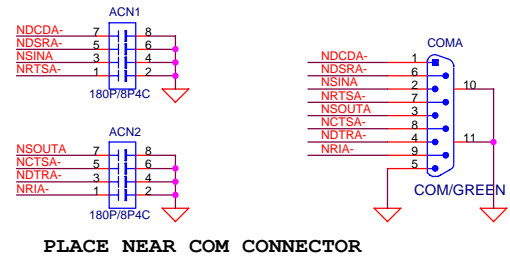
Gigabyte Technology			
File	SMSC LPC I/O		
Size	Document Number	81945AEF-RH	Rev 1.1
C	Date	Tuesday, November 29, 2005	Sheet 24 of 34



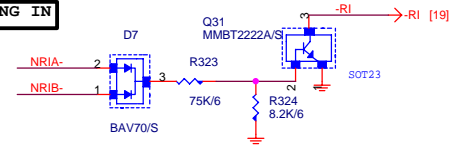
**COMA**



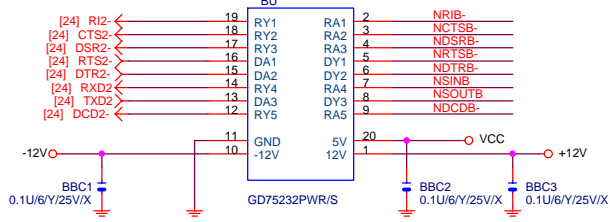
**EXTERNAL COMA**



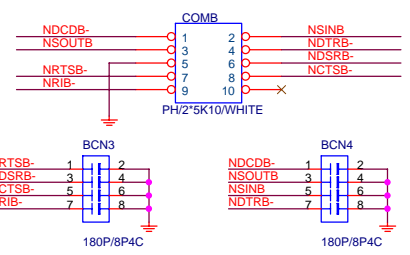
**RING IN**



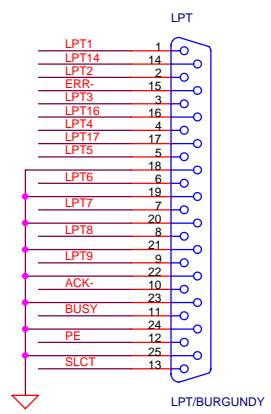
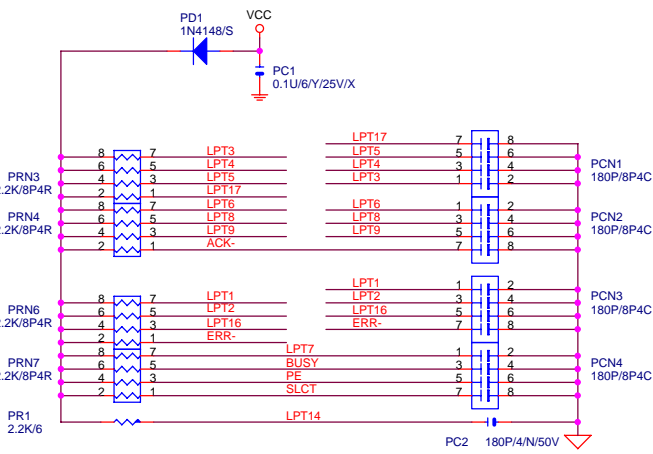
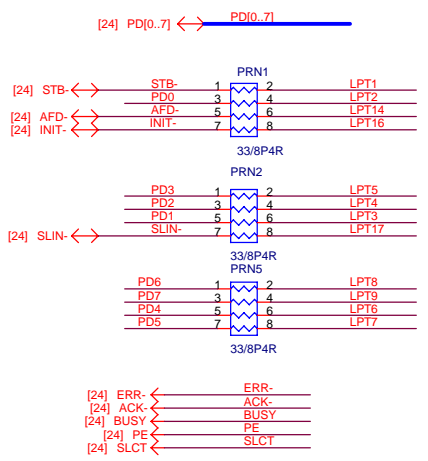
**COMB**



**INTERNAL COMB**

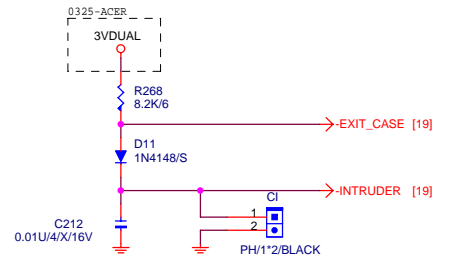


**LPT PORT**

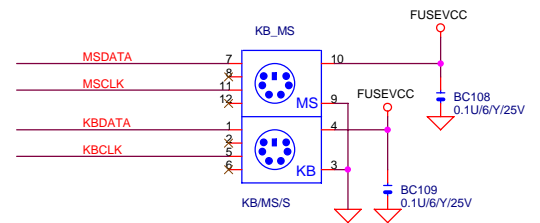
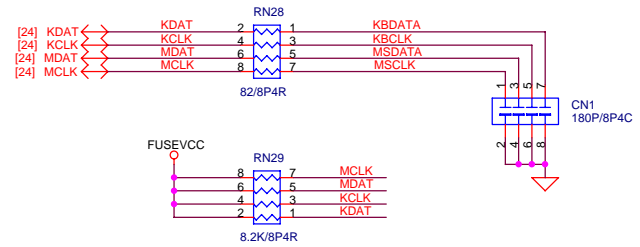


**CASE OPEN**

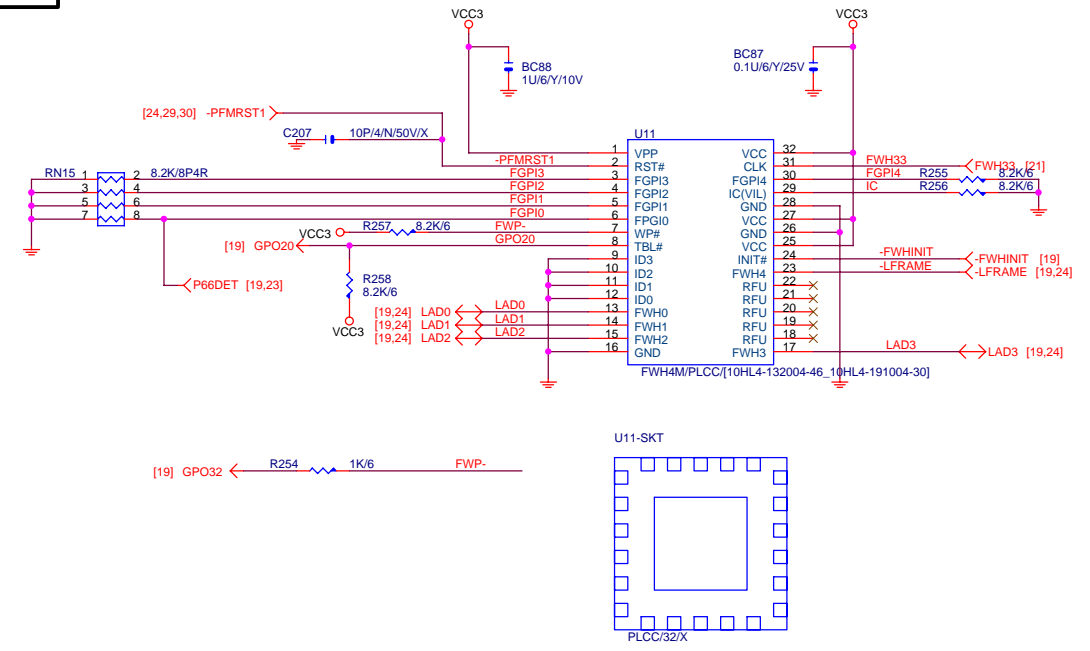
CASE OPEN=LOW;  
CASE CLOSE=HI;



**KB/MS**



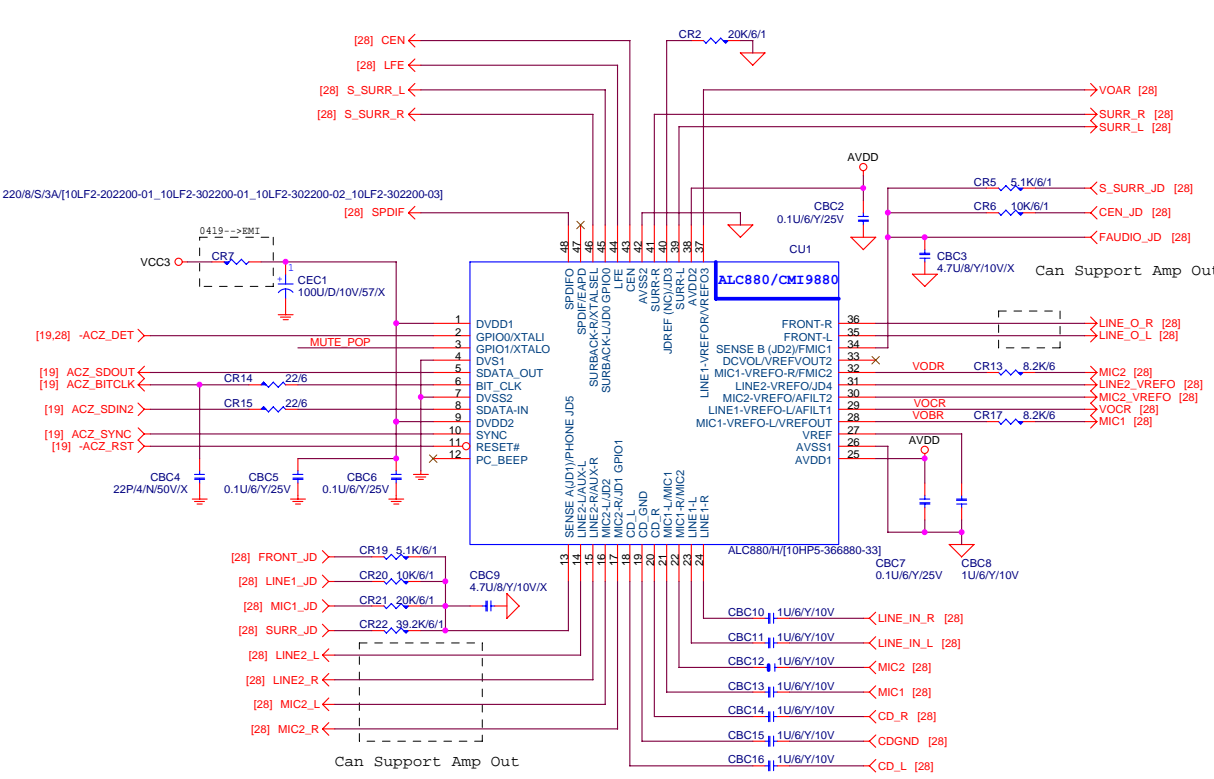
**FWM BIOS**



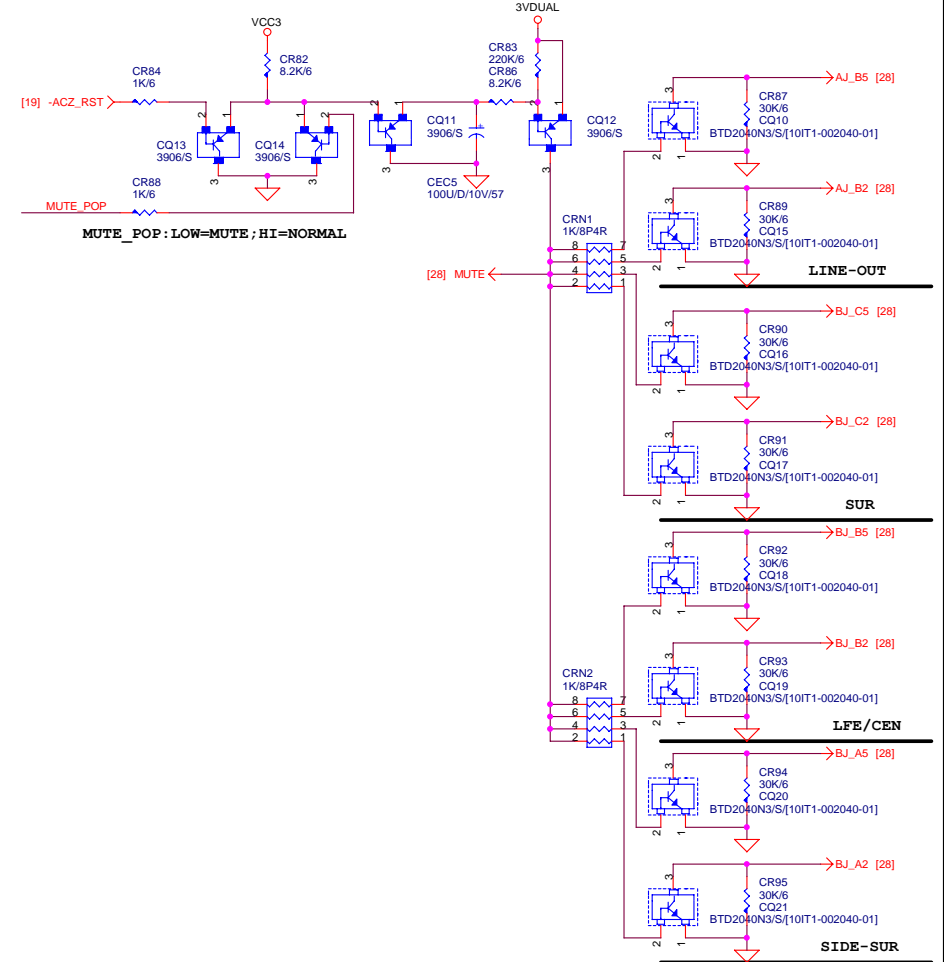
**Gigabyte Technology**

Title		<b>BIOS/HW-MONITOR/CI/KB/MS</b>	
Size	Document Number	<b>81945AEF-RH</b>	
B		Rev	<b>1.1</b>
Date:	Tuesday, November 29, 2005	Sheet	26 of 34

**AZALIA CODEC**



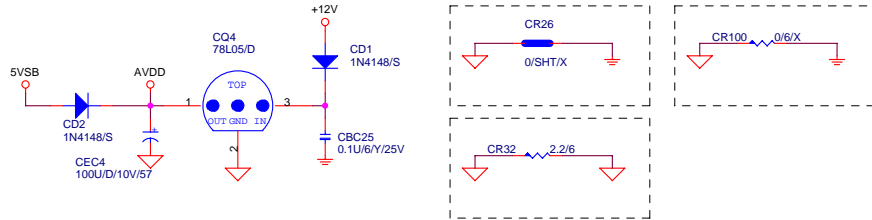
**ANTI-POP NOISE**



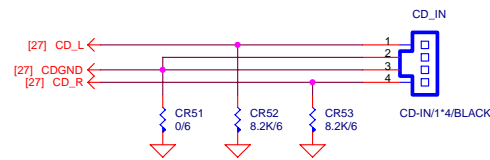
**Gigabyte Technology**

Title		
AC97 ALC658		
Size	Document Number	Rev
Custom	81945AEF-RH	1.1
Date:	Tuesday, November 29, 2005	Sheet 27 of 34

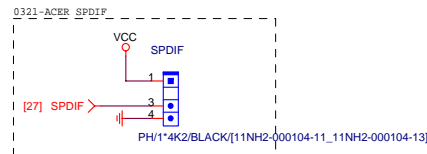
**CODEC POWER/EMI PAD**



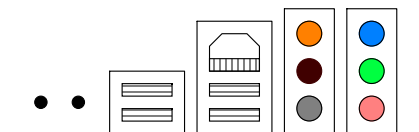
**CD IN**



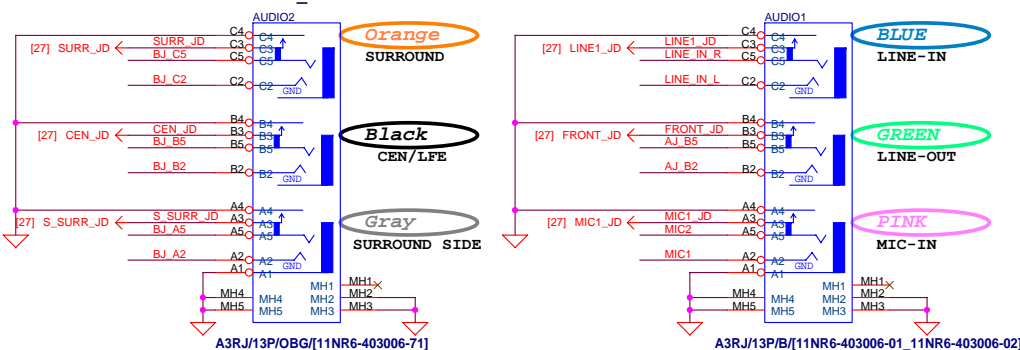
**SPDIF**



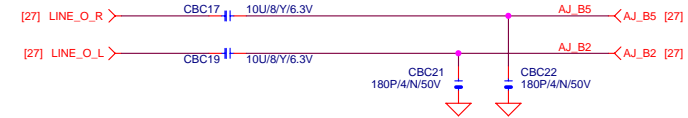
**AZALIA JACK ACER REQUEST CHANGE LOCTION**



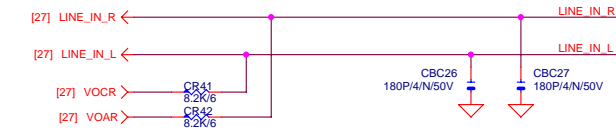
**0321 NEW TYPE: IBM\_AUDIO-13P-1**



**LINE-OUT**



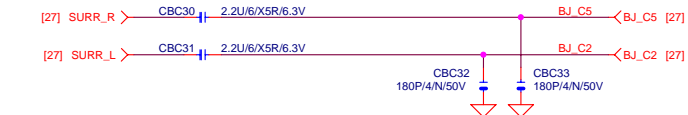
**LINE-IN**



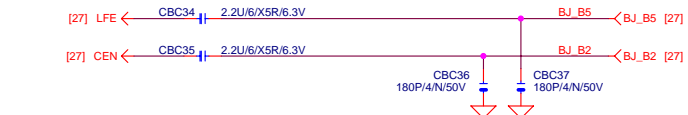
**MIC-IN**



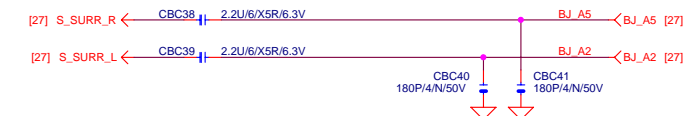
**SURROUND**



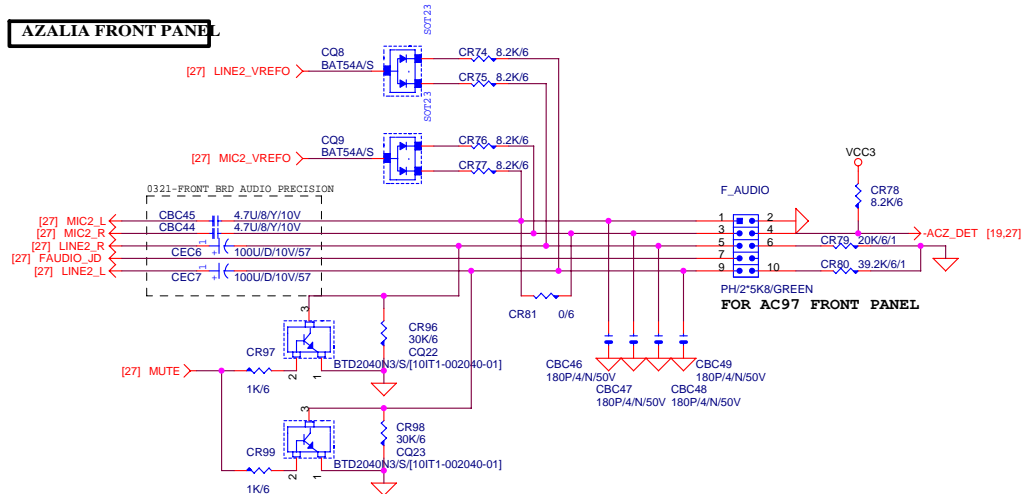
**CEN/LFE**



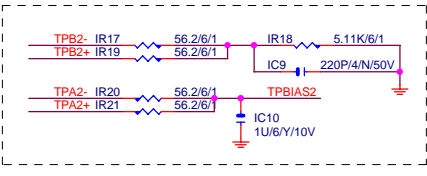
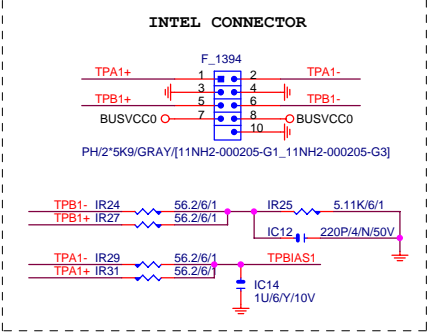
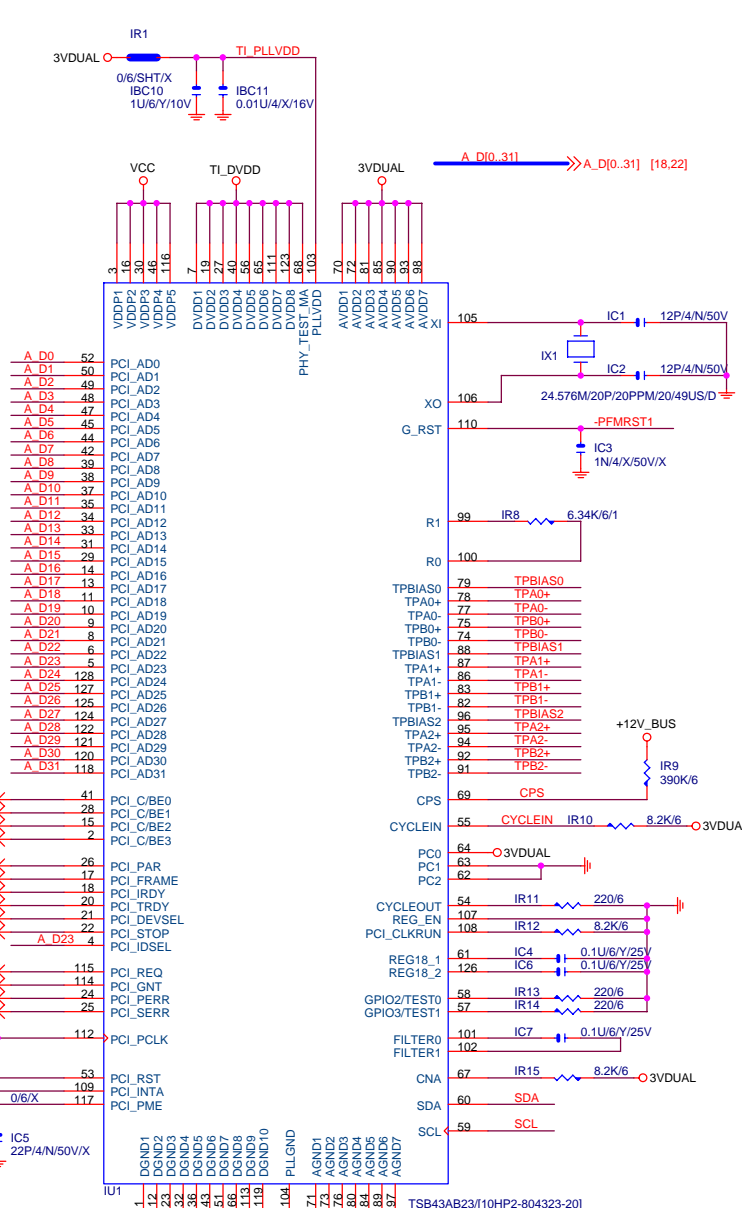
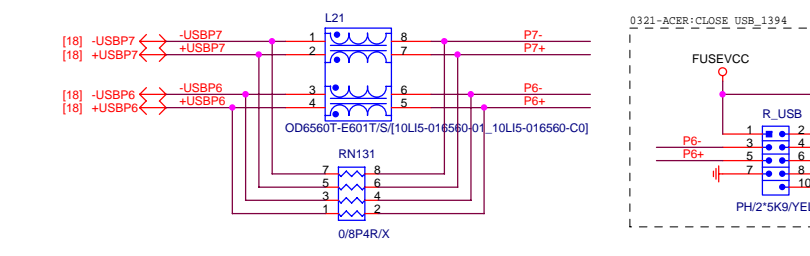
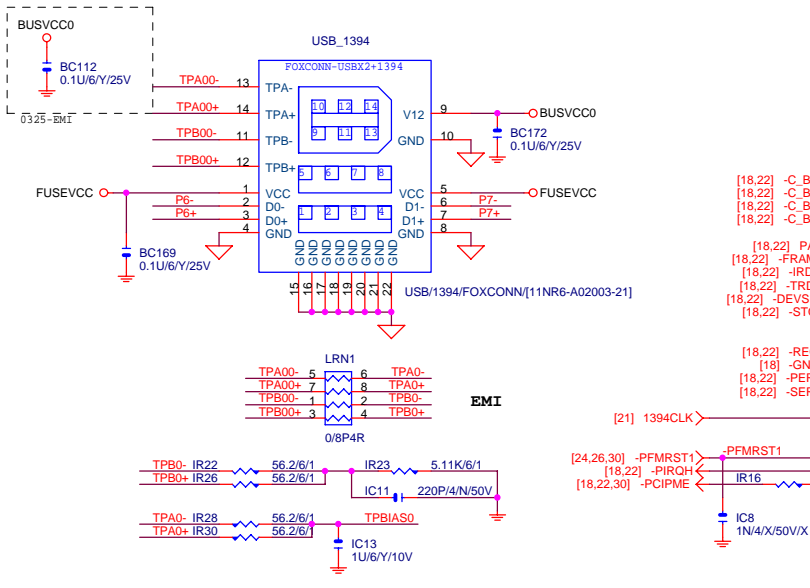
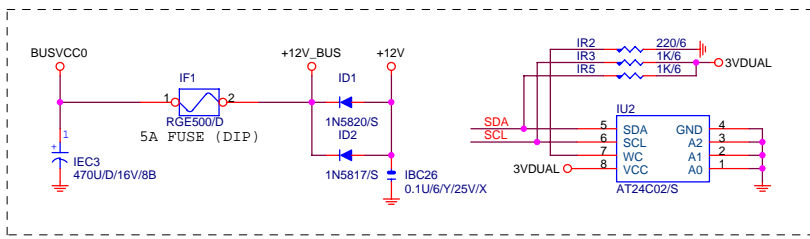
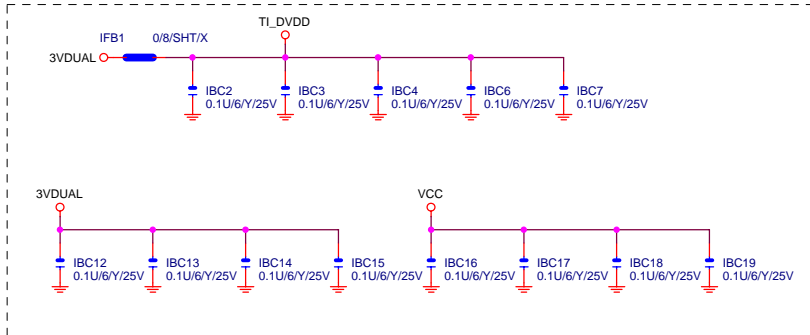
**SURR BACK**



**AZALIA FRONT PANEL**



<b>Gigabyte Technology</b>		
<b>AUDIO JACK</b>		
Document Number		Rev
<b>8I945AEF-RH</b>		<b>1.1</b>
Date:	Tuesday, November 29, 2005	Sheet 28 of 34

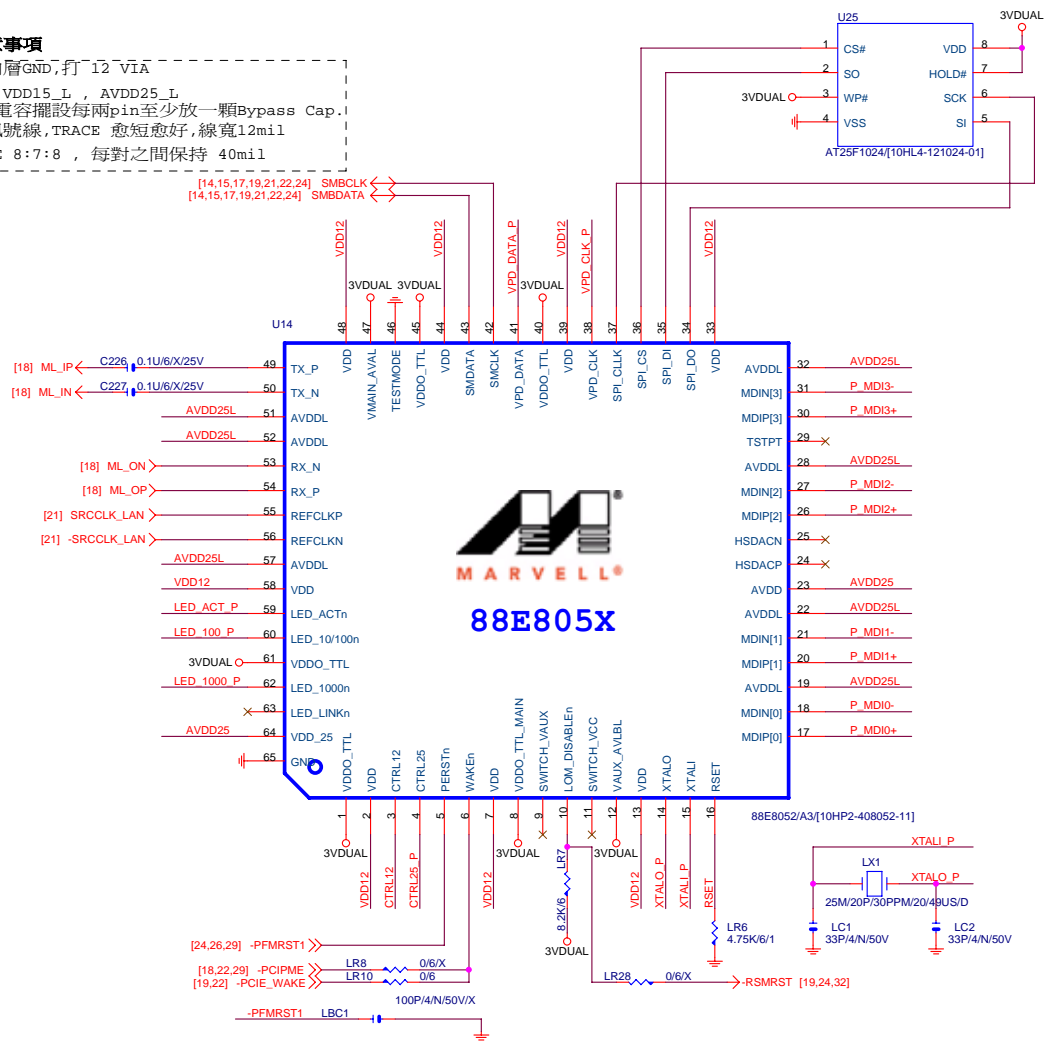


Gigabyte Technology		
Title		
<b>TSB43AB23A 1394A</b>		
Size	Document Number	Rev
Custom	<b>81945AEF-RH</b>	<b>1.1</b>
Date:	Tuesday, November 29, 2005	Sheet 29 of 34

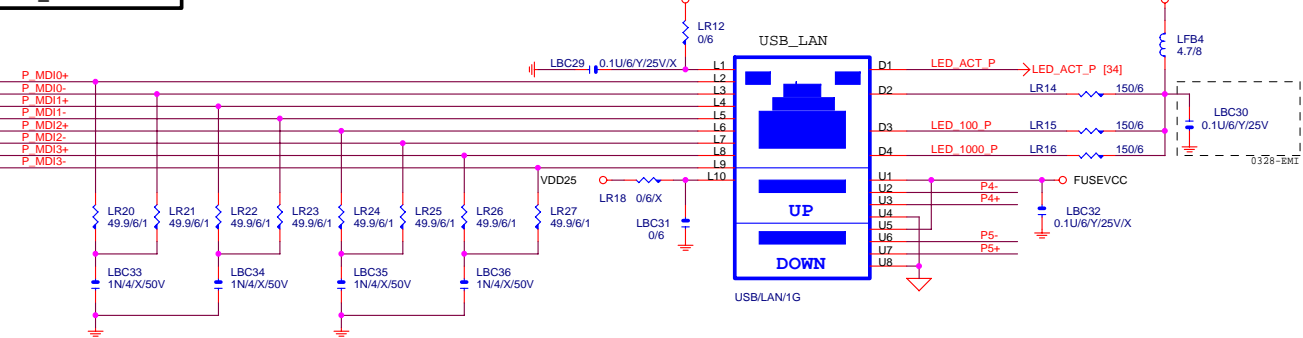
**PCIE-1G LAN**

# Layout Check 注意事項

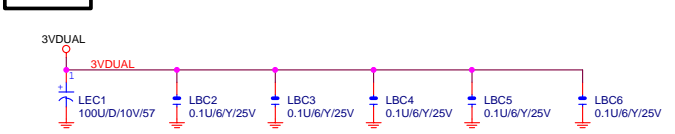
1. Lu1 PIN65 需下內層GND,打 12 VIA
2. 3VDUAL, VCC3, VDD15\_L, AVDD25\_L 至少走20mil寬,並且電容擺設每兩pin至少放一顆Bypass Cap.
3. X'TAL 25MHz 兩訊號線,TRACE 愈短愈好,線寬12mil
4. MDI正負0~3,TRACE 8:7:8, 每對之間保持 40mil



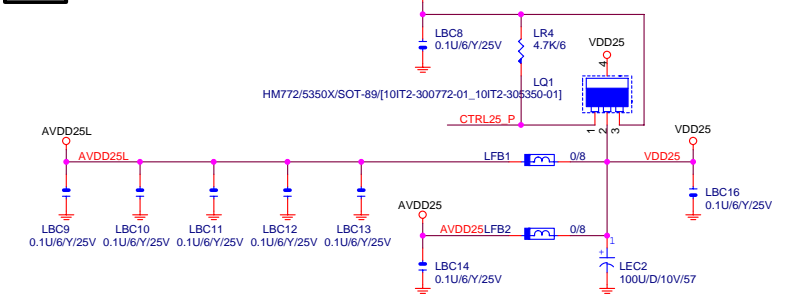
**USB LAN CONNECTOR**



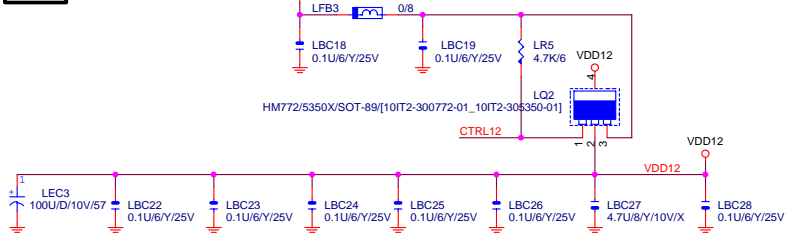
**3VDUAL**



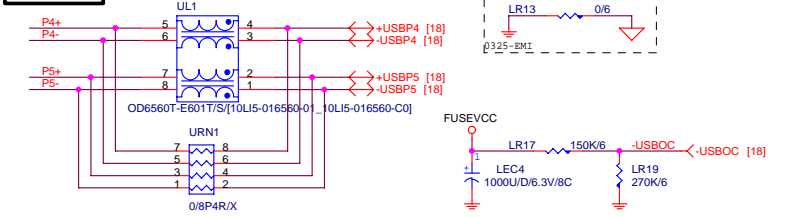
**2.5V**



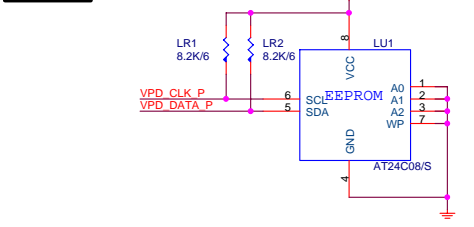
**1.2V**



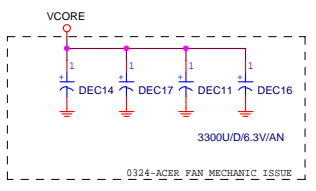
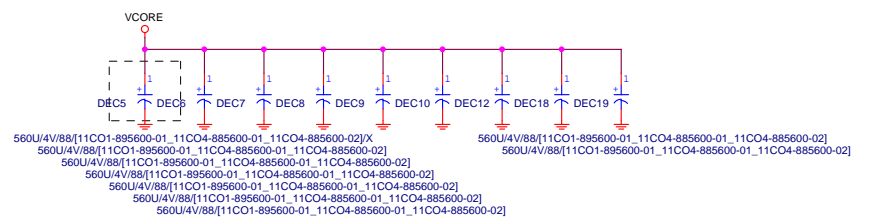
**USB LAN**



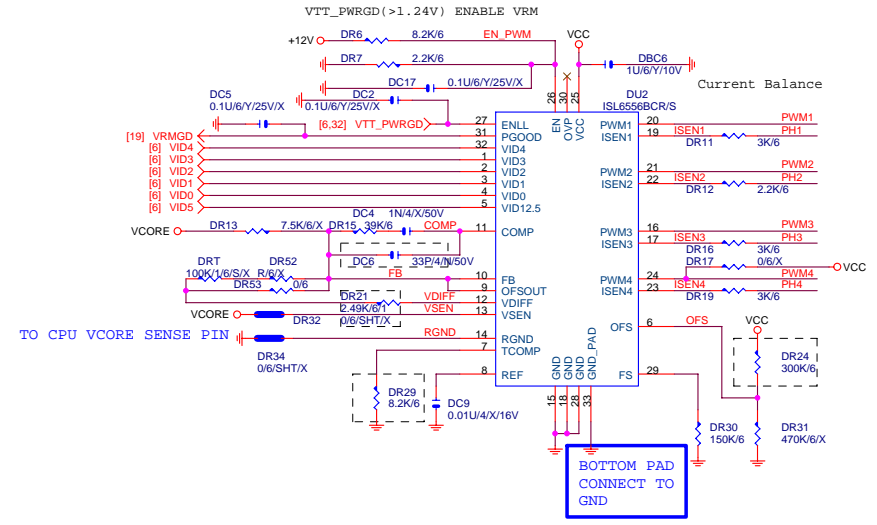
**EEPROM**



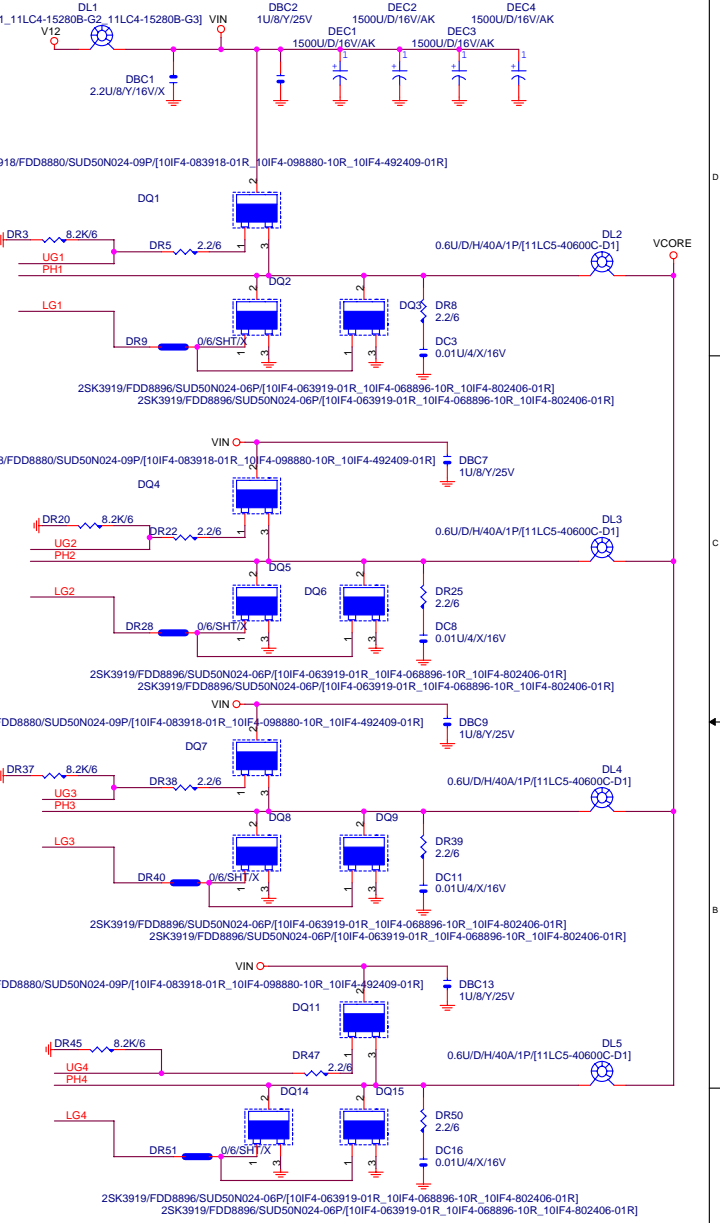
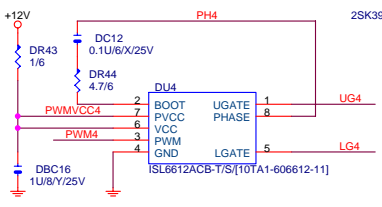
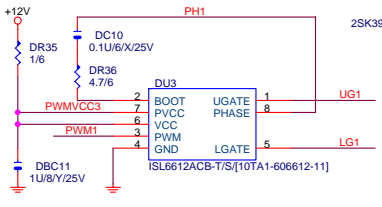
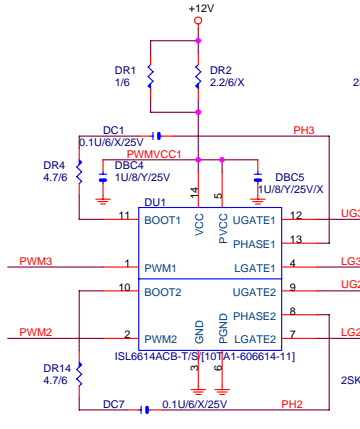
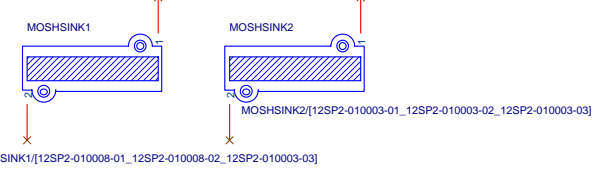
<b>Gigabyte Technology</b>		
Title	<b>MARVELL 88E8052</b>	
Size Custom	Document Number	Rev
	<b>81945AEF-RH</b>	<b>1.1</b>
Date:	Tuesday, November 29, 2005	Sheet 30 of 34



1800U/D/6.3V/8K[11CL1-8K1801-11\_11CL1-8K1801-12]  
 1800U/D/6.3V/8K[11CL1-8K1801-11\_11CL1-8K1801-12]  
 1800U/D/6.3V/8K[11CL1-8K1801-11\_11CL1-8K1801-12]

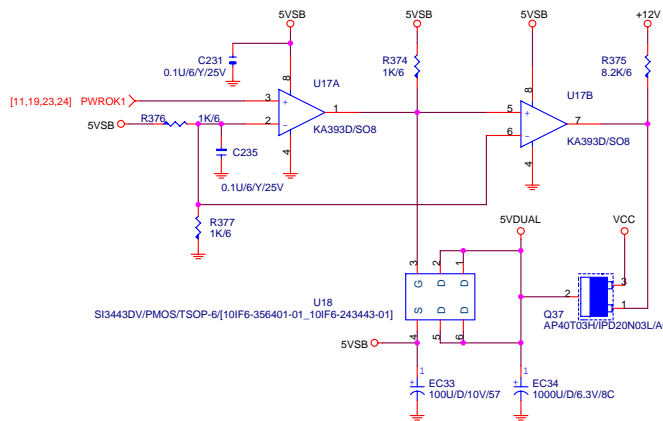


**BOTTOM PAD  
CONNECT TO GND**

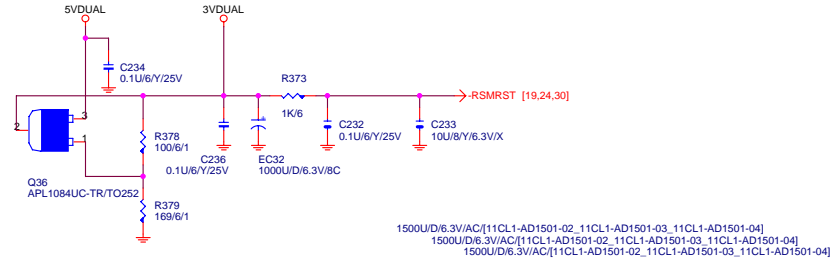


<b>Gigabyte Technology</b>			
<b>VCCORE PWM_ISL6556</b>			
Size	Document Number	<b>81945AEF-RH</b>	
Custom		Rev <b>1.1</b>	
Date:	Tuesday, November 29, 2005	Sheet	31 of 34

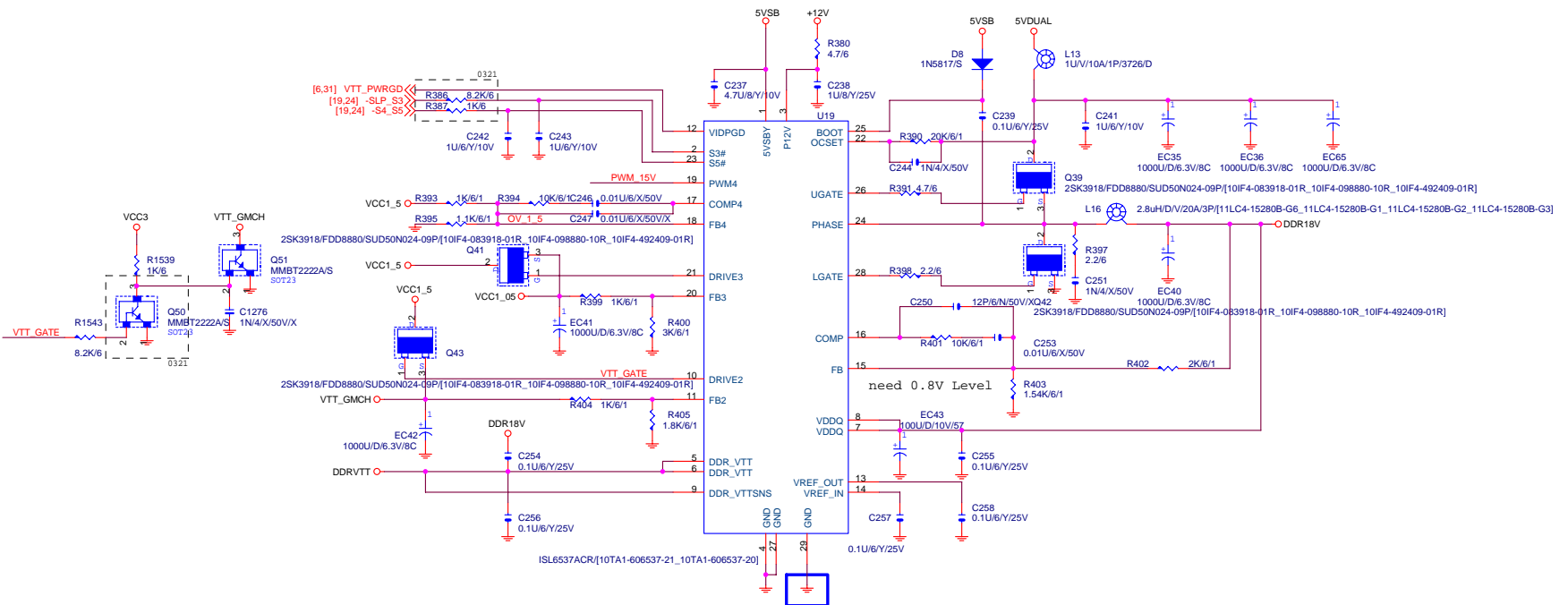
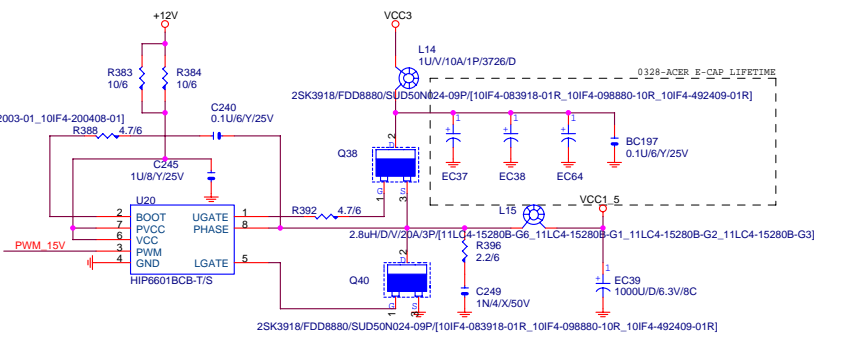
**5VDUAL**



**3VDUAL**



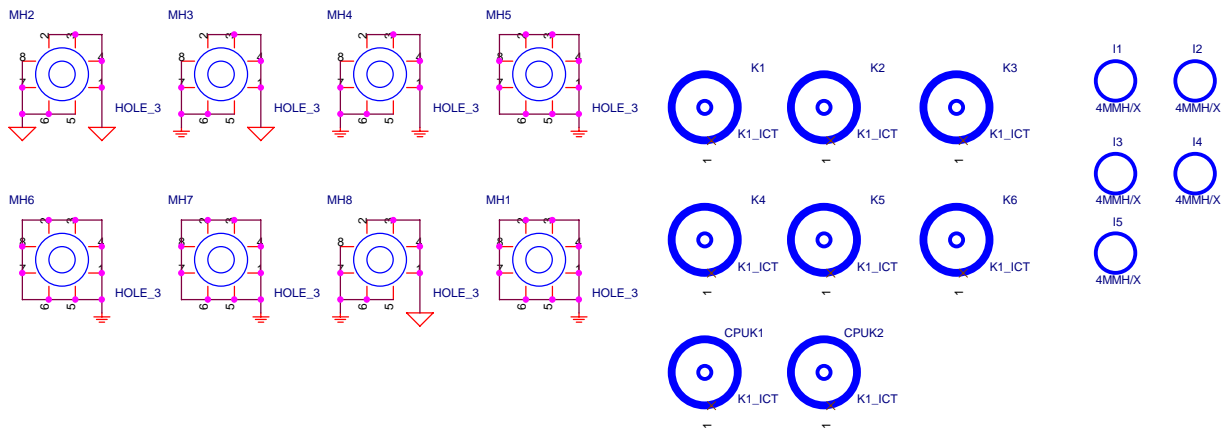
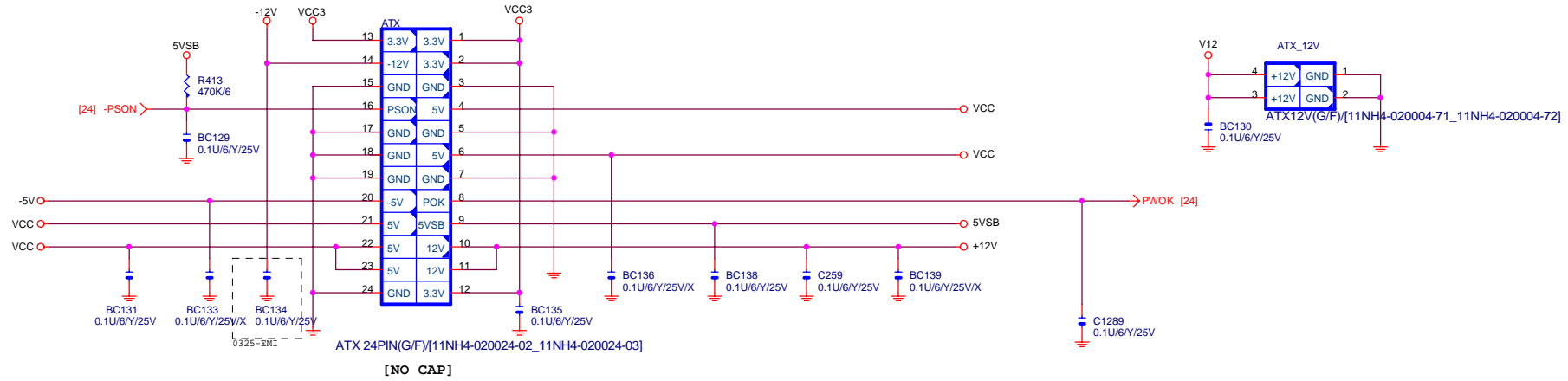
**VCC1\_5**

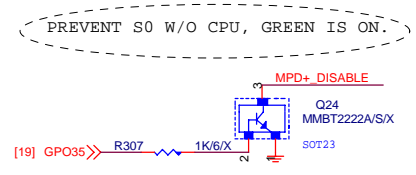
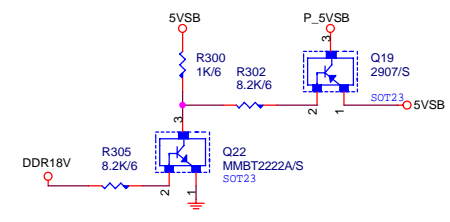
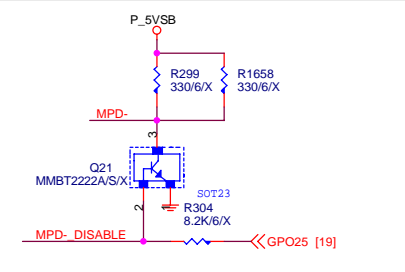
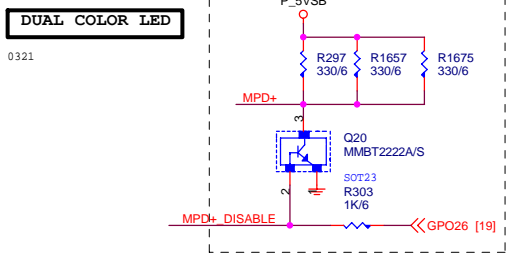


BOTTOM PAD  
USE 6 VIAS  
CONNECT TO  
GND

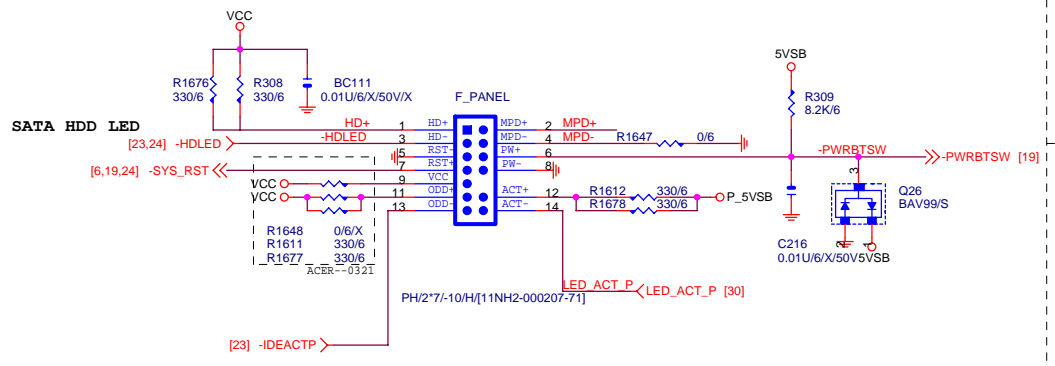


# ATX POWER CONNECTOR

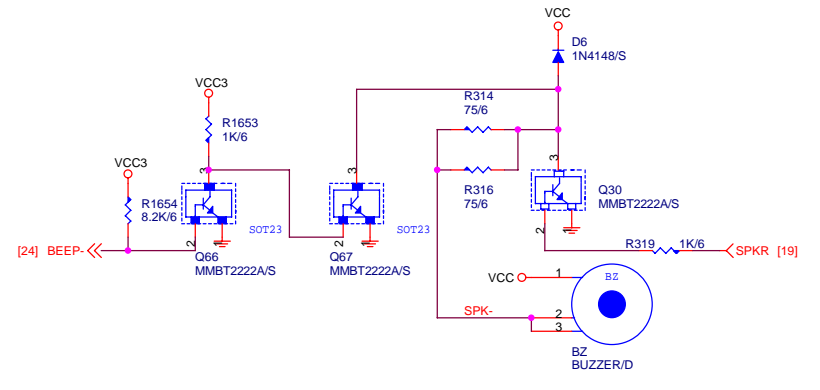




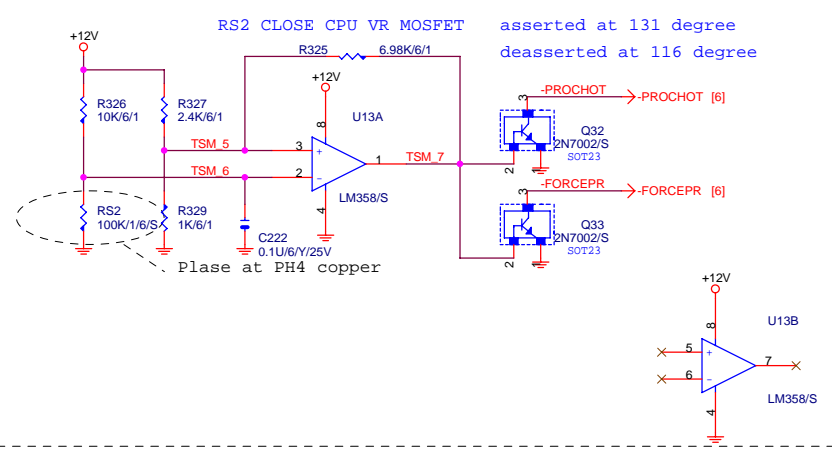
### INTEL FRONT PANEL modify PIN2\*7 cut 10pin for ACER



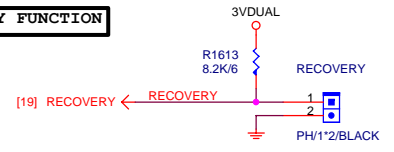
### BUZZER



### PROCESSOR HOT



### RECOVERY FUNCTION



RECOVERY	
OPEN	NORMAL
SHORT	RECOVERY

### RESERVE PIN

