

# DDD UMA

## SI Build(Final)

2007.03.30

DATE	CHANGE NO.	REV

DRAWER	EE	DATE	POWER	DATE	<b>INVENTEC</b>			
DESIGN					TITLE <b>DDD UMA</b>			
CHECK								
RESPONSIBLE								
SIZE =	3			VER :	SIZE <b>A3</b>	CODE <b>CS</b>	DOC. NUMBER	REV
FILE NAME :	XXXX-XXXXXX-XX						<i>Model No.</i>	<i>AXI</i>
P/N	XXXXXXXXXXXX					SHEET	1	OF 48

**TABLE OF CONTENTS**

**PAGE**

- 5- DC& BATTERY CHARGER
- 6- SELECT & BATTERY CONN
- 7- SYSTEM POWER(3V/5V)
- 8- SYSTEM POWER(+V1.8/+V1.25S)
- 9- SYSTEM POWER(+VGFX/+VCCP)
- 10- SYSTEM POWER(+V1.5S)
- 11- CPU POWER(VCC\_CORE)
- 12- DDR TERMINATION VOLTAGE
- 13- POWER(SLEEP)
- 14- POWER(SEQUENCE)

**PAGE**

- 15- CLOCK\_GENERATOR
- 16- PENRYN-1
- 17- PENRYN-2
- 18- PENRYN-3
- 19- THERMAL&FAN CONTROLLER
- 20- Crestline-1
- 21- Crestline-2
- 22- Crestline-3
- 23- Crestline-4
- 24- Crestline-5
- 25- Crestline-6
- 26- DDR2-DIMM0
- 27- DDR2-DIMM1
- 28- DDR2-DAMPING
- 29- VGA CONN
- 30- LCM CONN
- 31- ICH8-1
- 32- ICH8-2
- 33- ICH8-3
- 34- ICH8-4
- 35- ICH8-5

**PAGE**

- 36- SYSTEM BIOS&ODD EXTEND/B
- 37- HDD&ODD CONN
- 38- USB CONN
- 39- KBC
- 40- KB&TP CONN
- 41- AUDIO CODEC
- 42- MDC CONN & AUDIO JACK
- 43- NIC 10/100- CONTROLLER
- 44- NIC 10/100- RJ45 CONN
- 45- MINICARD & BT CONN
- 46- NEW CARD & SD/MMC
- 47- LED & BUTTON
- 48- SCREW HOLE

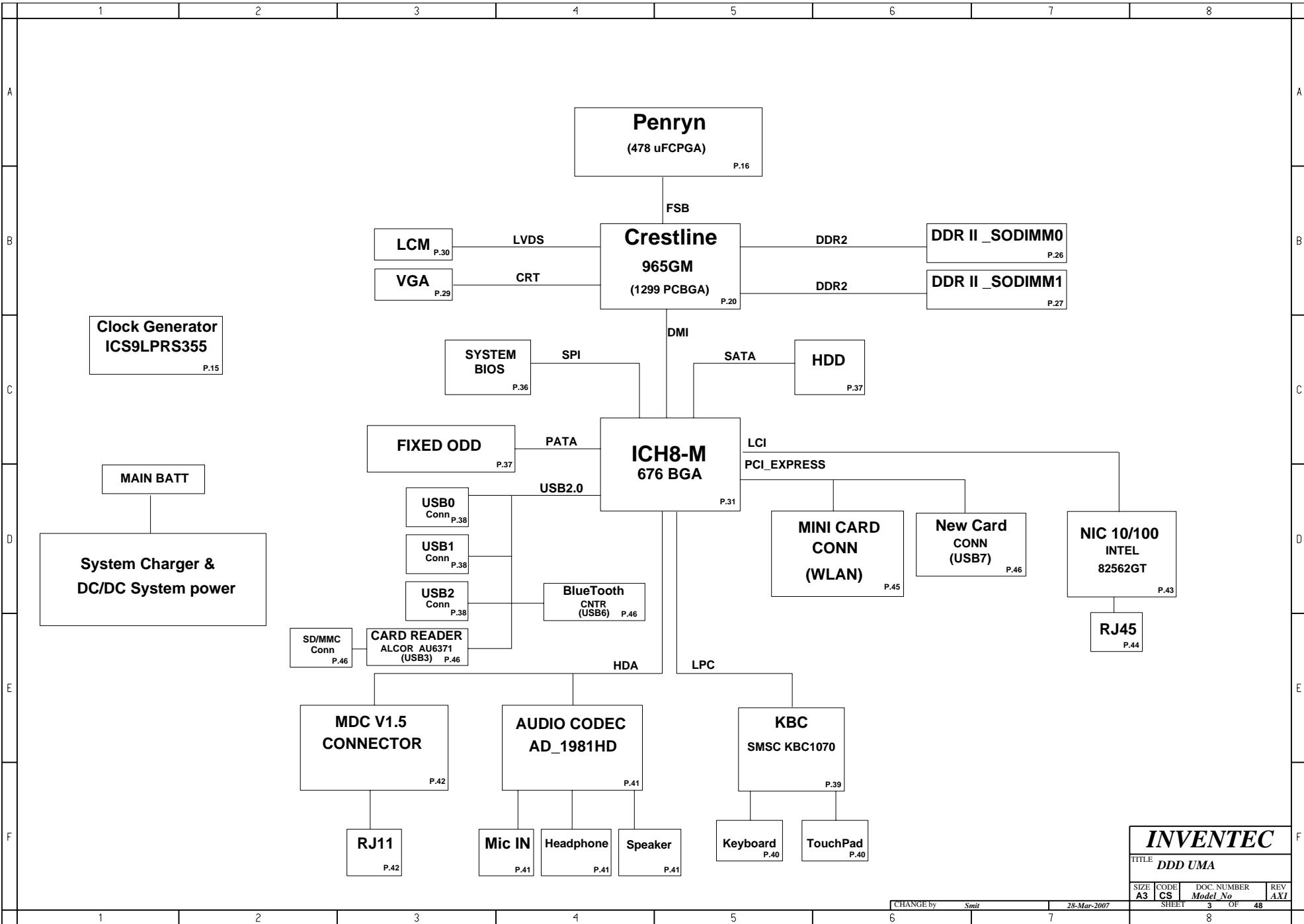
**INVENTEC**

TITLE  
**DDD UMA**

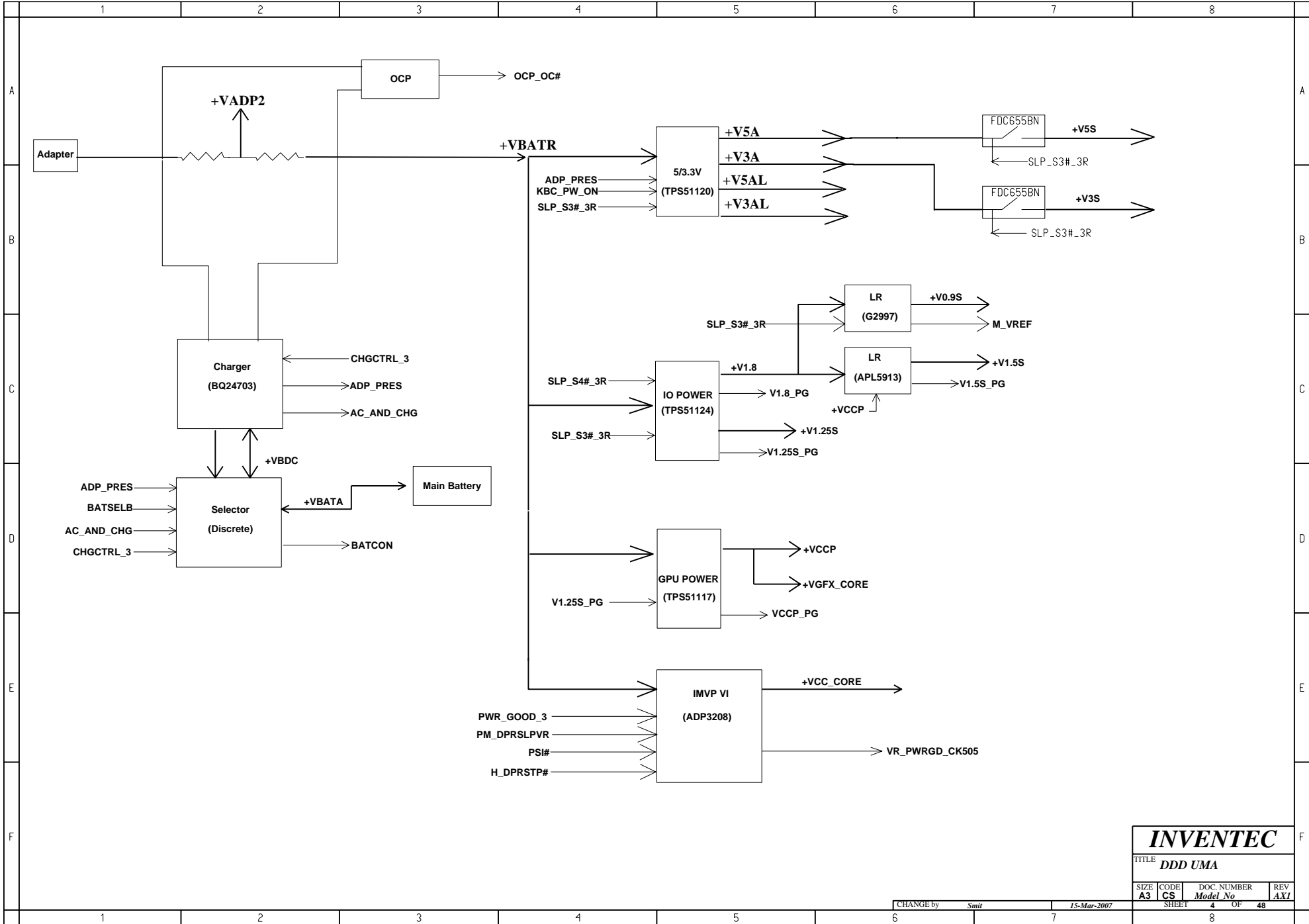
SIZE <b>A3</b>	CODE <b>CS</b>	DOC. NUMBER <i>Model No</i>	REV <b>AXI</b>
-------------------	-------------------	--------------------------------	-------------------

CHANGE by *Smit* 23-Mar-2007

SHEET 2 OF 48



<b>INVENTEC</b>			
TITLE <b>DDD UMA</b>			
SIZE <b>A3</b>	CODE <b>CS</b>	DOC. NUMBER <i>Model No</i>	REV <b>AX1</b>
CHANGE by <i>Smit</i>		28-Mar-2007	SHEET <b>3</b> OF <b>48</b>

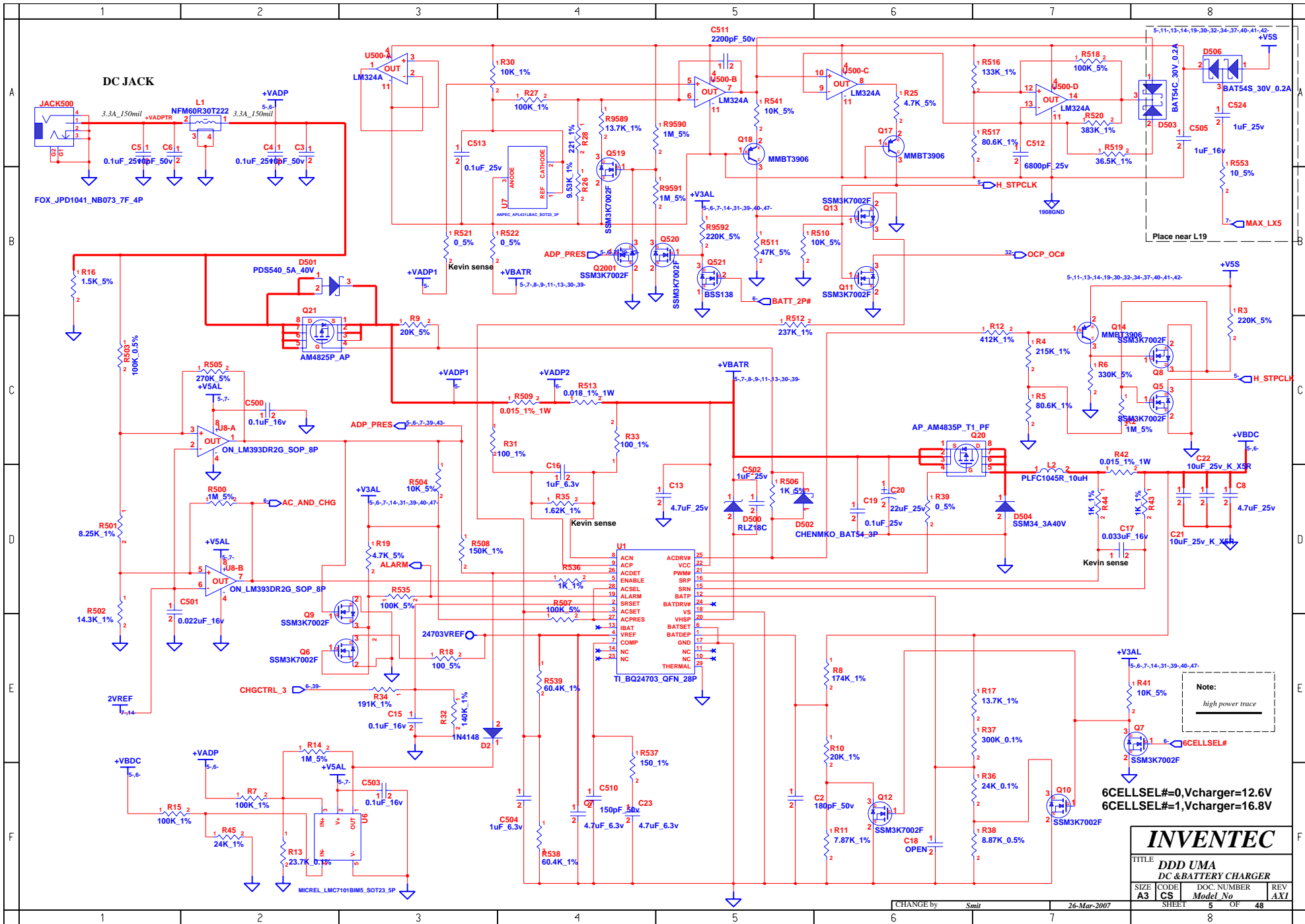


**INVENTEC**

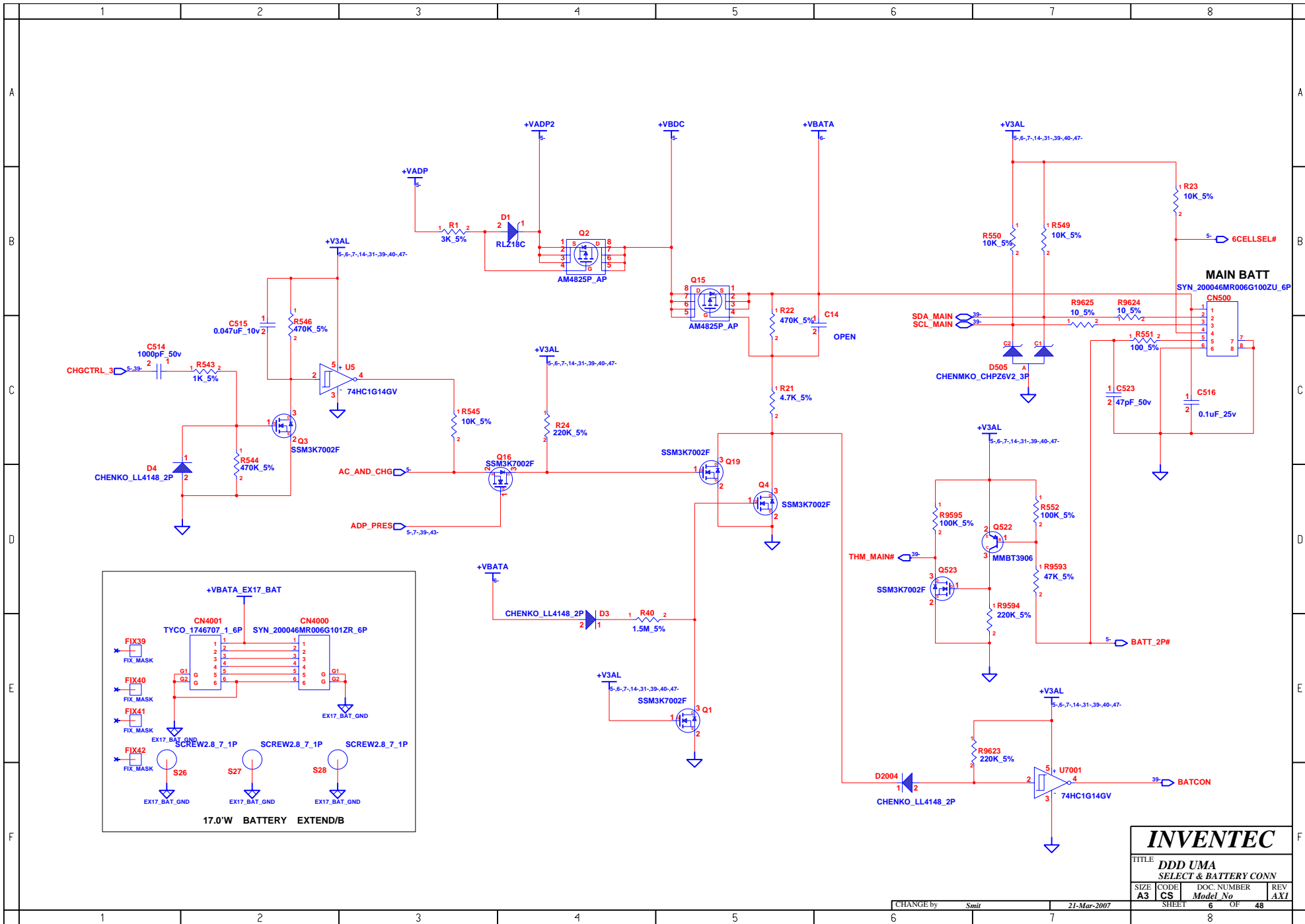
TITLE **DDD UMA**

SIZE	CODE	DOC. NUMBER	REV
A3	CS	Model No	AXI

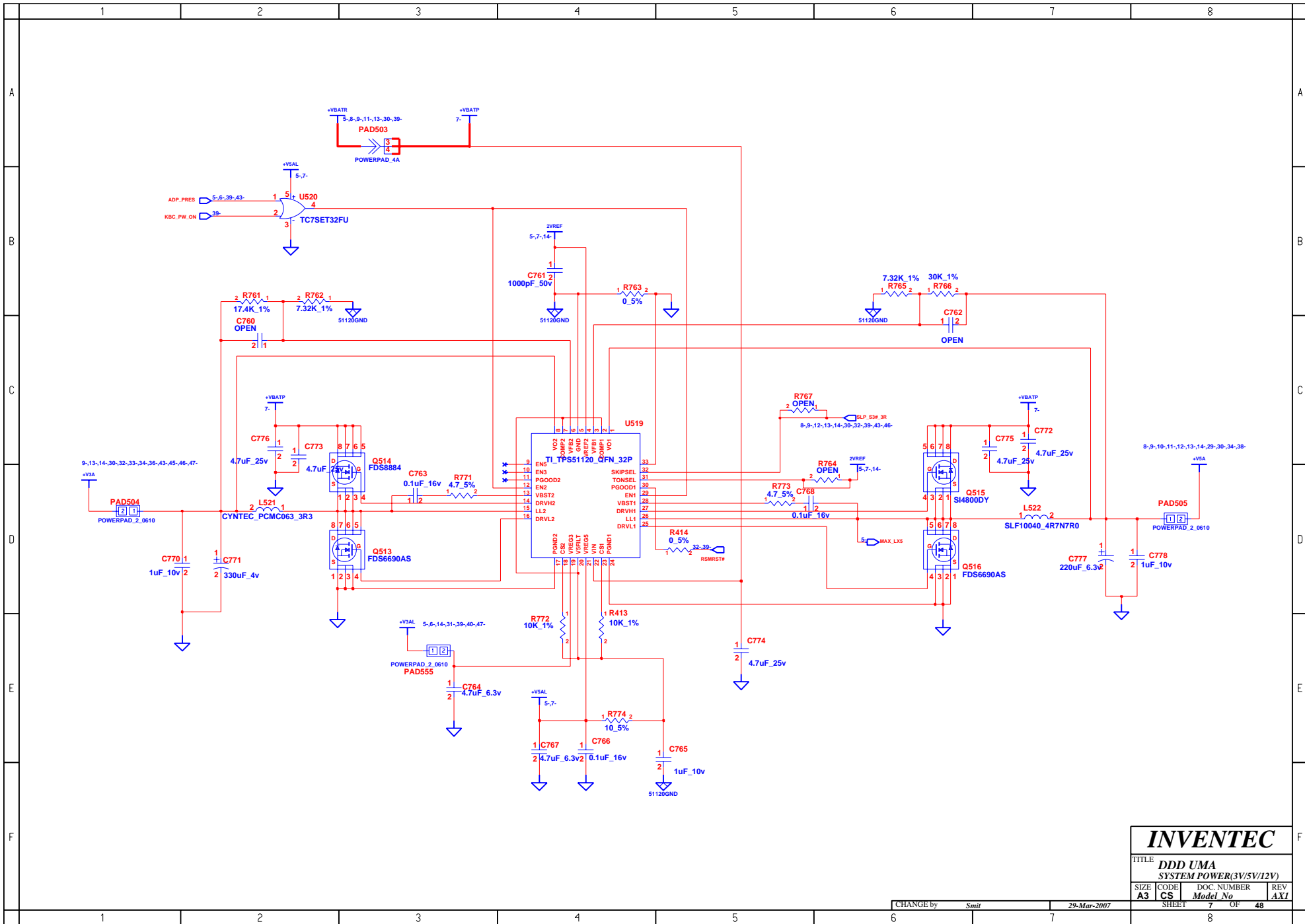
CHANGE by *Smit* 15-Mar-2007 SHEET 4 OF 48



<b>INVENTEC</b>			
TITLE DDD UMA DC & BATTERY CHARGER			
SIZE A3	CODE CS	DOC NUMBER Model No	REV AX1
CHANGE by Smit		26-Mar-2007	
SHEET 5		OF 48	



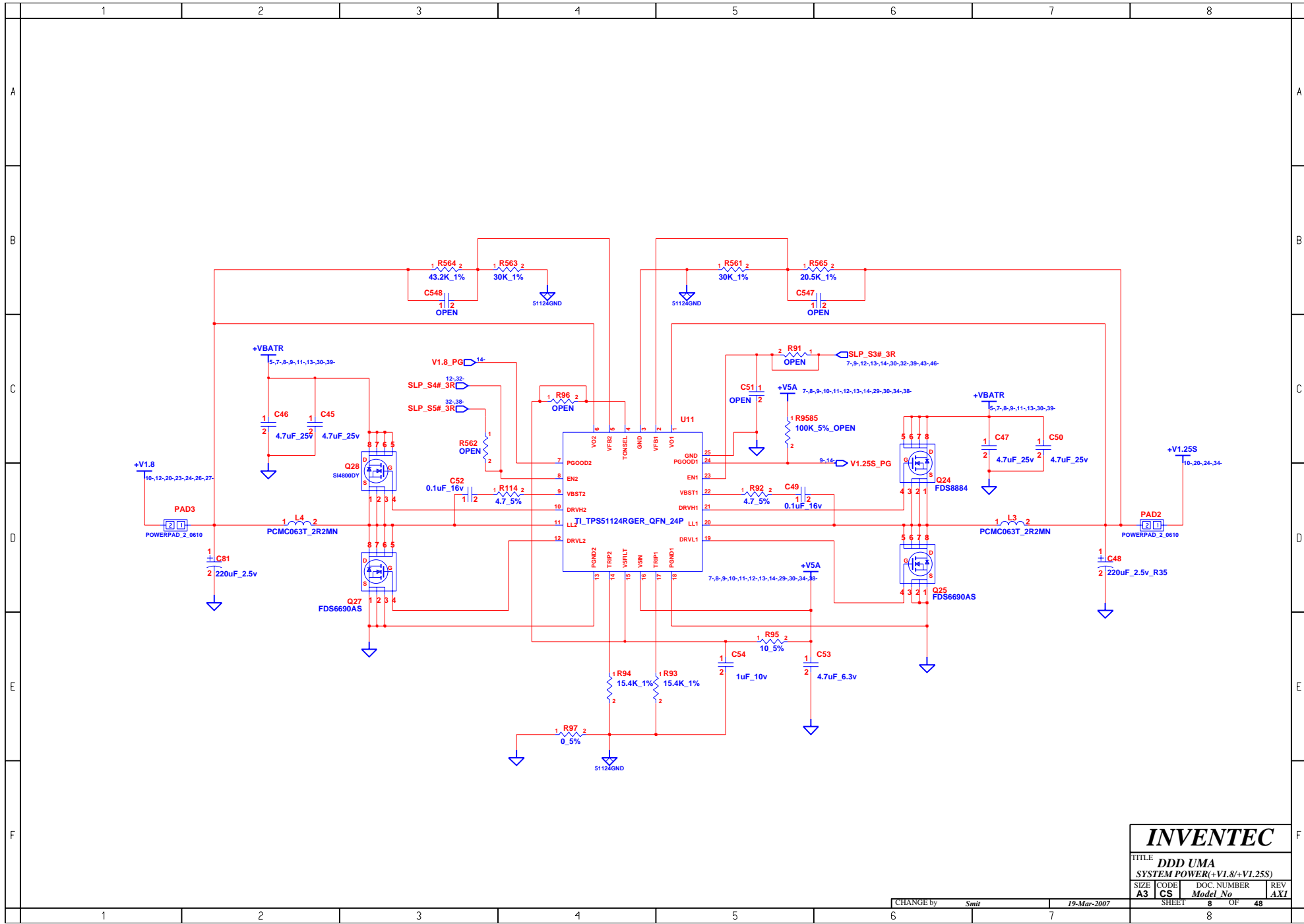
<b>INVENTEC</b>			
TITLE <b>DDD UMA SELECT &amp; BATTERY CONN</b>			
SIZE <b>A3</b>	CODE <b>CS</b>	DOC. NUMBER <i>Model No</i>	REV <b>AXI</b>
CHANGE by <i>Smit</i>		21-Mar-2007	
SHEET 6		OF 48	



# INVENTEC

TITLE  
**DDD UMA**  
 SYSTEM POWER(3V/5V/12V)

SIZE	CODE	DOC. NUMBER	REV
A3	CS	Model No	AXI

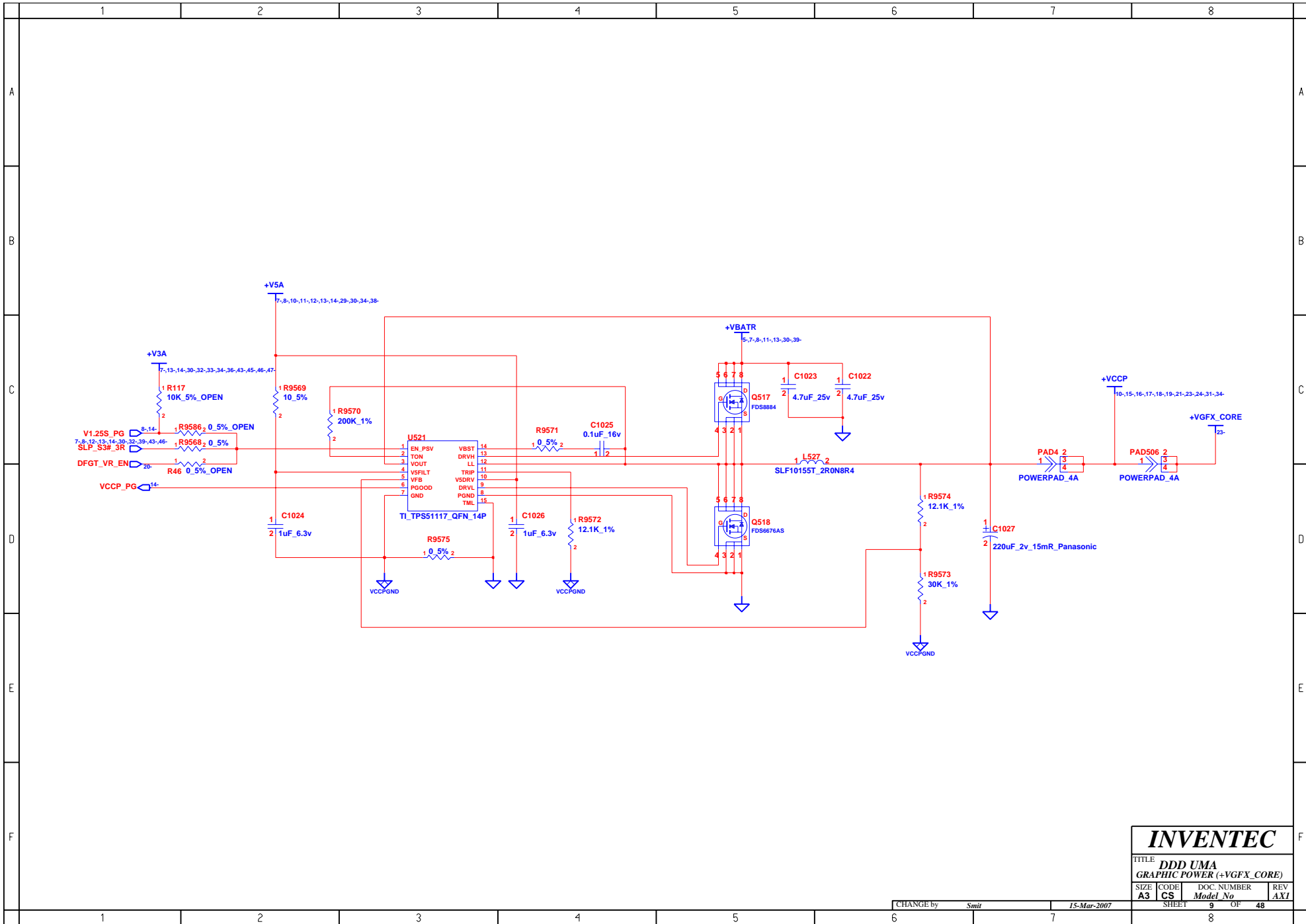


# INVENTEC

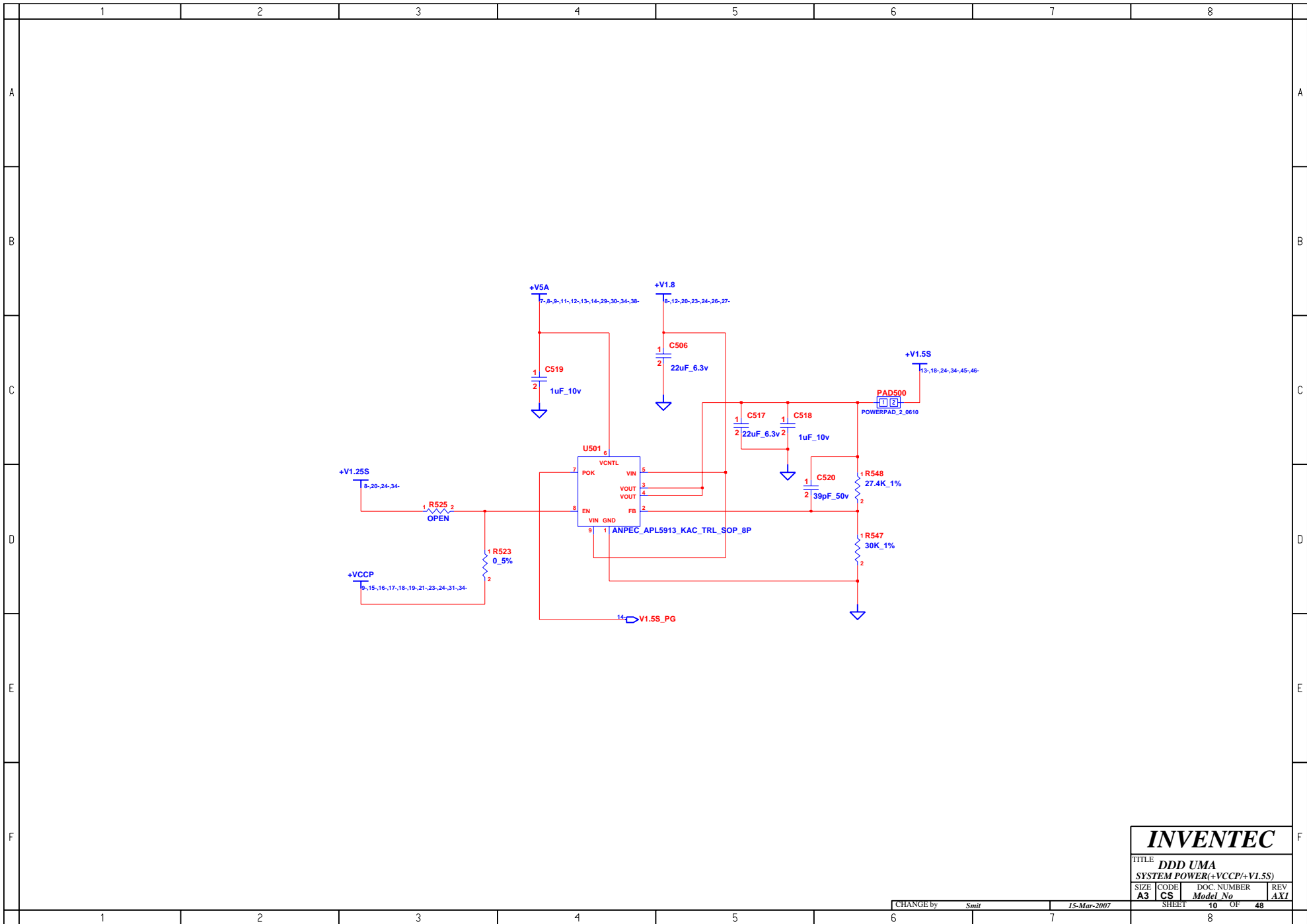
TITLE			
DDD UMA			
SYSTEM POWER(+V1.8/+V1.25S)			
SIZE	CODE	DOC. NUMBER	REV
A3	CS	Model No	AXI

CHANGE by Smit 19-Mar-2007





<b>INVENTEC</b>			
TITLE <b>DDD UMA</b>			
GRAPHIC POWER (+VGFX_CORE)			
SIZE	CODE	DOC. NUMBER	REV
A3	CS	Model No	AXI

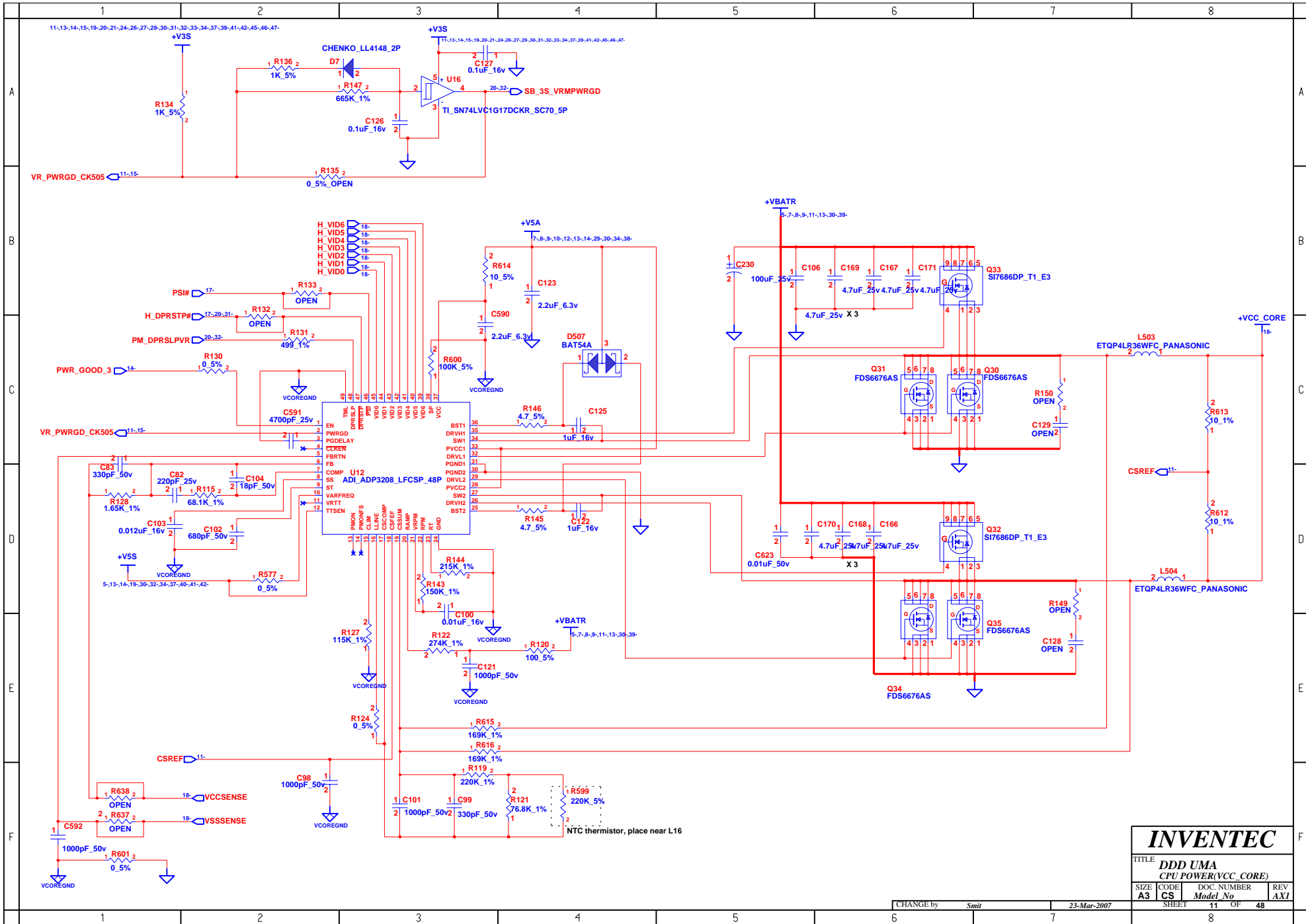


# INVENTEC

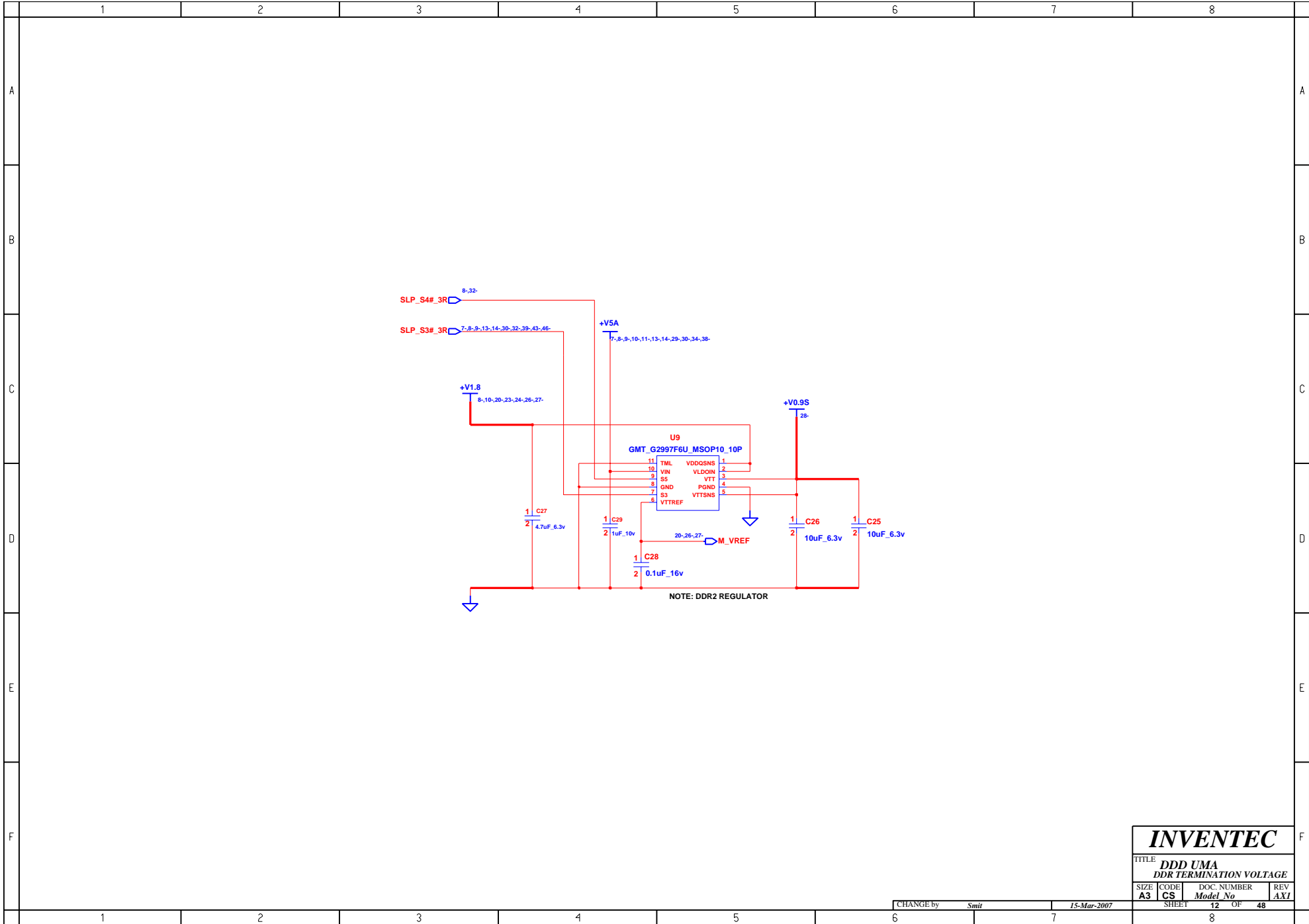
TITLE			
DDD UMA			
SYSTEM POWER(+VCCP/+V1.5S)			
SIZE	CODE	DOC. NUMBER	REV
A3	CS	Model No	AXI

CHANGE by Smit 15-Mar-2007

SHEET 10 OF 48



<b>INVENTEC</b>			
TITLE DDD UMA CPU POWER(VCC_CORE)			
SIZE A3	CODE CS	DOC NUMBER Model No	REV AXI
CHANGE by Smit		23-Mar-2007	
SHEET 11		OF 48	



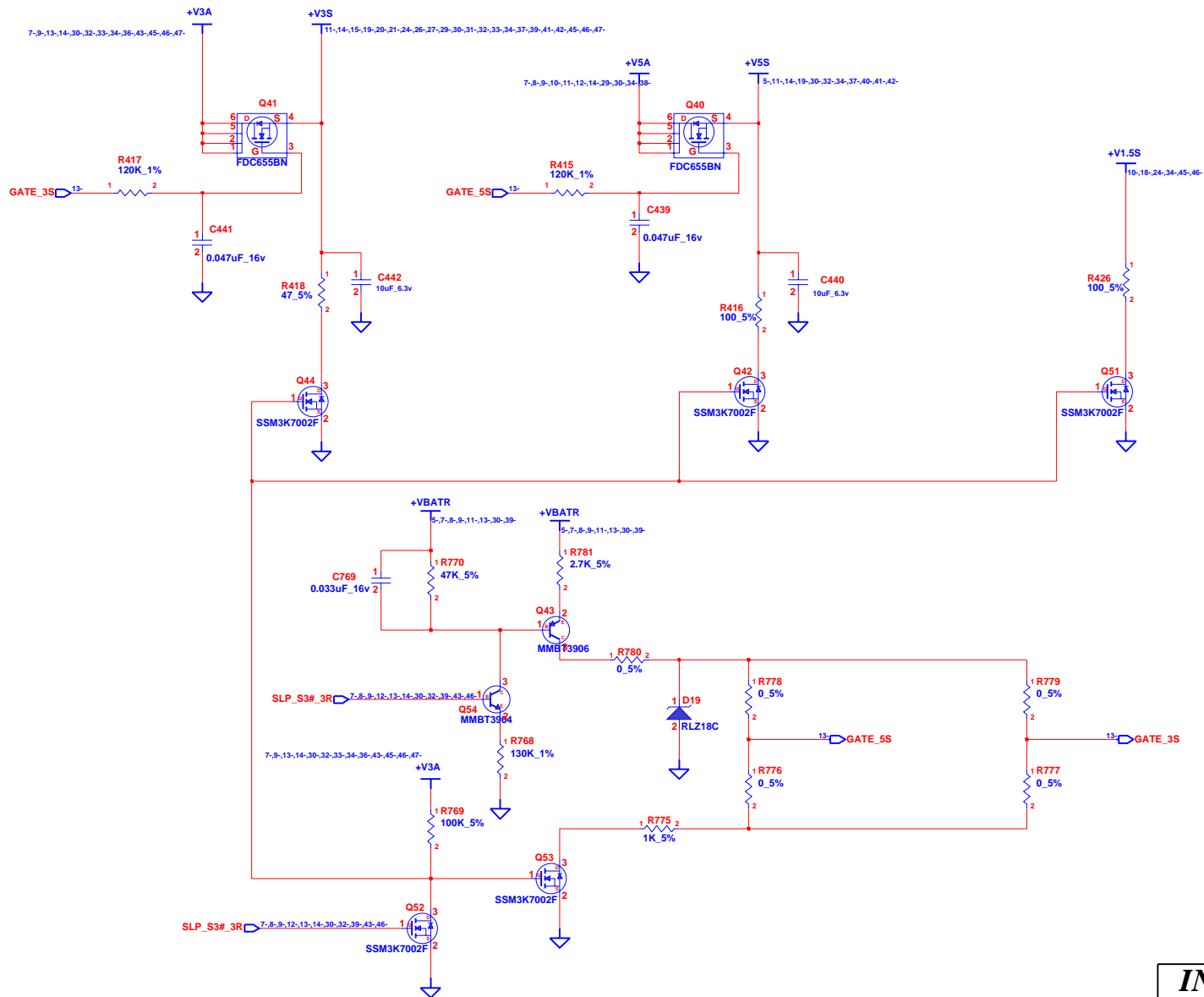
**INVENTEC**

TITLE **DDD UMA  
DDR TERMINATION VOLTAGE**

SIZE <b>A3</b>	CODE <b>CS</b>	DOC. NUMBER <i>Model No</i>	REV <b>AX1</b>
-------------------	-------------------	--------------------------------	-------------------

CHANGE by *Smit* 15-Mar-2007

SHEET 12 OF 48

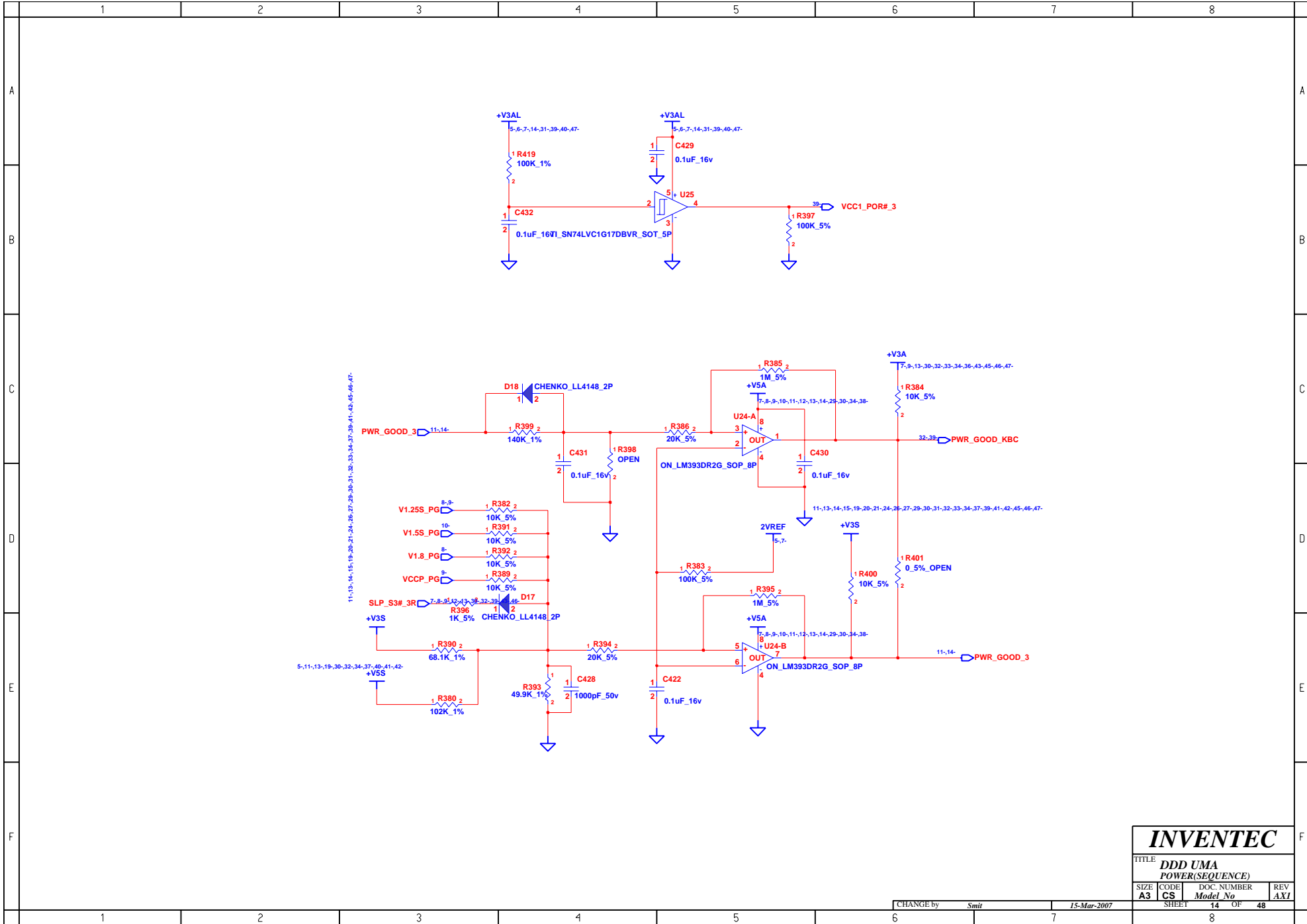


# INVENTEC

TITLE			
DDD UMA			
POWER(SLEEP)			
SIZE	CODE	DOC. NUMBER	REV
A3	CS	Model No	AXI

CHANGE by Smit 15-Mar-2007

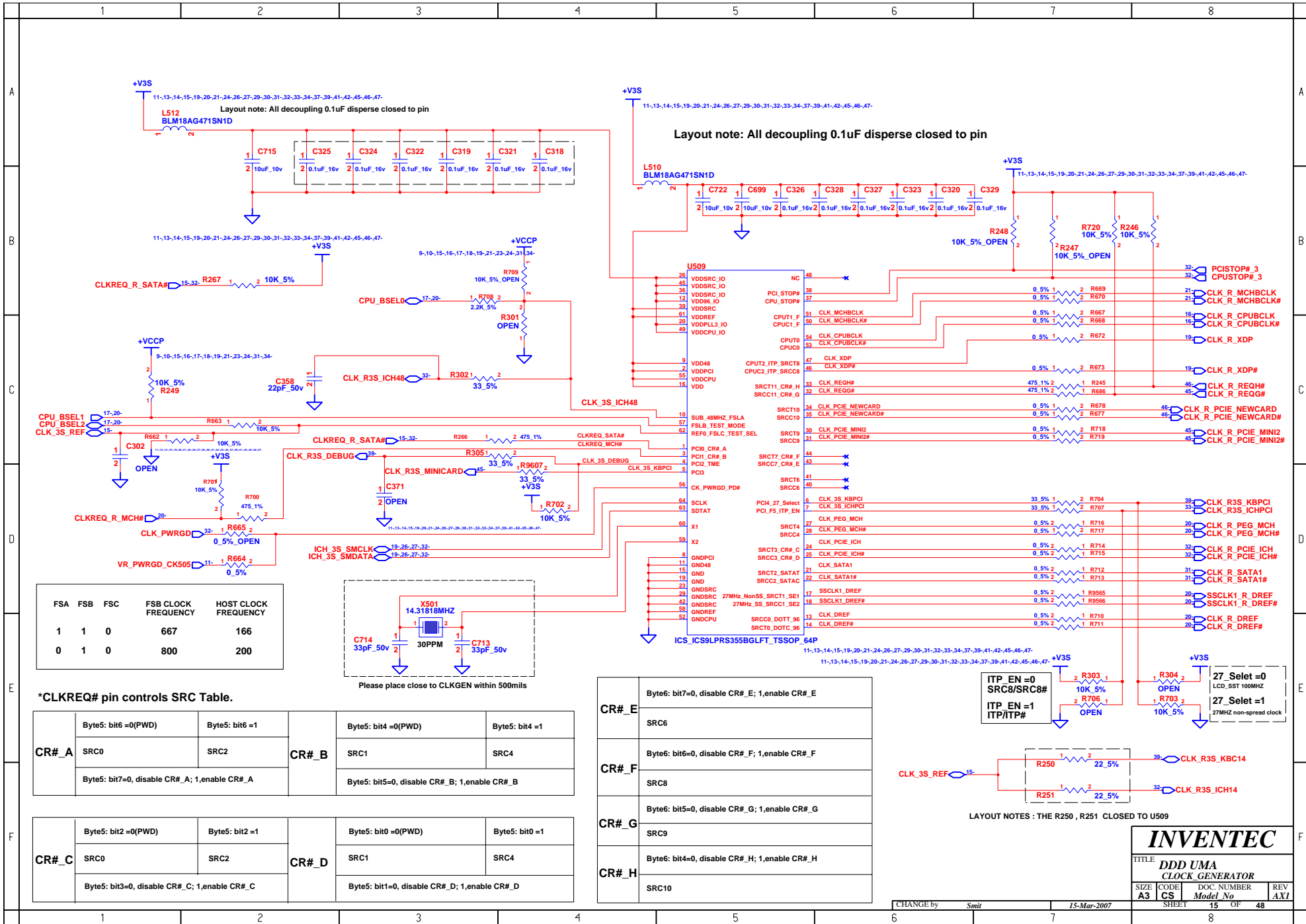
SHEET 13 OF 48



# INVENTEC

TITLE			
DDD UMA			
POWER(SEQUENCE)			
SIZE	CODE	DOC. NUMBER	REV
A3	CS	Model No	AXI

CHANGE by Smit 15-Mar-2007



Layout note: All decoupling 0.1uF disperse closed to pin

U509

ICS9S09LPRS355BGLFT\_TSSOP\_64P

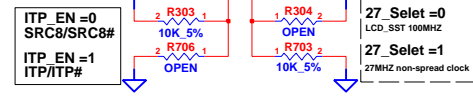
FSA	FSB	FSC	FSB CLOCK FREQUENCY	HOST CLOCK FREQUENCY
1	1	0	667	166
0	1	0	800	200

\*CLKREQ# pin controls SRC Table.

CR#_A	Byte5: bit6 =0(PWD)	Byte5: bit6 =1	CR#_B	Byte5: bit4 =0(PWD)	Byte5: bit4 =1
	SRC0	SRC2		SRC1	SRC4
Byte5: bit7=0, disable CR#_A; 1,enable CR#_A			Byte5: bit5=0, disable CR#_B; 1,enable CR#_B		

CR#_C	Byte5: bit2 =0(PWD)	Byte5: bit2 =1	CR#_D	Byte5: bit0 =0(PWD)	Byte5: bit0 =1
	SRC0	SRC2		SRC1	SRC4
Byte5: bit3=0, disable CR#_C; 1,enable CR#_C			Byte5: bit1=0, disable CR#_D; 1,enable CR#_D		

CR#_E	Byte6: bit7=0, disable CR#_E; 1,enable CR#_E	SRC6
CR#_F	Byte6: bit6=0, disable CR#_F; 1,enable CR#_F	SRC8
CR#_G	Byte6: bit5=0, disable CR#_G; 1,enable CR#_G	SRC9
CR#_H	Byte6: bit4=0, disable CR#_H; 1,enable CR#_H	SRC10



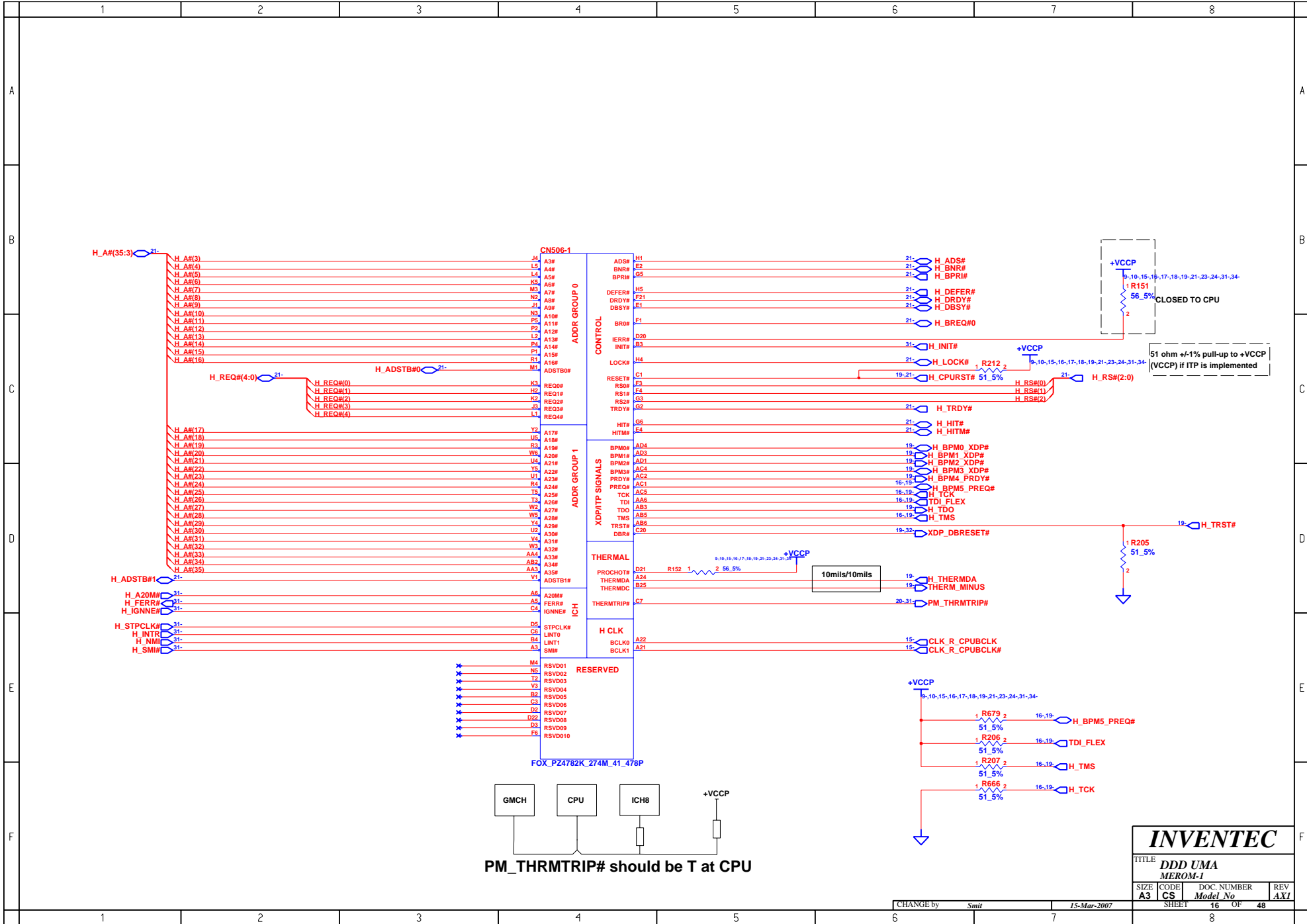
LAYOUT NOTES : THE R250 , R251 CLOSED TO U509

**INVENTEC**

TITLE: **DDD UMA**  
CLOCK GENERATOR

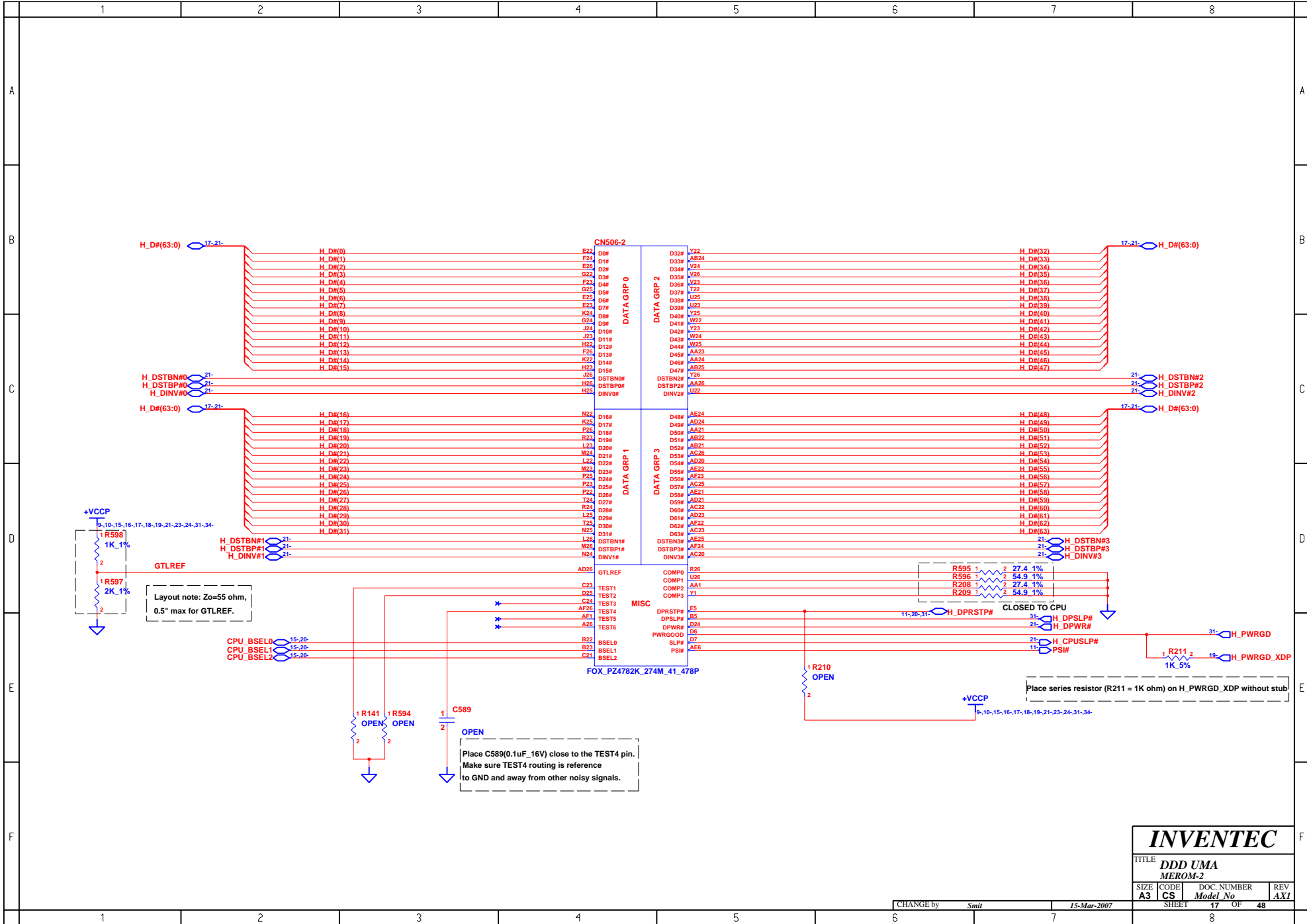
SIZE	CODE	DOC. NUMBER	REV
A3	CS	Model No	AXI

SHEET 15 OF 48

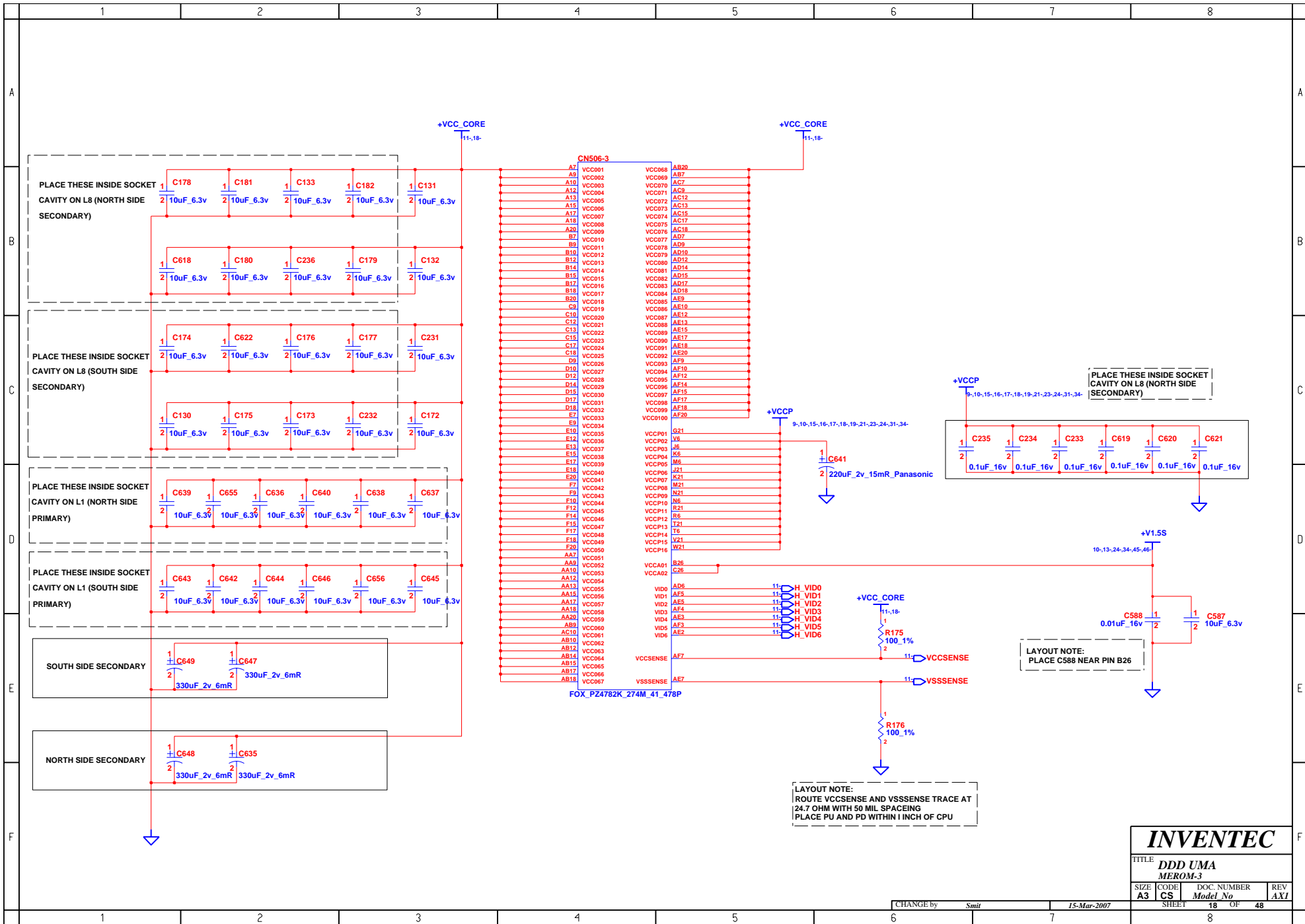


<b>INVENTEC</b>			
TITLE DDD UMA MEROM-1			
SIZE A3	CODE CS	DOC. NUMBER Model No	REV AXI
SHEET		16 OF 48	

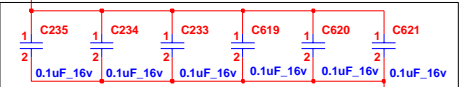




<b>INVENTEC</b>			
TITLE DDD UMA MEROM-2			
SIZE A3	CODE CS	DOC. NUMBER Model No	REV AXI
CHANGE by Smit		15-Mar-2007	SHEET 17 OF 48



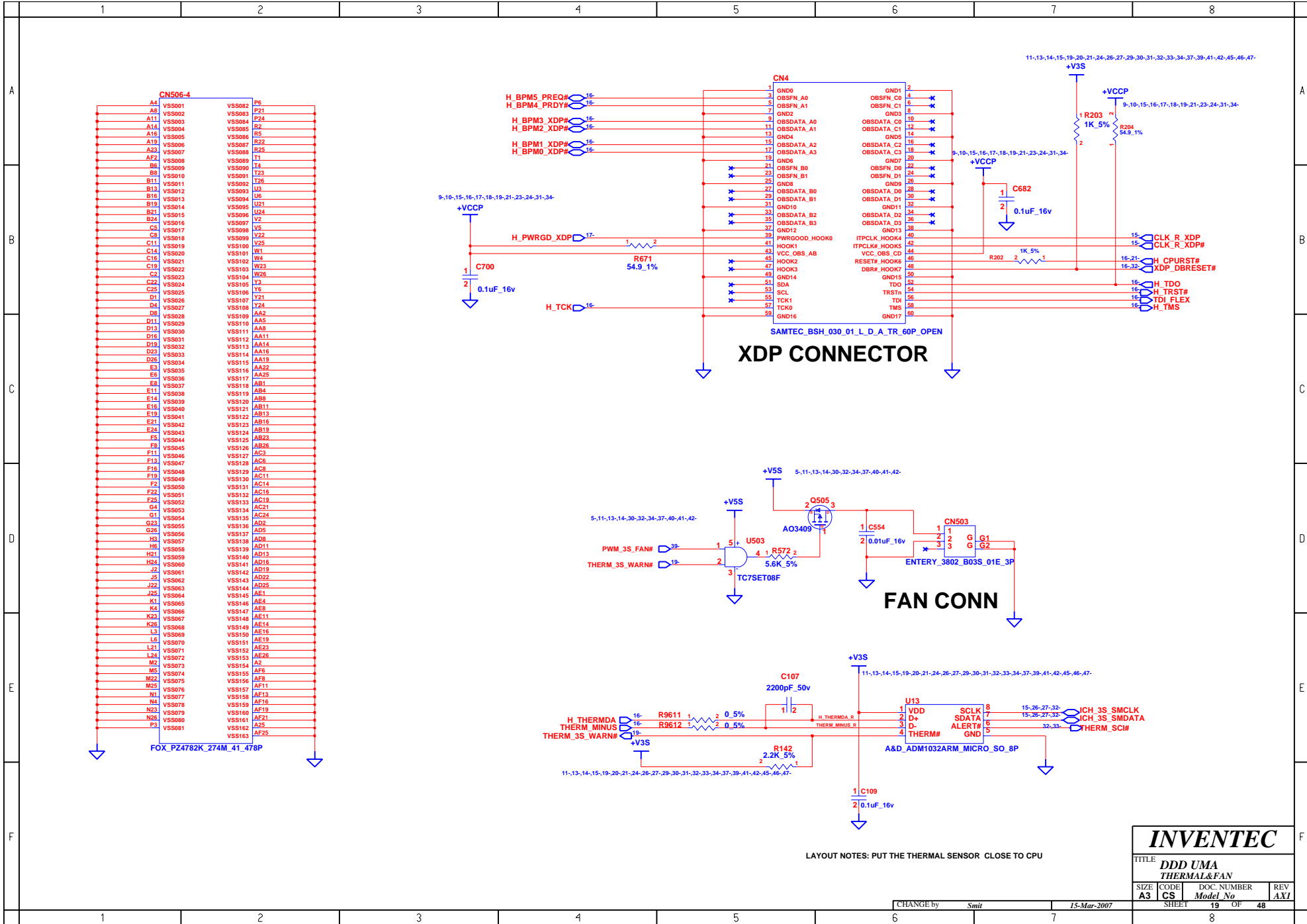
PLACE THESE INSIDE SOCKET CAVITY ON L8 (NORTH SIDE SECONDARY)



LAYOUT NOTE: PLACE C588 NEAR PIN B26

LAYOUT NOTE: ROUTE VCCSENSE AND VSSSENSE TRACE AT 24.7 OHM WITH 50 MIL SPACING PLACE PU AND PD WITHIN 1 INCH OF CPU

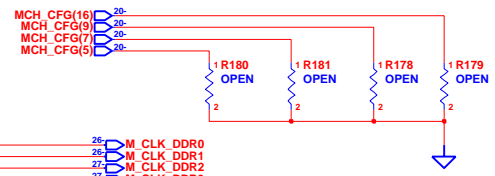
<b>INVENTEC</b>				
TITLE DDD UMA MEROM-3				
SIZE A3	CODE CS	DOC. NUMBER Model No	REV AXI	
CHANGE by Smit			15-Mar-2007	SHEET 18 OF 48



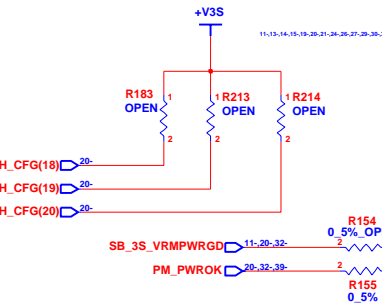
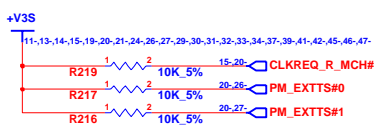
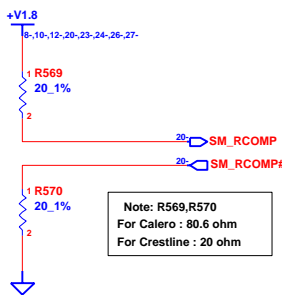
<b>INVENTEC</b>			
TITLE <b>DDD UMA THERMAL&amp;FAN</b>			
SIZE <b>A3</b>	CODE <b>CS</b>	DOC. NUMBER <i>Model No</i>	REV <b>AXI</b>
CHANGE by <i>Smit</i>		15-Mar-2007	SHEET <b>19</b> OF <b>48</b>

MCH_CFG(5)	LOW=DMiX2 HIGH=DMiX4	MCH_CFG(7) (CPU Strap)	LOW=RSVD HIGH=Mobile CPU	MCH_CFG(9) PCIe Graphics Lane	LOW=Reverse Lane HIGH=Normal operation
MCH_CFG(13:12)	00=PARTIAL CLOCK GATING DISABLE 01=XOR MODE ENABLE 10=ALL-Z MODE ENABLE 11=NORMAL OPERATION	MCH_CFG(16) (FSB Dynamic ODT)	LOW=Dynamic ODT Disable HIGH=Dynamic ODT Enable	MCH_CFG(11) PSB 4X CLK ENABLE	LOW=CALISTOGA HIGH=RESERVED

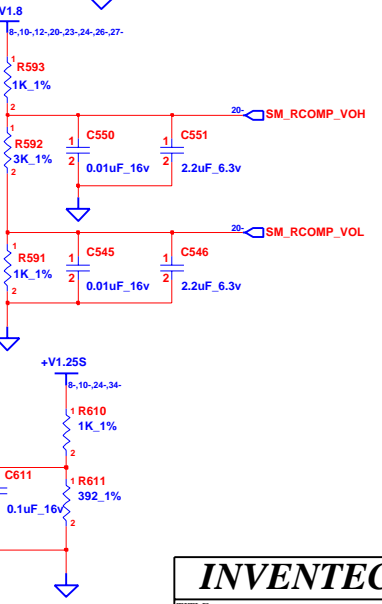
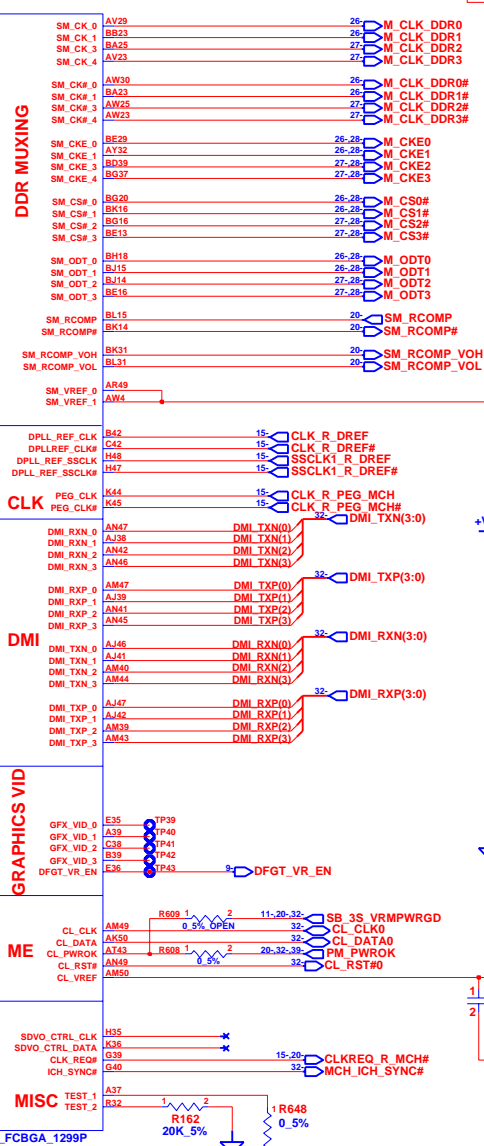
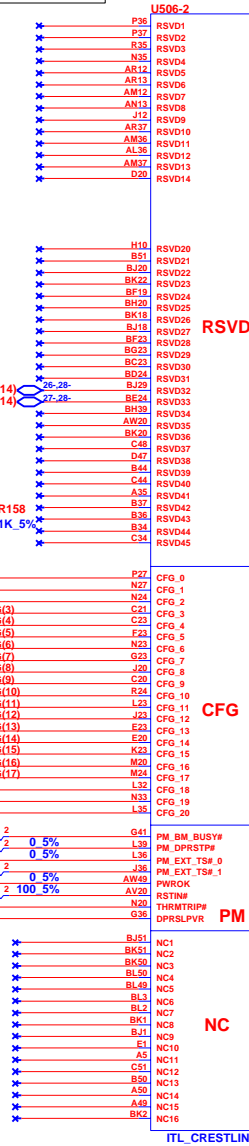
**NOTE : USE 4K-OHM RESISTOR WHEN INSTALLING PULL-UP/PULL-DOWN RESISTOR ON ANY MCH-CFG CONNECTION/PINS.**



NOTE: CFG[2:0] STRP : 001b : 533 MT/S  
011b : 667 MT/S

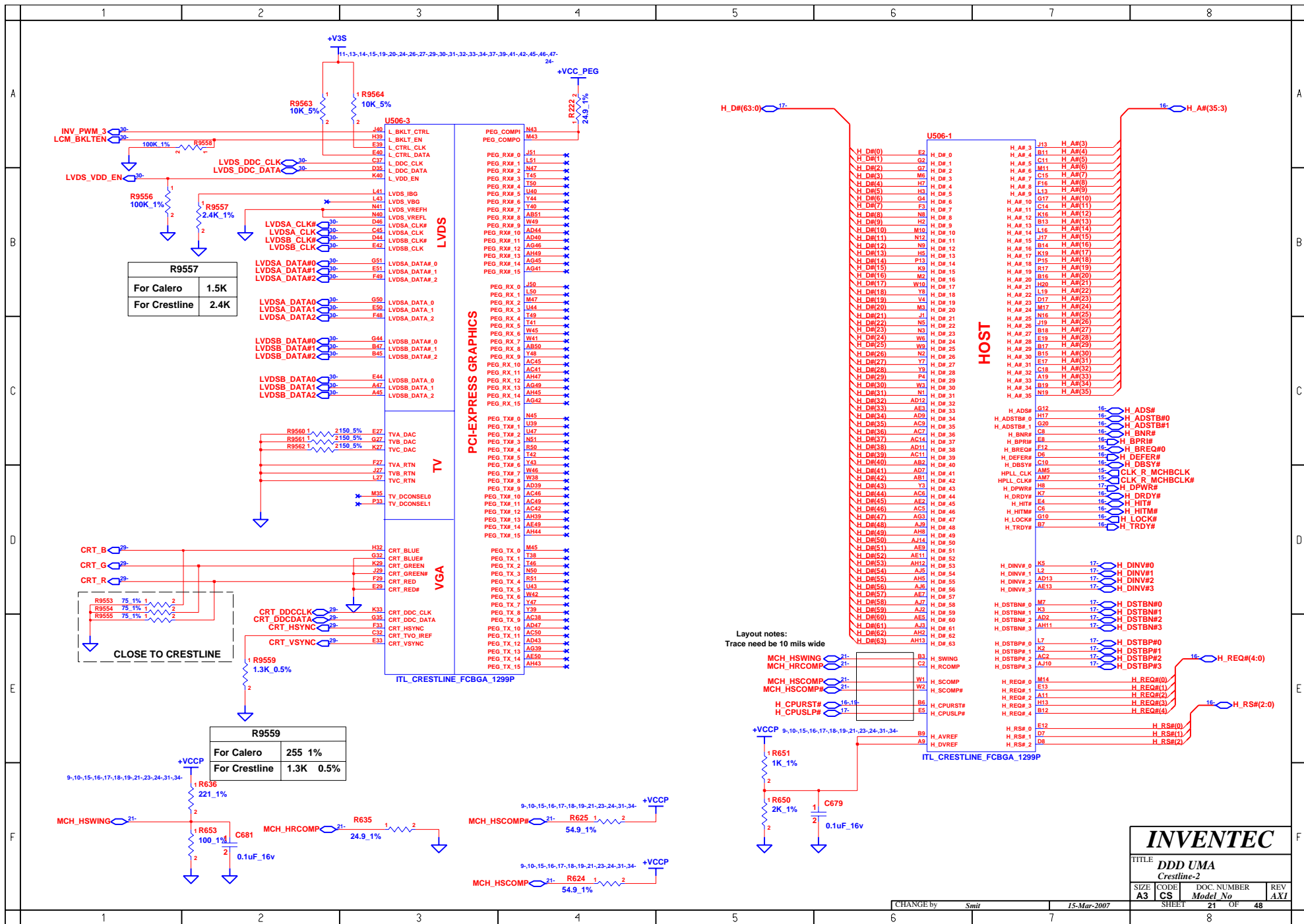


MCH_CFG(18)	LOW=1.05V HIGH=1.5V	MCH_CFG(19) (DMI LANE REVERSAL)	LOW=NORMAL HIGH=LANES REVERSED
MCH_CFG(20) (PCIe BACKWARD INTERPOERABILITY MODE)	LOW=ONLY SDVO OR PCIe X1 IS OPERATIONAL HIGH=SDVO AND PCIe X1 ARE OPERATING SIMULTANEOUSLY VIA THE PEG PORT		



<b>INVENTEC</b>			
TITLE DDD UMA CRESTLINE-1			
SIZE A3	CODE CS	DOC. NUMBER Model No	REV AXI
SHEET 20		OF 48	

CHANGE by Smit 15-Mar-2007

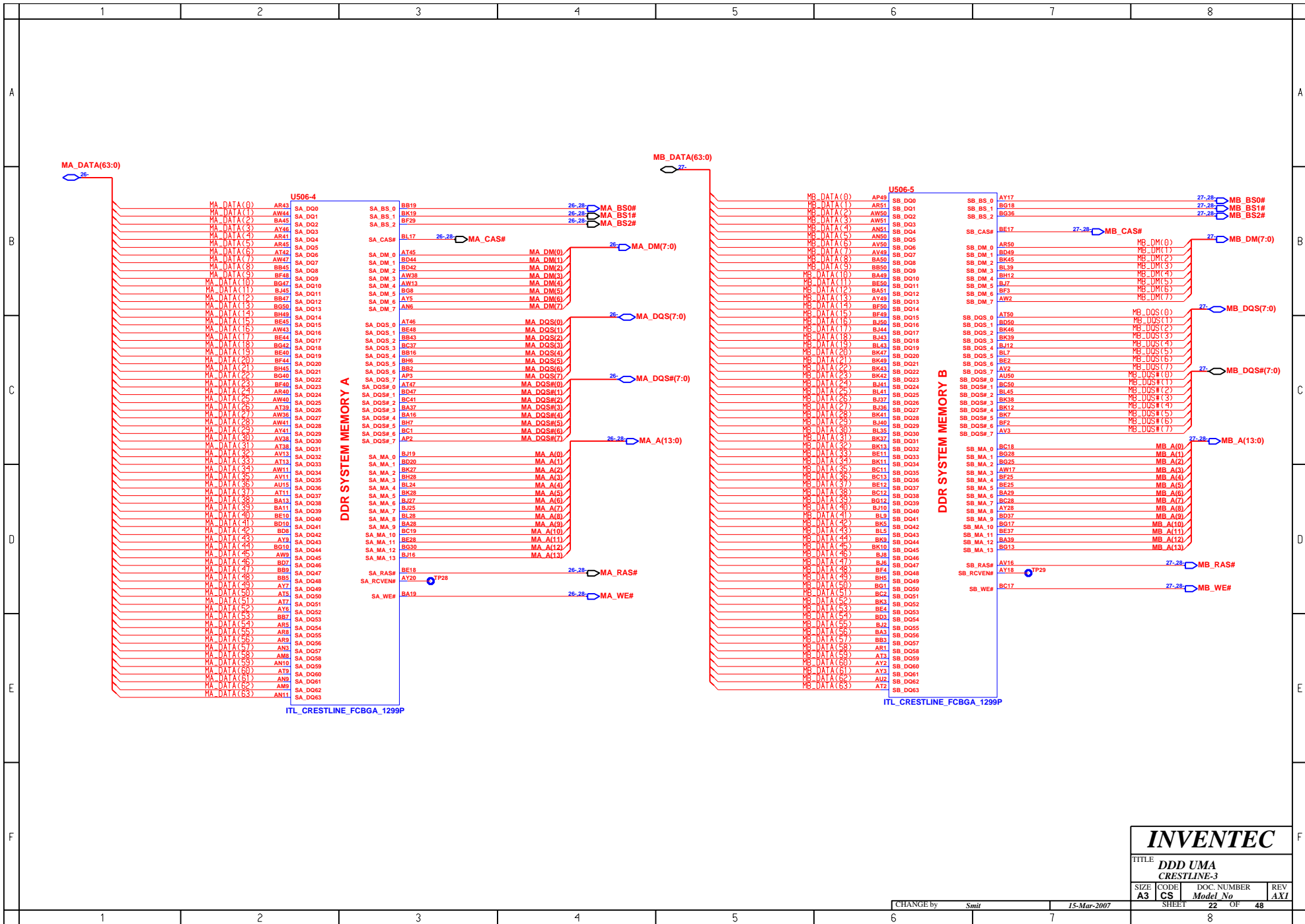


R9557	
For Calero	1.5K
For Crestline	2.4K

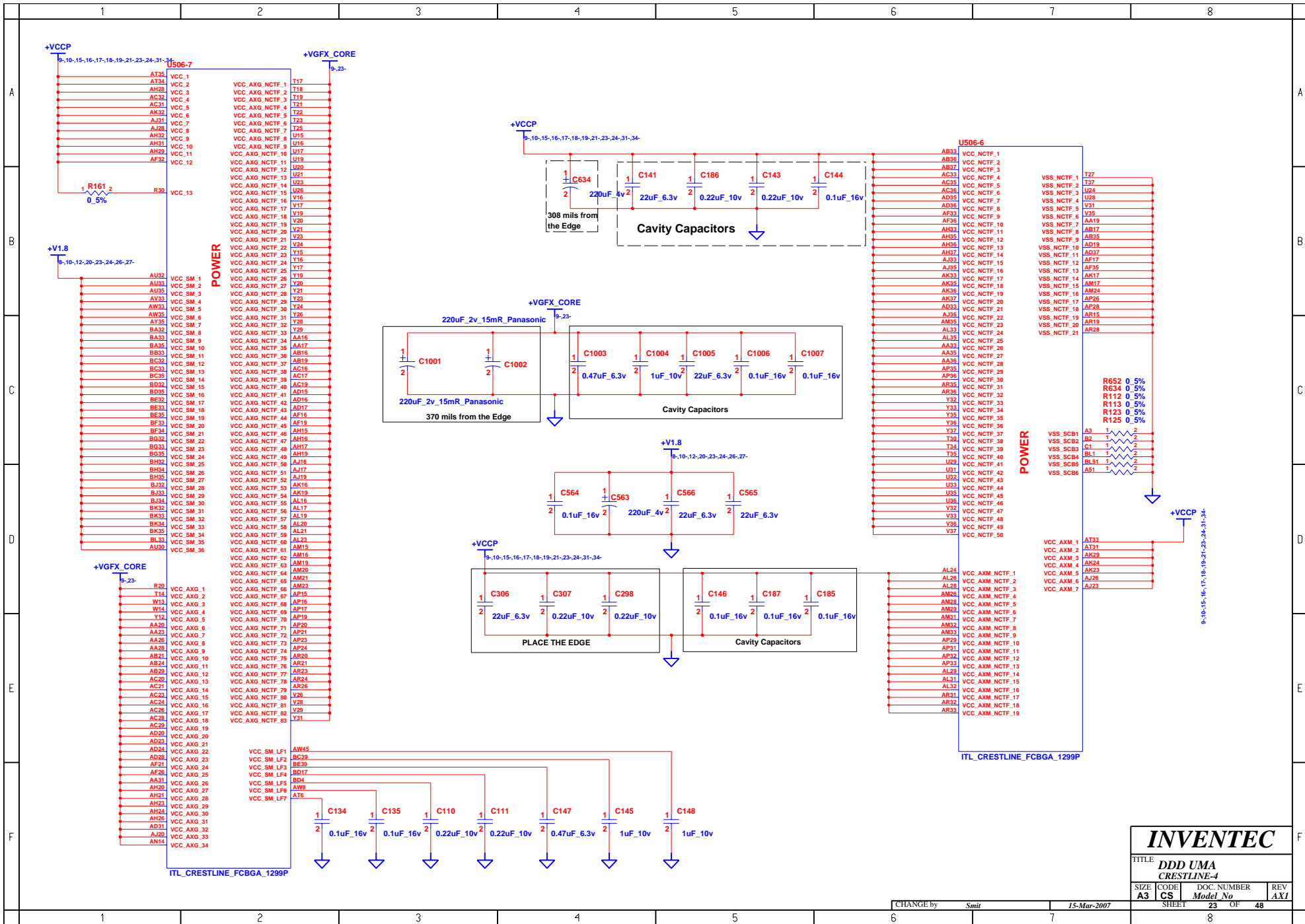
R9559	
For Calero	255 1%
For Crestline	1.3K 0.5%

Layout notes:  
Trace need be 10 mils wide

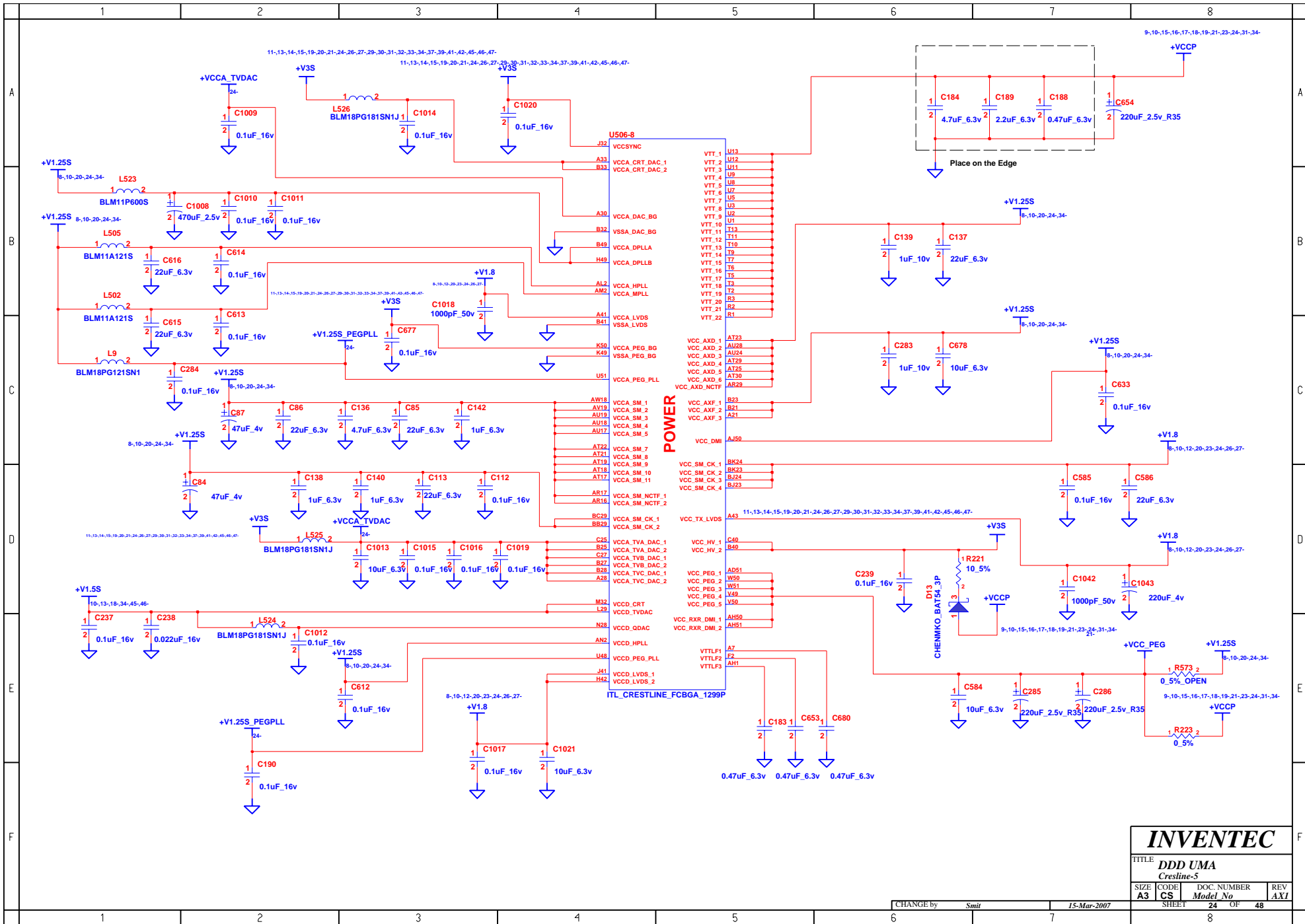
<b>INVENTEC</b>			
TITLE DDD UMA Crestline-2			
SIZE A3	CODE CS	DOC. NUMBER Model No	REV AXI
CHANGE by Smit		15-Mar-2007	
SHEET 21		OF 48	



<b>INVENTEC</b>			
TITLE DDD UMA CRESTLINE-3			
SIZE A3	CODE CS	DOC. NUMBER Model No	REV AX1
CHANGE by Smit		15-Mar-2007	SHEET 22 OF 48

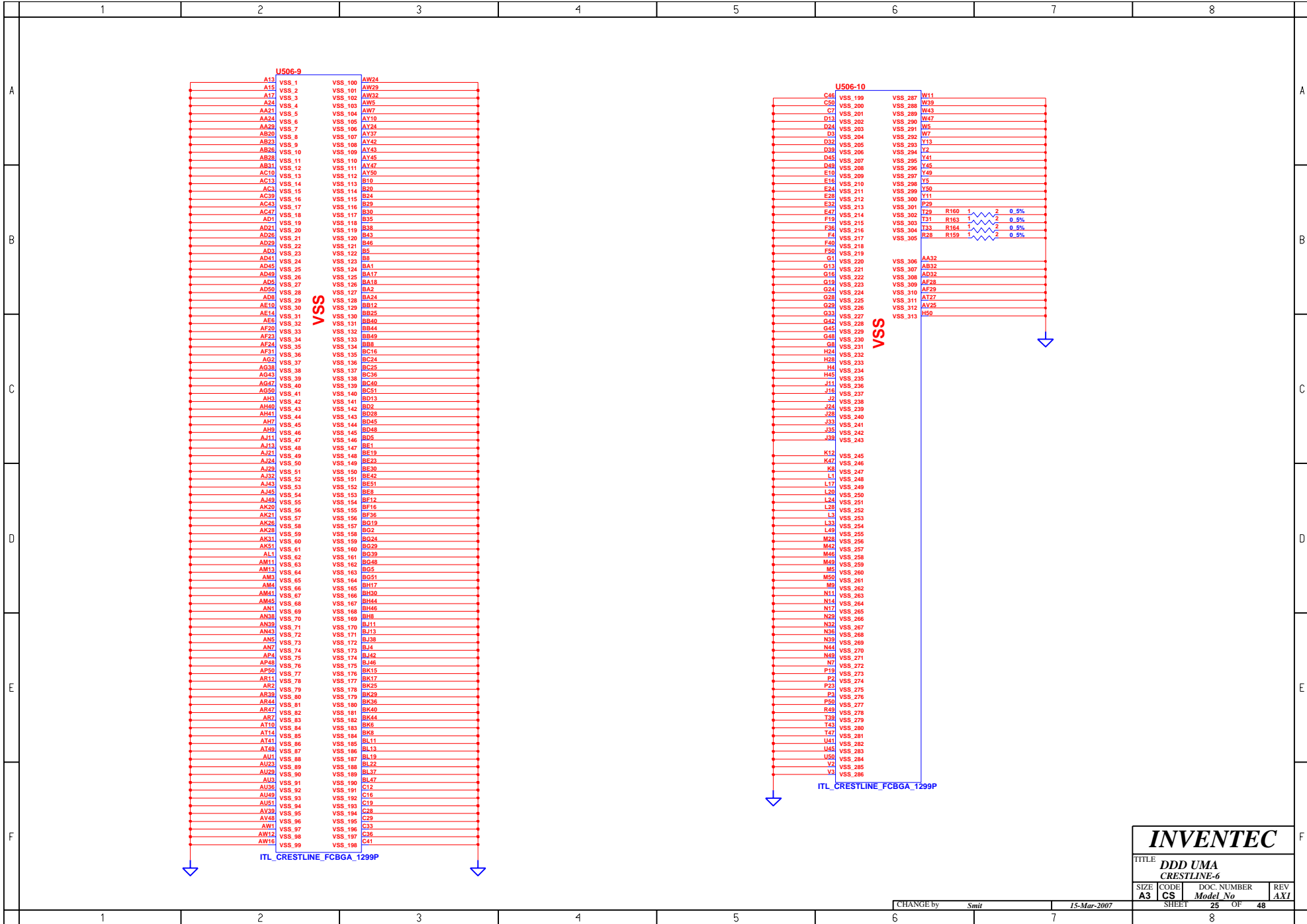


<b>INVENTEC</b>			
TITLE DDD UMA CRESTRINE-4			
SIZE A3	CODE CS	DOC. NUMBER Model No	REV AXI
CHANGE by Smit		15-Mar-2007	
SHEET 23		OF 48	

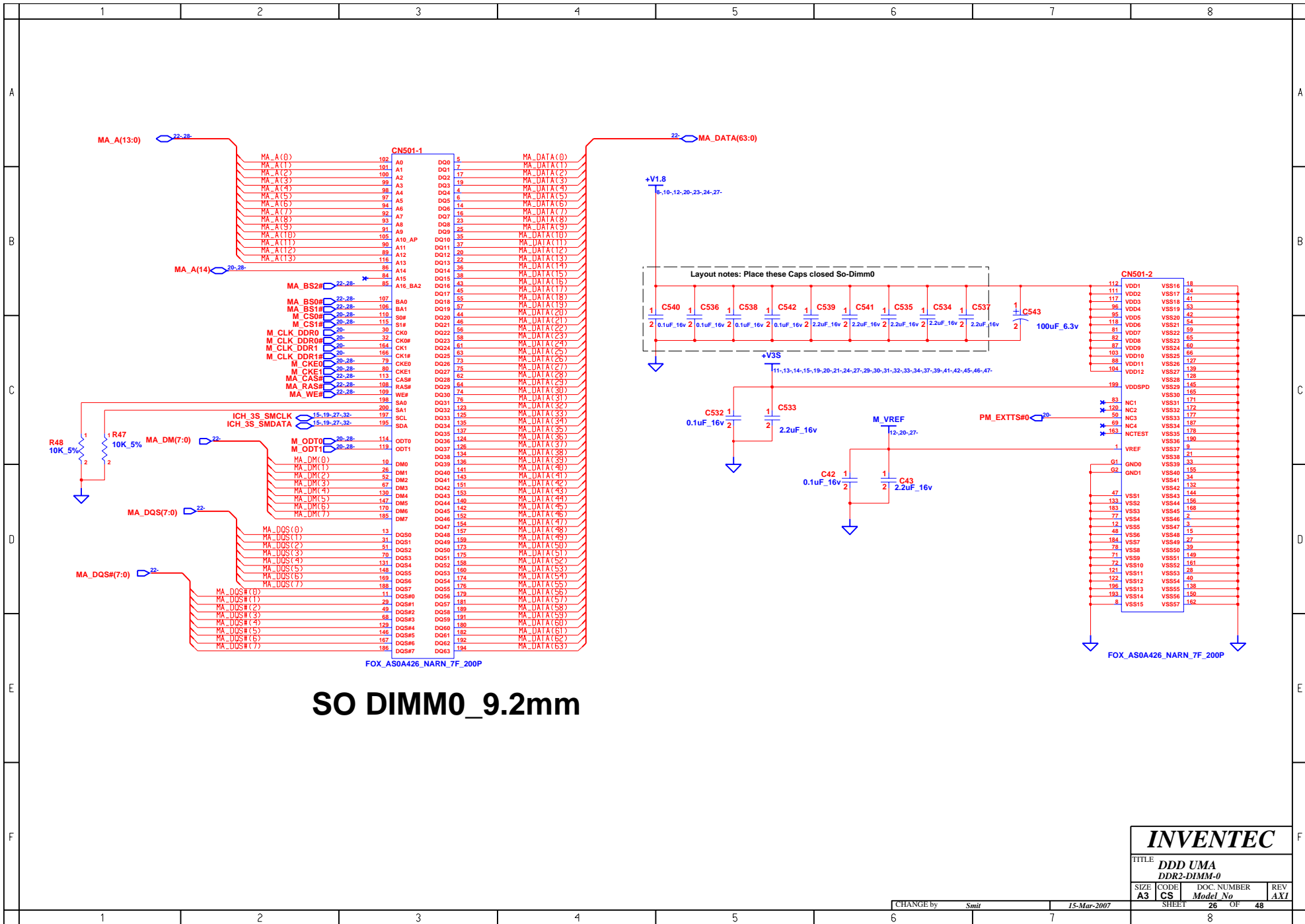


<b>INVENTEC</b>			
TITLE DDD UMA Crestline-5			
SIZE A3	CODE CS	DOC. NUMBER Model No	REV AX1
CHANGE by Smit		15-Mar-2007	
SHEET 24		OF 48	



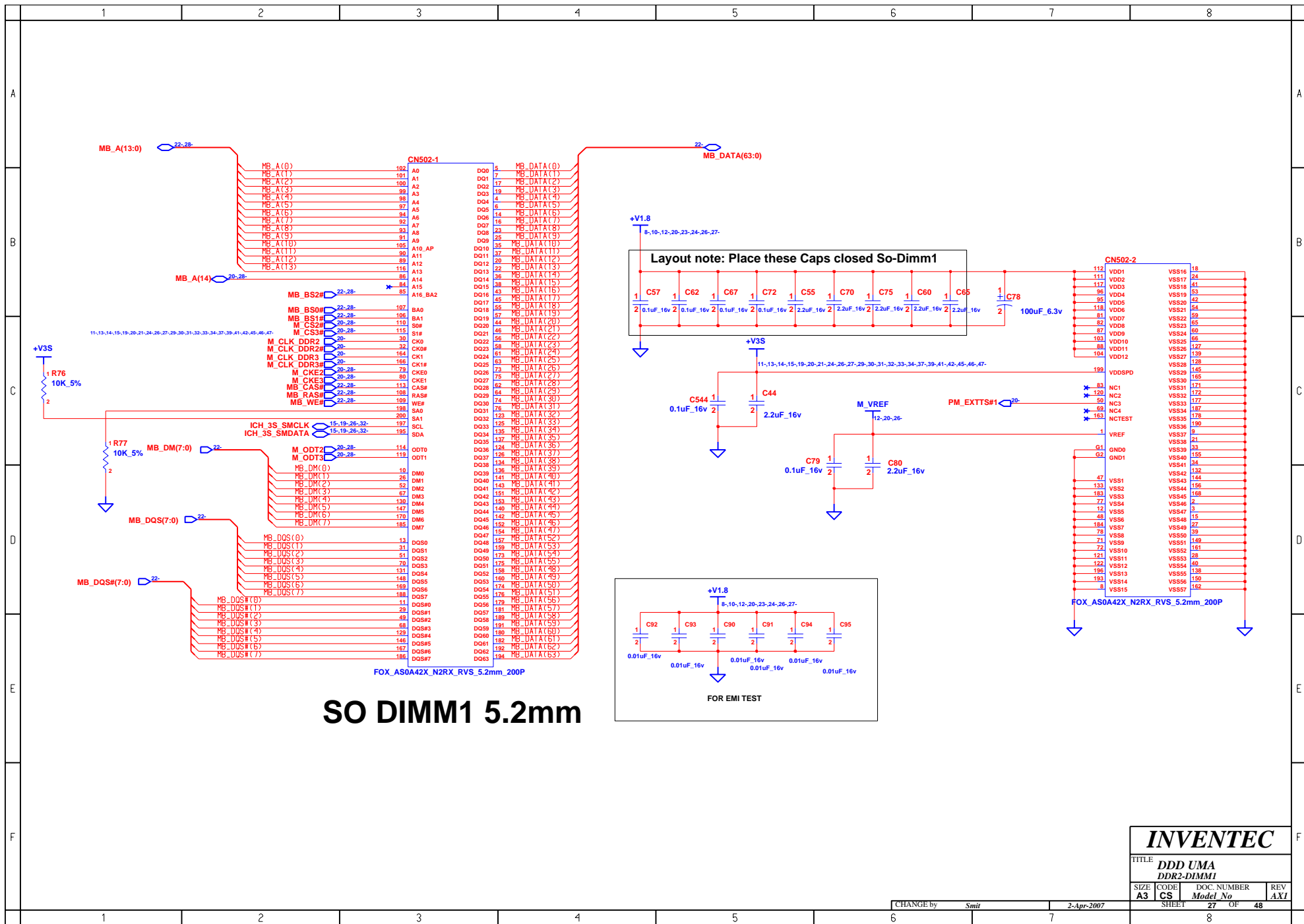


<b>INVENTEC</b>			
TITLE DDD UMA CRESTLINE-6			
SIZE A3	CODE CS	DOC. NUMBER Model No	REV AX1
CHANGE by Smit		15-Mar-2007	
SHEET 25		OF 48	

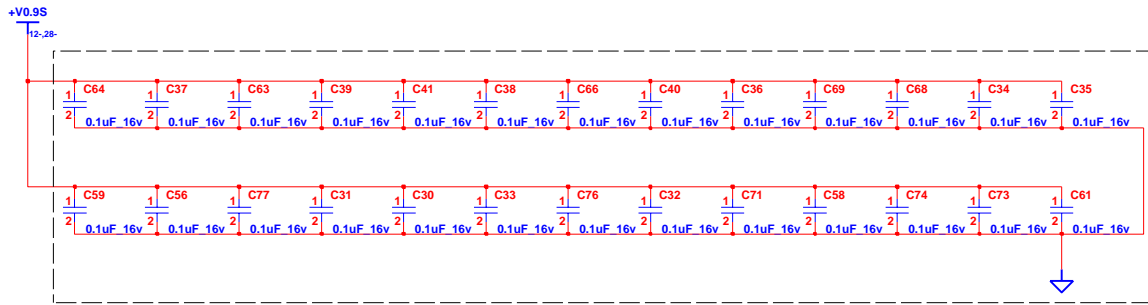


# SO DIMM0\_9.2mm

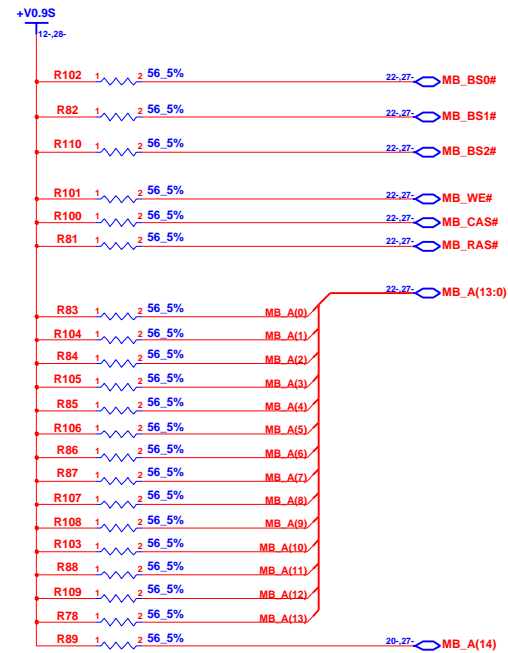
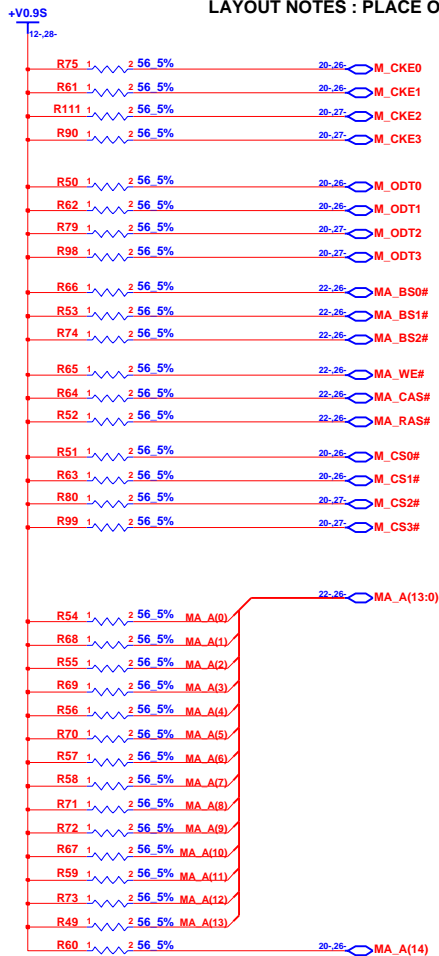
<b>INVENTEC</b>			
TITLE DDD UMA DDR2-DIMM-0			
SIZE A3	CODE CS	DOC. NUMBER Model No	REV AXI
CHANGE by Smit		15-Mar-2007	SHEET 26 OF 48



<b>INVENTEC</b>			
TITLE DDD UMA DDR2-DIMM1			
SIZE A3	CODE CS	DOC. NUMBER Model No	REV AX1
CHANGE by Smit		2-Apr-2007	SHEET 27 OF 48



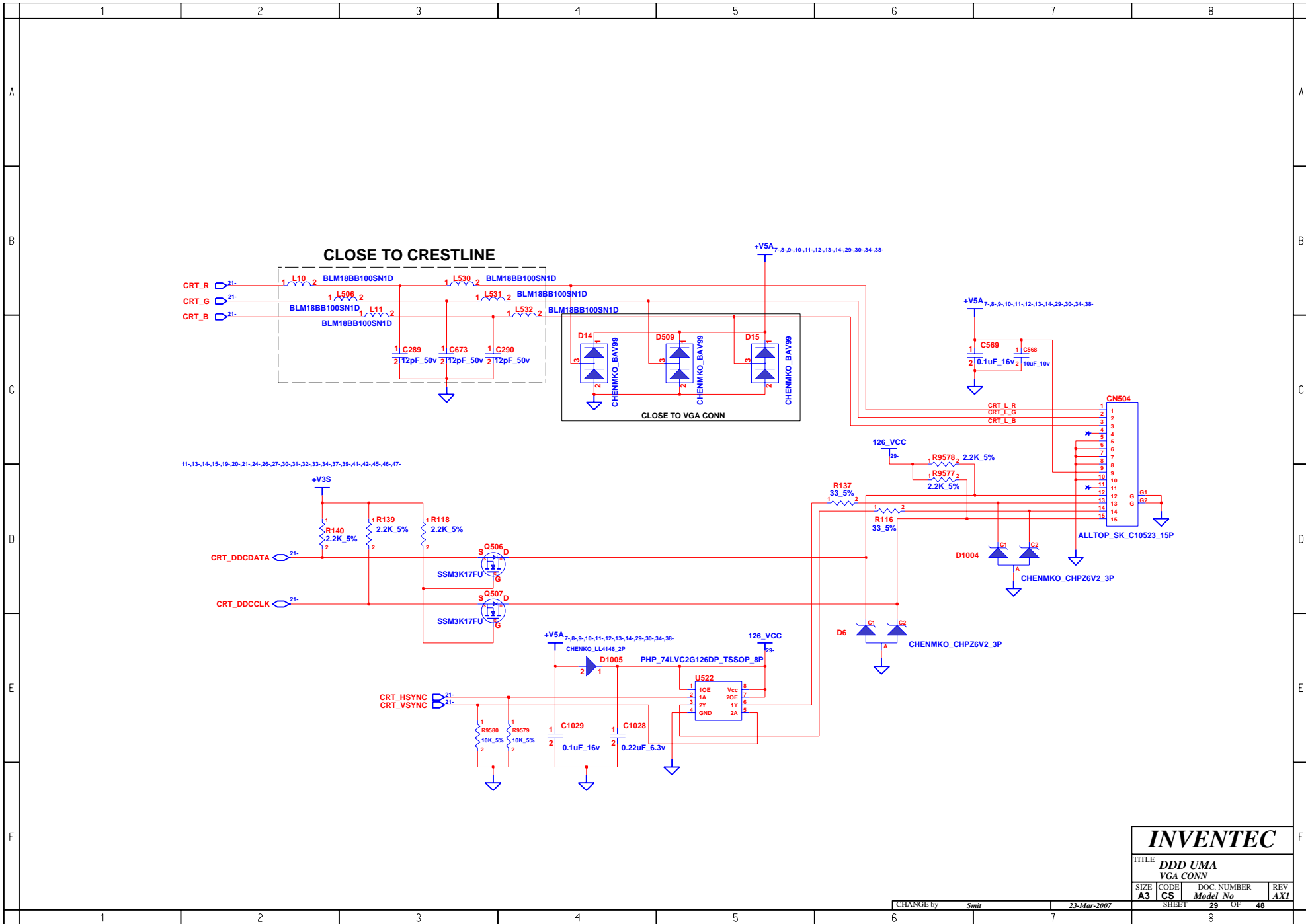
LAYOUT NOTES : PLACE ONE CAP CLOSE TO EVERY 2 PULL UP RESISTOR TERMINATED TO +V0.9S



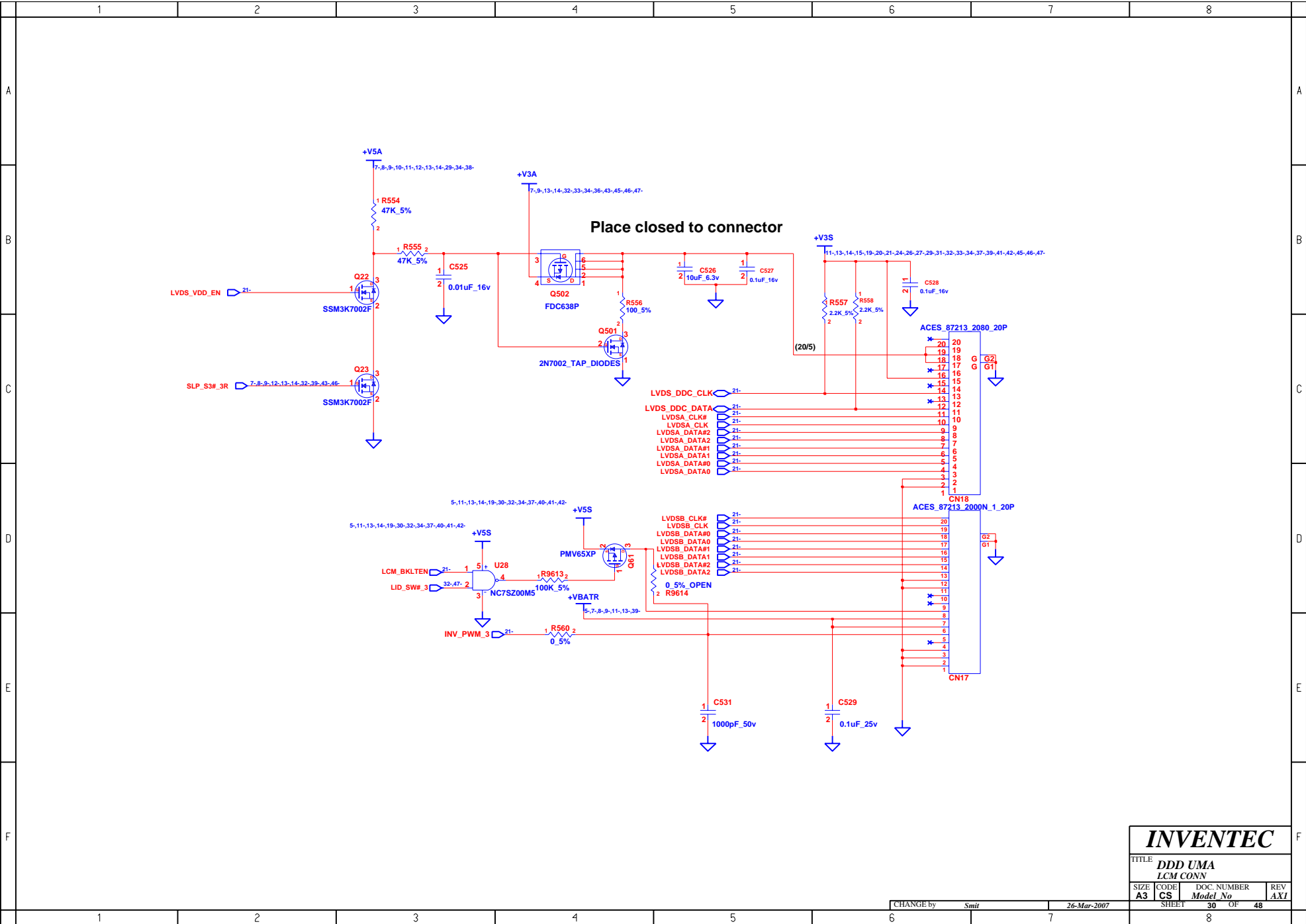
# INVENTEC

TITLE			
DDD UMA			
DDR2-DAMPING			
SIZE	CODE	DOC NUMBER	REV
A3	CS	Model No	AXI
SHEET		28	OF 48

CHANGE by *Smit* 27-Sep-2003



<b>INVENTEC</b>			
TITLE DDD UMA VGA CONN			
SIZE A3	CODE CS	DOC. NUMBER Model No	REV AXI
CHANGE by Smit		23-Mar-2007	SHEET 29 OF 48



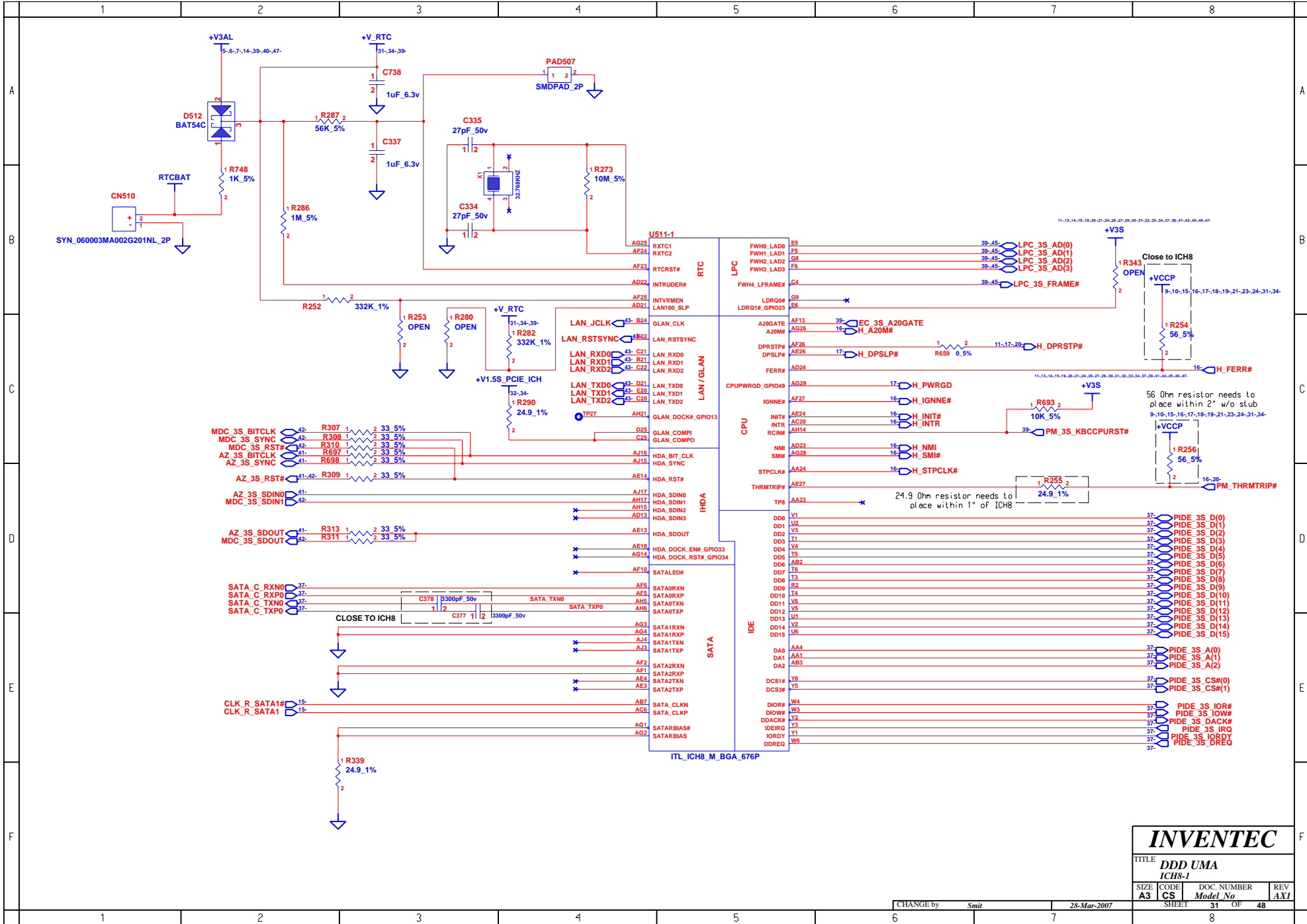
**INVENTEC**

TITLE  
**DDD UMA**  
**LCM CONN**

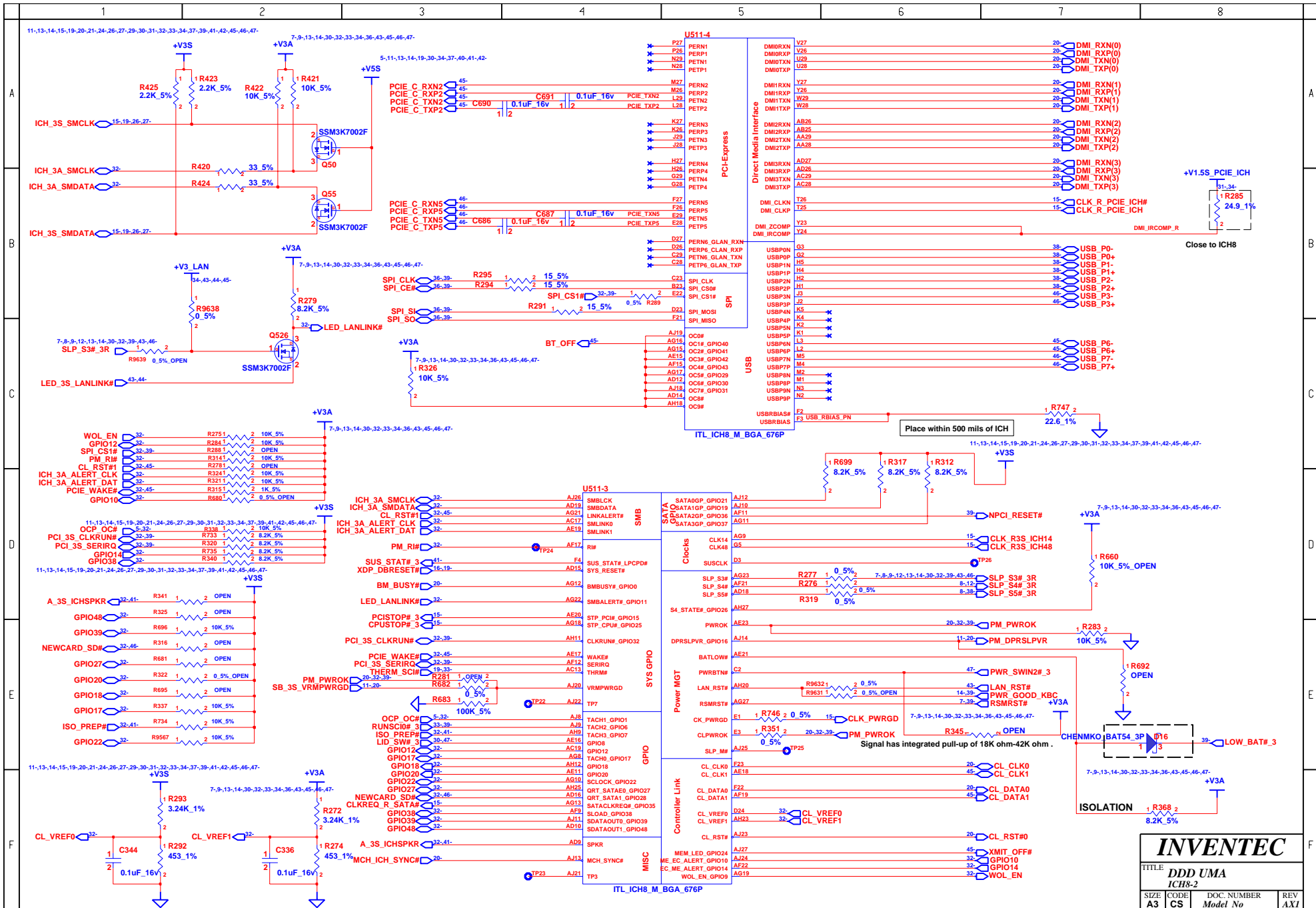
SIZE <b>A3</b>	CODE <b>CS</b>	DOC. NUMBER <i>Model No</i>	REV <b>AXI</b>
-------------------	-------------------	--------------------------------	-------------------

CHANGE by *Smit* 26-Mar-2007

SHEET 30 OF 48



<b>INVENTEC</b>			
TITLE <b>DDD UMA ICH8-1</b>			
SIZE	CODE	DOC. NUMBER	REV
A3	CS	Model No	AXI
CHANGE by		Smit	28-Mar-2007
SHEET		31	OF 48



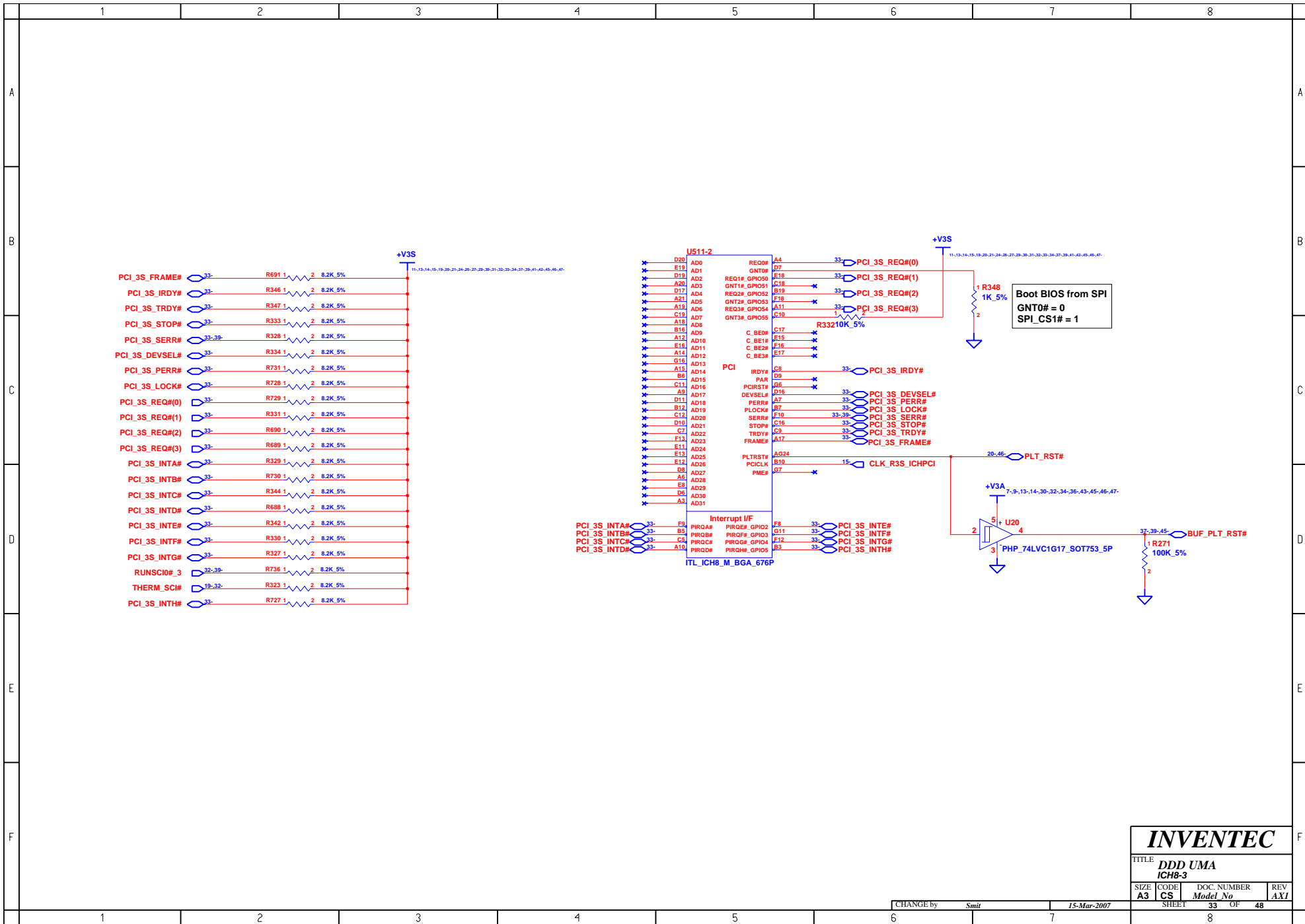
**INVENTEC**

TITLE: **DDD UMA ICH8-2**

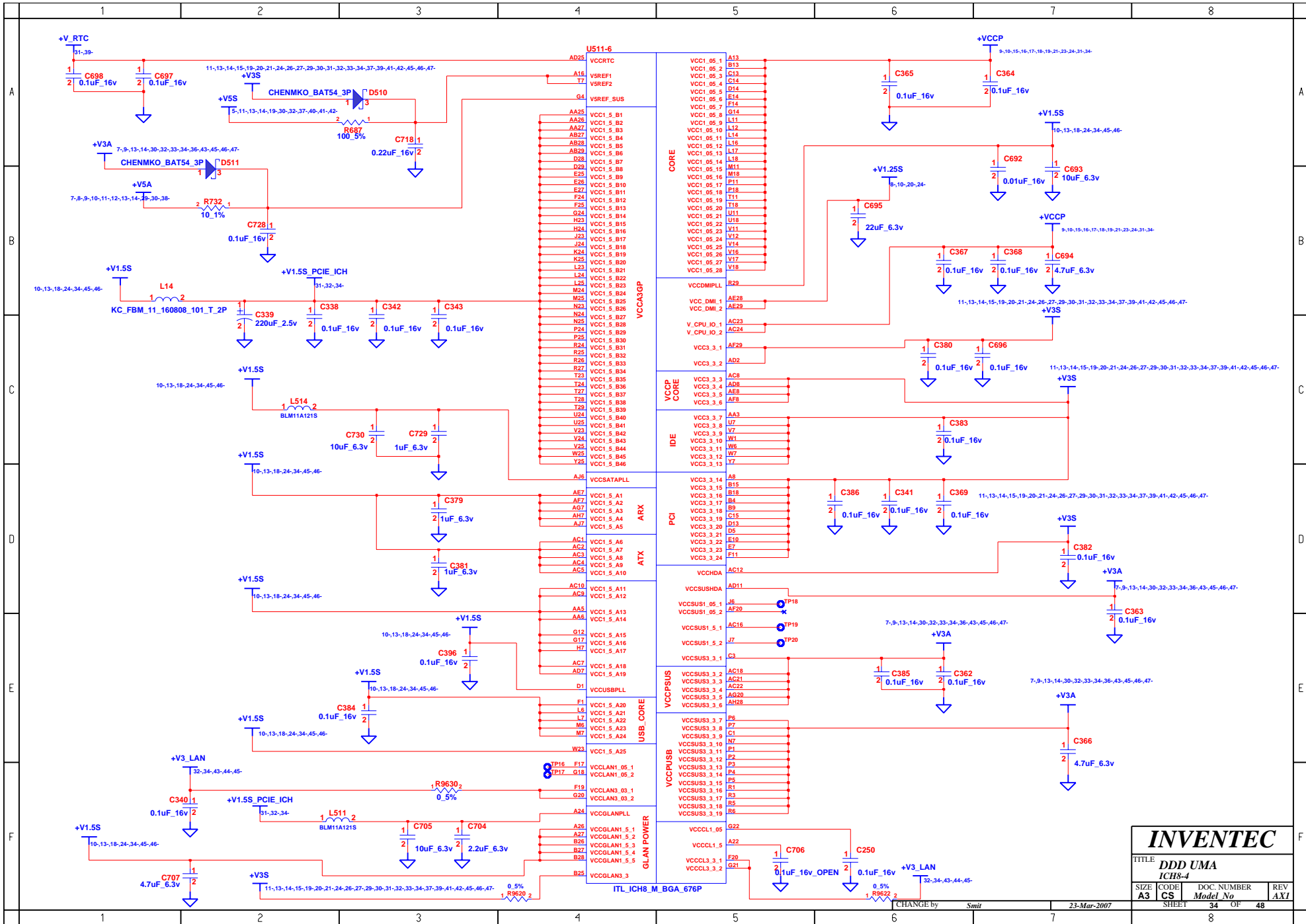
SIZE	CODE	DOC. NUMBER	REV
A3	CS	Model No	AX1

SHEET **32** OF **48**





<b>INVENTEC</b>			
TITLE <b>DDD UMA</b> <b>ICH8-3</b>			
SIZE <b>A3</b>	CODE <b>CS</b>	DOC. NUMBER <i>Model No</i>	REV <b>AXI</b>
CHANGE by <i>Smit</i>		15-Mar-2007	
SHEET		33 OF 48	



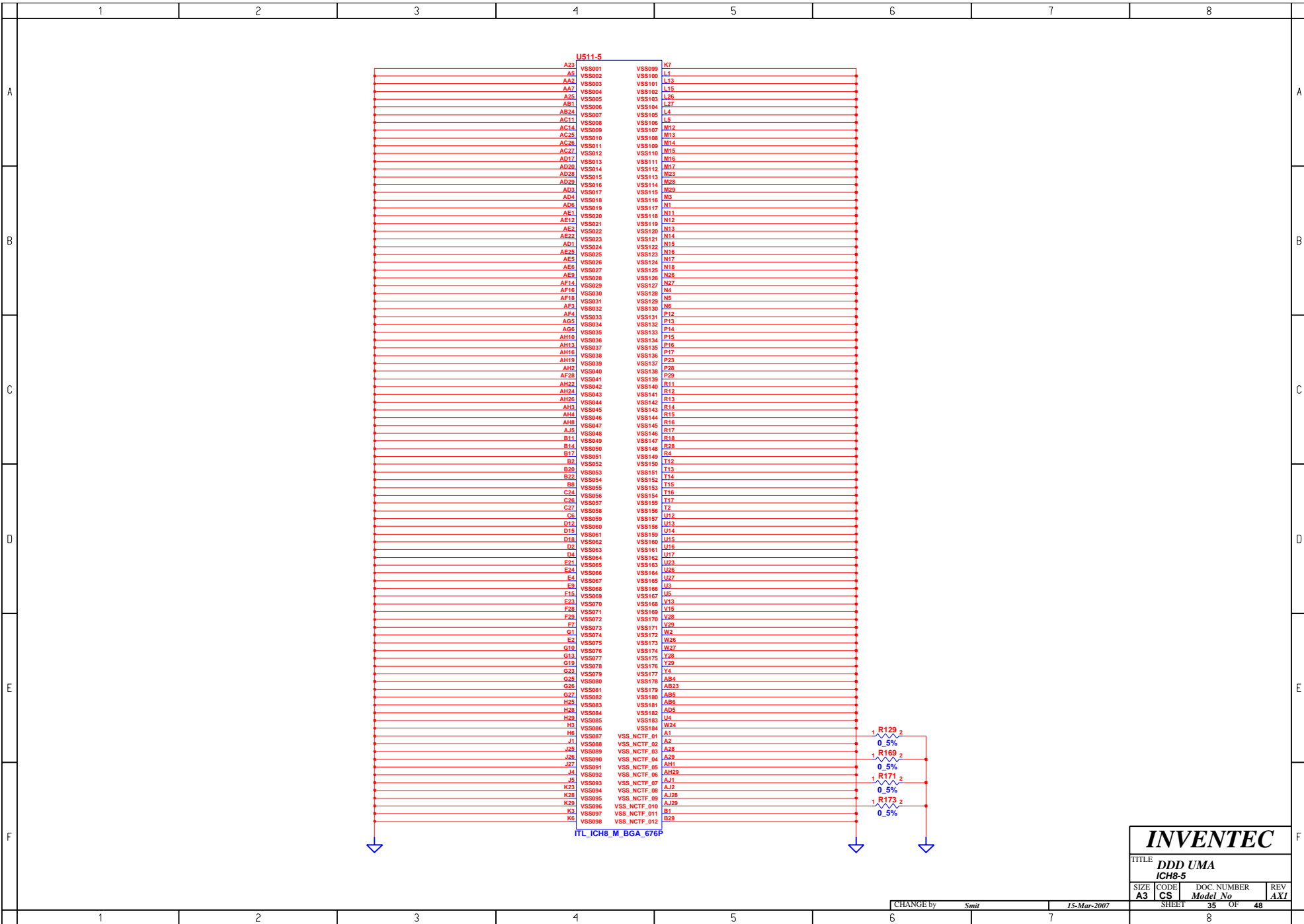
**INVENTEC**

TITLE: **DDD UMA ICH8-4**

SIZE	CODE	DOC. NUMBER	REV
A3	CS	Model No	AXI

CHANGE by *Smit* 23-Mar-2007

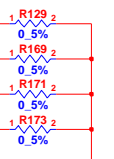
SHEET 34 OF 48



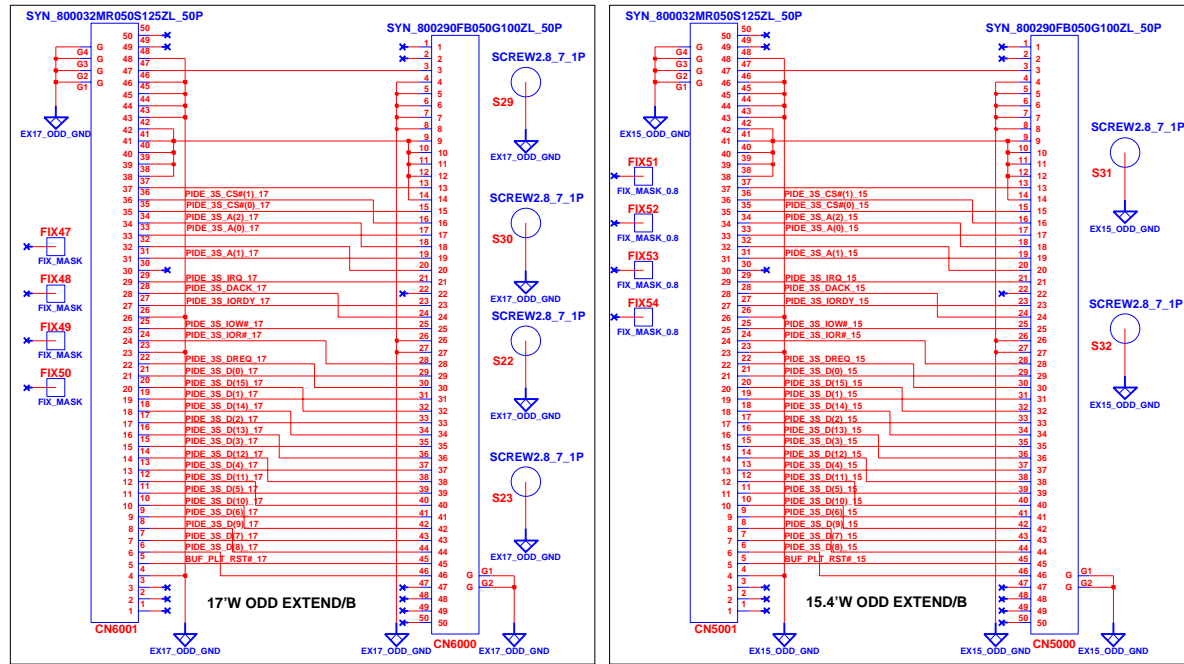
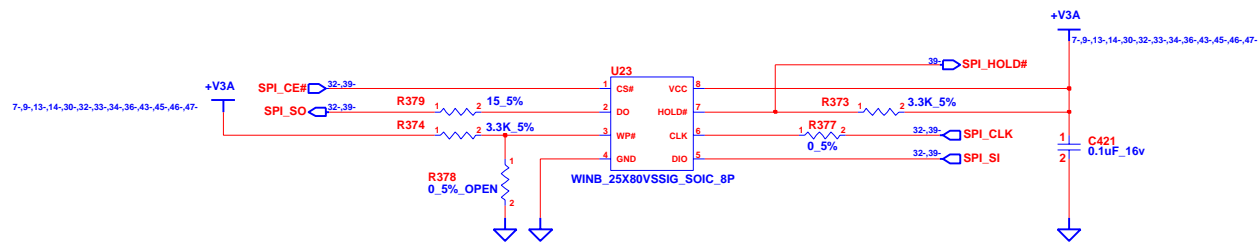
US11-5

- A23 VSS001 VSS099 K7
- AA VSS002 VSS100 L1
- AA2 VSS003 VSS101 L13
- AA7 VSS004 VSS102 L15
- AA8 VSS005 VSS103 L26
- AB1 VSS006 VSS104 L27
- AB24 VSS007 VSS105 L4
- AC11 VSS008 VSS106 L9
- AC14 VSS009 VSS107 M2
- AC25 VSS010 VSS108 M13
- AC28 VSS011 VSS109 M14
- AC27 VSS012 VSS110 M15
- AD17 VSS013 VSS111 M16
- AD20 VSS014 VSS112 M17
- AD28 VSS015 VSS113 M23
- AD29 VSS016 VSS114 M28
- AD3 VSS017 VSS115 M29
- AD4 VSS018 VSS116 M3
- AD6 VSS019 VSS117 N1
- AE1 VSS020 VSS118 N11
- AE12 VSS021 VSS119 N12
- AE2 VSS022 VSS120 N13
- AE22 VSS023 VSS121 N14
- AD1 VSS024 VSS122 N15
- AE26 VSS025 VSS123 N16
- AE5 VSS026 VSS124 N17
- AE6 VSS027 VSS125 N18
- AE9 VSS028 VSS126 N29
- AF14 VSS029 VSS127 N27
- AF16 VSS030 VSS128 N4
- AF18 VSS031 VSS129 N5
- AF3 VSS032 VSS130 N6
- AF4 VSS033 VSS131 P12
- AG5 VSS034 VSS132 P13
- AG6 VSS035 VSS133 P14
- AH10 VSS036 VSS134 P15
- AH13 VSS037 VSS135 P16
- AH16 VSS038 VSS136 P17
- AH19 VSS039 VSS137 P23
- AF28 VSS040 VSS138 P28
- AH22 VSS041 VSS139 P29
- AH24 VSS042 VSS140 R11
- AH26 VSS043 VSS141 R12
- AH3 VSS044 VSS142 R13
- AH33 VSS045 VSS143 R14
- AH4 VSS046 VSS144 R15
- AH8 VSS047 VSS145 R16
- AJ5 VSS048 VSS146 R17
- B11 VSS049 VSS147 R18
- B14 VSS050 VSS148 R28
- B17 VSS051 VSS149 R4
- B2 VSS052 VSS150 T12
- B20 VSS053 VSS151 T13
- B22 VSS054 VSS152 T14
- B6 VSS055 VSS153 T15
- C24 VSS056 VSS154 T16
- C28 VSS057 VSS155 T17
- C27 VSS058 VSS156 T2
- C6 VSS059 VSS157 U12
- D12 VSS060 VSS158 U13
- D15 VSS061 VSS159 U14
- D18 VSS062 VSS160 U15
- D2 VSS063 VSS161 U16
- D4 VSS064 VSS162 U17
- E21 VSS065 VSS163 U23
- E24 VSS066 VSS164 U26
- E4 VSS067 VSS165 U27
- E9 VSS068 VSS166 U3
- F15 VSS069 VSS167 U5
- F24 VSS070 VSS168 V13
- F28 VSS071 VSS169 V15
- F29 VSS072 VSS170 V28
- F7 VSS073 VSS171 V29
- G1 VSS074 VSS172 W2
- E2 VSS075 VSS173 W26
- G10 VSS076 VSS174 W27
- G13 VSS077 VSS175 Y28
- G19 VSS078 VSS176 Y29
- G23 VSS079 VSS177 Y4
- G25 VSS080 VSS178 AB4
- G26 VSS081 VSS179 AB23
- G27 VSS082 VSS180 AB5
- H25 VSS083 VSS181 AB6
- H28 VSS084 VSS182 AD5
- H29 VSS085 VSS183 AD
- H3 VSS086 VSS184 W24
- H6 VSS087 VSS\_NCTF\_01 A1
- J1 VSS088 VSS\_NCTF\_02 A2
- J26 VSS089 VSS\_NCTF\_03 A28
- J26 VSS090 VSS\_NCTF\_04 A29
- J27 VSS091 VSS\_NCTF\_05 AH1
- J4 VSS092 VSS\_NCTF\_06 AH29
- J5 VSS093 VSS\_NCTF\_07 A11
- K23 VSS094 VSS\_NCTF\_08 A12
- K28 VSS095 VSS\_NCTF\_09 AJ28
- K29 VSS096 VSS\_NCTF\_10 AJ29
- K3 VSS097 VSS\_NCTF\_11 B1
- K6 VSS098 VSS\_NCTF\_12 B9

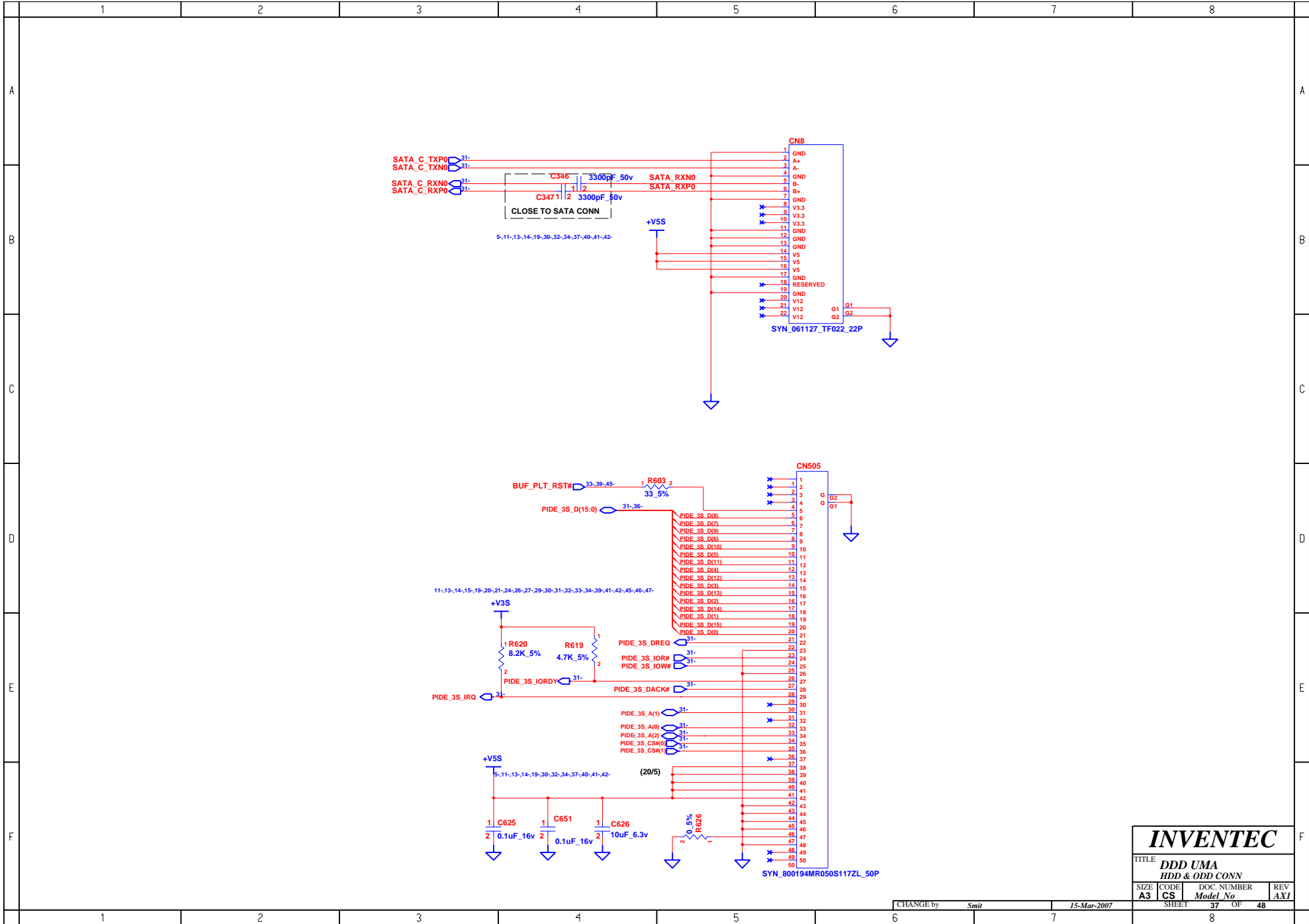
ITL\_ICH8\_M\_BGA\_676P



<b>INVENTEC</b>			
TITLE DDD UMA ICH8-5			
SIZE A3	CODE CS	DOC. NUMBER Model No	REV AXI
CHANGE by Smit		15-Mar-2007	
SHEET 35		OF 48	
1		8	

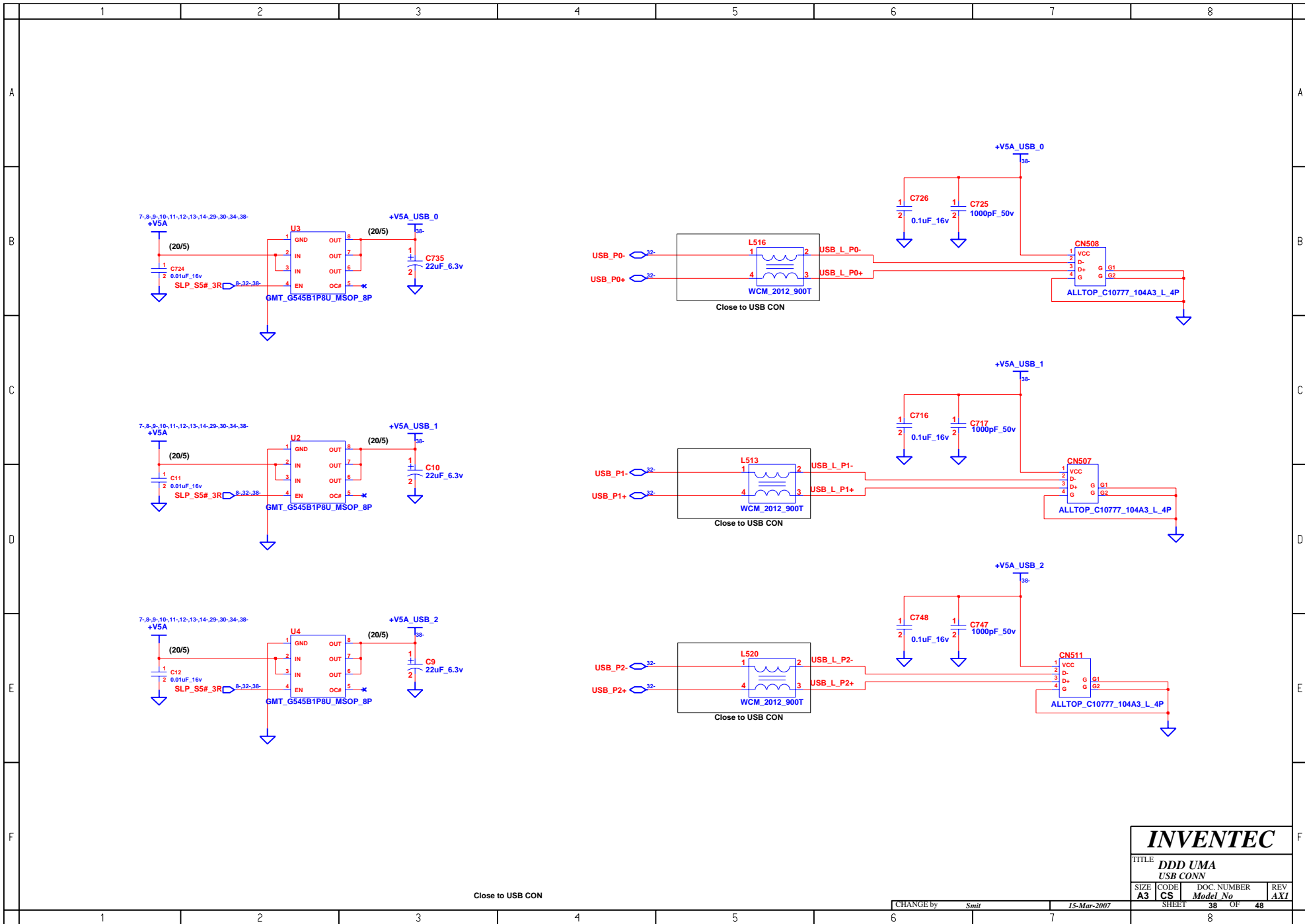


<b>INVENTEC</b>			
TITLE <b>DDD UMA</b>			
SYSTEM BIOS&ODD EXT/B			
SIZE	CODE	DOC. NUMBER	REV
A3	CS	Model No	AX1
CHANGE by		Smit	15-Mar-2007
SHEET		36	OF 48



<b>INVENTEC</b>			
TITLE DDD UMA HDD & ODD CONN			
SIZE A3	CODE CS	DOC. NUMBER Model No	REV AX1
SHEET		37	OF 48

CHANGE by Smit 15-Mar-2007

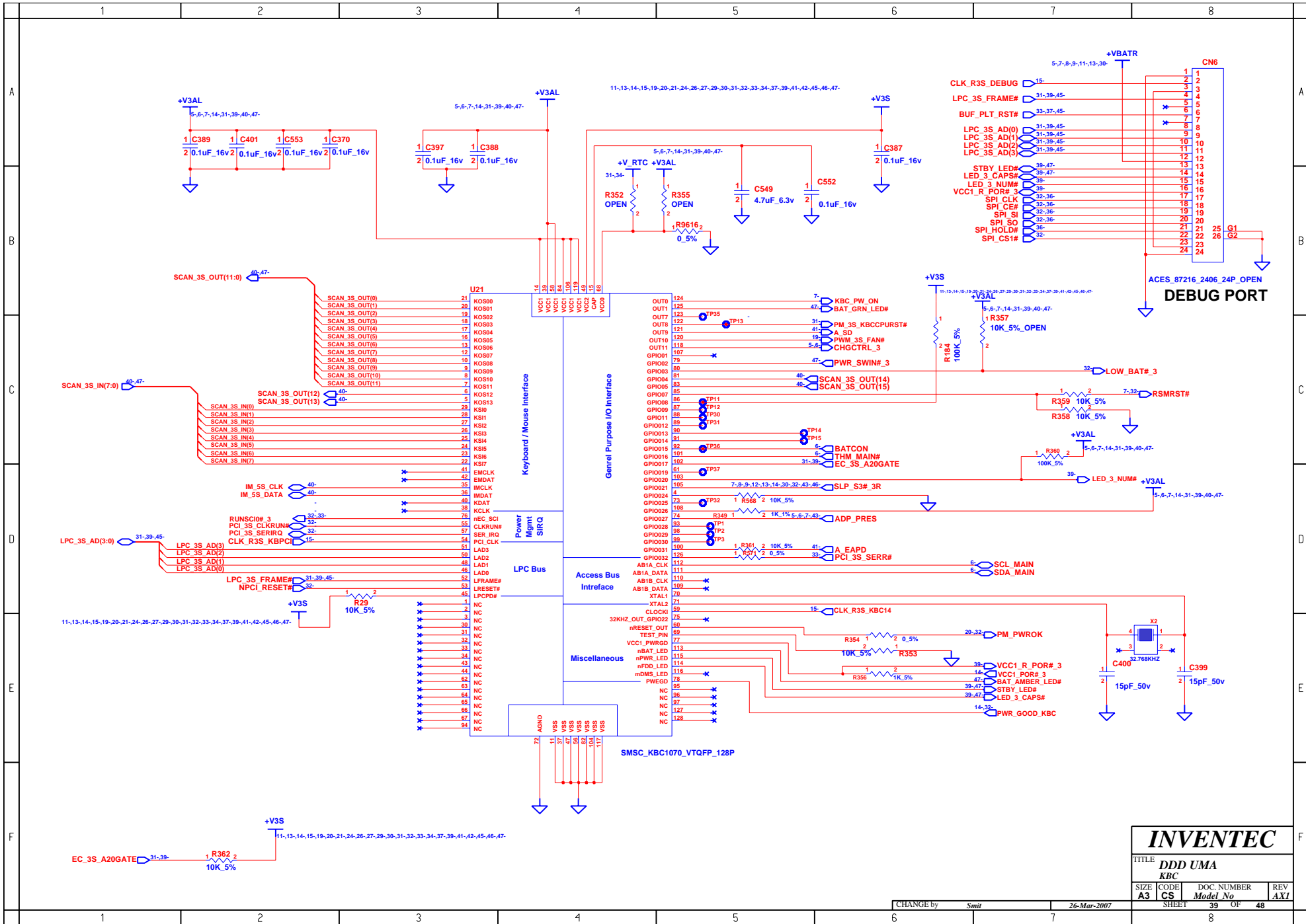


Close to USB CON

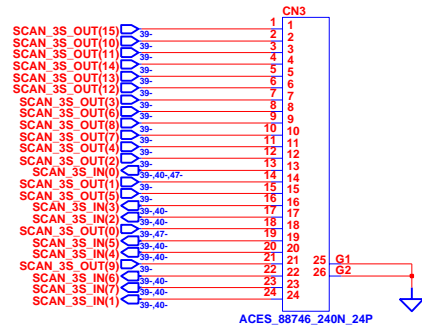
# INVENTEC

TITLE			
DDD UMA			
USB CONN			
SIZE	CODE	DOC. NUMBER	REV
A3	CS	Model No	AXI
SHEET			OF
38			48

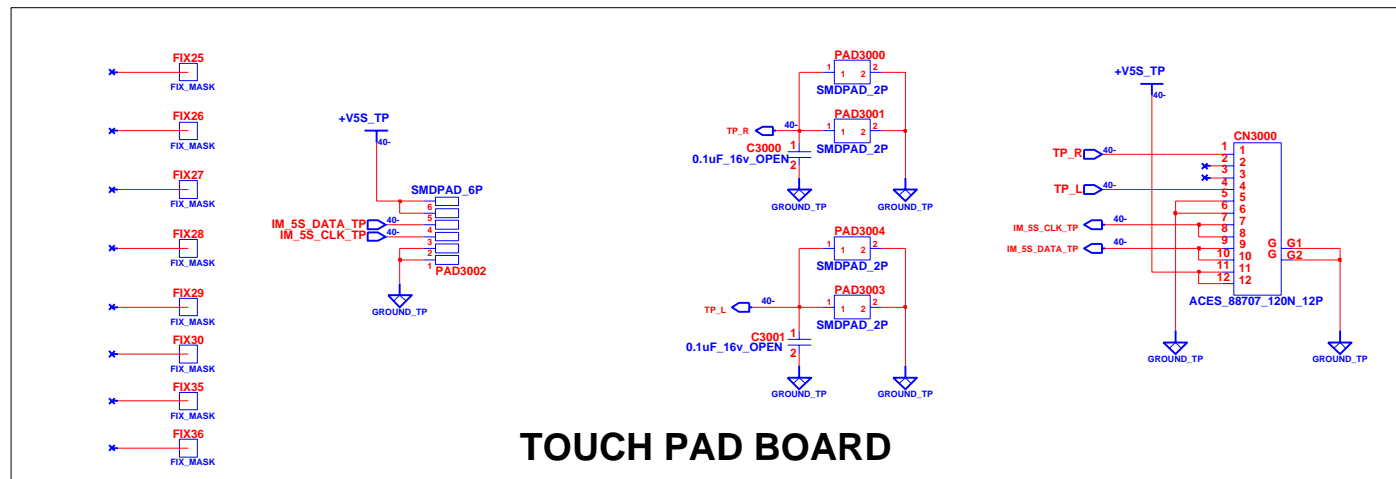
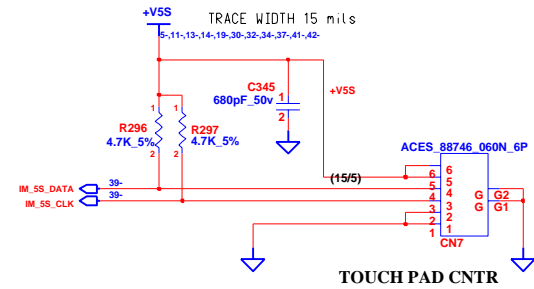
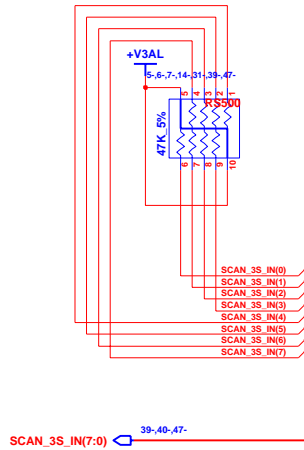
CHANGE by Smit 15-Mar-2007



<b>INVENTEC</b>			
TITLE <b>DDD UMA</b>			
KBC			
SIZE <b>A3</b>	CODE <b>CS</b>	DOC. NUMBER <i>Model No</i>	REV <b>AX1</b>
CHANGE by <i>Smit</i>		26-Mar-2007	
SHEET <b>39</b>		OF <b>48</b>	



KEYBOARD CONN



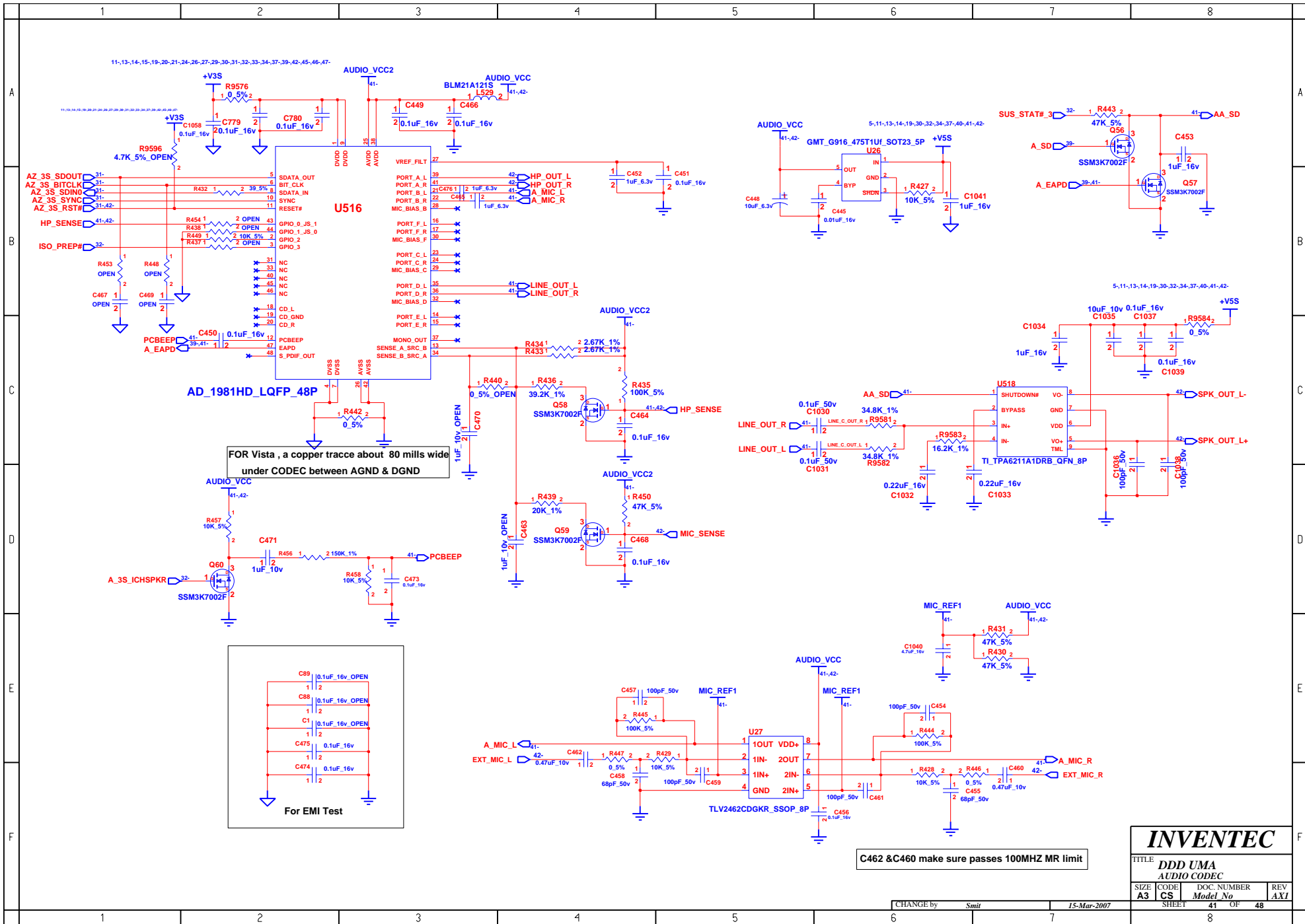
**INVENTEC**

TITLE			
DDD UMA			
KB & TP CONN			
SIZE	CODE	DOC. NUMBER	REV
A3	CS	Model No	AXI

CHANGE by Smit 15-Mar-2007

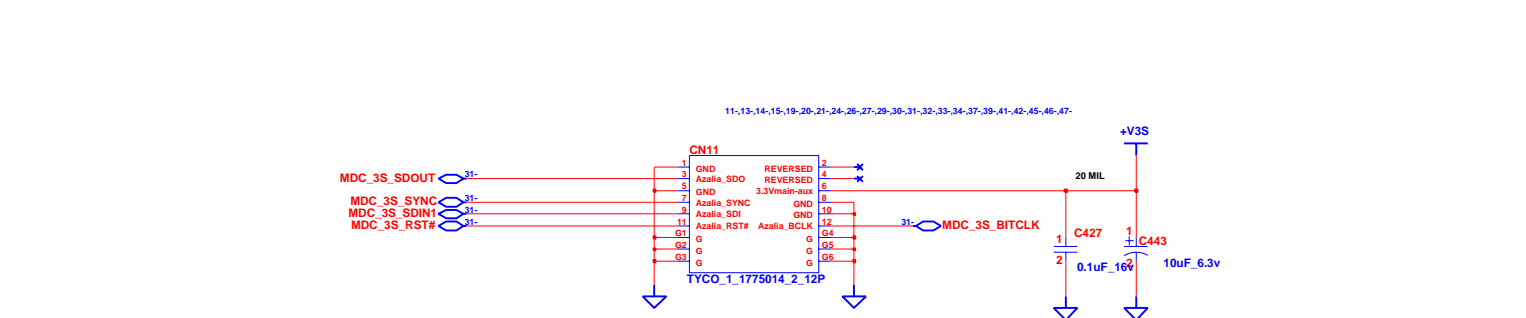
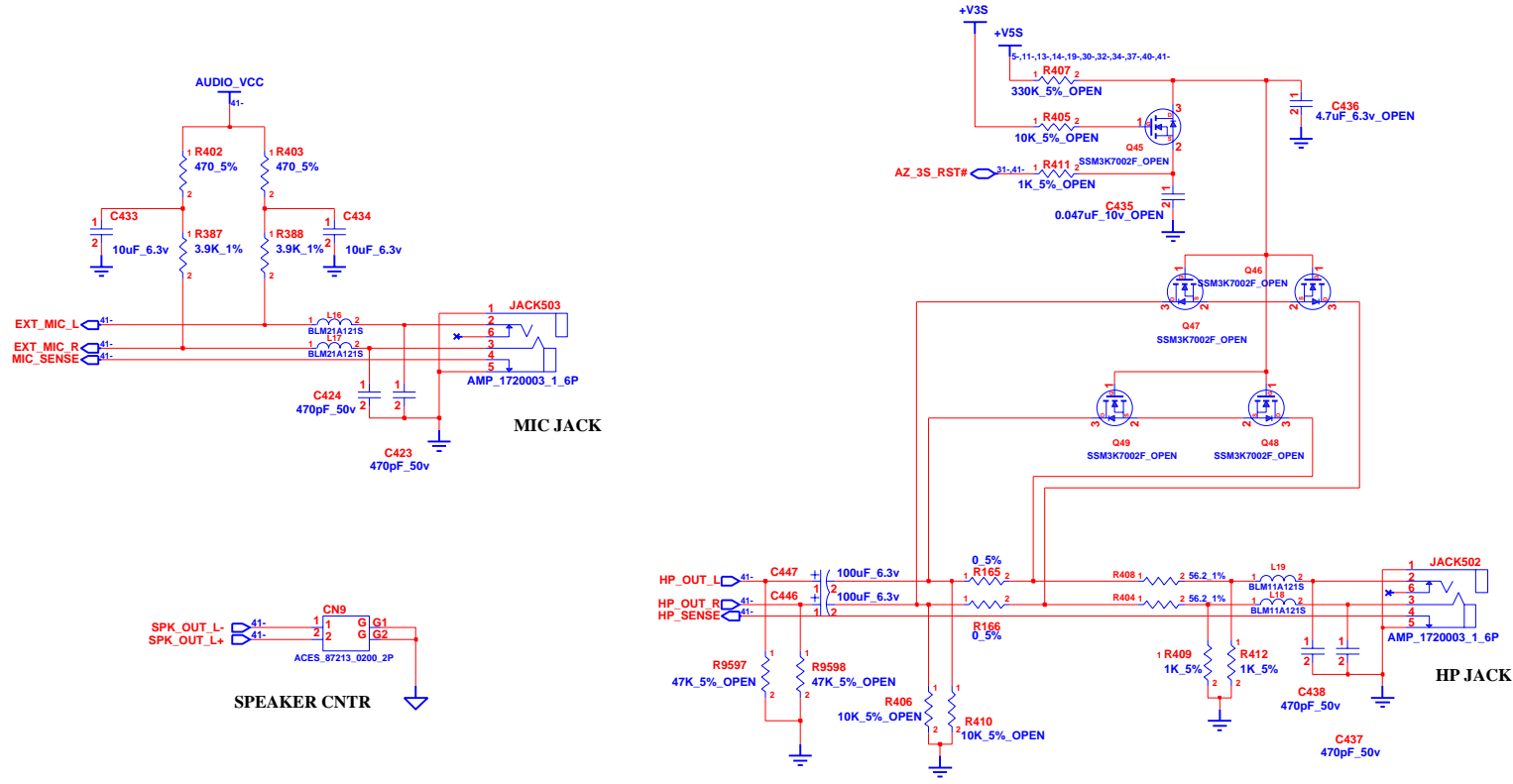
SHEET 40 OF 48





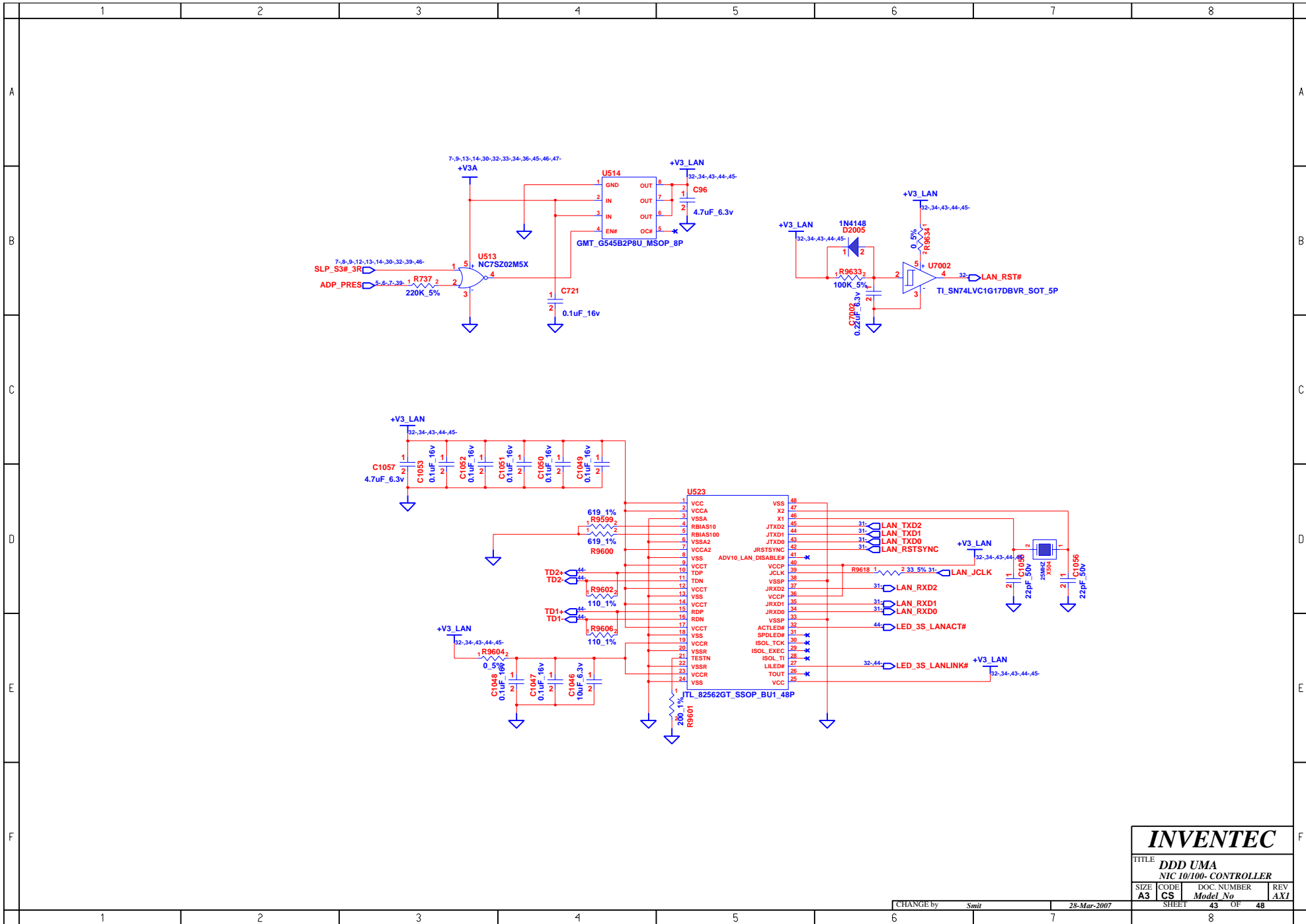
<b>INVENTEC</b>			
TITLE DDD UMA AUDIO CODEC			
SIZE A3	CODE CS	DOC. NUMBER Model No	REV AX1
CHANGE by Smit		15-Mar-2007	
SHEET 41		OF 48	

11-13-14-15-19-20-21-24-26-27-29-30-31-32-33-34-37-39-41-42-45-46-47-

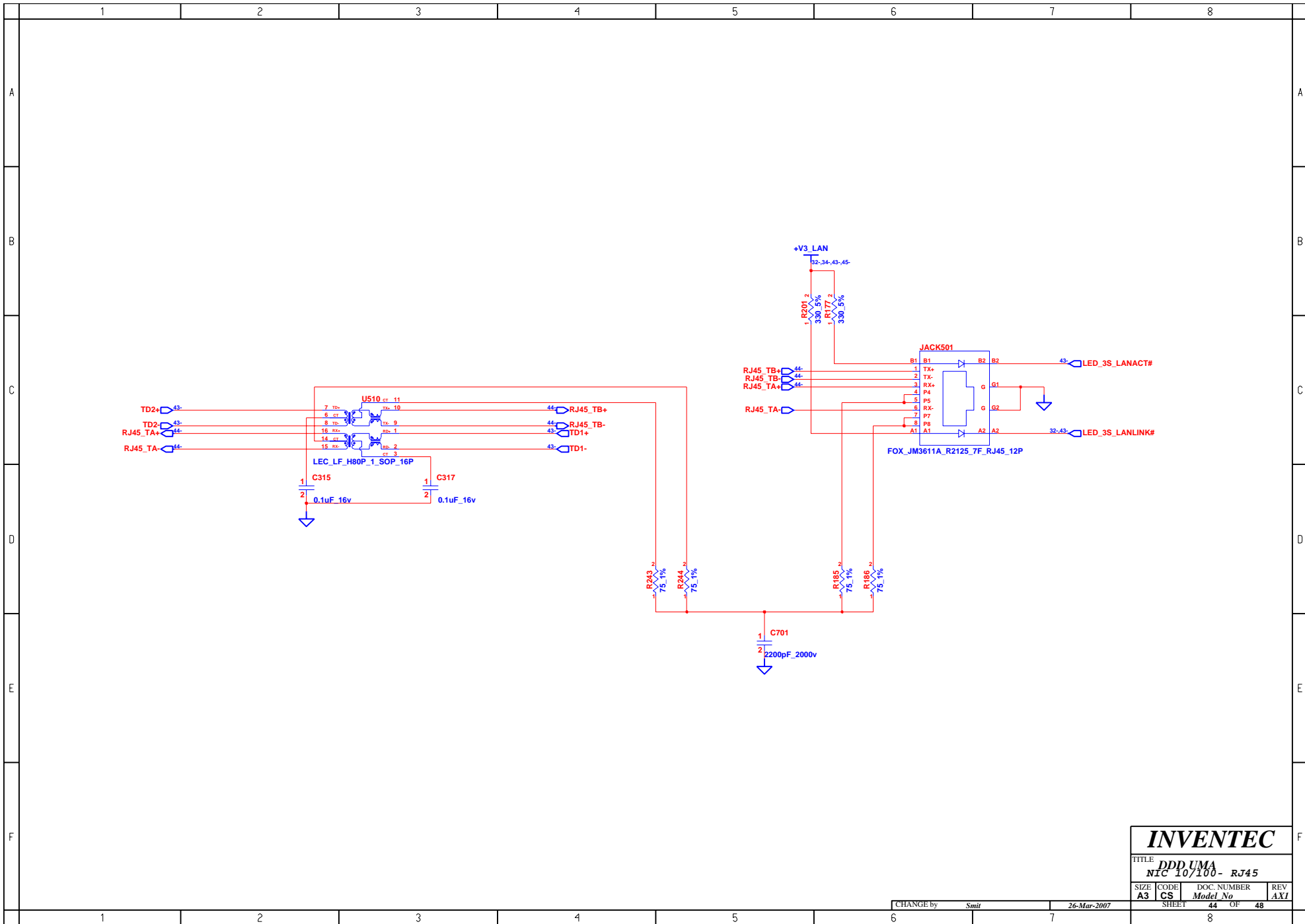


**MDC CNTR**

<b>INVENTEC</b>			
TITLE <b>DDD UMA MDC CNTR</b>			
SIZE <b>A3</b>	CODE <b>CS</b>	DOC. NUMBER <i>Model No</i>	REV <b>AX1</b>
CHANGE by <i>Smit</i>		15-Mar-2007	
SHEET		42 OF 48	



<b>INVENTEC</b>			
TITLE DDD UMA NIC 10/100- CONTROLLER			
SIZE A3	CODE CS	DOC. NUMBER Model No	REV AXI
CHANGE by Smit		28-Mar-2007	SHEET 43 OF 48

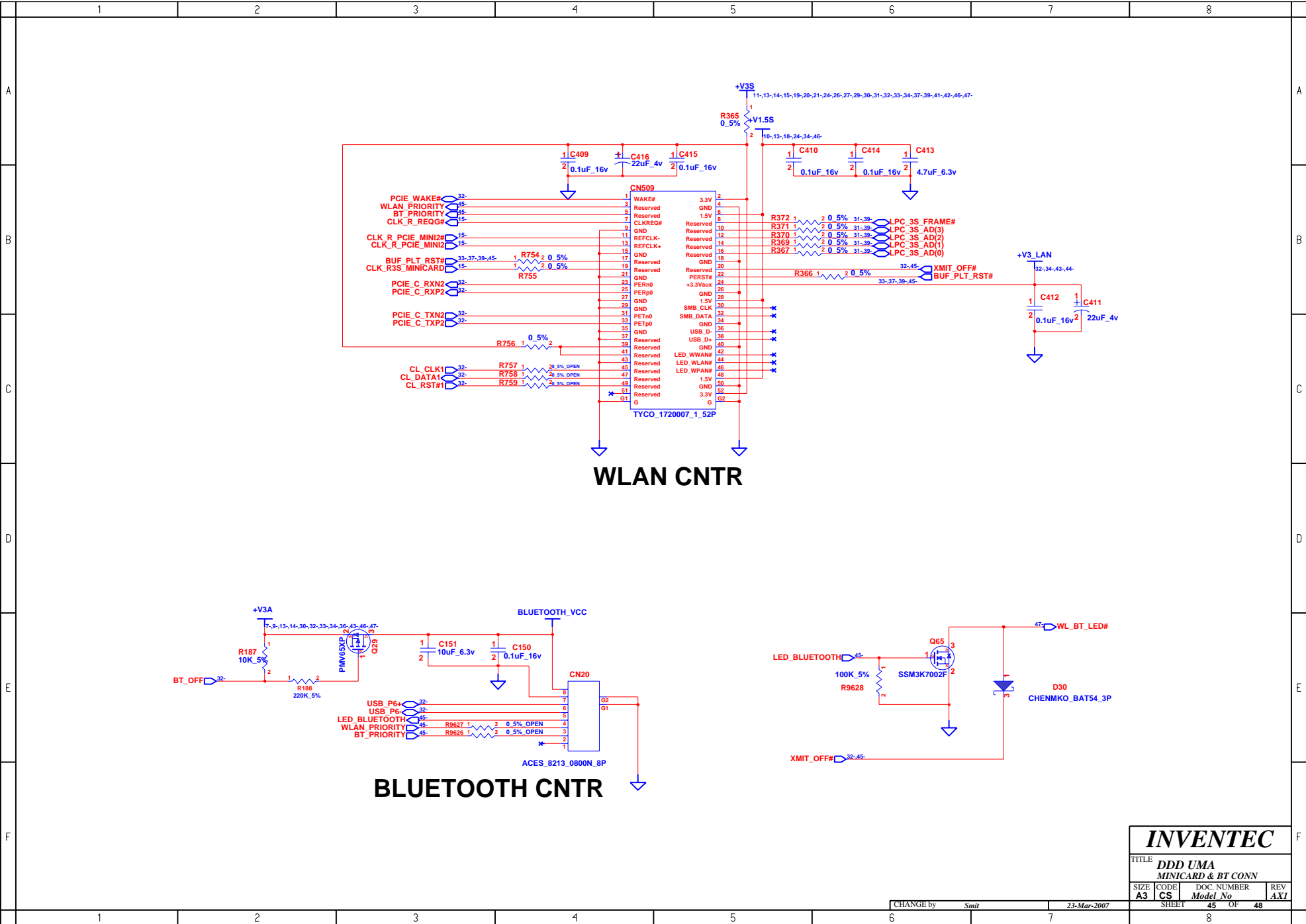


# INVENTEC

TITLE  
**DDD UMA**  
**NIC 10/100 - RJ45**

SIZE <b>A3</b>	CODE <b>CS</b>	DOC. NUMBER <i>Model No</i>	REV <b>AX1</b>
-------------------	-------------------	--------------------------------	-------------------

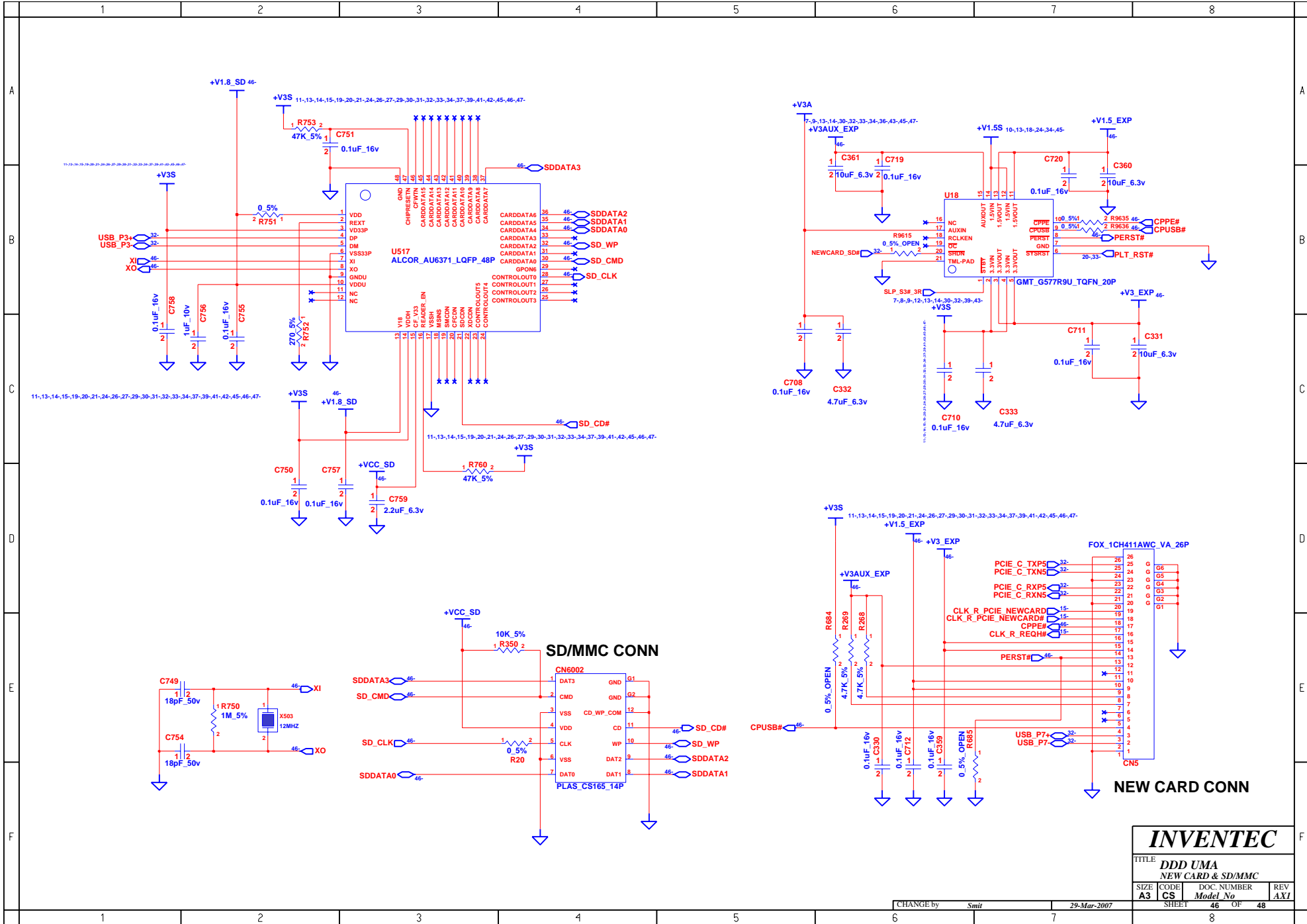
CHANGE by *Smit* 26-Mar-2007 SHEET 44 OF 48



### WLAN CNTR

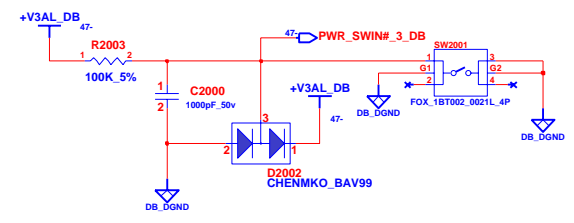
### BLUETOOTH CNTR

<b>INVENTEC</b>			
TITLE <b>DDD UMA MINICARD &amp; BT CONN</b>			
SIZE <b>A3</b>	CODE <b>CS</b>	DOC. NUMBER <i>Model No</i>	REV <b>AXI</b>
CHANGE by <i>Smit</i>		23-Mar-2007	
SHEET 45		OF 48	

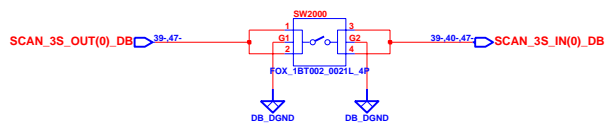


<b>INVENTEC</b>			
TITLE DDD UMA NEW CARD & SD/MMC			
SIZE A3	CODE CS	DOC. NUMBER Model No	REV AXI
CHANGE by Smit		29-Mar-2007	
SHEET 46		OF 48	

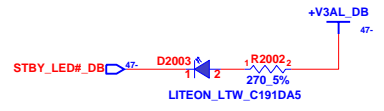
### POWER BUTTON



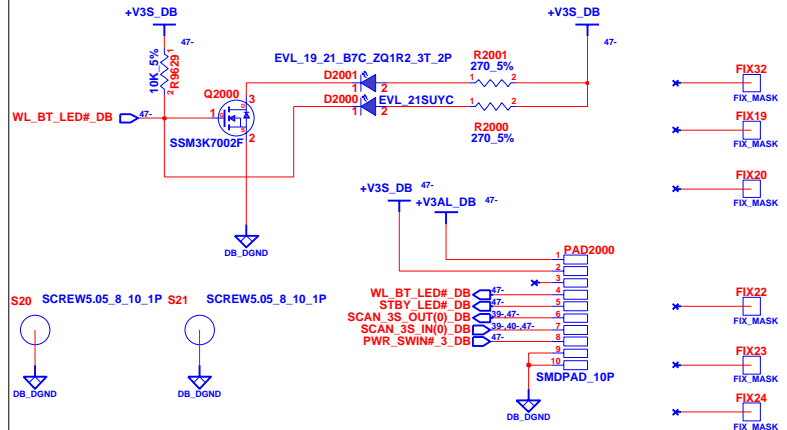
### WIRELESS BUTTON



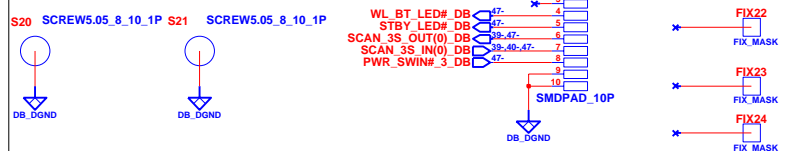
### POWER / STANDBY LED



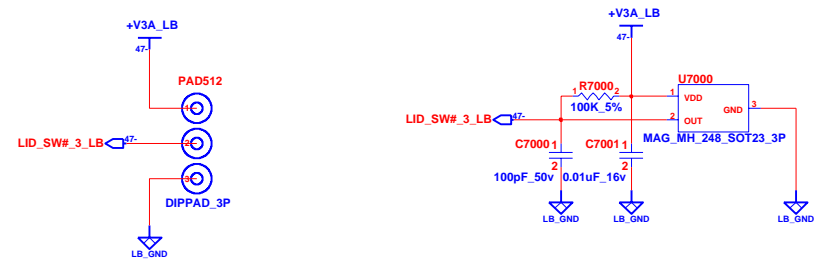
### WLAN LED



### LED&SWITCH BOARD

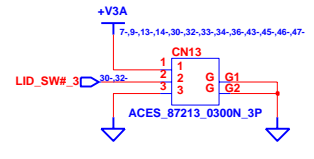


### LID SWITCH

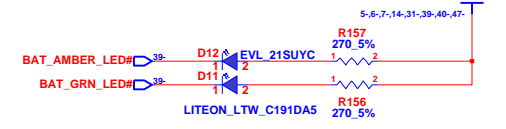


### LID SW/B

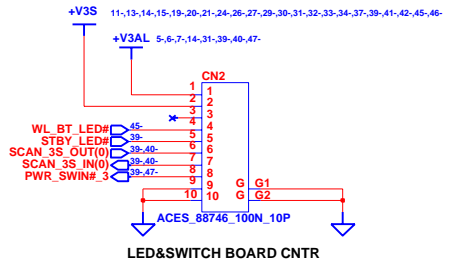
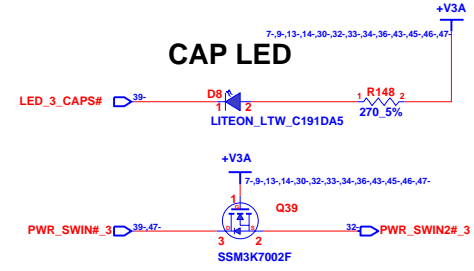
### LID SW/B CNTR



### BATTERY-CHARGE LED

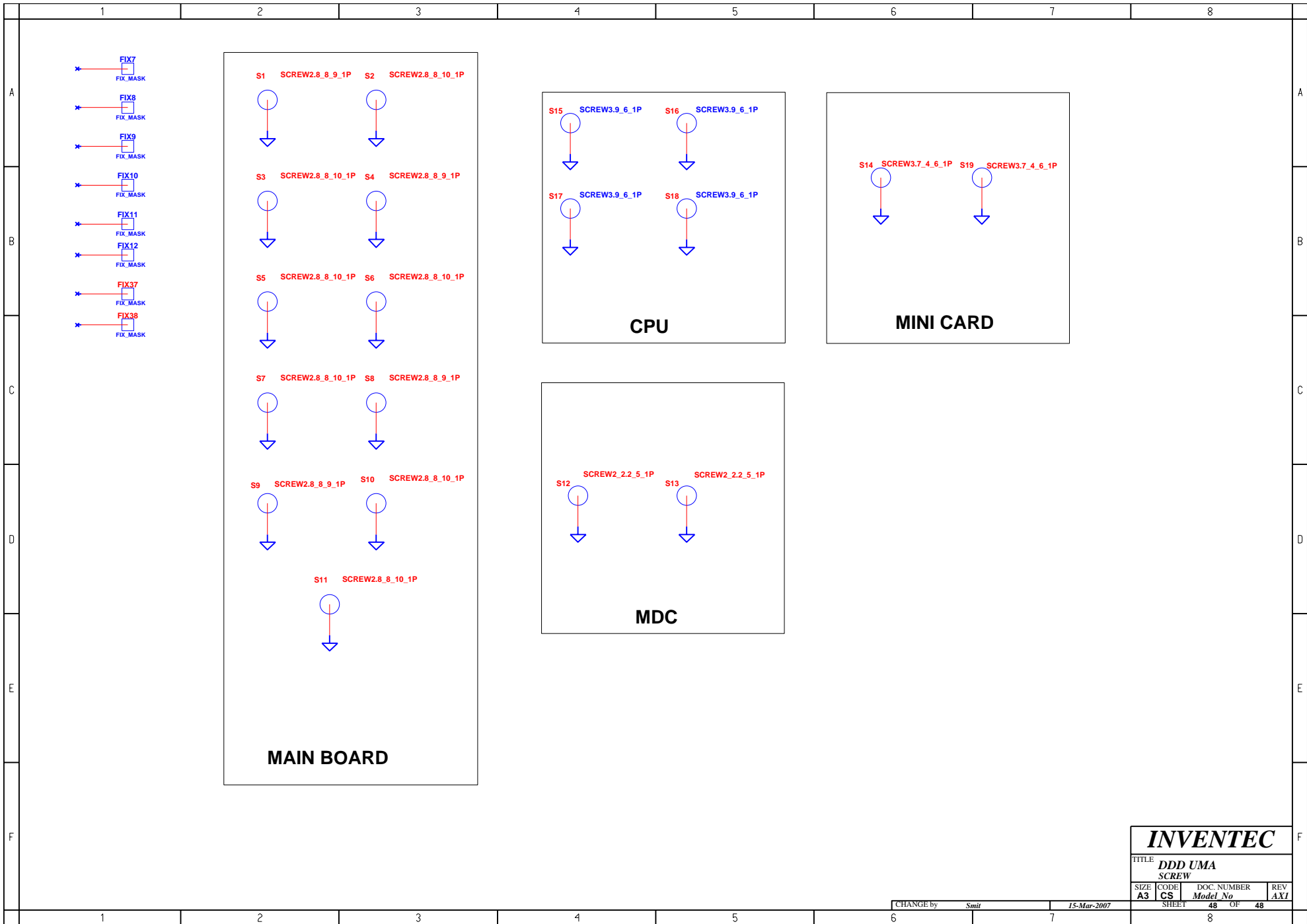


### CAP LED



## INVENTEC

TITLE DDD UMA BUTTON & LED			
SIZE A3	CODE CS	DOC NUMBER Model No	REV AXI



**INVENTEC**

TITLE			
DDD UMA			
SCREW			
SIZE	CODE	DOC. NUMBER	REV
A3	CS	Model No	AXI

CHANGE by Smit 15-Mar-2007

SHEET 48 OF 48