

COMPAL CONFIDENTIAL

MODEL NAME : **NIM00**

PCB NO : **LA5461P(DA60000DD10) DAZ09L00100**

BOM P/N : **46174031L01**

Compal Confidential

Argos M/B Schematics Document

2009-06-24

REV:1.0

@X7618431L01 Parade HDMI LS

@X7618431L02 ST HDMI LS

PCB1
JBL00
LS-3807P REV0
SnifferB
PCB 042 LA-5461P REV0.2 B

PROPRIETARY NOTE: THIS SHEET OF ENGINEERING DRAWING AND SPECIFICATIONS CONTAINS CONFIDENTIAL TRADE SECRET AND OTHER PROPRIETARY INFORMATION OF DELL INC. ("DELL") THIS DOCUMENT MAY NOT BE TRANSFERRED OR COPIED WITHOUT THE EXPRESS WRITTEN AUTHORIZATION OF DELL. IN ADDITION, NEITHER THIS SHEET NOR THE INFORMATION IT CONTAINS MAY BE USED BY OR DISCLOSED TO ANY THIRD PARTY WITHOUT DELL'S EXPRESS WRITTEN CONSENT.

DELL CONFIDENTIAL/PROPRIETARY		
Compal Electronics, Inc.		
Title Cover Sheet		
Size	Document Number LA-5461P	Rev 1.0
Date: Wednesday, June 24, 2009 Sheet 1 of 20		

Compal Confidential

Model Name :

Argos Chipset System-Board

Thermal Sensor
EMC1402

Mobile Penym

Atom /CULV
uFCPGA-956 CPU - SFF

CK505

Clock Generator
ICS9LPRS397

CPU Regulator

+1.8V

+1.05VS

+0.9VS

+1.5VS

Intel ICH9-M

WBMMAP-569 - SFF

Intel Cantiga GS 45

FCBGA 1363 - SFF

DDR2 800MHz 1.8V

DDR2-SO-DIMM X 1
BANK 0, 1, 2, 3

DMI X4

FSB
667/800MHz 1.05V
H_A#(3..35)
H_D#(0..63)

200Pin Golden-Finger

page 3

Daughter Board

Audio Codec
ALC 272

Audio Jack

AMP
APA2031

Speaker
1W X2

USB Card Reader
RTS5159
SD/MMC/MS

USB Conn X 2

Camera/DMIC P5

USB Conn X 1 P9

BlueTooth P4

DCIN/CHARGER
P13/P16

BATT Conn/OTP
P14

+3VALW

+5VALW

LVDS I/F

SDVO I/F

PCIE

USB

PCIE

USB

PCIE

LPC BUS

LVDS
Connector P5

HDMI LS
PS810IT P6

HDMI
Connector P6

LAN AR8132
P12

RJ45 10/100
P12

Mini Card2
WLAN P4

Mini Card 1
WWAN P4

EC
ENE KB926 P8

BIOS P10

TP P10

Int. KBD P8

SATA HDD P7

Argos Main-Board

PROPRIETARY NOTE: THIS SHEET OF ENGINEERING DRAWING AND SPECIFICATIONS CONTAINS CONFIDENTIAL TRADE SECRET AND OTHER PROPRIETARY INFORMATION OF DELL INC. ("DELL") THIS DOCUMENT MAY NOT BE TRANSFERRED OR COPIED WITHOUT THE EXPRESS WRITTEN AUTHORIZATION OF DELL. IN ADDITION, NEITHER THIS SHEET NOR THE INFORMATION IT CONTAINS MAY BE USED BY OR DISCLOSED TO ANY THIRD PARTY WITHOUT DELL'S EXPRESS WRITTEN CONSENT.



DELL CONFIDENTIAL/PROPRIETARY

Compal Electronics, Inc.

Block Diagram

LA-5461P

Date: Wednesday, June 24, 2009 Sheet 2 of 20

Voltage Rails **O MEANS ON** **X MEANS OFF**

power plane State	+B	+5VALW +3VALW	+5VS +3VS +1.8VS +1.5VS
S0	O	O	O
S1	O	O	O
S3	O	O	X
S5 S4/AC	O	O	X
S5 S4/ Battery only	O	X	X
S5 S4/AC & Battery don't exist	X	X	X

USB Port	Device
0	USB Right 1
1	USB Right 2
2	USB Left
3	NC
4	WLAN
5	WWAN
6	Bluetooth
7	Camera
8	Cardreader
9	NC
10	NC
11	NC

SATA Port	Device
0	HDD

PCIE Port	Device
1	LAN
2	JWLAN1
3	
4	JWWAN1
5	
6	

I2C / SMBUS ADDRESSING


DEVICE	HEX	ADDRESS
DDR SO-DIMM 0	A0	10100000
CLOCK GENERATOR (EXT.)	D2	11010010

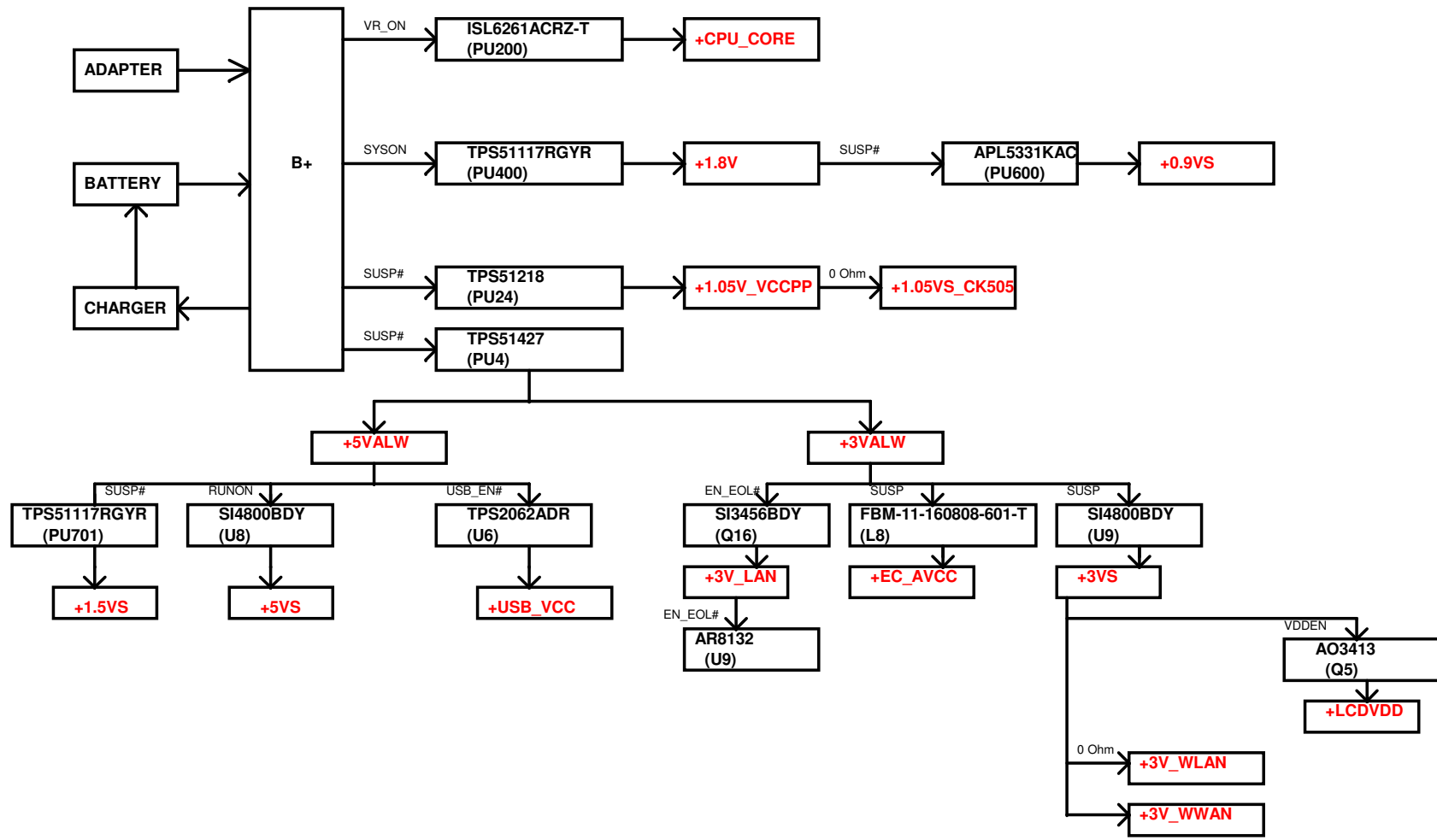
SMBUS Control Table

	SOURCE	INVERTER	BATT	SERIAL EEPROM	THERMAL SENSOR (CPU)	SODIMM	CLK CHIP	MINI CARD	LCD
SMB_EC_CK1 SMB_EC_DA1	KB926	X	V	X	X	X	X	X	X
SMB_EC_CK2 SMB_EC_DA2	KB926	X	X	X	V	X	X	X	X
SMB_CK_CLK1 SMB_CK_DAT1	ICH9	X	X	X	X	V	V	V	X
LCD_CLK LCD_DAT	Cantiga	X	X	X	X	X	X	X	V

DELL CONFIDENTIAL/PROPRIETARY

PROPRIETARY NOTE: THIS SHEET OF ENGINEERING DRAWING AND SPECIFICATIONS CONTAINS CONFIDENTIAL TRADE SECRET AND OTHER PROPRIETARY INFORMATION OF DELL INC. ("DELL") THIS DOCUMENT MAY NOT BE TRANSFERRED OR COPIED WITHOUT THE EXPRESS WRITTEN AUTHORIZATION OF DELL. IN ADDITION, NEITHER THIS SHEET NOR THE INFORMATION IT CONTAINS MAY BE USED BY OR DISCLOSED TO ANY THIRD PARTY WITHOUT DELL'S EXPRESS WRITTEN CONSENT.

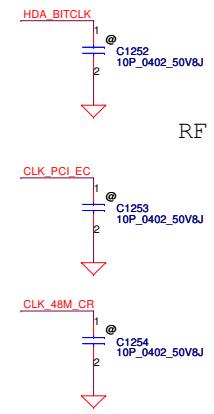
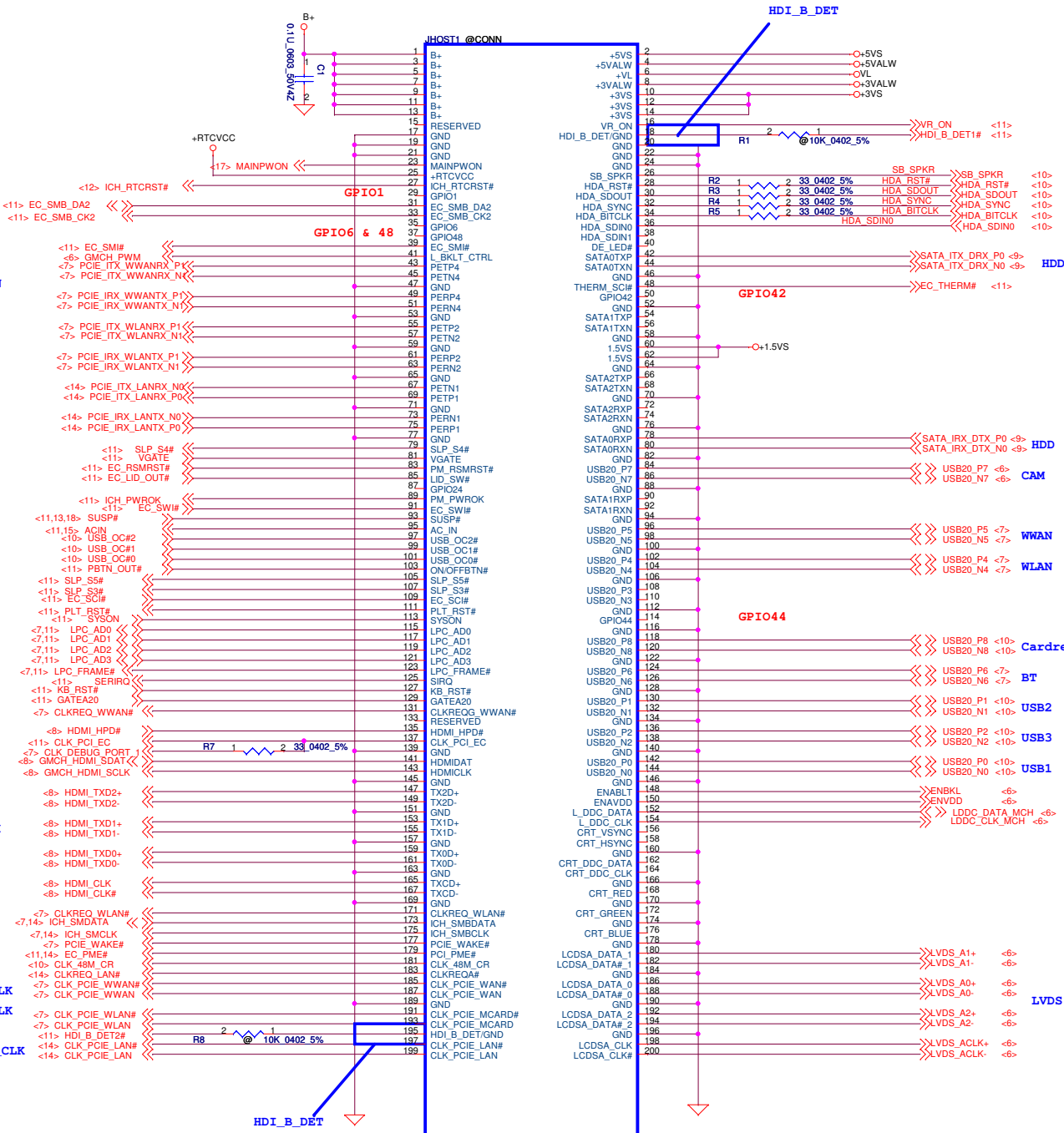
	Compal Electronics, Inc.		
	Note List		
	Size	Document Number	Rev
		LA-5461P	1.0
Date:	Wednesday, June 24, 2009	Sheet	3 of 20



DELL CONFIDENTIAL/PROPRIETARY

PROPRIETARY NOTE: THIS SHEET OF ENGINEERING DRAWING AND SPECIFICATIONS CONTAINS CONFIDENTIAL TRADE SECRET AND OTHER PROPRIETARY INFORMATION OF DELL INC. ("DELL"). THIS DOCUMENT MAY NOT BE TRANSFERRED OR COPIED WITHOUT THE EXPRESS WRITTEN AUTHORIZATION OF DELL. IN ADDITION, NEITHER THIS SHEET NOR THE INFORMATION IT CONTAINS MAY BE USED BY OR DISCLOSED TO ANY THIRD PARTY WITHOUT DELL'S EXPRESS WRITTEN CONSENT.

Compal Electronics, Inc.		
Power Rail		
Size	Document Number	Rev
	LA-5461P	1.0
Date:	Wednesday, June 24, 2009	Sheet 4 of 20



RF team request reserve

DELL CONFIDENTIAL/PROPRIETARY

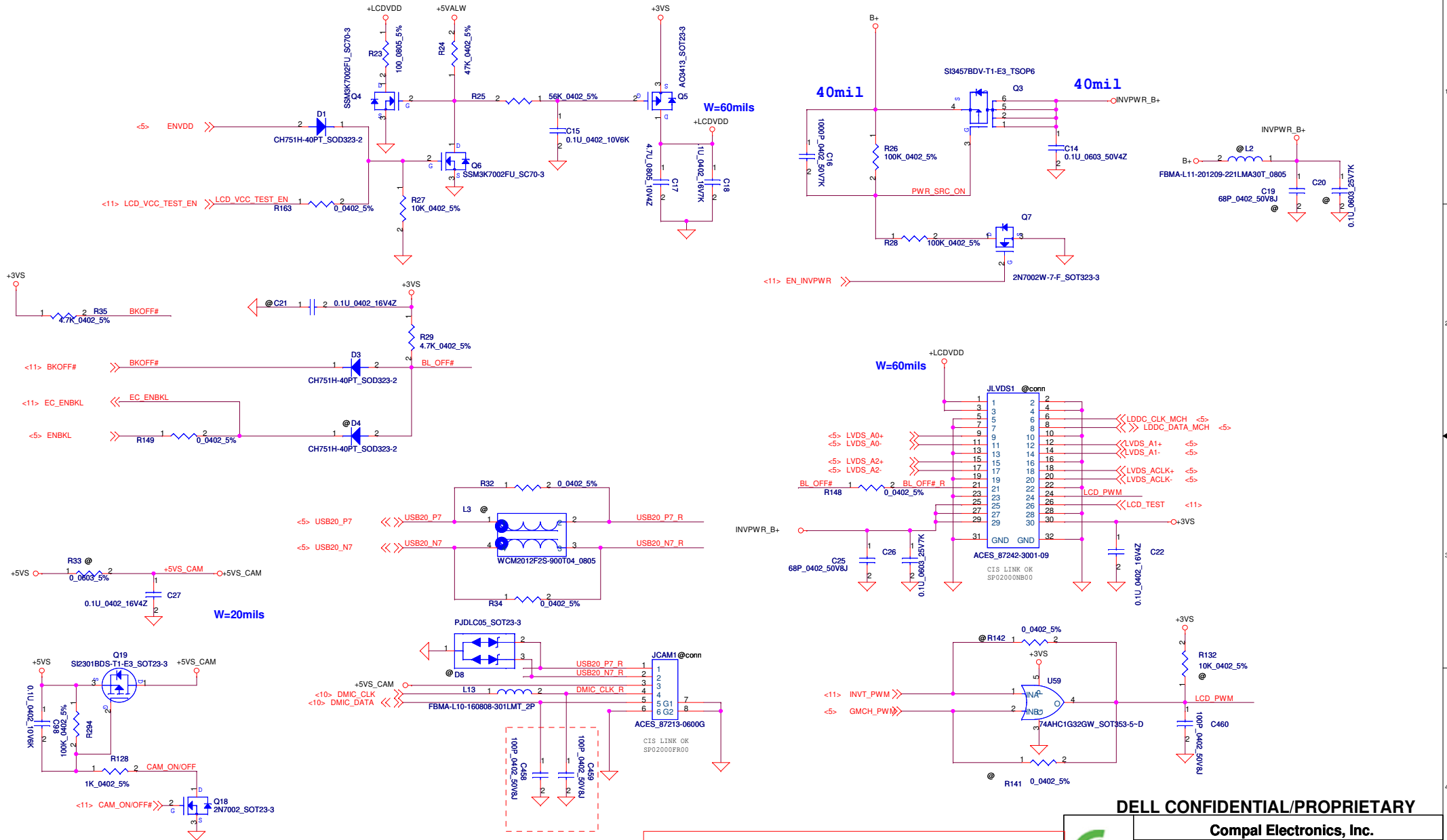
Compal Electronics, Inc.

Title			Host BTB		
Size	Document Number		Rev		1.0
LA-5461P					
Date:	Wednesday, June 24, 2009	Sheet	5	of	20

PROPRIETARY NOTE: THIS SHEET OF ENGINEERING DRAWING AND SPECIFICATIONS CONTAINS CONFIDENTIAL TRADE SECRET AND OTHER PROPRIETARY INFORMATION OF DELL INC. ("DELL") THIS DOCUMENT MAY NOT BE TRANSFERRED OR COPIED WITHOUT THE EXPRESS WRITTEN AUTHORIZATION OF DELL. IN ADDITION, NEITHER THIS SHEET NOR THE INFORMATION IT CONTAINS MAY BE USED BY OR DISCLOSED TO ANY THIRD PARTY WITHOUT DELL'S EXPRESS WRITTEN CONSENT.



LCD POWER CIRCUIT

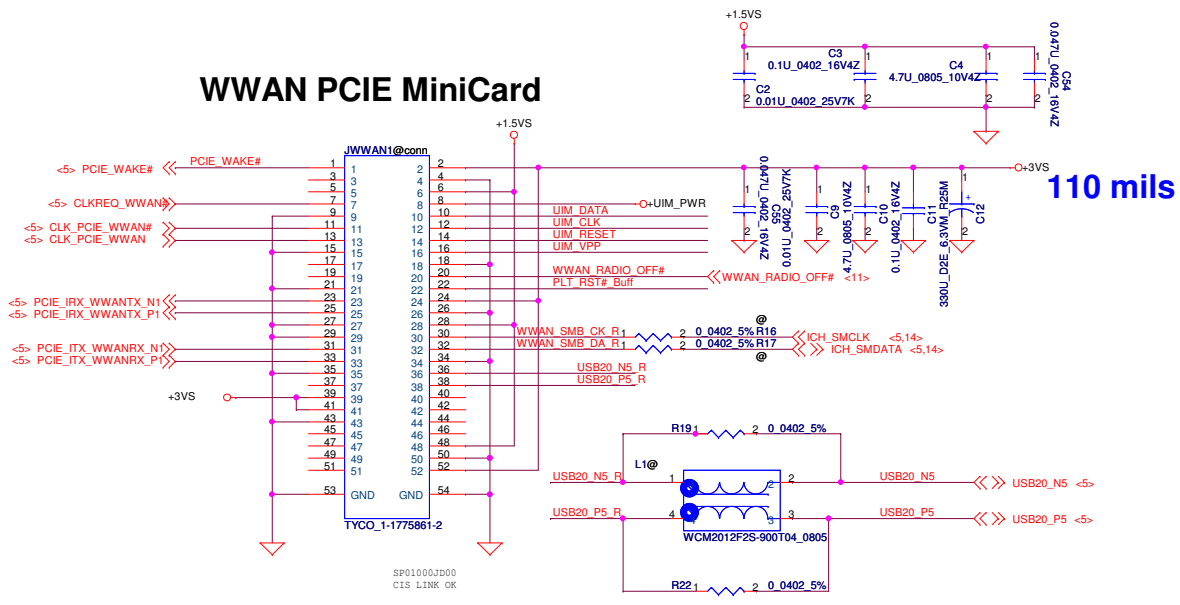


PROPRIETARY NOTE: THIS SHEET OF ENGINEERING DRAWING AND SPECIFICATIONS CONTAINS CONFIDENTIAL TRADE SECRET AND OTHER PROPRIETARY INFORMATION OF DELL INC. ("DELL") THIS DOCUMENT MAY NOT BE TRANSFERRED OR COPIED WITHOUT THE EXPRESS WRITTEN AUTHORIZATION OF DELL. IN ADDITION, NEITHER THIS SHEET NOR THE INFORMATION IT CONTAINS MAY BE USED BY OR DISCLOSED TO ANY THIRD PARTY WITHOUT DELL'S EXPRESS WRITTEN CONSENT.

DELL CONFIDENTIAL/PROPRIETARY

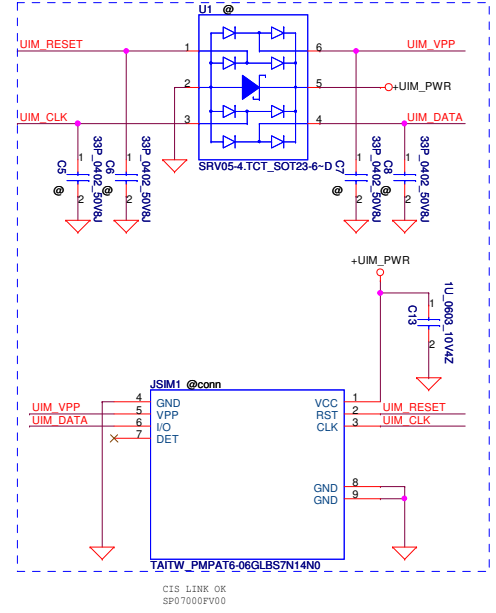
Compal Electronics, Inc.		
LVDS		
Size	Document Number	Rev
	LA-5461P	1.0
Date:	Wednesday, June 24, 2009	Sheet 6 of 20

WWAN PCIE MiniCard



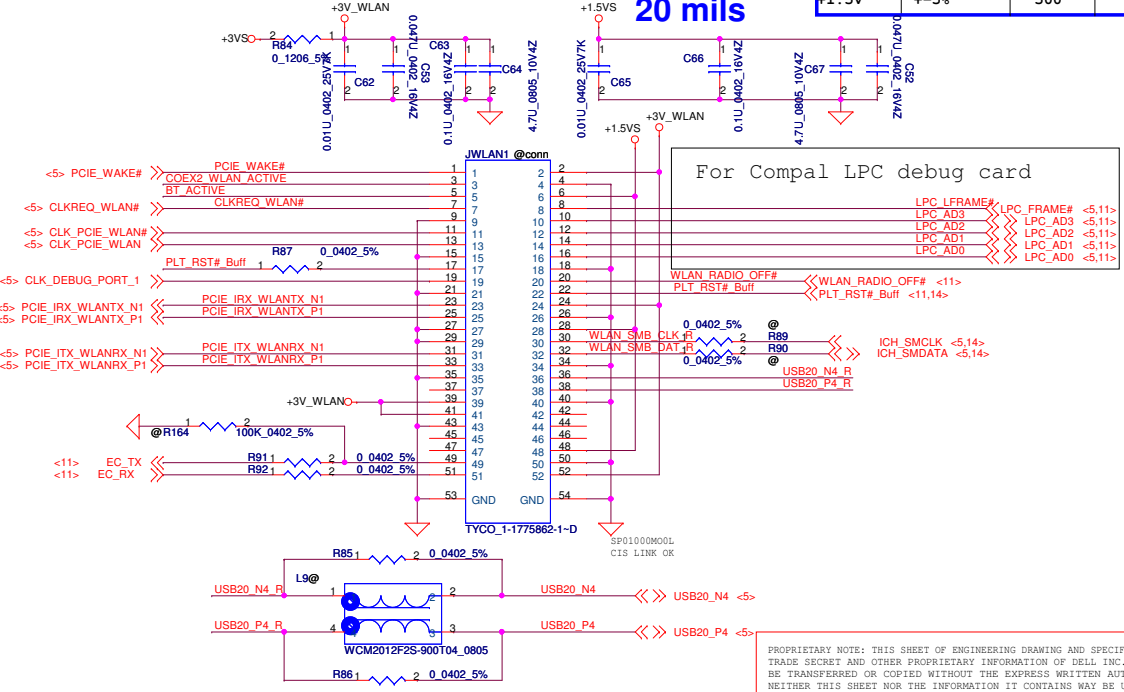
110 mils

SIM Card

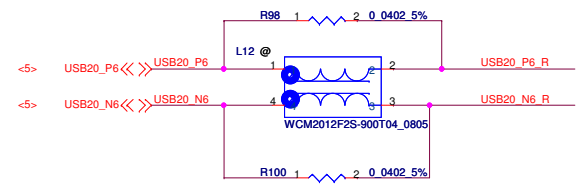


PWR Rail	Voltage Tolerance	Primary Power		Aux Power
		Peak	Normal	Normal
+3.3V	+9%	1000	750	
+3.3Vaux	+9%	330	250	250 (Wake enable) 5 (Not wake enable)
+1.5V	+5%	500	375	NA

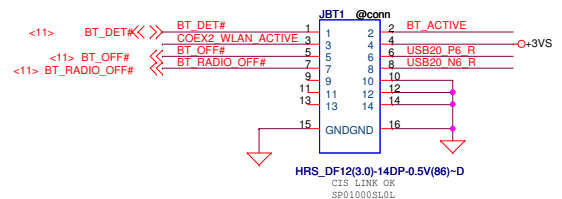
40 mils WLAN/WIMAX PCIE Mini Card



For Compal LPC debug card



Bluetooth



DELL CONFIDENTIAL/PROPRIETARY

Compal Electronics, Inc.

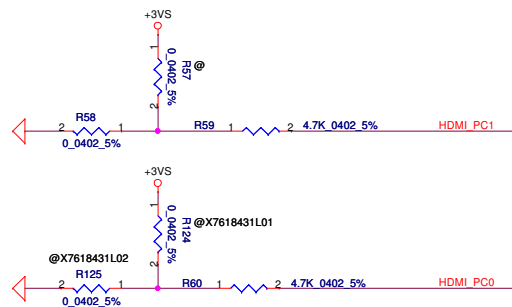
File		
WLAN/WWAN/BT		
Size	Document Number	Rev
	LA-5461P	1.0
Date:	Wednesday, June 24, 2009	Sheet 7 of 20

PROPRIETARY NOTE: THIS SHEET OF ENGINEERING DRAWING AND SPECIFICATIONS CONTAINS CONFIDENTIAL TRADE SECRET AND OTHER PROPRIETARY INFORMATION OF DELL, INC. ("DELL") THIS DOCUMENT MAY NOT BE TRANSFERRED OR COPIED WITHOUT THE EXPRESS WRITTEN AUTHORIZATION OF DELL. IN ADDITION, NEITHER THIS SHEET NOR THE INFORMATION IT CONTAINS MAY BE USED BY OR DISCLOSED TO ANY THIRD PARTY WITHOUT DELL'S EXPRESS WRITTEN CONSENT.

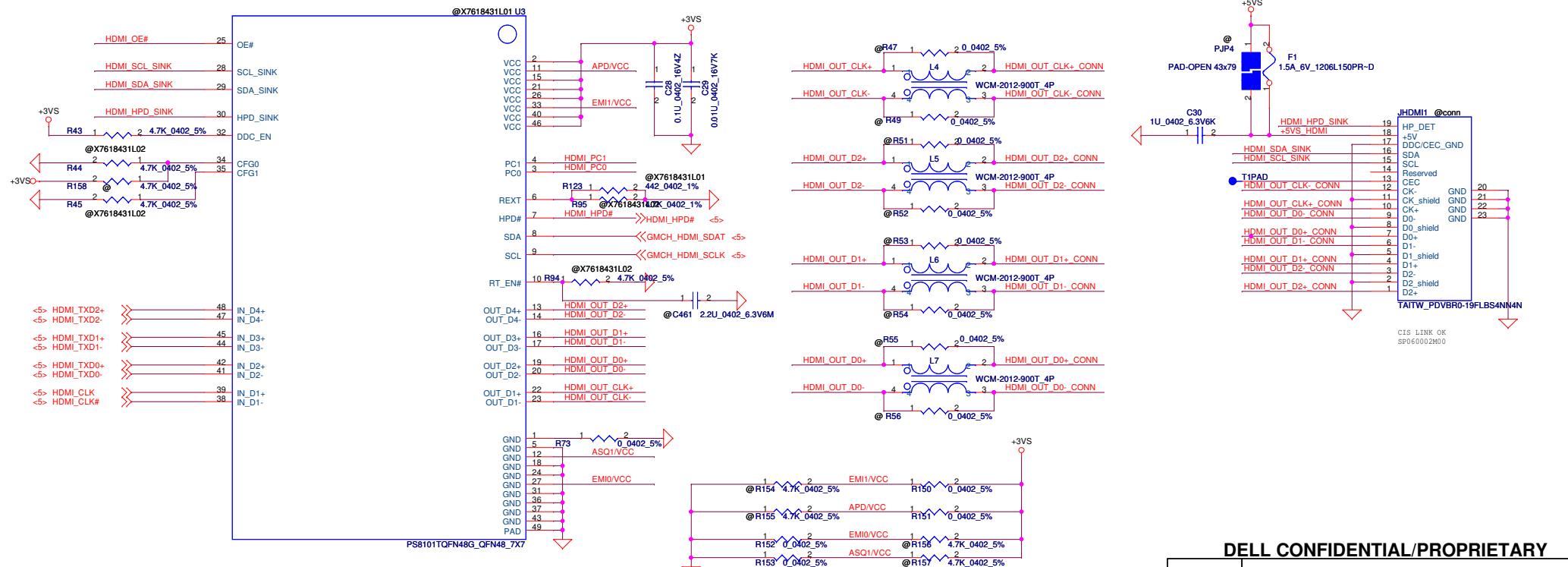
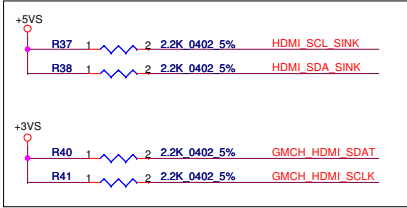
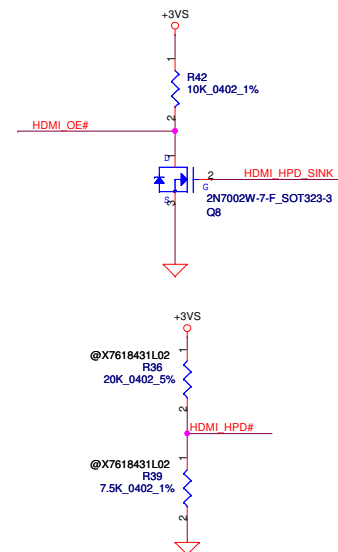
U3 Select Component

	Parade(1st) SA00002D700	ST(2nd) SA00002C610		Parade(3th)	PS8171	
R57	X	X	R73	4.7K ohm	R152	X
R124	V	X	R57	V	R153	X
R125	X	V	R58	X	R154	V
R36	X	V	R125	V	R155	V
R39	X	V	R124	X	R156	V
R44	X	V	R158	V	R157	V
R45	X	V	C461	V		
R123	442 ohm	X	R94	X		
R95	X	4.7K ohm	R150	X		
R94	X	V	R151	X		

Recommended Equalization: [PC1,PC0]=01, 4dB



Vendor's suggestion for power saving.



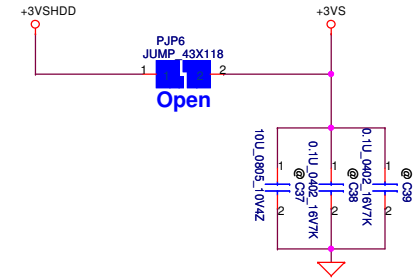
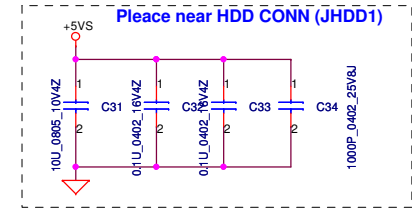
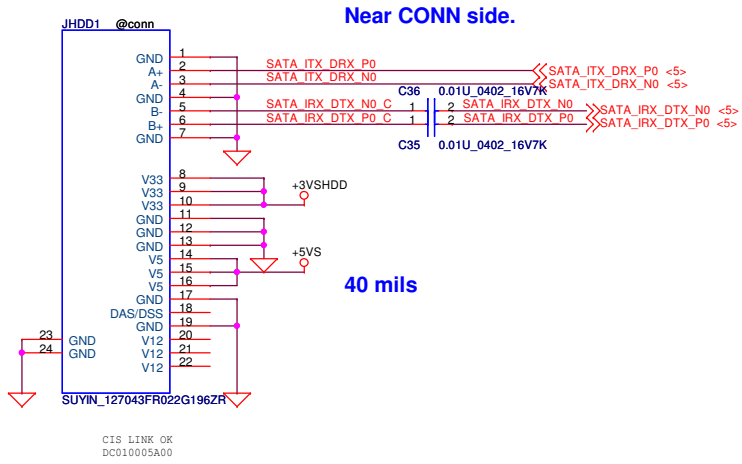
DELL CONFIDENTIAL/PROPRIETARY

Compal Electronics, Inc.

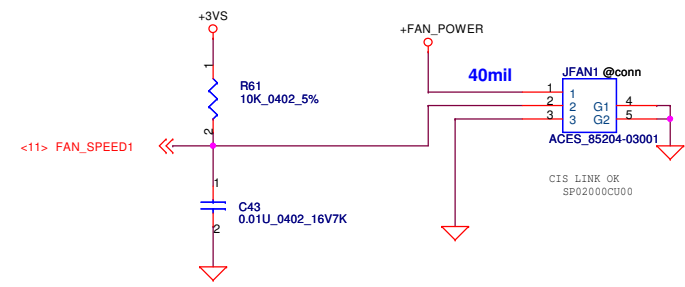
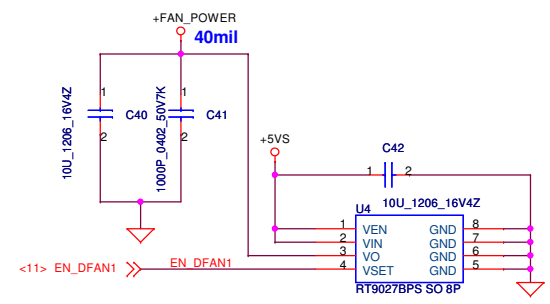
Title			HDMI		
Size	Document Number		Rev		1.0
LA-5461P					
Date:	Wednesday, June 24, 2009	Sheet	8	of	20

PROPRIETARY NOTE: THIS SHEET OF ENGINEERING DRAWING AND SPECIFICATIONS CONTAINS CONFIDENTIAL TRADE SECRET AND OTHER PROPRIETARY INFORMATION OF DELL INC. ("DELL"). THIS DOCUMENT MAY NOT BE TRANSFERRED OR COPIED WITHOUT THE EXPRESS WRITTEN AUTHORIZATION OF DELL. IN ADDITION, NEITHER THIS SHEET NOR THE INFORMATION IT CONTAINS MAY BE USED BY OR DISCLOSED TO ANY THIRD PARTY WITHOUT DELL'S EXPRESS WRITTEN CONSENT.

HDD Connector



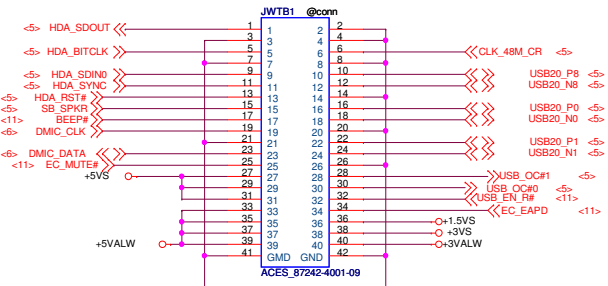
FAN Control circuit



DELL CONFIDENTIAL/PROPRIETARY

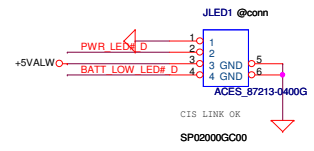
Compal Electronics, Inc.		
FAN/HDD		
Size	Document Number	Rev
	LA-5461P	1.0
Date:	Wednesday, June 24, 2009	Sheet 9 of 20

PROPRIETARY NOTE: THIS SHEET OF ENGINEERING DRAWING AND SPECIFICATIONS CONTAINS CONFIDENTIAL TRADE SECRET AND OTHER PROPRIETARY INFORMATION OF DELL INC. ("DELL") THIS DOCUMENT MAY NOT BE TRANSFERRED OR COPIED WITHOUT THE EXPRESS WRITTEN AUTHORIZATION OF DELL. IN ADDITION, NEITHER THIS SHEET NOR THE INFORMATION IT CONTAINS MAY BE USED BY OR DISCLOSED TO ANY THIRD PARTY WITHOUT DELL'S EXPRESS WRITTEN CONSENT.



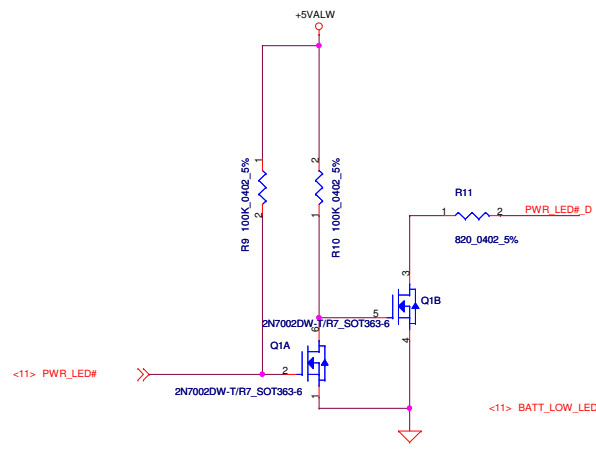
SP02000MD00
CIS LINK OK

LED CONN



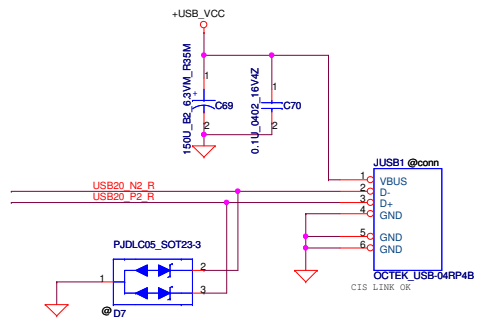
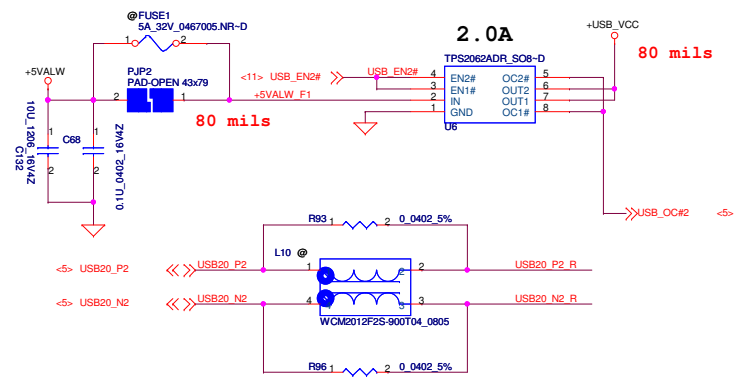
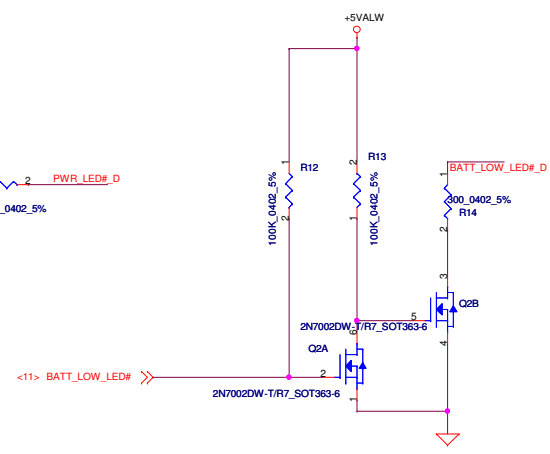
CIS LINK OK
SP02000GC00

Power LED



DC1 WHITE
+5V_ALW RED
DC2 AMBER

BATT CHARGE



DELL CONFIDENTIAL/PROPRIETARY

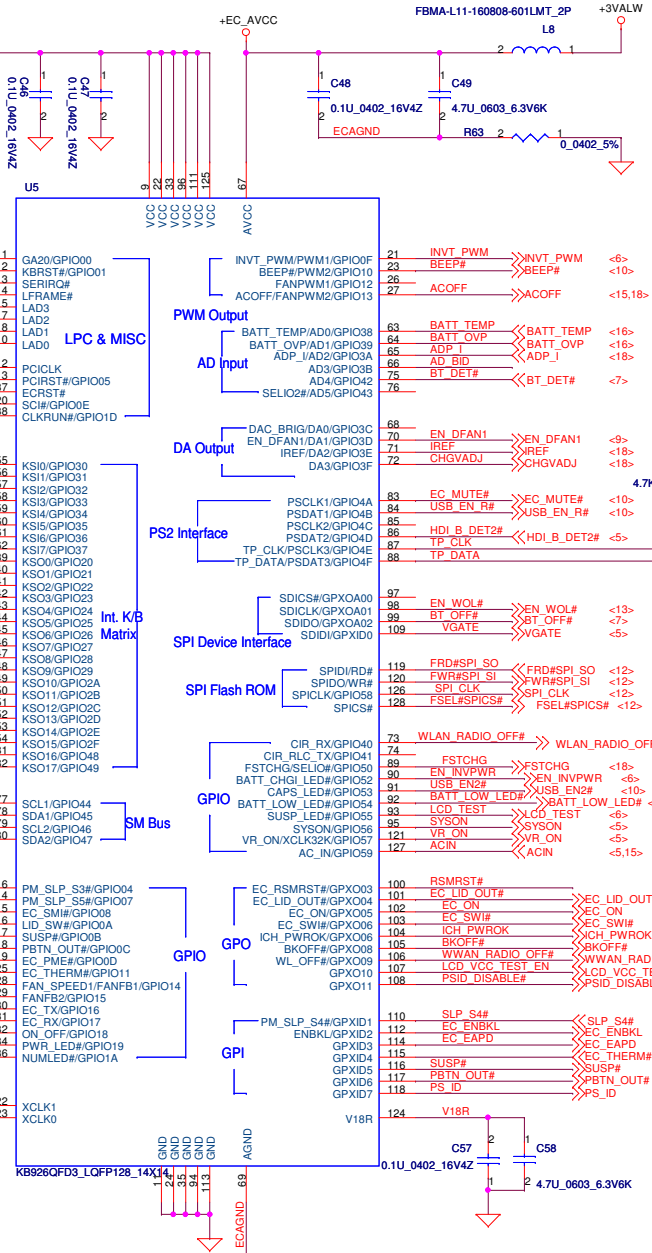
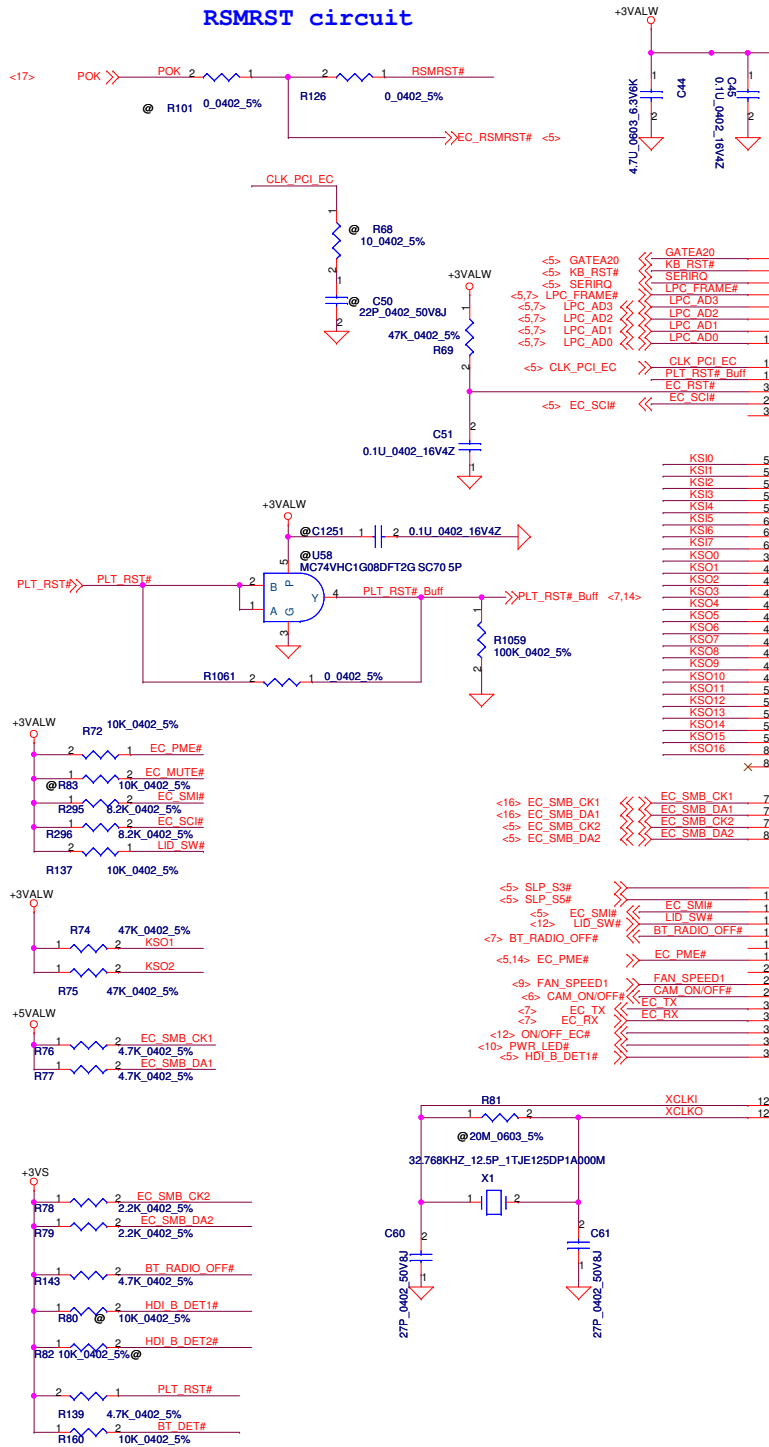
Compal Electronics, Inc.



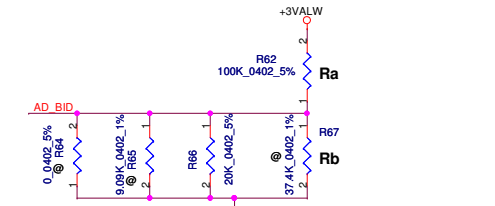
Title USB/WTB/LED		
Size	Document Number LA-5461P	Rev 1.0
Date	Wednesday, June 24, 2009	Sheet 10 of 20

PROPRIETARY NOTE: THIS SHEET OF ENGINEERING DRAWING AND SPECIFICATIONS CONTAINS CONFIDENTIAL TRADE SECRET AND OTHER PROPRIETARY INFORMATION OF DELL INC. ("DELL") THIS DOCUMENT MAY NOT BE TRANSFERRED OR COPIED WITHOUT THE EXPRESS WRITTEN AUTHORIZATION OF DELL. IN ADDITION, NEITHER THIS SHEET NOR THE INFORMATION IT CONTAINS MAY BE USED BY OR DISCLOSED TO ANY THIRD PARTY WITHOUT DELL'S EXPRESS WRITTEN CONSENT.

RSMRST circuit



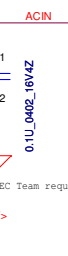
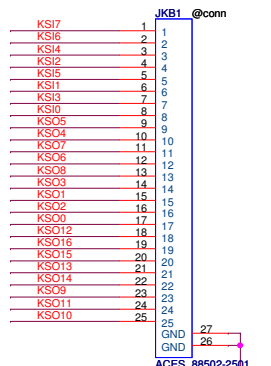
Board ID



BOARD ID Table

ID	BOARD ID	Ra	Rb	Vab
0	0.1(X00)	NC	0	0V
1	0.2(X01)	100K	9.09K	0.25V
2	1.0(A00)	100K	20K	0.55V
3	2.0(A01)	100K	NC	3.3V

KEYBOARD CONN.



KSO8	@C449	100P_0402_25V8K	100P_0402_25V8K	C235	KSI7
KSI3	@C239	100P_0402_25V8K	100P_0402_25V8K	C236	KSI6
KSO9	@C249	100P_0402_25V8K	100P_0402_25V8K	C237	KSI5
KSI2	@C240	100P_0402_25V8K	100P_0402_25V8K	C441	KSO0
KSI1	@C241	100P_0402_25V8K	100P_0402_25V8K	C442	KSO1
KSO10	@C248	100P_0402_25V8K	100P_0402_25V8K	C443	KSO2
KSO11	@C247	100P_0402_25V8K	100P_0402_25V8K	C238	KSI4
KSI0	@C242	100P_0402_25V8K	100P_0402_25V8K	C444	KSO3
KSO12	@C246	100P_0402_25V8K	100P_0402_25V8K	C445	KSO4
KSO13	@C245	100P_0402_25V8K	100P_0402_25V8K	C446	KSO5
KSO14	@C244	100P_0402_25V8K	100P_0402_25V8K	C447	KSO6
KSO15	@C243	100P_0402_25V8K	100P_0402_25V8K	C448	KSO7
KSO16	@C251	100P_0402_25V8K			

DELL CONFIDENTIAL/PROPRIETARY

Compal Electronics, Inc.

EC KB926

LA-5461P

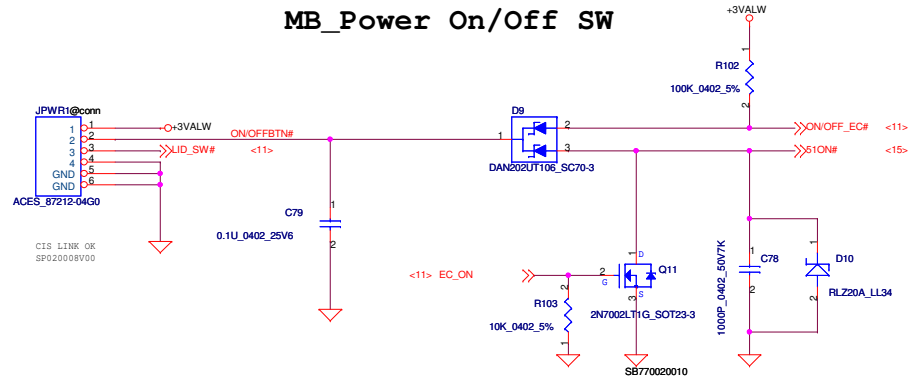
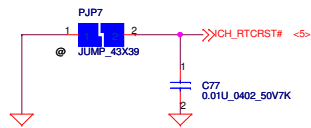
Size: _____ Document Number: _____ Rev: 1.0

Date: Wednesday, June 24, 2009 Sheet 11 of 20

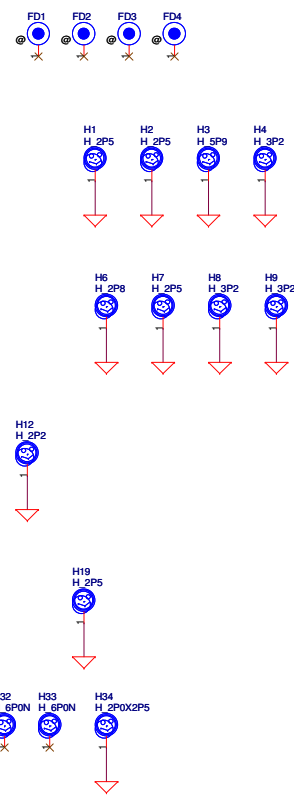
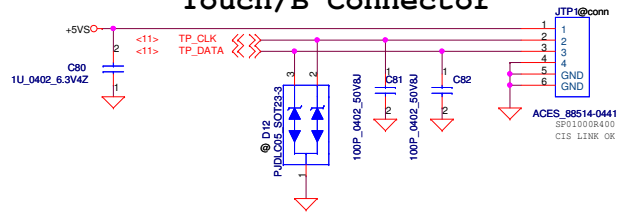
PROPRIETARY NOTE: THIS SHEET OF ENGINEERING DRAWING AND SPECIFICATIONS CONTAINS CONFIDENTIAL TRADE SECRET AND OTHER PROPRIETARY INFORMATION OF DELL INC. ("DELL") THIS DOCUMENT MAY NOT BE TRANSFERRED OR COPIED WITHOUT THE EXPRESS WRITTEN AUTHORIZATION OF DELL. IN ADDITION, NEITHER THIS SHEET NOR THE INFORMATION IT CONTAINS MAY BE USED BY OR DISCLOSED TO ANY THIRD PARTY WITHOUT DELL'S EXPRESS WRITTEN CONSENT.

MB_Power On/Off SW

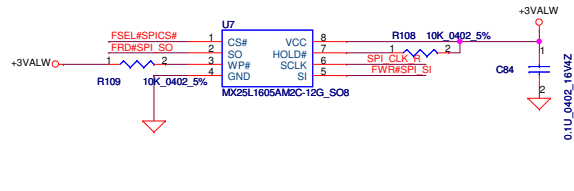
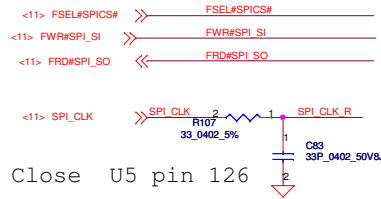
RTC Reset SW



Touch/B Connector



System SPI Flash ROM (16Mb)



DELL CONFIDENTIAL/PROPRIETARY

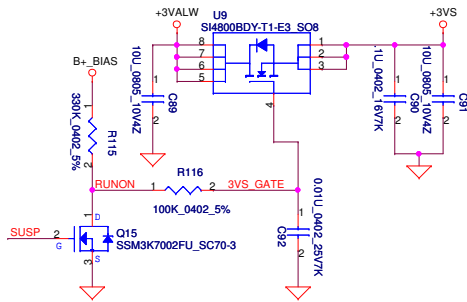
Compal Electronics, Inc.



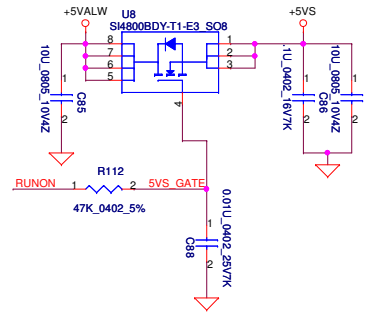
File		PSW/ROM/TP	
Size	Document Number	LA-5461P	
Date	Wednesday, June 24, 2009	Sheet	12 of 20
Rev	1.0		

PROPRIETARY NOTE: THIS SHEET OF ENGINEERING DRAWING AND SPECIFICATIONS CONTAINS CONFIDENTIAL TRADE SECRET AND OTHER PROPRIETARY INFORMATION OF DELL INC. ("DELL"). THIS DOCUMENT MAY NOT BE TRANSFERRED OR COPIED WITHOUT THE EXPRESS WRITTEN AUTHORIZATION OF DELL. IN ADDITION, NEITHER THIS SHEET NOR THE INFORMATION IT CONTAINS MAY BE USED BY OR DISCLOSED TO ANY THIRD PARTY WITHOUT DELL'S EXPRESS WRITTEN CONSENT.

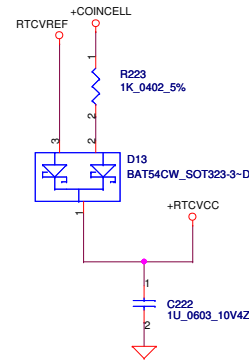
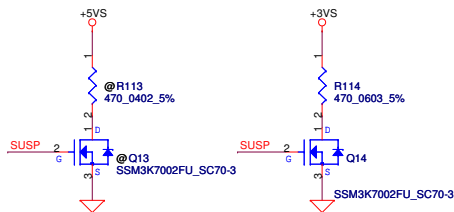
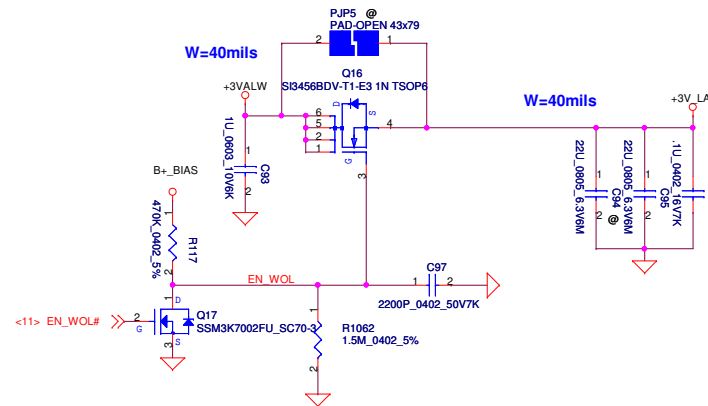
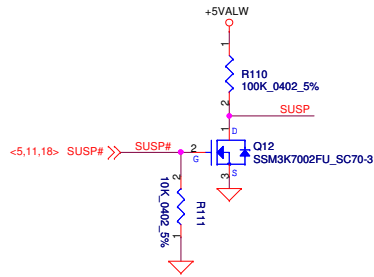
+3VALW to +3VS Transfer



+5VALW to +5VS Transfer



+3VALW to +3LAN Transfer

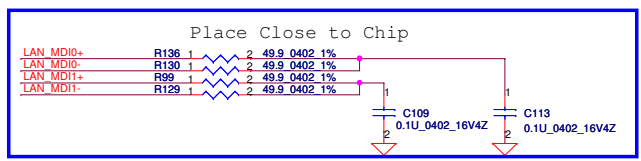
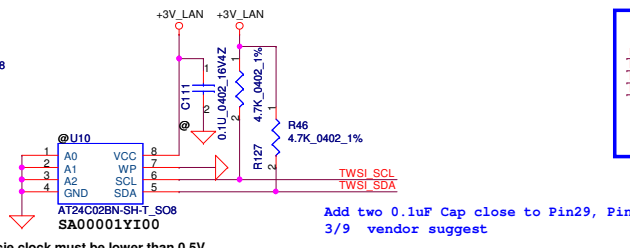
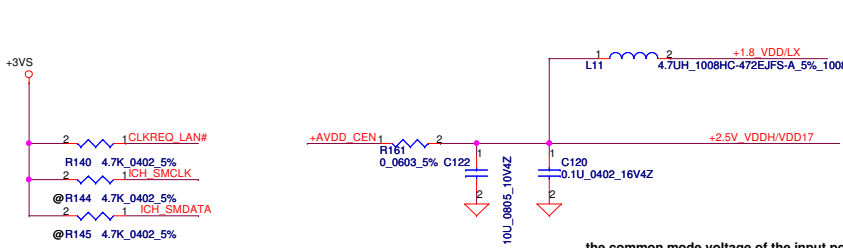


DELL CONFIDENTIAL/PROPRIETARY

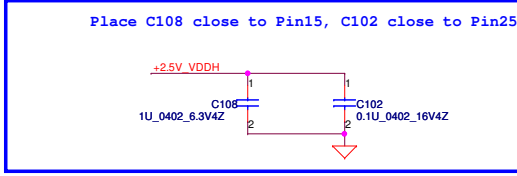
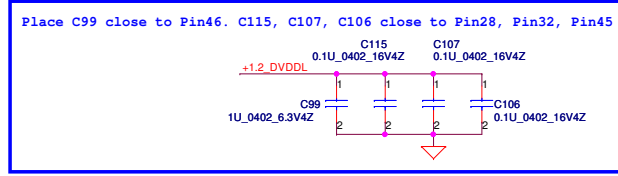
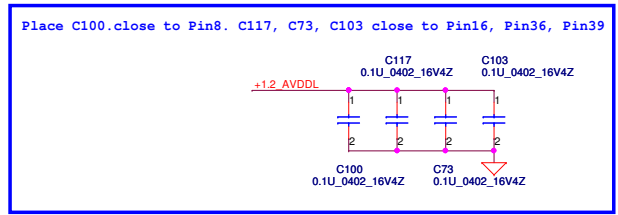
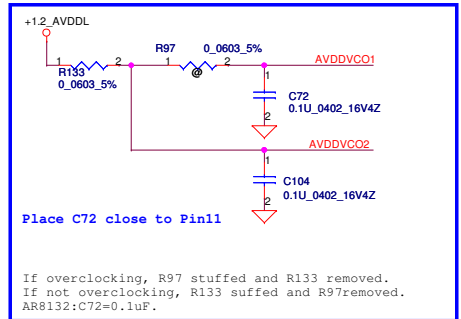
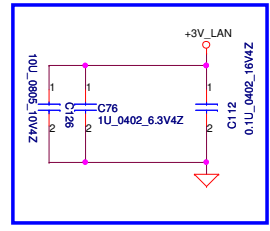
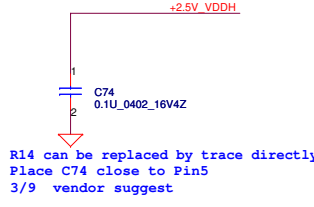
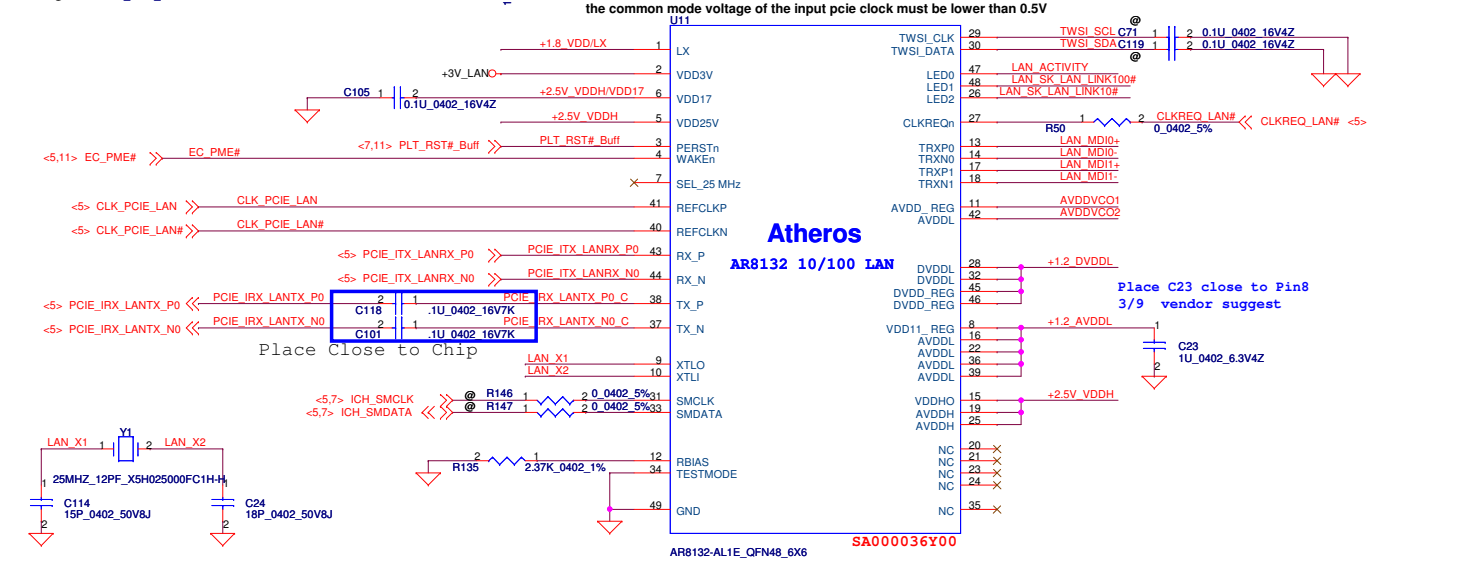
Compal Electronics, Inc.

Title			Rev 1.0
Power Control			
Size	Document Number	LA-5461P	
Date:	Wednesday, June 24, 2009	Sheet 13 of 20	

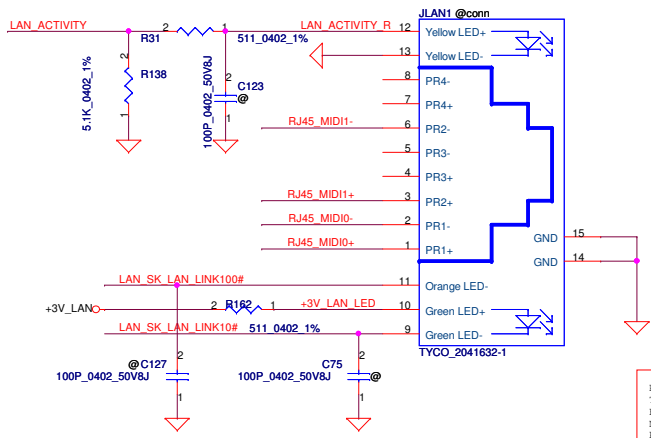
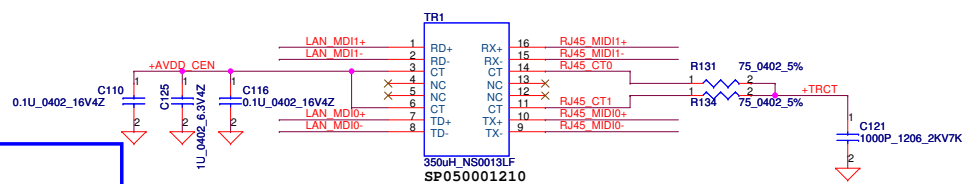
PROPRIETARY NOTE: THIS SHEET OF ENGINEERING DRAWING AND SPECIFICATIONS CONTAINS CONFIDENTIAL TRADE SECRET AND OTHER PROPRIETARY INFORMATION OF DELL INC. ("DELL") THIS DOCUMENT MAY NOT BE TRANSFERRED OR COPIED WITHOUT THE EXPRESS WRITTEN AUTHORIZATION OF DELL. IN ADDITION, NEITHER THIS SHEET NOR THE INFORMATION IT CONTAINS MAY BE USED BY OR DISCLOSED TO ANY THIRD PARTY WITHOUT DELL'S EXPRESS WRITTEN CONSENT.



Layout Notice : Place as close chip as possible.



Full down circuit:
more power saving in no-overclocking mode
3/9 vendor suggestion



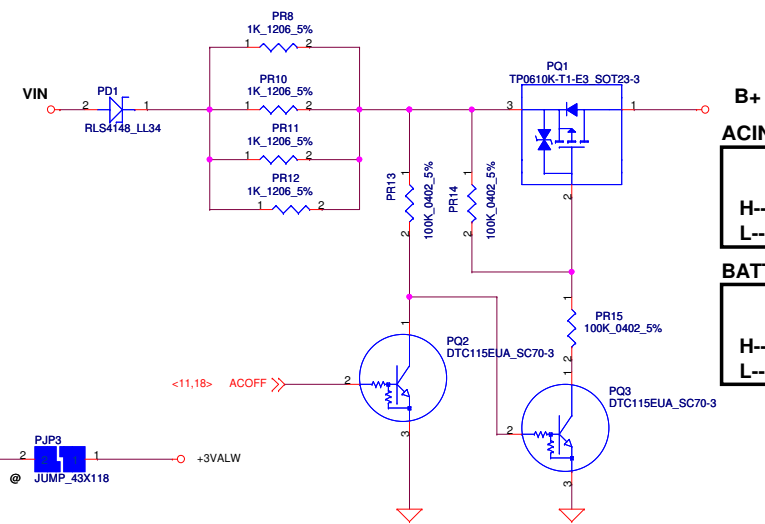
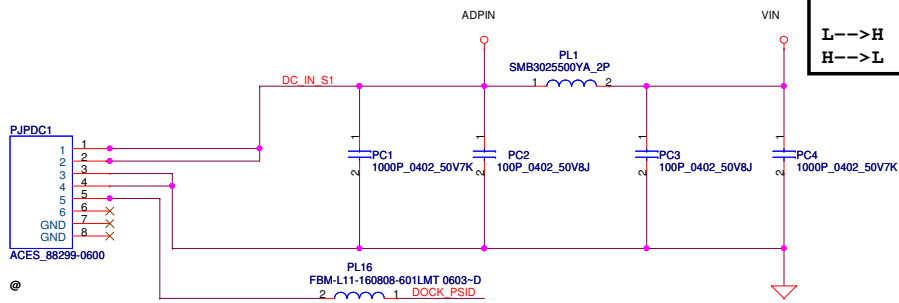
PROPRIETARY NOTE: THIS SHEET OF ENGINEERING DRAWING AND SPECIFICATIONS CONTAINS CONFIDENTIAL TRADE SECRET AND OTHER PROPRIETARY INFORMATION OF DELL INC. ("DELL"). THIS DOCUMENT MAY NOT BE TRANSFERRED OR COPIED WITHOUT THE EXPRESS WRITTEN AUTHORIZATION OF DELL. IN ADDITION, NEITHER THIS SHEET NOR THE INFORMATION IT CONTAINS MAY BE USED BY OR DISCLOSED TO ANY THIRD PARTY WITHOUT DELL'S EXPRESS WRITTEN CONSENT.

DELL CONFIDENTIAL/PROPRIETARY

		Compal Electronics, Inc.	
		LAN AR8132	
Size	Document Number	LA-5461P	
Date:	Wednesday, June 24, 2009	Sheet	14 of 20
Rev	1.0		

Vin Detector

	Max.	typ.	Min.
L-->H	18.234	17.841	17.449
H-->L	17.597	17.210	16.813

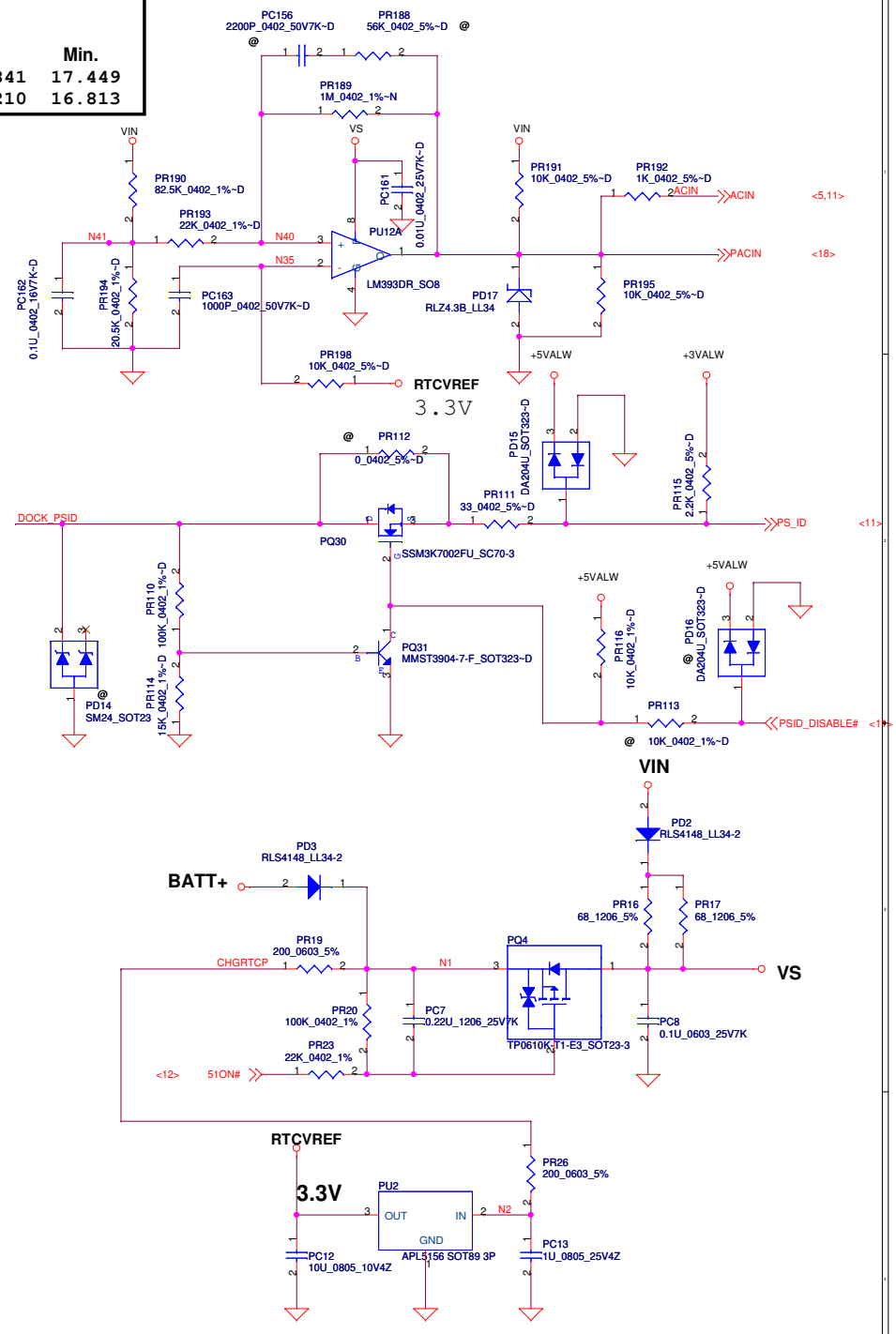
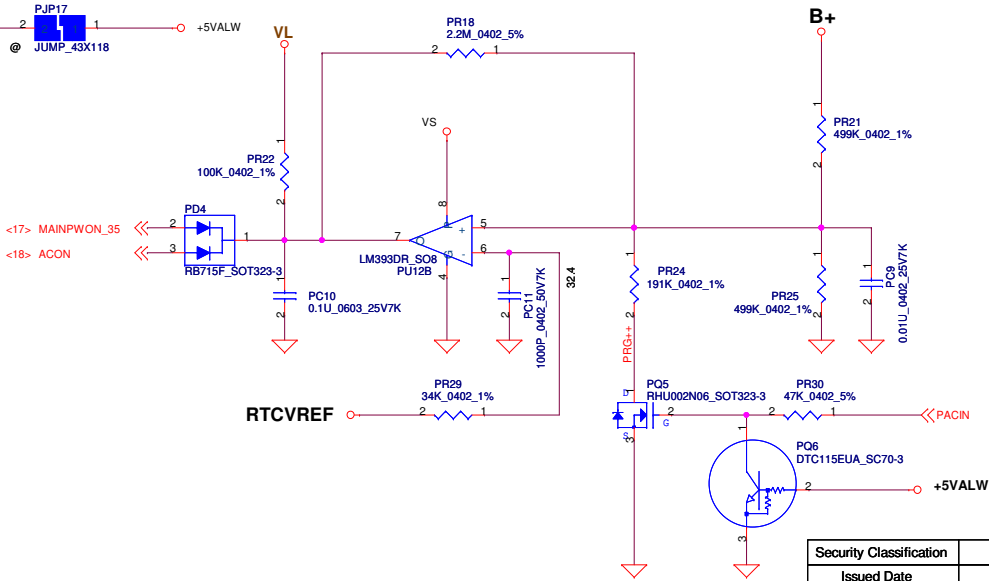


B+
ACIN

	Min.	typ.	Max.
H-->L	14.589V	14.84V	15.243V
L-->H	15.562V	15.97V	16.388V

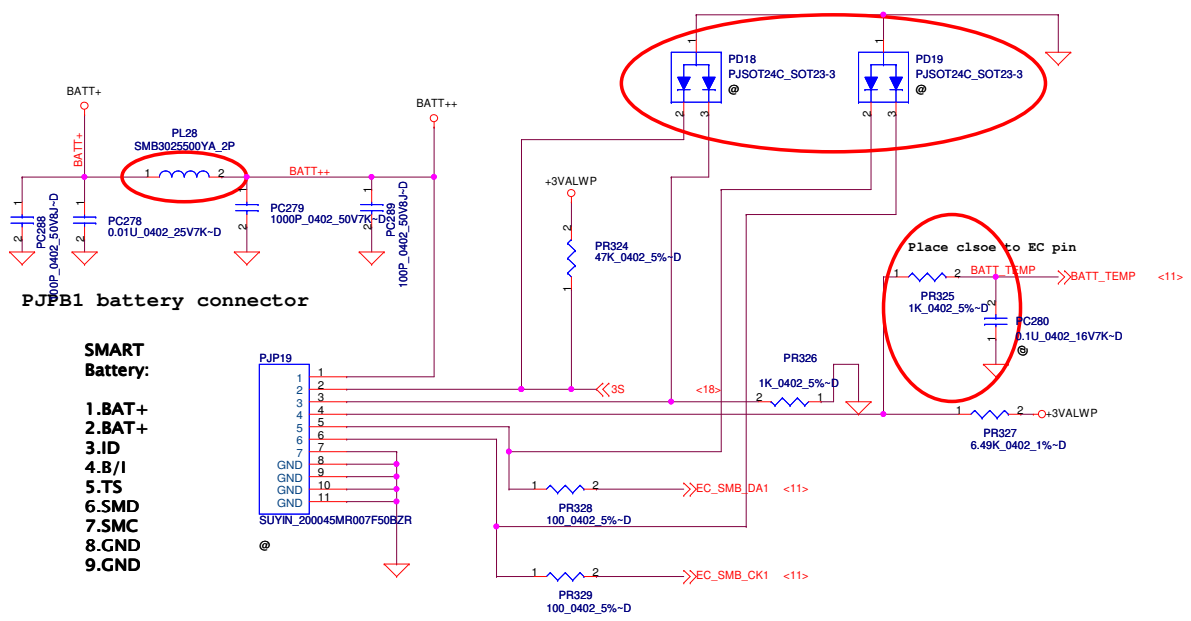
BATT ONLY

	Min.	typ.	Max.
H-->L	6.138V	6.214V	6.359V
L-->H	7.196V	7.349V	7.505V



Security Classification		Compal Secret Data	
Issued Date	2009/2/6	Deciphered Date	2010/2/6
THIS SHEET OF ENGINEERING DRAWING IS THE PROPRIETARY PROPERTY OF COMPAL ELECTRONICS, INC. AND CONTAINS CONFIDENTIAL AND TRADE SECRET INFORMATION. THIS SHEET MAY NOT BE TRANSFERRED FROM THE CUSTODY OF THE COMPETENT DIVISION OF R&D DEPARTMENT EXCEPT AS AUTHORIZED BY COMPAL ELECTRONICS, INC. NEITHER THIS SHEET NOR THE INFORMATION IT CONTAINS MAY BE USED BY OR DISCLOSED TO ANY THIRD PARTY WITHOUT PRIOR WRITTEN CONSENT OF COMPAL ELECTRONICS, INC.			

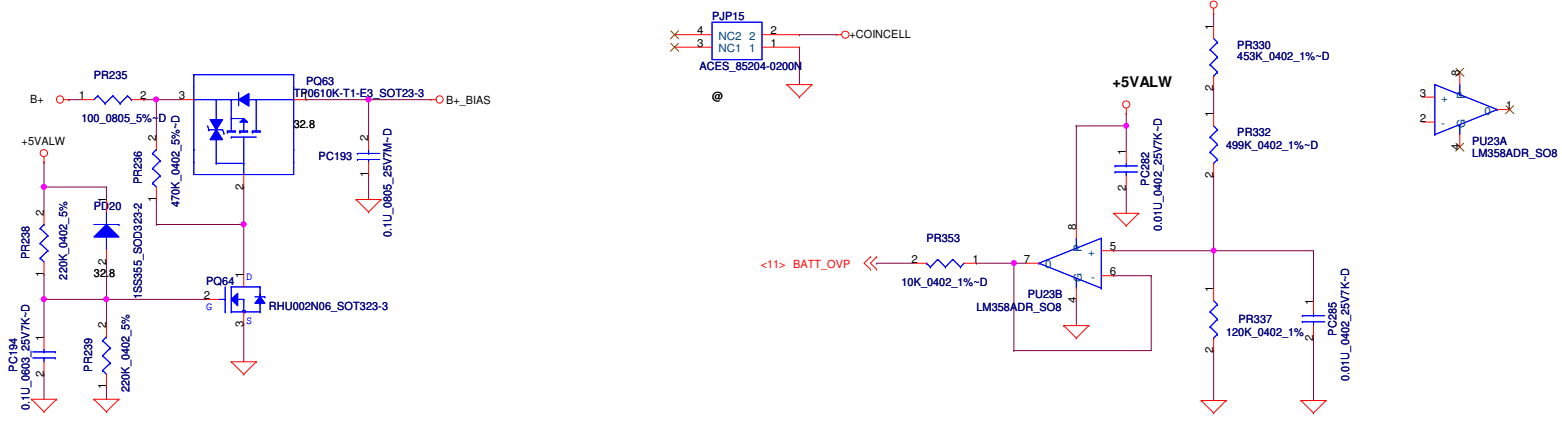
Compal Electronics, Inc.			
Title DCIN & DETECTOR			
Size Custom	Document Number LA-5461P	Rev 1.0	
Date: Wednesday, June 24, 2009	Sheet 15	of 20	



PJPB1 battery connector

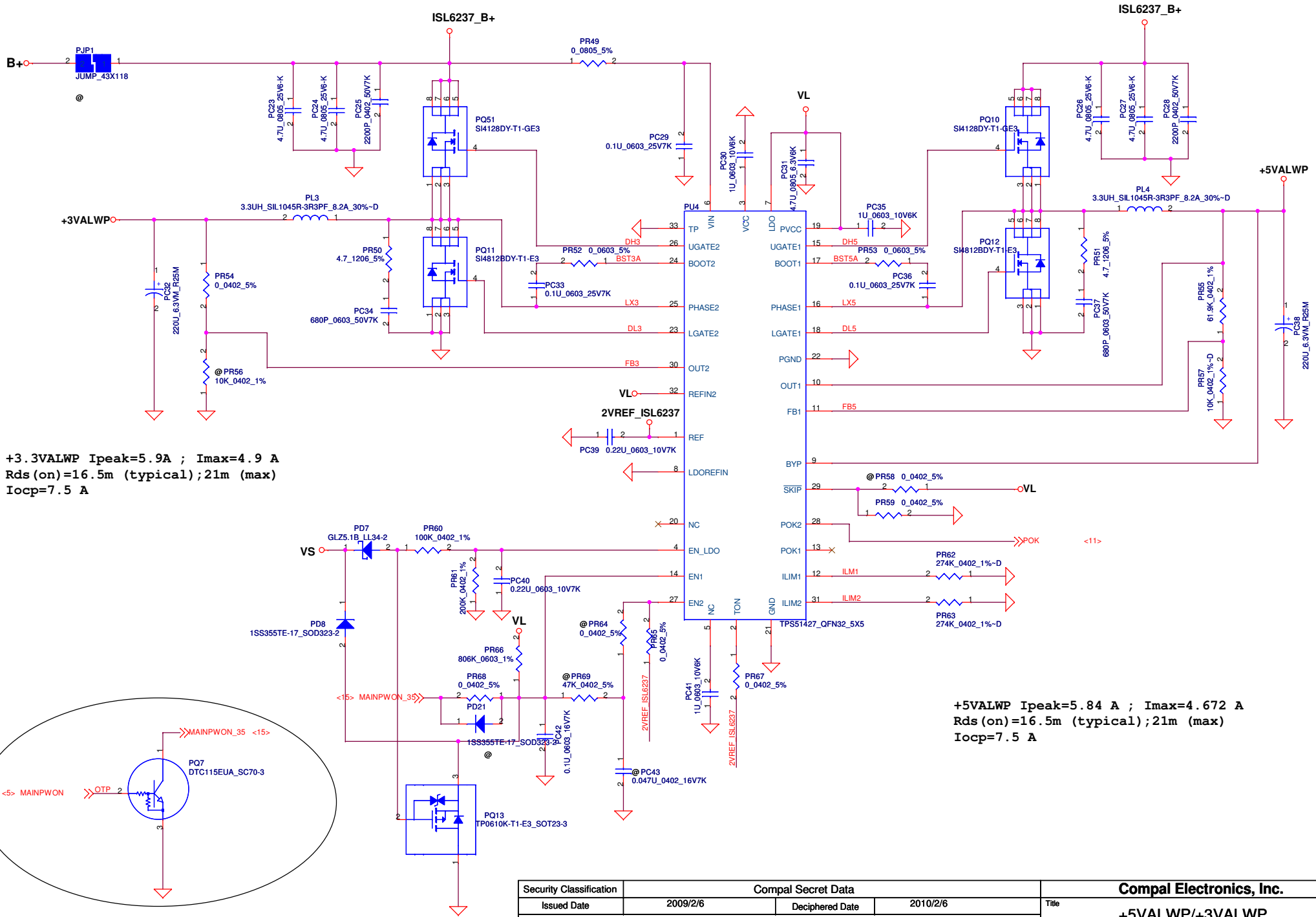
- SMART Battery:**
- 1.BAT+
 - 2.BAT+
 - 3.ID
 - 4.B/I
 - 5.TS
 - 6.SMD
 - 7.SMC
 - 8.GND
 - 9.GND

COIN RTC Battery



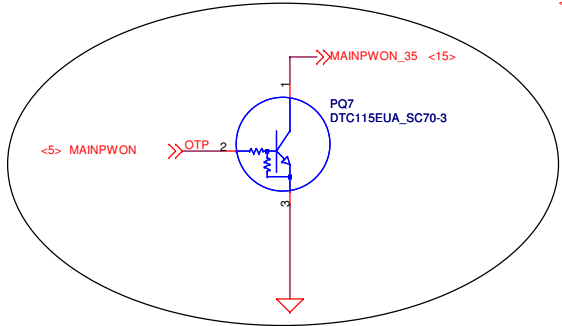
LI-3S : 13.5V----BATT-OVP=1.5V
 BATT-OVP=0.111*BATT+

Security Classification		Compal Secret Data		Compal Electronics, Inc.	
Issued Date	2009/2/6	Deciphered Date	2010/2/6	BATTERY CONN / OTP	
THIS SHEET OF ENGINEERING DRAWING IS THE PROPRIETARY PROPERTY OF COMPAL ELECTRONICS, INC. AND CONTAINS CONFIDENTIAL AND TRADE SECRET INFORMATION. THIS SHEET MAY NOT BE TRANSFERRED FROM THE CUSTODY OF THE COMPETENT DIVISION OF R&D DEPARTMENT EXCEPT AS AUTHORIZED BY COMPAL ELECTRONICS, INC. NEITHER THIS SHEET NOR THE INFORMATION IT CONTAINS MAY BE USED BY OR DISCLOSED TO ANY THIRD PARTY WITHOUT PRIOR WRITTEN CONSENT OF COMPAL ELECTRONICS, INC.					
Size	Custom	Document Number	LA-5461P		Rev
Date:	Wednesday, June 24, 2009	Sheet	16	of	20



+3.3VALWP Ipeak=5.9A ; Imax=4.9 A
 Rds(on)=16.5m (typical);21m (max)
 Iocp=7.5 A

+5VALWP Ipeak=5.84 A ; Imax=4.672 A
 Rds(on)=16.5m (typical);21m (max)
 Iocp=7.5 A

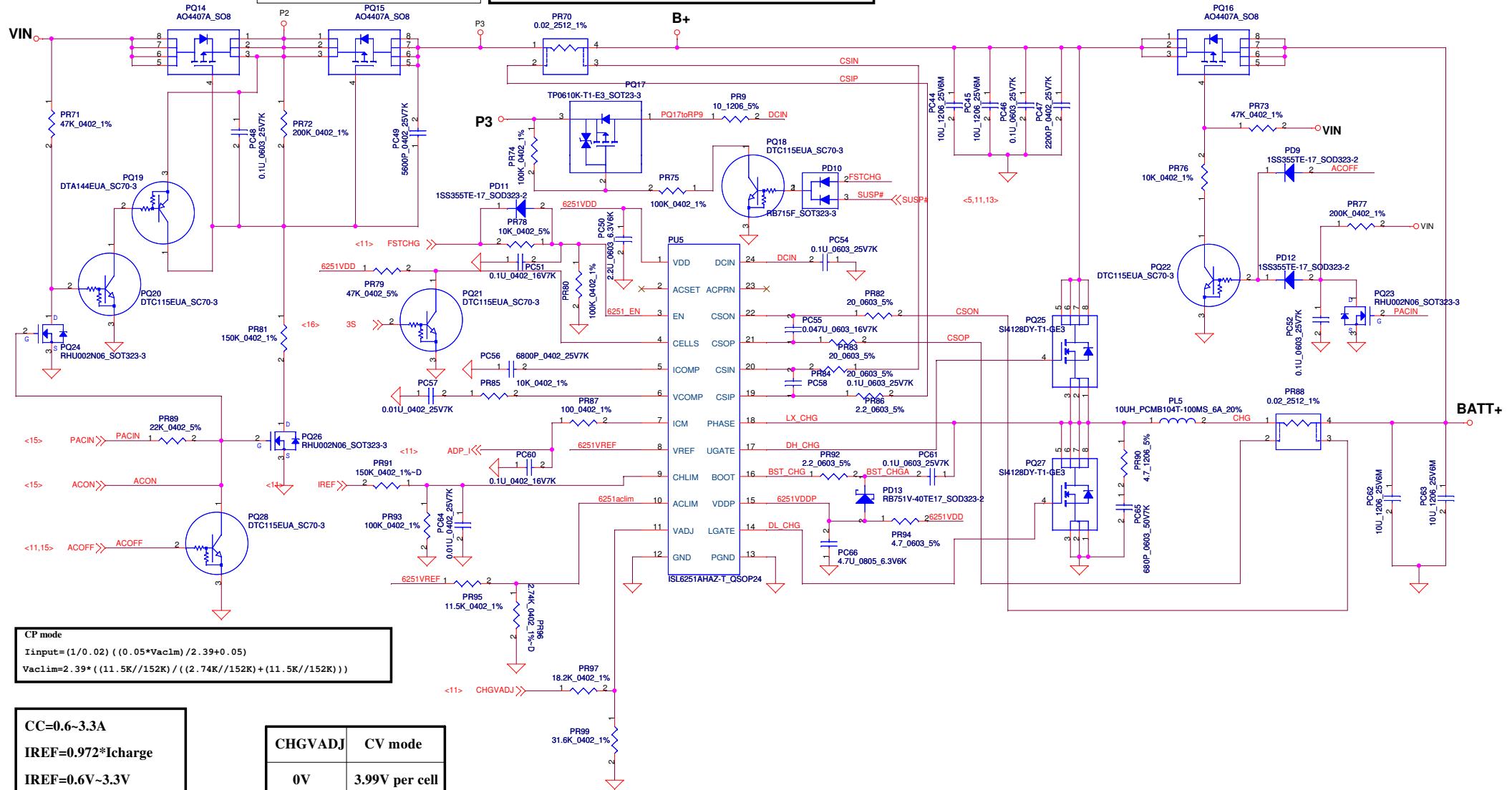


Security Classification		Compal Secret Data		Compal Electronics, Inc.	
Issued Date	2009/2/6	Deciphered Date	2010/2/6	Title	
THIS SHEET OF ENGINEERING DRAWING IS THE PROPRIETARY PROPERTY OF COMPAL ELECTRONICS, INC. AND CONTAINS CONFIDENTIAL AND TRADE SECRET INFORMATION. THIS SHEET MAY NOT BE TRANSFERRED FROM THE CUSTODY OF THE COMPETENT DIVISION OF R&D DEPARTMENT EXCEPT AS AUTHORIZED BY COMPAL ELECTRONICS, INC. NEITHER THIS SHEET NOR THE INFORMATION IT CONTAINS MAY BE USED BY OR DISCLOSED TO ANY THIRD PARTY WITHOUT PRIOR WRITTEN CONSENT OF COMPAL ELECTRONICS, INC.				Size	Rev
				Custom	1.0
				Date:	Wednesday, June 24, 2009
				Sheet	17 of 20

Iada=0~3.34A (65W)

$$ADP_I = 19.9 * I_{adapter} * R_{sense}$$

$$CP = 90 * I_{adapter} \text{ (rating)}; CP = 3.003A$$



CP mode
 $I_{input} = (1/0.02) * ((0.05 * V_{ac1m}) / 2.39 + 0.05)$
 $V_{ac1m} = 2.39 * ((11.5K / 152K) / ((2.74K / 152K) + (11.5K / 152K)))$

CC=0.6~3.3A
 IREF=0.972*Icharge
 IREF=0.6V~3.3V

CHGVADJ	CV mode
0V	3.99V per cell
1.91V	4.2V per cell
3.3V	4.35V per cell

Item	Reason for change	PG#	Modify List	Date	Phase
01	Reduce adapter plug in inrush current	P16	Add PR9 10 ohm	05/18/09	PT/ST
02	adjust adapter plug in power sequence	P17	change PR68 from 0 to 100k, PC42 from 0.047u to 1u	05/18/09	PT/ST
03	For OTP schematic	P17	Add PQ7	05/18/09	PT/ST
04					
05					
06					
07					
08					
09					
10					

Security Classification		Compal Secret Data		Title	
Issued Date	2005/06/01	Deciphered Date	2006/06/01	Compal Electronics, Inc.	
<small>THIS SHEET OF ENGINEERING DRAWING IS THE PROPRIETARY PROPERTY OF COMPAL ELECTRONICS, INC. AND CONTAINS CONFIDENTIAL AND TRADE SECRET INFORMATION. THIS SHEET MAY NOT BE TRANSFERRED FROM THE CUSTODY OF THE COMPETENT DIVISION OF R&D DEPARTMENT EXCEPT AS AUTHORIZED BY COMPAL ELECTRONICS, INC. NEITHER THIS SHEET NOR THE INFORMATION IT CONTAINS MAY BE USED BY OR DISCLOSED TO ANY THIRD PARTY WITHOUT PRIOR WRITTEN CONSENT OF COMPAL ELECTRONICS, INC.</small>				Size	Document Number
				Date: Wednesday, June 24, 2009	
				Rev	1.0
				Power PIR	
				LA-5461P	

Version Change List (P. I. R. List)

Page #	Title	Date	Request Owner	Issue Description	Solution Description	Rev.
6	LVDS	2009/5/4	Compal	Support EC & MCH PWN BL	reserve OR gate (U59,R132) (Pop OR gate)	X01
6	LVDS	2009/5/4	EC	Panel power up sequence.	Change D2 to 0 ohm(R163)	X01
8	HDMI	2009/5/4	ME	DFX issue	Change HDMI connector to DIP type (TAITW_PDVBR0-19FLBS4NN4N1)	X01
11	EC	2009/5/4	Compal	follow CPU board SCI# to ALW power plane	Change EC_SCI# pull high from +3VS to +3VALW	X01
12	PWBOTTOM	2009/5/4	Compal	Add LID SW in PWR board duplication reserve ESD	Change Power botton connector to 4 pin,del D11	X01
5,6	Camrea	2009/5/6	BIOS	For external USB connector power manage feature implementation	Change Camera USB Port 3 to Port 7	X01
5	OTP	2009/5/6	Compal	OTP no function	Add VL power in JHOST pin 6	X01
14	Cyrstal	2009/5/7	Compal	For cyrstal EA result	Change Y1 to 25MHZ_12PF, C114 to 15pf,C24 to 18pf	X01
10	WTB	2009/5/7	ME	For ASSY issue	Redefine JWTB1 pinout	X01
6	LVDS, DMIC	2009/5/8	Compal	LCD sequence T1 issue,DMIC EMI issue	Change R25 to 56K,C15 to 0.1u,R30 to L13, pop C458,C459	X01
5	CLOCK	2009/5/8	Compal	duplication reserve R for CLK_EC on CPB and MB	Del R6	X01
12	PW SW	2009/5/12	Compal	Power derating fail	Add R1062 1.5M,change R117 to 470k	X01
8	HDMI	2009/5/12	Compal	HDMI TEST to got more eye margin	Change R123 to 442 ohm	X01
12	Pwr/SW	2009/5/13	Compal	Bear S5 Issue Recovery	Change C79 to 25V de-rating parts	X01
11	EC	2009/5/15	Compal	Change Board ID to X01	Depop R64,pop R65	X01
5,12	CLOCK	2009/6/15	Compal	For RF team request for WWW noise	Change C83 to 33pF, reserve C1252,C1253,C1254	A00
11	EC	2009/6/15	Compal	Change Board ID to A00	Depop R65,pop R66	A00
11	LID	2009/6/15	Compal	Change LID SW pull hight form PW/B to MB	Add R137	A00
7	WLAN/WWAN	2009/6/18	Compal	Remove 0 ohm for cost down	Depop R16,R17,R89,R90,Remove R88,R118,R119,R120,R121,R122,R292,R293	A00
13	3VLAN	2009/6/18	Compal	Remove 0 ohm for cost down	Remove R159	A00
8	HDMI	2009/6/18	Compal	For Safity test Overload issue	Pop F1, Change R48 to PJP4	A00
12	SPI	2009/6/18	Compal	Remove 0 ohm for cost down	Remove R104,R105,R106	A00
13						

DELL CONFIDENTIAL/PROPRIETARY

PROPRIETARY NOTE: THIS SHEET OF ENGINEERING DRAWING AND SPECIFICATIONS CONTAINS CONFIDENTIAL TRADE SECRET AND OTHER PROPRIETARY INFORMATION OF DELL INC. ("DELL") THIS DOCUMENT MAY NOT BE TRANSFERRED OR COPIED WITHOUT THE EXPRESS WRITTEN AUTHORIZATION OF DELL. IN ADDITION, NEITHER THIS SHEET NOR THE INFORMATION IT CONTAINS MAY BE USED BY OR DISCLOSED TO ANY THIRD PARTY WITHOUT DELL'S EXPRESS WRITTEN CONSENT.

Compal Electronics, Inc.		
Title HW PIR		
Size	Document Number LA-5461P	Rev 1.0
Date: Wednesday, June 24, 2009 Sheet 20 of 20		

s-manuals.com