

K2

REV : 1B
5/18/2006

@ : Nopop Component

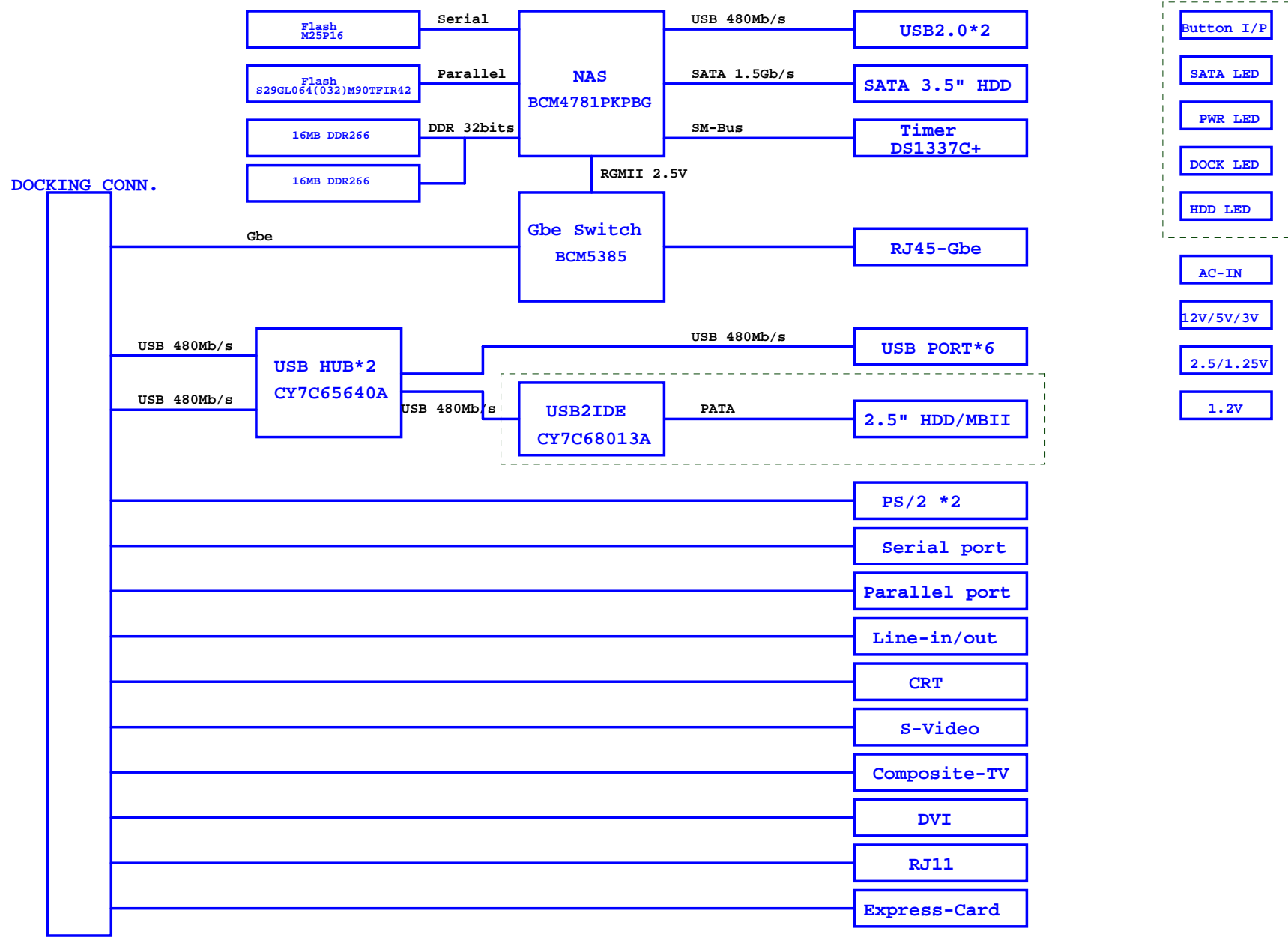
硬體二部

機密

解密日期 Dec. 26, 2006

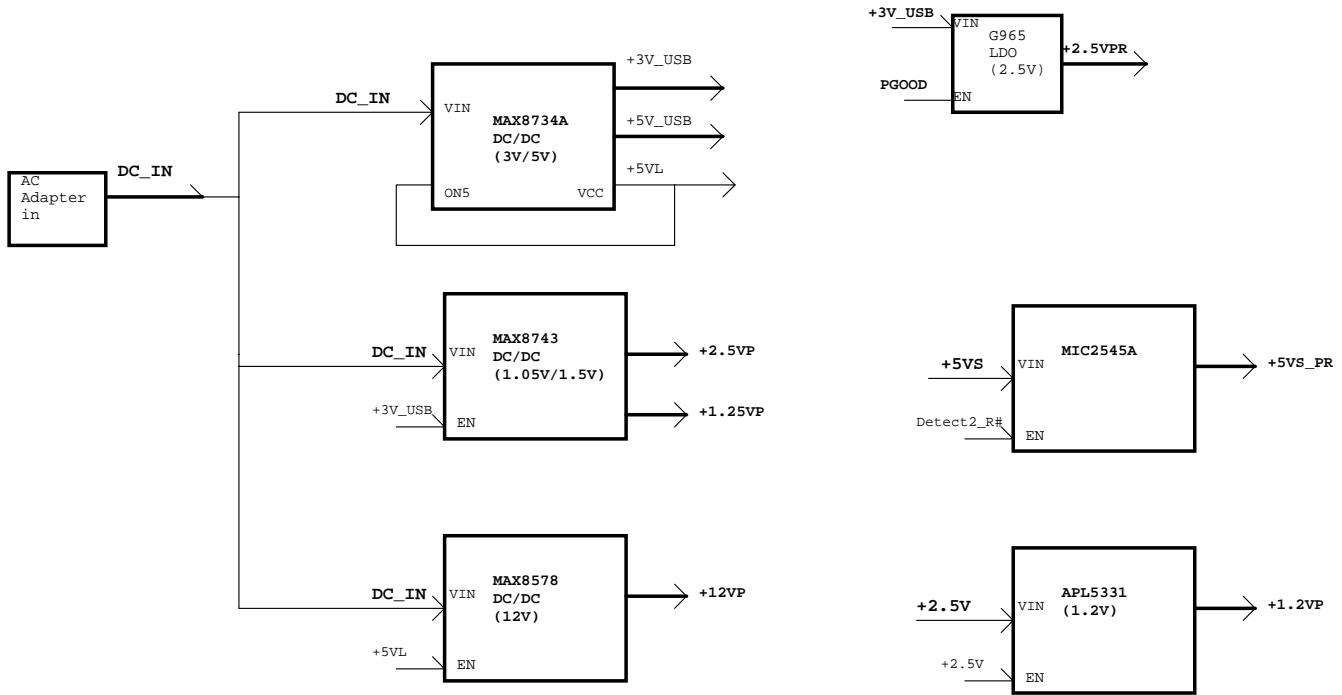
Security Classification	Compal Secret Data			Title	COVER SHEET	
Issued Date	2005/05/01	Deciphered Date	2006/05/01	Document Number	LA-2961P	Rev 1B
<small>THIS SHEET OF ENGINEERING DRAWING IS THE PROPRIETARY PROPERTY OF COMPAL ELECTRONICS, INC. AND CONTAINS CONFIDENTIAL AND TRADE SECRET INFORMATION. THIS SHEET MAY NOT BE TRANSFERRED FROM THE CUSTODY OF THE COMPETENT DIVISION OF R&D DEPARTMENT EXCEPT AS AUTHORIZED BY COMPAL ELECTRONICS, INC. NEITHER THIS SHEET NOR THE INFORMATION IT CONTAINS MAY BE USED BY OR DISCLOSED TO ANY THIRD PARTY WITHOUT PRIOR WRITTEN CONSENT OF COMPAL ELECTRONICS, INC.</small>				Date:	Thursday, May 18, 2006	Sheet 1 of 28

K2 Block Diagram

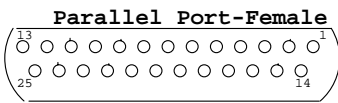


⎓ :Stand for sub/B

Security Classification		Compal Secret Data		Title	
Issued Date	2005/05/01	Deciphered Date	2006/05/01	Block Diagram	
THIS SHEET OF ENGINEERING DRAWING IS THE PROPRIETARY PROPERTY OF COMPAL ELECTRONICS, INC. AND CONTAINS CONFIDENTIAL AND TRADE SECRET INFORMATION. THIS SHEET MAY NOT BE TRANSFERRED FROM THE CUSTODY OF THE COMPETENT DIVISION OF R&D DEPARTMENT EXCEPT AS AUTHORIZED BY COMPAL ELECTRONICS, INC. NEITHER THIS SHEET NOR THE INFORMATION IT CONTAINS MAY BE USED BY OR DISCLOSED TO ANY THIRD PARTY WITHOUT PRIOR WRITTEN CONSENT OF COMPAL ELECTRONICS, INC.				Document Number	Rev
				LA-2961P	1B
Date:				Thursday, May 18, 2006	Sheet 2 of 28

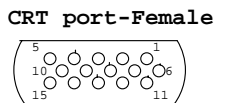


Security Classification		Compal Secret Data		Title	
Issued Date	2005/05/01	Deciphered Date	2006/05/01	POWER Tree	
THIS SHEET OF ENGINEERING DRAWING IS THE PROPRIETARY PROPERTY OF COMPAL ELECTRONICS, INC. AND CONTAINS CONFIDENTIAL AND TRADE SECRET INFORMATION. THIS SHEET MAY NOT BE TRANSFERRED FROM THE CUSTODY OF THE COMPETENT DIVISION OF R&D DEPARTMENT EXCEPT AS AUTHORIZED BY COMPAL ELECTRONICS, INC. NEITHER THIS SHEET NOR THE INFORMATION IT CONTAINS MAY BE USED BY OR DISCLOSED TO ANY THIRD PARTY WITHOUT PRIOR WRITTEN CONSENT OF COMPAL ELECTRONICS, INC.				Document Number	Rev
				LA-2961P	1B
Date:				Thursday, May 18, 2006	Sheet 3 of 28



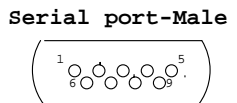
<Front view>

Signal	Pin
Strobe	1
Data 0	2
Data 1	3
Data 2	4
Data 3	5
Data 4	6
Data 5	7
Data 6	8
Data 7	9
Acknowledge	10
Busy	11
Paper End	12
Select	13
Auto Feed	14
Error	15
Init	16
Select In	17
Ground	18-25



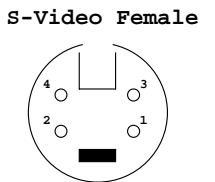
<Front view>

Signal	Pin
R	1
G	2
B	3
HSYNC	13
VSYNC	14
GND	6,7,8,10,11



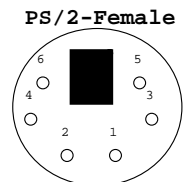
<Front view>

Signal	Pin
Data Carrier Detect	1
Received Data	2
Transmitted Data	3
DTE (Data Terminal) Ready	4
Signal Ground	5
DCE (Data Set) Ready	6
Request to Send	7
Clear to Send	8
Ring Indicator	9



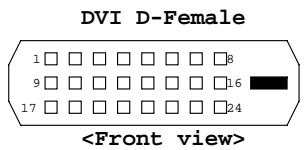
<Front view>

Signal	Pin
GND	1
GND	2
Y Intrnsity	3
C Color	4



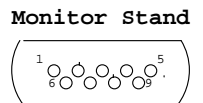
<Front view>

Signal	Pin
Data	1
NC	2
GND	3
+5V	4
Clock	5
NC	6



<Front view>

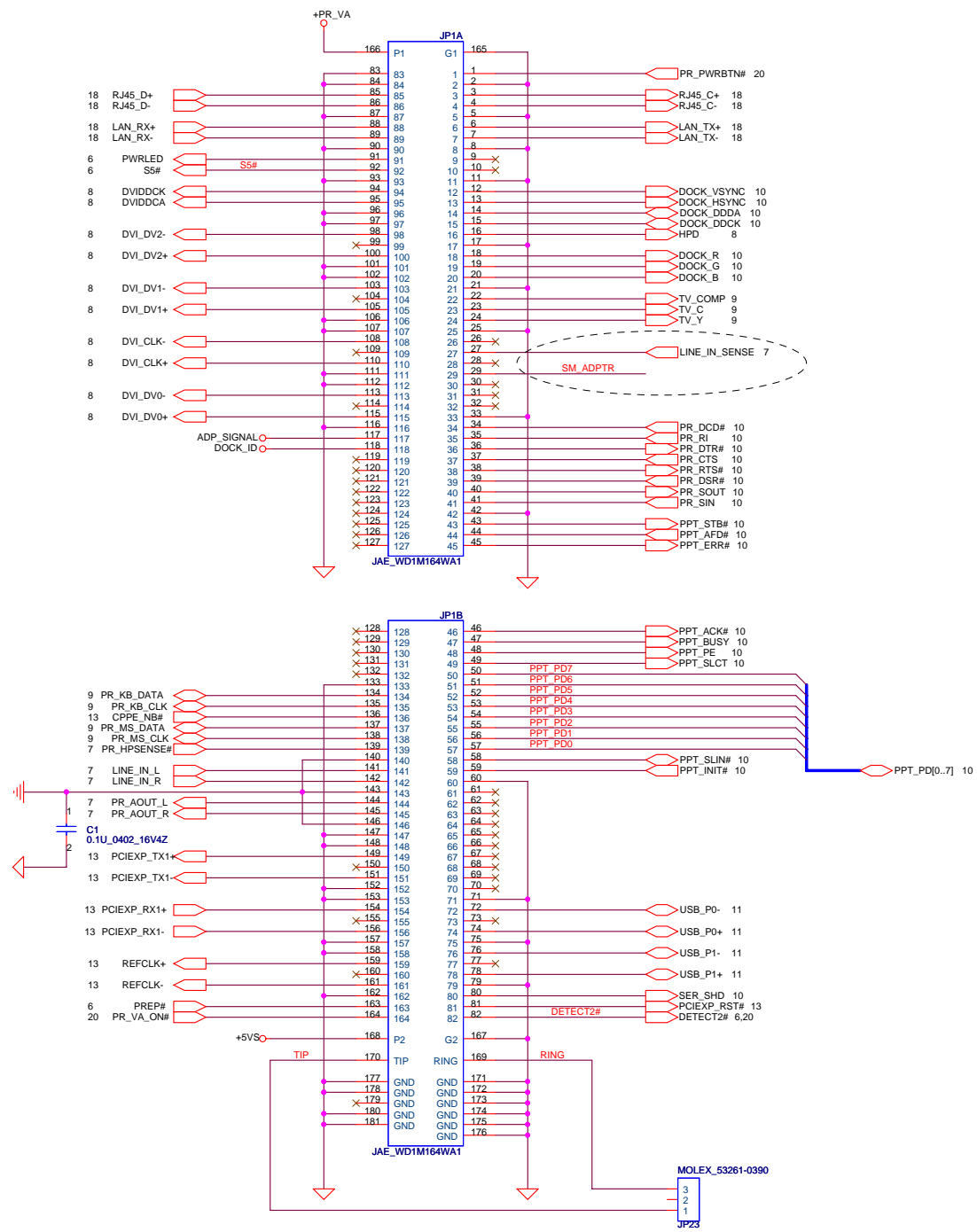
Signal	Pin
TMDS Data2-	1
TMDS Data2+	2
TMDS Data2 Shield	3
DDC Clock	6
DDC Data	7
TMDS Data1-	9
TMDS Data1+	10
TMDS Data1 Shield	11
+5 V Power	14
Ground (for +5 V)	15
Hot Plug Detect	16
TMDS Data0-	17
TMDSData0+	18
TMDS Data0Shield	19
TMDS Clock Shield	22
TMDS Clock +	23
TMDS Clock -	24
4 5 8 12 13 20 21	NC



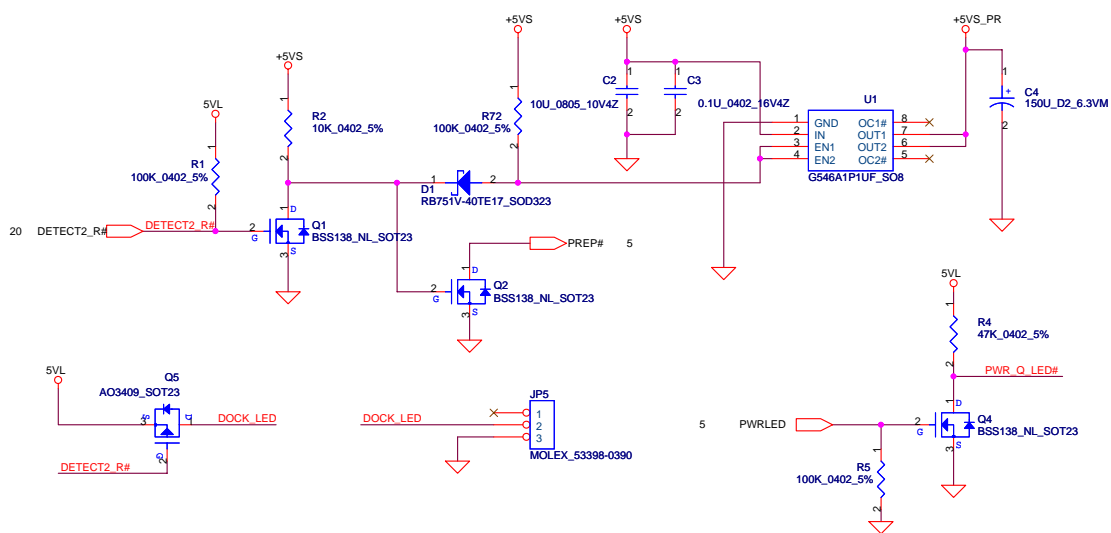
<Front view>

Signal	Pin
DOCK_VCC	1
DOCK_LED	2
PWR_Q_LED#	3
IDLE_Q_LED#	4
PWRBTN#	5
GND	6
5VL	7
NC	8
NC	9

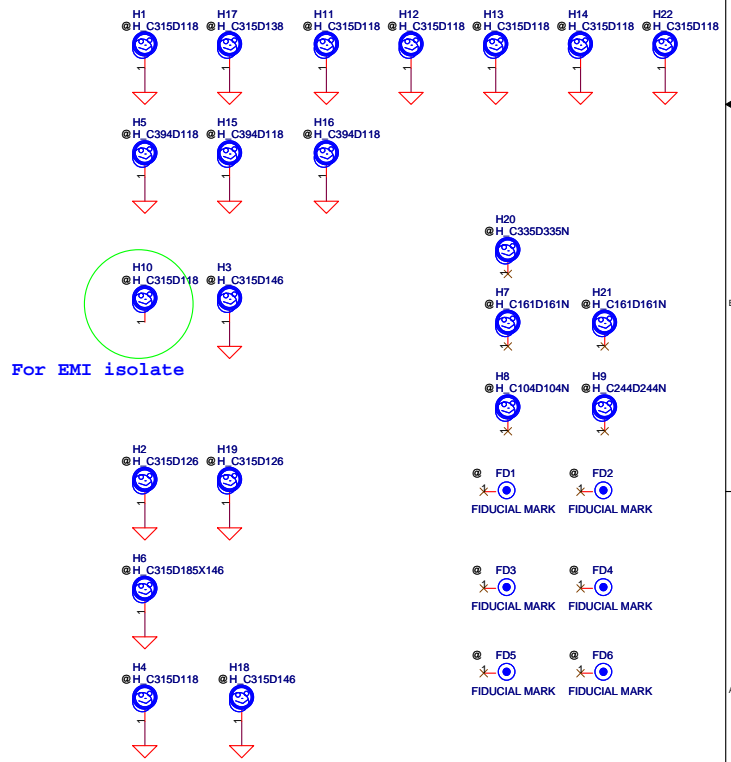
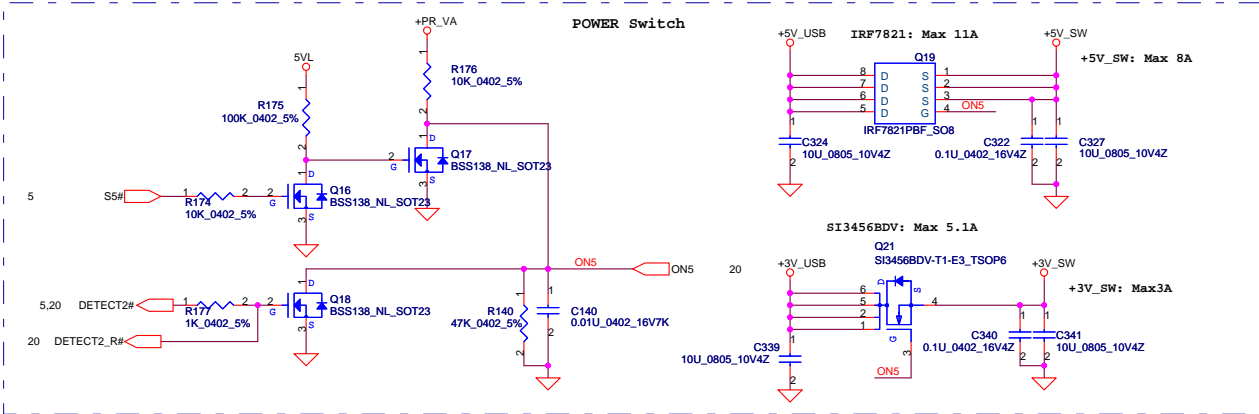
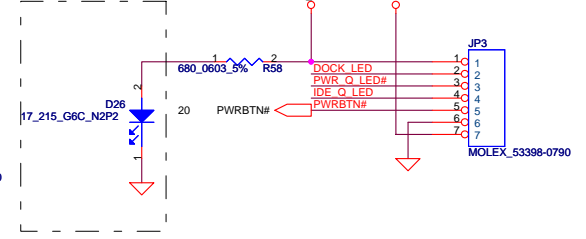
Security Classification	Compal Secret Data			Title	NOTE
Issued Date	2005/05/01	Deciphered Date	2006/05/01	Document Number	LA-2961P
THIS SHEET OF ENGINEERING DRAWING IS THE PROPRIETARY PROPERTY OF COMPAL ELECTRONICS, INC. AND CONTAINS CONFIDENTIAL AND TRADE SECRET INFORMATION. THIS SHEET MAY NOT BE TRANSFERRED FROM THE CUSTODY OF THE COMPETENT DIVISION OF R&D DEPARTMENT EXCEPT AS AUTHORIZED BY COMPAL ELECTRONICS, INC. NEITHER THIS SHEET NOR THE INFORMATION IT CONTAINS MAY BE USED BY OR DISCLOSED TO ANY THIRD PARTY WITHOUT PRIOR WRITTEN CONSENT OF COMPAL ELECTRONICS, INC.				Date:	Thursday, May 18, 2006
				Sheet	4 of 28
				Rev	1B



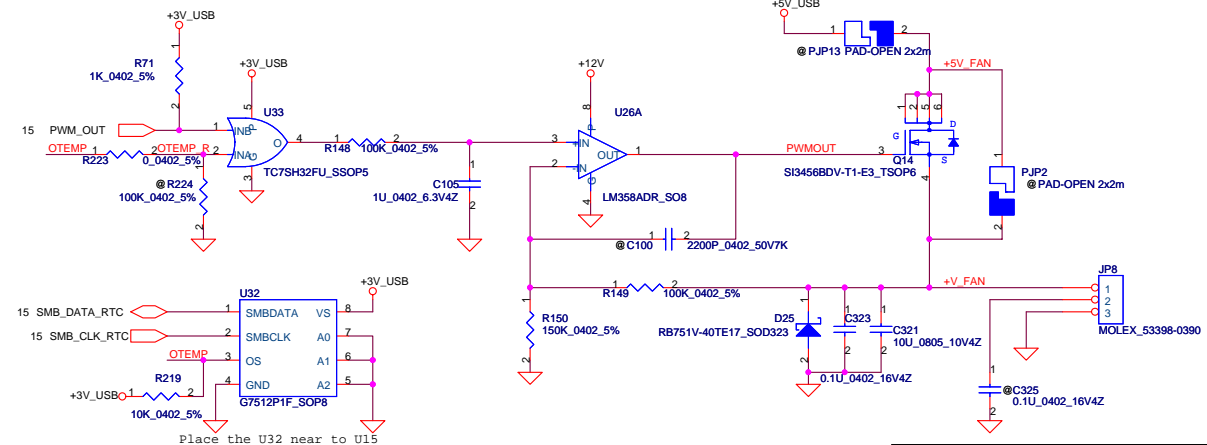
Security Classification		Compal Secret Data		Title	
Issued Date	2005/05/01	Deciphered Date	2006/05/01	Docking I/F	
THIS SHEET OF ENGINEERING DRAWING IS THE PROPRIETARY PROPERTY OF COMPAL ELECTRONICS, INC. AND CONTAINS CONFIDENTIAL AND TRADE SECRET INFORMATION. THIS SHEET MAY NOT BE TRANSFERRED FROM THE CUSTODY OF THE COMPETENT DIVISION OF R&D DEPARTMENT EXCEPT AS AUTHORIZED BY COMPAL ELECTRONICS, INC. NEITHER THIS SHEET NOR THE INFORMATION IT CONTAINS MAY BE USED BY OR DISCLOSED TO ANY THIRD PARTY WITHOUT PRIOR WRITTEN CONSENT OF COMPAL ELECTRONICS, INC.				Document Number	Rev 1B
Date:	Thursday, May 18, 2006	Sheet	5 of 28		



Place this LED near to the AC-Jack

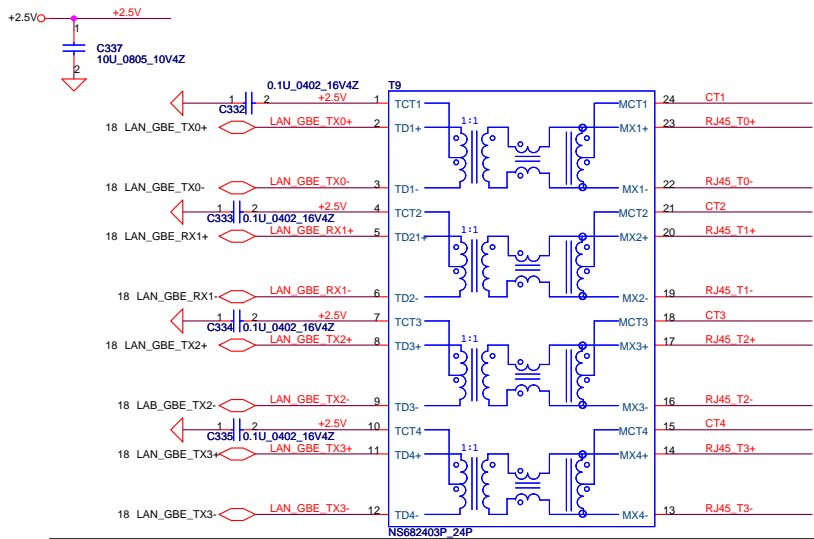


For EMI isolate

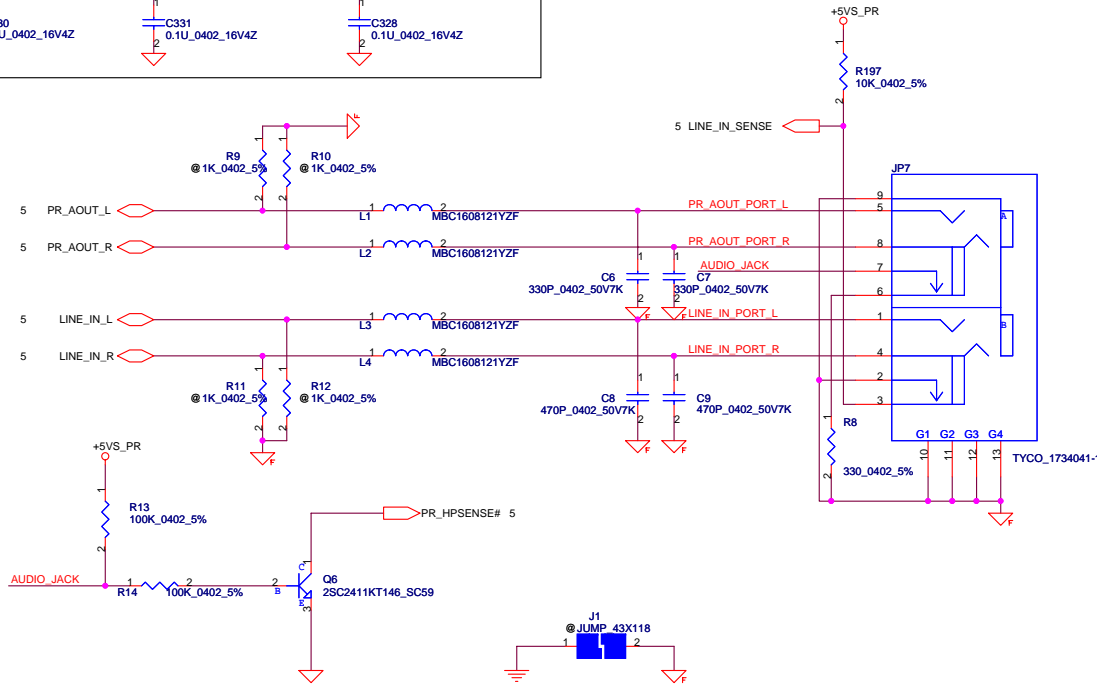
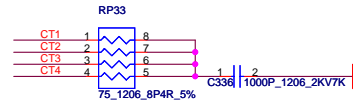
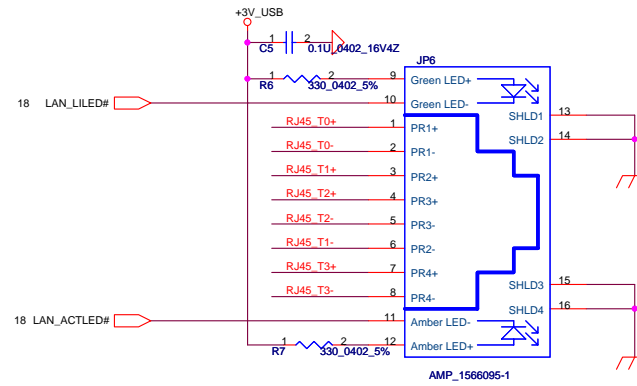
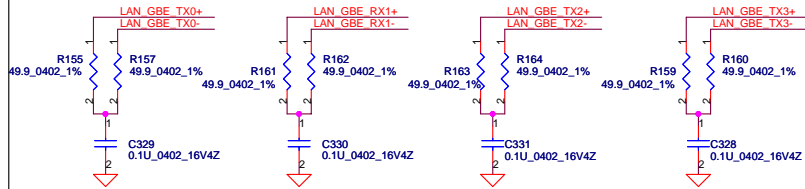


Place the U32 near to U15

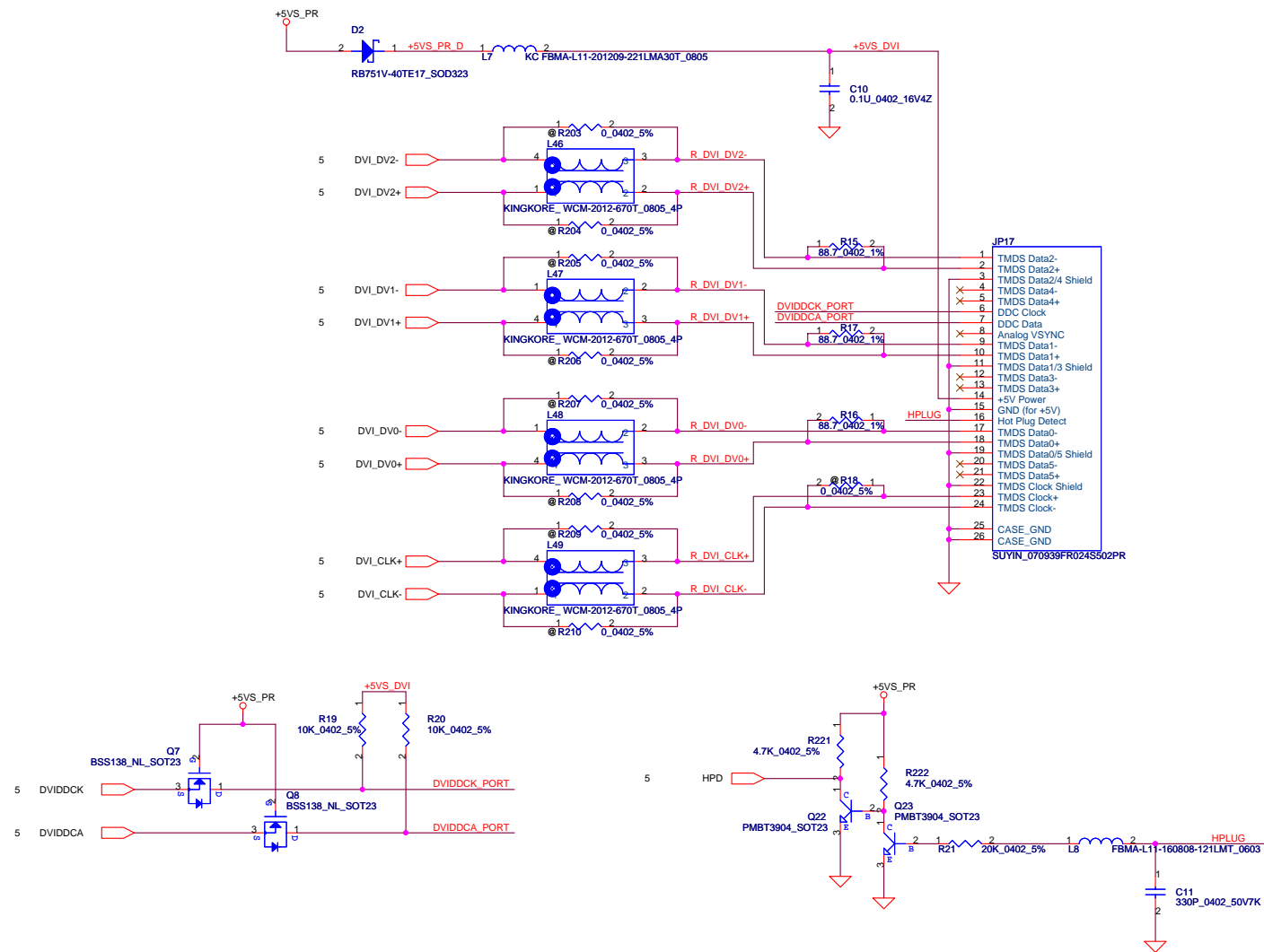
Security Classification				Compal Secret Data		Title	
Issued Date	2005/05/01	Deciphered Date	2006/05/01	Detector,FAN			
THIS SHEET OF ENGINEERING DRAWING IS THE PROPRIETARY PROPERTY OF COMPAL ELECTRONICS, INC. AND CONTAINS CONFIDENTIAL AND TRADE SECRET INFORMATION. THIS SHEET MAY NOT BE TRANSFERRED FROM THE CUSTODY OF THE COMPETENT DIVISION OF R&D DEPARTMENT EXCEPT AS AUTHORIZED BY COMPAL ELECTRONICS, INC. NEITHER THIS SHEET NOR THE INFORMATION IT CONTAINS MAY BE USED BY OR DISCLOSED TO ANY THIRD PARTY WITHOUT PRIOR WRITTEN CONSENT OF COMPAL ELECTRONICS, INC.							
Date: Thursday, May 18, 2006				Sheet 6 of 28		Rev 1B	



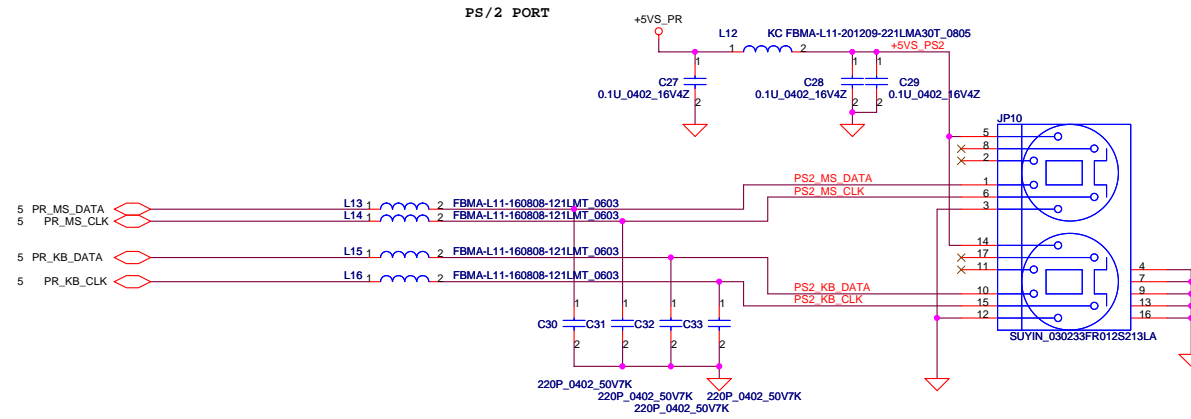
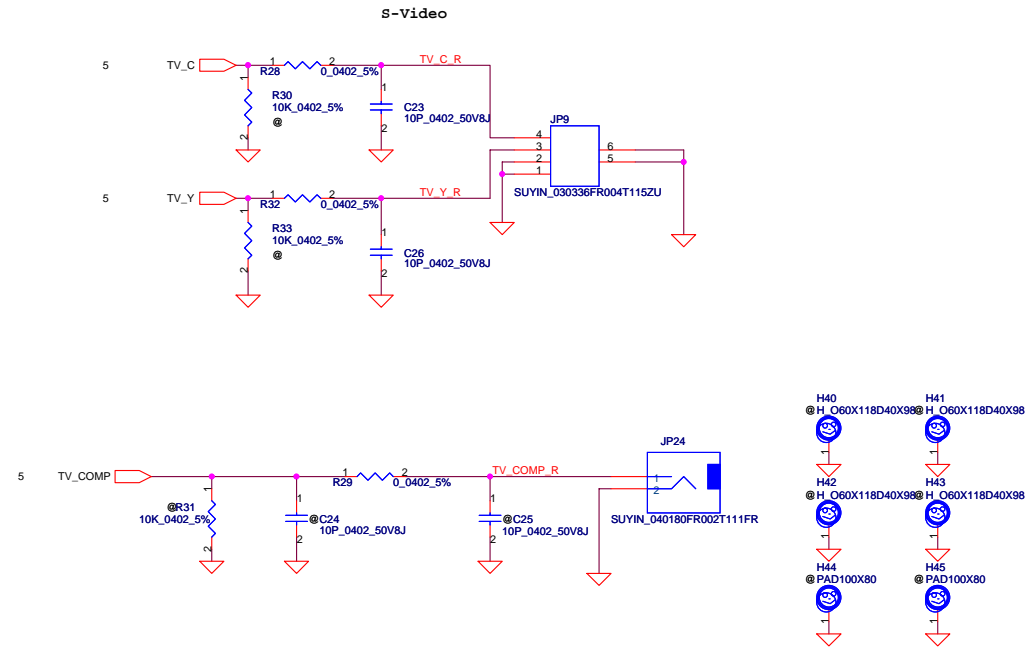
Close to PHY



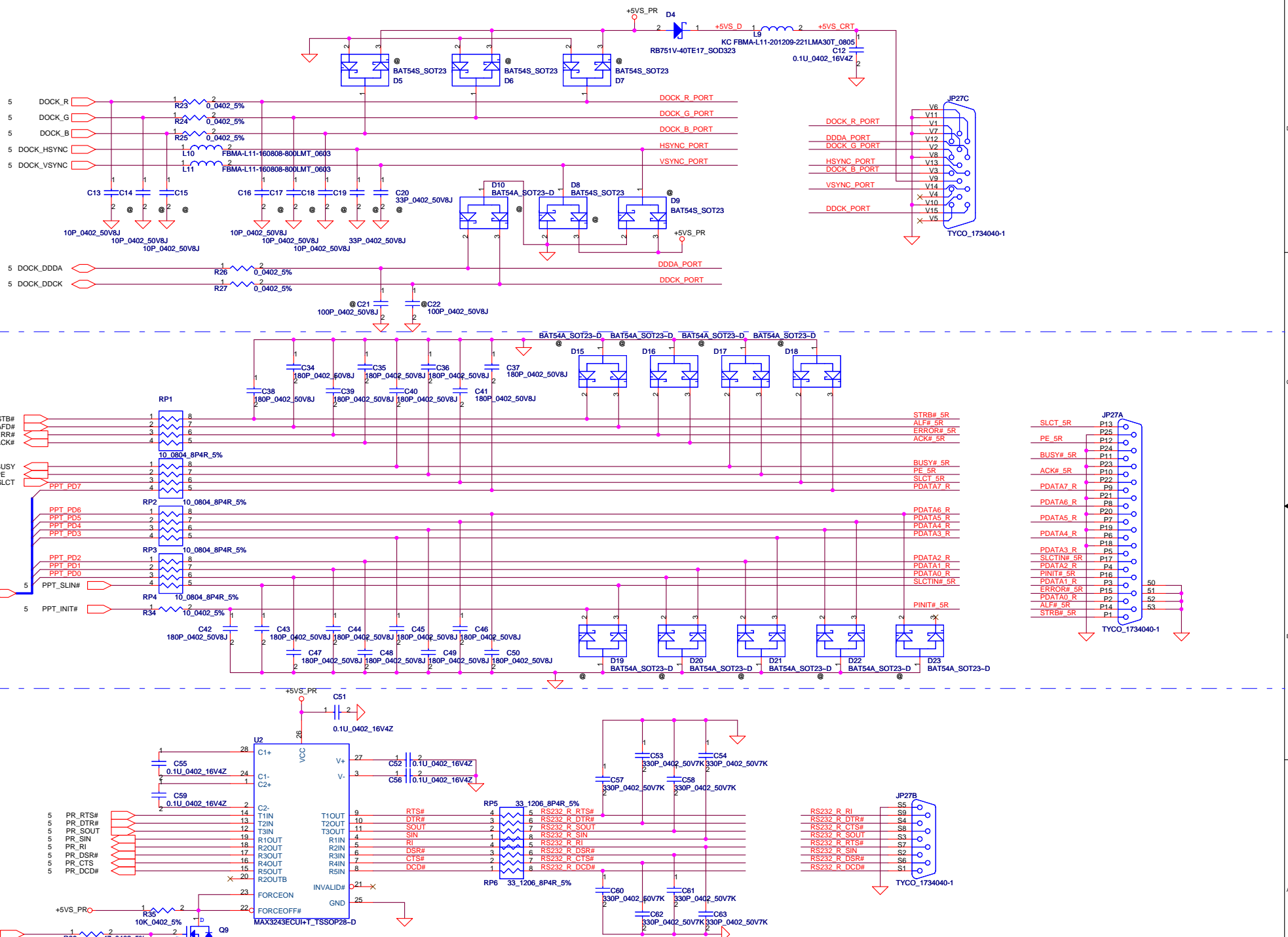
Security Classification	Compal Secret Data			Title	gLAN_Audio	
Issued Date	2005/05/01	Deciphered Date	2006/05/01	Document Number	LA-2961P	
THIS SHEET OF ENGINEERING DRAWING IS THE PROPRIETARY PROPERTY OF COMPAL ELECTRONICS, INC. AND CONTAINS CONFIDENTIAL AND TRADE SECRET INFORMATION. THIS SHEET MAY NOT BE TRANSFERRED FROM THE CUSTODY OF THE COMPETENT DIVISION OF R&D DEPARTMENT EXCEPT AS AUTHORIZED BY COMPAL ELECTRONICS, INC. NEITHER THIS SHEET NOR THE INFORMATION IT CONTAINS MAY BE USED BY OR DISCLOSED TO ANY THIRD PARTY WITHOUT PRIOR WRITTEN CONSENT OF COMPAL ELECTRONICS, INC.				Date:	Thursday, May 18, 2006	Sheet 7 of 28



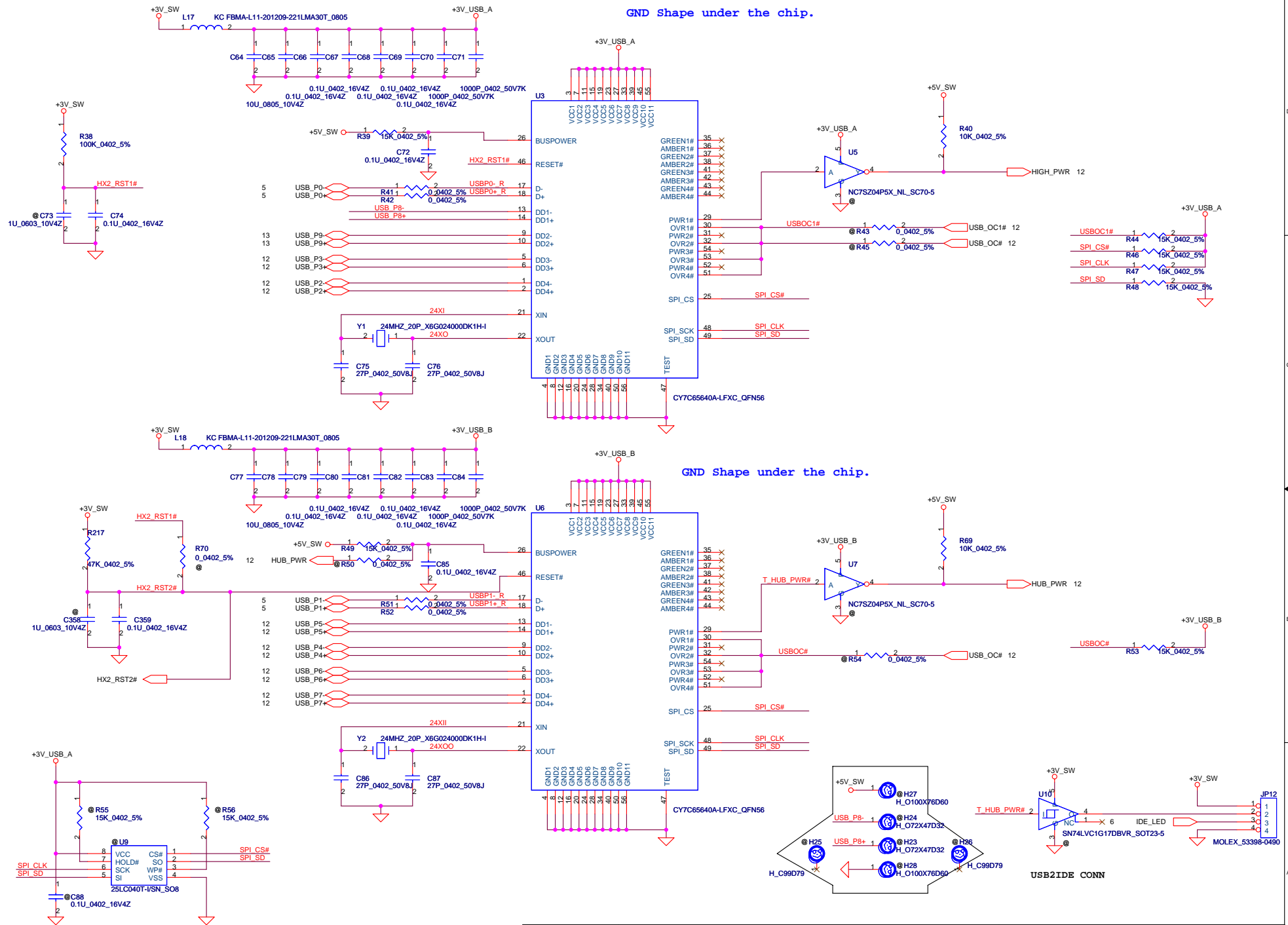
Security Classification		Compal Secret Data		Title	
Issued Date	2005/05/01	Deciphered Date	2006/05/01	DVI	
THIS SHEET OF ENGINEERING DRAWING IS THE PROPRIETARY PROPERTY OF COMPAL ELECTRONICS, INC. AND CONTAINS CONFIDENTIAL AND TRADE SECRET INFORMATION. THIS SHEET MAY NOT BE TRANSFERRED FROM THE CUSTODY OF THE COMPETENT DIVISION OF R&D DEPARTMENT EXCEPT AS AUTHORIZED BY COMPAL ELECTRONICS, INC. NEITHER THIS SHEET NOR THE INFORMATION IT CONTAINS MAY BE USED BY OR DISCLOSED TO ANY THIRD PARTY WITHOUT PRIOR WRITTEN CONSENT OF COMPAL ELECTRONICS, INC.				Document Number	Rev
				LA-2961P	1B
Date: Thursday, May 18, 2006				Sheet	8 of 28



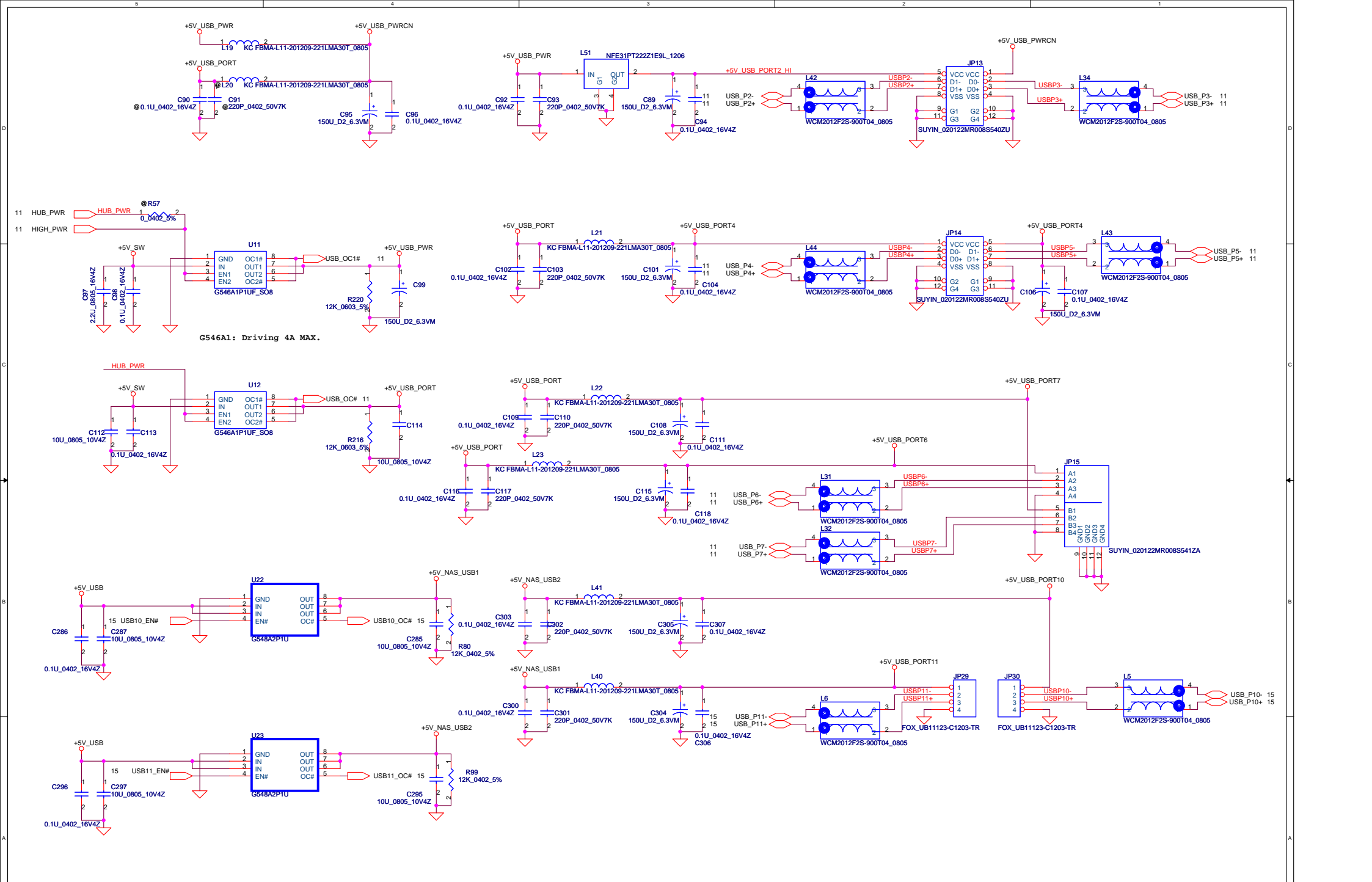
Security Classification				Compal Secret Data				Title		
Issued Date		2005/05/01		Deciphered Date		2006/05/01		S Video,Comp-TV,PS/2		
<small>THIS SHEET OF ENGINEERING DRAWING IS THE PROPRIETARY PROPERTY OF COMPAL ELECTRONICS, INC. AND CONTAINS CONFIDENTIAL AND TRADE SECRET INFORMATION. THIS SHEET MAY NOT BE TRANSFERRED FROM THE CUSTODY OF THE COMPETENT DIVISION OF R&D DEPARTMENT EXCEPT AS AUTHORIZED BY COMPAL ELECTRONICS, INC. NEITHER THIS SHEET NOR THE INFORMATION IT CONTAINS MAY BE USED BY OR DISCLOSED TO ANY THIRD PARTY WITHOUT PRIOR WRITTEN CONSENT OF COMPAL ELECTRONICS, INC.</small>								Document Number	Rev	
								LA-2961P	1B	
Date:								Thursday, May 18, 2006	Sheet	9 of 28



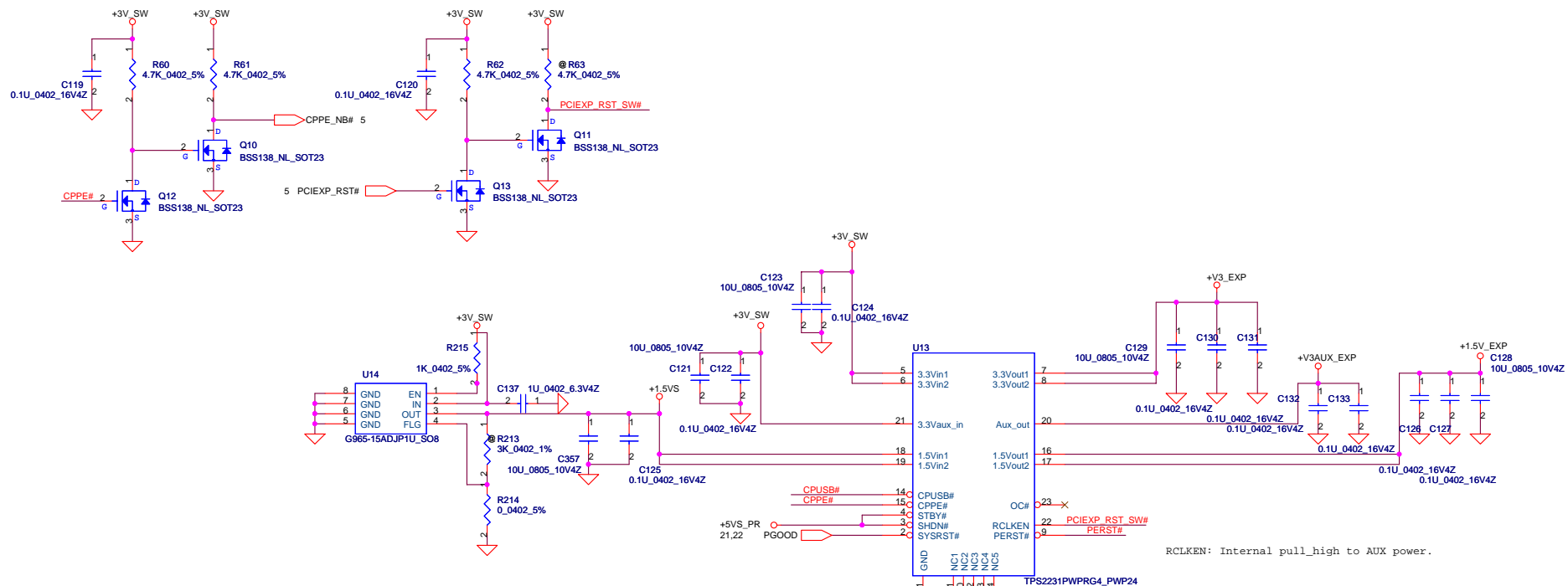
Security Classification		Compal Secret Data		Title	
Issued Date	2005/05/01	Deciphered Date	2006/05/01	Serial,CRT,Parallel	
THIS SHEET OF ENGINEERING DRAWING IS THE PROPRIETARY PROPERTY OF COMPAL ELECTRONICS, INC. AND CONTAINS CONFIDENTIAL AND TRADE SECRET INFORMATION. THIS SHEET MAY NOT BE TRANSFERRED FROM THE CUSTODY OF THE COMPETENT DIVISION OF R&D DEPARTMENT EXCEPT AS AUTHORIZED BY COMPAL ELECTRONICS, INC. NEITHER THIS SHEET NOR THE INFORMATION IT CONTAINS MAY BE USED BY OR DISCLOSED TO ANY THIRD PARTY WITHOUT PRIOR WRITTEN CONSENT OF COMPAL ELECTRONICS, INC.					
Document Number	LA-2961P			Rev	1B
Date:	Thursday, May 18, 2006	Sheet	10 of 28		



Security Classification	Compal Secret Data			Title
Issued Date	2005/05/01	Deciphered Date	2006/05/01	USB HUB*2
<small>THIS SHEET OF ENGINEERING DRAWING IS THE PROPRIETARY PROPERTY OF COMPAL ELECTRONICS, INC. AND CONTAINS CONFIDENTIAL AND TRADE SECRET INFORMATION. THIS SHEET MAY NOT BE TRANSFERRED FROM THE CUSTODY OF THE COMPETENT DIVISION OF RELIABLE DEPARTMENT EXCEPT AS AUTHORIZED BY COMPAL ELECTRONICS, INC. NEITHER THIS SHEET NOR THE INFORMATION IT CONTAINS MAY BE USED BY OR DISCLOSED TO ANY THIRD PARTY WITHOUT PRIOR WRITTEN CONSENT OF COMPAL ELECTRONICS, INC.</small>				Document Number LA-2961P
Date:	Thursday, May 18, 2006	Sheet	11 of 28	Rev 1B

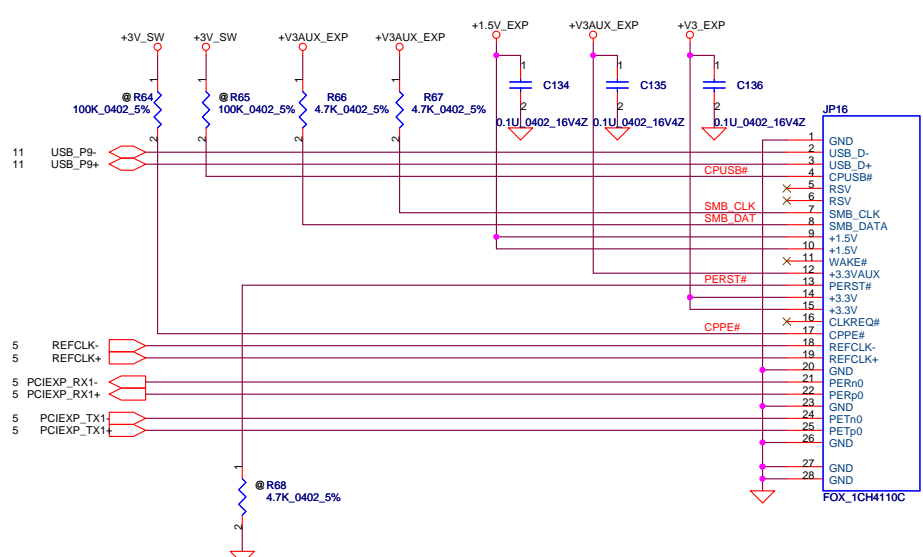


Security Classification		Compal Secret Data		Title	
Issued Date	2005/05/01	Deciphered Date	2006/05/01	USB Port*8	
THIS SHEET OF ENGINEERING DRAWING IS THE PROPRIETARY PROPERTY OF COMPAL ELECTRONICS, INC. AND CONTAINS CONFIDENTIAL AND TRADE SECRET INFORMATION. THIS SHEET MAY NOT BE TRANSFERRED FROM THE CUSTODY OF THE COMPETENT DIVISION OF R&D DEPARTMENT EXCEPT AS AUTHORIZED BY COMPAL ELECTRONICS, INC. NEITHER THIS SHEET NOR THE INFORMATION IT CONTAINS MAY BE USED BY OR DISCLOSED TO ANY THIRD PARTY WITHOUT PRIOR WRITTEN CONSENT OF COMPAL ELECTRONICS, INC.					
Document Number	LA-2961P			Rev	1B
Date:	Thursday, May 18, 2006	Sheet	12	of	28

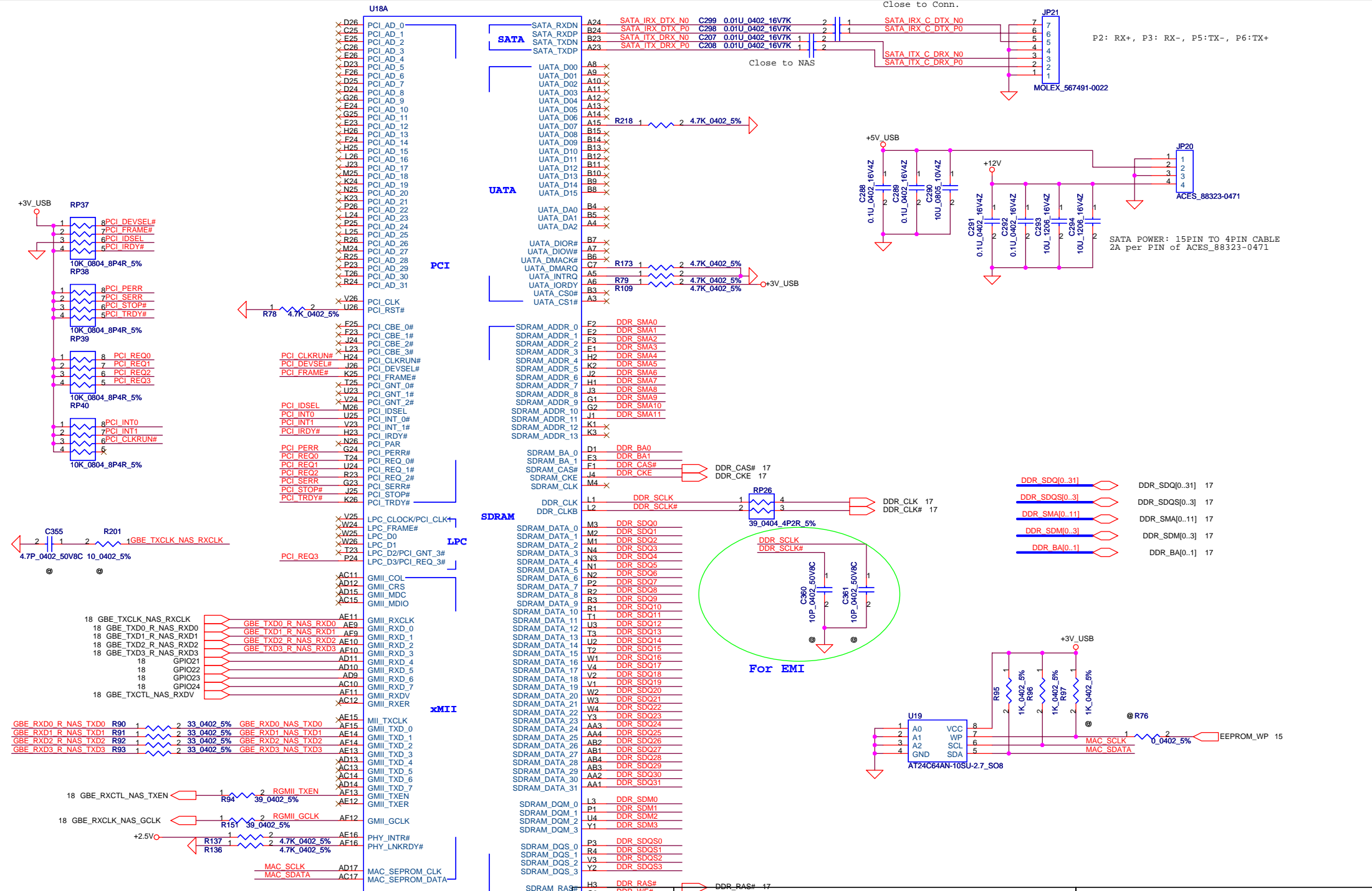


U13 USE TSSOP24 FOR LAYOUT
+1.5V_CARD Max. 650mA, Average 500mA
+3V_CARD Max. 1300mA, Average 1000mA

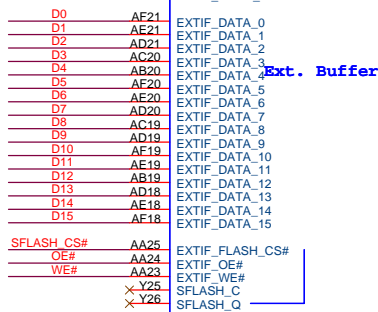
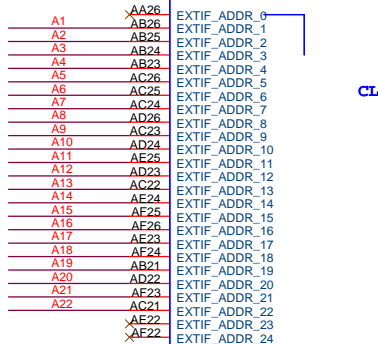
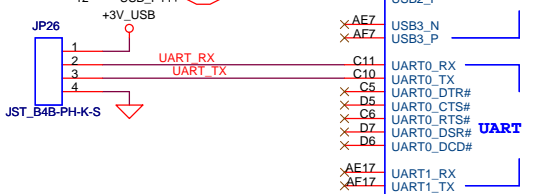
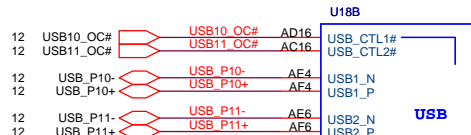
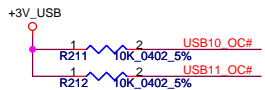
RCLKEN: Internal pull_high to AUX power.



Security Classification	Compal Secret Data			Title	Express Card
Issued Date	2005/05/01	Deciphered Date	2006/05/01	Document Number	LA-2961P
THIS SHEET OF ENGINEERING DRAWING IS THE PROPRIETARY PROPERTY OF COMPAL ELECTRONICS, INC. AND CONTAINS CONFIDENTIAL AND TRADE SECRET INFORMATION. THIS SHEET MAY NOT BE TRANSFERRED FROM THE CUSTODY OF THE COMPETENT DIVISION OF R&D DEPARTMENT EXCEPT AS AUTHORIZED BY COMPAL ELECTRONICS, INC. NEITHER THIS SHEET NOR THE INFORMATION IT CONTAINS MAY BE USED BY OR DISCLOSED TO ANY THIRD PARTY WITHOUT PRIOR WRITTEN CONSENT OF COMPAL ELECTRONICS, INC.				Date:	Thursday, May 18, 2006
				Sheet	13 of 28

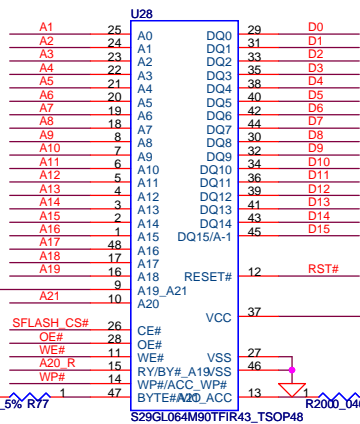


Security Classification		Compal Secret Data	
Issued Date	2005/05/01	Deciphered Date	2006/05/01
Title		BCM4781-LPC,SATA,DDR,xMII	
THIS SHEET OF ENGINEERING DRAWING IS THE PROPRIETARY PROPERTY OF COMPAL ELECTRONICS, INC. AND CONTAINS CONFIDENTIAL AND TRADE SECRET INFORMATION. THIS SHEET MAY NOT BE TRANSFERRED FROM THE CUSTODY OF THE COMPETENT DIVISION OF R&D DEPARTMENT EXCEPT AS AUTHORIZED BY COMPAL ELECTRONICS, INC. NEITHER THIS SHEET NOR THE INFORMATION IT CONTAINS MAY BE USED BY OR DISCLOSED TO ANY THIRD PARTY WITHOUT PRIOR WRITTEN CONSENT OF COMPAL ELECTRONICS, INC.		Document Number	LA-2961P
Date:	Thursday, May 18, 2006	Sheet	14 of 28

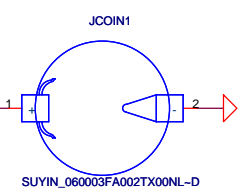
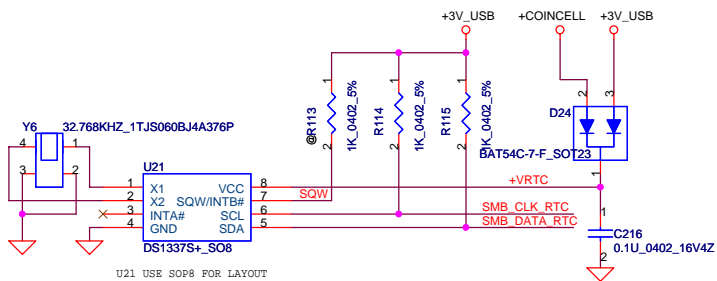
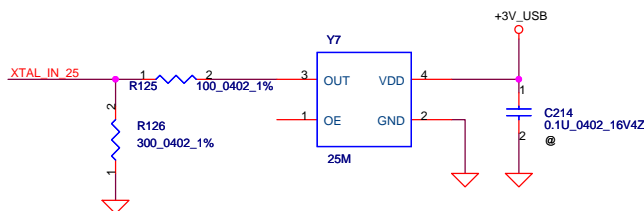
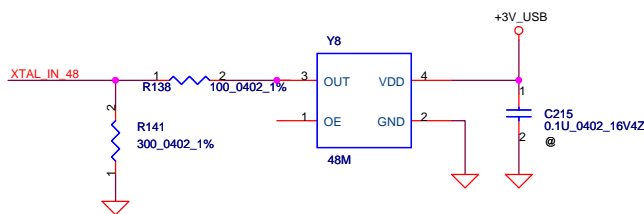
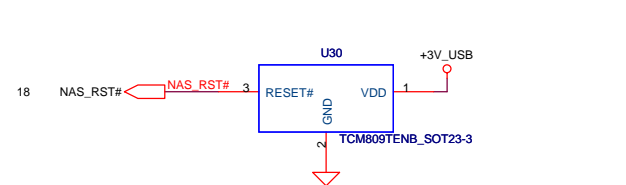
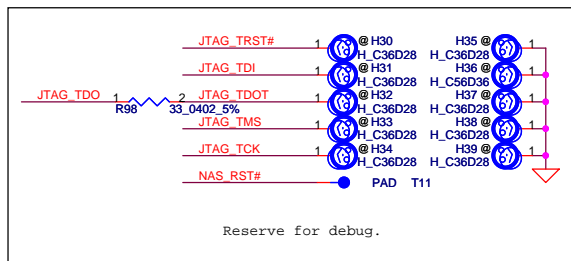
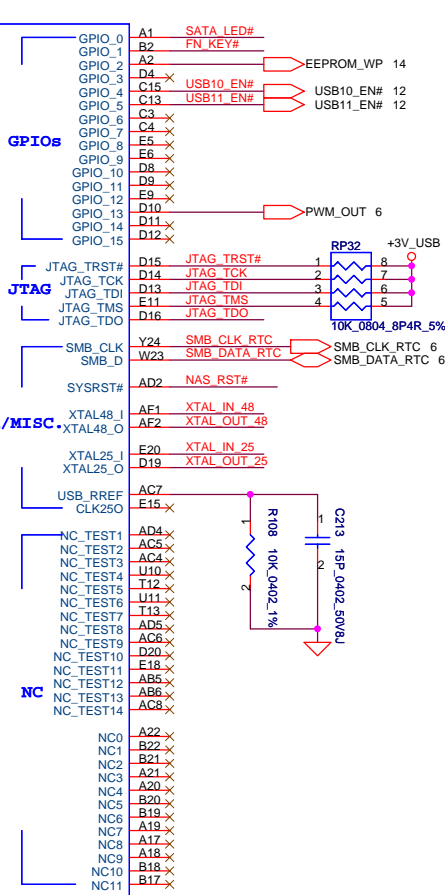
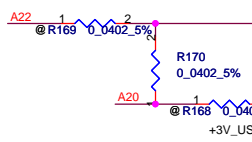


BCM4781PKPBG_PBGA484

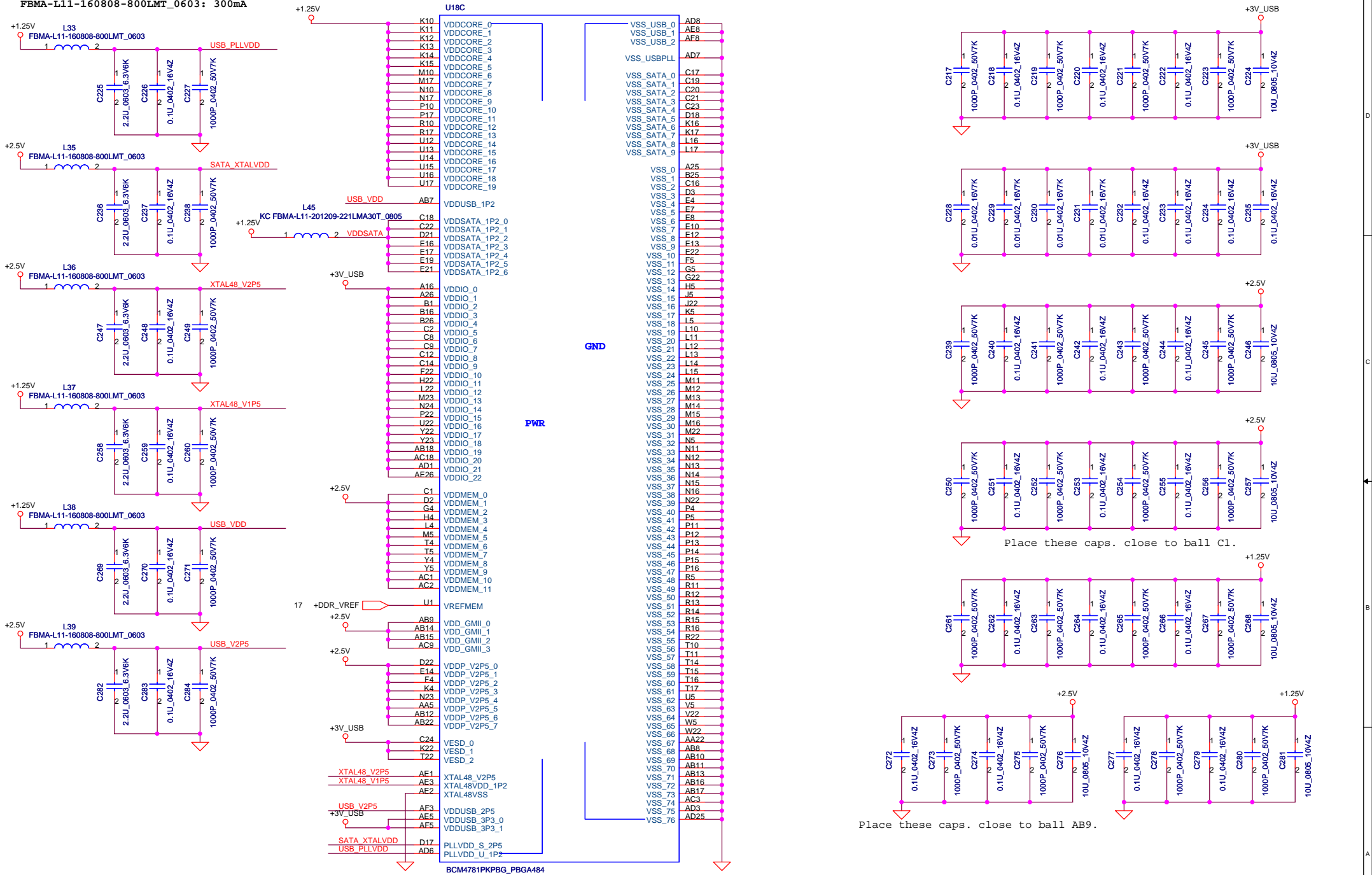
Use spansion S29GL064M90TFIR4 for DB2 Build.



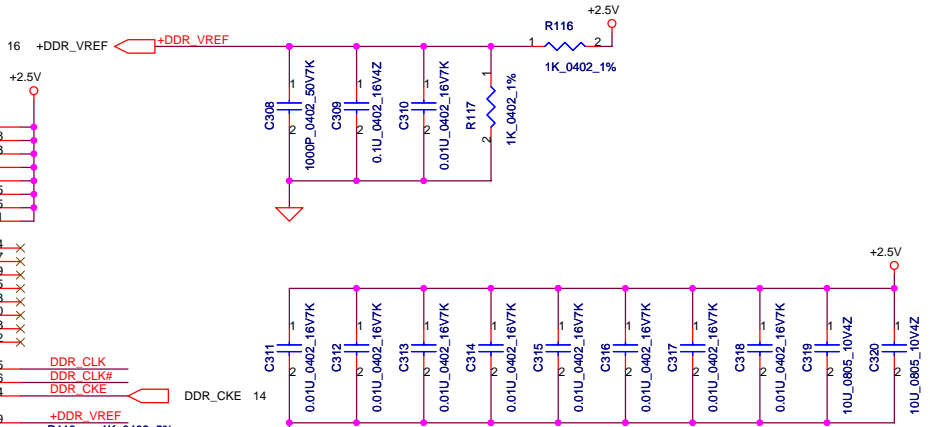
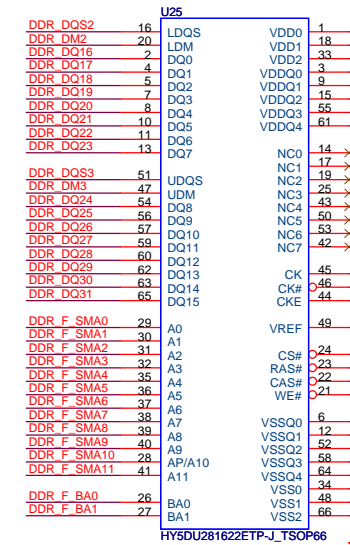
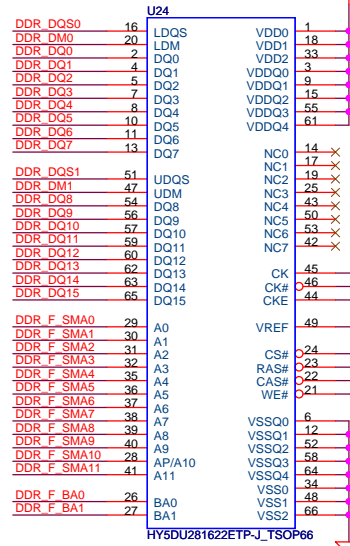
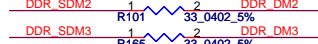
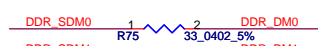
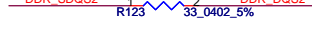
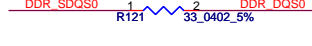
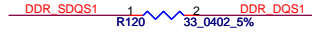
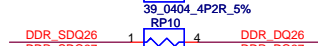
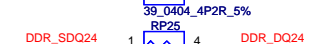
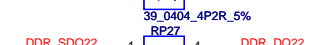
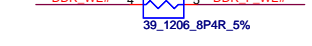
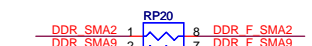
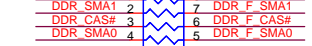
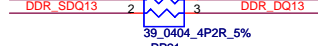
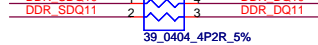
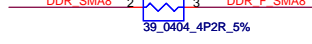
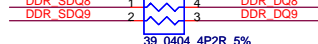
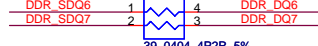
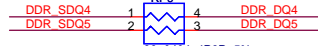
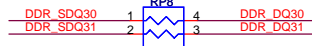
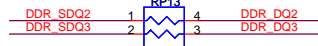
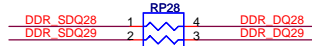
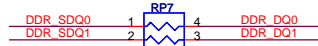
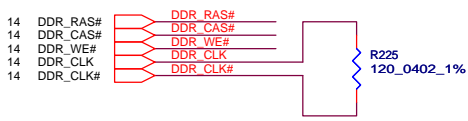
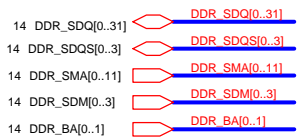
	2MB	4MB	4-8MB	8-16MB
R127 @	10K	10K	10K	10K
R77	10K	10K	10K	0
R170	0	0	0	@
R169	@	@	@	0
R168	@	@	@	0
R200	@	@	0	@



Security Classification		Compal Secret Data		Title	
Issued Date	2005/05/01	Deciphered Date	2006/05/01	BCM4781-USB,SPI,RTC	
THIS SHEET OF ENGINEERING DRAWING IS THE PROPRIETARY PROPERTY OF COMPAL ELECTRONICS, INC. AND CONTAINS CONFIDENTIAL AND TRADE SECRET INFORMATION. THIS SHEET MAY NOT BE TRANSFERRED FROM THE CUSTODY OF THE COMPETENT DIVISION OF R&D DEPARTMENT EXCEPT AS AUTHORIZED BY COMPAL ELECTRONICS, INC. NEITHER THIS SHEET NOR THE INFORMATION IT CONTAINS MAY BE USED BY OR DISCLOSED TO ANY THIRD PARTY WITHOUT PRIOR WRITTEN CONSENT OF COMPAL ELECTRONICS, INC.				Size	Document Number
				LA-2961P	
Date:	Thursday, May 18, 2006	Sheet	15	of	28

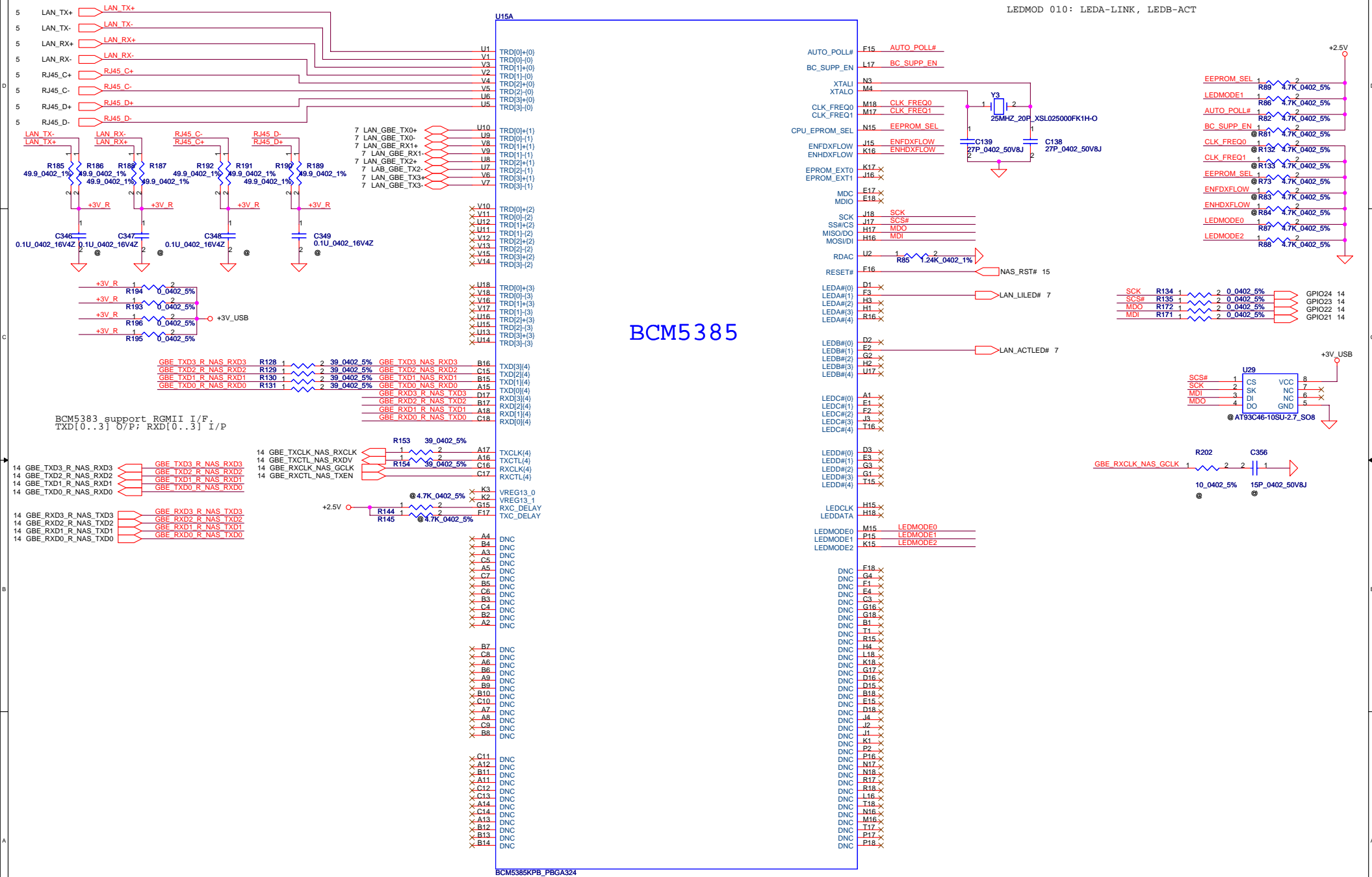


Security Classification		Compal Secret Data		Title	
Issued Date	2005/05/01	Deciphered Date	2006/05/01	BCM4781-PWR,GND	
THIS SHEET OF ENGINEERING DRAWING IS THE PROPRIETARY PROPERTY OF COMPAL ELECTRONICS, INC. AND CONTAINS CONFIDENTIAL AND TRADE SECRET INFORMATION. THIS SHEET MAY NOT BE TRANSFERRED FROM THE CUSTODY OF THE COMPETENT DIVISION OF R&D DEPARTMENT EXCEPT AS AUTHORIZED BY COMPAL ELECTRONICS, INC. NEITHER THIS SHEET NOR THE INFORMATION IT CONTAINS MAY BE USED BY OR DISCLOSED TO ANY THIRD PARTY WITHOUT PRIOR WRITTEN CONSENT OF COMPAL ELECTRONICS, INC.					
Size	Document Number	Date		Sheet	Rev
	LA-2961P	Thursday, May 18, 2006		16	1B

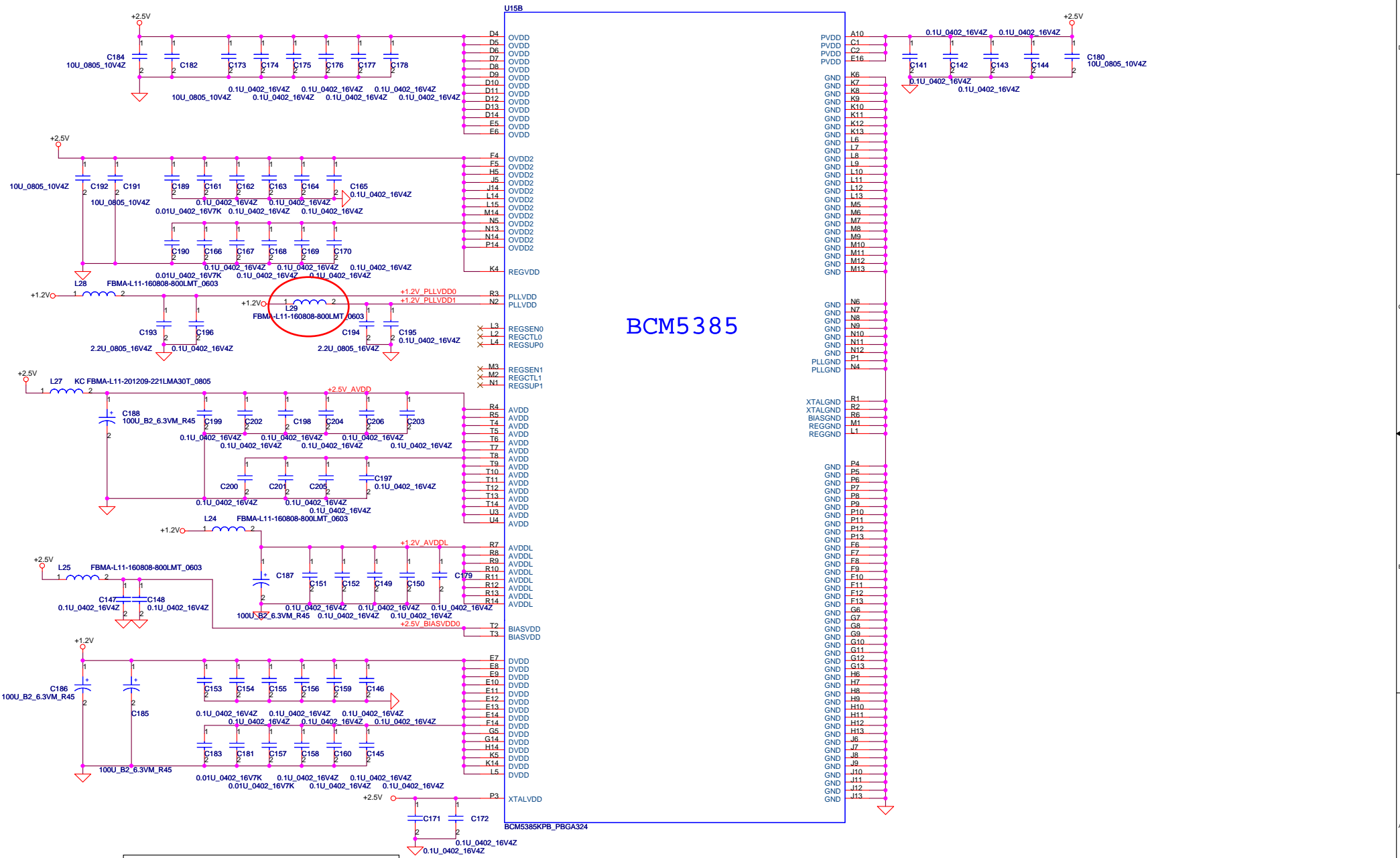


Security Classification		Compal Secret Data		Title	
Issued Date	2005/05/01	Deciphered Date	2006/05/01	DDRI	
THIS SHEET OF ENGINEERING DRAWING IS THE PROPRIETARY PROPERTY OF COMPAL ELECTRONICS, INC. AND CONTAINS CONFIDENTIAL AND TRADE SECRET INFORMATION. THIS SHEET MAY NOT BE TRANSFERRED FROM THE CUSTODY OF THE COMPETENT DIVISION OF R&D DEPARTMENT EXCEPT AS AUTHORIZED BY COMPAL ELECTRONICS, INC. NEITHER THIS SHEET NOR THE INFORMATION IT CONTAINS MAY BE USED BY OR DISCLOSED TO ANY THIRD PARTY WITHOUT PRIOR WRITTEN CONSENT OF COMPAL ELECTRONICS, INC.					
Size	Document Number	Rev		1B	
Date:	Thursday, May 18, 2006	Sheet	17	of	28

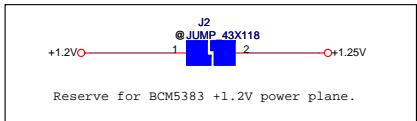
CLK_FREQ: 00->normal operation at 100MHz.
 LEDMOD 010: LEDA-LINK, LEDB-ACT



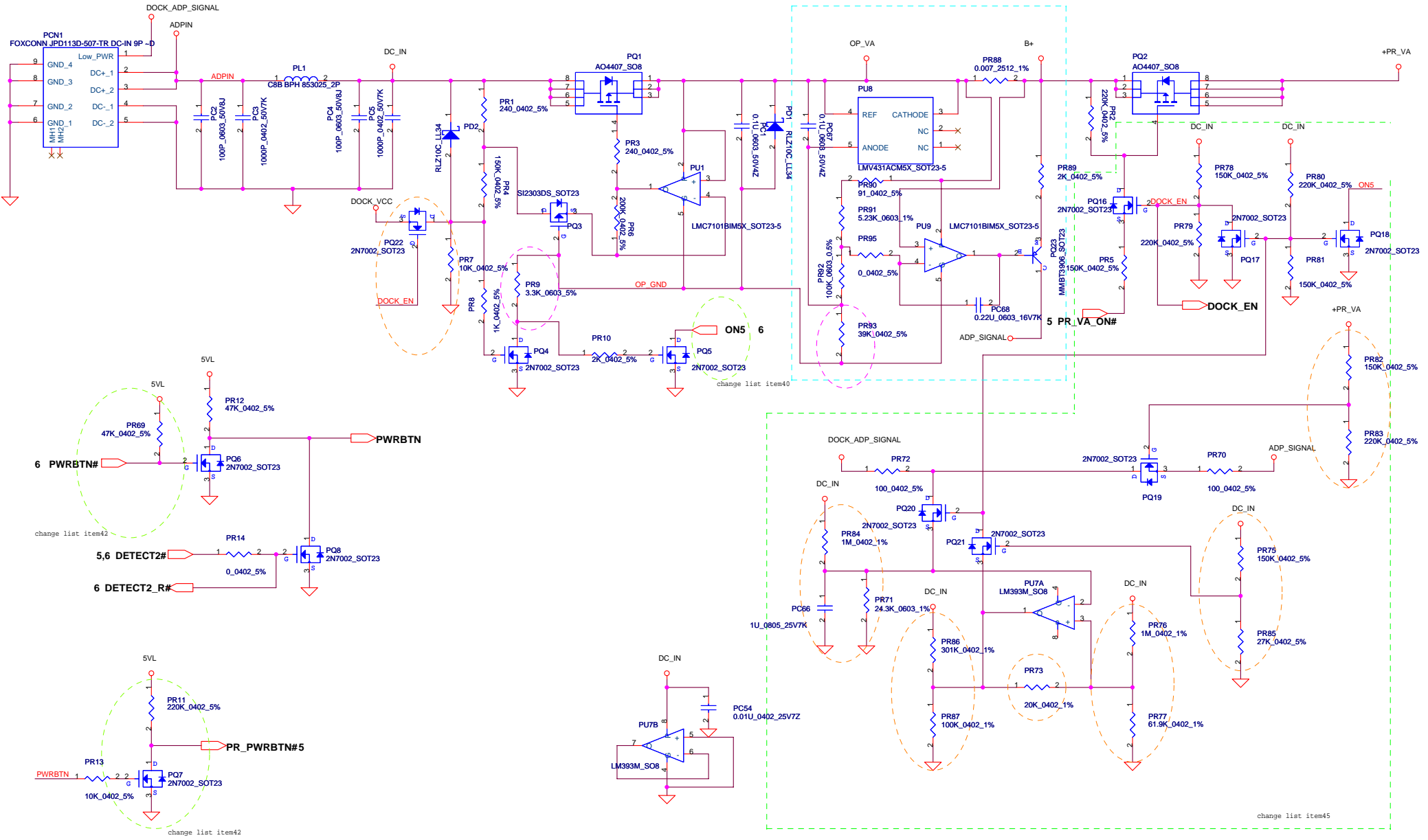
Security Classification		Compal Secret Data		Title	
Issued Date	2005/05/01	Deciphered Date	2006/05/01	BCM5383-PHY,MAC,EEPROM	
THIS SHEET OF ENGINEERING DRAWING IS THE PROPRIETARY PROPERTY OF COMPAL ELECTRONICS, INC. AND CONTAINS CONFIDENTIAL AND TRADE SECRET INFORMATION. THIS SHEET MAY NOT BE TRANSFERRED FROM THE CUSTODY OF THE COMPETENT DIVISION OF R&D DEPARTMENT EXCEPT AS AUTHORIZED BY COMPAL ELECTRONICS, INC. NEITHER THIS SHEET NOR THE INFORMATION IT CONTAINS MAY BE USED BY OR DISCLOSED TO ANY THIRD PARTY WITHOUT PRIOR WRITTEN CONSENT OF COMPAL ELECTRONICS, INC.				Document Number	Rev 1B
				LA-2961P	
Date:	Thursday, May 18, 2006	Sheet	18	of	28



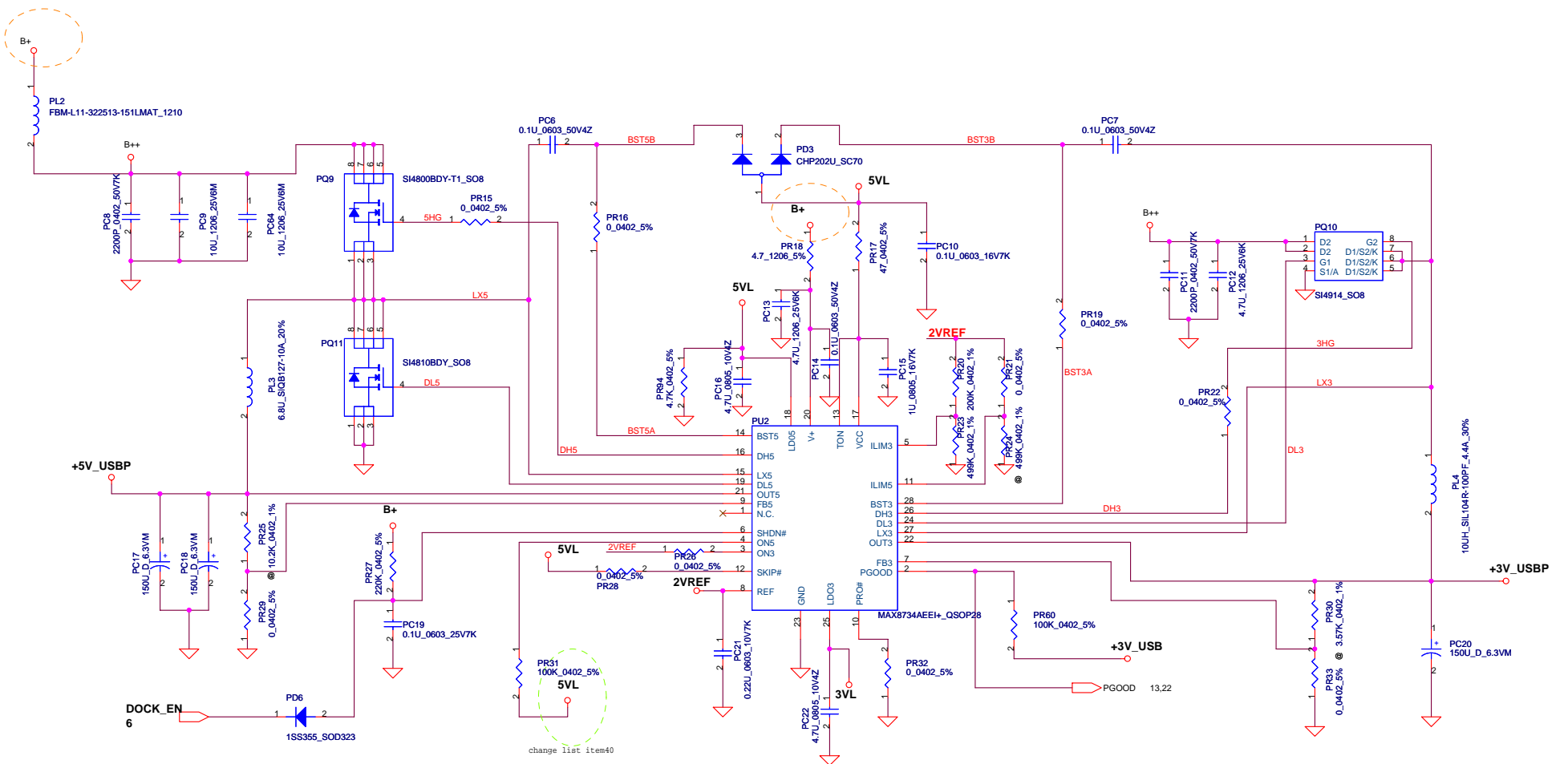
BCM5385



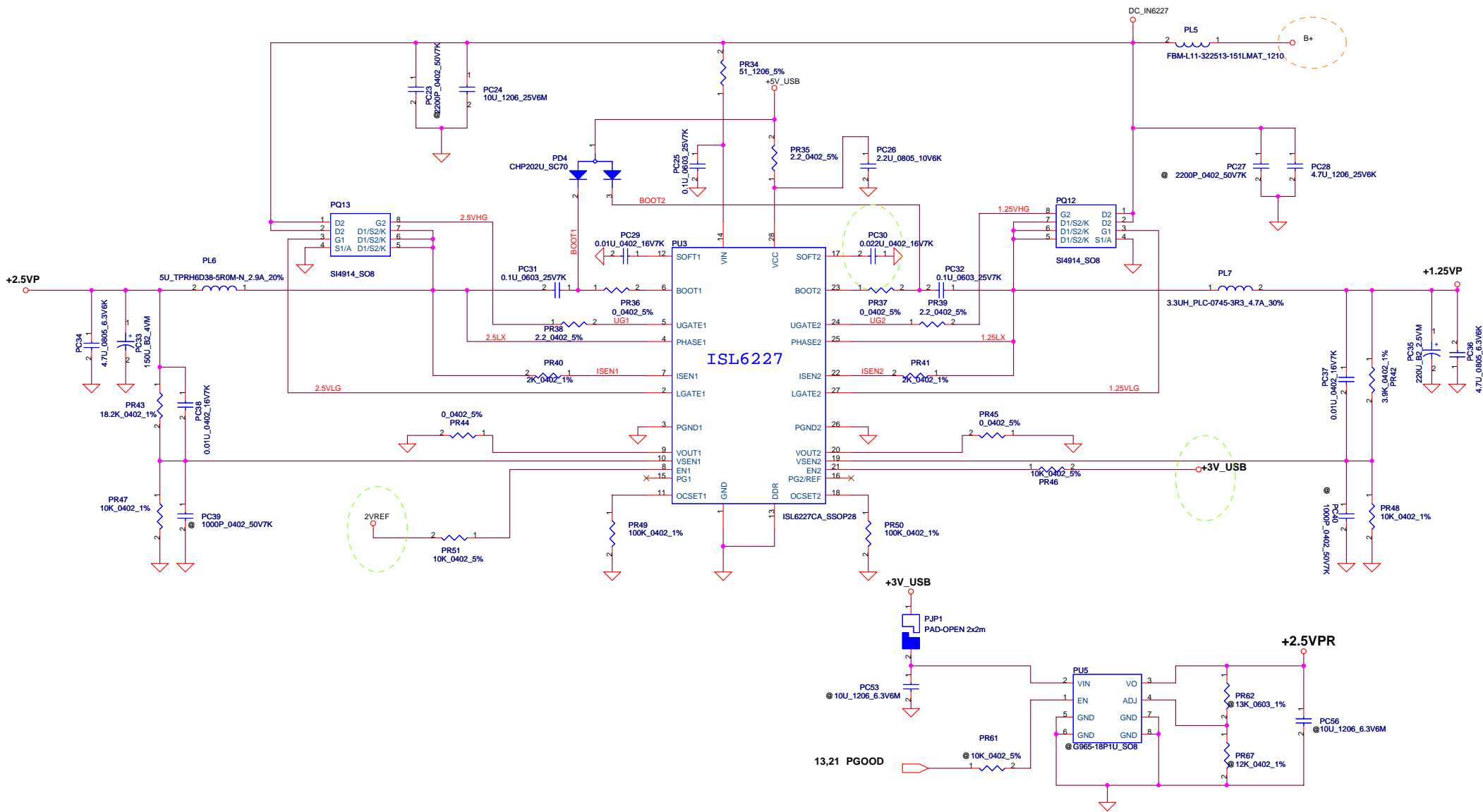
Security Classification		Compal Secret Data		Title	
Issued Date	2005/05/01	Deciphered Date	2006/05/01	BCM5383-PWR,GND	
THIS SHEET OF ENGINEERING DRAWING IS THE PROPRIETARY PROPERTY OF COMPAL ELECTRONICS, INC. AND CONTAINS CONFIDENTIAL AND TRADE SECRET INFORMATION. THIS SHEET MAY NOT BE TRANSFERRED FROM THE CUSTODY OF THE COMPETENT DIVISION OF R&D DEPARTMENT EXCEPT AS AUTHORIZED BY COMPAL ELECTRONICS, INC. NEITHER THIS SHEET NOR THE INFORMATION IT CONTAINS MAY BE USED BY OR DISCLOSED TO ANY THIRD PARTY WITHOUT PRIOR WRITTEN CONSENT OF COMPAL ELECTRONICS, INC.					
Date:	Thursday, May 18, 2006	Sheet	19	of	28



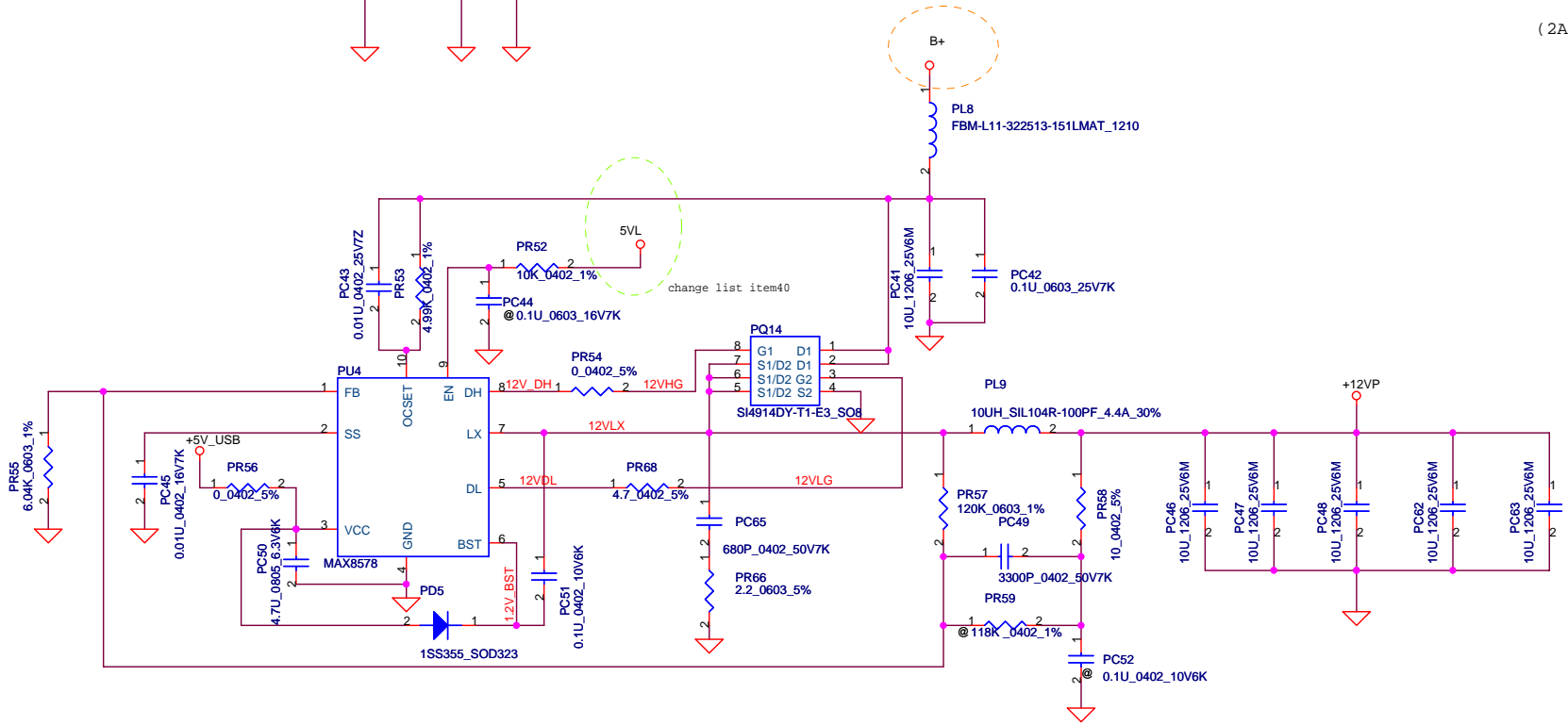
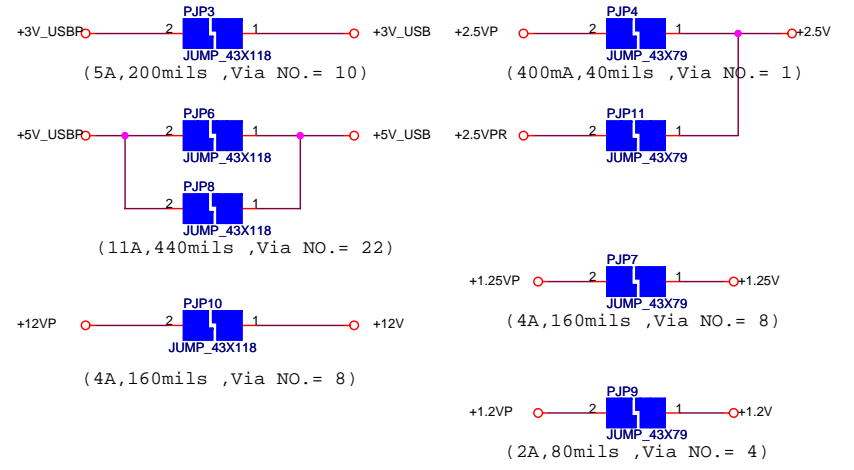
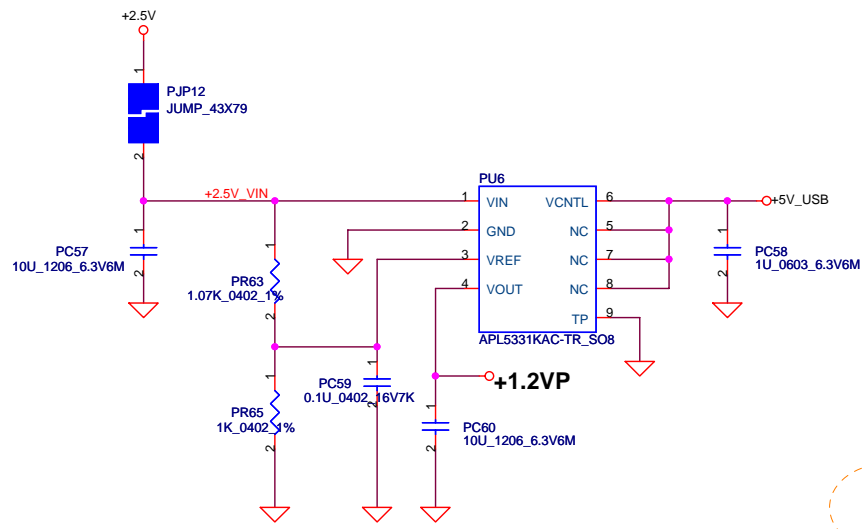
Security Classification		Compal Secret Data		Title	
Issued Date	2005/05/01	Deciphered Date	2006/05/01	Detector	
<small>THIS SHEET OF ENGINEERING DRAWING IS THE PROPRIETARY PROPERTY OF COMPAL ELECTRONICS, INC. AND CONTAINS CONFIDENTIAL AND TRADE SECRET INFORMATION. THIS SHEET MAY NOT BE TRANSFERRED FROM THE CUSTODY OF THE COMPETENT DIVISION OF R&D DEPARTMENT EXCEPT AS AUTHORIZED BY COMPAL ELECTRONICS, INC. NEITHER THIS SHEET NOR THE INFORMATION IT CONTAINS MAY BE USED BY OR DISCLOSED TO ANY THIRD PARTY WITHOUT PRIOR WRITTEN CONSENT OF COMPAL ELECTRONICS, INC.</small>				Document Number	Rev
				LA-2961P	1B
Date: Thursday, May 18, 2006				Sheet	20 of 28



Security Classification		Compal Secret Data		Title	
Issued Date	2005/03/01	Deciphered Date	2006/03/01	3.3V / 5V/2.5V	
THIS SHEET OF ENGINEERING DRAWING IS THE PROPRIETARY PROPERTY OF COMPAL ELECTRONICS, INC. AND CONTAINS CONFIDENTIAL AND TRADE SECRET INFORMATION. THIS SHEET MAY NOT BE TRANSFERRED FROM THE CUSTODY OF THE COMPETENT DIVISION OF R&D DEPARTMENT EXCEPT AS AUTHORIZED BY COMPAL ELECTRONICS, INC. NEITHER THIS SHEET NOR THE INFORMATION IT CONTAINS MAY BE USED BY OR DISCLOSED TO ANY THIRD PARTY WITHOUT PRIOR WRITTEN CONSENT OF COMPAL ELECTRONICS, INC.					
Document Number				Rev	
LA-2961P				1B	
Date: Thursday, May 18, 2006				Sheet 21 of 28	



Security Classification	Compal Secret Data		Title	1.2V / 1.25V/1.8V
Issued Date	2005/05/01	Deciphered Date	2006/05/01	Document Number
THIS SHEET OF ENGINEERING DRAWING IS THE PROPRIETARY PROPERTY OF COMPAL ELECTRONICS, INC. AND CONTAINS CONFIDENTIAL AND TRADE SECRET INFORMATION. THIS SHEET MAY NOT BE TRANSFERRED FROM THE CUSTODY OF THE COMPETENT DIVISION OF R&D DEPARTMENT EXCEPT AS AUTHORIZED BY COMPAL ELECTRONICS, INC. NEITHER THIS SHEET NOR THE INFORMATION IT CONTAINS MAY BE USED BY OR DISCLOSED TO ANY THIRD PARTY WITHOUT PRIOR WRITTEN CONSENT OF COMPAL ELECTRONICS, INC.				Rev
				1B
Date: Thursday, May 18, 2006				Sheet 22 of 28



Security Classification	Compal Secret Data			Title	12V/1.5V
Issued Date	2005/05/01	Deciphered Date	2006/05/01	Document Number	LA-2961P
THIS SHEET OF ENGINEERING DRAWING IS THE PROPRIETARY PROPERTY OF COMPAL ELECTRONICS, INC. AND CONTAINS CONFIDENTIAL AND TRADE SECRET INFORMATION. THIS SHEET MAY NOT BE TRANSFERRED FROM THE CUSTODY OF THE COMPETENT DIVISION OF R&D DEPARTMENT EXCEPT AS AUTHORIZED BY COMPAL ELECTRONICS, INC. NEITHER THIS SHEET NOR THE INFORMATION IT CONTAINS MAY BE USED BY OR DISCLOSED TO ANY THIRD PARTY WITHOUT PRIOR WRITTEN CONSENT OF COMPAL ELECTRONICS, INC.					Rev 1B
Date:	Thursday, May 18, 2006	Sheet	23	of	28

Item	Page#	Title	Date	Request Owner	Issue Description	Solution Description	Rev.
1	5	-Detect	May. 30th	Compal	-Enable Legacy I/O power -Correct pwr signal name -Support NAS function when system doesn't plug in Docking.	-Add R72 to enable the LDO. -Change pwr signal from DOCK_VDD to DOCK_VCC -Add R134 & R135.	0.1
2	6	-gLAN, Audio	May. 30th	Compal	-Follow Mini-spec v1.0	-Delet all 1394 circuit.	0.1
3	8 9	-S Video, Comp-TV, PS/2 -Serial,CRT,Parallel	Jun. 1st	Compal	-To match the symbol assiagment	-Swap the circuit of PS/2 and CRT	0.1
4	11	-USB Port*8	Jun. 1st	Compal	-Correct JP13 USB Power -For EMI test	-Change +5V_USB_PORT3 to +5V_USB_PWRGN -Reserve Common Choqe for EMI test	0.1
5	10	-USB HUB*2	Jun. 2nd	HP	-Correct the power source name for U6. -Add pull-low resistor.	-Change +3V_USB_A to +3V_USB_B for U6. -Add R71, 100k, for Reset signal of U6.	0.1
6	9	-Serial,CRT,Parallel	Jun. 2nd	HP	-chnage CRT circuit.	-Change R26 & R27 to 0-ohm and depop C21& C22.	0.1
7	5	-Detector,FAN	Jun. 2nd	HP	-Correct Detect circuit Power	-Change +5V_PR to 5VL.	0.1
8	12	-Express card	Jun. 2nd	HP	-Correct Express card signal	-Swap USB_P9+ and USB_P9-. -Depop R64, R65 & R68.	0.1
9	5	-Detector, FAN	Jun. 3rd	Compal	-For thermal solution	-Add FAN control circuit.	0.1
10	14	-BCM4781-USB,SPI,RTC	Jun. 6th	Compal	-For UART Debug -Add GPIO for BCM4781 -For USB_RREF signal	-Reserve R165 & R166 to correct the signal. -Add EPROM_WP to control the EERPOM and FAN_IN signal for FAN. -Change C213 from 180PF to 15PF.	0.1
11	6	-gLAN, Audio	Jun. 6th	Compal	-Stable LAN Function	-Add Transformer for RJ-45	0.1
12	17	-BCM5383KPB-PHY,MAC,EEPROM	Jun. 6th	Compal	-Increase the MDC driving -EEPROM is no existence.	-Connect RGMII_MDC to +2.5V through 4.7K. -Delete R74 & R75	0.1
13	12	-Express card	Jun. 7th	Compal	-Correct Express Card power source for AUX.	-Change the +3V_CARD_AUX TO +V3AUX_EXP.	0.1
14	10	-USB HUB*2	Jun. 8th	Compal	-Correct U6'S PIN17/18 NET NAME	-change the net name from USBP0+_R & USBP0-_R to USBP1+_R & USBP1-_R.	0.1
15	9	-Serial,CRT,Parallel	Jun. 9th	HP Compal	-Correct the DAC EMI Capacitors	-Change the C13-C18 Value from 100PF to 10PF. -Change the C19 & C20 from 100PF to 33PF to meet Napa platform.	0.1
16	8	-S Video, Comp-TV, PS/2	Jun. 10th	Compal	-Correct PS2 pin definition.	-To match SUYIN connector layout assignment.	0.1
17	5	-Detector, FAN	Jun. 10th	Compal	-Axial Fan spec update	-Change the FAN power source from +5V_USB to +12V.	0.1
18	12	-Express card	Jun. 14th	Compal	-To follow Express Card standard spec 1.0	-Change R64 & R65 from 4.7k to 100k.	0.1
19	9	-Serial,CRT,Parallel	Jun. 14th	Compal	-Correct Serial port net name	-Change it from RS232_R_CTS to RS232_R_CTS#.	0.1
20	18	-BCM5383KPB-PWR,GND	Jun. 14th	Compal	-Reserve for BCM5383 test	-Add J2 for test	0.1
21	14	-BCM4781-USB,SPI,RTC	Jun. 15th	Compal	-Reserve Resistors for BIOS upgrade	-Add R168, R169 and R170.	0.1
22	13	-BCM4781-LPC,SATA,DDR,/xMII	Jun. 17th	Broadcom	-DDR Clock	-Move the Damping Resistor, RP26, from DDR side to U18 side.	0.1
23	17	-BCM5383KPB-PHY,MAC,EEPROM	Jun. 17th	Broadcom	-gLAN LED Status -EEPROM	-Swap LED active and link status connection. -Add U29 for BCM5383 programing and deleted MDIO/MDC connection	0.1
24	10	-USB HUB*2	Jun. 20th	Broadcom	-Correct circuit	-Change the Logic gate to SN74LVC1G17DBVR_SOT23-5	0.1
25	13	-BCM4781-LPC,SATA,DDR,/xMII	Jun. 20th	Broadcom	-Prevent signals floationg.	-Add Pull-up resistor for PCI signals. -Add pull-low resistor for UATA_INTRQ	0.1
26	13 17	-BCM4781-LPC,SATA,DDR,/xMII -BCM5383KPB-PHY,MAC,EEPROM	Jun. 20th	Broadcom	-Correct xMII I/F connection	-Swap RX and TX connection between BCM4781 and BCM5383	0.1
27	13 17	-BCM4781-LPC,SATA,DDR,/xMII -BCM5383KPB-PHY,MAC,EEPROM	Jun. 23th	Broadcom	-For programing BCM5383	-Add R134, R135, R171, and R172	0.1
28	13	-BCM4781-LPC,SATA,DDR,/xMII	Jun. 24th	Broadcom	-To prevent weak internal PD.	-Add R173 to GND	0.1

Security Classification		Compal Secret Data		Title	
Issued Date	2005/05/01	Deciphered Date	2006/05/01	EE PIR-I	
THIS SHEET OF ENGINEERING DRAWING IS THE PROPRIETARY PROPERTY OF COMPAL ELECTRONICS, INC. AND CONTAINS CONFIDENTIAL AND TRADE SECRET INFORMATION. THIS SHEET MAY NOT BE TRANSFERRED FROM THE CUSTODY OF THE COMPETENT DIVISION OF R&D DEPARTMENT EXCEPT AS AUTHORIZED BY COMPAL ELECTRONICS, INC. NEITHER THIS SHEET NOR THE INFORMATION IT CONTAINS MAY BE USED BY OR DISCLOSED TO ANY THIRD PARTY WITHOUT PRIOR WRITTEN CONSENT OF COMPAL ELECTRONICS, INC.				Document Number	Rev
				LA-2961P	1B
Date: Thursday, May 18, 2006				Sheet	24 of 28

Item	Page#	Title	Date	Request Owner	Issue Description	Solution Description	Rev.
29	5	-Detector, FAN	Jun. 28th	HP	-Add power switch	-Add Power switch control circuit.	0.1
30	13	-Express card	Jun 30th	Compal	-Add second source New-Card, Dual-lay.	-Add JP28 for Fox new-card	0.1
31		-Based on change list 0630	July 1st				0.1
32	15	-BCM4781-USB,SPI,RTC	July 5th	Compal	-Correct SPI circuit	-Connection U20.15 and U18.AF23.	0.1
33	6	-Detector, FAN	July 28th	Compal	-Correct the Detect function.	-Change the R1 and R2 from 5VL to +5VS.	0.2
34	7	-gLAN, Audio	July 28th	Compal	-Improve the design marge	-Change R176 from 47K to 10K and add R140 with 47K.	0.2
35	11	-USB HUB*2	July 28th	Compal	-Correct the USB HUB Function	-Depopulate the R50.	0.2
36	15	-BCM4781-USB,SPI,TRC	July 29th	HP	-The slow RC reset can cause issues on the reset circuit and is not reliable.	-Add Schmitt-trigger buffer U30 on NAS_RST#.	0.2
37	16	-BCM4781-PWR,GND	July 29th	HP	-For stable VDDSAATA_LP2 rail.	-Add ferrite filter to VDDSAATA_LP2 rail.	0.2
38	5	-Dockng I/F	July 29th	HP	-Add SM_ADPTR function.	-Change JP1A-29 from DGND to SM_ADPTR.	0.2
39	5,7	-Dockng I/F; gLAN,Audio	July 29th	HP	-Add Line_In_Sense function.	-Add LINE_IN_SENSE detect circuit.	0.2
40	12	-USB Port*8	July 29th	Compal	-Cost down for USB current limit circuit.	-Change USB current limit circuit.	0.2
41	8	-DVI	Aug 1st	Compal	-MMS24678 is not popular.	-Replace MMS24678 by MMG25226.	0.2
42	18,19	-BCM5385KPB	Aug 2nd	HP	-Change GigaLAN switch to BCM5385.	-Change GigaLAN switch to BCM5385.	0.2
43	12	-USB Port*8	Aug 4th	Compal	-Change USB jack material.	-Replace JP18 by JP29 and JP30.	0.2
44	15	-BCM4781-USB,SPI,TRC	Aug 10th	Compal	-Change reset timing for BCM4781	-Add TCM809 IC to replace original buffer.	0.2
45	9	-s_Video,Comp-TV,PS/2	Aug 10th	Compal	-PS/2 port do not match ID.	-Switch PS/2 port.	0.2
45	7	-gLAN, Audio	Aug 10th	Compal	-Audio port do not match ID.	-Switch Audio port.	0.2
46	6	-Detector, FAN	Aug 10th	Compal	-Solve the DOCK_LED always light issue	-change the Q5.3 power source from 5VL to +5VS	0.2
47	15	-BCM4781-USB,SPI,TRC	Aug 10th	Broadcom	-Modify PFlash circuit to support -R4 and -R6.	-Add R?	0.2
48	15	-BCM4781-USB,SPI,TRC	Aug 11th	Broadcom	-Need a JTAG debug port.	-Add JTAG debug port.	0.2
49	12	-USB Port*8	Aug 11th	Compal	-Change USB connector.	-Change USB connector.	0.2
50	12	-USB Port*8	Aug 16th	Compal	-Not enough power for cradle.	-Switch USB power source on JP13.	0.2
51	14,18	-BCM4781-xMII/BCM5383-PHY	Aug 16th	Compal	-Reserve AC termination for EMI.	-Reserve AC termination in ending side of the GBE_TXCLK_NAS_RXCLK,GBE_RXCLK_NAS_GCLK	0.2
52	7	-gLAN, Audio	Aug 16th	Compal	-Improper audio ferrite.	-Change audio ferrite L1-L4.	0.2
53	8	-DVI	Aug 18th	Compal	-May require common choke for EMI.	-Reserve EMI common choke.	0.2
54	12	-USB Port*8	Aug 19th	Broadcom	-The OC# pins from U22 and U23 are open drain outputs and should have pull ups.	-Add pullup resistors. Remove R99 and R100.	0.2
55	14	-BCM4781-LPC,SATA,DDR,xMII	Aug 19th	Broadcom	-CLKRUN# should be connected to one of the open pins on the pull up RPACK.	-Connect CLKRUN# to RP34 pin 10.	0.2
56	18	-BCM5385KPB	Aug 19th	Broadcom	-R134, R135, R171, R172 should be installed.	-Install R134, R135, R171, R172.	0.2
57	18	-BCM5385KPB	Sep 20th	Compal	-EEPROM_SEL configuration should be correct.	-Install R89. Not install R73.	0.3
58	13	-Express card	Sep 20th	Compal	-Too long lead time for the LDO for Express card 1.5V.	-Change LDO for Express card 1.5V.	0.3
59	7	-gLAN, Audio	Sep 21th	Compal	-Audio port do not match ID.	-Switch Audio port.	0.3
60	13	-Express card	Sep 21th	Compal	-JAE Exp card socket will not be implemented.	-Remove JP28.	0.3
61	12	-USB Port*8	Sep 21th	Compal	-+5V_USB_PORT leakage.	-Add a path for leakage.	0.3
62	15	-BCM4781-USB,SPI,TRC	Sep 23th	Compal	-DS1337C+ has a internal crystal that will decrease risk on survey a crystal.	-Reserve DS1337C+ footprint.	0.3
63	11	-USB HUB*2	Sep 23th	Compal	-CYPRESS CY7C65640A-LFXC power enable timing issue.	-Pullup to +5V_SW to enable USB power. -Use RC delay circuits for CY7C65640A-LFXC reset.	0.3

Security Classification		Compal Secret Data		Title	
Issued Date	2005/05/01	Deciphered Date	2006/05/01	EE PIR-II	
THIS SHEET OF ENGINEERING DRAWING IS THE PROPRIETARY PROPERTY OF COMPAL ELECTRONICS, INC. AND CONTAINS CONFIDENTIAL AND TRADE SECRET INFORMATION. THIS SHEET MAY NOT BE TRANSFERRED FROM THE CUSTODY OF THE COMPETENT DIVISION OF R&D DEPARTMENT EXCEPT AS AUTHORIZED BY COMPAL ELECTRONICS, INC. NEITHER THIS SHEET NOR THE INFORMATION IT CONTAINS MAY BE USED BY OR DISCLOSED TO ANY THIRD PARTY WITHOUT PRIOR WRITTEN CONSENT OF COMPAL ELECTRONICS, INC.				Document Number	Rev
				LA-2961P	1B
Date: Thursday, May 18, 2006				Sheet	25 of 28

Item	Page#	Title	Date	Request Owner	Issue Description	Solution Description	Rev.
64	12	-USB Port*8	Oct. 17th	HP	-Change NAS USB port power spec from 1A to 2A.	-Change NAS USB power switch to G540A2PIU	0.4
65	14	-BCM4781-LPC, SATA, DDR, xMII	Oct. 18th	Broadcom	-Not enough strong internal pulldown resistor.	-Add pulldown resistor R218.	0.4
66	14	-BCM4781-LPC, SATA, DDR, xMII	Oct. 19th	Compal	-No issue found, just for common part	-Change RP30 & RP34, 10P8R, to RP37-RP40, 8P4R.	0.4
67	6	-Detectot,FAN	Oct. 19th	Compal	-AC LED no function at back side.	-Add R58 and D26 for AC_LED	0.4
68	6	-Detectot,FAN	Oct. 20th	Compal	-Docking LED status error	-Correct the Q5 power source to 5VL	0.4
69	6	-Detectot,FAN	Nov. 3rd	Compal	-Solve the thermister limitation problem	-Reserve U32, PJP2 and R71 for test	0.4
70	6	-Detectot,FAN	Nov. 8th	Compal	-Fan noise. Change to 5V tolerant fan.	-Replace +12V fan power to +5V_USB but reserve jumper for option.	0.4
71	14	-BCM4781-LPC, SATA, DDR, xMII	Nov. 8th	Broadcom	-Add signal for temperature event.	-Tied U18.D11 to U32.3, and add a pullup resitor.	0.4
72	6	-Detectot,FAN	Nov. 24th	Compal	-The signal PCI_IDSEL should be pulled low when the external PCI bus is not used.	-RP37 pin 3 tied to GND instead of +3V_USB.	0.4
73	12	-USB Port*8	Nov. 24th	Compal	-For smart adaptor use.	-Change from DC_IN to +PR_VA(R176-1,PL2-1,PR18-1,PR27-1,PL5-1,PL8-1).	0.4
74	17	-DDRI	Nov. 24th	Compal	-For power USB port safety requirement.	-Change F1 from 7A_24VDC_429007 to 5A_24VDC_0466005.NR.	0.4
75	7	-gLAN,Audio	Nov. 30th	Compal	-For EMI requirement at DDR signals.	-Change DDR data, address and command signals damping resisters to 33 ohms.	0.4
76	8	-Detectot,FAN	Nov. 30th	Compal	-IEEE lan return loss over spec.	-Change material to NS682403P.	0.4
77	15	-BCM4781-USB, SPI, RTC	Dec. 5th	Compal	-For fixing the issue that multibay odd can be rejected with no system docked.	-Pullup DETECT2_R# to 5VL instead of +5VS.	0.4
78	15	-BCM4781-USB, SPI, RTC	Dec. 5th	Compal	-Crystal's characteristic did not match the spec DS1337S+ required.	-Change the crystal, Y6, to 32.768kHz with CL=6P.	0.4
79	15	-BCM4781-USB, SPI, RTC	Dec. 5th	Compal	-4M & 8M parallel flash will be implemented instead of serial flash part.	-Remove serial flash circuit.	0.4
80	18, 30, 31	-BCM5385KPB-PHY, MAC, EEPROM	Dec. 5th	Compal	-DS1337C+ can not meet our requirement for the RTC.	-Remove DS1337C+ circuit.	0.4
81	11	-USB HUB*2	Dec. 6th	Compal	-Reduce EMI from RGMII.	-R128-R131,R151,R153,R154,R94 from 33 to 39 ohms. Add R202 & C356.	0.4
82	15, 18	-BCM4781-USB, SPI, RTC -BCM5385KPB-PHY, MAC, EEPROM	Dec. 7th	Compal	-USB power surge message issue	-Remove R43 and R54. Enable OC# signal.	0.4
83	9	-S Video, Comp-TV, PS/2	Dec. 13th	Compal	-EMI problem at CLK_25.	-Remove CLK_25 and R107,R146.	0.4
84	5 & 12	-USB Power switch IC	Dec. 13th	Compal	-No ESD concern at P/S2 signals.	-Remove ESD diodes.	0.4
85	8	-DVI	Dec. 13th	Compal	-Solve the shut-down issue and save price.	-Change U1, U11 and U12 to ds46a1.	0.4
86	12	-USB Port*8	Dec. 19th	Compal	-DVI detect pin voltage did not meet the DVI spec.	-Del R3, Q22, R198, C352, C353, C354, R199 and R59.	0.4
87	6	-Detectot,FAN	Dec. 19th	Compal	-Follow Moseley design for power USB filter.	-Add R220, SPQ1312028Q	0.4
88	6	-Detectot,FAN	Dec. 20th	Compal	-the otemp# signal should be or'ed into the PWM signal to turn the fan on if the Mips locks up.	-Add Q22, Q23 for level shift.	0.4
89	11	-USB HUB*2	Dec. 23th	HP	-OTEMP need jumpers for option.	-Replace F1 by L51.	0.4
90	11	-USB HUB*2	Dec. 26th	HP	-Change USB hub reset timing for WHQL test.	-Add an OR gate U33 to control the fan directly at 100% duty cycle if the thermal event is triggered.	0.4
91	14	-BCM4781-LPC, SATA, DDR, xMII	Feb. 6th	Compal	-Change USB hub reset timing for WHQL test.	-Add jumpers for OTEMP signal.	0.4
92	17	-DDRI	Feb. 10th	Compal	-Change series resistor on DDR differential clock.	-Remove C359 and install C358.	0.5
93	15	-BCM4781-USB, SPI, RTC	Feb. 24th	Broadcom	-Change 48MHz crystal drive limiting resistor.	-Change R217 from 100k to 47k ohms resistor.	0.5
94	16	-BCM4781-PWR, GND	Feb. 24th	Broadcom	-connect ball E19 directly to the VDD_SATA filtered 1.25V rail	-Install C359 with 1u_0402 capacitor and not install C358.	0.5
95	11	-USB HUB*2	Feb. 24th	Broadcom	-Add termination resistor to DDR differential clock.	-Change RP26 from 33 to 0 ohm.	0.5
96	16	-BCM4781-PWR, GND	Feb. 24th	Broadcom	-Add termination resistor to DDR differential clock.	-Add termination resistor R225.	0.5
97	11	-USB HUB*2	Feb. 24th	Broadcom	-Change 48MHz crystal drive limiting resistor.	-Change R106 to 100 ohms.	0.5
98	16	-BCM4781-PWR, GND	Feb. 24th	Broadcom	-connect ball E19 directly to the VDD_SATA filtered 1.25V rail	-Remove L50,C360,C361,C362. Short U18.E19 to VDDSAATA.	0.5
99	11	-USB HUB*2	Mar. 9th	Compal	-Add jumps for USB ports over current event.	-Add R43, R54. Default NI.	0.5
100	16	-BCM4781-PWR, GND	Mar. 17th	Compal	-Reserve SATA_PLLVDD power source.	-Reserve but NI L50,C360,C361,C362. Add jumper J3 for SATA_PLLVDD and VDDSAATA option.	0.5
101	11	-USB HUB*2	Mar. 24th	Compal	-Gang power mode is not supported on WinXP.	-Add R43 and R54 but NI. Disable OC# signal as Moseley.	0.5
102	16	-BCM4781-PWR, GND	Mar. 24th	Broadcom	-Concern on voltage drop for BCM4781 VDDSAATA_lp2 power plane.	-Change L45 from FBMA-L11-160808-800LMT_0603 to KC FBMA-L11-201209-221LMA30T_0805.	0.5

Security Classification		Compal Secret Data		Title	
Issued Date	2005/05/01	Deciphered Date	2006/05/01	EE PIR-II	
THIS SHEET OF ENGINEERING DRAWING IS THE PROPRIETARY PROPERTY OF COMPAL ELECTRONICS, INC. AND CONTAINS CONFIDENTIAL AND TRADE SECRET INFORMATION. THIS SHEET MAY NOT BE TRANSFERRED FROM THE CUSTODY OF THE COMPETENT DIVISION OF R&D DEPARTMENT EXCEPT AS AUTHORIZED BY COMPAL ELECTRONICS, INC. NEITHER THIS SHEET NOR THE INFORMATION IT CONTAINS MAY BE USED BY OR DISCLOSED TO ANY THIRD PARTY WITHOUT PRIOR WRITTEN CONSENT OF COMPAL ELECTRONICS, INC.					
				Document Number	Rev
				LA-2961P	1B
				Date:	Thursday, May 18, 2006
				Sheet	26 of 28

Item	Page#	Title	Date	Request Owner	Issue Description	Solution Description	Rev.
99	17	-DDR1	Mar. 24th	Broadcom	-Termination resistor for DDR differential clock should be tolerance +/-1%.	-Change termination resistor R225 to 120 ohms +/-1%, but NI.	0.5
100	16	-BCM4781-PWR,GND	Mar. 26th	Broadcom	-connect ball E19 directly to the VDD_SATA filtered 1.25V rail	-Remove L50, C360, C361, C362 and J3.	0.5
101	17	-DDR1	Mar. 26th	Compal	-EMI issue.	-Change DDR damping resistors R17, R13, R15, R11, R15, R19, R15, R21, R22, R17, R24, R27, R25, R10, R28, R8, R12, R14, R119, R18, R20, R23 and R26 to 39 ohms for EMI issue.	0.5
102	14	-BCM4781-LPC, SATA, DDR, xMII	Mar. 26th	Compal	-For improving DDR clock jitter.	-Install R225	0.5
103	12	-USB Power switch IC	Apr. 17th	Compal	-USB power switch U11,U12 OC design error. OC pin should be pulledup or floating.	-Short U11.5 to USB_OC1# and U12.5 to USB_OC#.	0.6
104	6	-Detector,FAN	Apr. 17th	Compal	-Power switch U1 OC design error. OC pin should be pulledup or floating.	-Leave U1.5 floating.	0.6
105	11	-USB HUB*2	Apr. 17th	Compal	-For USB hubs reset timing issue.	-Change C359 from 1uF to 0.1uF.	0.6
106	08	DVI	Apr. 28th	Compal	-Install termination resistor to improve DVI eye pattern	-Install R15 R16 R17 88.7 ohm 1% .	0.6
107	06	-Detector FAN	May. 10th	Compal	-EMI issue.	-add L52 L53	1A
108	14	-BCM4781-LPC, SATA, DDR, xMII	May. 10th	Compal	-EMI issue.	-add C360 C361	1A
109	11	-USB HUB*2	May. 15th	Compal	-For DFx issue.	-Modify H23, H24, H25, H26, H27, H28 pad size.	1A
110	17	-DDR1	May. 15th	Compal	-EMI issue.	-Change R120,R121,R123,R124,R74,R75,R101,R165 from 33 ohm to 39 ohm.	1A
111	14	-BCM4781-LPC, SATA, DDR, xMII	May. 16th	Compal	-EMI issue.	-add C362 C363 C364 C365	1A
112	06	-Detector FAN	May. 16th	Compal	-EMI issue.	-Install L53	1A
113	14	-BCM4781-LPC, SATA, DDR, xMII	May. 17th	Compal	-remove reserve C	-Del C362 C363 C364 C365	1B
114	06	-Detector FAN	May. 17th	Compal	-remove reserve L	-Del L52 L53	1B
115	15	-BCM4781-USB, SPI, RTC	May. 17th	Compal	-EMI issue. change crystal to oscillator	-Del Y4, R106, C211, C212, L30, C210, Y5, R111	1B
116	15	-BCM4781-USB, SPI, RTC	May. 17th	Compal	-EMI issue. change crystal to oscillator	-add Y8, Y7, R138, R125, R141, R126	1B
117	15	-BCM4781-USB, SPI, RTC	May. 17th	Broadcom	-EMI issue. change crystal to oscillator	-Remove R105.	1B
118	18	-BCM5385KPB-PHY, MAC, EEPROM	May. 18th	Compal	-GBE_RXCLK_NAS_GCLK slew rate over spec.	-Change R202 C356 state to NI.	1B
119	17	-DDR1	May. 18th	Compal	-Use OSC EMI solution.	-Change R120,R121,R123,R124,R74,R75,R101,R165 from 39 ohm to 33 ohm.	1B

Security Classification		Compal Secret Data		Title	
Issued Date	2005/05/01	Deciphered Date	2006/05/01	EE PIR-II	
THIS SHEET OF ENGINEERING DRAWING IS THE PROPRIETARY PROPERTY OF COMPAL ELECTRONICS, INC. AND CONTAINS CONFIDENTIAL AND TRADE SECRET INFORMATION. THIS SHEET MAY NOT BE TRANSFERRED FROM THE CUSTODY OF THE COMPETENT DIVISION OF R&D DEPARTMENT EXCEPT AS AUTHORIZED BY COMPAL ELECTRONICS, INC. NEITHER THIS SHEET NOR THE INFORMATION IT CONTAINS MAY BE USED BY OR DISCLOSED TO ANY THIRD PARTY WITHOUT PRIOR WRITTEN CONSENT OF COMPAL ELECTRONICS, INC.				Document Number	Rev
				LA-2961P	1B
Date:				Thursday, May 18, 2006	Sheet 27 of 28

Version Change List (P. I. R. List) for Power Circuit

Item	Page#	Title	Date	Request Owner	Issue Description	Solution Description	Rev.
1		DOCK_ID	07/29/2005 (DB)	HP T. Sawyers		Remove PR74 and PQ22. Leave dock conn. JP1A-118 DOCK_ID open.	DB2
2		Power sequencing	08/11/2005 (DB2)	Broadcom		To change the enable signal of +2.5V from +3V_USB to 2VREF, the enable signal of +1.25V from +2.5V to +3V_USB and to delay +1.25V rise time (To change PC30 form 0.01u to 0.022u).	DB2
3		DOCK_ID	10/26/2005 (PV)	HP		Add PR82, PR83 and PC66	SI2
4		Smart Adapter	11/15/2005 (PV)	HP		Add PQ22, PR84, PR85, PR86, PR87 Change PR82 to 150K, PR83 to 220K, PR75 to 150K, PR76 to 1M, PR73 to 20K, PR77 to 61.9K, PR71 to 24.3K, PC66 to 1U Change from DC_IN to +PR_VA (R176-1, PL2-1, PR18-1, PR27-1, PL5-1, PL8-1)	SI2
5		Add 180W Adapter	12/06/2005 (PV)	HP		Add PU8, PU9, PC67, PC68, PQ23, PR88, PR89, PR90, PR91, PR92	SI2
6		For 180W Adapter	12/22/2005 (PV)	HP		Add PR93 (39K) and change PR9 from 4.7K to 3.3K	SI2
7		K2 power sequence	03/07/2006 (PV)	HP		change the +PR_VA to B+ at PR88, PR27, PR18, PL2, PL5 and PL8 Add PD6 from DOCK_EN (cathode) to PU2-6 (anode) Add PR94 4.7K resistor from +5VL to GND change PR27 from 47K to 220K	PV

Security Classification		Compal Secret Data		Title	
Issued Date	2005/03/01	Deciphered Date	2006/03/01	PWR PIR Sheet (1)	
THIS SHEET OF ENGINEERING DRAWING IS THE PROPRIETARY PROPERTY OF COMPAL ELECTRONICS, INC. AND CONTAINS CONFIDENTIAL AND TRADE SECRET INFORMATION. THIS SHEET MAY NOT BE TRANSFERRED FROM THE CUSTODY OF THE COMPETENT DIVISION OF R&D DEPARTMENT EXCEPT AS AUTHORIZED BY COMPAL ELECTRONICS, INC. NEITHER THIS SHEET NOR THE INFORMATION IT CONTAINS MAY BE USED BY OR DISCLOSED TO ANY THIRD PARTY WITHOUT PRIOR WRITTEN CONSENT OF COMPAL ELECTRONICS, INC.				Document Number	Rev
				LA-2961P	1B
Date: Thursday, May 18, 2006				Sheet	28 of 28