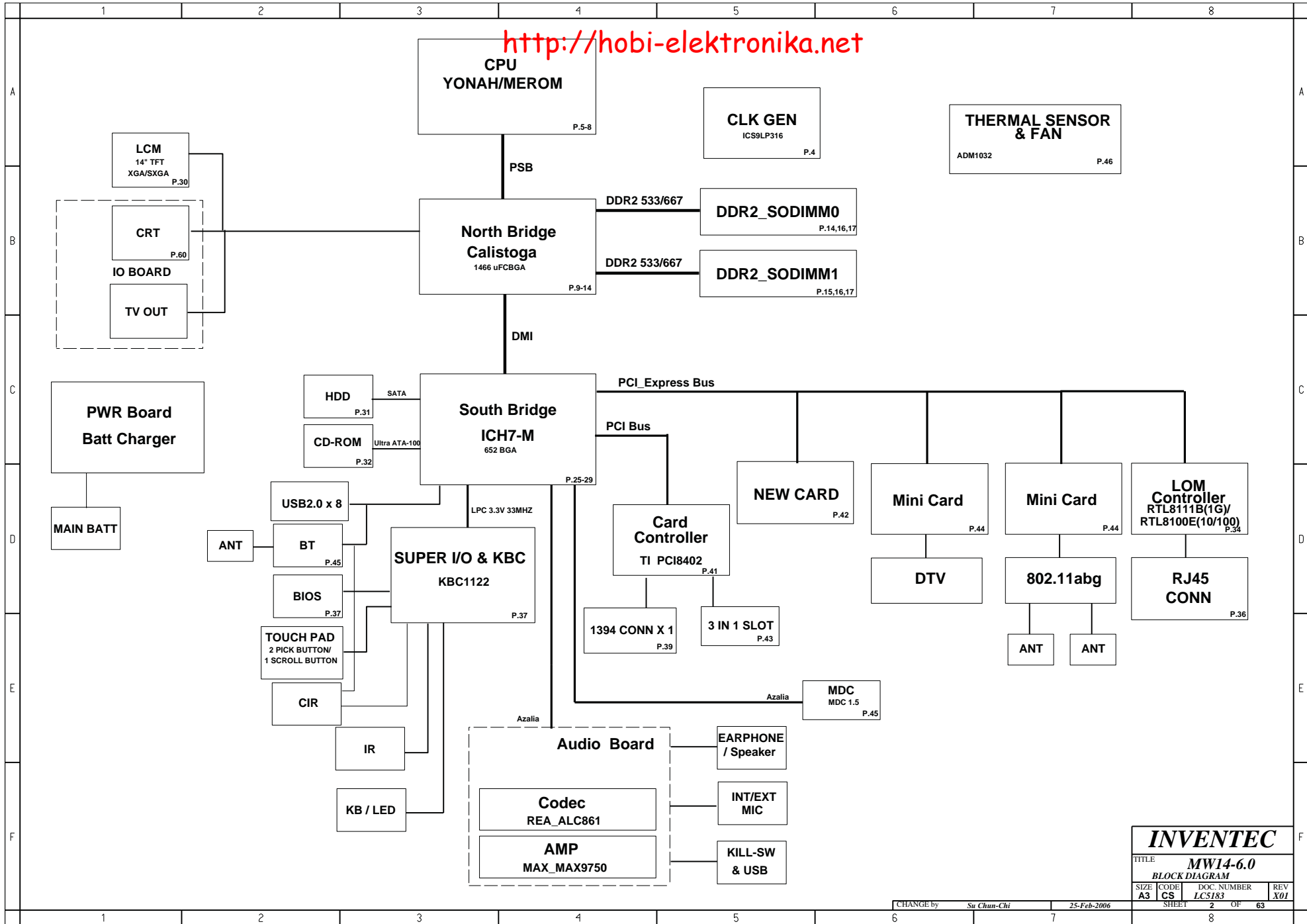
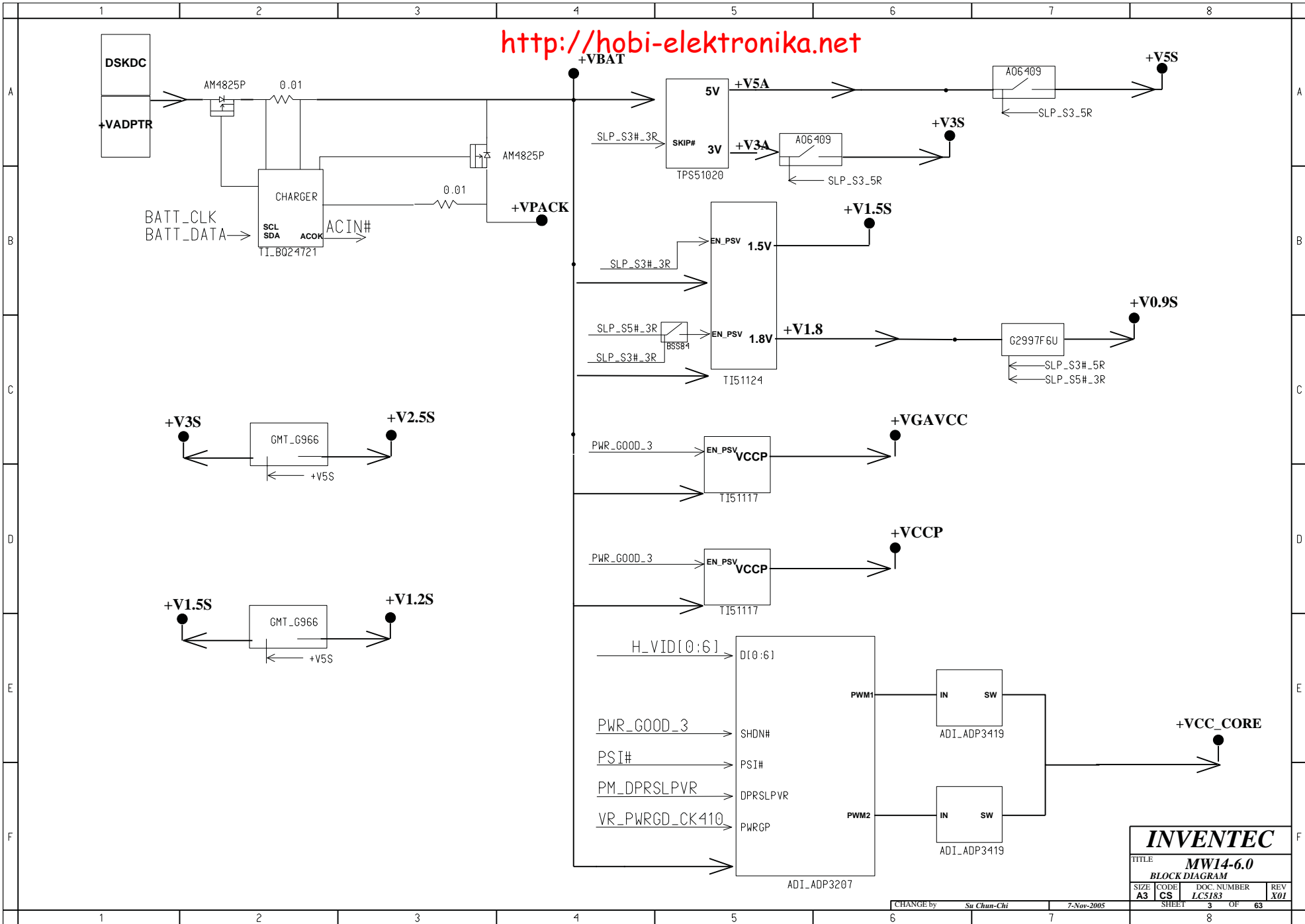


<http://hobi-elektronika.net>

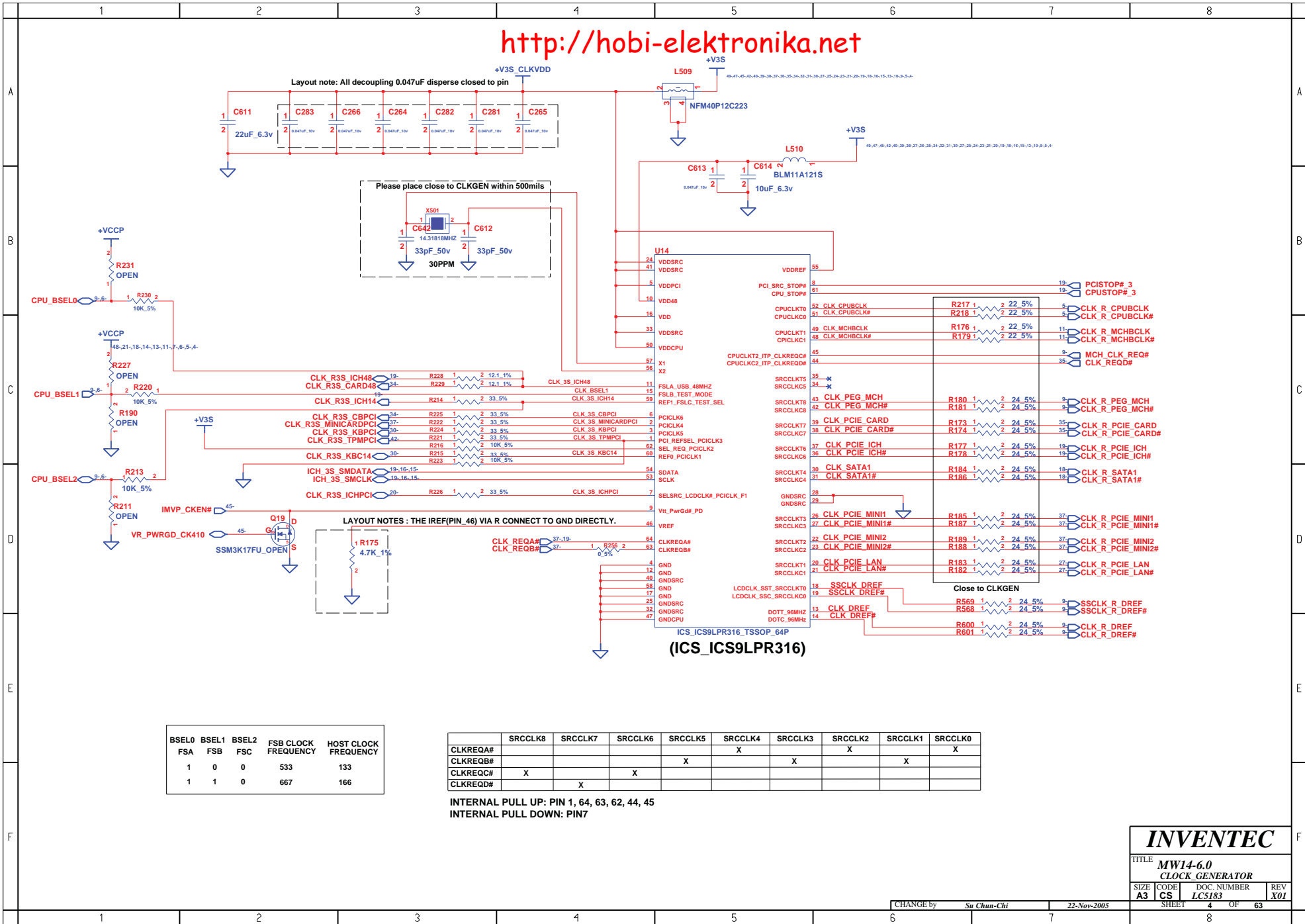


INVENTEC			
TITLE: MW14-6.0			
BLOCK DIAGRAM			
SIZE: A3	CODE: CS	DOC. NUMBER: LCS183	REV: X01
CHANGE by: Su Chun-Chi		25-Feb-2006	
SHEET 2		OF 63	

<http://hobi-elektronika.net>



INVENTEC			
TITLE MW14-6.0			
BLOCK DIAGRAM			
SIZE A3	CODE CS	DOC. NUMBER LC5183	REV X01
CHANGE by <i>Su Chun-Chi</i>		7-Nov-2005	
SHEET 3		OF 63	



BSEL0	BSEL1	BSEL2	FSB CLOCK FREQUENCY	HOST CLOCK FREQUENCY
FSA	FSB	FSC		
1	0	0	533	133
1	1	0	667	166

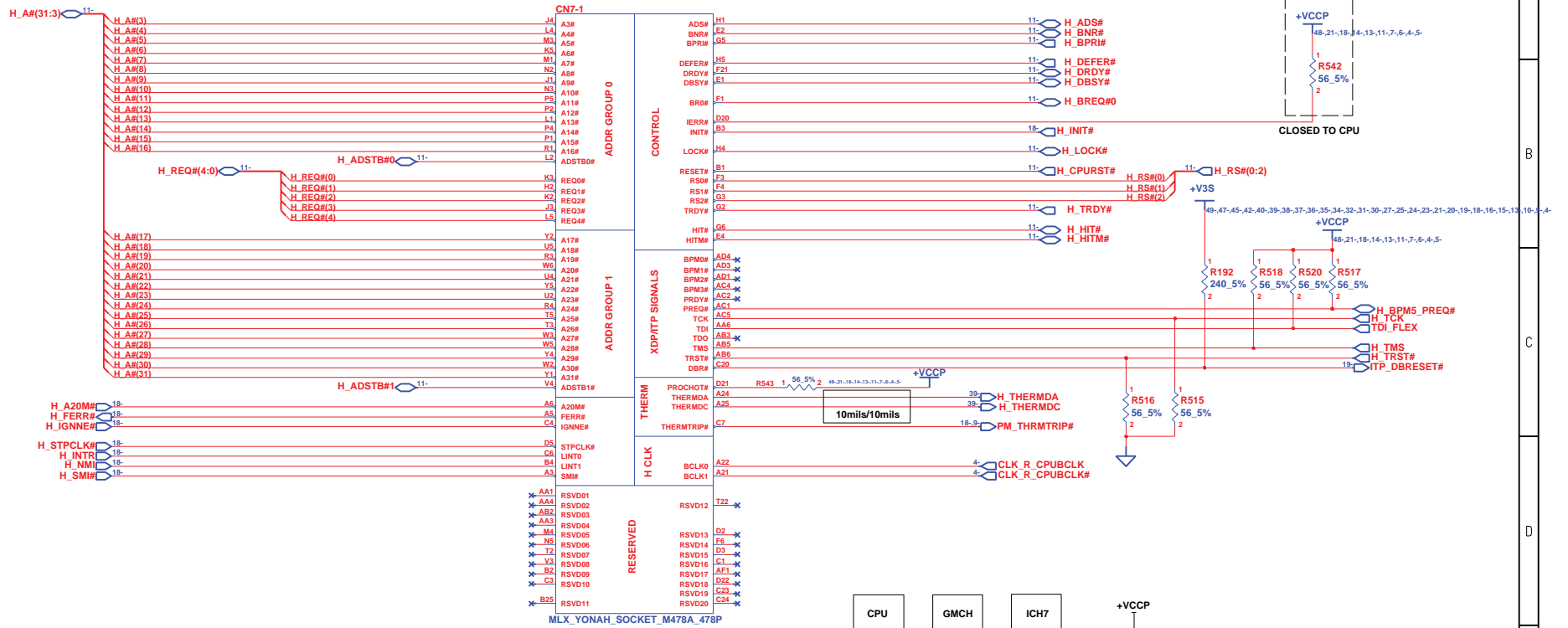
	SRCCLK8	SRCCLK7	SRCCLK6	SRCCLK5	SRCCLK4	SRCCLK3	SRCCLK2	SRCCLK1	SRCCLK0
CLKREQA#				X	X	X	X	X	X
CLKREQB#				X	X	X	X	X	X
CLKREQC#	X		X						
CLKREQD#		X							

INVENTEC

TITLE: **MW14-6.0**
CLOCK GENERATOR

SIZE A3	CODE CS	DOC. NUMBER LC5183	REV X01
----------------	----------------	---------------------------	----------------

CHANGE by *Su Chun-Chi* 22-Nov-2005 SHEET 4 OF 63



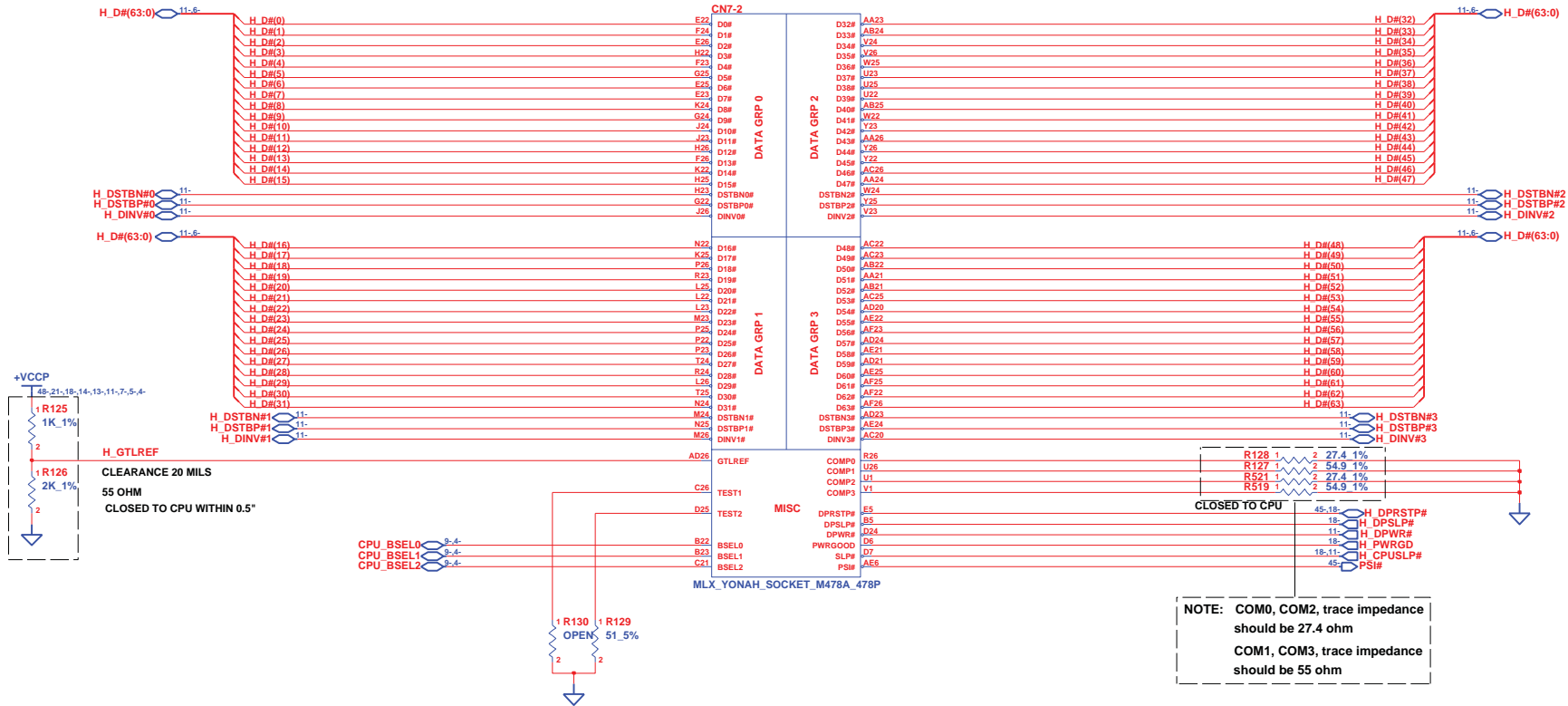
CPU GMCH ICH7 +VCCP

PM_THRMTRIP# should be without T at CPU

INVENTEC

TITLE			
MW14-6.0			
YONAH -1			
SIZE	CODE	DOC. NUMBER	REV
A3	CS	LC5183	X01

<http://hobi-elektronika.net>



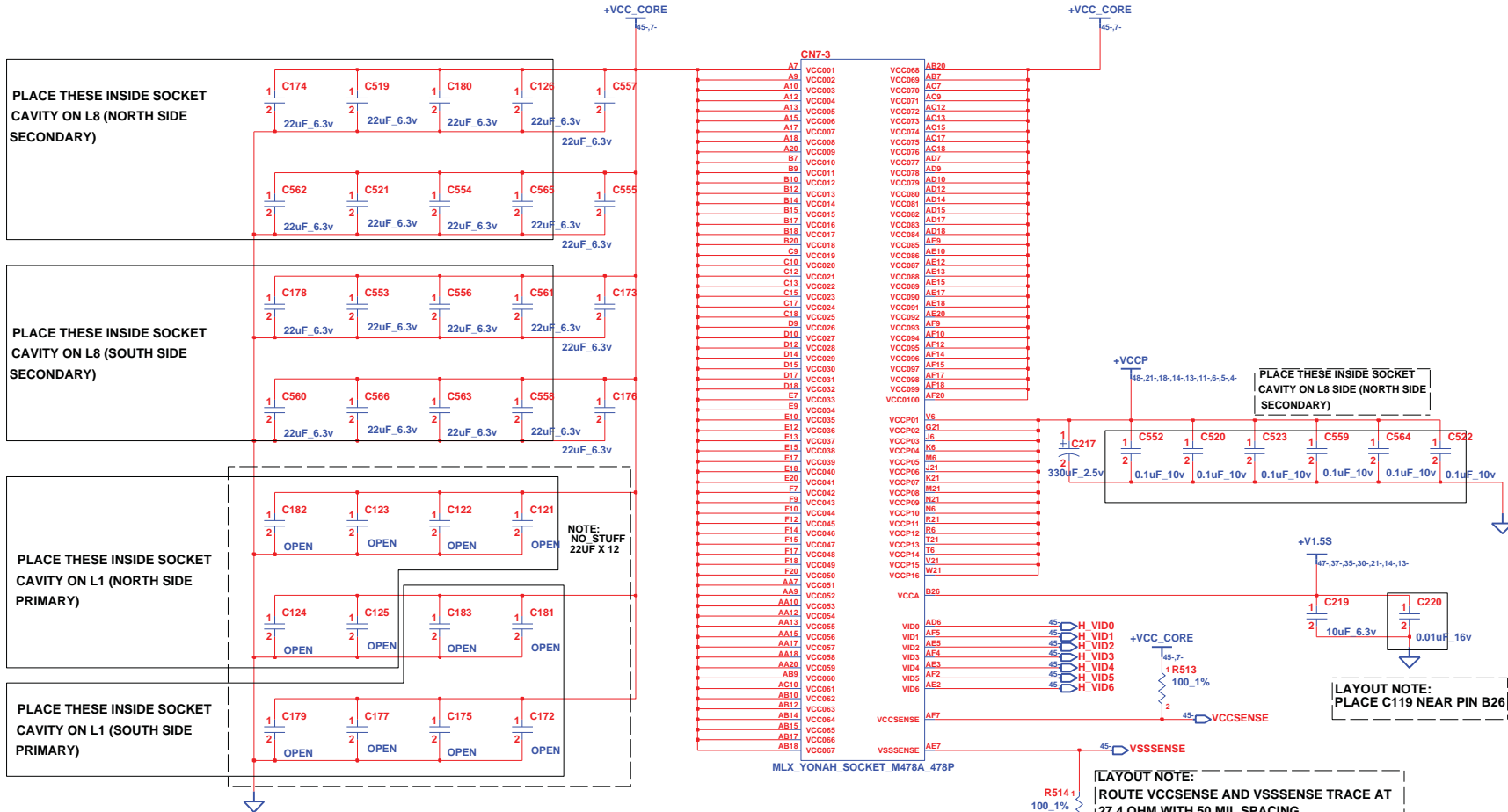
INVENTEC

TITLE			
MW14-6.0			
YONAH-2			
SIZE	CODE	DOC. NUMBER	REV
A3	CS	LC5183	X01

CHANGE by Su Chun-Chi 7-Nov-2005

SHEET 6 OF 63

<http://hobi-elektronika.net>



INVENTEC

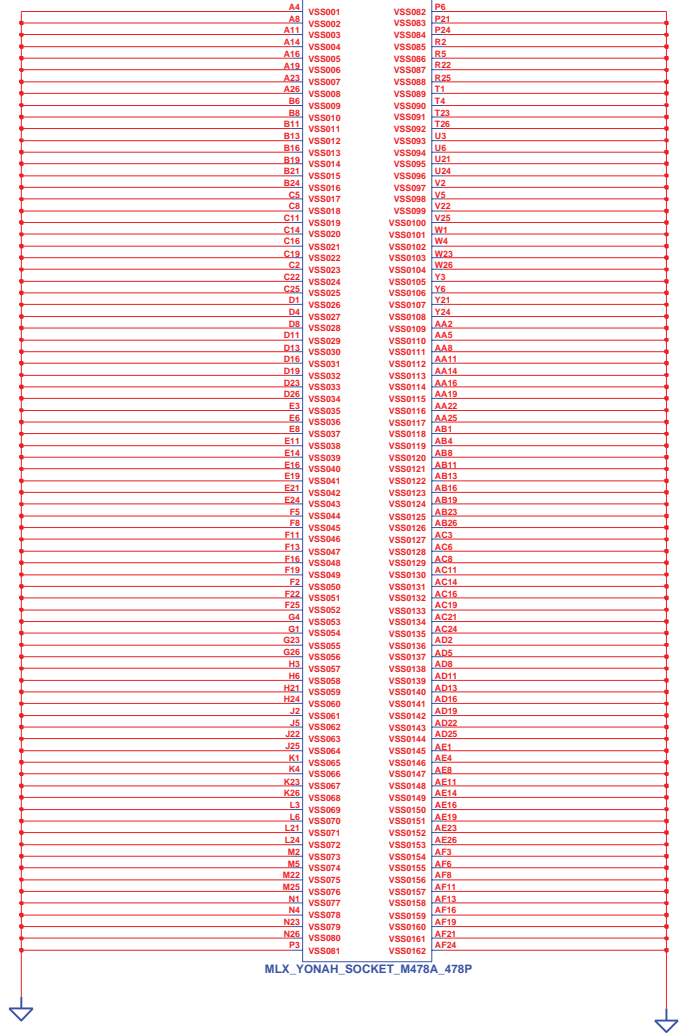
TITLE
MW14-6.0
YONAH-3

SIZE A3	CODE CS	DOC. NUMBER LC5183	REV X01
-------------------	-------------------	------------------------------	-------------------

CHANGE by *Su Chun-Chi* 7-Nov-2005 SHEET 7 OF 63

<http://hobi-elektronika.net>

CN7-4

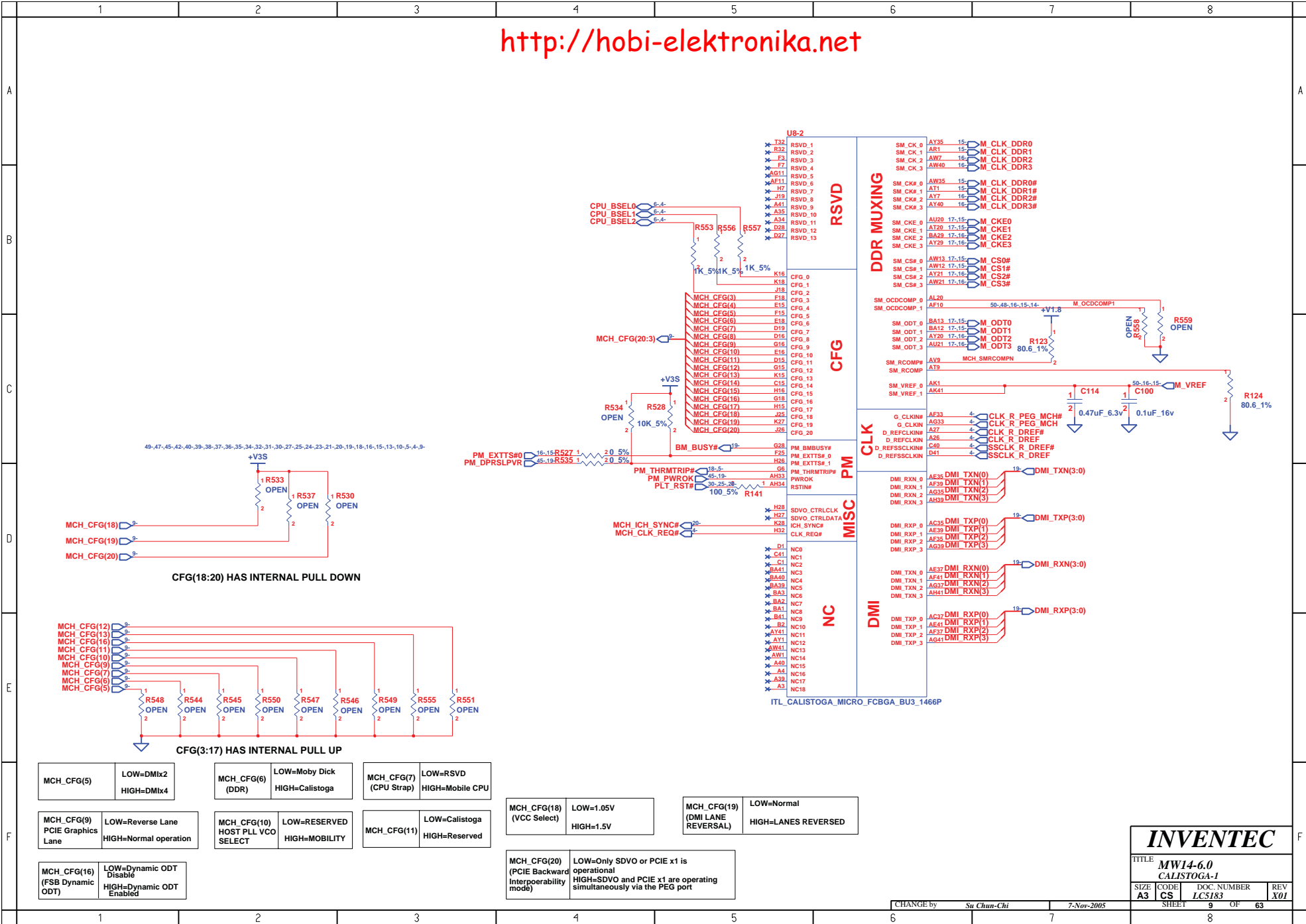


MLX_YONAH_SOCKET_M478A_478P

INVENTEC

TITLE			
MW14-6.0			
YONAH-4			
SIZE	CODE	DOC. NUMBER	REV
A3	CS	LC5183	X01
SHEET			OF
8			63

CHANGE by Su Chun-Chi 7-Nov-2005



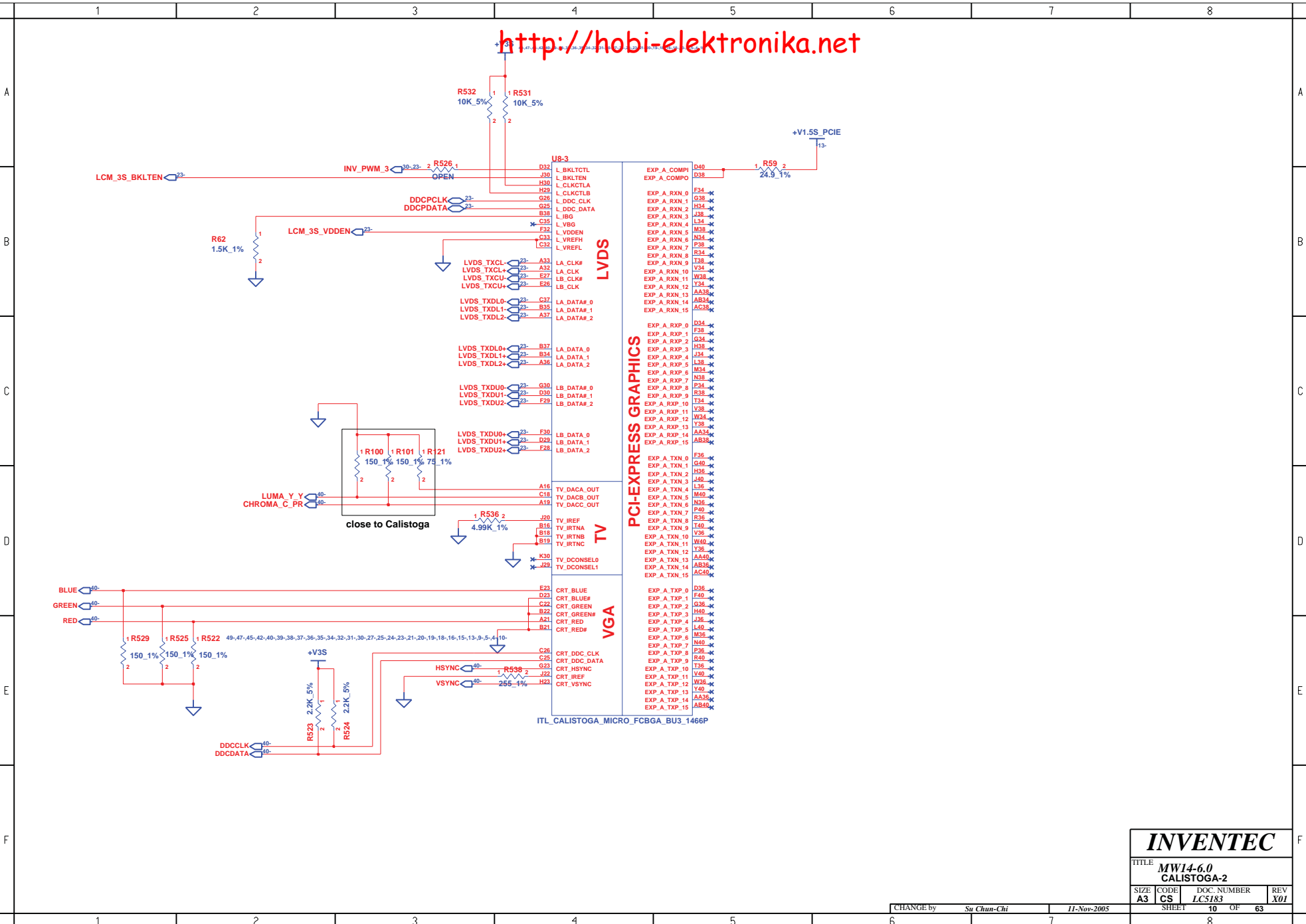
INVENTEC

TITLE
MW14-6.0
CALISTOGA-1

SIZE A3	CODE CS	DOC NUMBER LC5183	REV X01
-------------------	-------------------	-----------------------------	-------------------

CHANGE by *Su Chun-Chi* 7-Nov-2005 SHEET 9 OF 63

<http://hobi-elektronika.net>



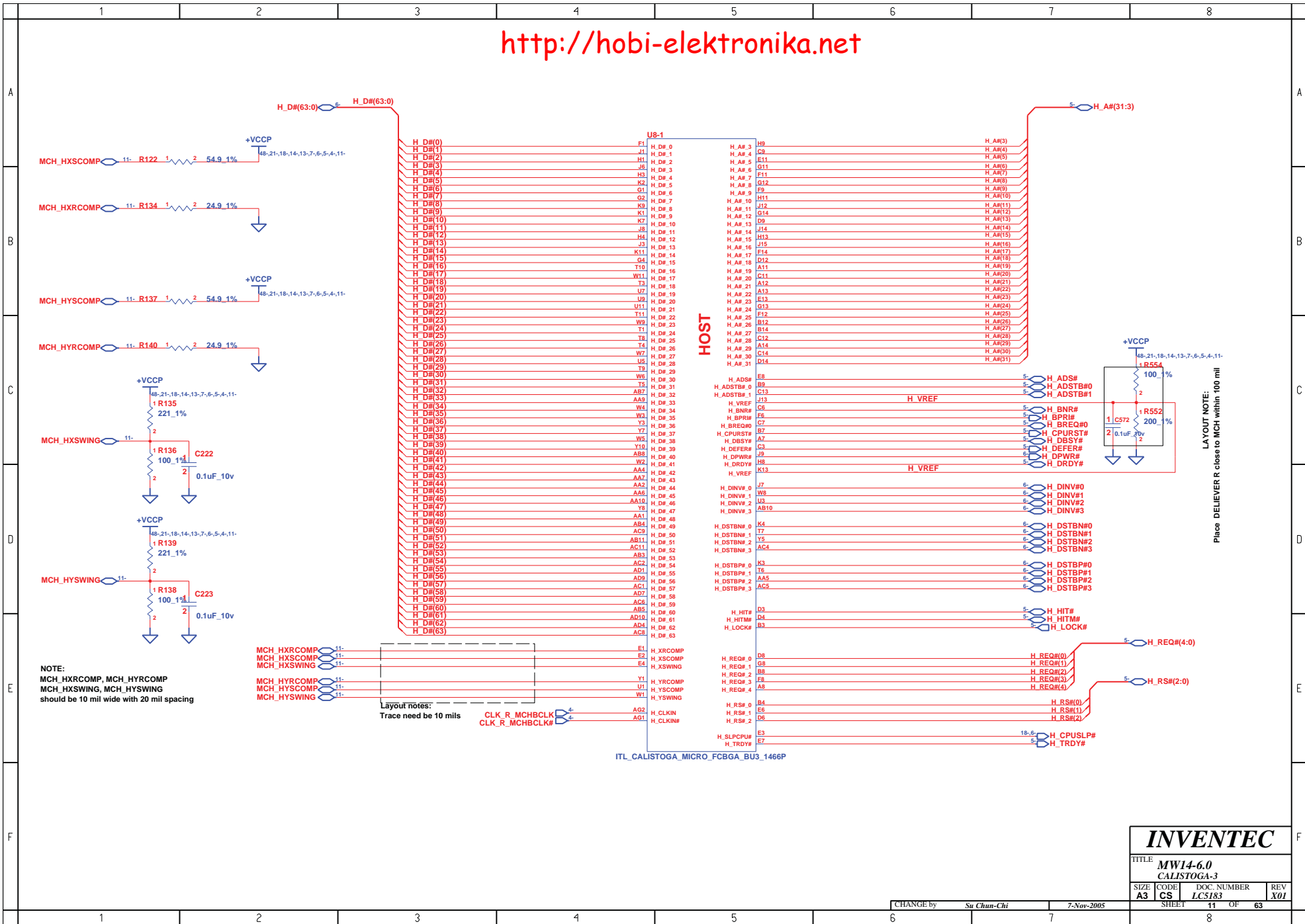
INVENTEC

TITLE
**MW14-6.0
CALISTOGA-2**

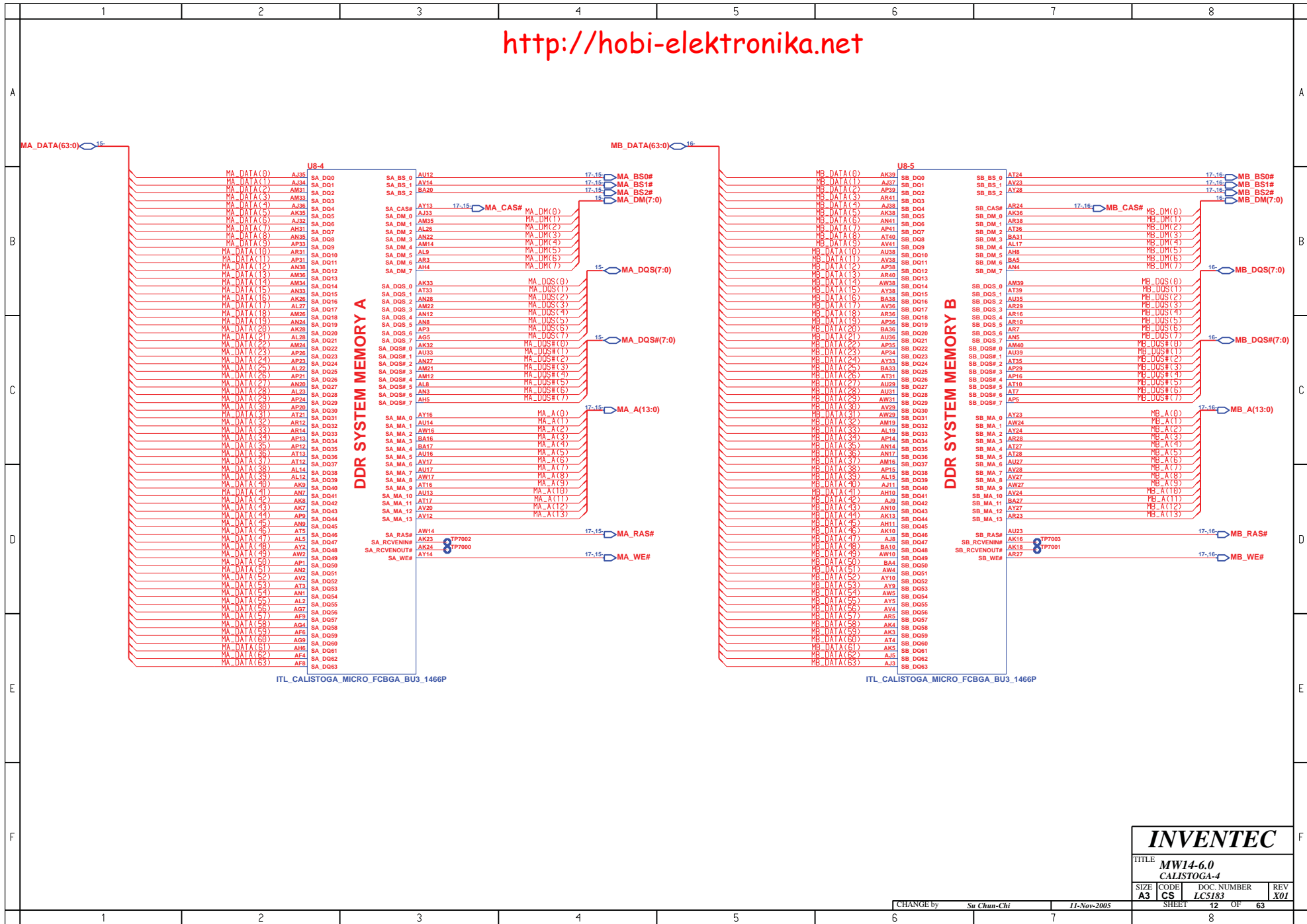
SIZE A3	CODE CS	DOC. NUMBER LC5183	REV X01
-------------------	-------------------	------------------------------	-------------------

CHANGE by *Su Chun-Chi* 11-Nov-2005

SHEET 10 OF 63

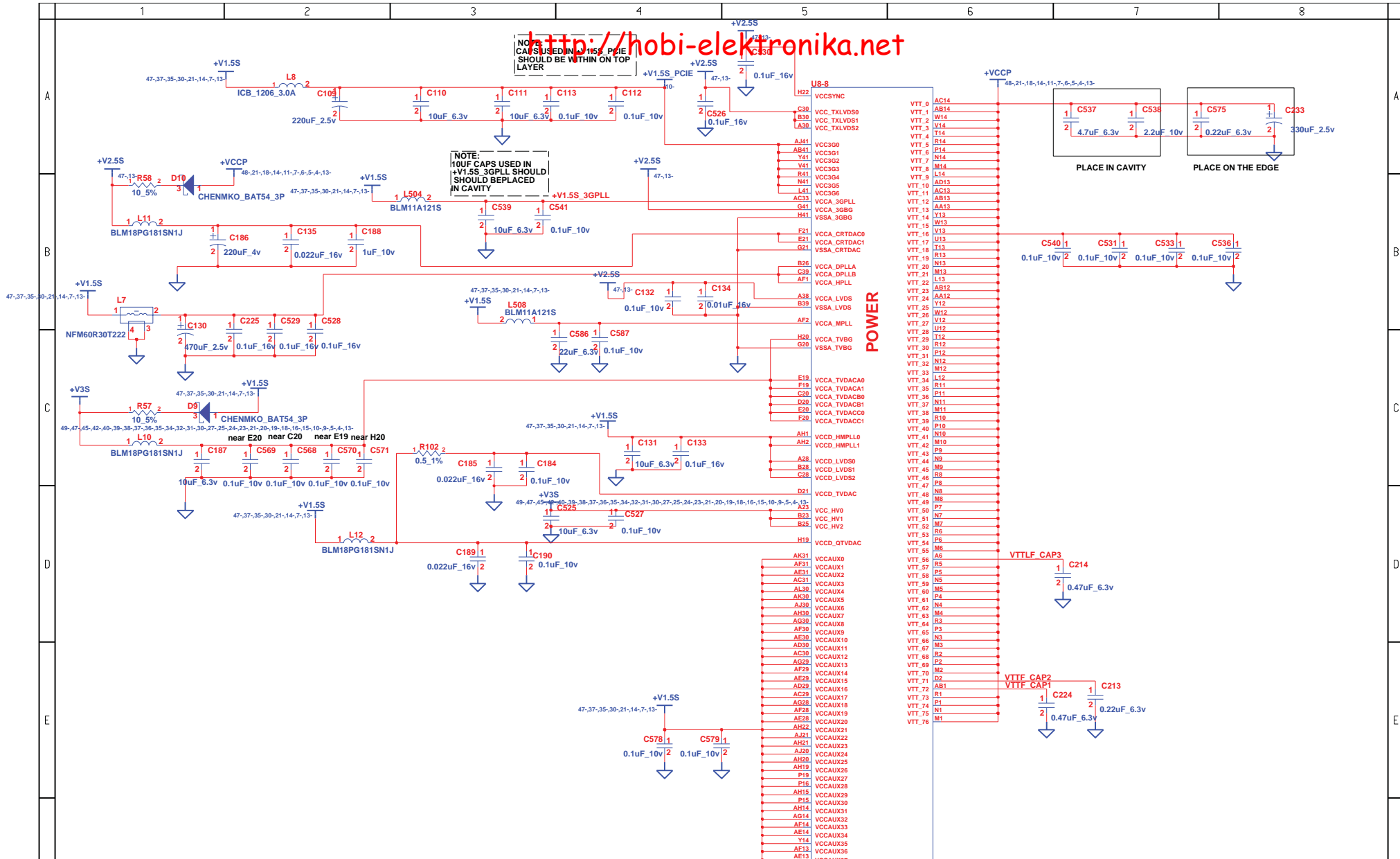


INVENTEC			
TITLE MW14-6.0 CALISTOGA-3			
SIZE A3	CODE CS	DOC. NUMBER LC5183	REV X01
CHANGE by Su Chun-Chi		7-Nov-2005	
SHEET 11		OF 63	



INVENTEC			
TITLE MW14-6.0 CALISTOGA-4			
SIZE A3	CODE CS	DOC. NUMBER LC5183	REV X01
CHANGE by Su Chun-Chi		11-Nov-2005	
SHEET 12		OF 63	

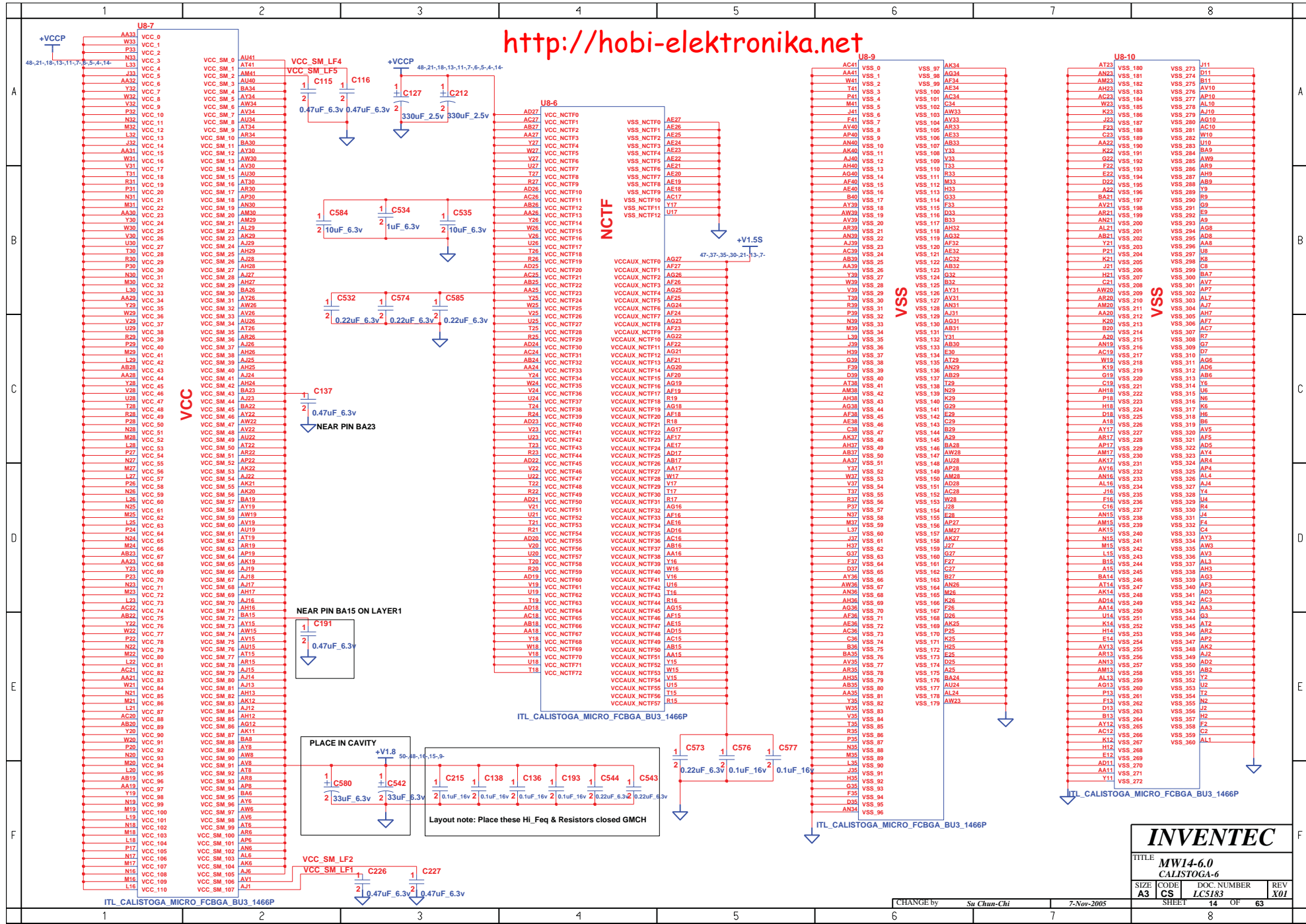
<http://hobi-elektronika.net>



INVENTEC			
TITLE MW14-6.0 CALISTOGA-5			
SIZE A3	CODE CS	DOC. NUMBER LCS183	REV X01

CHANGE by Su Chun-Chi 28-Dec-2005 SHEET 13 OF 63

<http://hobi-elektronika.net>



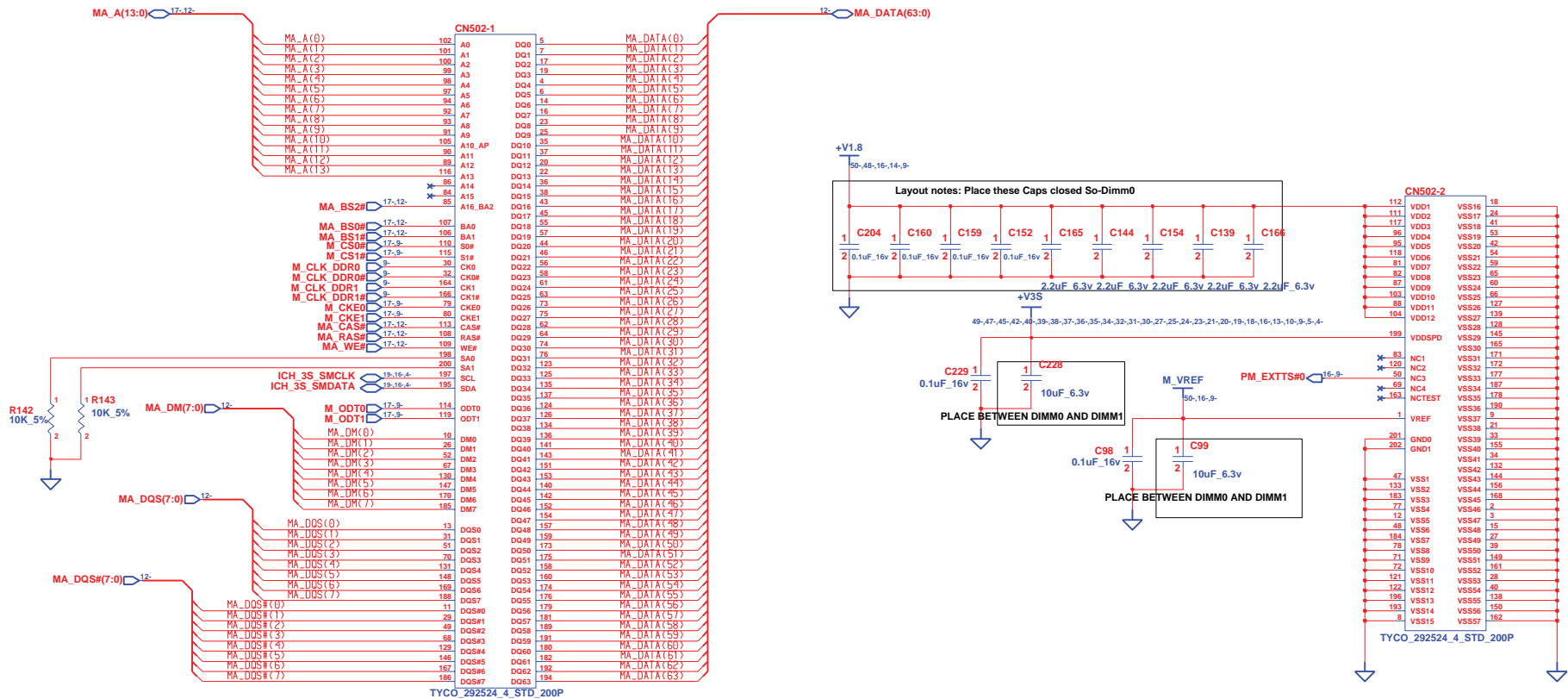
INVENTEC

TITLE
MW14-6.0
CALISTOGA-6

SIZE	CODE	DOC. NUMBER	REV
A3	CS	LC5183	X01

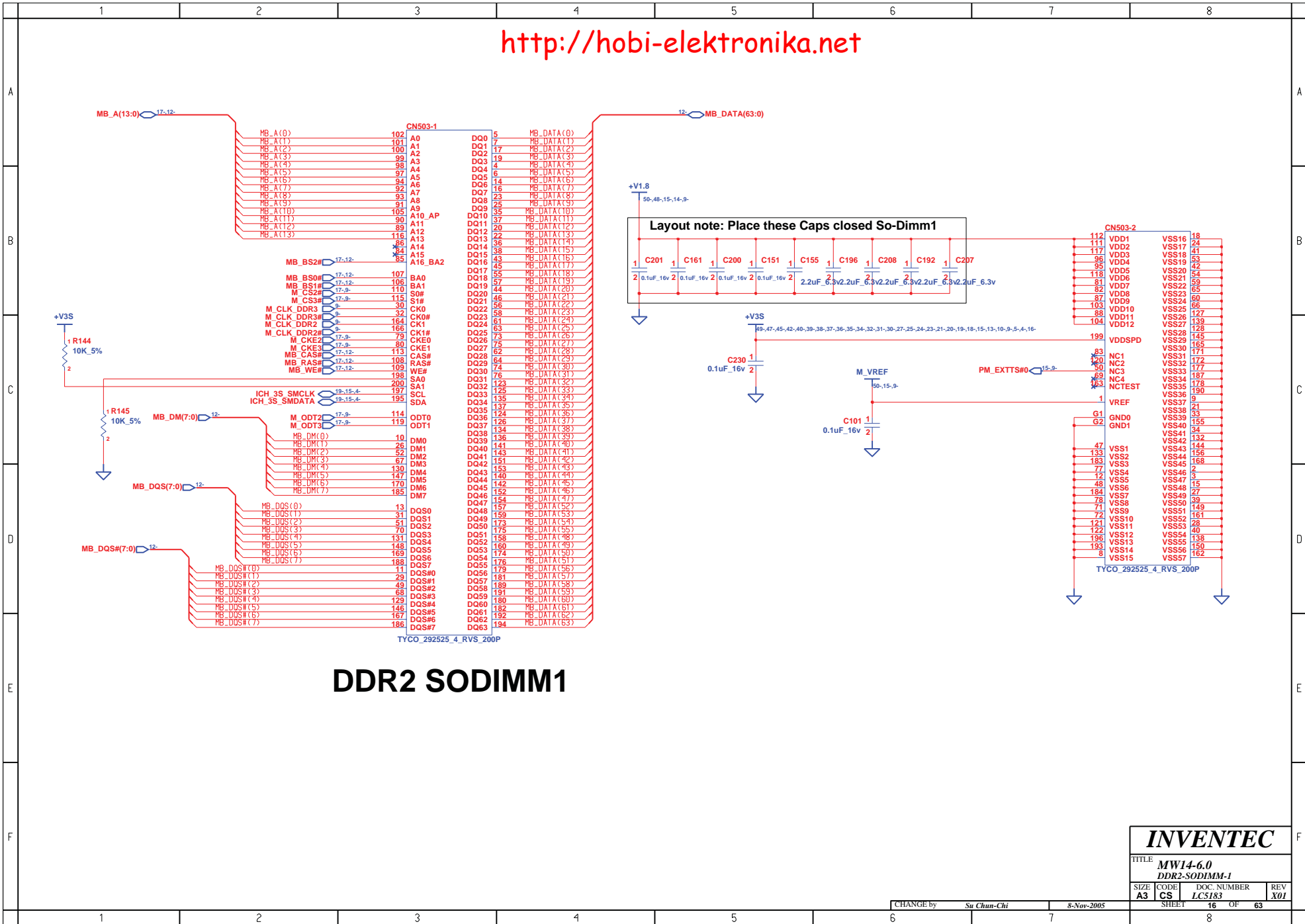
SHEET 14 OF 63

CHANGE by Su Chun-Chi 7-Nov-2005



DDR2 SODIMM0

INVENTEC			
TITLE			
MW14-6.0 DDR2-SODIMM-0			
SIZE	CODE	DOC. NUMBER	REV
A3	CS	LC5183	X01
CHANGE by		Su Chun-Chi	22-Nov-2005
SHEET		15	OF 63



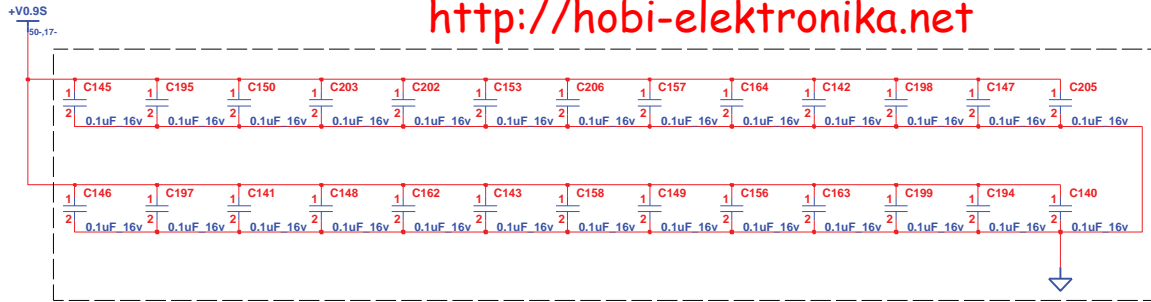
DDR2 SODIMM1

INVENTEC

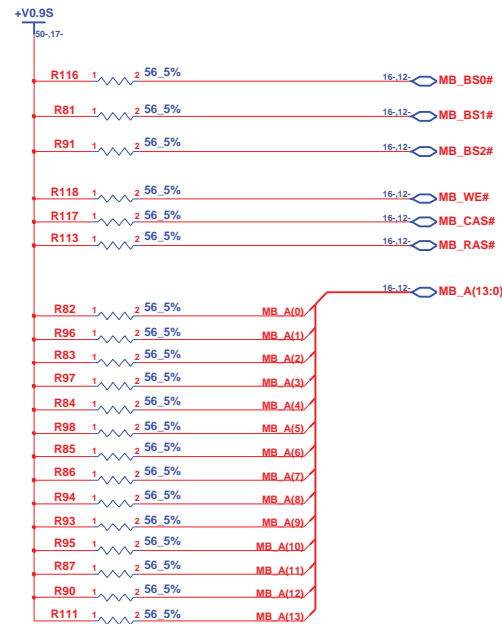
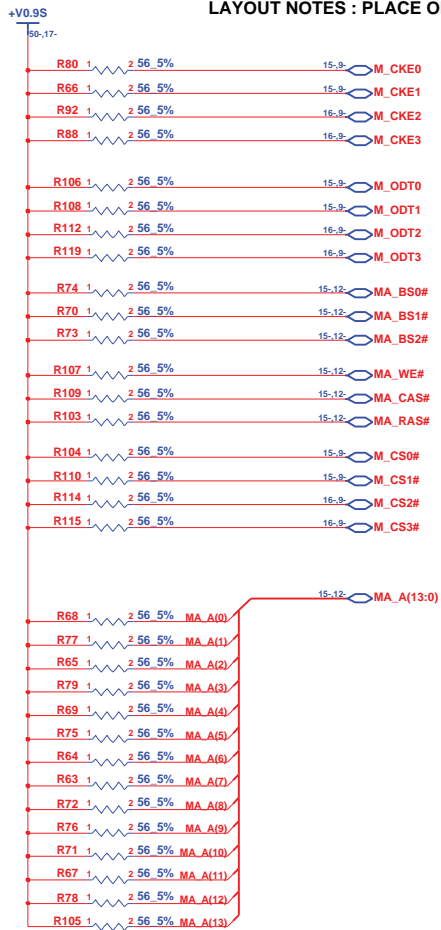
TITLE
MW14-6.0
DDR2-SODIMM-1

SIZE	CODE	DOC. NUMBER	REV
A3	CS	LC5183	X01

<http://hobi-elektronika.net>



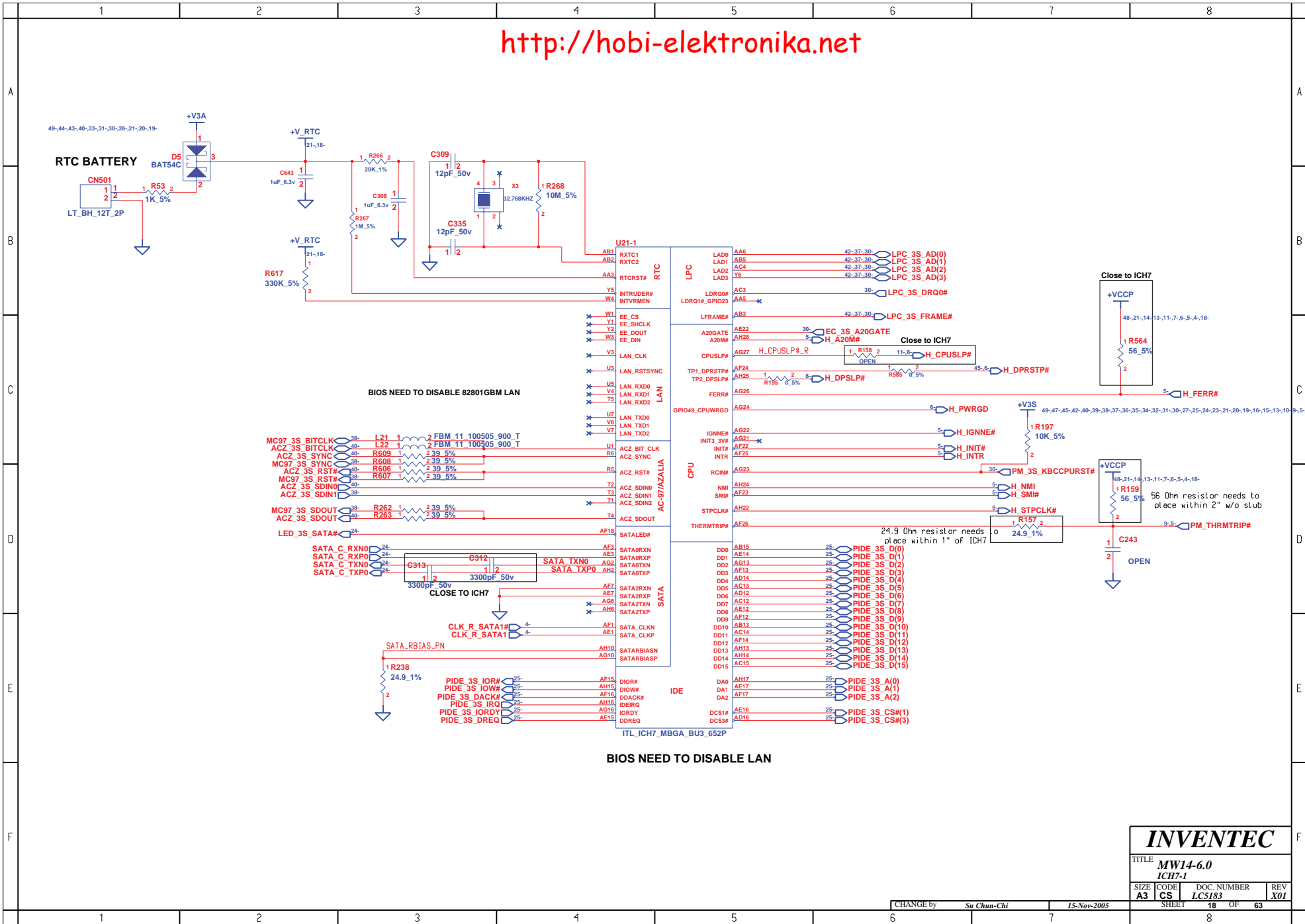
LAYOUT NOTES : PLACE ONE CAP CLOSE TO EVERY 2 PULL UP RESISTOR TERMINATED TO +V0.9S



INVENTEC

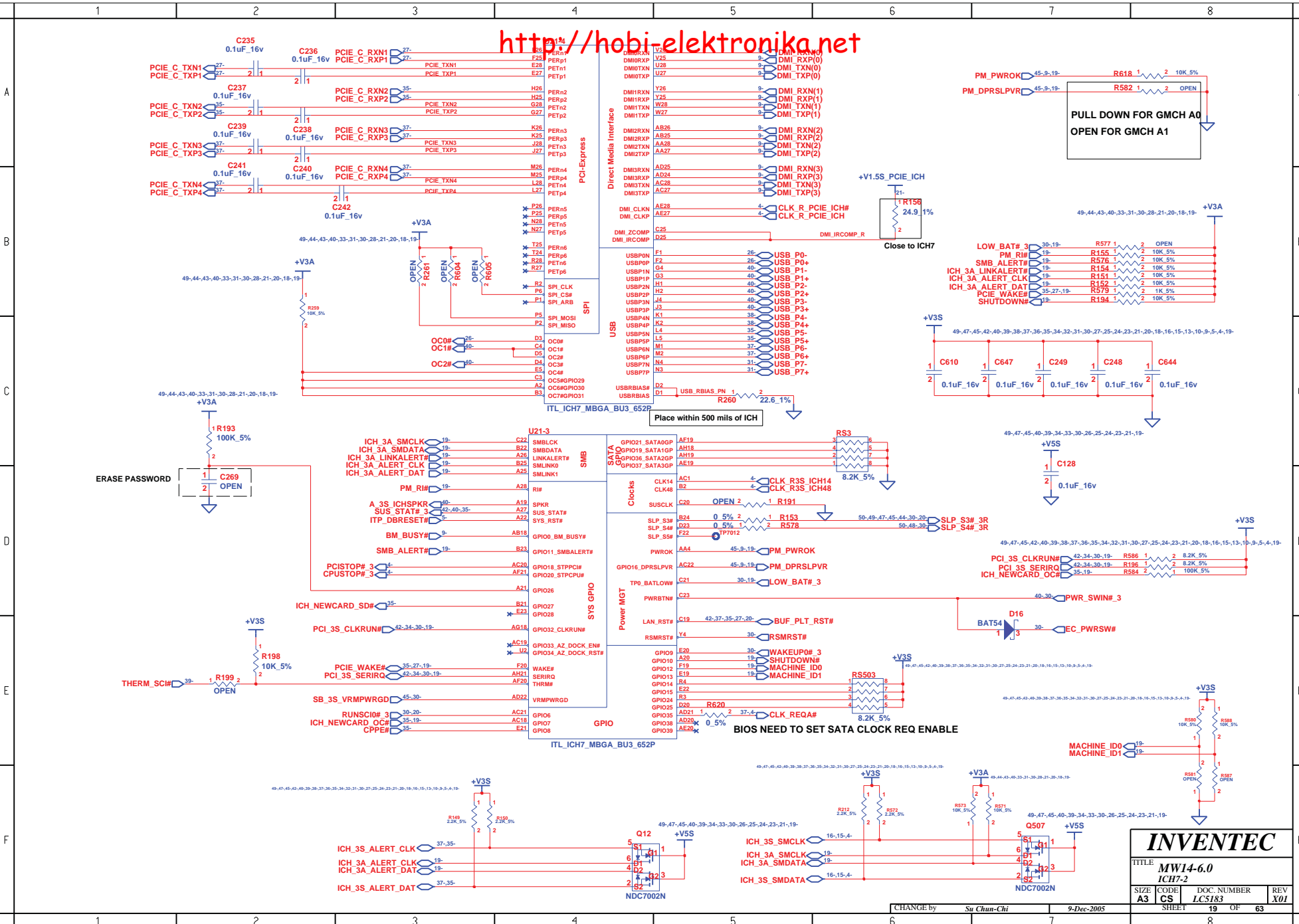
TITLE			
MW14-6.0			
DDR-DAMPING			
SIZE	CODE	DOC. NUMBER	REV
A3	CS	LC5183	X01
SHEET		OF	
17		63	

CHANGE by Su Chun-Chi 7-Nov-2005

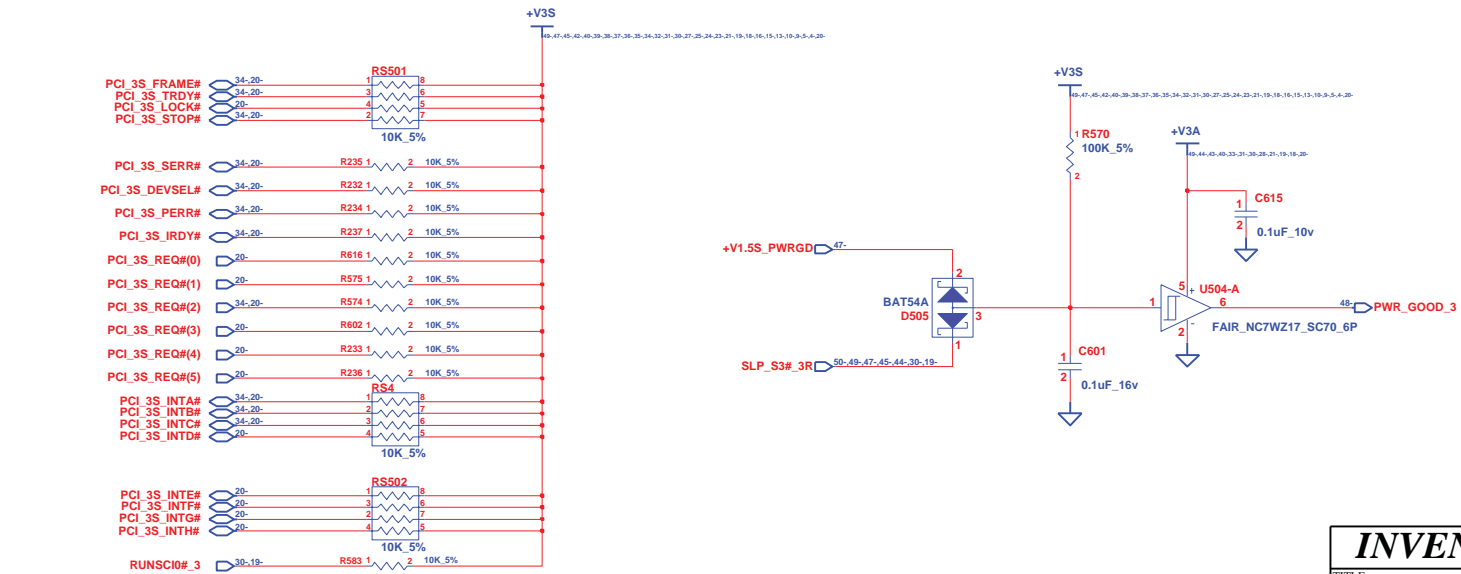
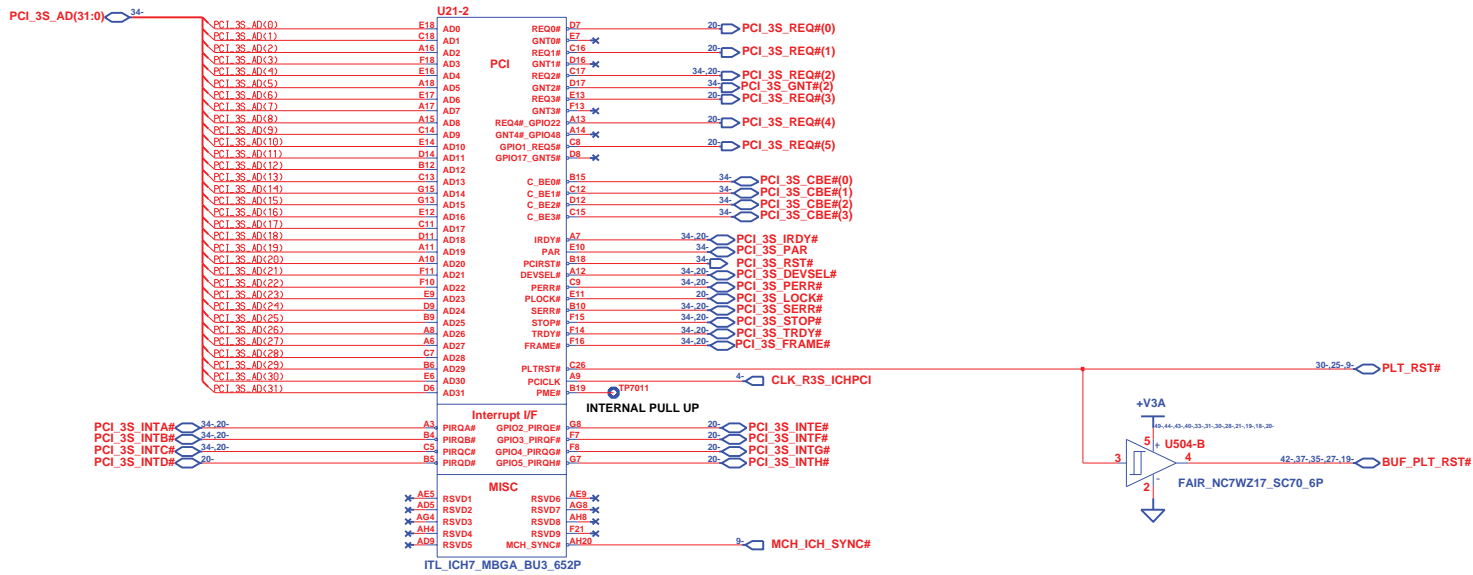


INVENTEC			
TITLE MW14-6.0 ICH7-1			
SIZE A3	CODE CS	DOC. NUMBER LC5183	REV X01
CHANGE by Su Chun-Chi		15-Nov-2005	
SHEET 18		OF 63	

<http://hobi-elektronika.net>

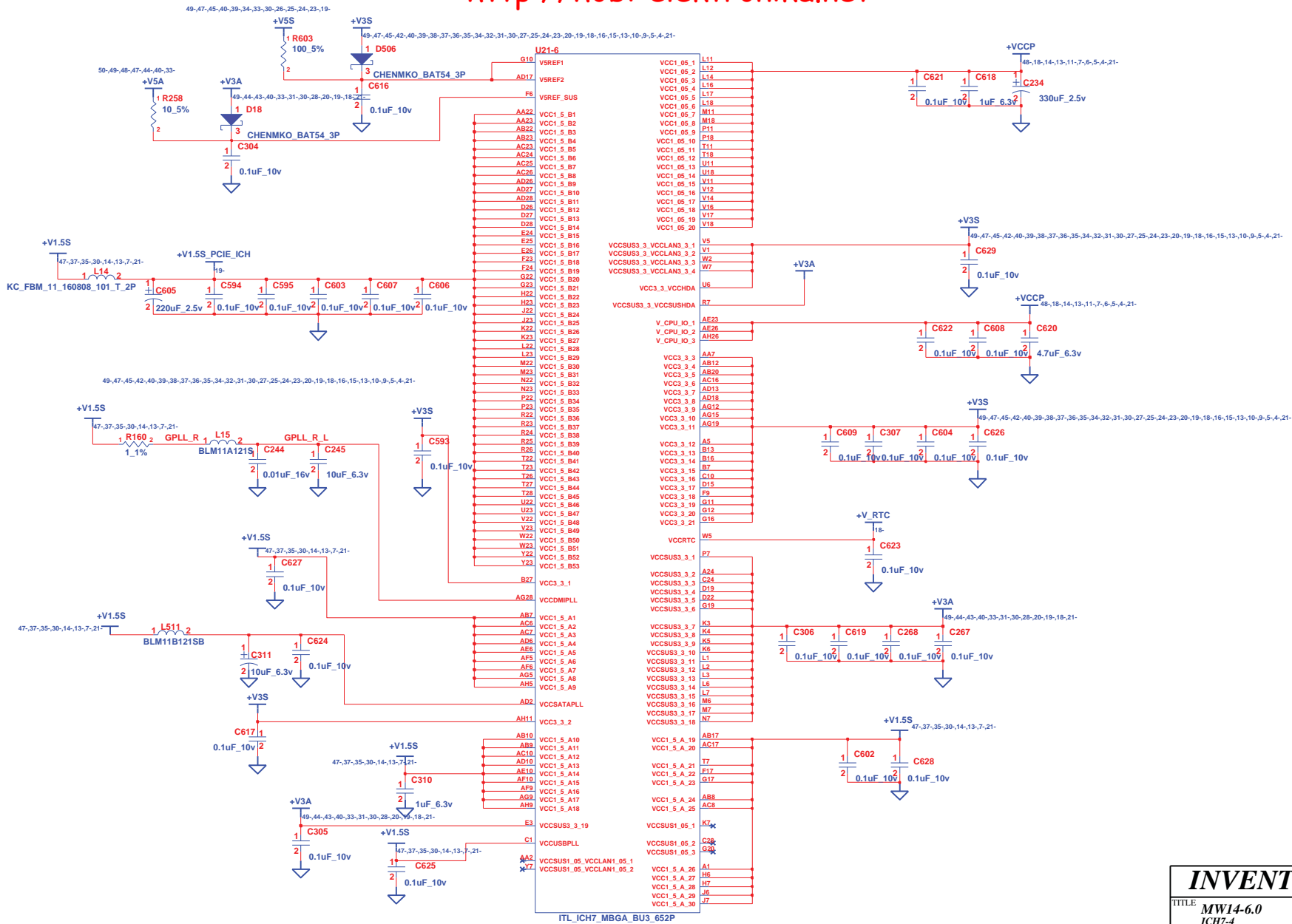


INVENTEC			
TITLE MW14-6.0 ICH7-2			
SIZE A3	CODE CS	DOC. NUMBER LC5183	REV X01
SHEET 19		OF 63	



INVENTEC			
TITLE MW14-6.0 ICH7-3			
SIZE A3	CODE CS	DOC. NUMBER LCS183	REV X01
CHANGE by <i>Su Chun-Chi</i>		25-Feb-2006	
SHEET 20		OF 63	

<http://hobi-elektronika.net>



INVENTEC			
TITLE MW14-6.0 ICH7-4			
SIZE A3	CODE CS	DOC. NUMBER LCS183	REV X01
SHEET 21		OF 63	

CHANGE by *Su Chun-Chi* 7-Nov-2005

<http://hobi-elektronika.net>

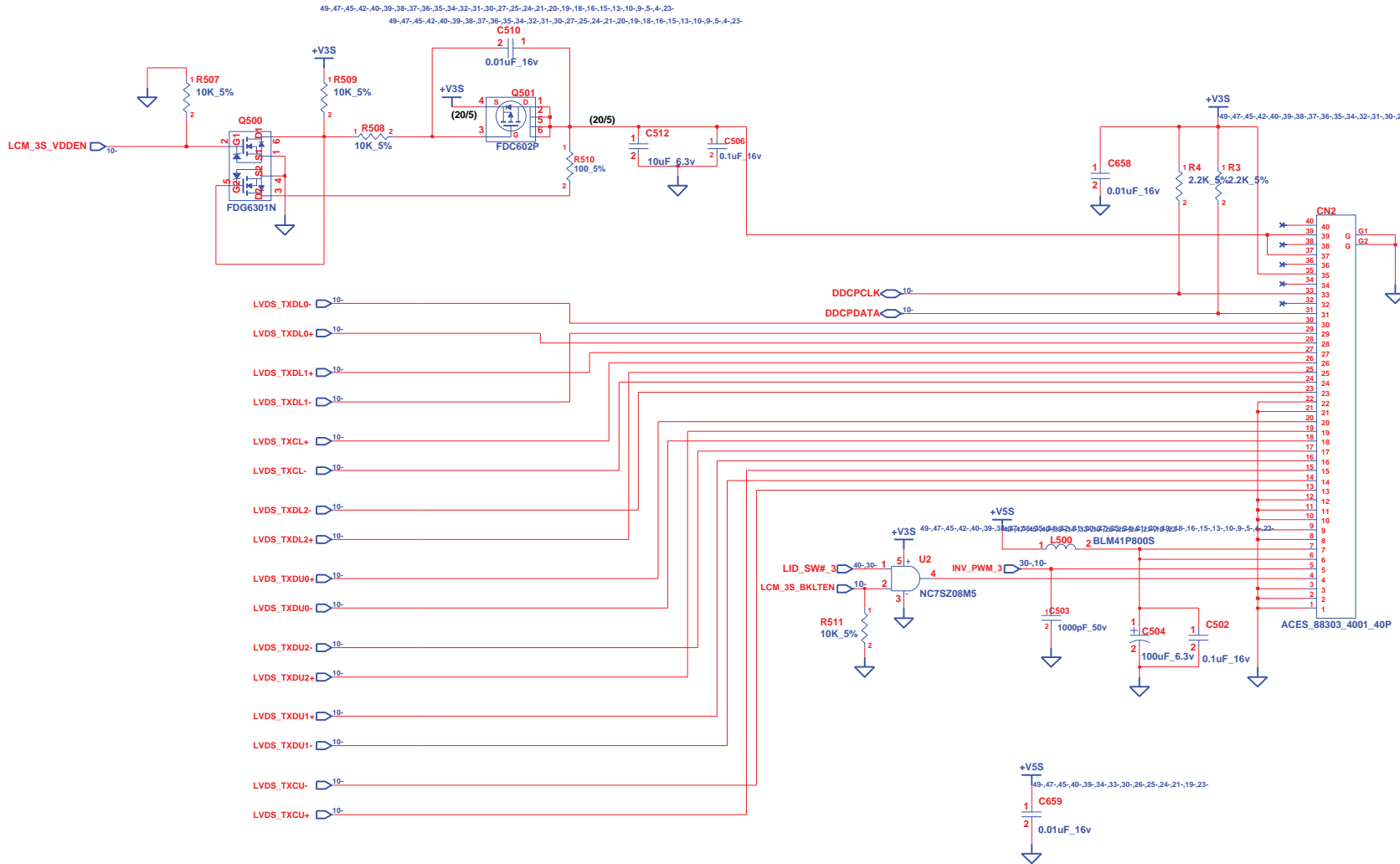
U21-5		P28	
A4	VSS1	VS998	R1
A23	VSS2	VS999	R11
B1	VSS3	VSS100	R12
B8	VSS4	VSS101	R13
B11	VSS5	VSS102	R14
B14	VSS6	VSS103	R15
B17	VSS7	VSS104	R16
B20	VSS8	VSS105	R17
B26	VSS9	VSS106	R18
B28	VSS10	VSS107	T6
C2	VSS11	VSS108	T12
C6	VSS12	VSS109	T13
C27	VSS13	VSS110	T14
D10	VSS14	VSS111	T15
D13	VSS15	VSS112	T16
D18	VSS16	VSS113	T17
D21	VSS17	VSS114	U4
D24	VSS18	VSS115	U12
E1	VSS19	VSS116	U13
E2	VSS20	VSS117	U14
E4	VSS21	VSS118	U15
E8	VSS22	VSS119	U16
E15	VSS23	VSS120	U17
F3	VSS24	VSS121	U24
F4	VSS25	VSS122	U25
F5	VSS26	VSS123	U26
F12	VSS27	VSS124	V2
F22	VSS28	VSS125	V13
F28	VSS29	VSS126	V15
G1	VSS30	VSS127	V24
G2	VSS31	VSS128	V27
G5	VSS32	VSS129	V28
G6	VSS33	VSS130	W6
G9	VSS34	VSS131	W24
G14	VSS35	VSS132	W25
G18	VSS36	VSS133	W26
G21	VSS37	VSS134	Y3
G24	VSS38	VSS135	Y24
G25	VSS39	VSS136	Y27
G28	VSS40	VSS137	Y28
H3	VSS41	VSS138	AA1
H4	VSS42	VSS139	AA24
H5	VSS43	VSS140	AA25
H24	VSS44	VSS141	AA26
H27	VSS45	VSS142	AB4
H28	VSS46	VSS143	AB6
J1	VSS47	VSS144	AB11
J2	VSS48	VSS145	AB14
J5	VSS49	VSS146	AB16
J24	VSS50	VSS147	AB19
J25	VSS51	VSS148	AB24
J26	VSS52	VSS149	AB25
K24	VSS53	VSS150	AB27
K27	VSS54	VSS151	AB28
K28	VSS55	VSS152	AC2
L13	VSS56	VSS153	AC5
L15	VSS57	VSS154	AC9
L24	VSS58	VSS155	AD1
L25	VSS59	VSS156	AD3
L26	VSS60	VSS157	AD4
M3	VSS61	VSS158	AD7
M4	VSS62	VSS159	AD8
M5	VSS63	VSS160	AD11
M6	VSS64	VSS161	AD15
M13	VSS65	VSS162	AD19
M14	VSS66	VSS163	AD23
M15	VSS67	VSS164	AE2
M16	VSS68	VSS165	AE4
M17	VSS69	VSS166	AE8
M24	VSS70	VSS167	AE13
M27	VSS71	VSS168	AE18
M28	VSS72	VSS169	AE24
N1	VSS73	VSS170	AE25
N2	VSS74	VSS171	AF2
N5	VSS75	VSS172	AF4
N6	VSS76	VSS173	AF8
N11	VSS77	VSS174	AF11
N12	VSS78	VSS175	AF27
N13	VSS79	VSS176	AF28
N14	VSS80	VSS177	AG1
N15	VSS81	VSS178	AG3
N16	VSS82	VSS179	AG7
N17	VSS83	VSS180	AG11
N18	VSS84	VSS181	AG14
N24	VSS85	VSS182	AG17
N25	VSS86	VSS183	AG20
N26	VSS87	VSS184	AG25
P3	VSS88	VSS185	AH1
P4	VSS89	VSS186	AH3
P12	VSS90	VSS187	AH7
P13	VSS91	VSS188	AH12
P14	VSS92	VSS189	AH23
P15	VSS93	VSS190	AH27
P16	VSS94	VSS191	AH28
P17	VSS95	VSS192	AH29
P24	VSS96	VSS193	AH30
P27	VSS97	VSS194	AH31

ITL_ICH7_MBGA_BU3_652P

INVENTEC			
TITLE			
MW14-6.0			
ICH7-5			
SIZE	CODE	DOC. NUMBER	REV
A3	CS	LC5183	X01
SHEET		22	OF 63

CHANGE by Su Chun-Chi 7-Nov-2005

<http://hobi-elektronika.net>



INVENTEC			
TITLE MW14-6.0			
LCD CONNECTOR I/F			
SIZE A3	CODE CS	DOC. NUMBER LC5183	REV X01
CHANGE by <i>Su Chun-Chi</i>		14-Nov-2005	
SHEET 23		OF 63	

1 2 3 4 5 6 7 8

A

B

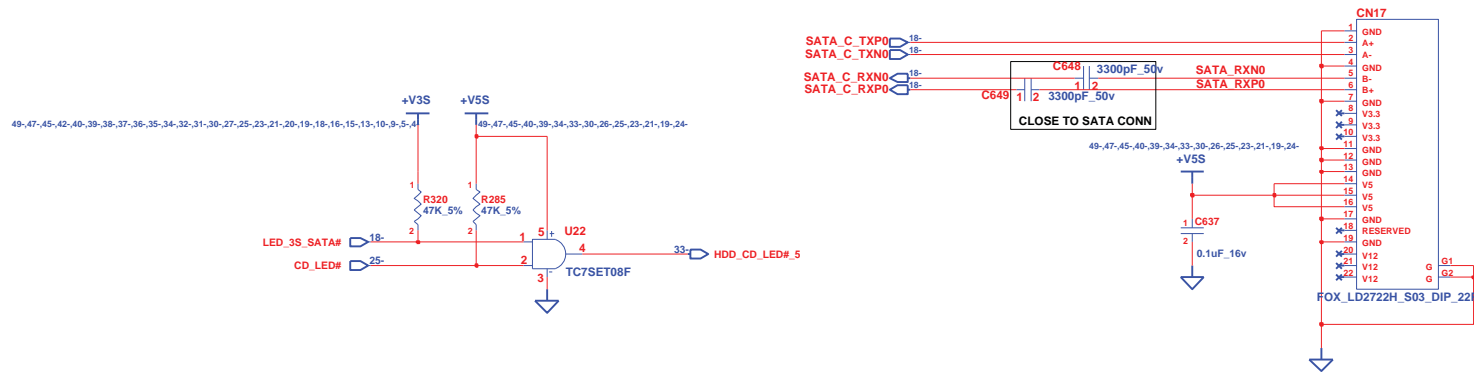
C

D

E

F

<http://hobi-elektronika.net>



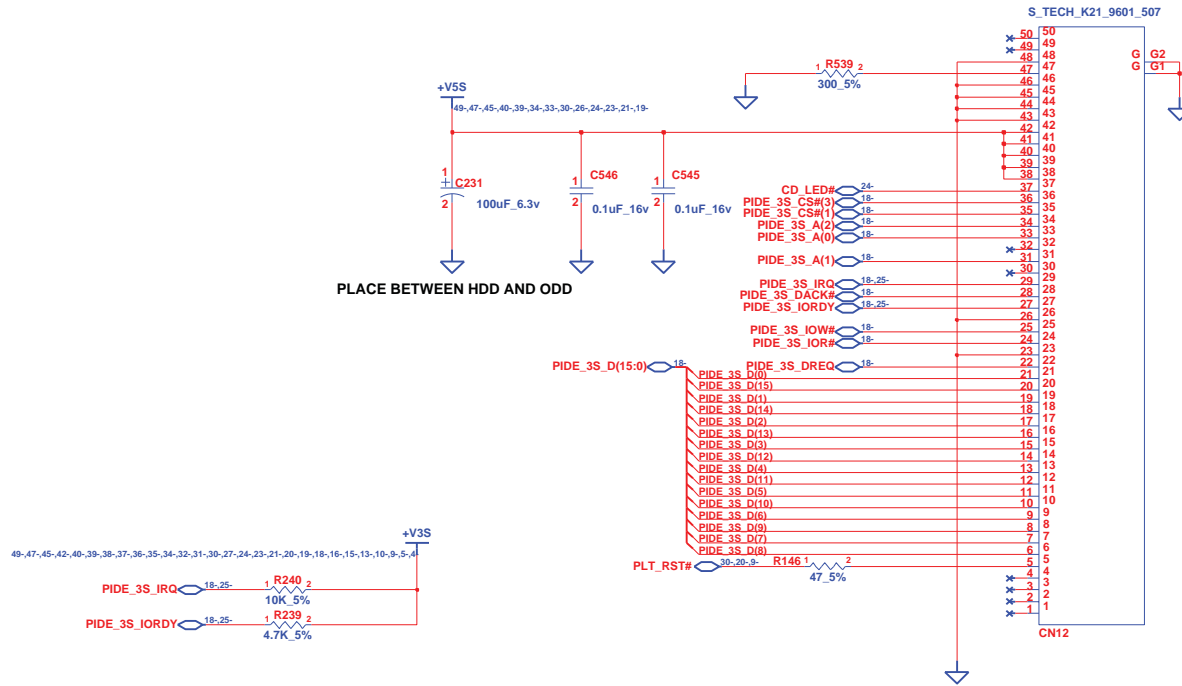
INVENTEC

TITLE			
MW14-6.0			
HDD CONNECTOR(SATA)			
SIZE	CODE	DOC. NUMBER	REV
A3	CS	LC5183	X01

CHANGE by Su Chun-Chi 7-Nov-2005

SHEET 24 OF 63

<http://hobi-elektronika.net>



INVENTEC

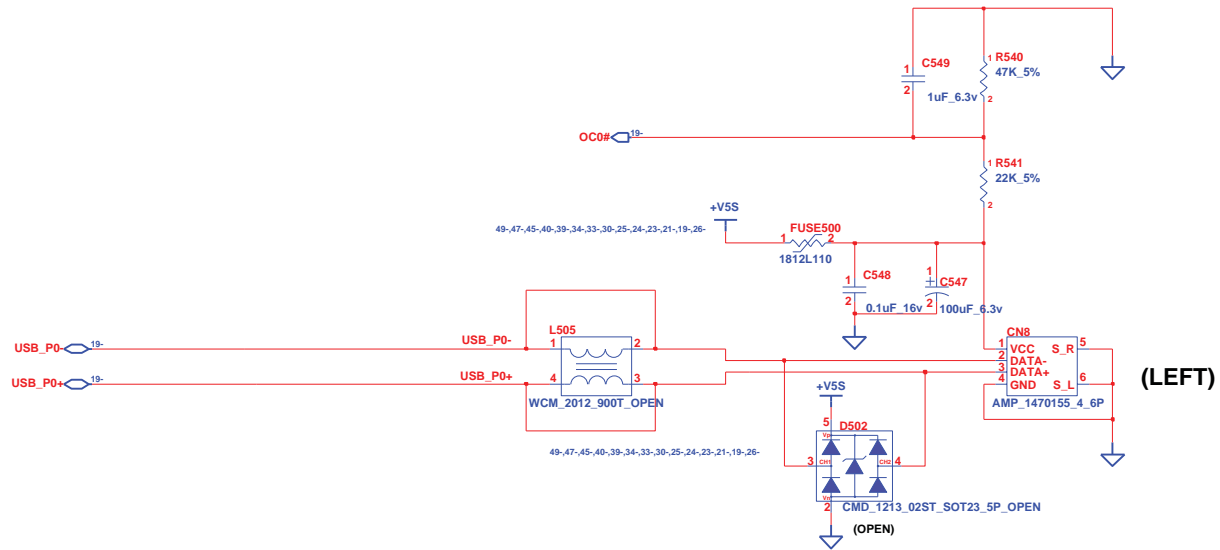
TITLE
MW14-6.0
 CD-ROM Connect

SIZE A3	CODE CS	DOC. NUMBER LC5183	REV X01
-------------------	-------------------	------------------------------	-------------------

CHANGE by *Su Chun-Chi* 22-Feb-2006

SHEET 25 OF 63

<http://hobi-elektronika.net>



INVENTEC

TITLE **MW14-6.0**

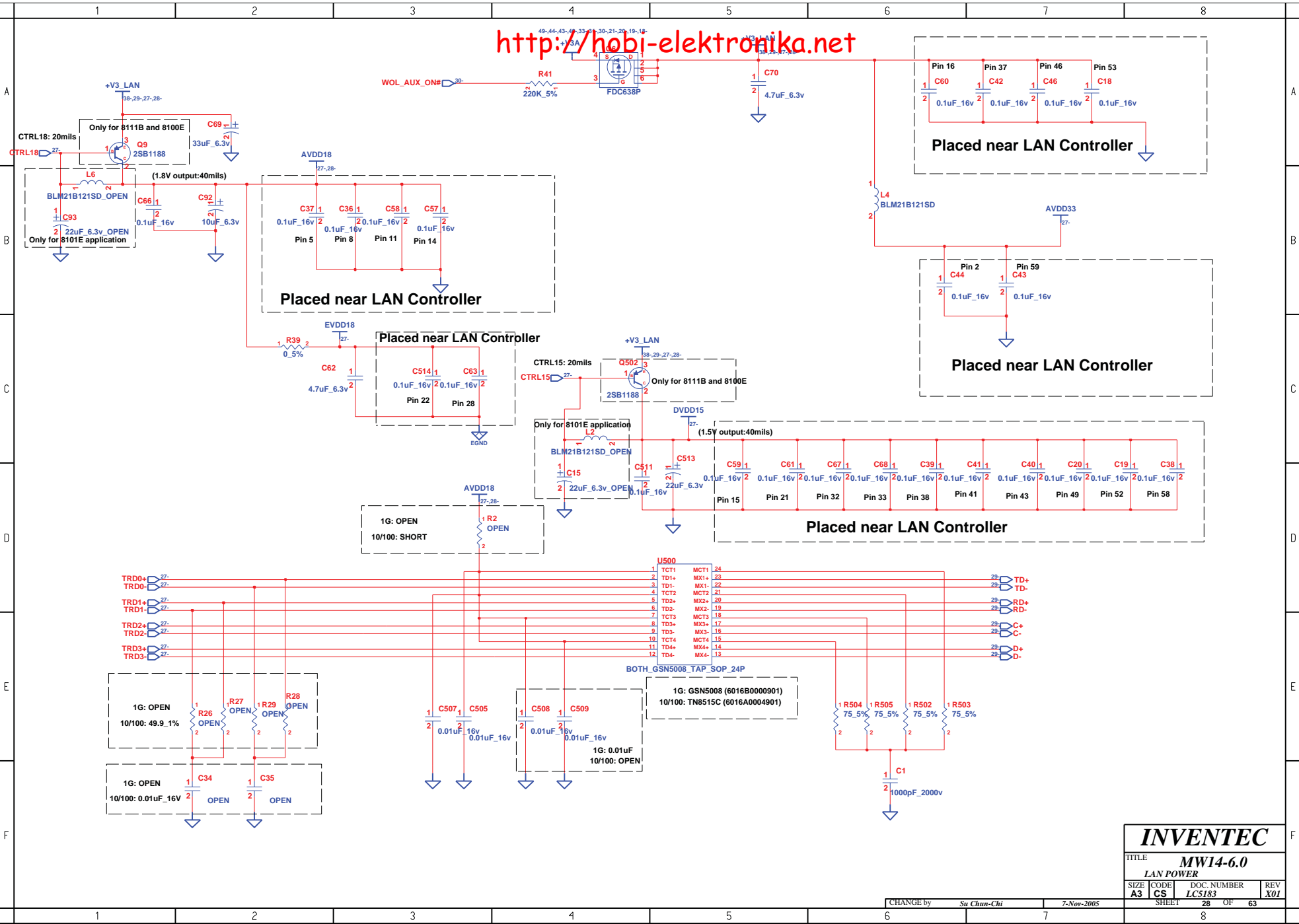
USB_PORT

SIZE A3	CODE CS	DOC. NUMBER LC5183	REV X01
-------------------	-------------------	------------------------------	-------------------

CHANGE by *Su Chun-Chi* 15-Nov-2005

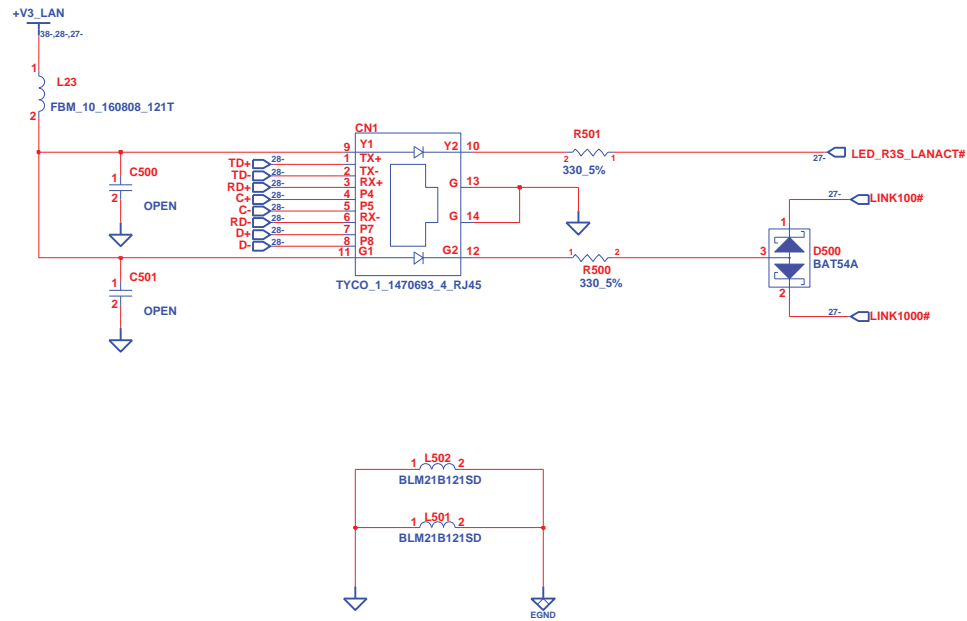
SHEET 26 OF 63

<http://hobi-elektronika.net>



INVENTEC			
TITLE: MW14-6.0			
LAN POWER			
SIZE: A3	CODE: CS	DOC NUMBER: LC5183	REV: X01
CHANGE by: <i>Su Chun-Chi</i>		7-Nov-2005	
SHEET: 28		OF: 63	

<http://hobi-elektronika.net>



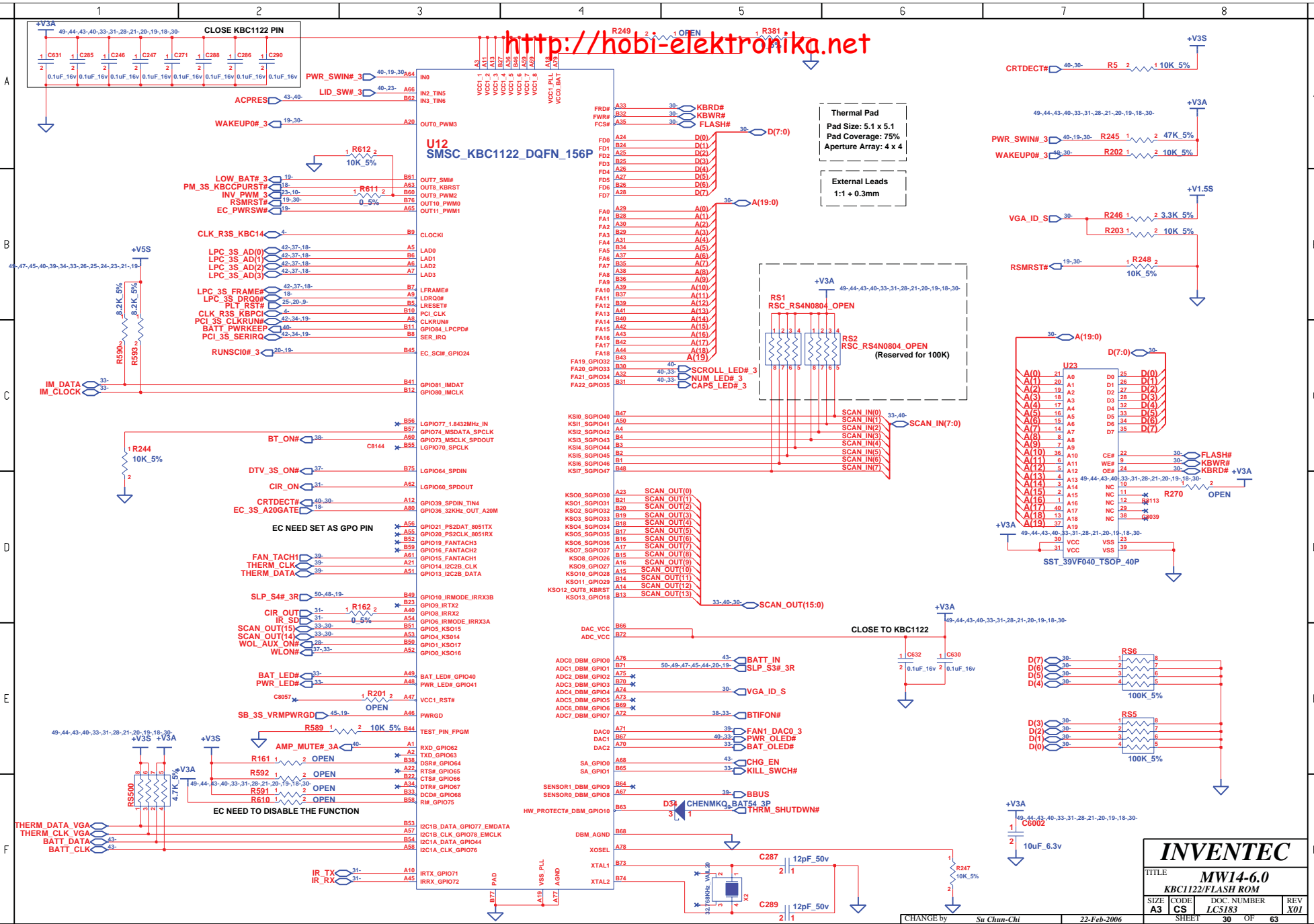
INVENTEC

TITLE **MW14-6.0**

RJ45 CONN

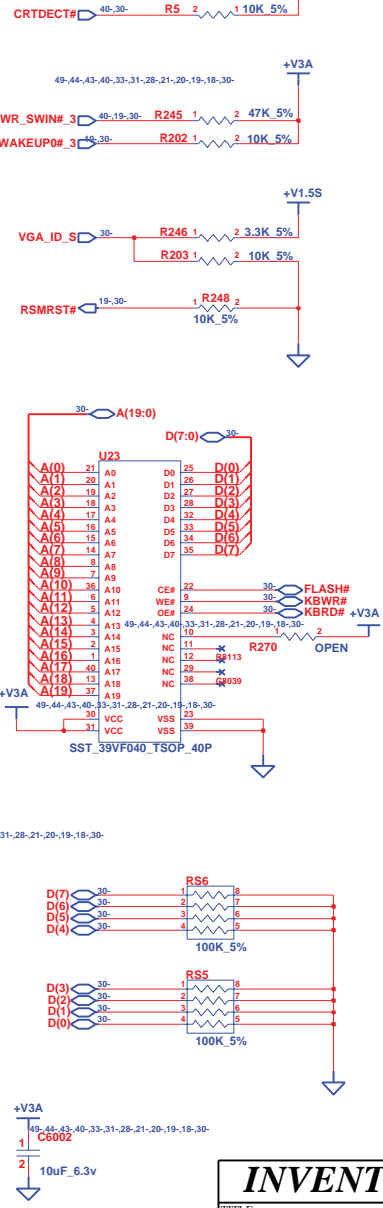
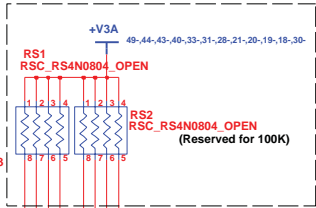
SIZE A3	CODE CS	DOC. NUMBER LC5183	REV X01
CHANGE by <i>Su Chun-Chi</i>		7-Nov-2005	
SHEET		29	OF 63

http://hobi-elektronika.net



Thermal Pad
Pad Size: 5.1 x 5.1
Pad Coverage: 75%
Aperture Array: 4 x 4

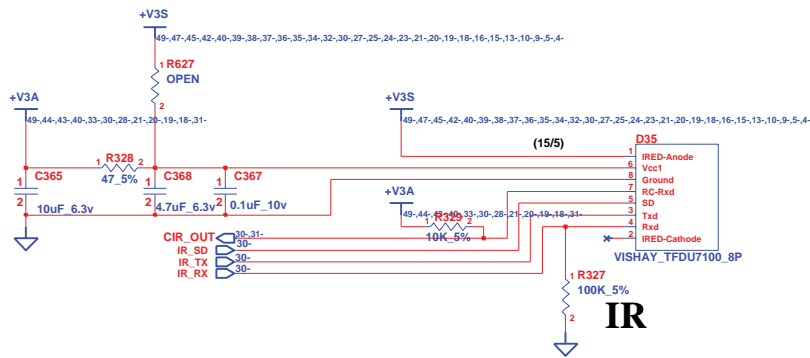
External Leads
1:1 + 0.3mm



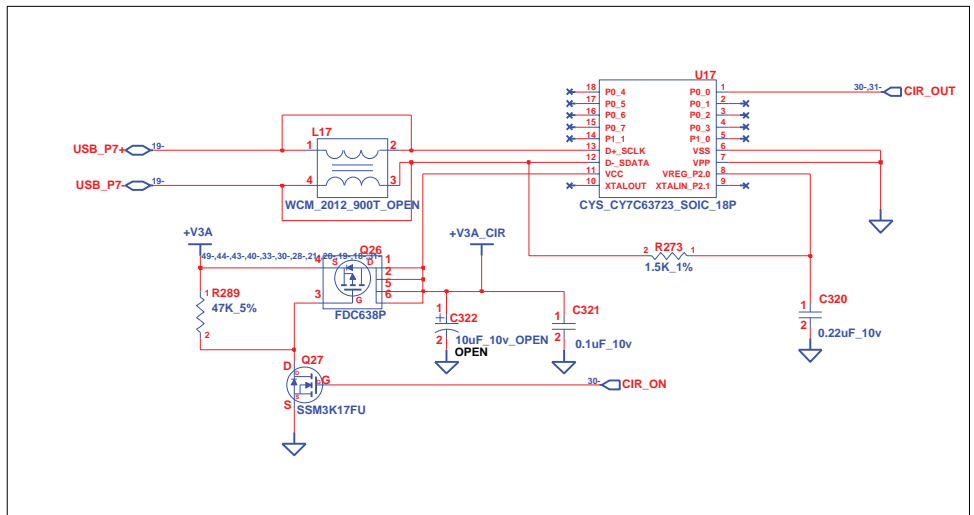
INVENTEC			
TITLE MW14-6.0			
KBC1122/FLASH ROM			
SIZE A3	CODE CS	DOC. NUMBER LCS183	REV X01
SHEET 30		OF 63	

CHANGE by Su Chun-Chi 22-Feb-2006

<http://hobi-elektronika.net>

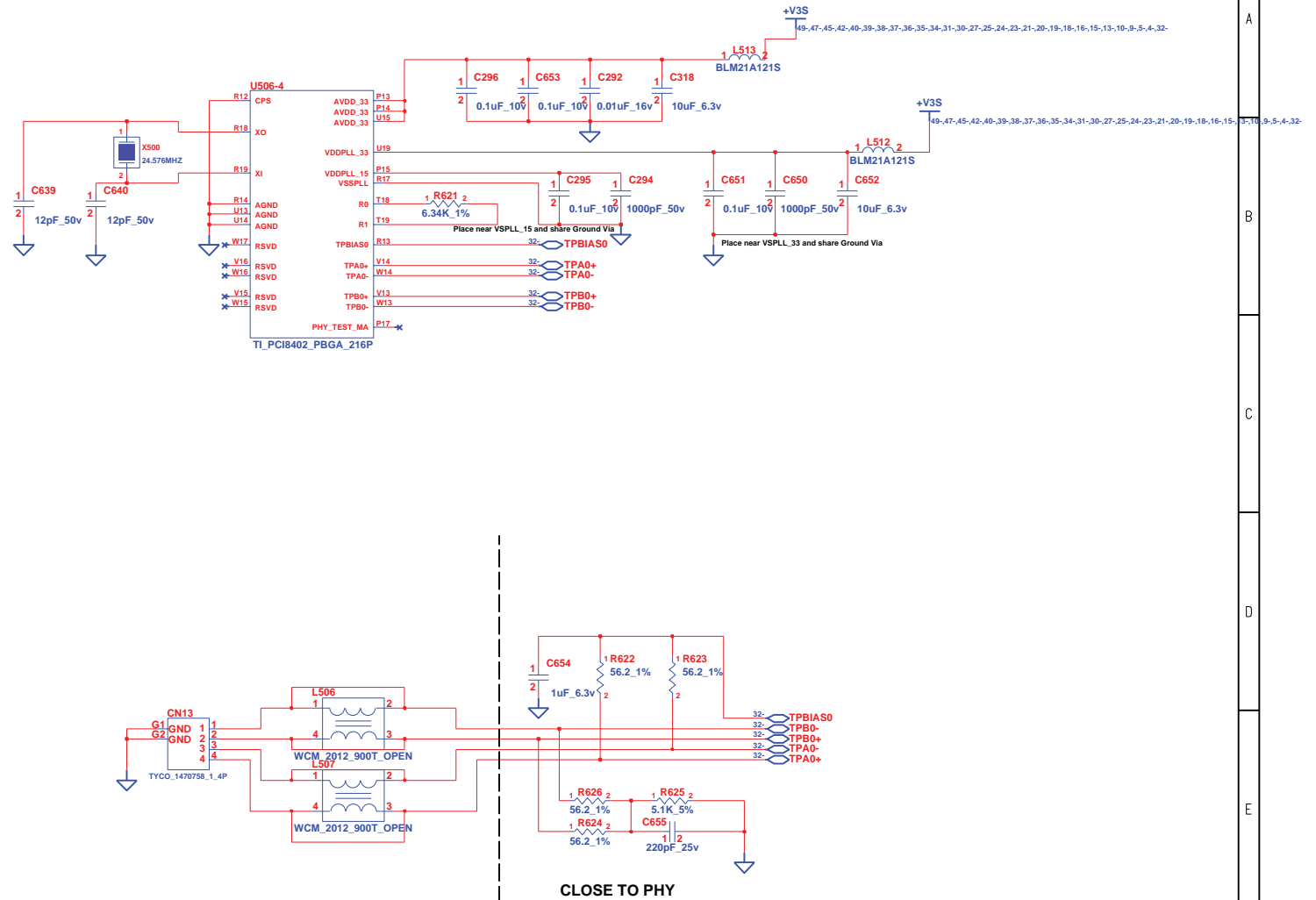


CIR



INVENTEC			
TITLE MW14-6.0			
CIR & IR			
SIZE A3	CODE CS	DOC. NUMBER LC5183	REV X01
CHANGE by <i>Su Chun-Chi</i>		5-Dec-2005	
SHEET 31		OF 63	

<http://hobi-elektronika.net>



CLOSE TO PHY

INVENTEC

TITLE **MW14-6.0**

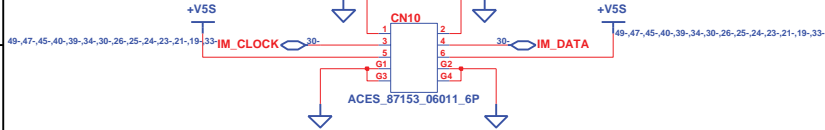
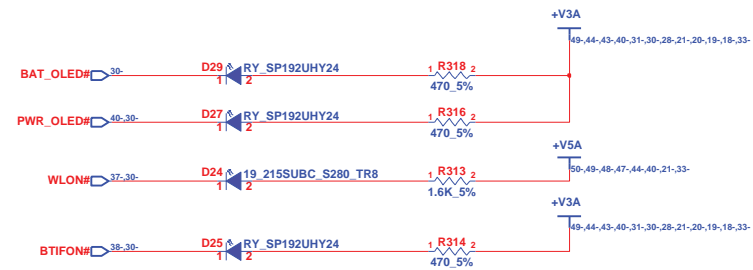
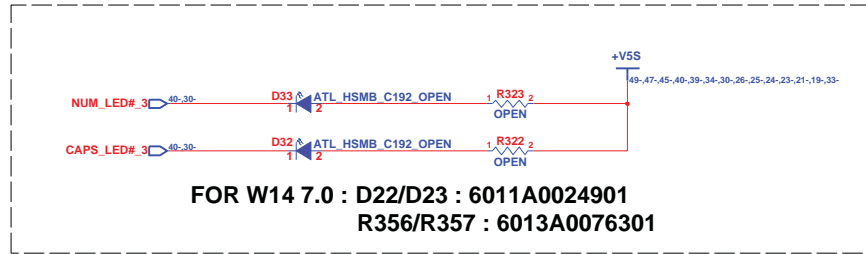
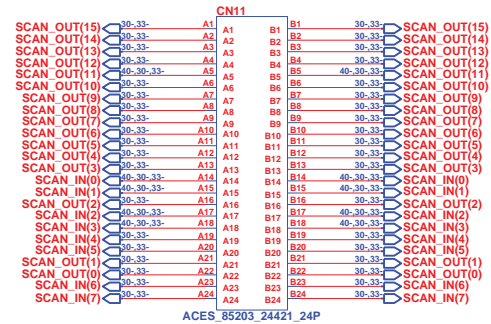
1394 CONTROLLER

SIZE	CODE	DOC. NUMBER	REV
A3	CS	LC5183	X01

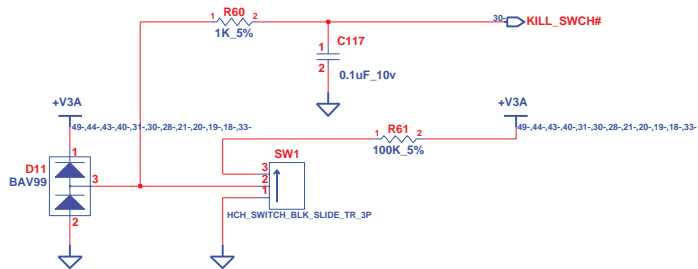
CHANGE by *Su Chun-Chi* 20-Feb-2006

SHEET 32 OF 63

<http://hobi-elektronika.net>



TO TOUCH PAD PAGE 63



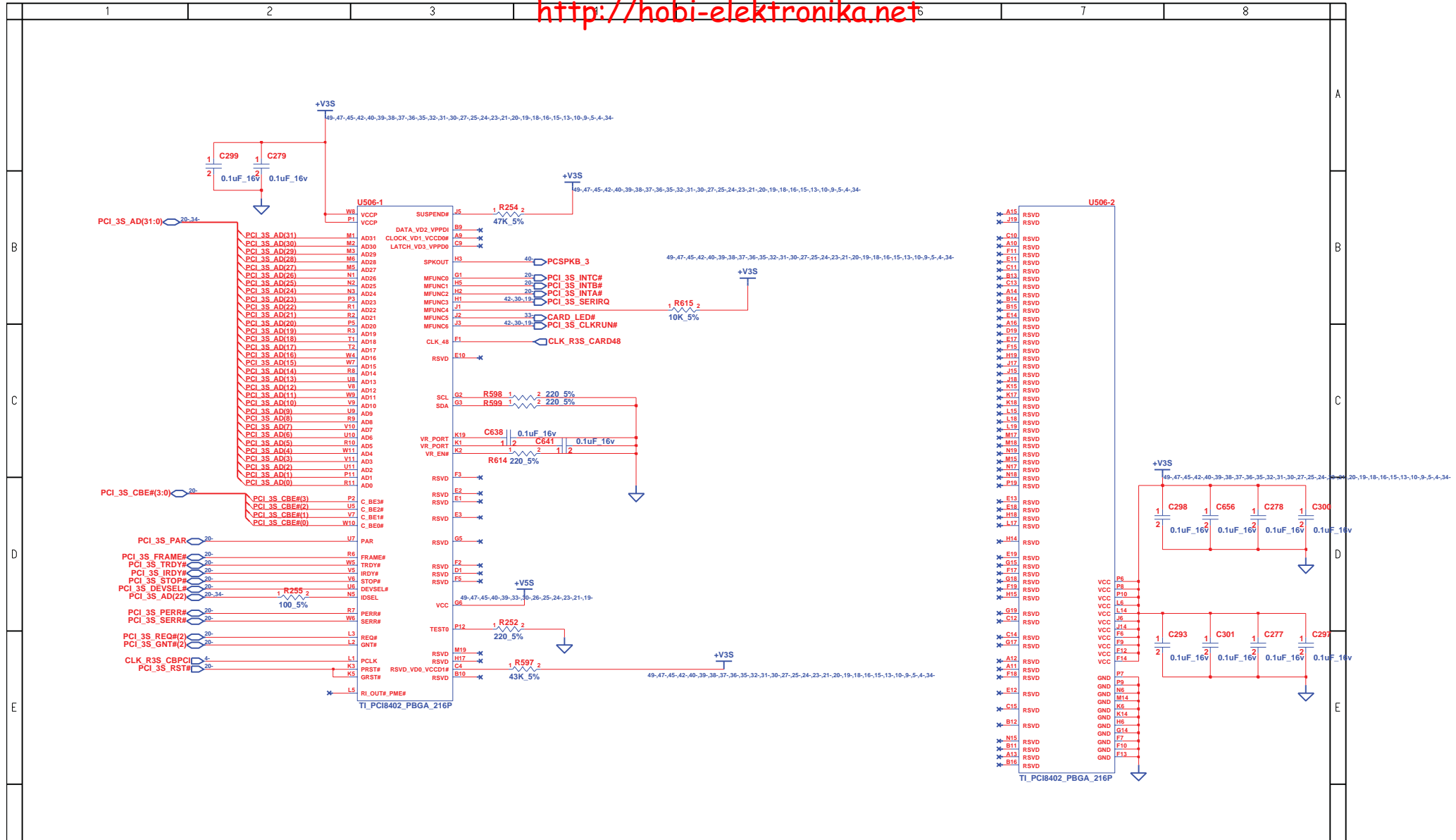
KILL SWITCH

INVENTEC

TITLE			
MW14-6.0			
KB I/F & TOUCH PAD & LED			
SIZE	CODE	DOC NUMBER	REV
A3	CS	LCS183	X01

CHANGE by Su Chun-Chi 22-Feb-2006

SHEET 33 OF 63



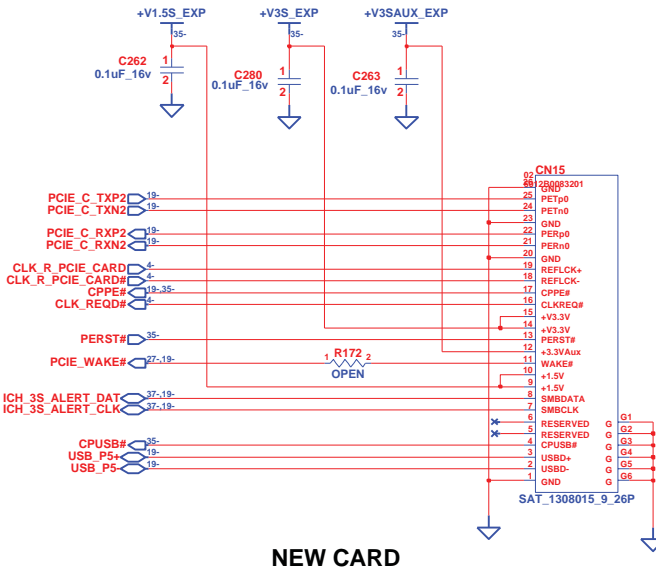
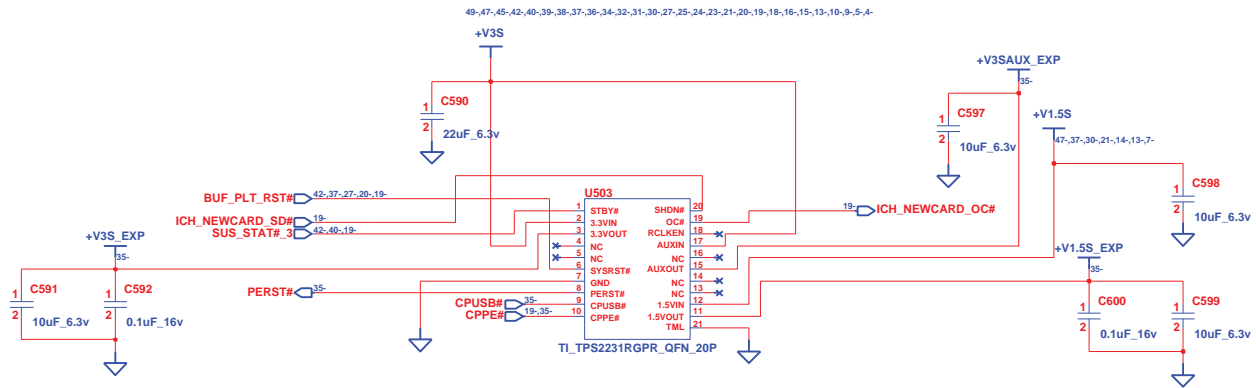
INVENTEC

TITLE **MW14-6.0**

CARD CONTROLLER

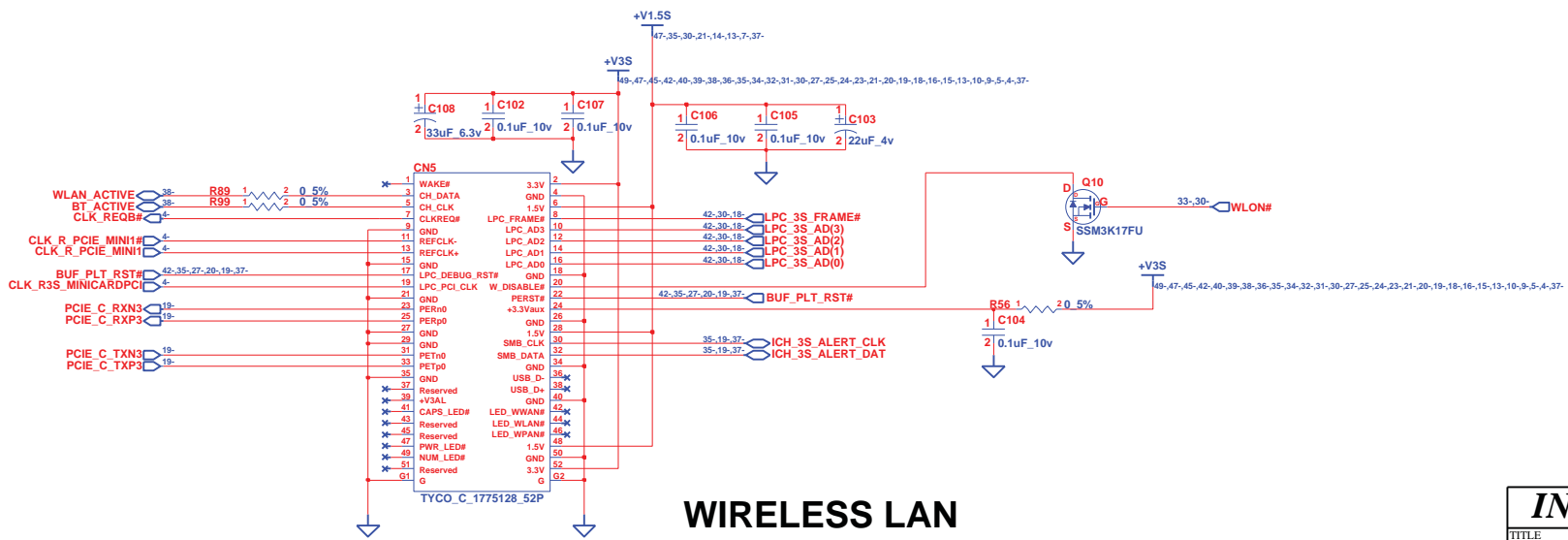
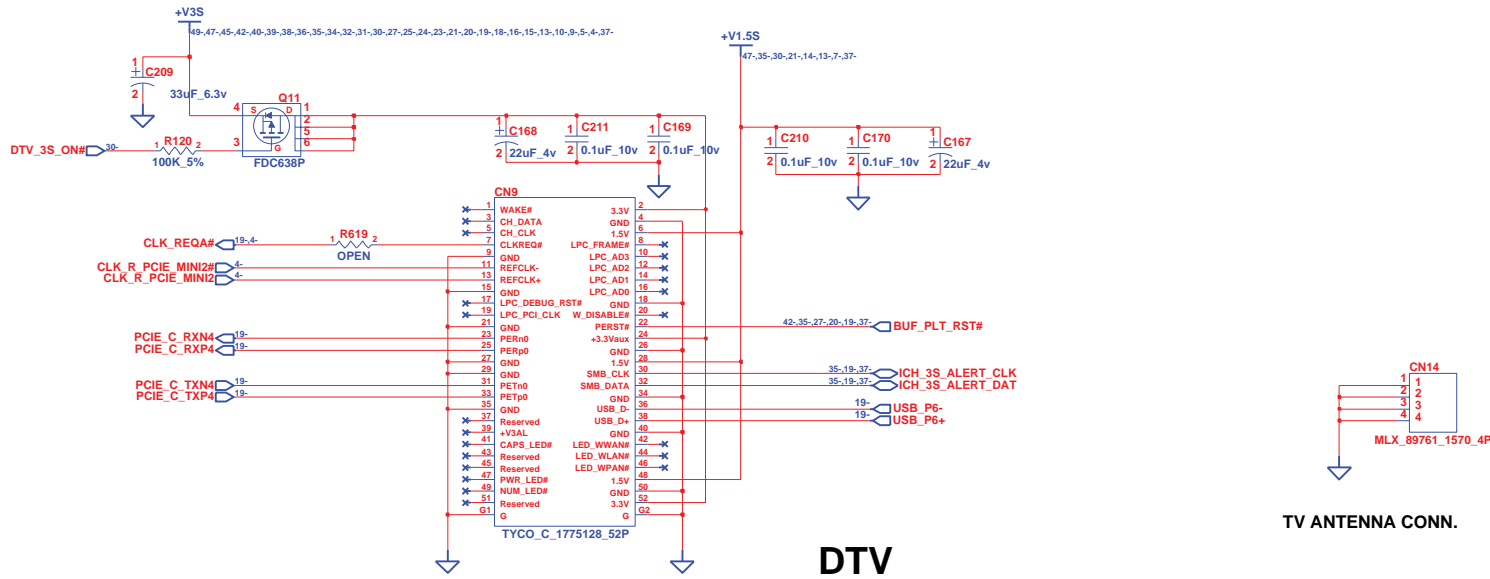
SIZE	CODE	DOC. NUMBER	REV
A3	CS	LC5183	X01

<http://hobi-elektronika.net>



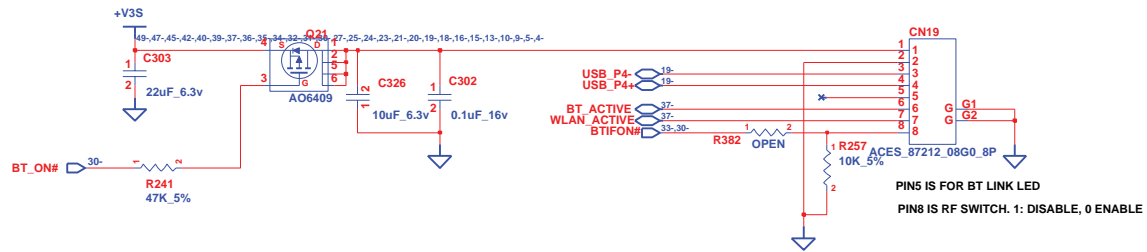
INVENTEC			
TITLE MW14-6.0			
NEW CARD			
SIZE A3	CODE CS	DOC. NUMBER LC5183	REV X01
CHANGE by <i>Su Chun-Chi</i>		14-Feb-2006	
SHEET 35		OF 63	

<http://hobi-elektronika.net>

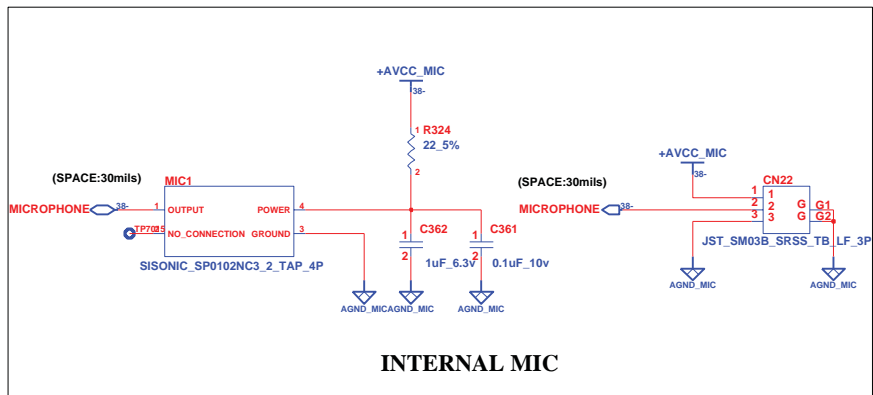


INVENTEC			
TITLE MW14-6.0			
MINI CARD			
SIZE A3	CODE CS	DOC NUMBER LC5183	REV X01
CHANGE by <i>Su Chun-Chi</i>		15-Nov-2005	
SHEET 37		OF 63	

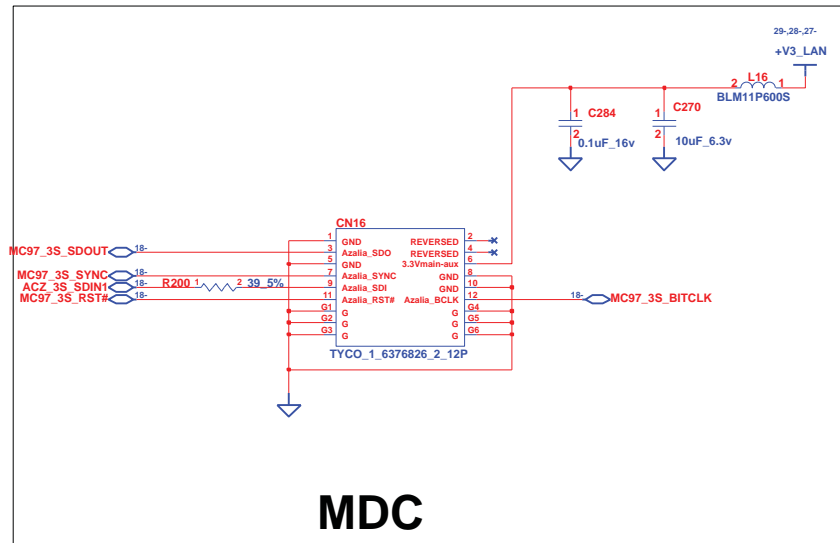
<http://hobi-elektronika.net>



BLUE TOOTH



INTERNAL MIC



MDC

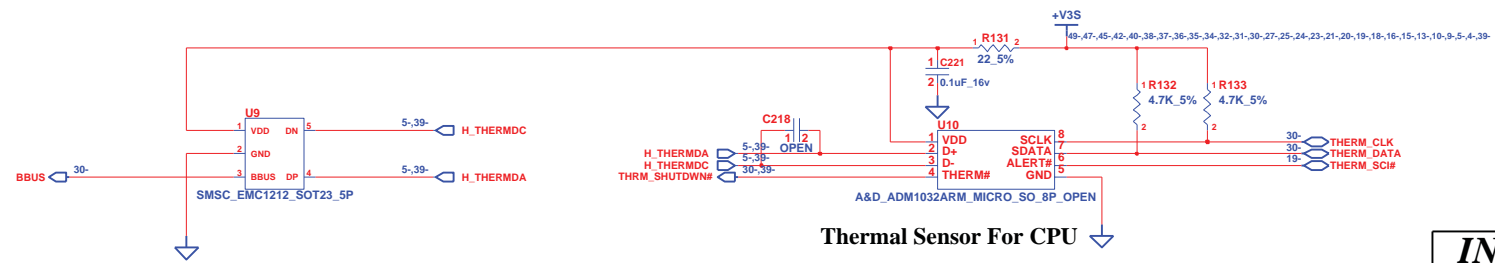
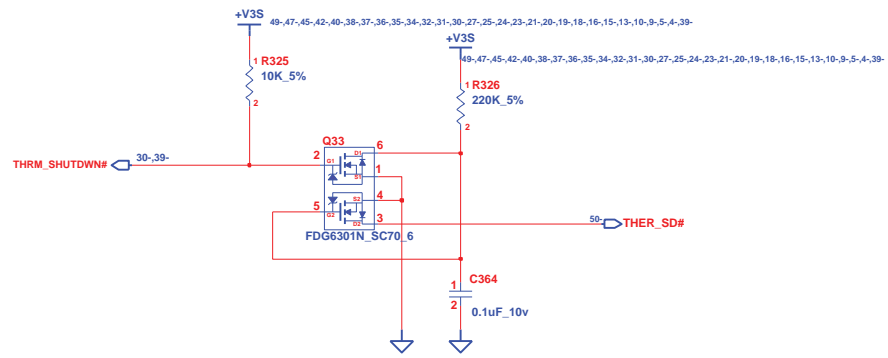
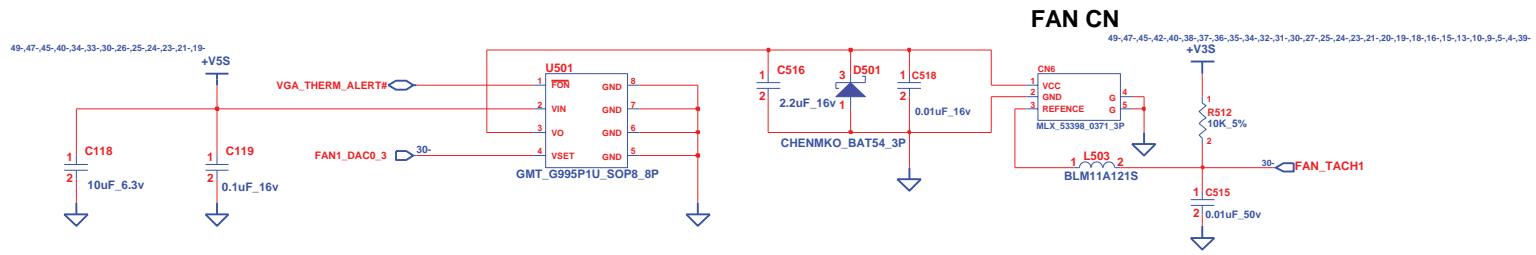
INVENTEC

TITLE			
MW14-6.0			
MDC I/F & Bluetooth			
SIZE	CODE	DOC NUMBER	REV
A3	CS	LC5183	X01

CHANGE by Su Chun-Chi 28-Dec-2005

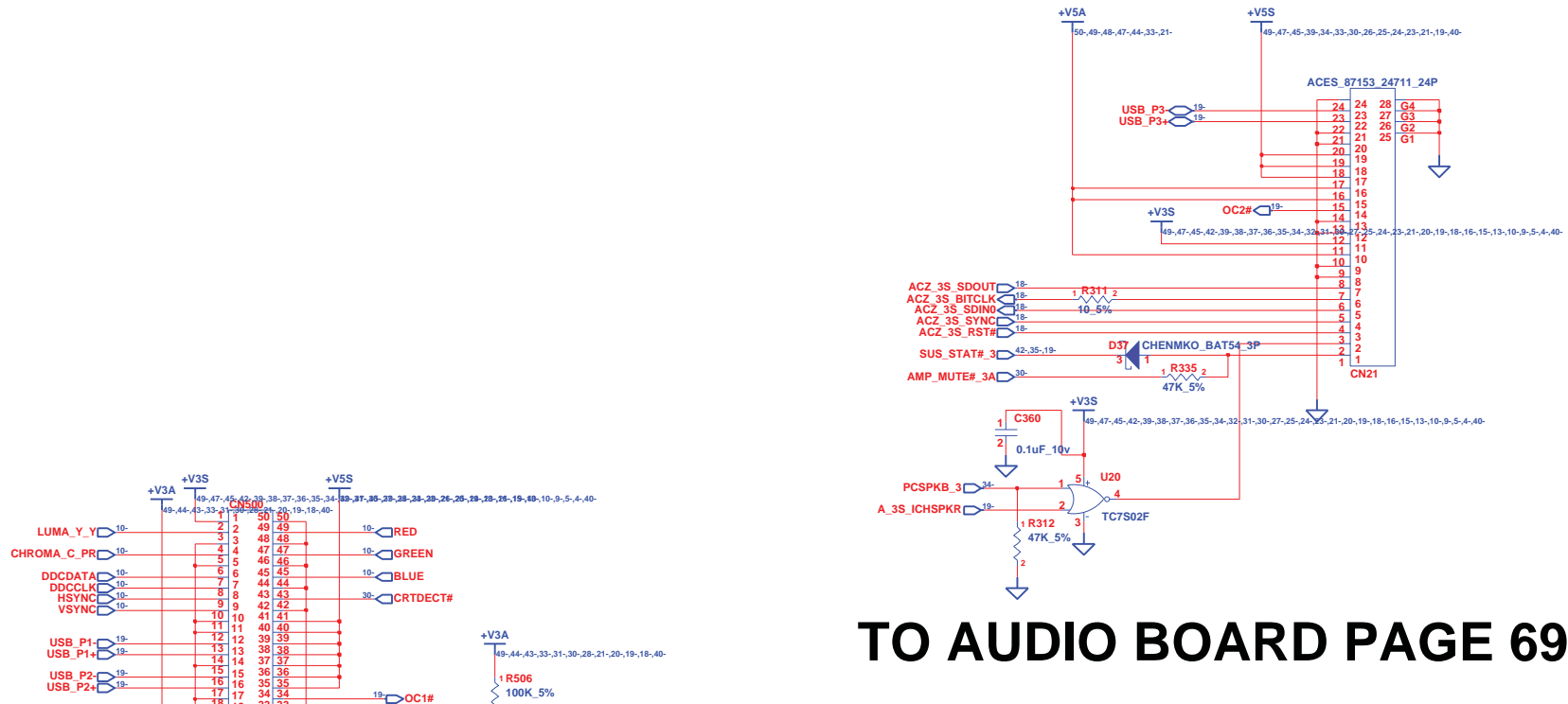
SHEET 38 OF 63

<http://hobi-elektronika.net>



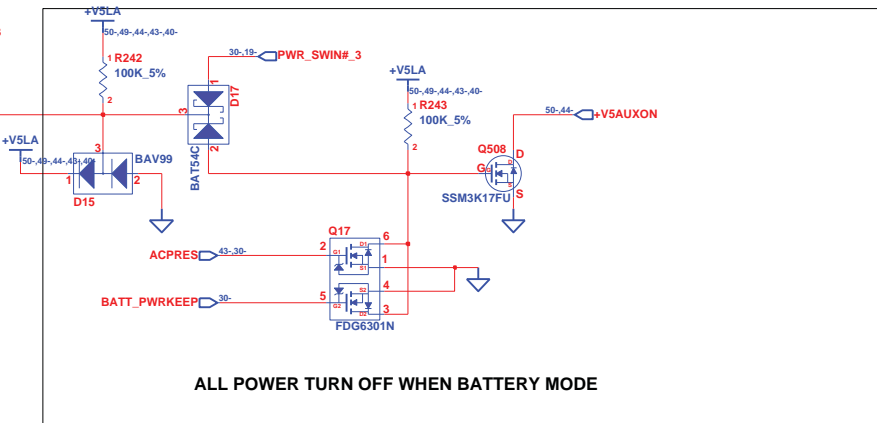
Thermal Sensor For CPU

INVENTEC			
TITLE MW14-6.0			
THERMAL SENSOR & FAN			
SIZE A3	CODE CS	DOC. NUMBER LC5183	REV X01
CHANGE by <i>Su Chun-Chi</i>		7-Nov-2005	
SHEET 39		OF 63	



TO IO BOARD PAGE 62

TO AUDIO BOARD PAGE 69

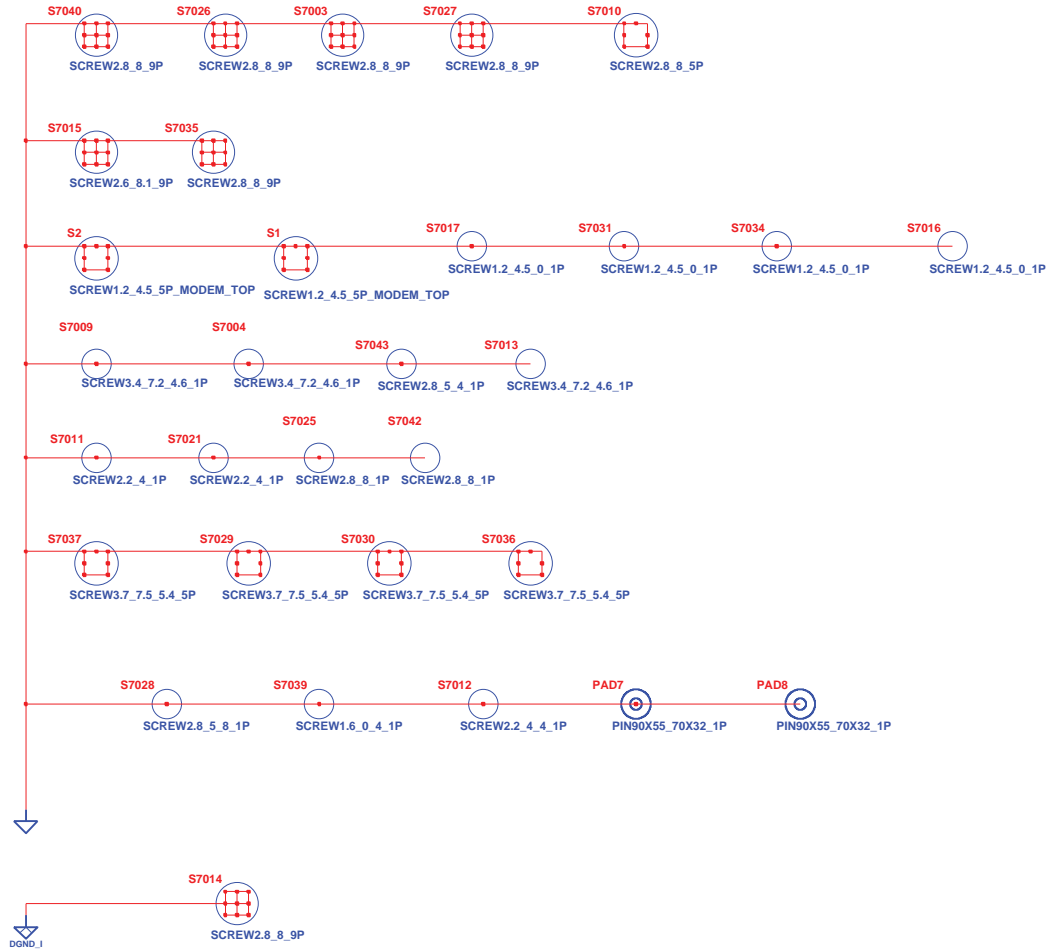


ALL POWER TURN OFF WHEN BATTERY MODE

INVENTEC

TITLE			
MW14-6.0			
I/O BOARD-C			
SIZE	CODE	DOC. NUMBER	REV
A3	CS	LC5183	X01
SHEET		40	OF 63

<http://hobi-elektronika.net>



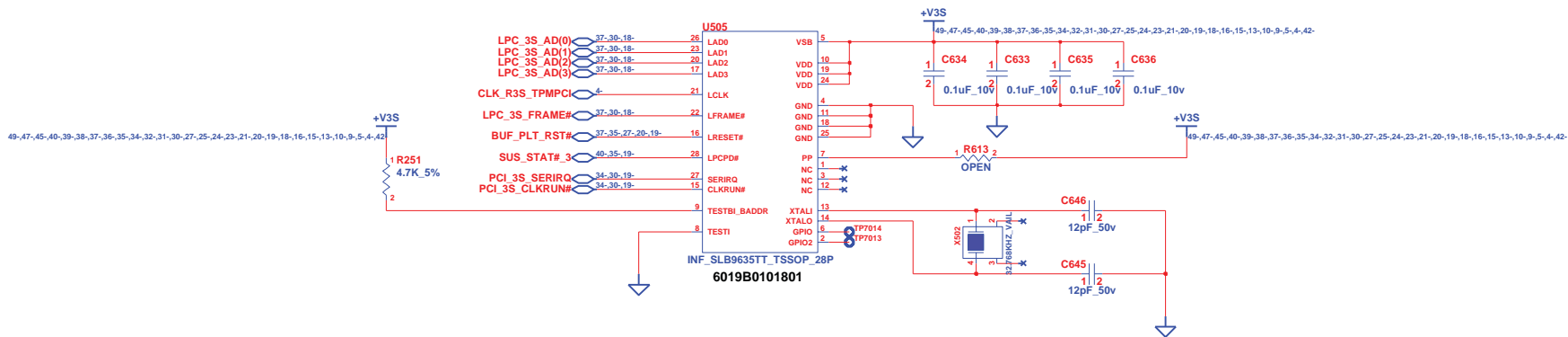
- FIX7017
FIX_MASK
- FIX7002
FIX_MASK
- FIX7023
FIX_MASK
- FIX7024
FIX_MASK
- FIX7018
FIX_MASK
- FIX7003
FIX_MASK

INVENTEC

TITLE			
MW14-6.0			
Drill Hole			
SIZE	CODE	DOC. NUMBER	REV
A3	CS	LC5183	X01
SHEET		OF	
8		63	

CHANGE by *Su Chun-Chi* 7-Nov-2005

<http://hobi-elektronika.net>



INVENTEC

TITLE **MW14-6.0**

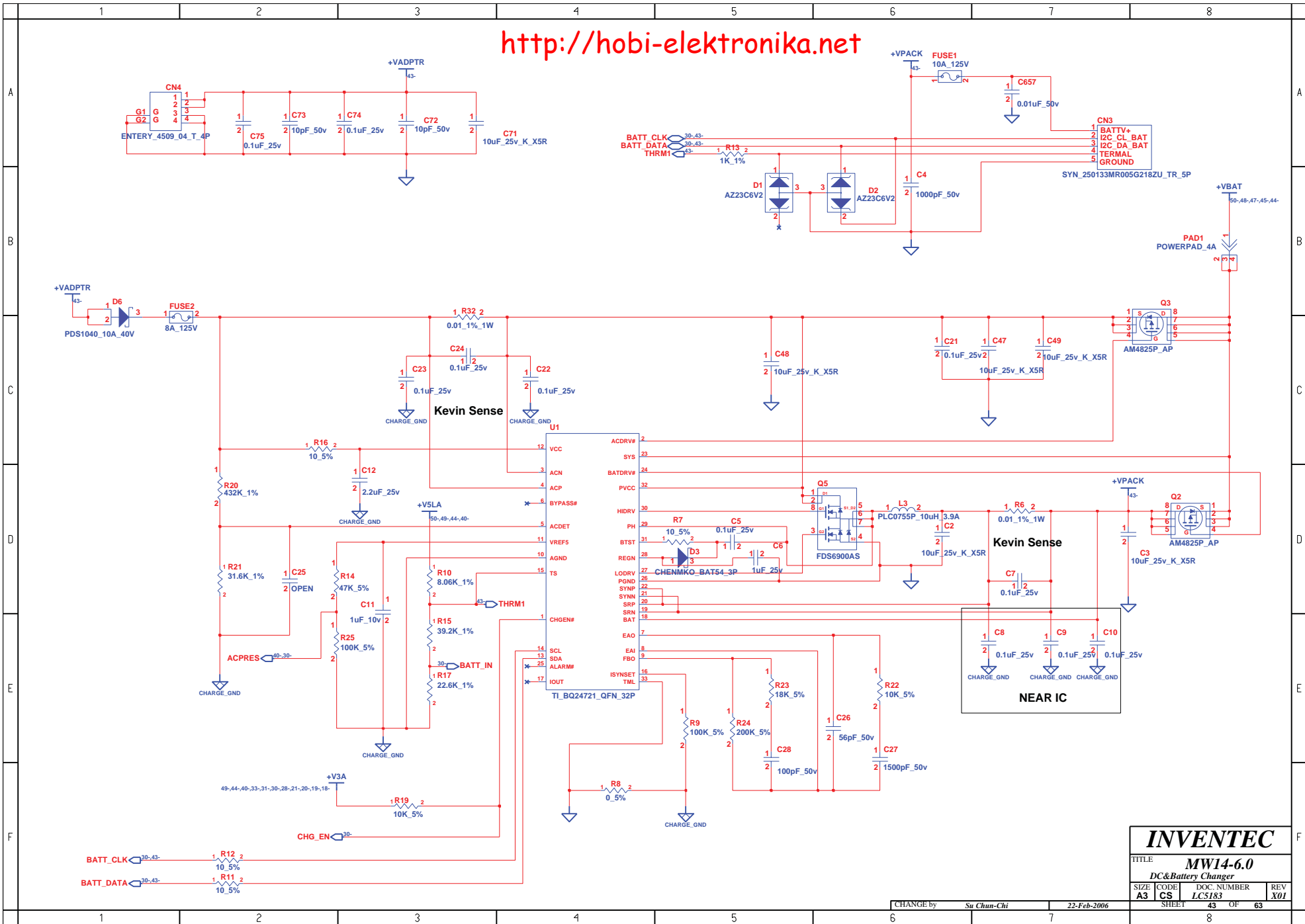
TPM 1.2

SIZE A3	CODE CS	DOC. NUMBER LC5183	REV X01
-------------------	-------------------	------------------------------	-------------------

CHANGE by *Su Chun-Chi* 26-Feb-2006

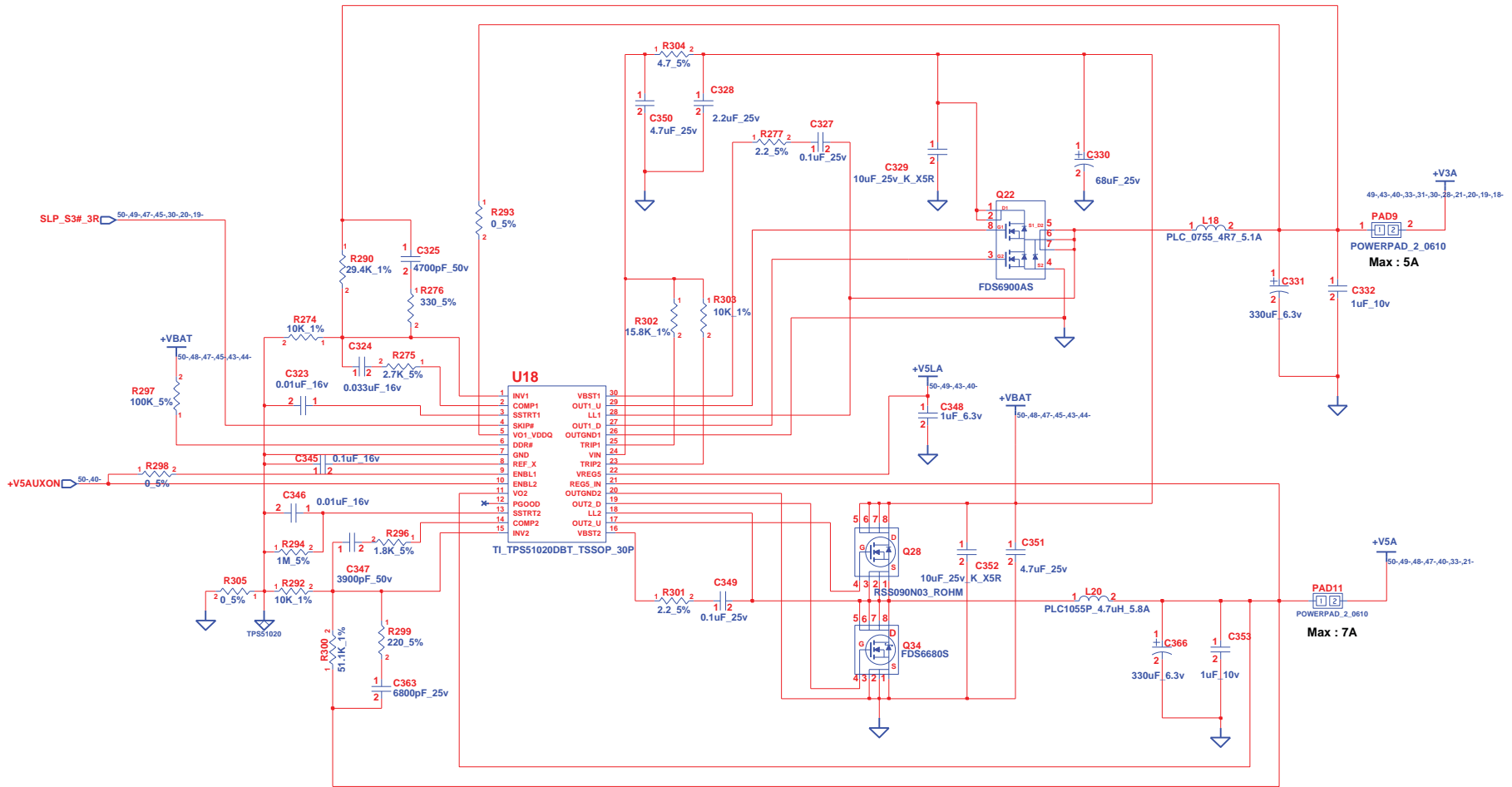
SHEET 42 OF 63

<http://hobi-elektronika.net>



INVENTEC			
TITLE MW14-6.0			
DC & Battery Charger			
SIZE A3	CODE CS	DOC. NUMBER LC5183	REV X01
CHANGE by Su Chun-Chi		22-Feb-2006	
SHEET 43		OF 63	

<http://hobi-elektronika.net>



INVENTEC

TITLE **MW14-6.0**
System Power (+V3A, +V5A)

SIZE A3	CODE CS	DOC NUMBER LC5183	REV X01
----------------	----------------	--------------------------	----------------

CHANGE by *Su Chun-Chi* 15-Feb-2006

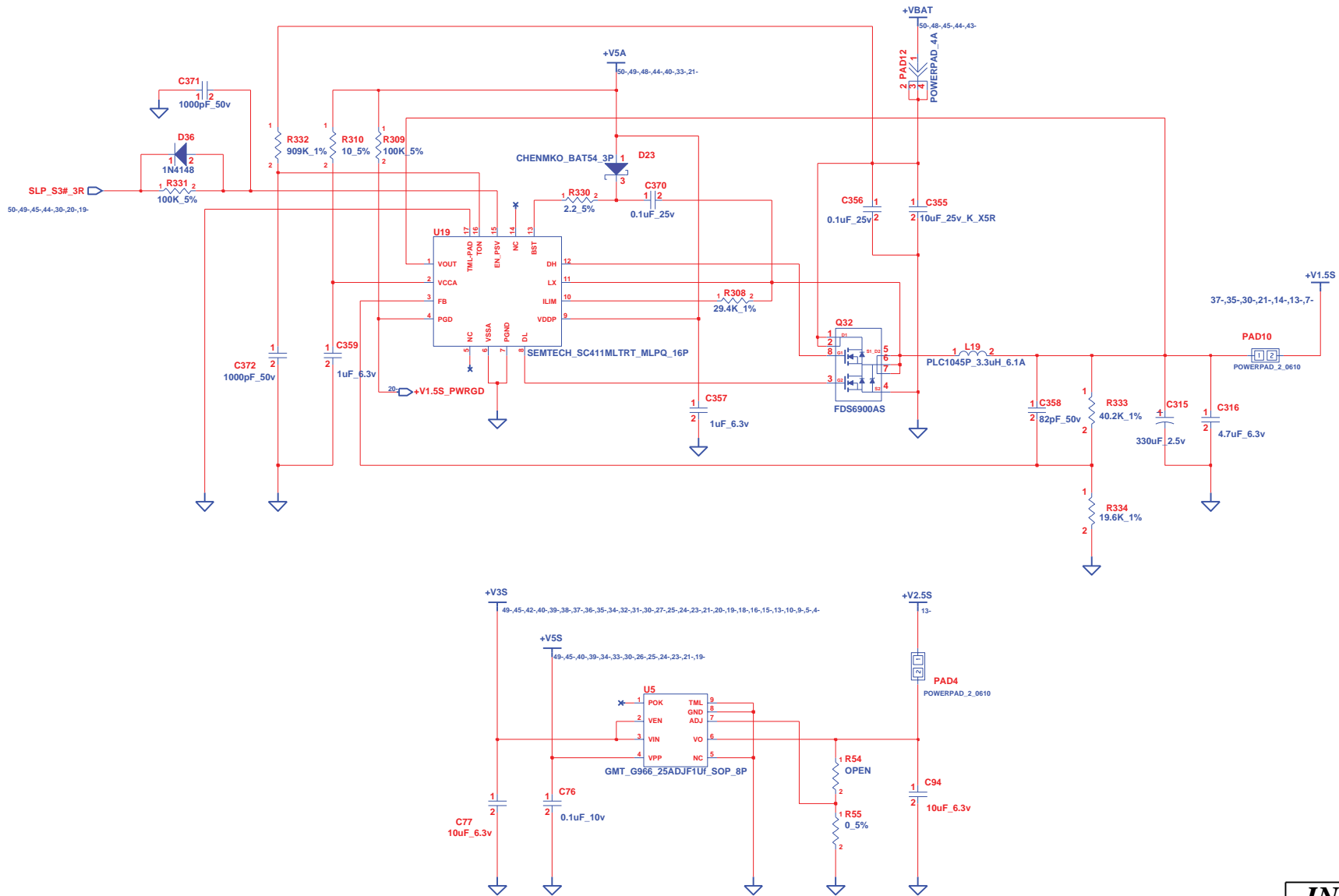
SHEET 44 OF 63

<http://hobi-elektronika.net>

	1	2	3	4	5	6	7	8	
A									A
B									B
C									C
D									D
E									E
F									F
	1	2	3	4	5	6	7	8	

INVENTEC			
TITLE			
MW14-6.0			
System Power (+VGAVCC)			
SIZE	CODE	DOC. NUMBER	REV
A3	CS	LC5183	X01
CHANGE by		9-Oct-2003	
Su Chun-Chi			
SHEET		46	OF 63
		8	

<http://hobi-elektronika.net>

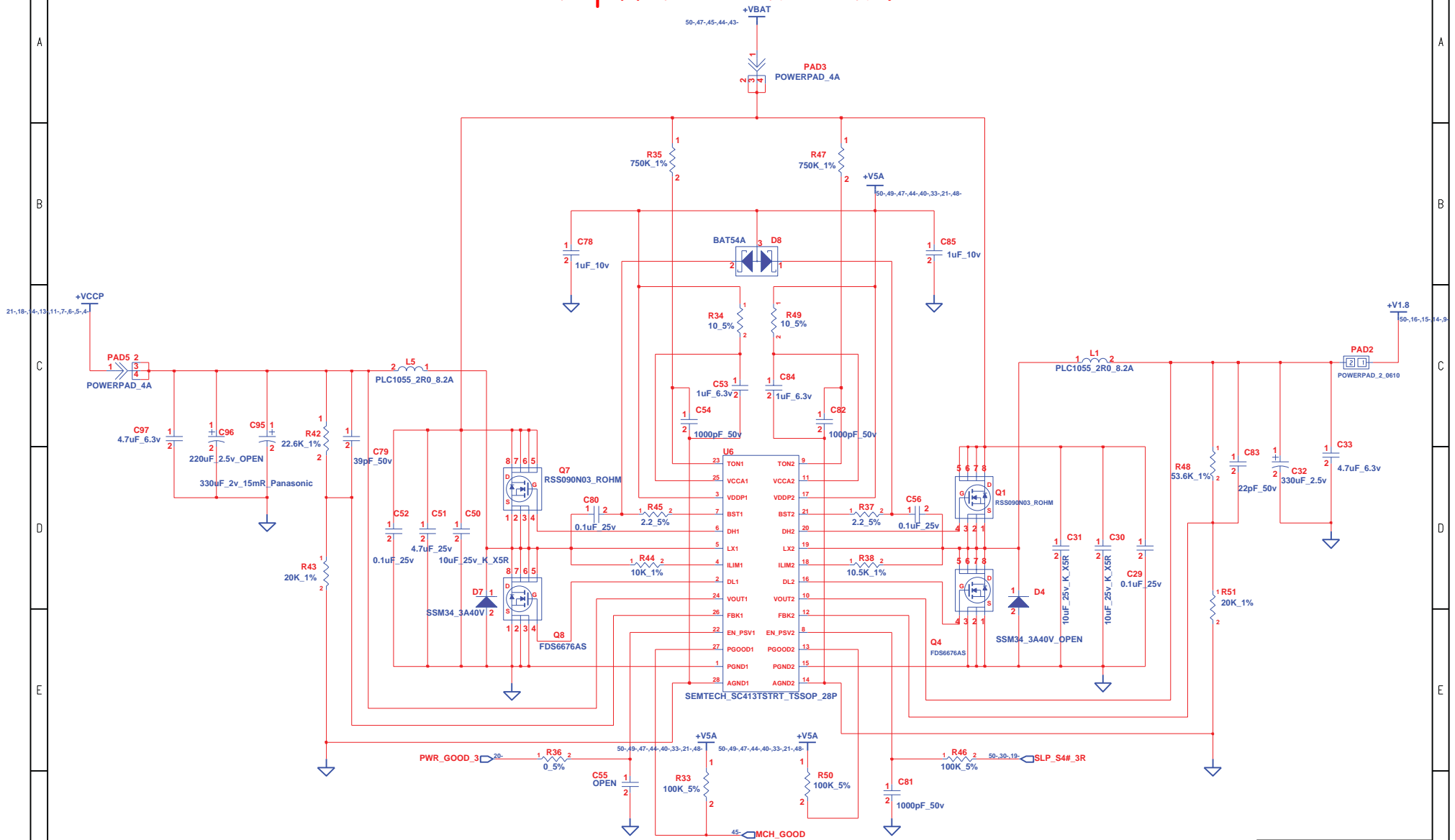


INVENTEC

TITLE			
MW14-6.0			
System Power (+VCCP)			
SIZE	CODE	DOC. NUMBER	REV
A3	CS	LC5183	X01
SHEET		47	OF 63

CHANGE by Su Chun-Chi 27-Dec-2005

<http://hobi-elektronika.net>

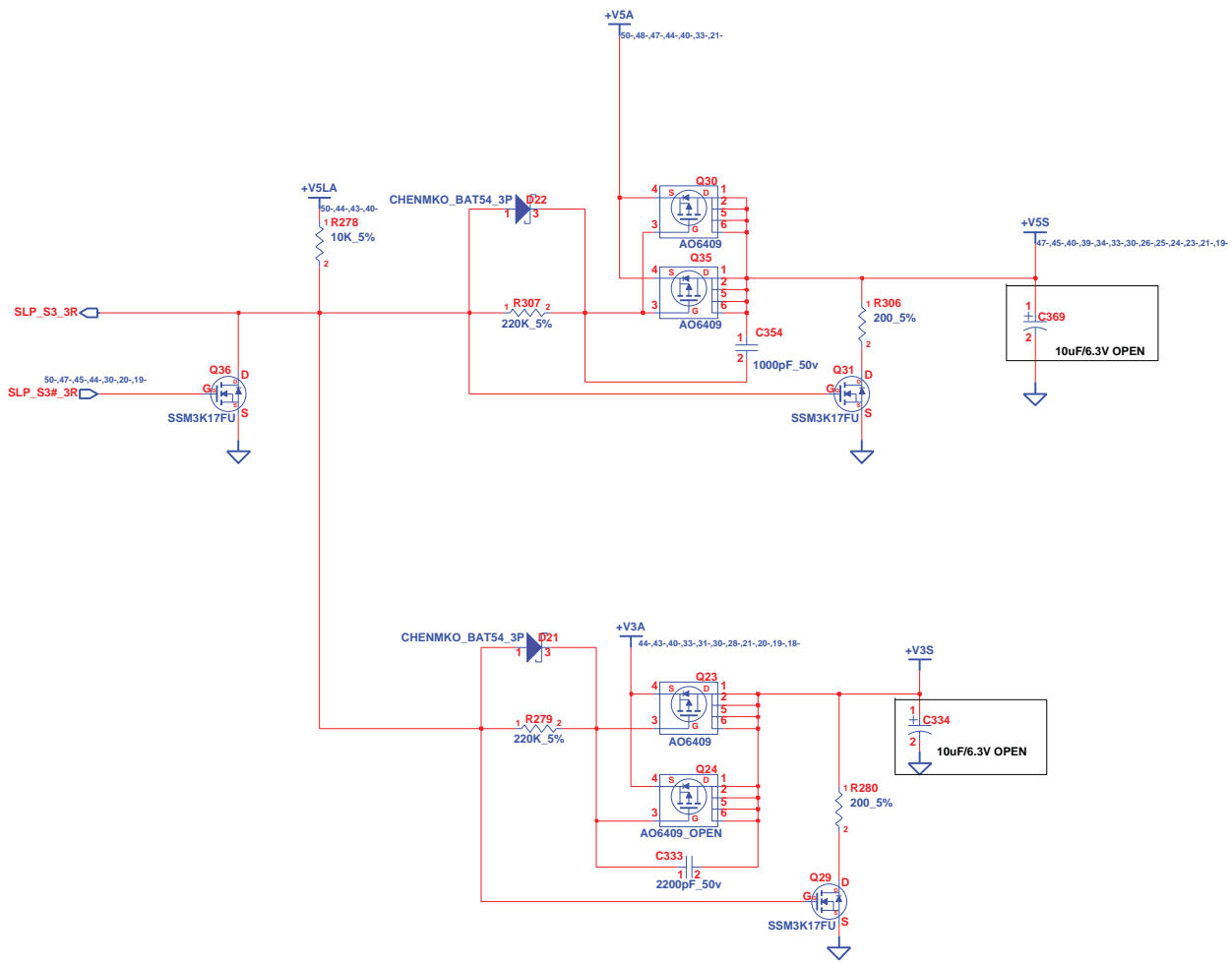


INVENTEC			
TITLE MW14-6.0			
System Power (+V1.8 +V1.5S)			
SIZE	CODE	DOC. NUMBER	REV
A3	CS	LCS183	X01

CHANGE by *Su Chan-Chi* 10-Dec-2005

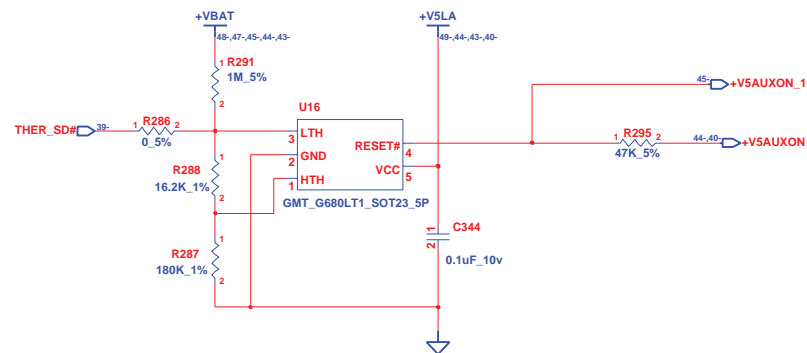
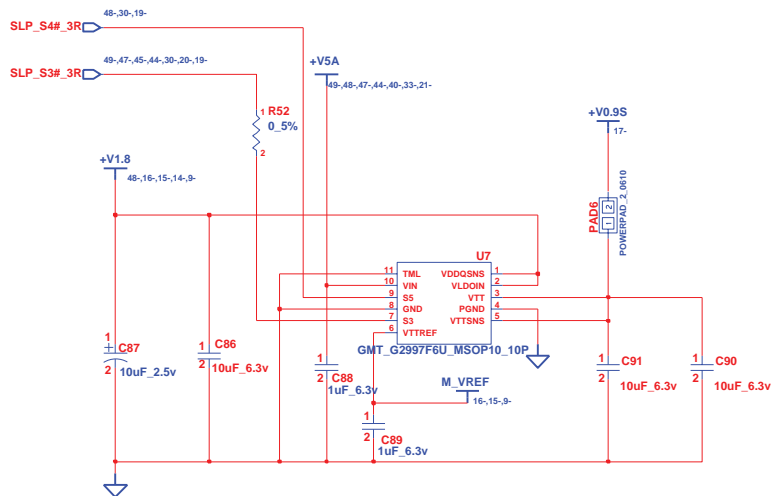
SHEET 48 OF 63

<http://hobi-elektronika.net>



INVENTEC			
TITLE MW14-6.0			
Power (Sequence)			
SIZE	CODE	DOC. NUMBER	REV
A3	CS	LC5183	X01
CHANGE by <i>Su Chun-Chi</i>		7-Nov-2005	
SHEET 49		OF 63	

<http://hobi-elektronika.net>



INVENTEC

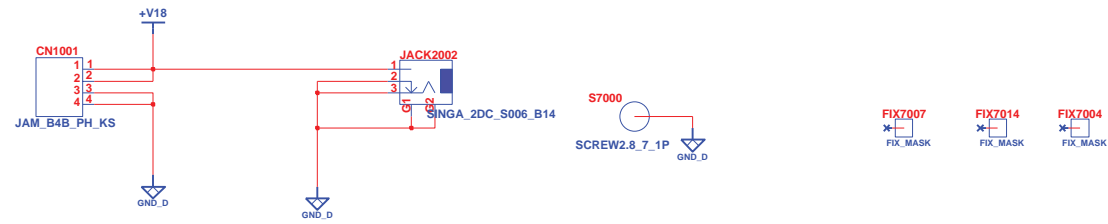
TITLE
MW14-6,0
System Power

SIZE A3	CODE CS	DOC. NUMBER LC5183	REV X01
-------------------	-------------------	------------------------------	-------------------

CHANGE by *Su Chun-Chi* 22-Feb-2006

SHEET 50 OF 63

<http://hobi-elektronika.net>

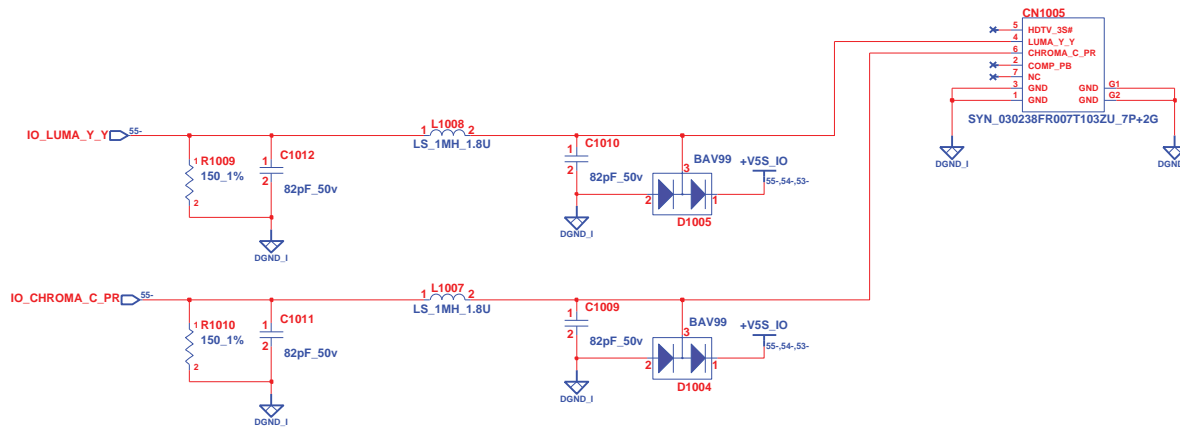


DC IN BOARD 1/1

INVENTEC

TITLE			
MW14-6.0			
DC-IN			
SIZE	CODE	DOC. NUMBER	REV
A3	CS	LC5183	X01
CHANGE by		Su Chun-Chi	28-Dec-2005
SHEET		51	OF 63

<http://hobi-elektronika.net>

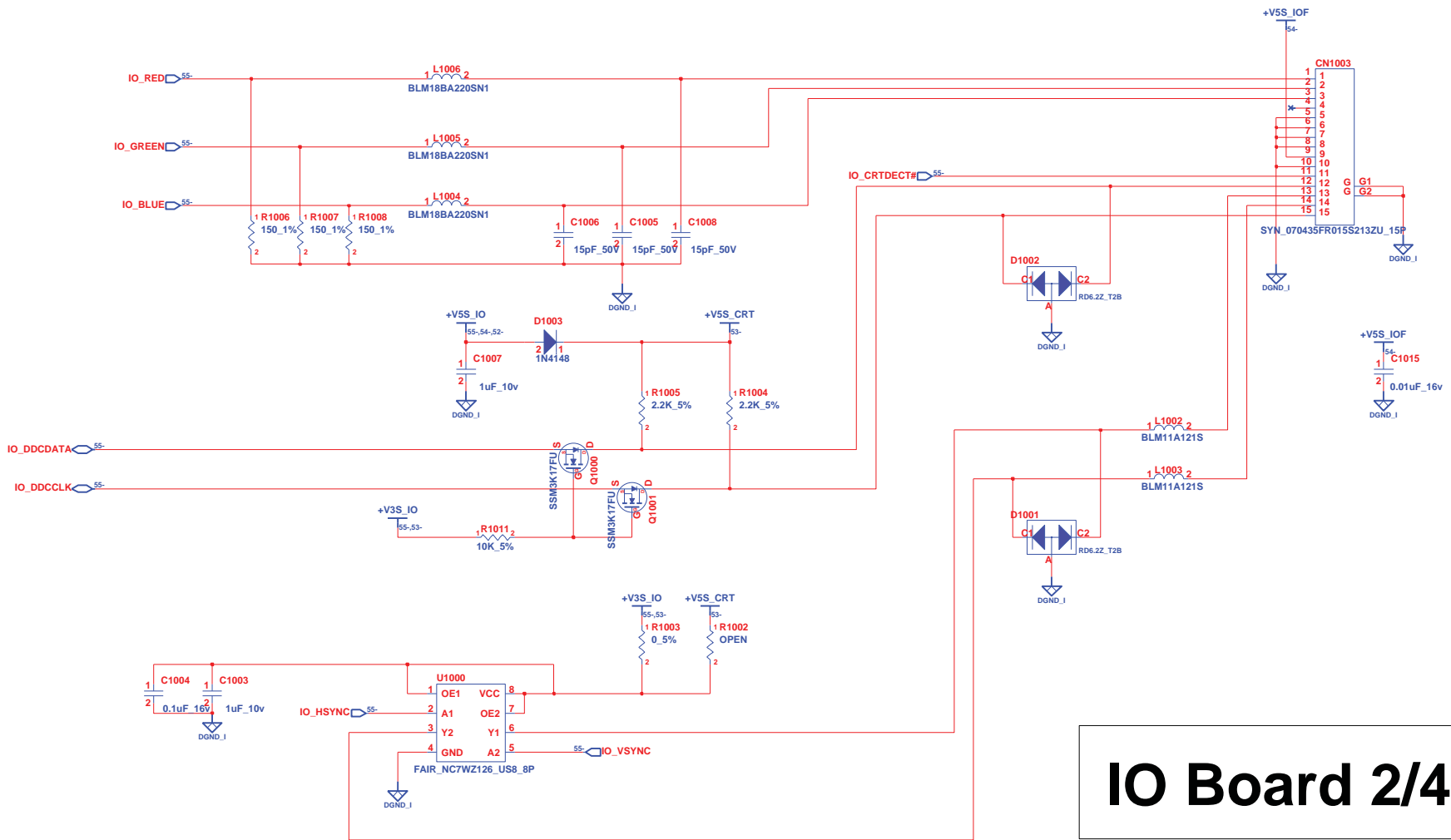


IO BOARD 1/4

INVENTEC

TITLE			
MW14-6,0			
IO BOARD-1			
SIZE	CODE	DOC. NUMBER	REV
A3	CS	LC5183	X01
CHANGE by		Su Chun-Chi	7-Nov-2005
SHEET		52	OF 63

<http://hobi-elektronika.net>



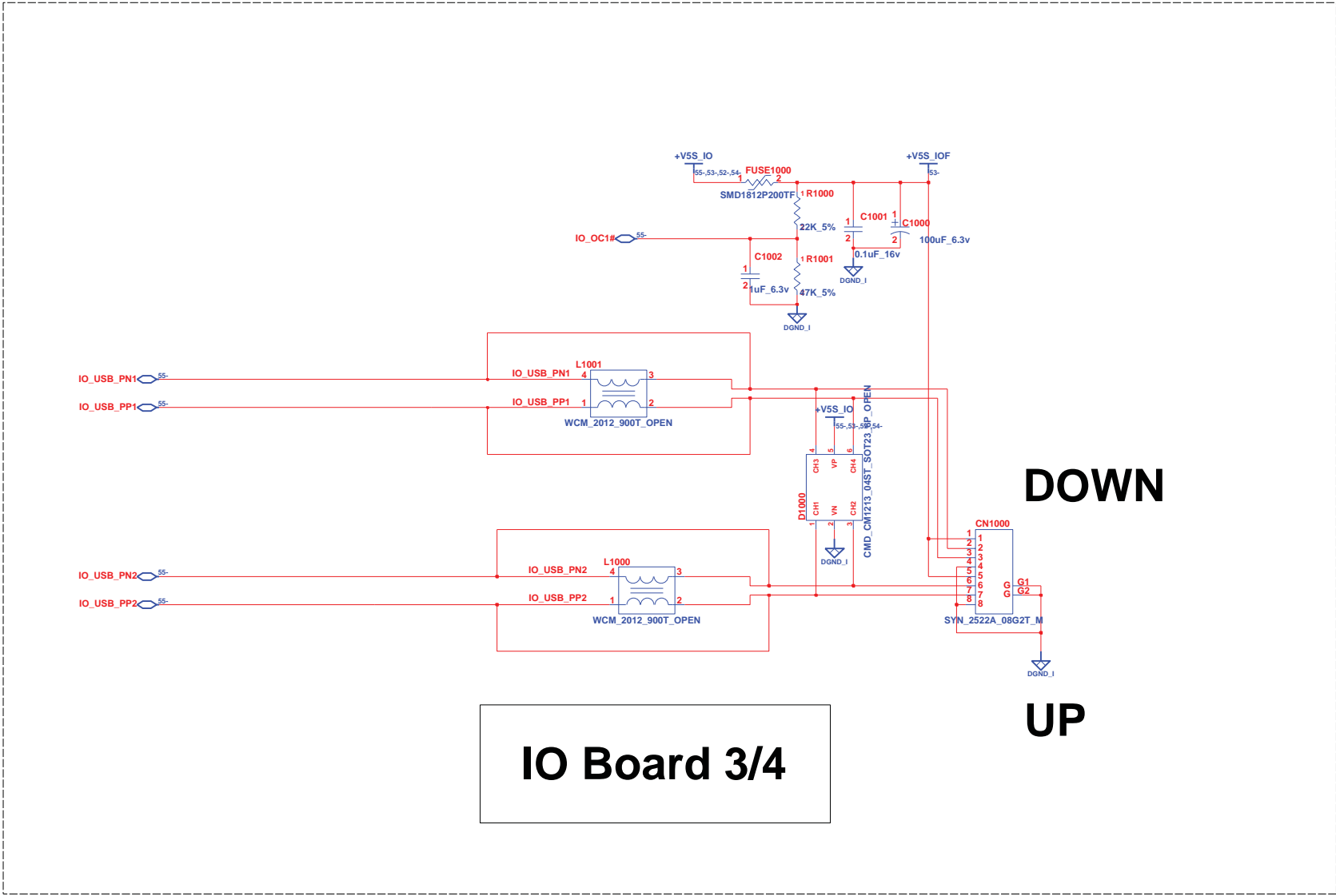
IO Board 2/4

INVENTEC

TITLE			
MW14-6.0			
IO BOARD-2			
SIZE	CODE	DOC. NUMBER	REV
A3	CS	LC5183	X01
CHANGE by		SHEET	OF
Su Chun-Chi		53	63

14-Feb-2006

<http://hobi-elektronika.net>



DOWN

UP

IO Board 3/4

INVENTEC

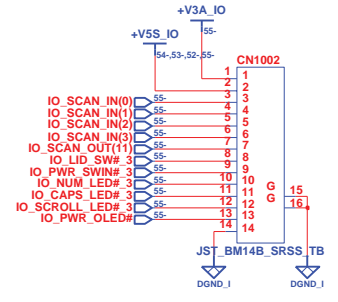
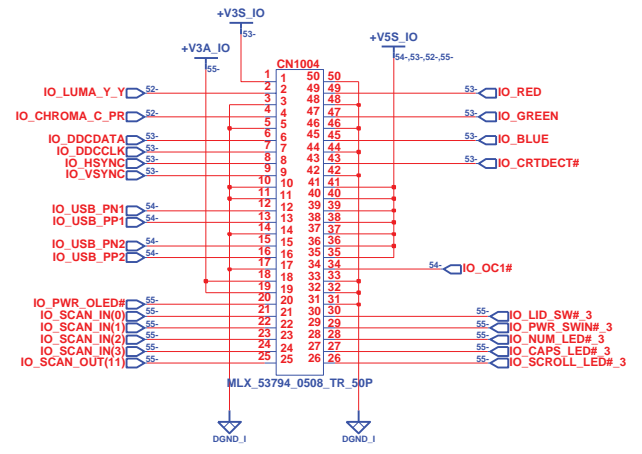
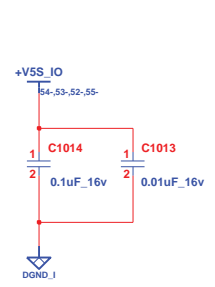
TITLE
MW14-6,0
IO BOARD-3

SIZE A3	CODE CS	DOC. NUMBER LC5183	REV X01
------------	------------	-----------------------	------------

CHANGE by Su Chun-Chi 28-Dec-2005

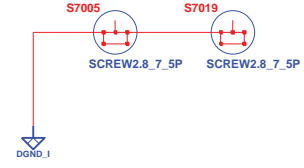
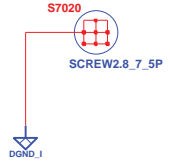
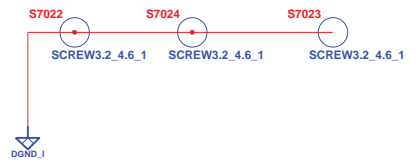
SHEET 54 OF 63

<http://hobi-elektronika.net>



TO MB PAGE 47

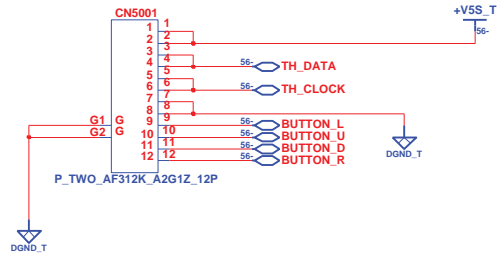
TO HOTKEY/B PAGE 66



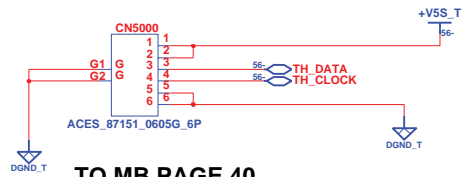
IO BOARD 4/4

INVENTEC			
TITLE MW14-6.0 I/O BOARD -4			
SIZE A3	CODE CS	DOC. NUMBER LC5183	REV X01
CHANGE by <i>Su Chun-Chi</i>		29-Dec-2005	
SHEET 55		OF 63	

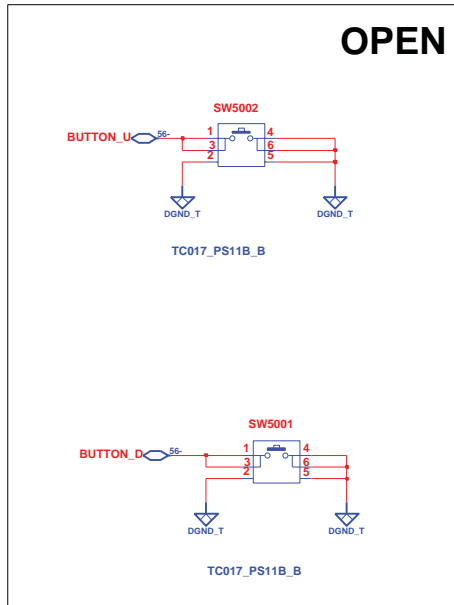
<http://hobi-elektronika.net>



TO TOUCH PAD



TO MB PAGE 40



FIXZ016
FIX_MASK

FIXZ011
FIX_MASK

FIXZ015
FIX_MASK

FIXZ010
FIX_MASK

TOUCH PAD BUTTON BOARD 1/1

INVENTEC

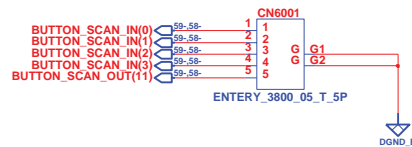
TITLE
MW14-6,0
TOUCH PAD

SIZE A3	CODE CS	DOC. NUMBER LC5183	REV X01
------------	------------	-----------------------	------------

CHANGE by Su Chun-Chi 28-Dec-2005

SHEET 56 OF 63

<http://hobi-elektronika.net>



TO OPTION HOTKEY/B PAGE67

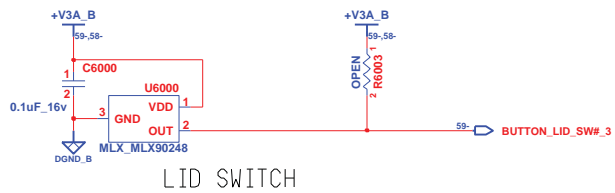
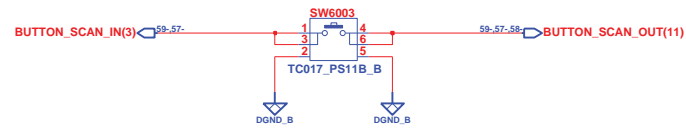
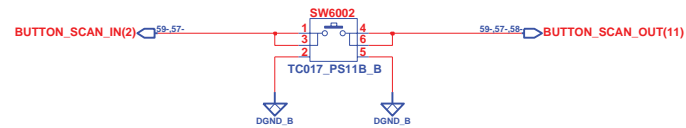
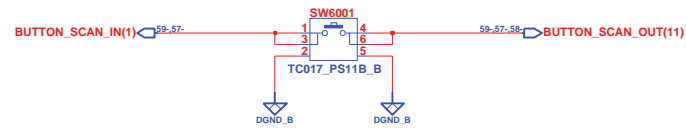
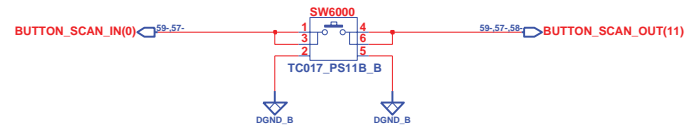
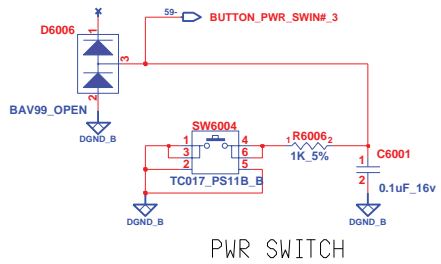
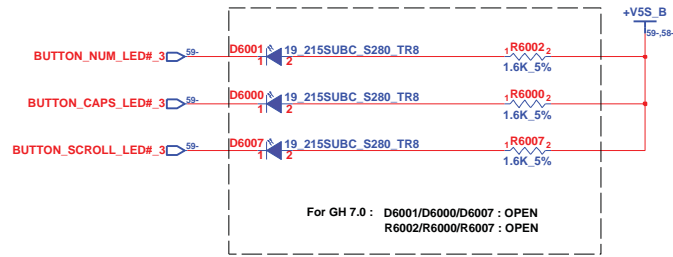
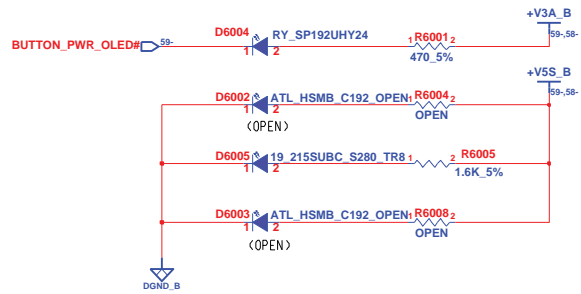
HOTKEY BOARD 1/3

INVENTEC

TITLE			
MW14-6.0			
OPTION HOTKEY			
SIZE	CODE	DOC. NUMBER	REV
A3	CS	LC5183	X01
SHEET		OF	
57		63	

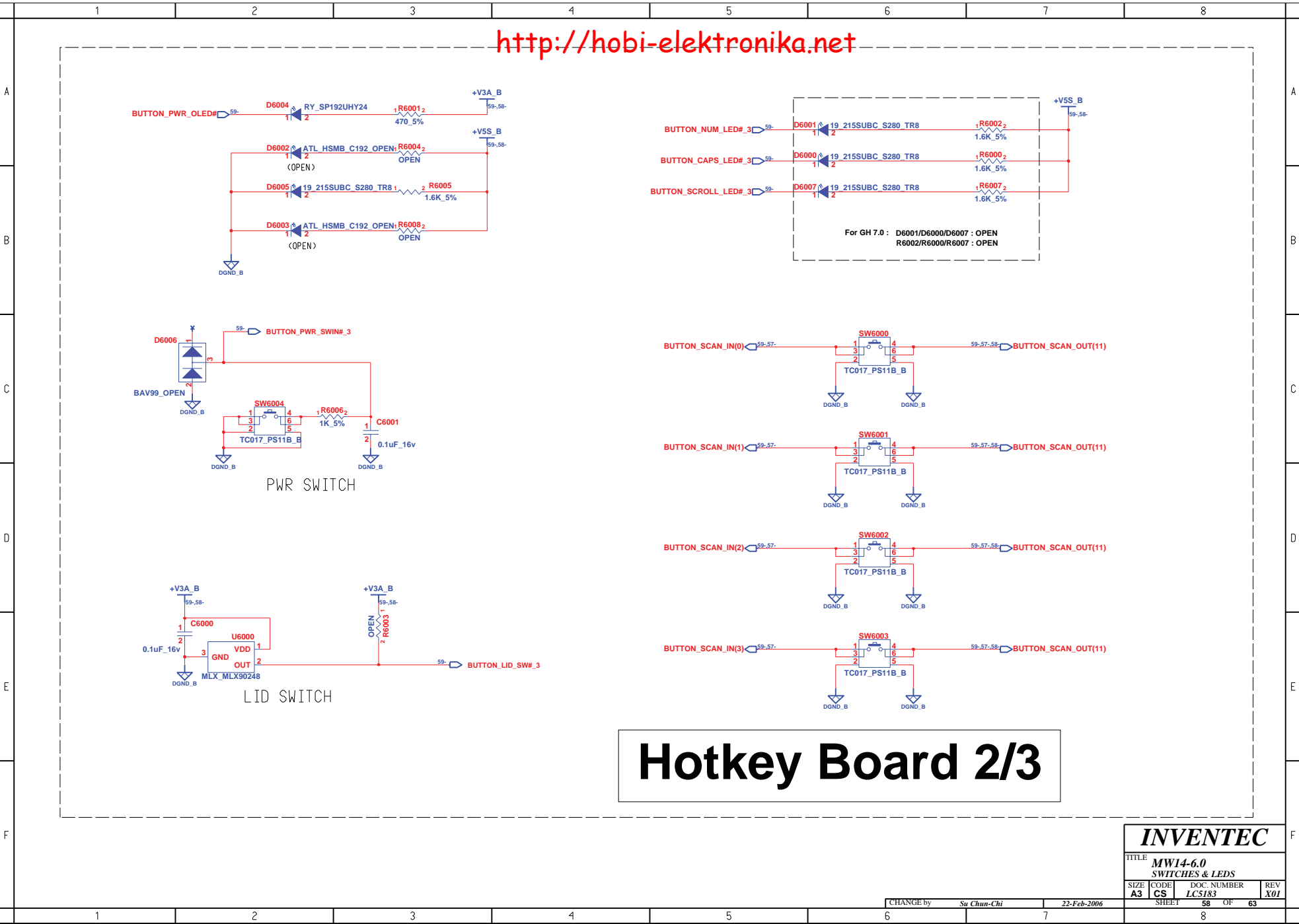
CHANGE by Su Chun-Chi 7-Nov-2005

<http://hobi-elektronika.net>

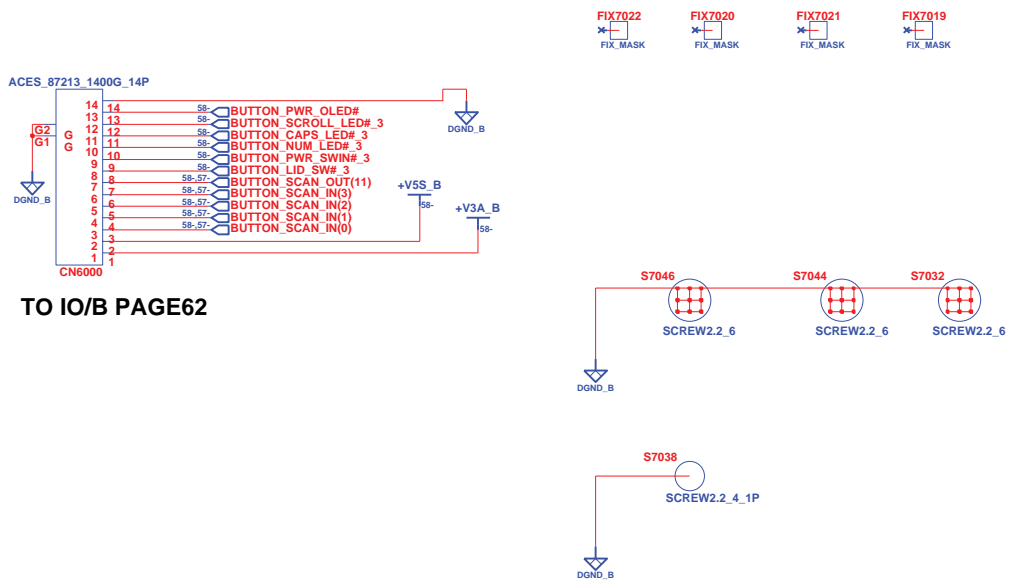


Hotkey Board 2/3

INVENTEC			
TITLE MW14-6.0 SWITCHES & LEDS			
SIZE A3	CODE CS	DOC. NUMBER LC5183	REV X01
CHANGE by Su Chun-Chi		22-Feb-2006	
SHEET		OF	63
		8	



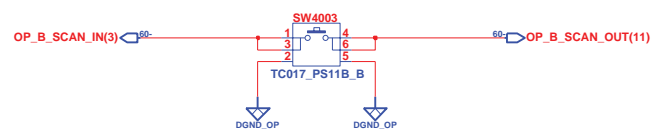
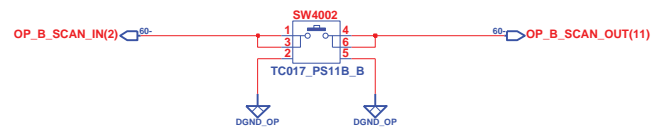
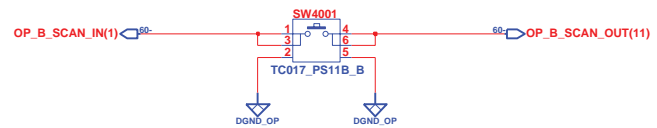
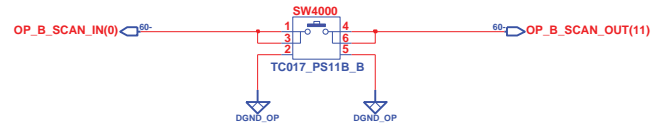
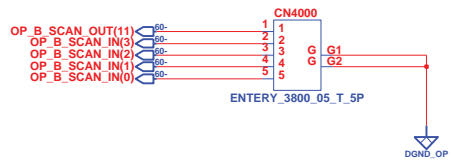
<http://hobi-elektronika.net>



HOTKEY BOARD 3/3

INVENTEC			
TITLE MW14-6.0			
HOTKEY BOARD TO I/O BOARD CONNECTOR			
SIZE A3	CODE CS	DOC. NUMBER LC5183	REV X01
CHANGE by Su Chun-Chi		28-Dec-2005	
SHEET 59		OF 63	

<http://hobi-elektronika.net>



(OPEN)

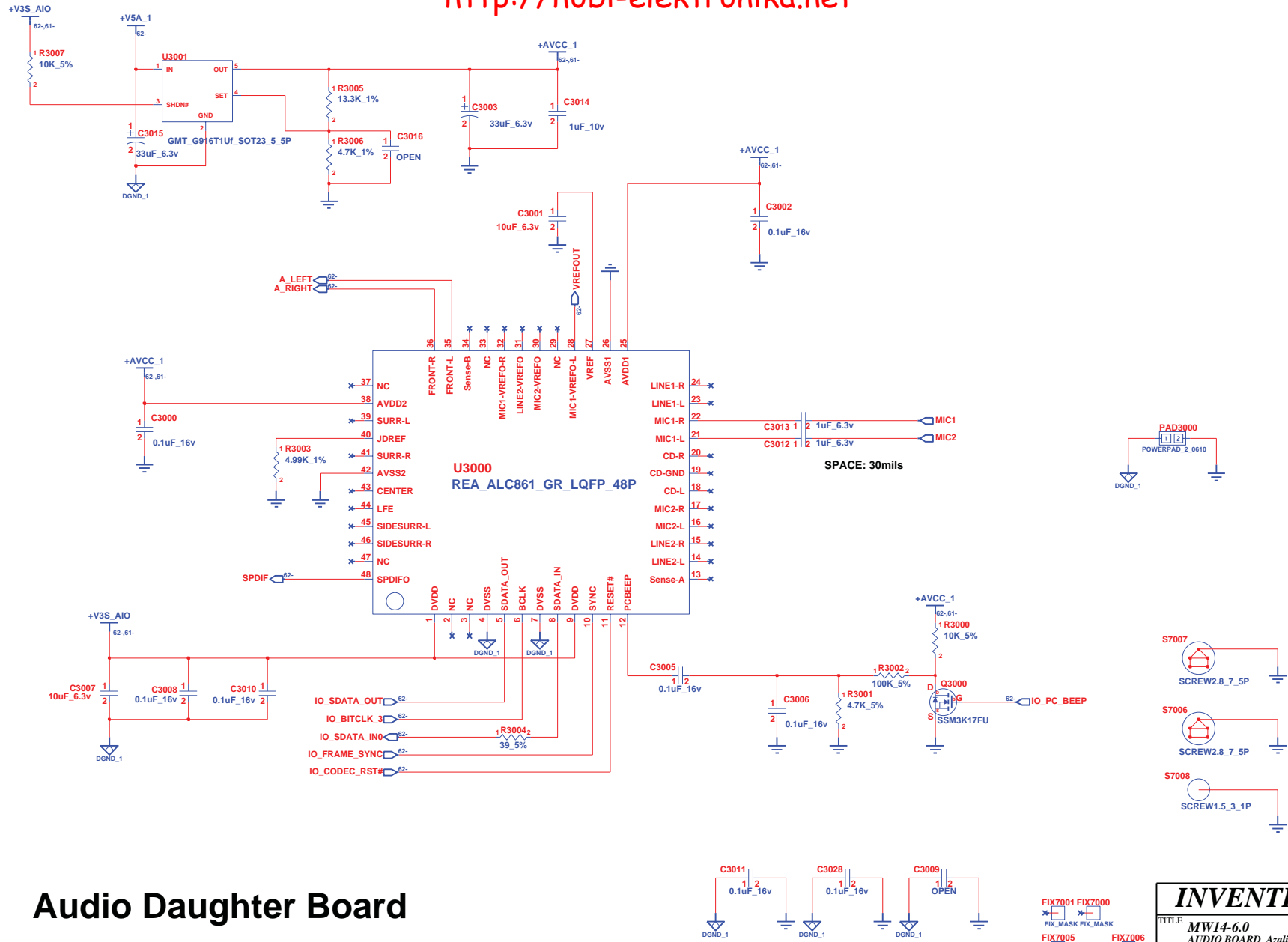
Option Hotkey Board 1/1

INVENTEC

TITLE			
MW14-6.0			
Option Hotkey Board			
SIZE	CODE	DOC. NUMBER	REV
A3	CS	LC5183	X01
SHEET		60	OF 63

CHANGE by Su Chun-Chi 7-Nov-2005

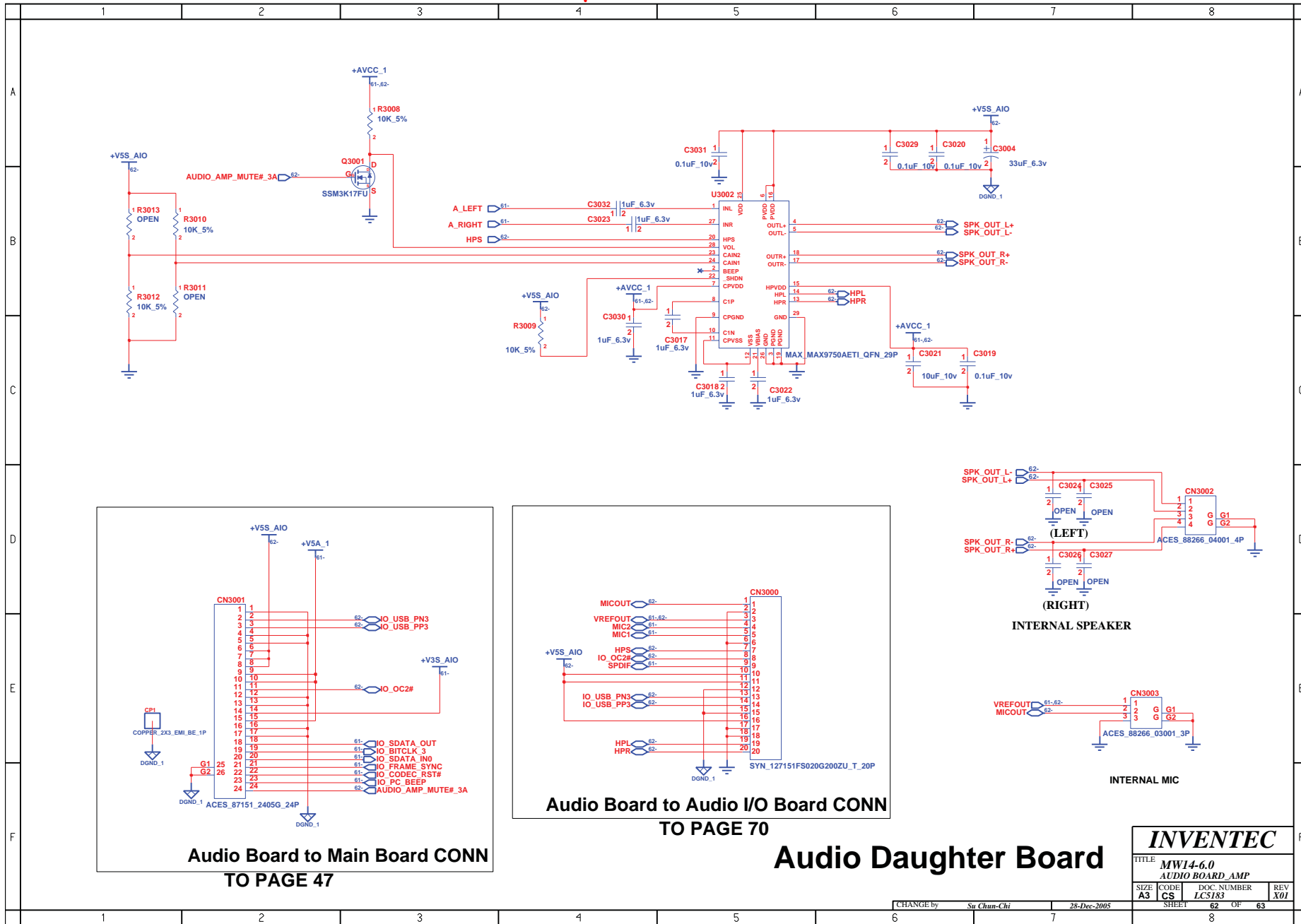
<http://hobi-elektronika.net>



Audio Daughter Board

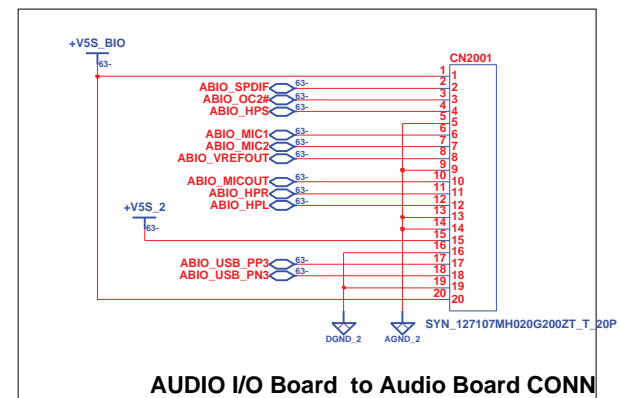
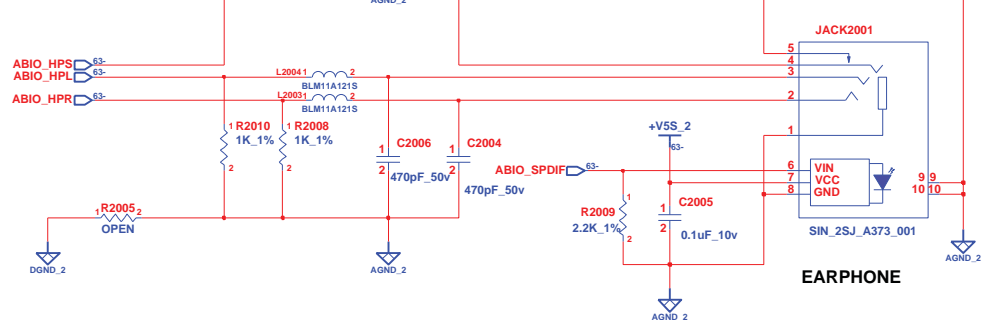
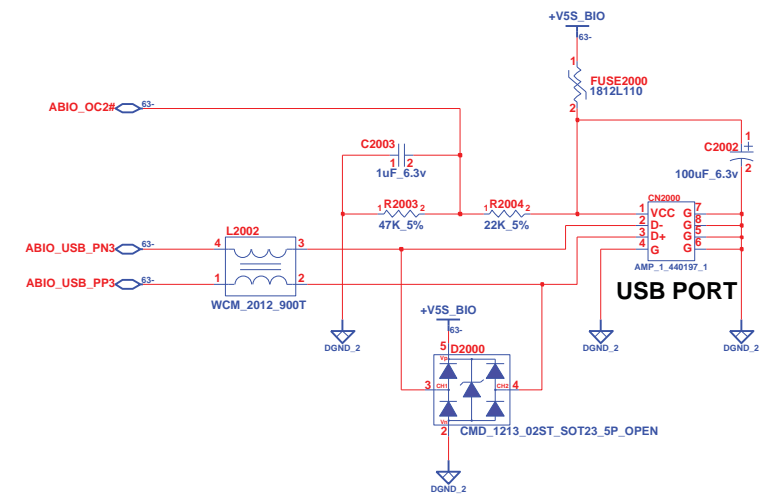
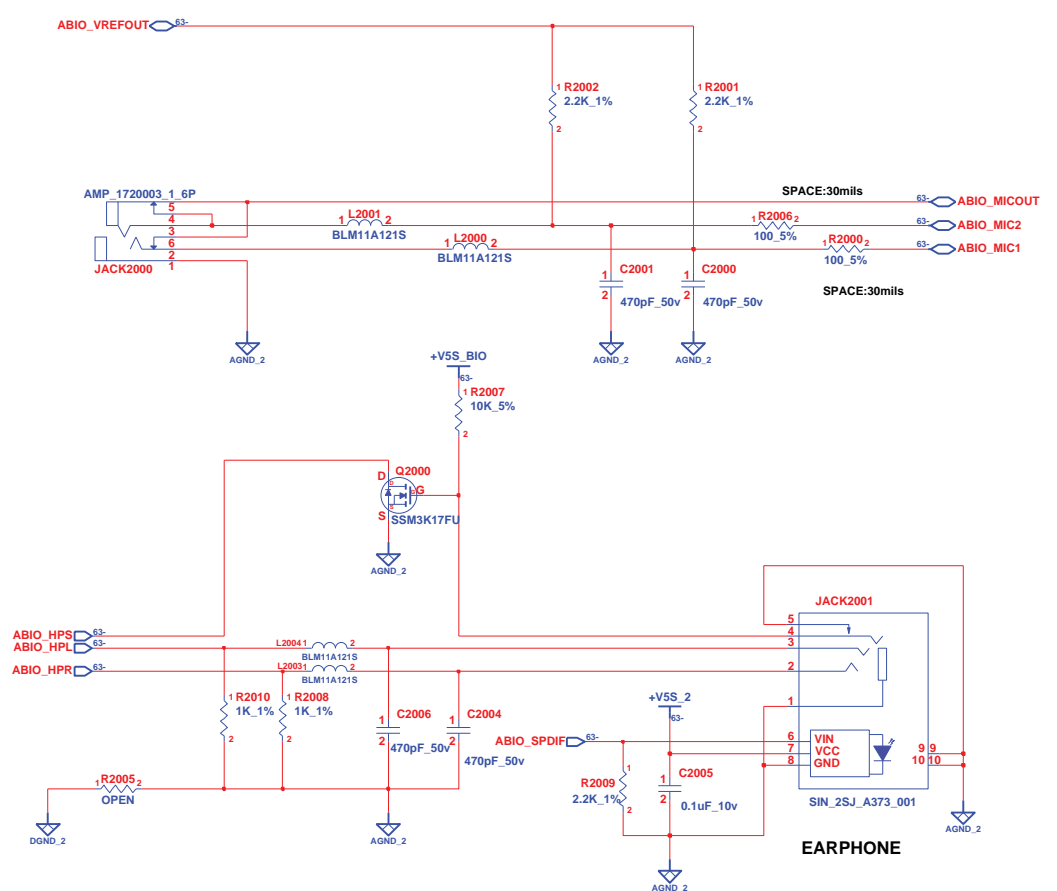
- FIX7001 FIX7000
- FIX_MASK FIX_MASK
- FIX7005
- FIX_MASK
- FIX7006
- FIX_MASK

INVENTEC			
TITLE MW14-6.0 AUDIO BOARD Azalia CODE			
SIZE A3	CODE CS	DOC NUMBER LC5183	REV X01
CHANGE by <i>Su Chun-Chi</i>		13-Dec-2005	
SHEET 61		OF 63	



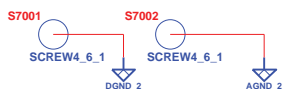
INVENTEC			
TITLE MW14-6.0			
AUDIO BOARD AMP			
SIZE A3	CODE CS	DOC. NUMBER LC5183	REV X01
CHANGE by <i>Su Chun-Chi</i>		28-Dec-2005	
SHEET 62		OF 63	

<http://hobi-elektronika.net>



AUDIO I/O Board to Audio Board CONN TO PAGE 69

FIX7009 FIX7013 FIX7008
FIX_MASK FIX_MASK FIX_MASK



Audio I/O Daughter Board

INVENTEC			
TITLE MW14-6.0 AUDIO BOARD IO			
SIZE A3	CODE CS	DOC. NUMBER LC5183	REV X01
CHANGE by <i>Su Chun-Chi</i>		7-Nov-2005	
SHEET 63		OF 63	