

THIS DRAWING AND SPECIFICATIONS, HEREIN, ARE THE PROPERTY OF INVENTEC CORPORATION AND SHALL NOT BE REPRODUCED, COPIED, OR USED IN WHOLE OR IN PART AS THE BASIS FOR THE MANUFACTURE OR SALE OF ITEMS WITHOUT WRITTEN PERMISSION, INVENTEC CORPORATION 2009 ALL RIGHT RESERVED

Zidane-UMA (PGA)

MV Build

2010/03/15

DATE	CHANGE NO.	REV

DRAWER	EE	DATE	POWER	DATE	INVENTEC		
DESIGN	Chou Leo	10/01/05	Ho Wen-Pin	10/01/05			
CHECK	Wu Bruce	10/01/05					
RESPONSIBLE	Wu Bruce	10/01/05					
TITLE					MR133I-UMA		
Project Name							
SIZE =	3	VER :	A03	SIZE	CODE	DOC. NUMBER	REV
FILE N	MURRAY-6050A2345401-MB-A03-8L	A3	CS	J310A23512-0-MTR	A03		
P/N	6050A2345401	SHEET	1	OF	48		

Index

PAGE

- 01. PROJECT NAME
- 02. INDEX
- 03. Block Diagram
- 04. POWER Procedure
- 05. DC & CHARGE Circuit
- 06. Battery CONN
- 07. +V3A & +V5A
- 08. +V1.5 & +V0.75
- 09. +V1.8S & +V1.05S
- 10. +VCC_CORE
- 11. +VGFX_CORE
- 12. VTT & VPCIE & VDDC_GPU
- 13. +V5S & +V3S
- 14. CLK GEN
- 15. CPU-1
- 16. CPU-2
- 17. CPU-3
- 18. CPU-4
- 19. CPU-5
- 20. CPU-6
- 21. Thermal, Fan & XDP
- 22. DDR3-1
- 23. DDR3-2
- 24. PCH-1
- 25. PCH-2
- 26. PCH-3
- 27. PCH-4
- 28. PCH-5
- 29. PCH-6
- 30. PCH-7

PAGE

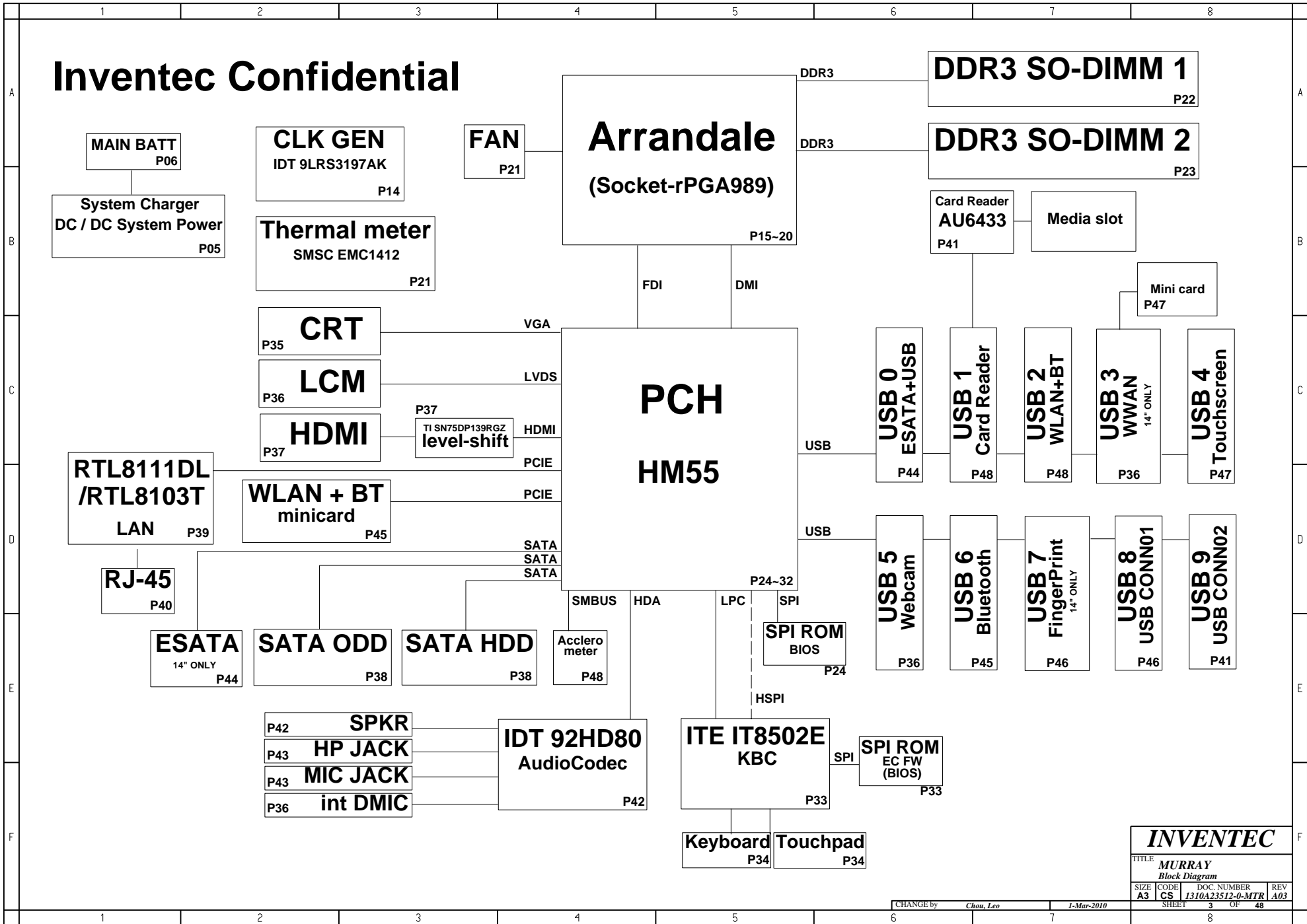
- 31. PCH-8
- 32. PCH-9
- 33. KBC
- 34. Keyboard & TouchPad
- 35. CRT CONN
- 36. LCM CONN
- 37. HDMI CONN
- 38. SATA HDD & ODD
- 39. LAN
- 40. RJ-45
- 41. Card Reader
- 42. Audio Codec
- 43. HP JACK & MIC JACK
- 44. ESATA, SCREW
- 45. WLAN & BlueTooth
- 46. USB, PowerButton(DB)
- 47. WWAN(Optional)
- 48. FP & HD LOCK(Optional)

INVENTEC

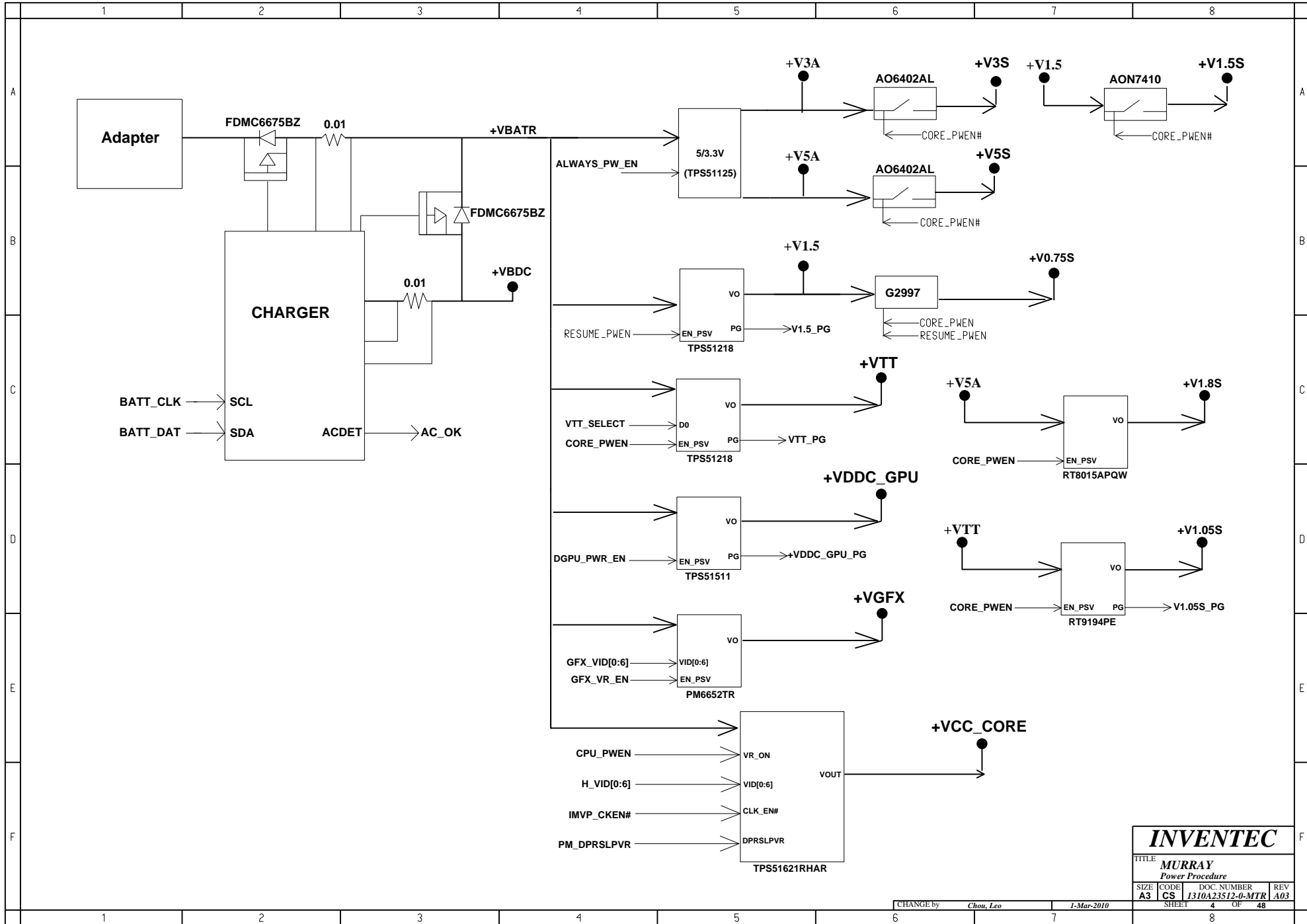
TITLE			
MURRAY			
Index			
SIZE	CODE	DOC. NUMBER	REV
A3	CS	1310A23512-0-MTR	A03
SHEET		OF	
2		48	

CHANGE by Chou, Leo 1-Mar-2010

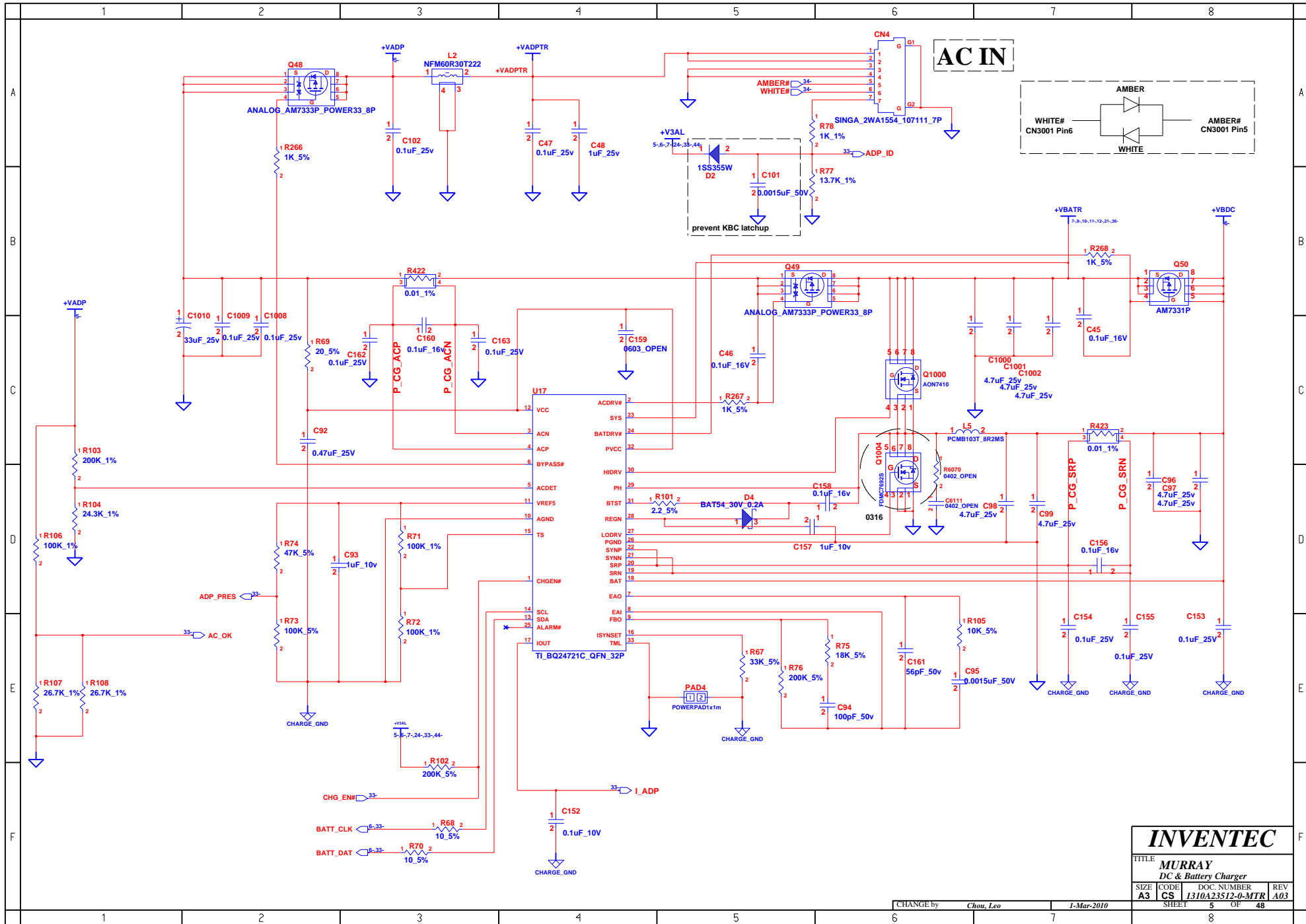
Inventec Confidential



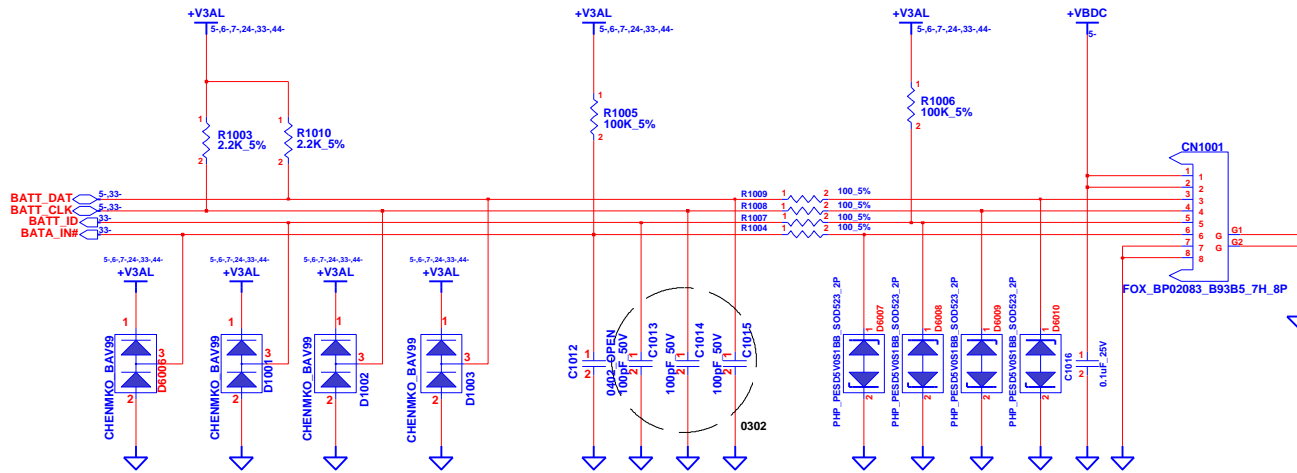
INVENTEC			
TITLE MURRAY			
Block Diagram			
SIZE	CODE	DOC NUMBER	REV
A3	CS	1310A23512-0-MTR	A03
CHANGE by		SHEET	
Chou, Leo		3 OF 48	



INVENTEC			
TITLE MURRAY			
Power Procedure			
SIZE A3	CODE CS	DOC NUMBER 1310A23512-0-MTR	REV A03
CHANGE by <i>Chou, Leo</i>		1-Mar-2010	
SHEET 4		OF 48	



INVENTEC			
TITLE MURRAY			
DC & Battery Charger			
SIZE A3	CODE CS	DOC NUMBER I310A23512-0-MTR	REV A03
CHANGE by <i>Chou, Leo</i>		1-Mar-2010	
SHEET 5		OF 48	



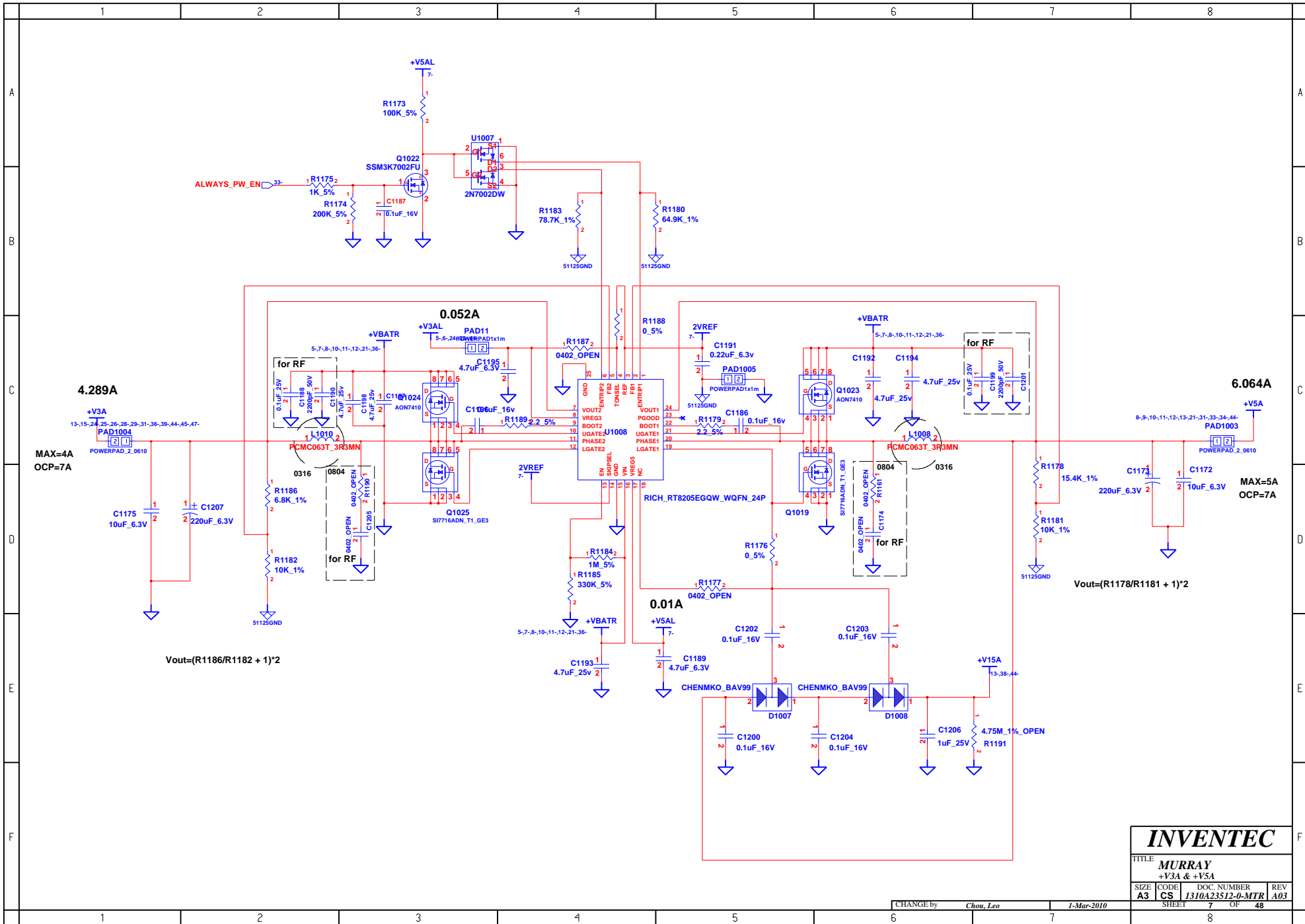
INVENTEC

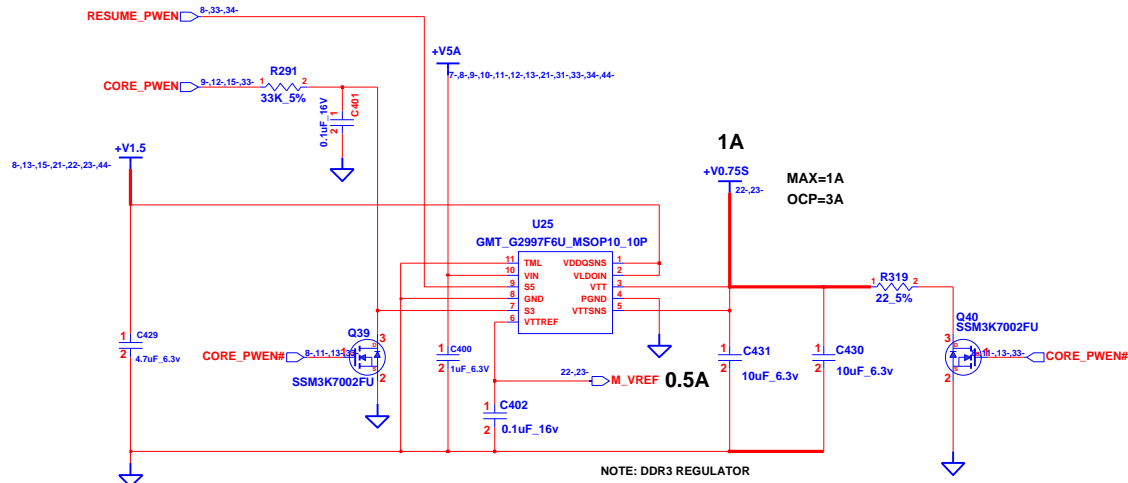
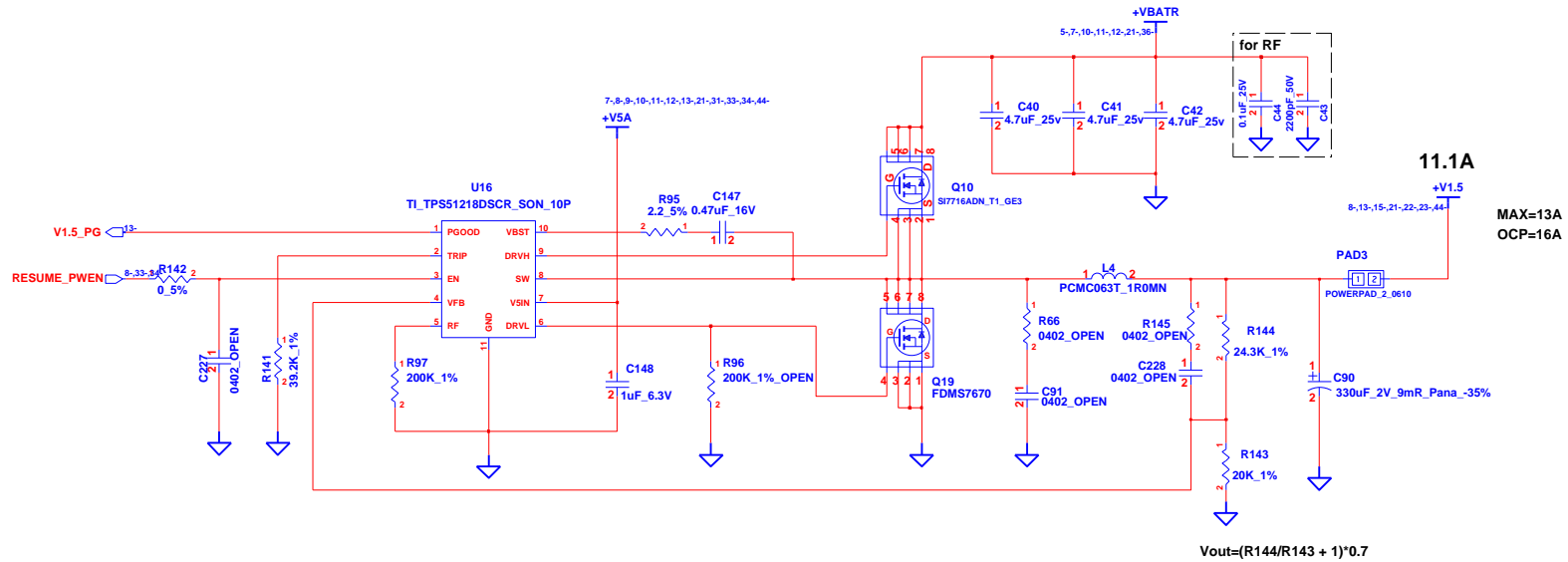
TITLE **MURRAY**
Battery CONN

SIZE A3	CODE CS	DOC NUMBER 1310A23512-0-MTR	REV A03
----------------	----------------	------------------------------------	----------------

CHANGE by *Chou, Leo* 1-Mar-2010

SHEET 6 OF 48

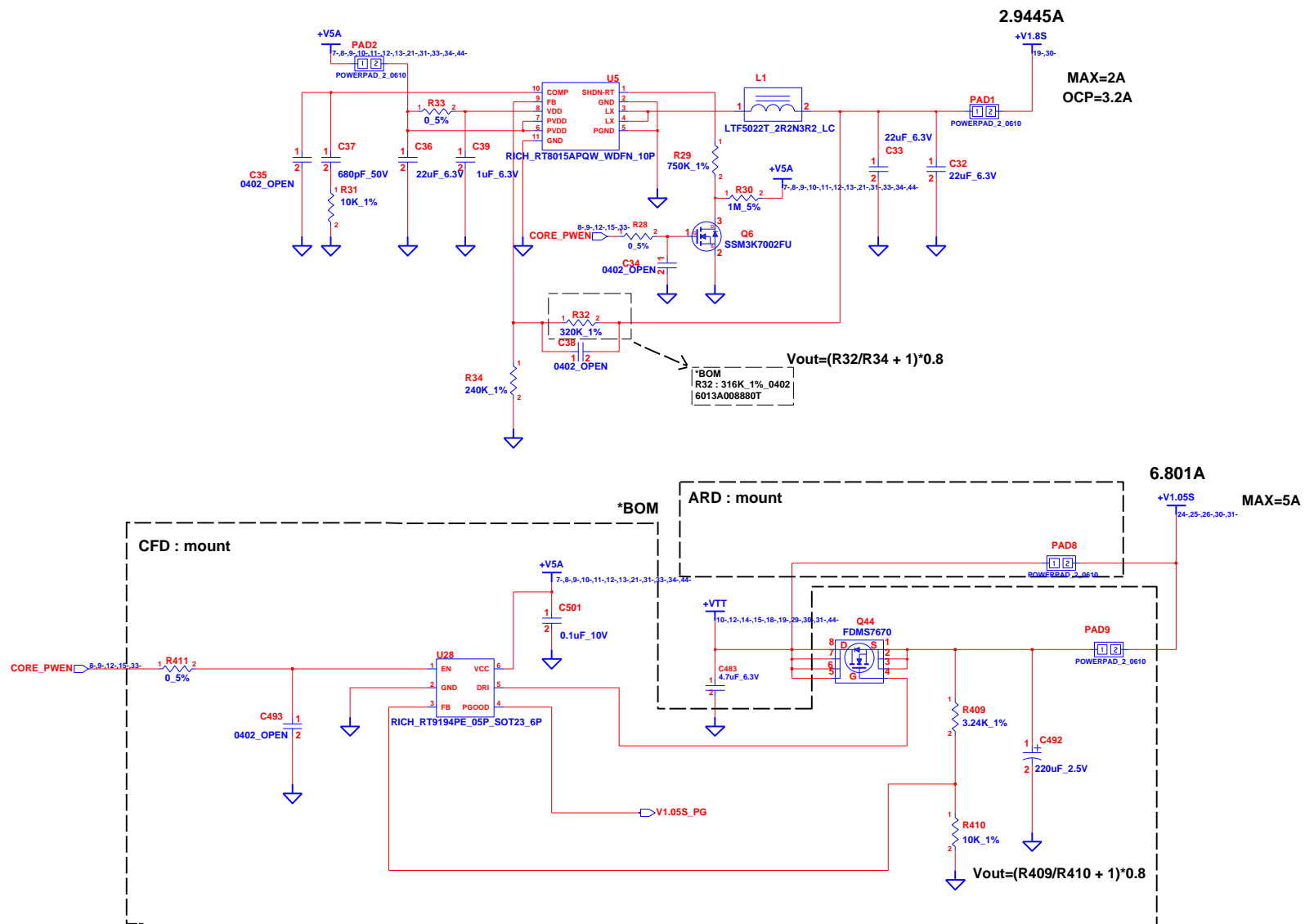




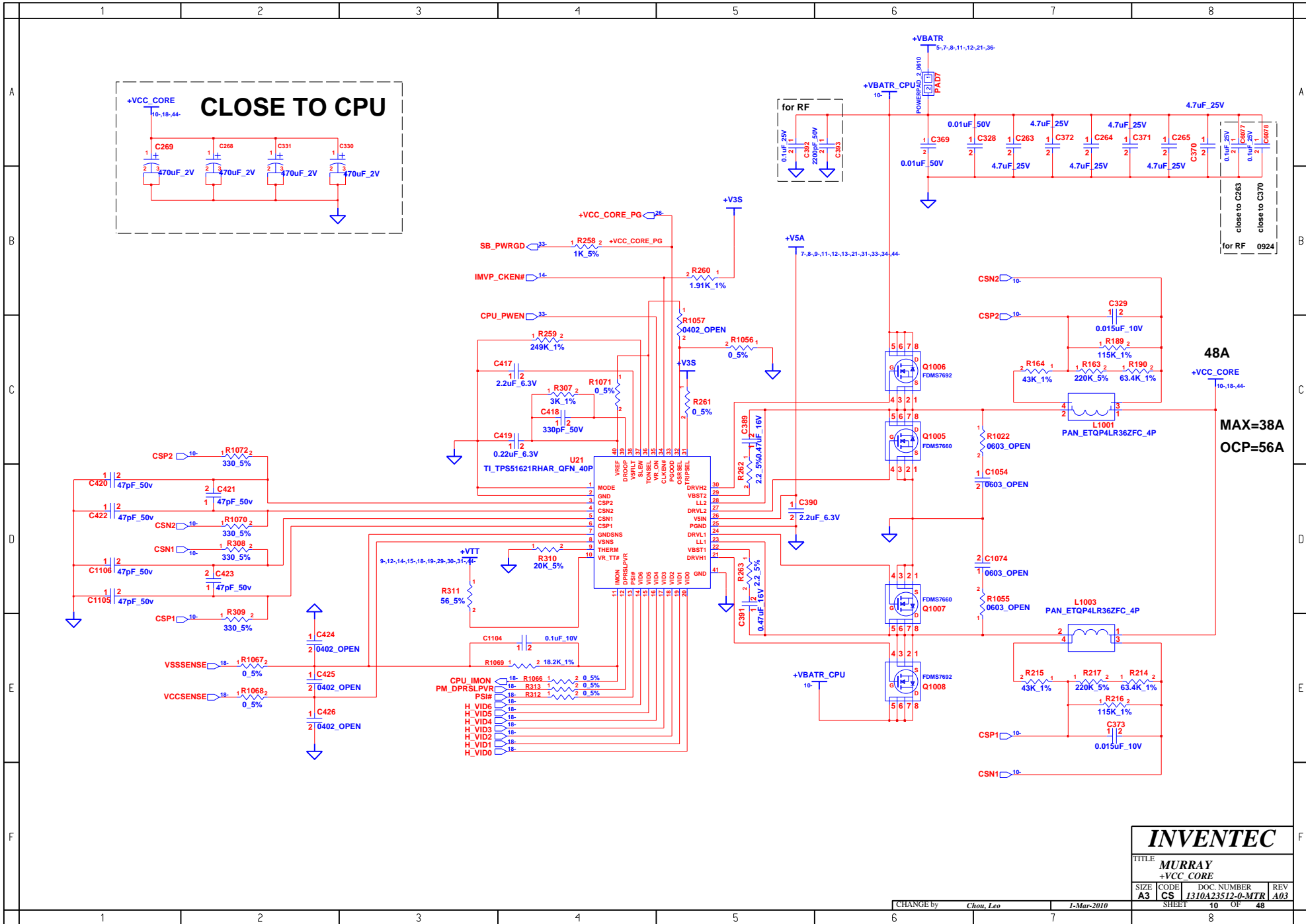
INVENTEC

TITLE			
MURRAY			
+V1.5 & +V0.75			
SIZE	CODE	DOC NUMBER	REV
A3	CS	1310A23512-0-MTR	A03
CHANGE by		SHEET	
Chou, Leo		8 OF 48	

1-Mar-2010

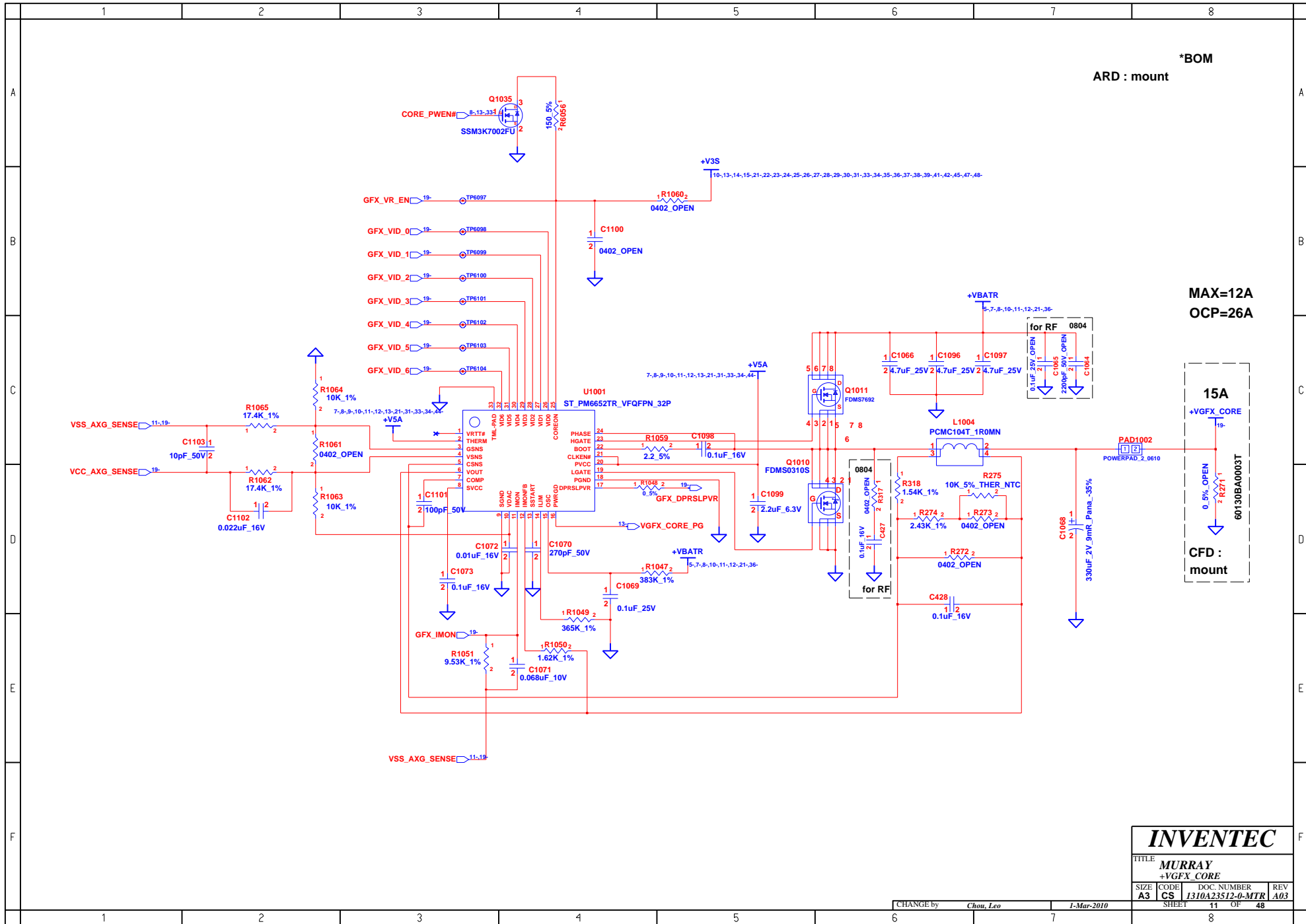


INVENTEC			
TITLE MURRAY			
+V1.8S & +V1.05S			
SIZE A3	CODE CS	DOC NUMBER 1310A23512-0-MTR	REV A03
CHANGE by <i>Chou, Leo</i>		1-Mar-2010	
SHEET 9		OF 48	



48A
+VCC_CORE
MAX=38A
OCP=56A

INVENTEC			
TITLE: MURRAY +VCC_CORE			
SIZE: A3	CODE: CS	DOC NUMBER: I310A23512-0-MTR	REV: A03
CHANGE by: Chou, Leo		1-Mar-2010	
SHEET: 10		OF: 48	

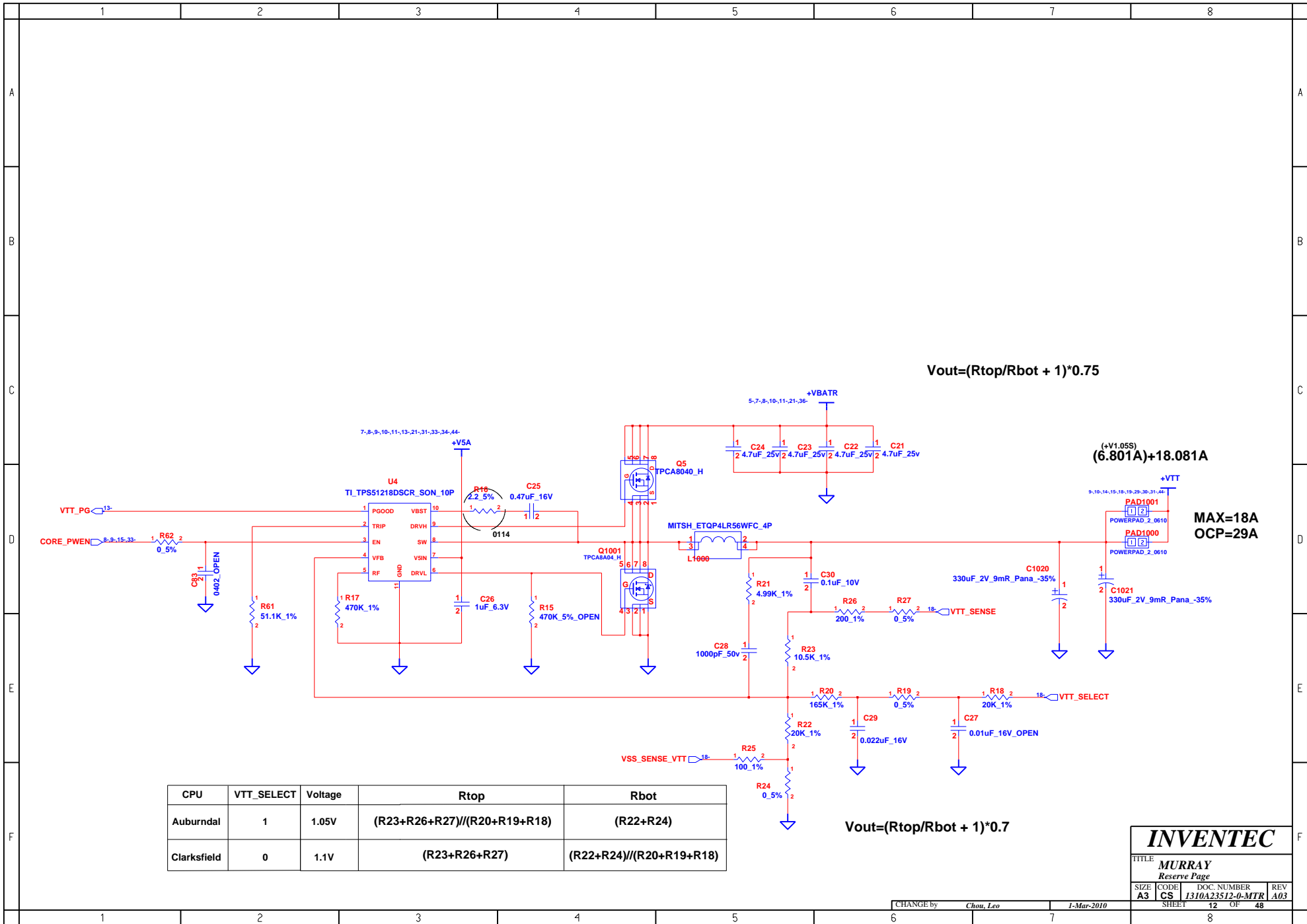


*BOM
ARD : mount

MAX=12A
OCP=26A

15A
+VGFX_CORE
0.5% OPEN
R271
60130BA0003T
CFD :
mount

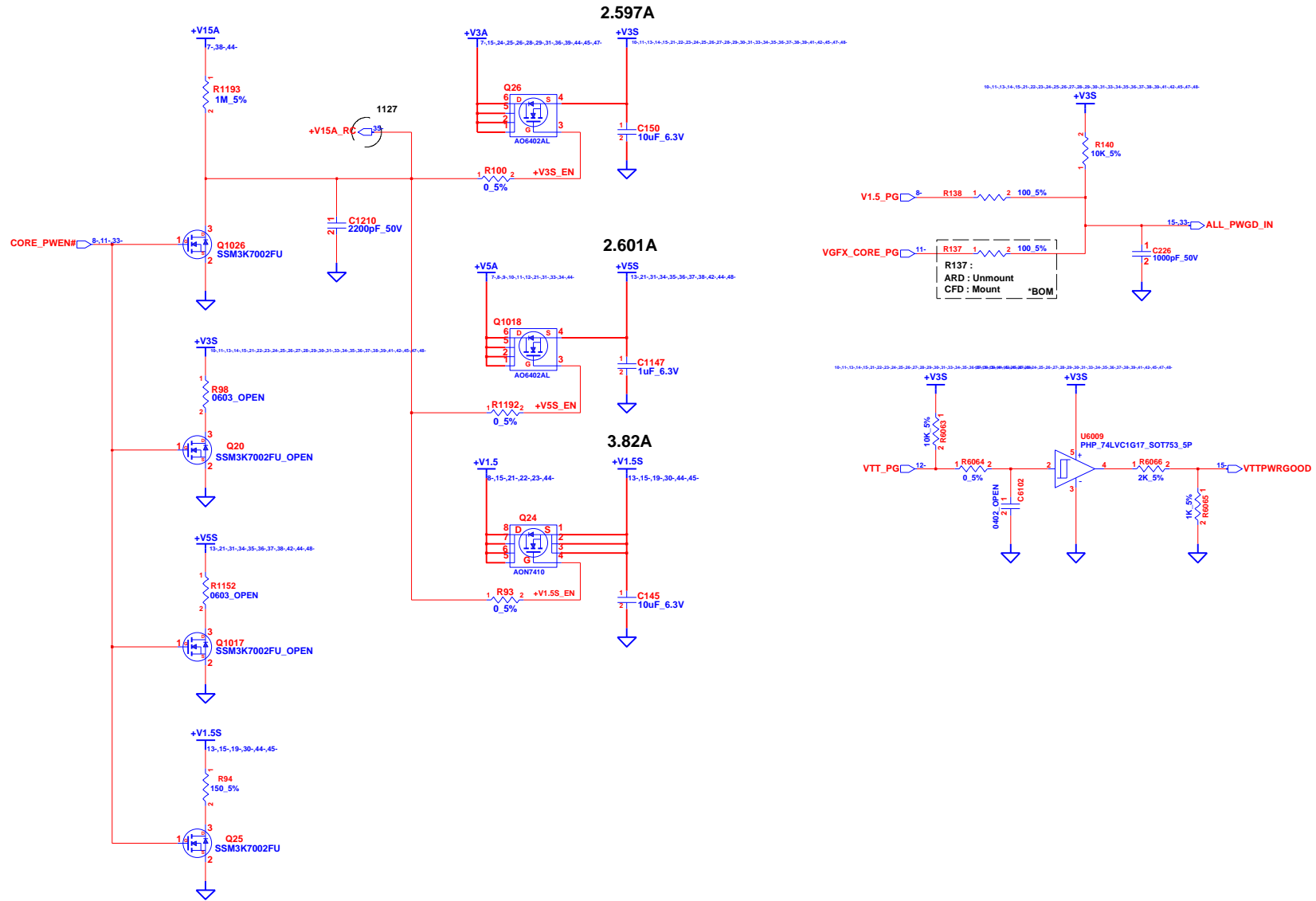
INVENTEC			
TITLE MURRAY +VGFX_CORE			
SIZE A3	CODE CS	DOC NUMBER I310A23512-0-MTR	REV A03
CHANGE by <i>Chou, Leo</i>		1-Mar-2010	
SHEET 11		OF 48	



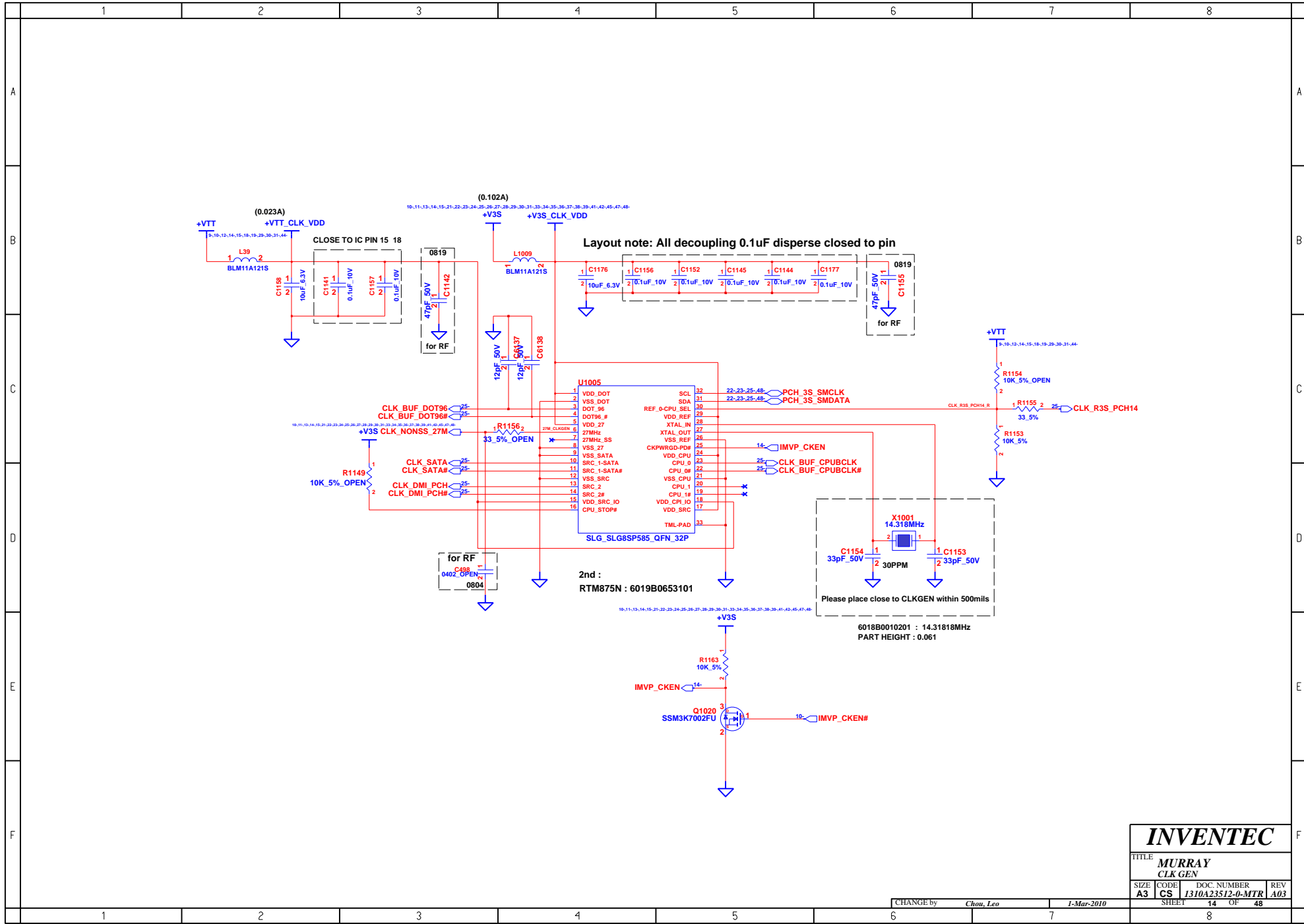
CPU	VTT_SELECT	Voltage	Rtop	Rbot
Auburndal	1	1.05V	$(R23+R26+R27)/(R20+R19+R18)$	$(R22+R24)$
Clarkfield	0	1.1V	$(R23+R26+R27)$	$(R22+R24)/(R20+R19+R18)$

INVENTEC

TITLE			
MURRAY			
Reserve Page			
SIZE	CODE	DOC. NUMBER	REV
A3	CS	1310A23512-0-MTR	A03
SHEET		OF	
12		48	



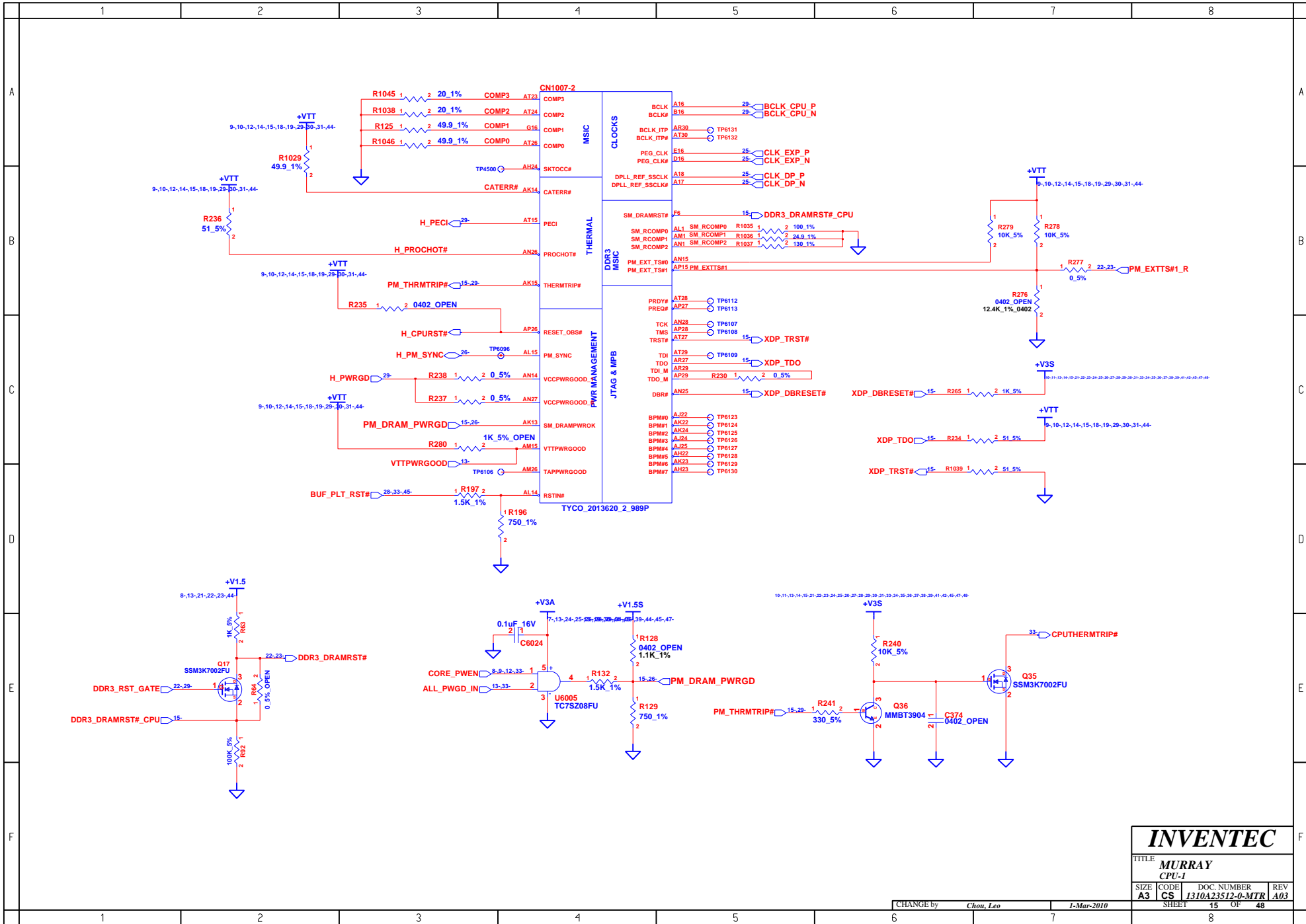
INVENTEC			
TITLE: MURRAY			
+V3S & +V3S			
SIZE	CODE	DOC NUMBER	REV
A3	CS	I310A23512-0-MTR	A03
CHANGE by		SHEET	OF
Chou, Leo		13	48



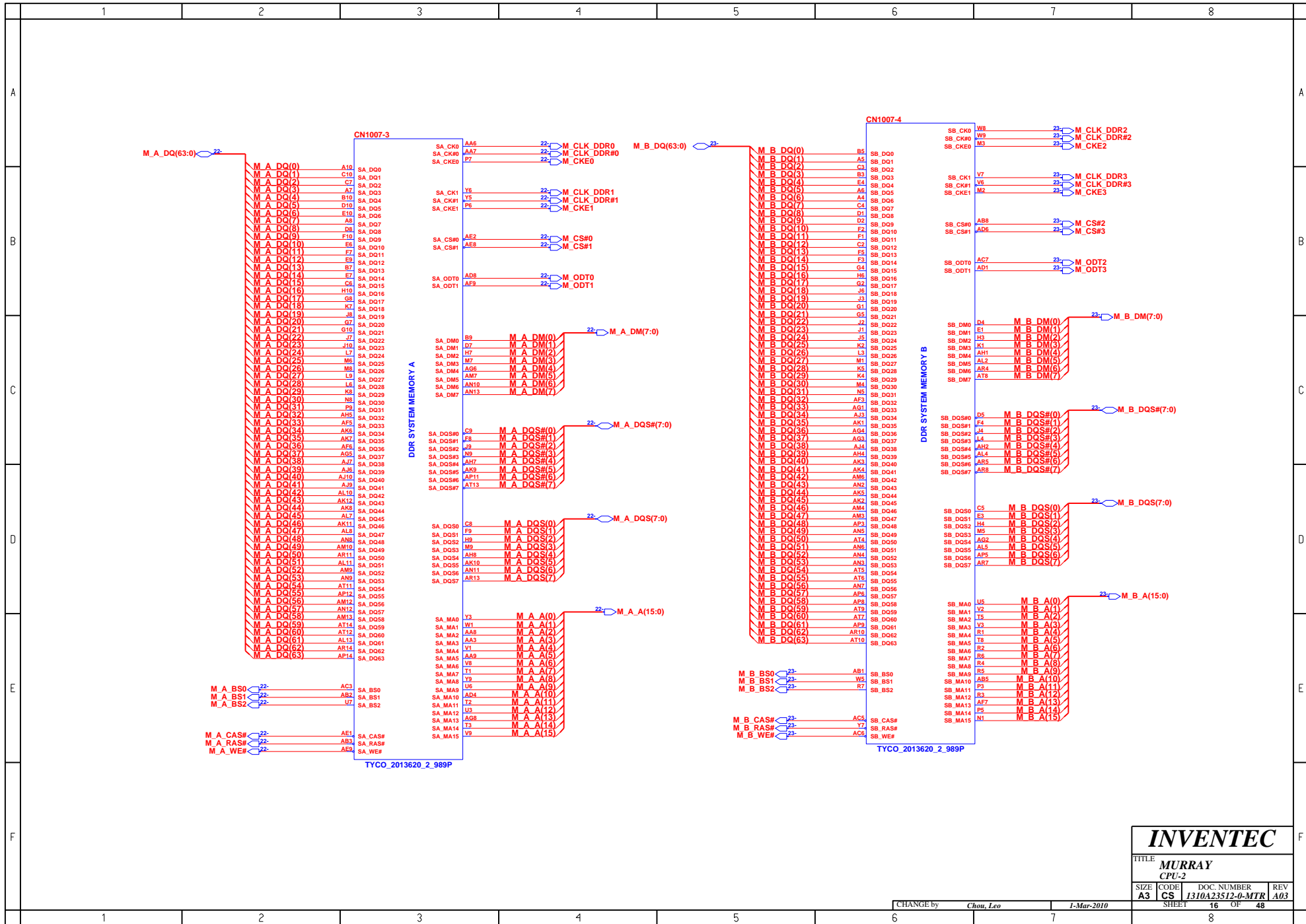
INVENTEC

TITLE			
MURRAY			
CLK GEN			
SIZE	CODE	DOC. NUMBER	REV
A3	CS	1310A23512-0-MTR	A03
CHANGE by		SHEET	
Chou, Leo		14 OF 48	

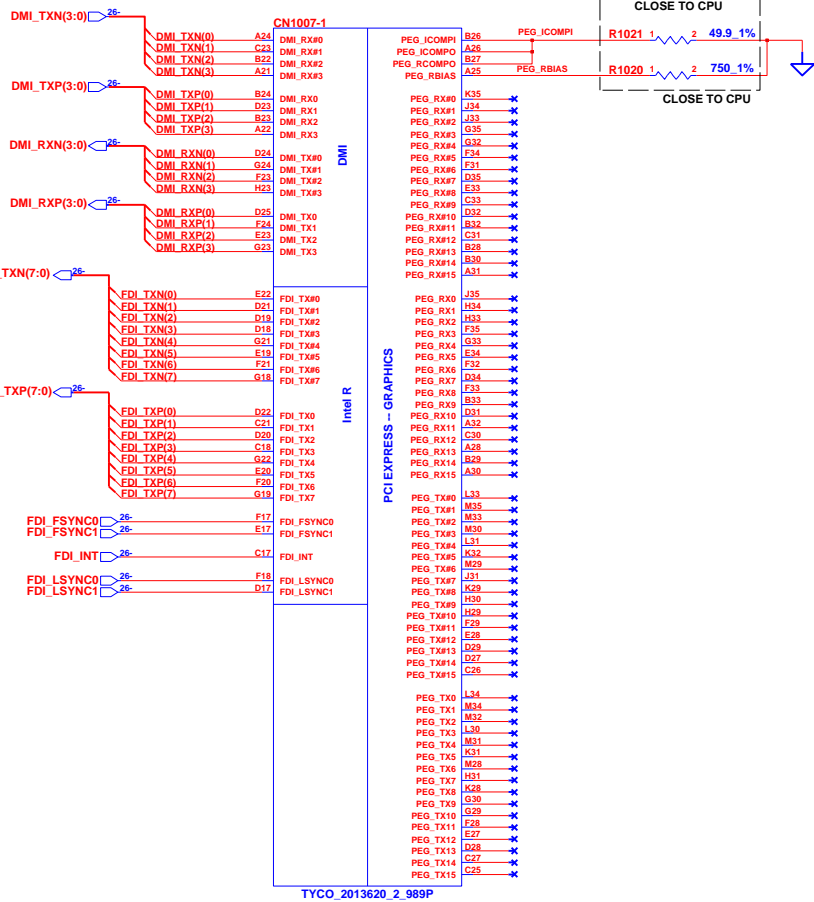
1-Mar-2010



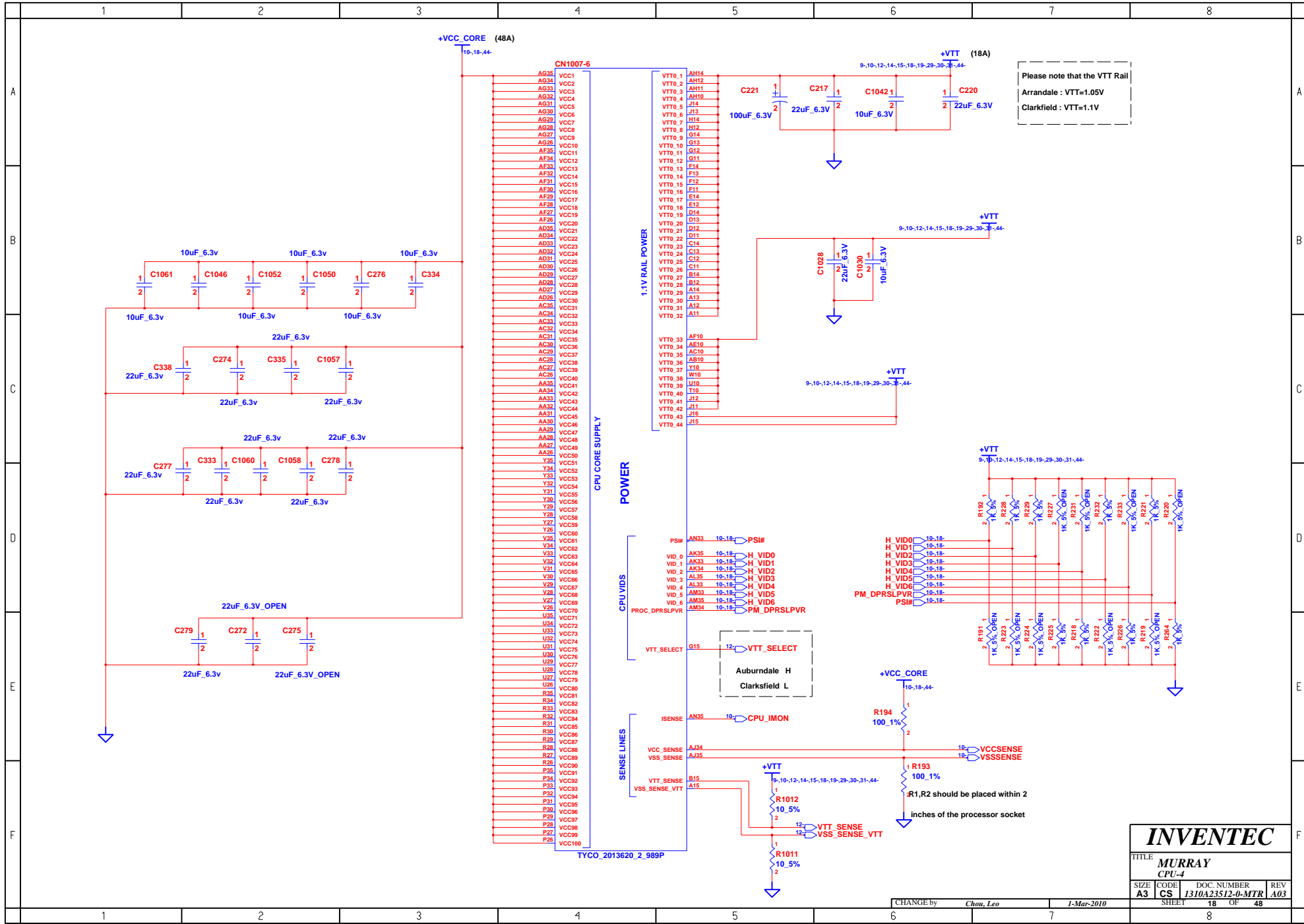
INVENTEC			
TITLE MURRAY CPU-1			
SIZE A3	CODE CS	DOC. NUMBER I310A23512-0-MTR	REV A03
CHANGE by <i>Chou, Leo</i>		1-Mar-2010	
SHEET 15		OF 48	



INVENTEC			
TITLE: MURRAY CPU-2			
SIZE: A3	CODE: CS	DOC. NUMBER: 1310A23512-0-MTR	REV: A03
CHANGE by: Chou, Leo		1-Mar-2010	
SHEET: 16		OF: 48	



INVENTEC			
TITLE MURRAY CPU-3			
SIZE A3	CODE CS	DOC. NUMBER 1310A23512-0-MTR	REV A03
CHANGE by <i>Chou, Leo</i>		1-Mar-2010	
SHEET 17		OF 48	

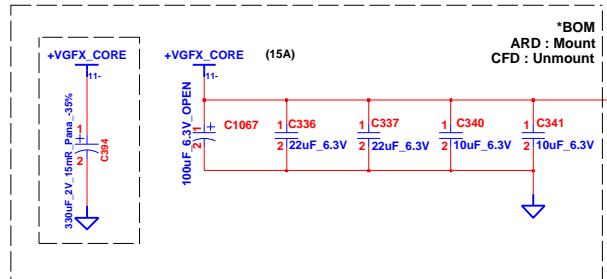


Please note that the VTT Rail
 Arrandale : VTT=1.05V
 Clarkfield : VTT=1.1V

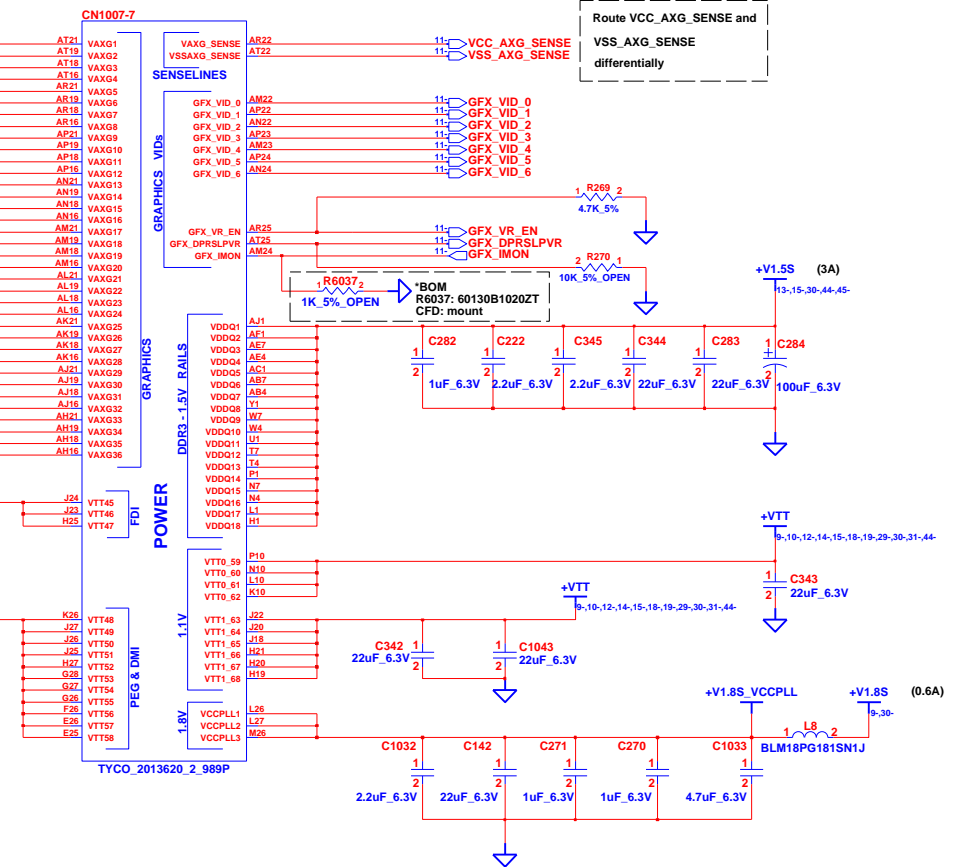
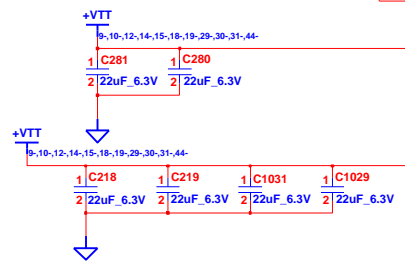
A
B
C
D
E
F

A
B
C
D
E
F

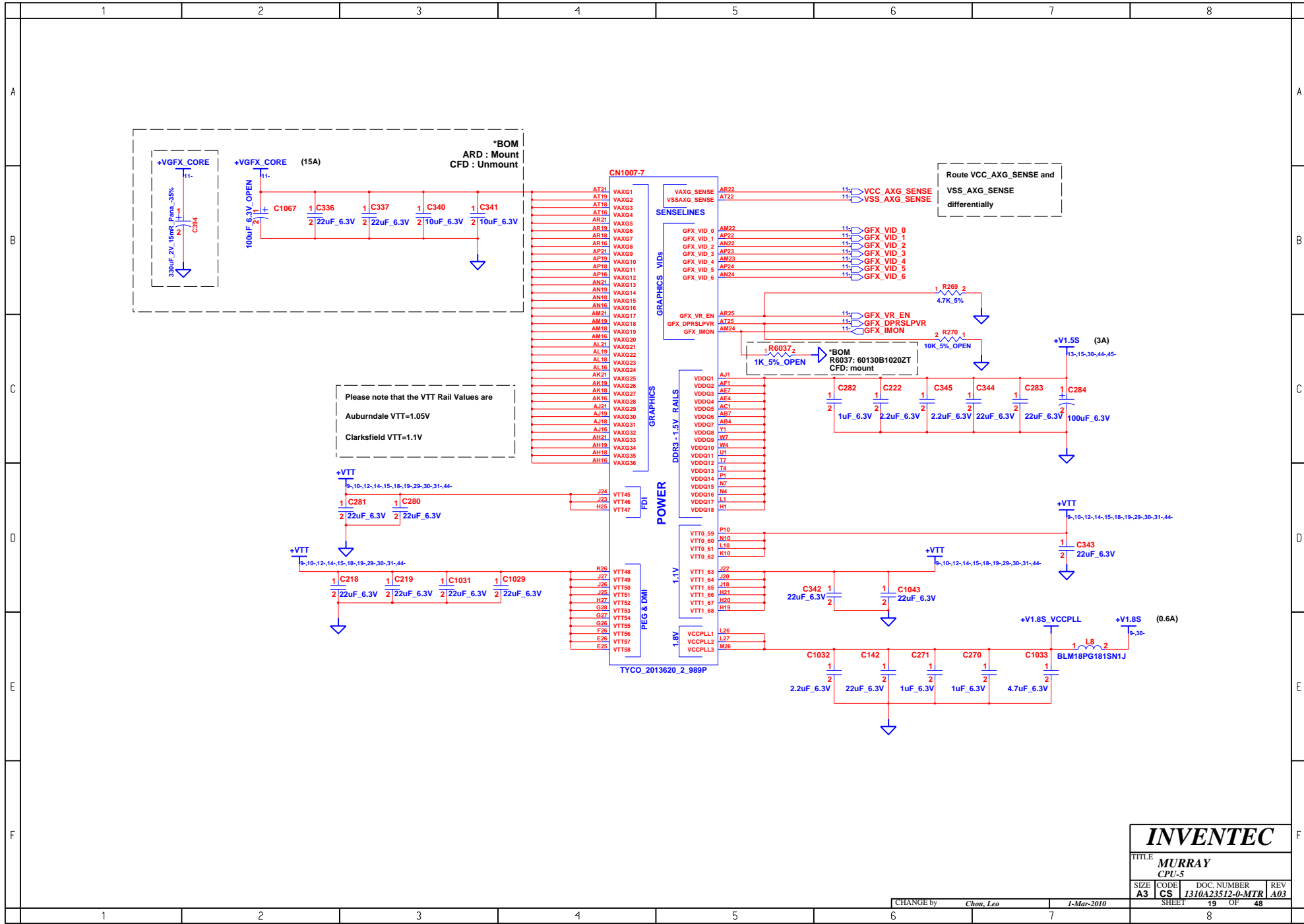
INVENTEC			
TITLE MURRAY			
CPU-4			
SIZE A3	CODE CS	DOC. NUMBER 1310A23512-0-MTR	REV A03
CHANGE by <i>Chou, Leo</i>		1-Mar-2010	
SHEET 18		OF 48	

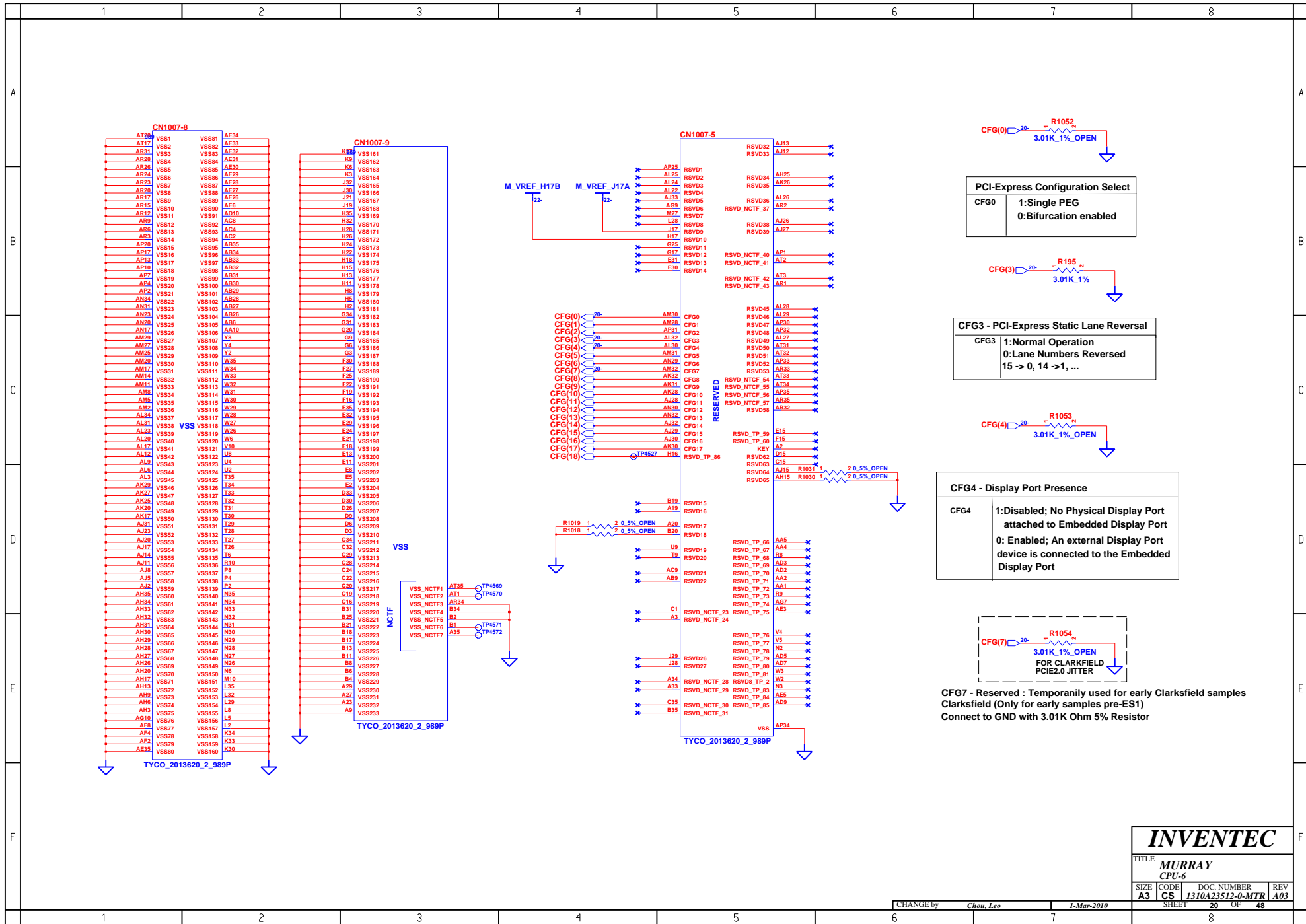


Please note that the VTT Rail Values are
 Auburndate VTT=1.05V
 Clarksfield VTT=1.1V



INVENTEC			
TITLE MURRAY CPU-5			
SIZE A3	CODE CS	DOC. NUMBER 1310A23512-0-MTR	REV A03
CHANGE by <i>Chou, Leo</i>		1-Mar-2010	
SHEET 19		OF 48	

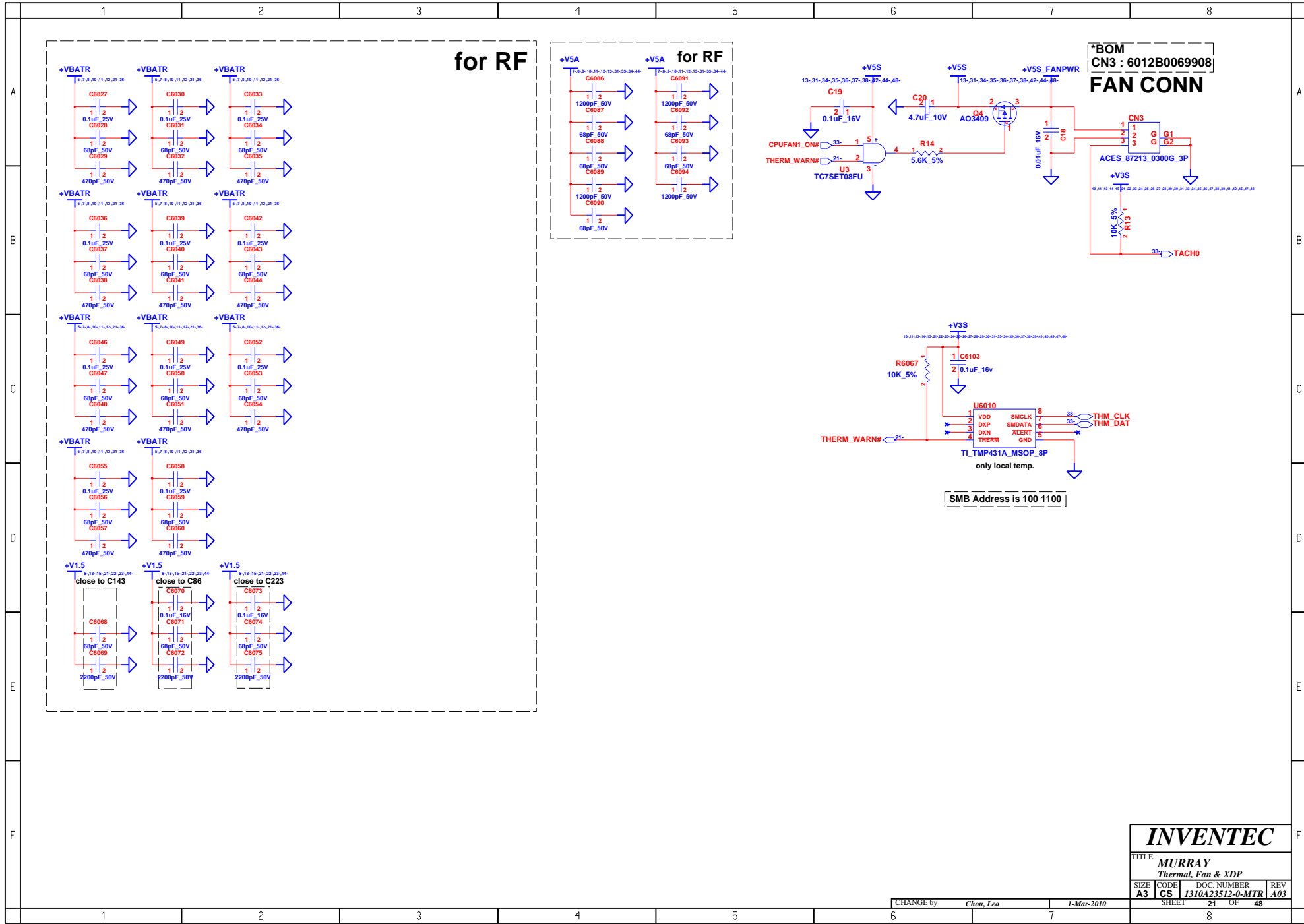




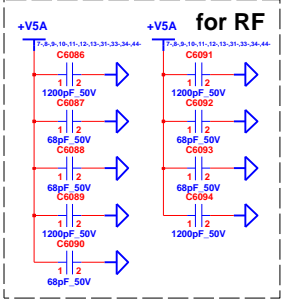
INVENTEC

TITLE: **MURRAY CPU-6**

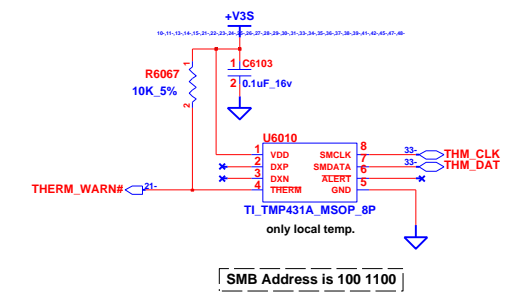
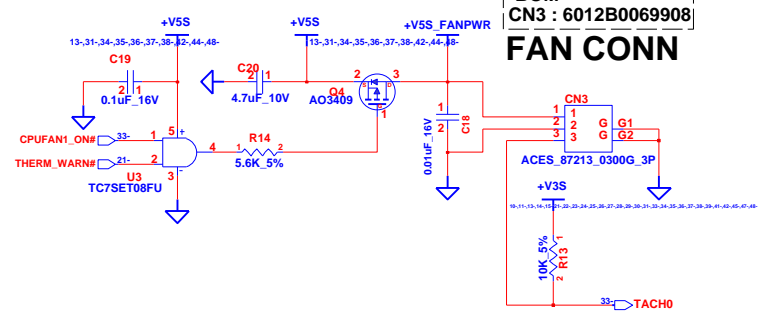
SIZE: A3	CODE: CS	DOC. NUMBER: 1310A23512-0-MTR	REV: A03
CHANGE by: Chou, Leo		1-Mar-2010	
SHEET: 20		OF: 48	



for RF



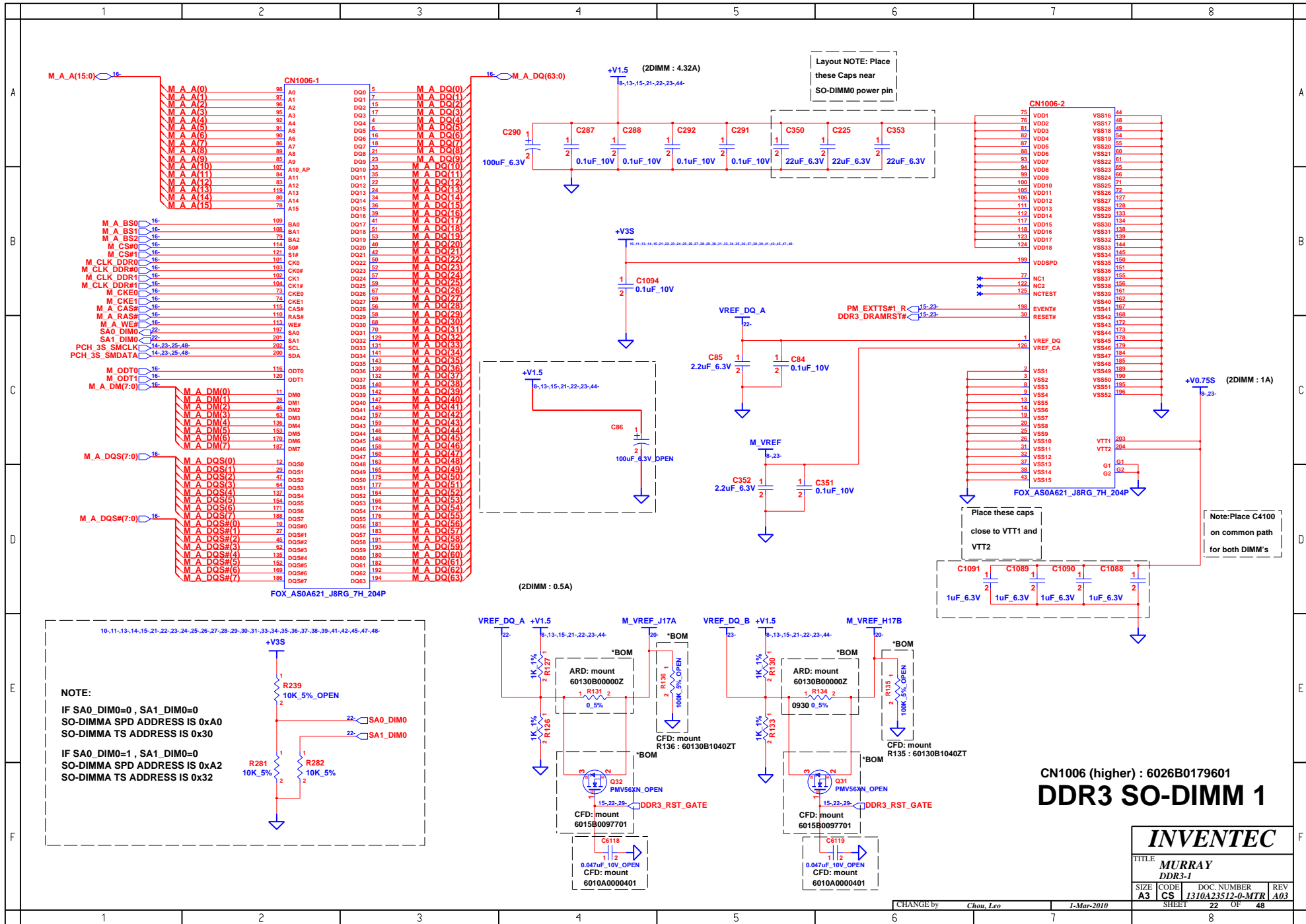
*BOM
CN3 : 6012B0069908
FAN CONN

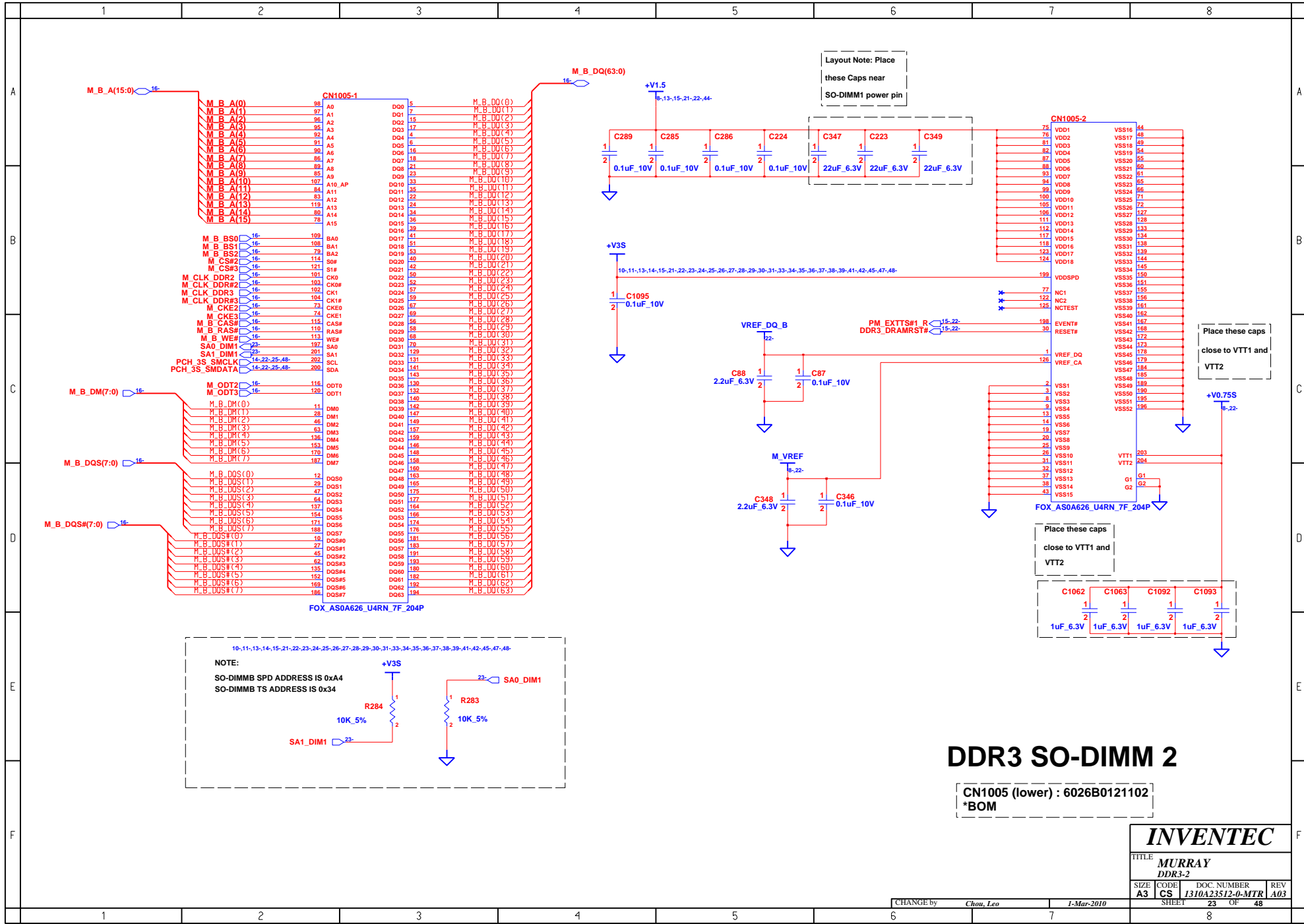


INVENTEC

TITLE			
MURRAY			
Thermal, Fan & XDP			
SIZE	CODE	DOC NUMBER	REV
A3	CS	1310A23512-0-MTR	A03
SHEET		21	OF 48

CHANGE by Chou, Leo 1-Mar-2010





DDR3 SO-DIMM 2

CN1005 (lower) : 6026B0121102
 *BOM

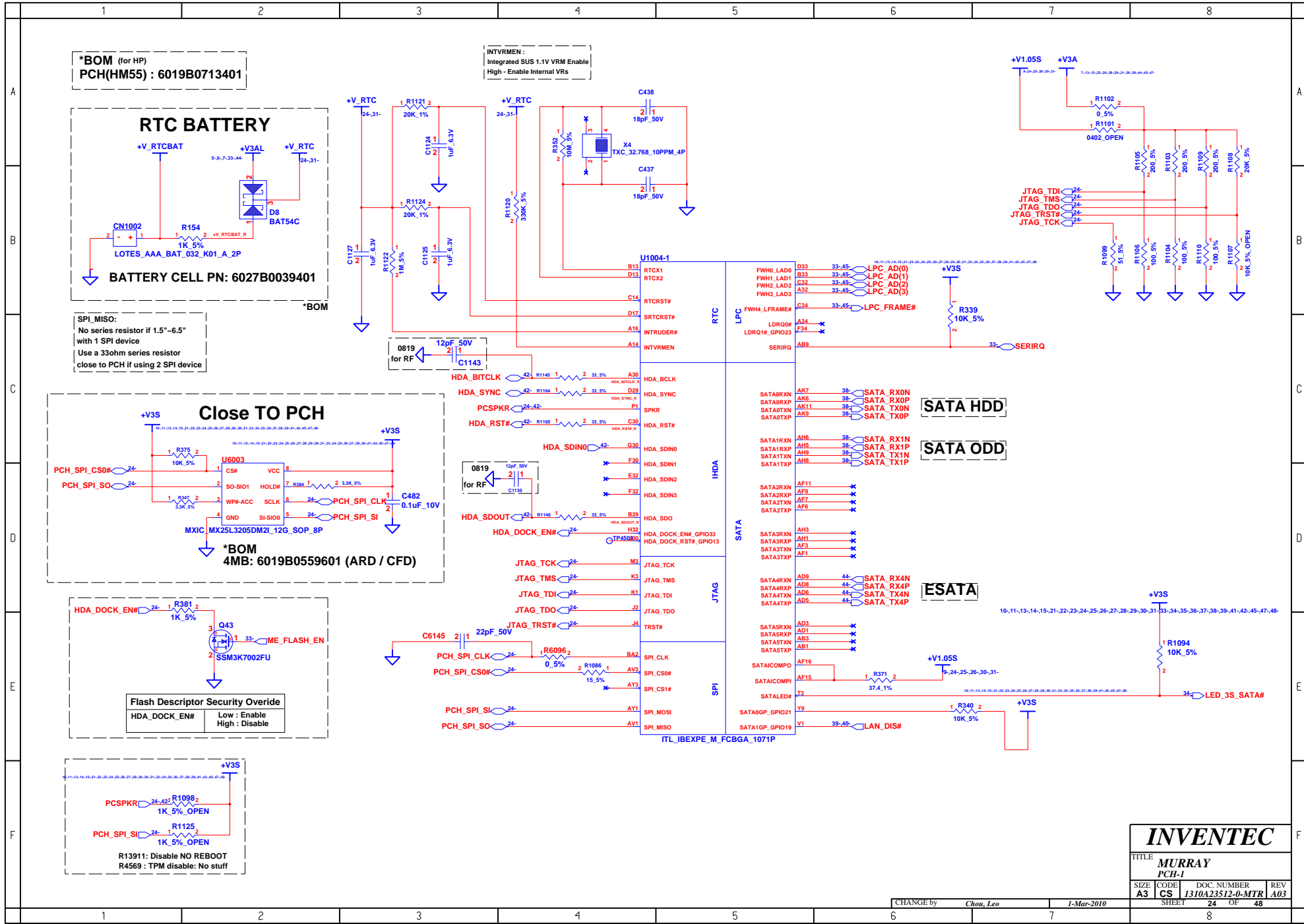
INVENTEC

TITLE: MURRAY
 DDR3-2

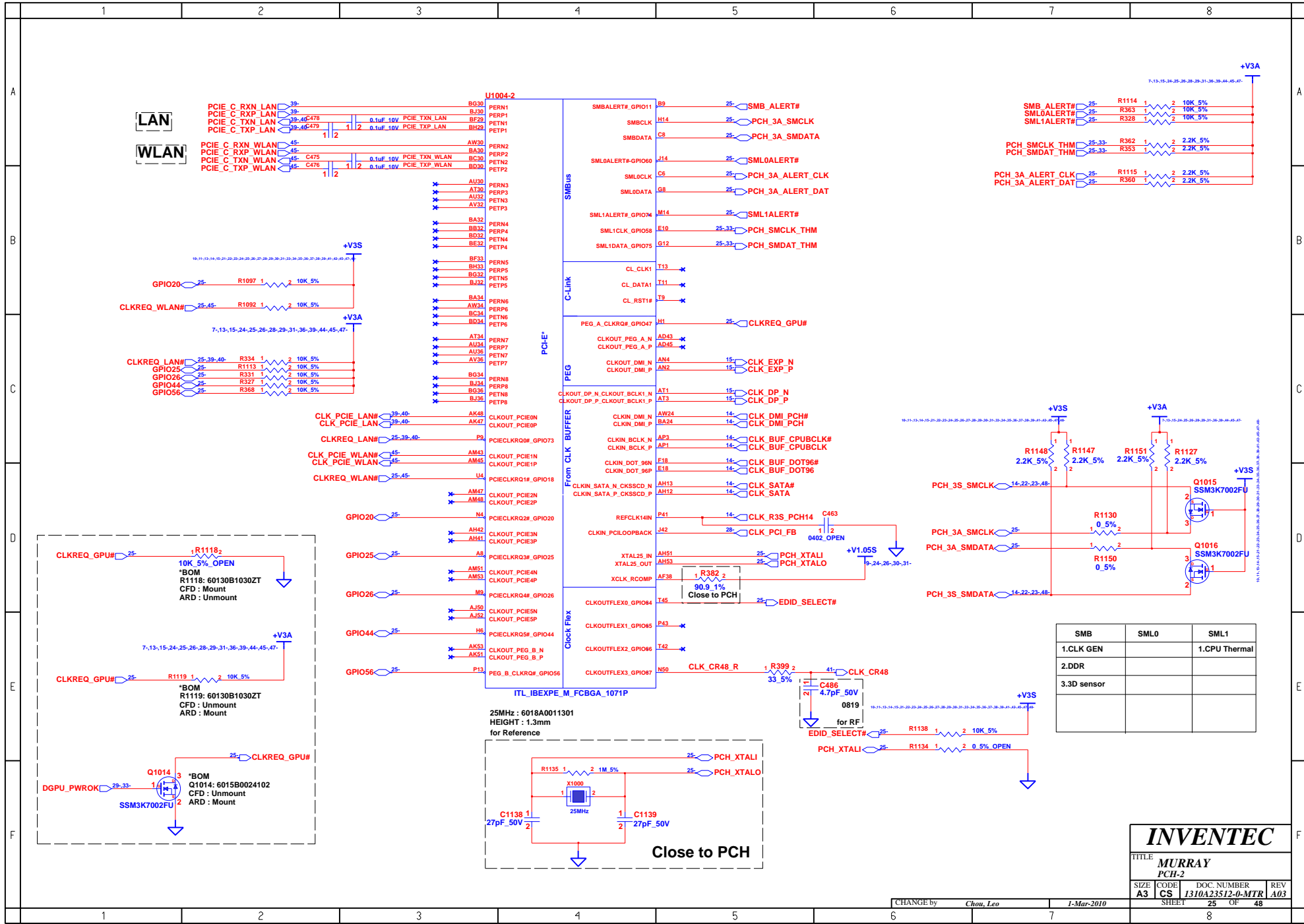
SIZE	CODE	DOC. NUMBER	REV
A3	CS	1310A23512-0-MTR	A03

CHANGE by Chou, Leo 1-Mar-2010

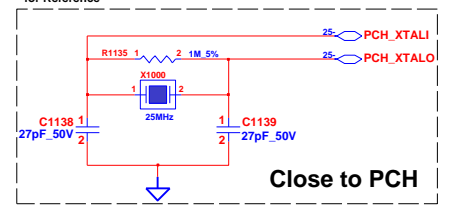
SHEET 23 OF 48



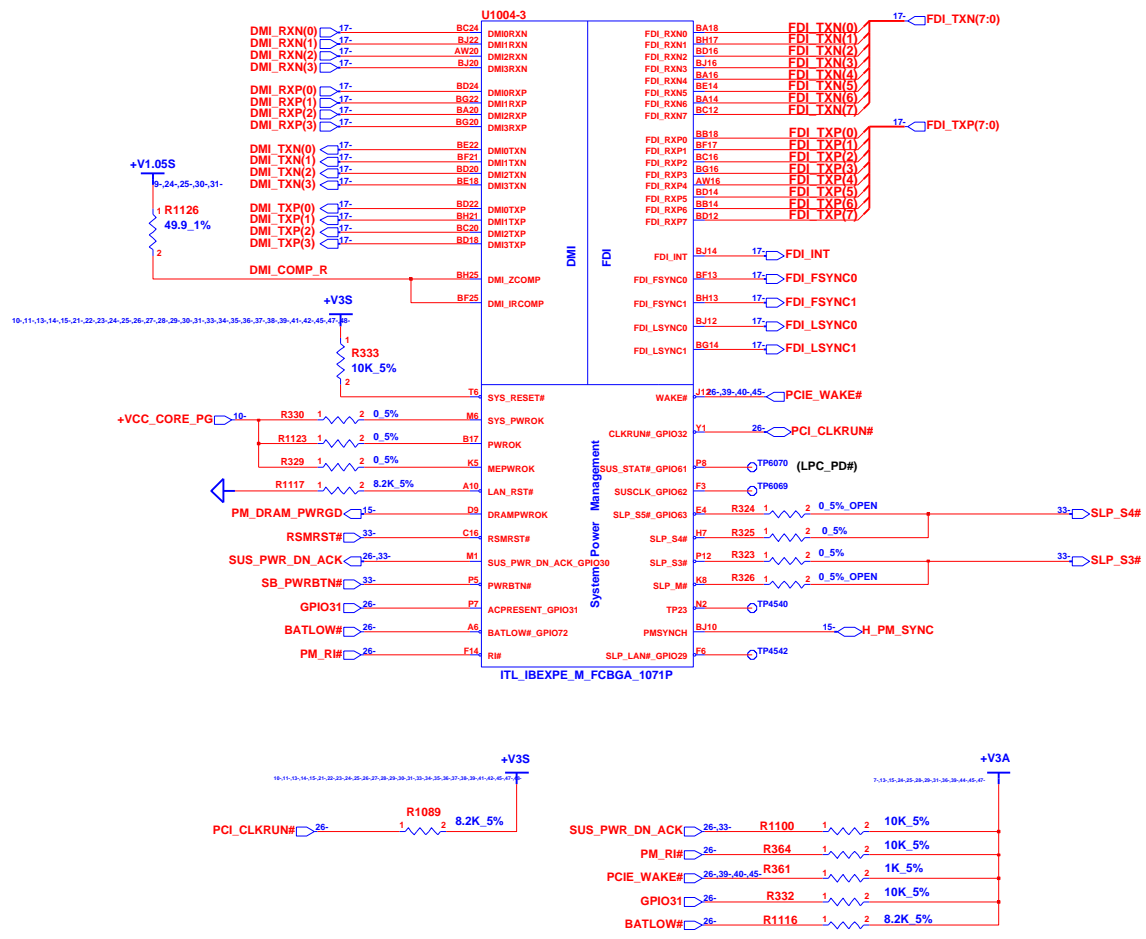
INVENTEC			
TITLE MURRAY			
PCH-1			
SIZE A3	CODE CS	DOC. NUMBER 1310A23512-0-MTR	REV A03
CHANGE by <i>Chou, Leo</i>		1-Mar-2010	
SHEET 24		OF 48	



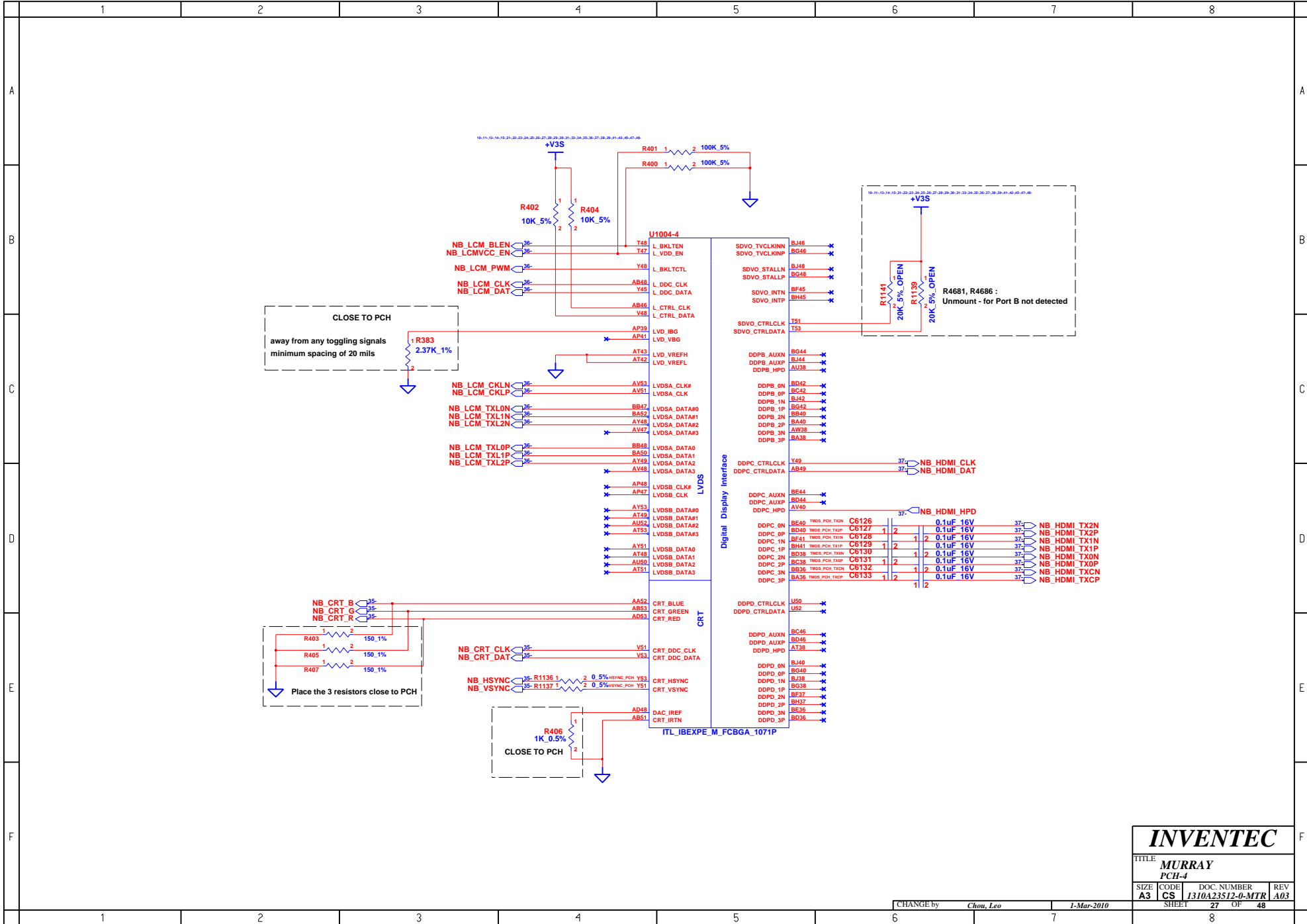
SMB	SML0	SML1
1.CLK GEN		1.CPU Thermal
2.DDR		
3.3D sensor		



INVENTEC			
TITLE: MURRAY PCH-2			
SIZE: A3	CODE: CS	DOC. NUMBER: 1310A23512-0-MTR	REV: A03
CHANGE by: Chou, Leo		1-Mar-2010	
SHEET: 25		OF: 48	



INVENTEC			
TITLE MURRAY			
PCH-3			
SIZE A3	CODE CS	DOC. NUMBER 1310A23512-0-MTR	REV A03
CHANGE by <i>Chou, Leo</i>		1-Mar-2010	
SHEET 26		OF 48	



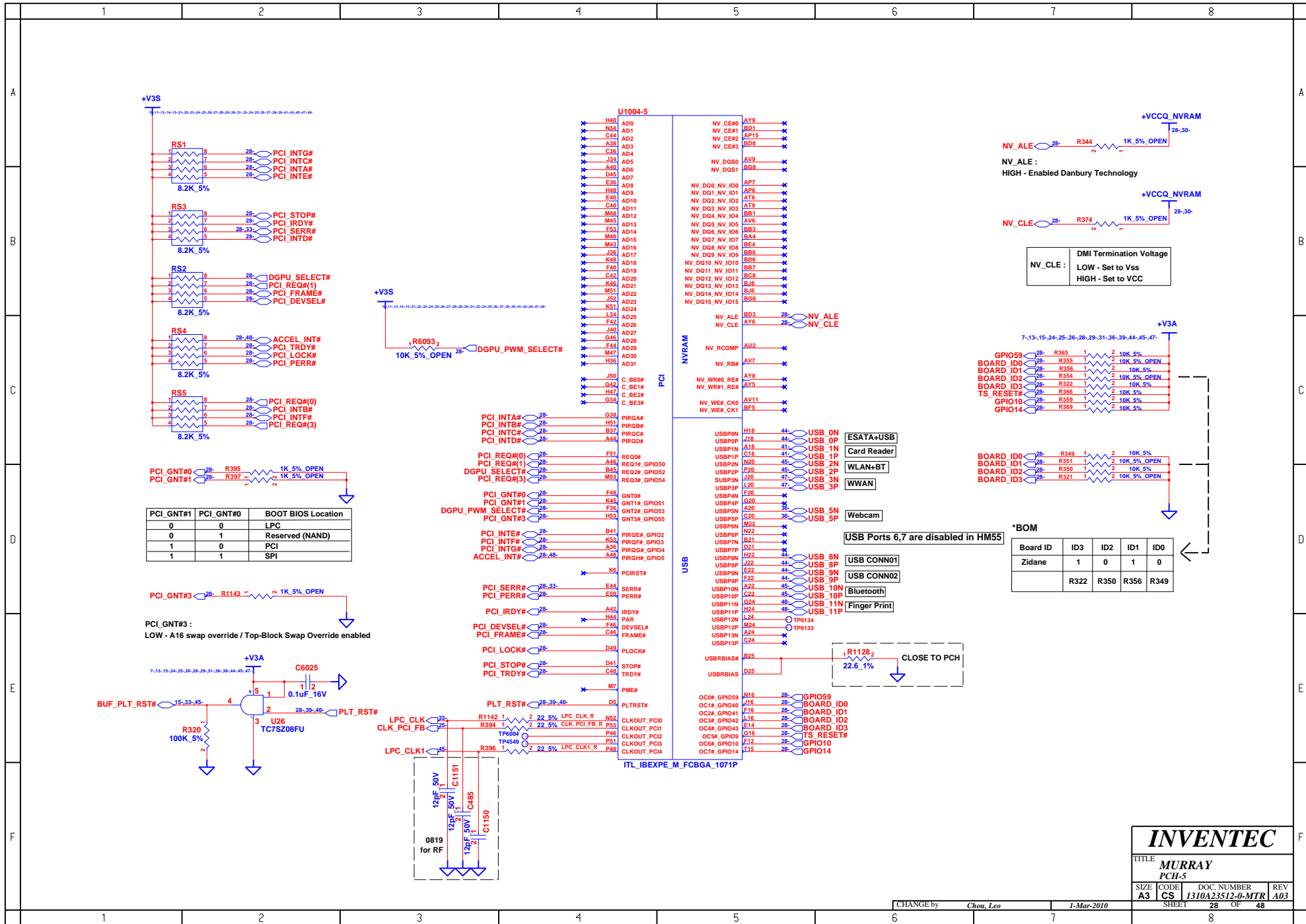
INVENTEC

TITLE: **MURRAY**
PCH-4

SIZE	CODE	DOC. NUMBER	REV
A3	CS	1310A23512-0-MTR	A03

CHANGE by: *Chou, Leo* 1-Mar-2010

SHEET 27 OF 48

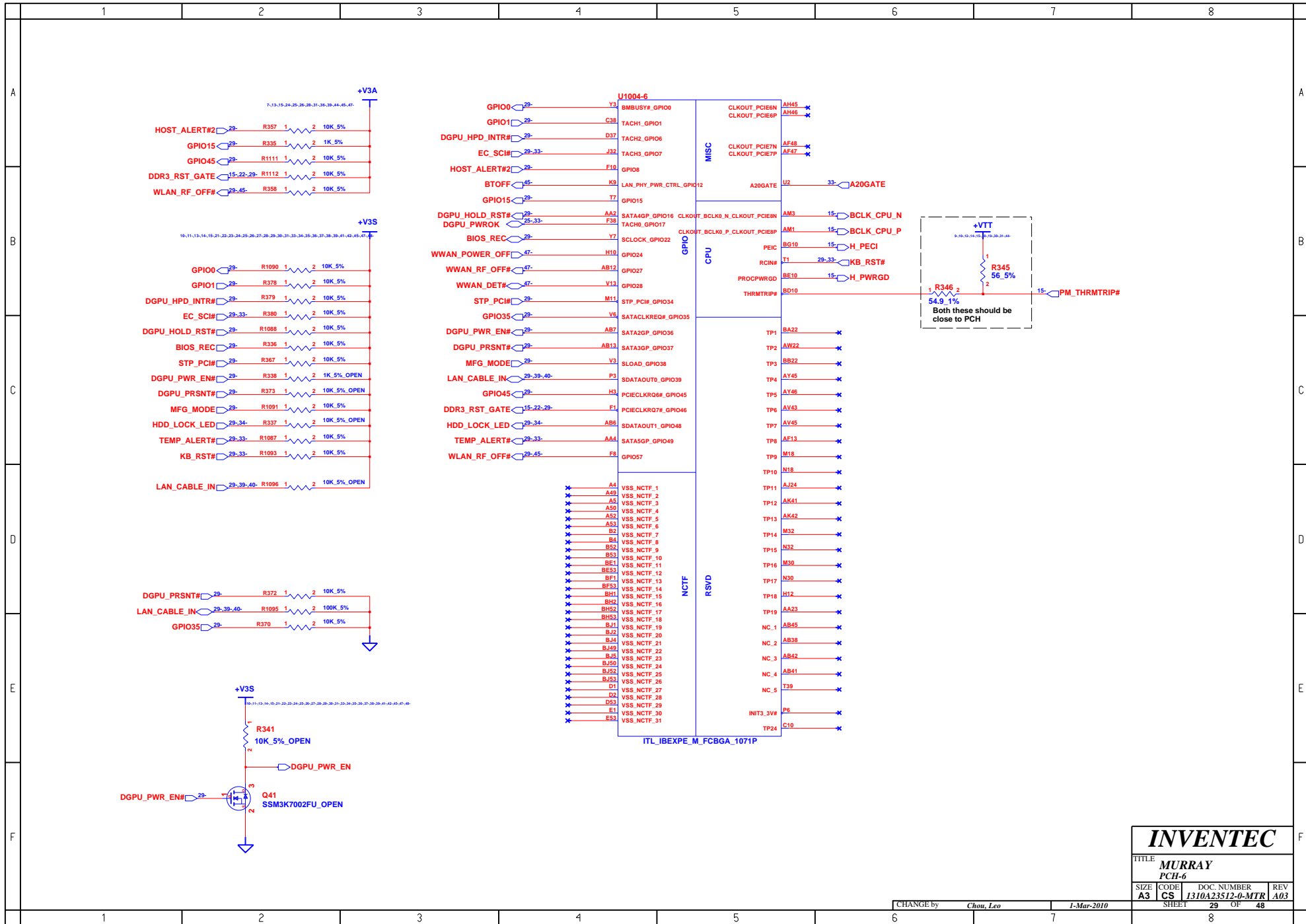


INVENTEC

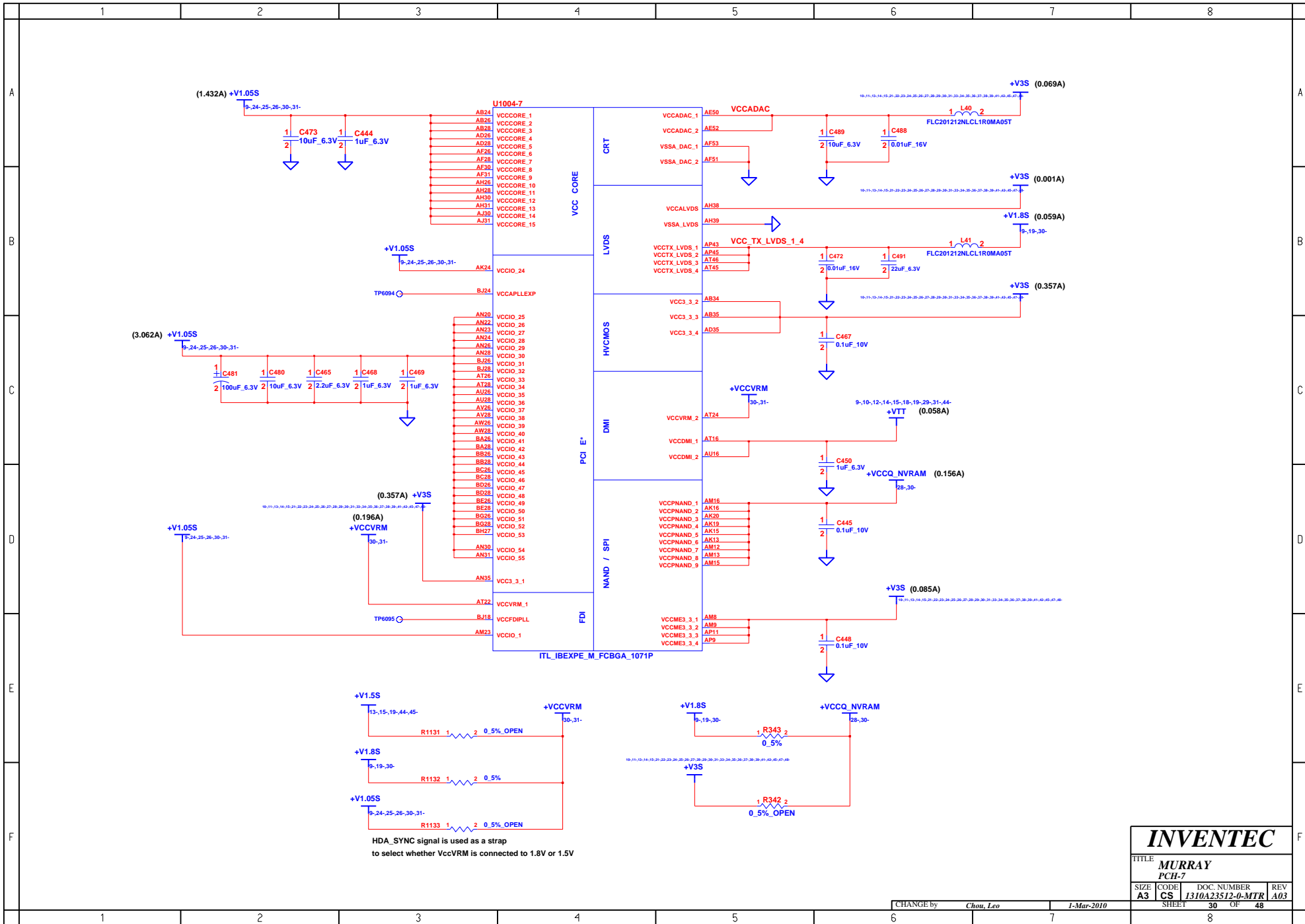
TITLE: **MURRAY PCH-5**

SIZE	CODE	DOC. NUMBER	REV
A3	CS	1310A23512-0-MTR	A03

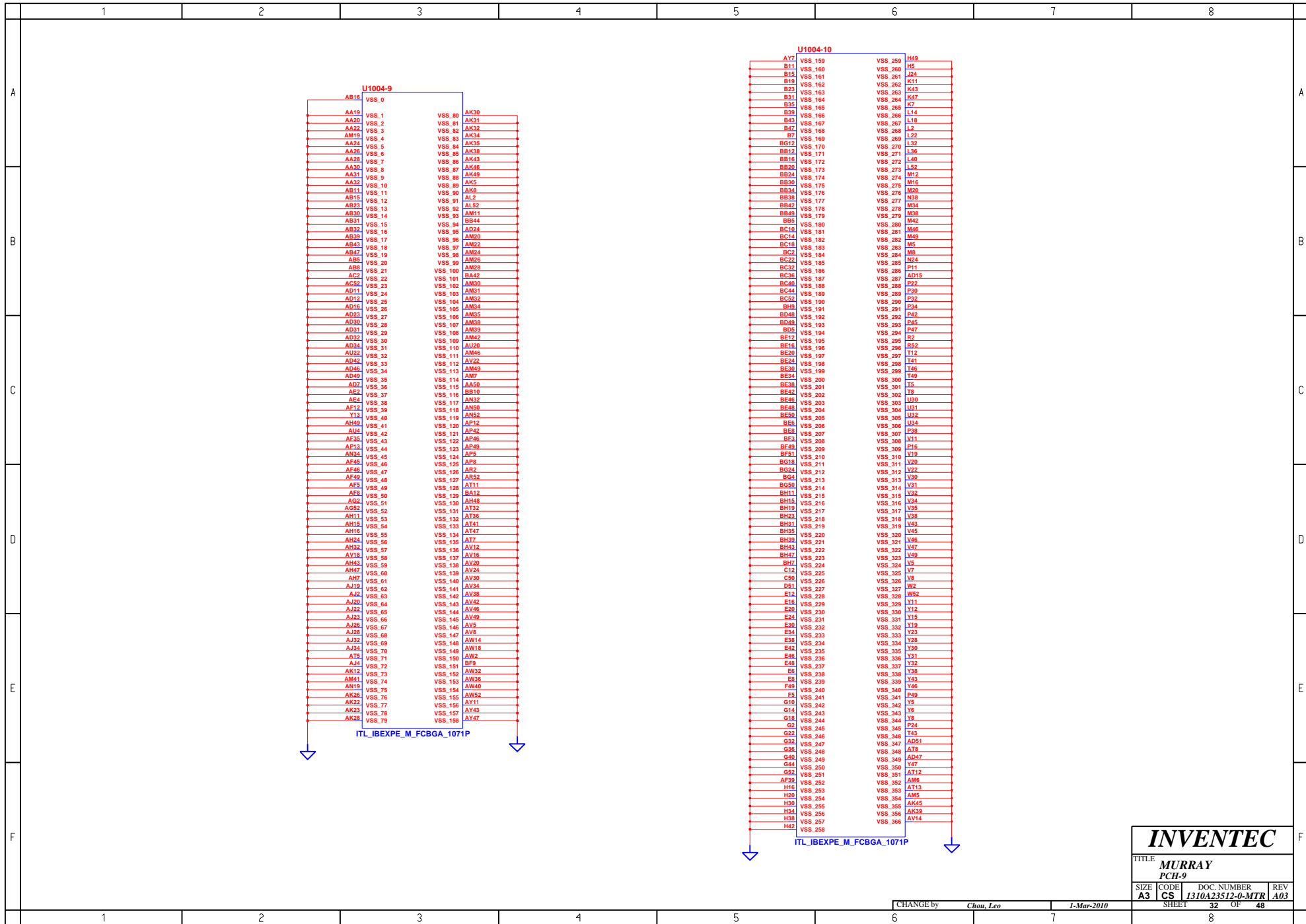
SHEET 28 OF 48



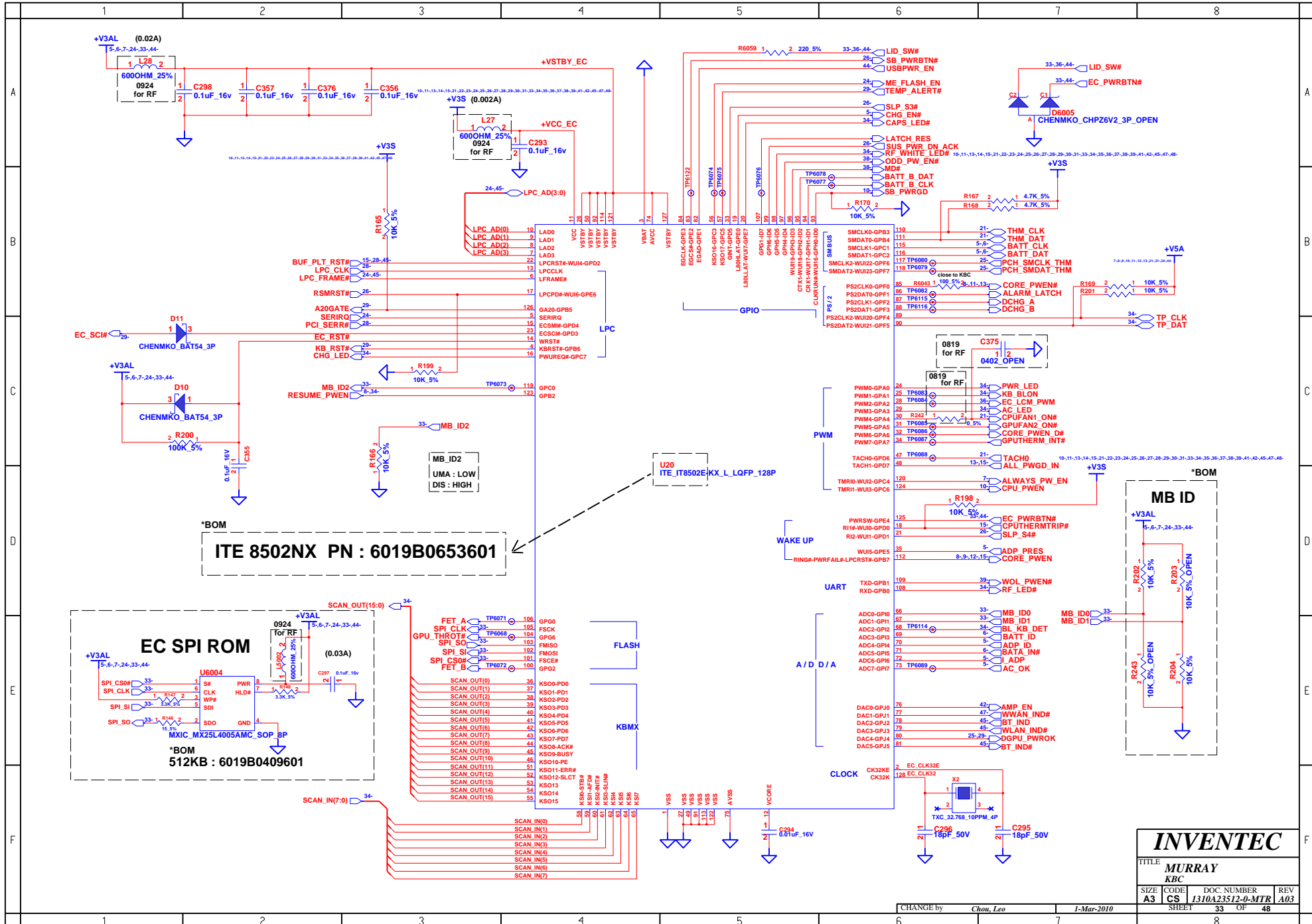
INVENTEC			
TITLE MURRAY			
PCH-6			
SIZE A3	CODE CS	DOC. NUMBER 1310A23512-0-MTR	REV A03
CHANGE by <i>Chou, Leo</i>		1-Mar-2010	
SHEET 29		OF 48	



INVENTEC			
TITLE: MURRAY PCH-7			
SIZE: A3	CODE: CS	DOC. NUMBER: 1310A23512-0-MTR	REV: A03
CHANGE by: <i>Chou, Leo</i>		1-Mar-2010	
SHEET: 30		OF: 48	



INVENTEC			
TITLE MURRAY PCH-9			
SIZE A3	CODE CS	DOC. NUMBER 1310A23512-0-MTR	REV A03
CHANGE by Chou, Leo		1-Mar-2010	
SHEET 32		OF 48	

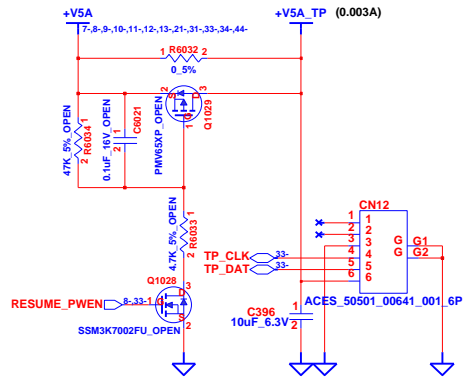


***BOM**
ITE 8502NX PN : 6019B0653601

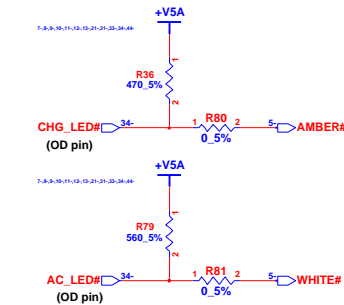
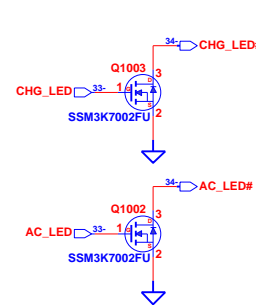
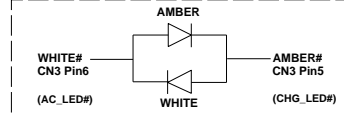
EC SPI ROM
 0924 for RF
 U6004
 MXIC_MX25L4005AMC_SOP_8P
 *BOM
512KB : 6019B0409601

INVENTEC			
TITLE MURRAY			
KBC			
SIZE A3	CODE CS	DOC. NUMBER 1310A23512-0-MTR	REV A03
CHANGE by Chou, Leo		1-Mar-2010	
SHEET 33		OF 48	

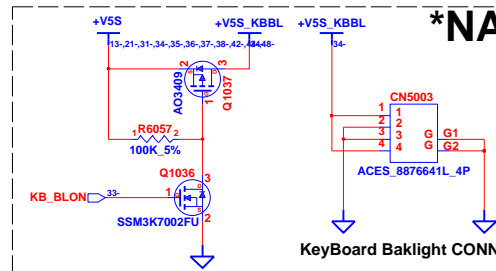
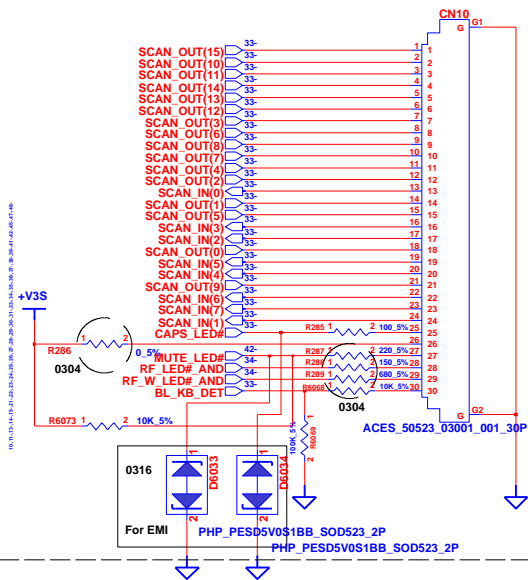
TouchPad Module CONN

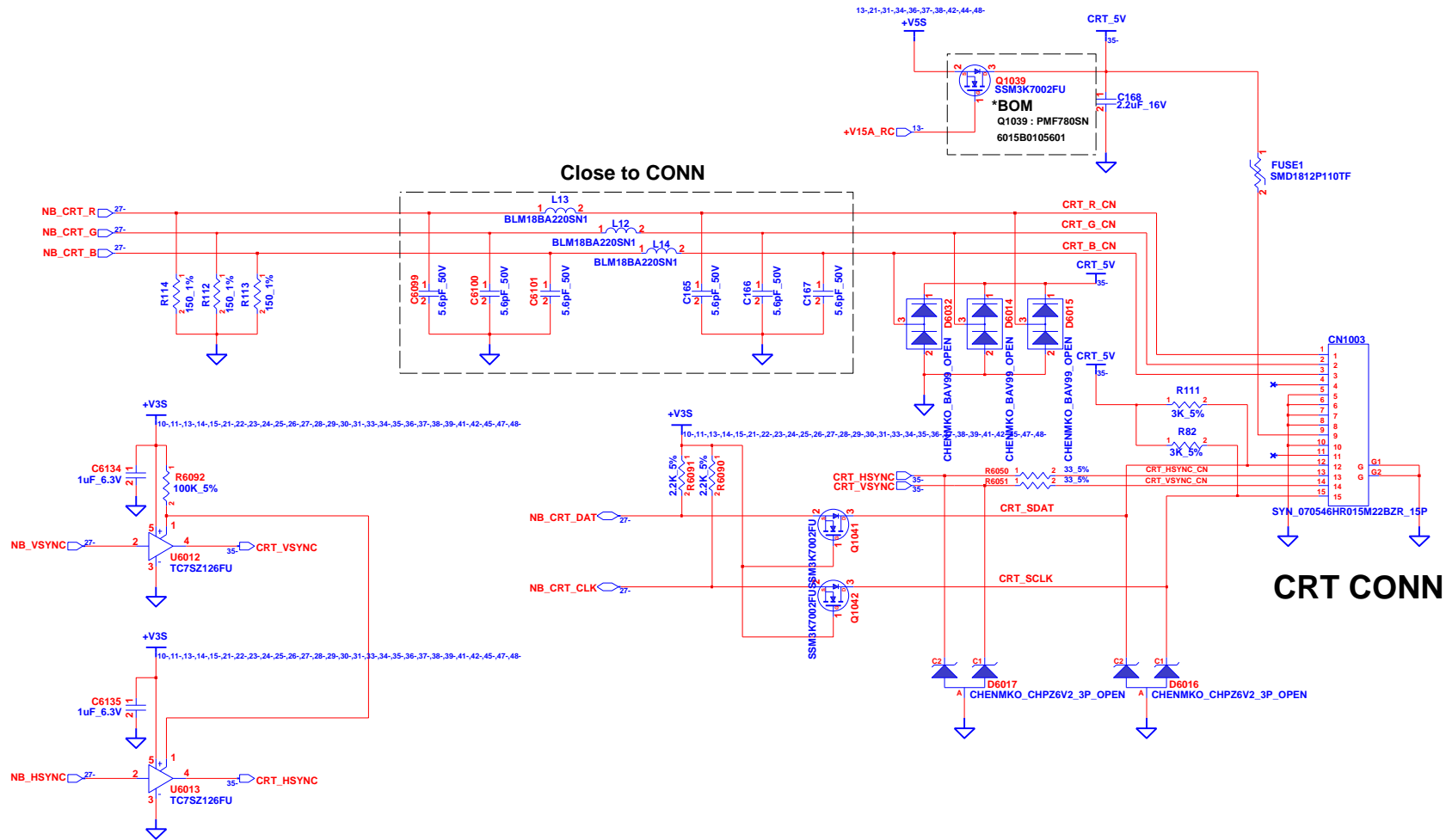


DC-JACK LED

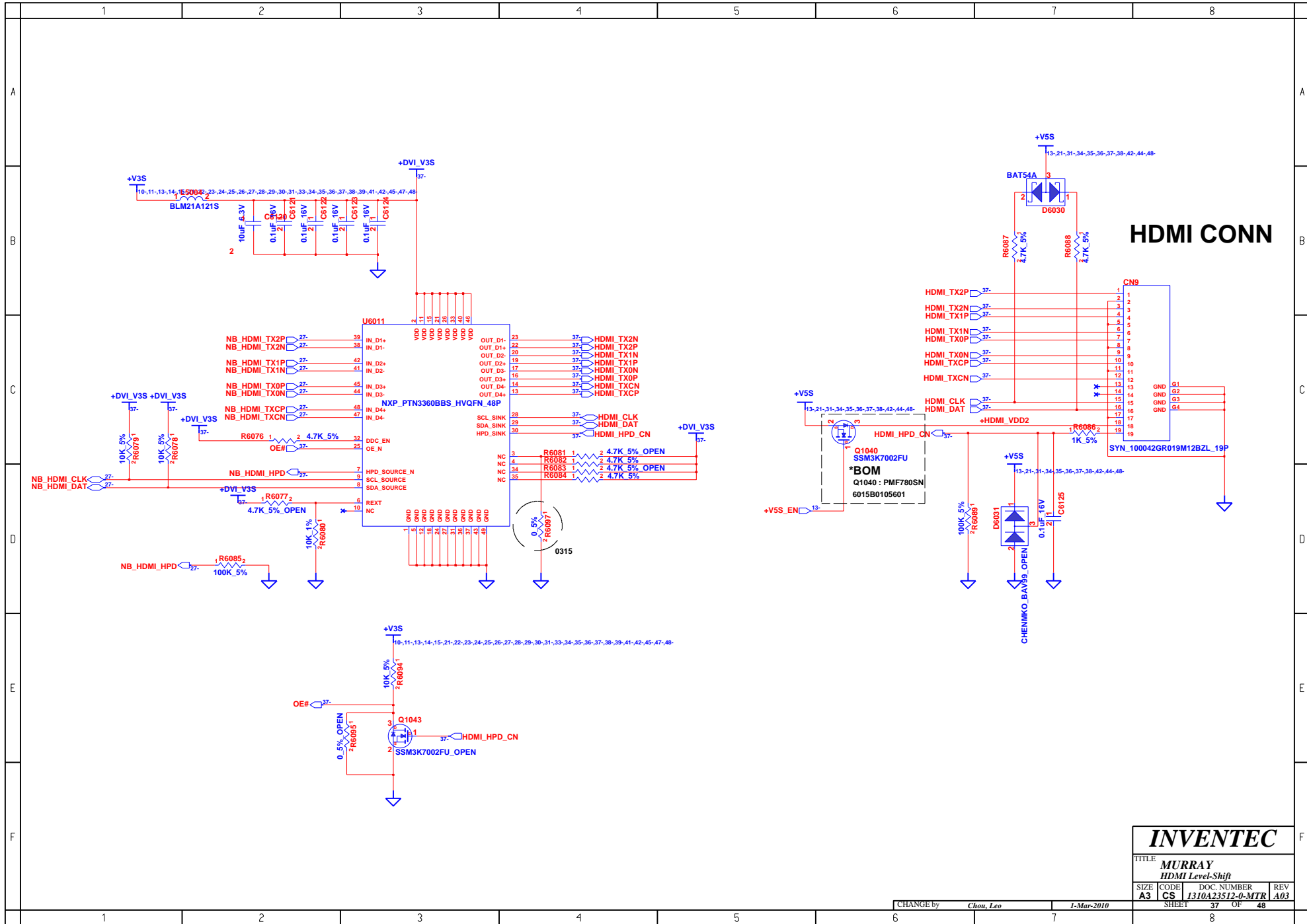


KeyBoard CONN (30 pin)





INVENTEC			
TITLE MURRAY			
CRT			
SIZE A3	CODE CS	DOC. NUMBER 1310A23512-0-MTR	REV A03
CHANGE by Chou, Leo		1-Mar-2010	
SHEET 35		OF 48	



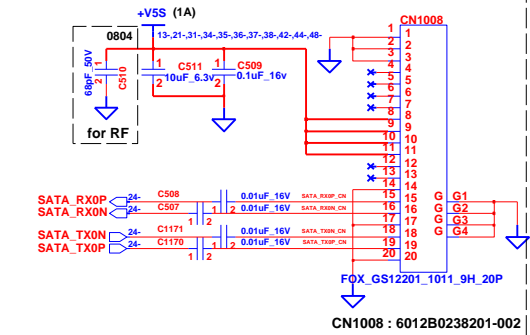
HDMI CONN

INVENTEC

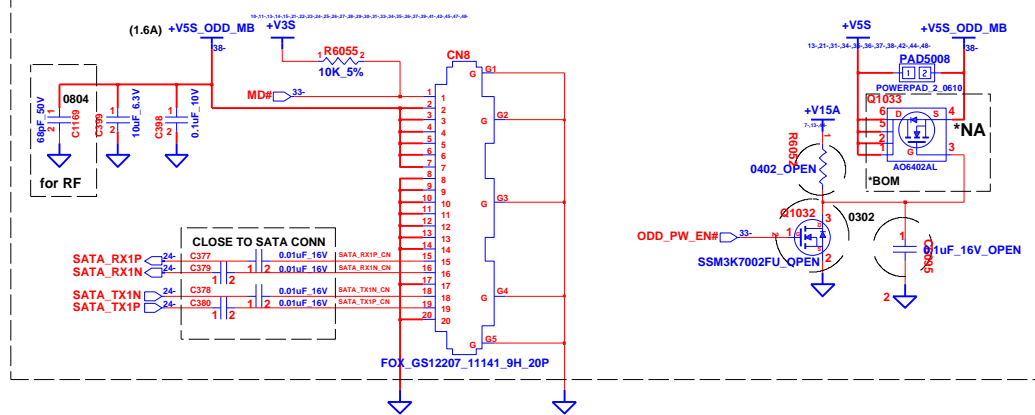
TITLE			
MURRAY			
HDMI Level-Shift			
SIZE	CODE	DOC NUMBER	REV
A3	CS	1310A23512-0-MTR	A03
CHANGE by		SHEET	
Chou, Leo		37 OF 48	

1-Mar-2010

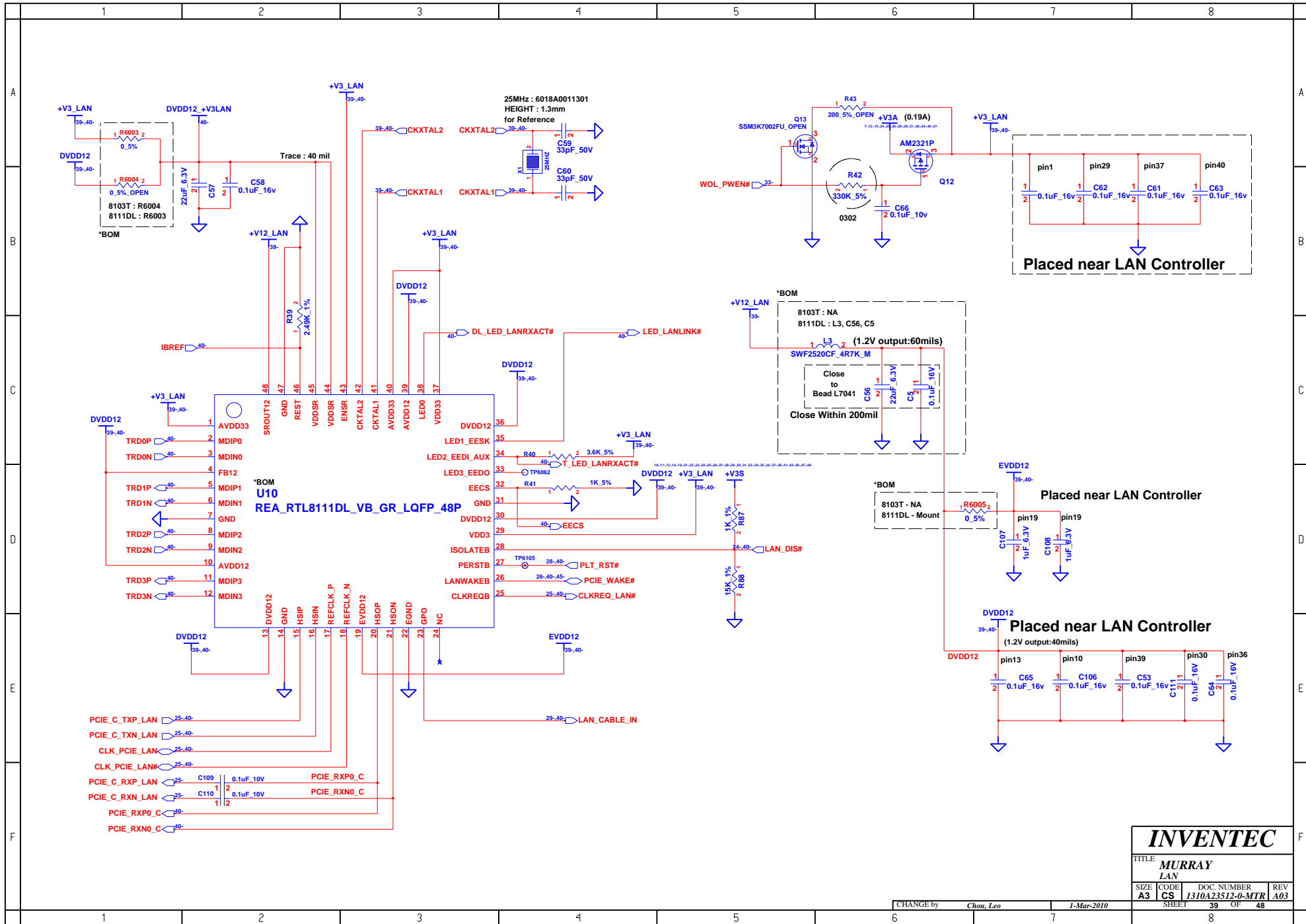
SATA HDD FPC CONN on MB



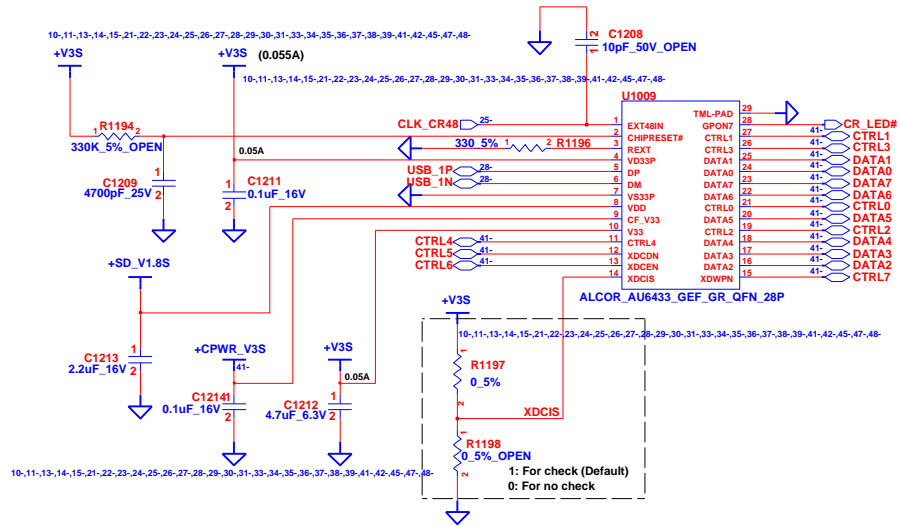
SATA ODD FPC CONN on MB



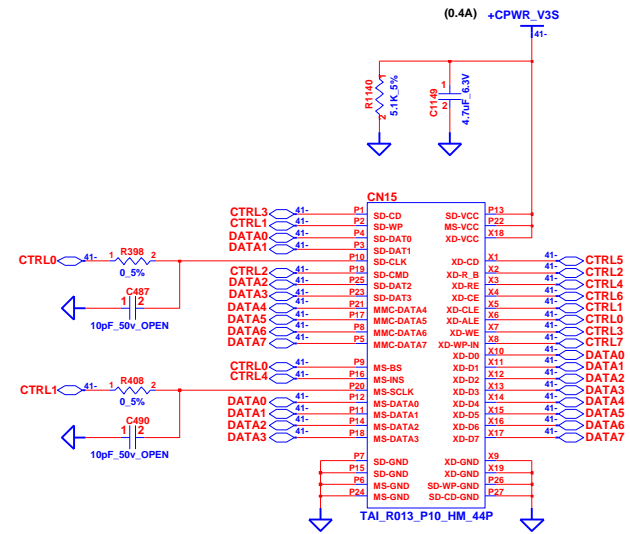
INVENTEC			
TITLE MURRAY SATA HDD & ODD			
SIZE A3	CODE CS	DOC NUMBER 1310A23512-0-MTR	REV A03
CHANGE by <i>Chou, Leo</i>		1-Mar-2010	
SHEET 38		OF 48	



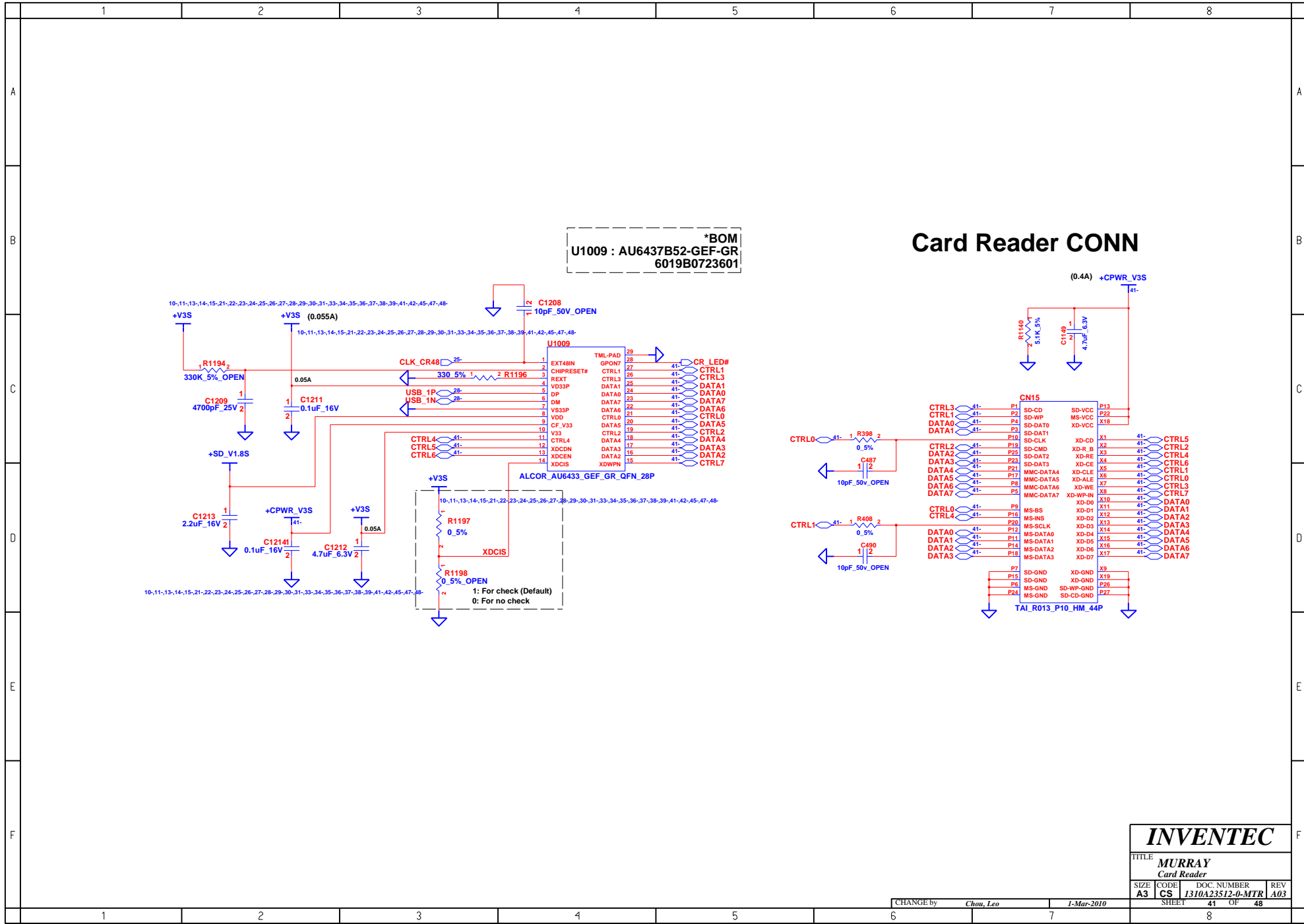
*BOM
 U1009 : AU6437B52-GEF-GR
 6019B0723601

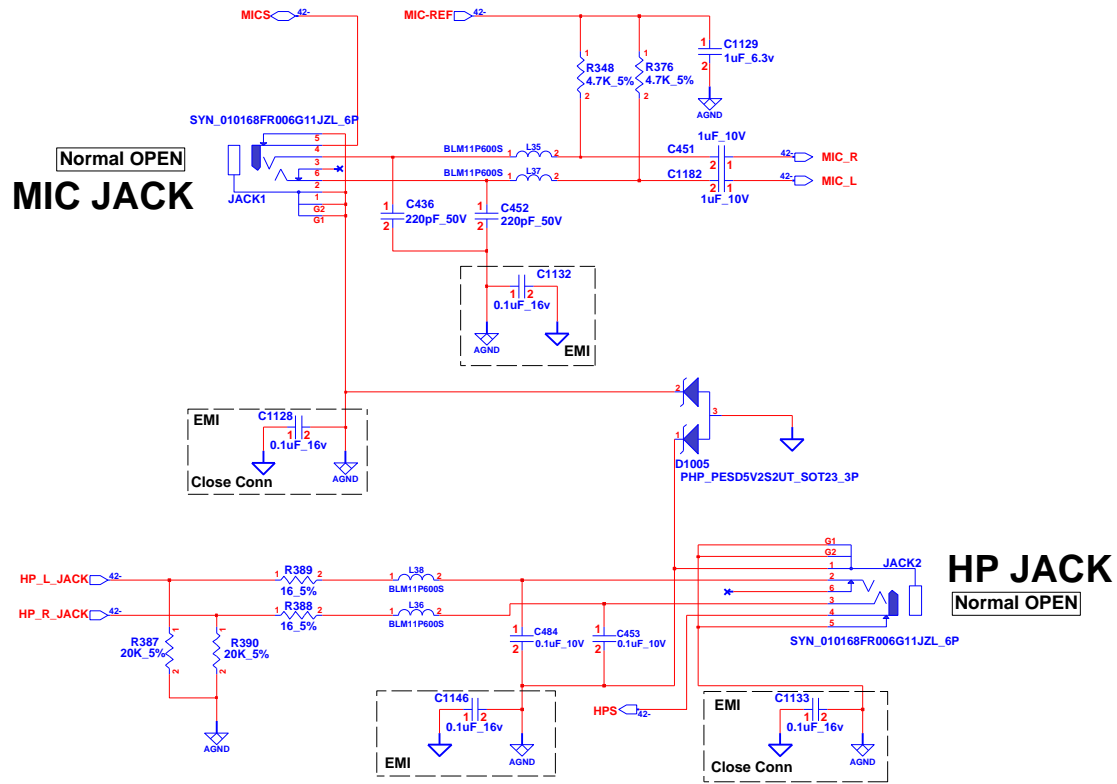


Card Reader CONN



INVENTEC			
TITLE MURRAY Card Reader			
SIZE A3	CODE CS	DOC NUMBER 1310A23512-0-MTR	REV A03
CHANGE by <i>Chou, Leo</i>		1-Mar-2010	
SHEET 41		OF 48	

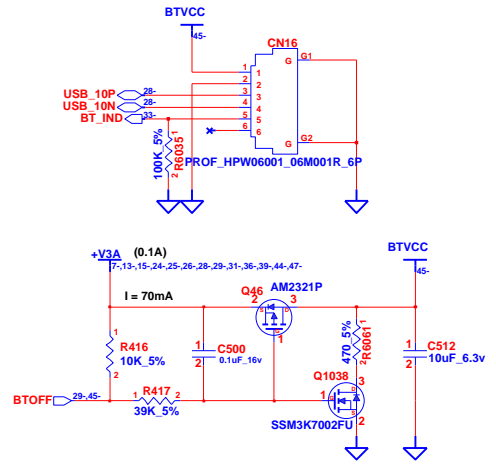




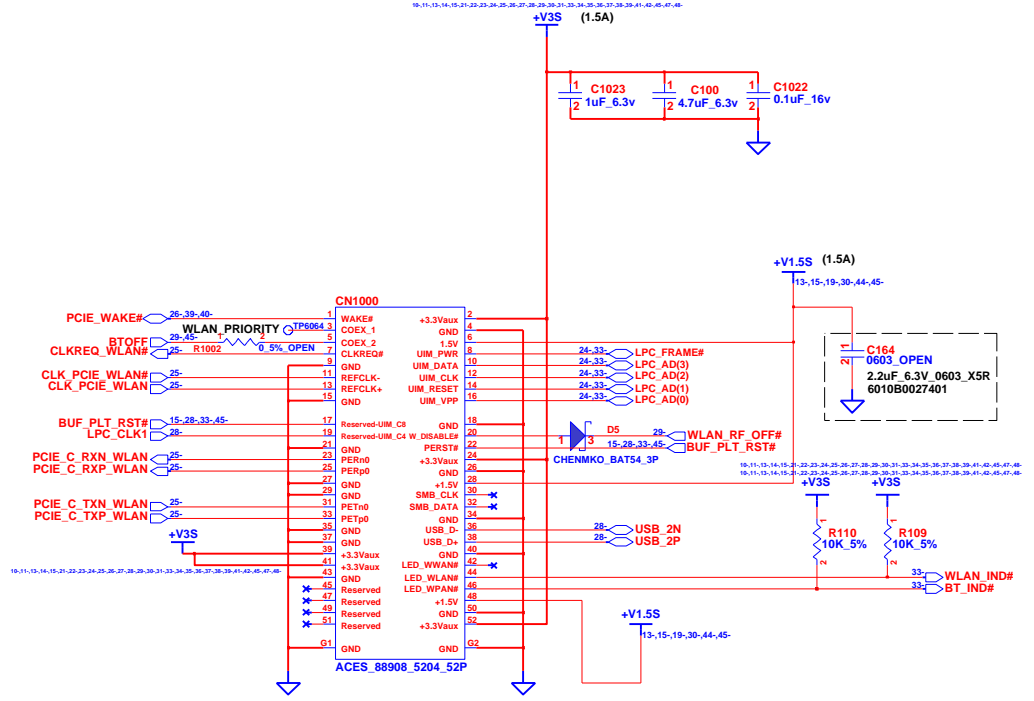
INVENTEC			
TITLE MURRAY HP JACK & MIC JACK			
SIZE A3	CODE CS	DOC NUMBER 1310A23512-0-MTR	REV A03
CHANGE by <i>Chou, Leo</i>		1-Mar-2010	
SHEET 43		OF 48	

1	2	3	4	5	6	7	8
A							A
B							B
C							C
D							D
E							E
F							F
1	2	3	4	5	6	7	8

BLUETOOTH CONN



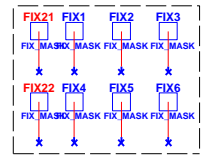
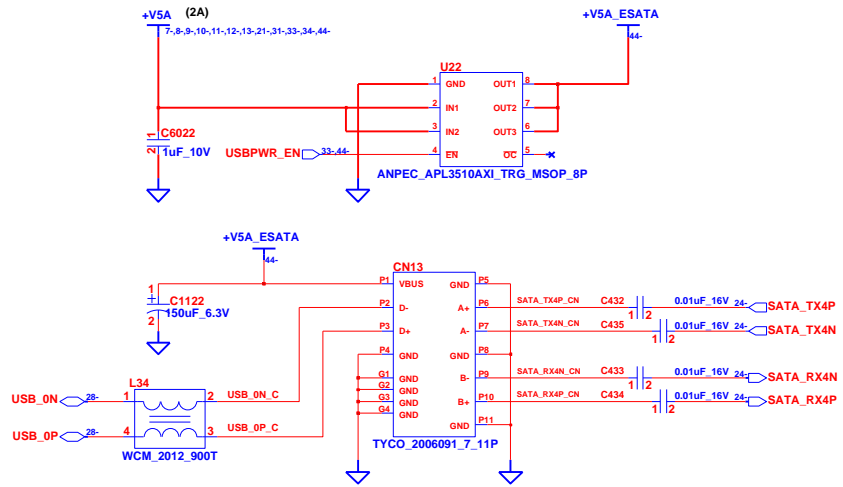
WLAN CONN (MINICARD)



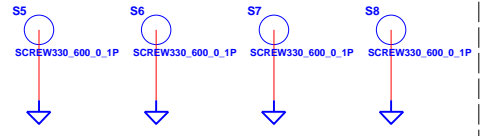
***BOM**
CN1000 : 6026B0184301

INVENTEC			
TITLE MURRAY			
WLAN, BT & WebCAM			
SIZE A3	CODE CS	DOC NUMBER 1310A23512-0-MTR	REV A03
CHANGE by Chou, Leo		1-Mar-2010	
SHEET 45		OF 48	

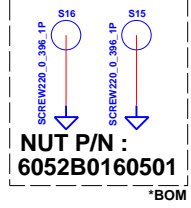
ESATA CONN (without Re-Driver chip)



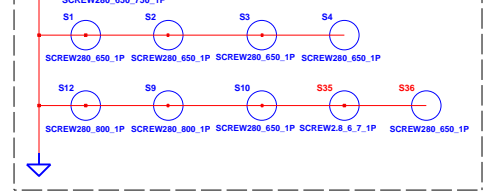
CPU's screws



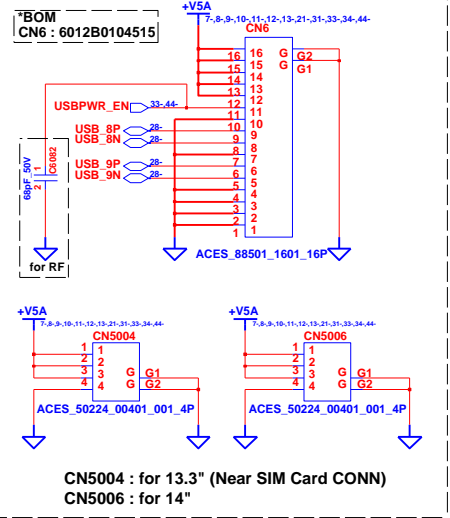
for PCH



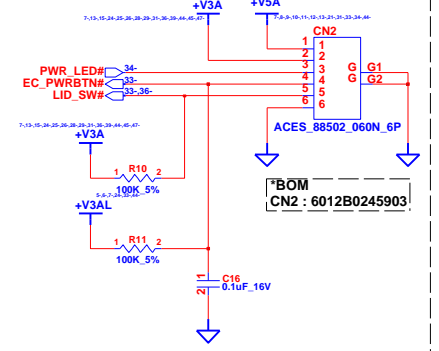
for MB



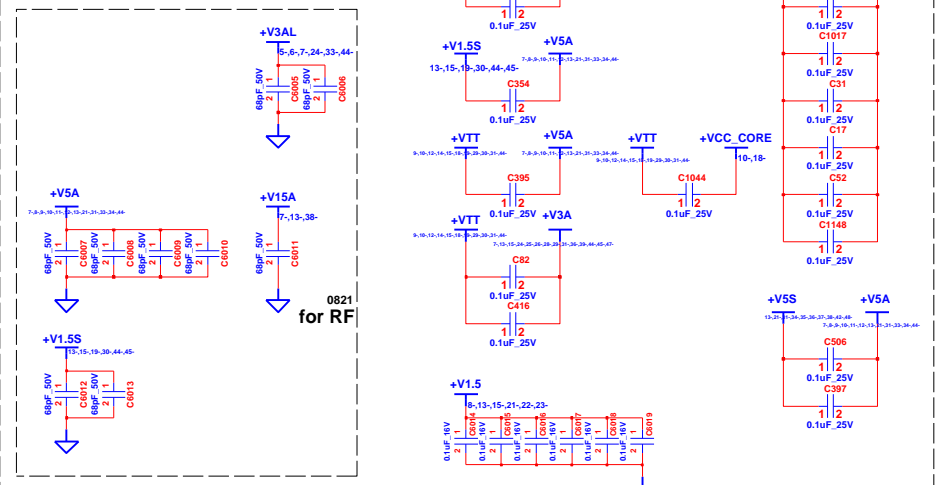
USB BOARD Cable on MB



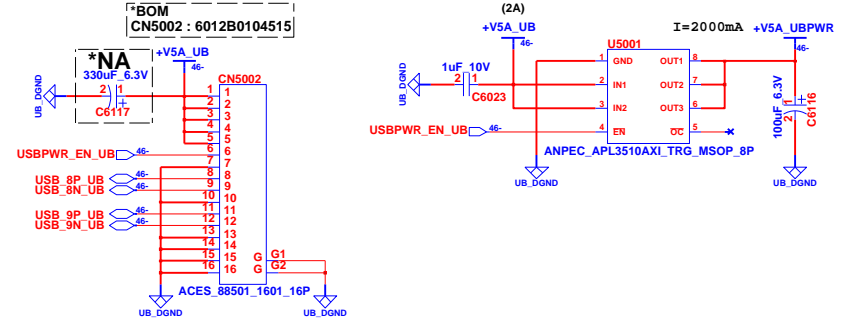
PBN Cable CN on MB



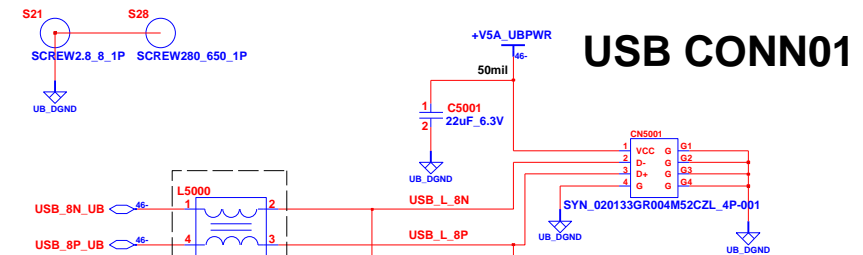
EMI CAPS



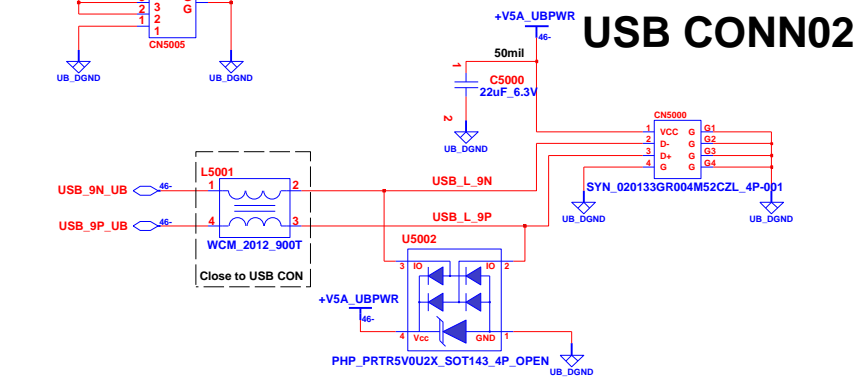
USB BOARD



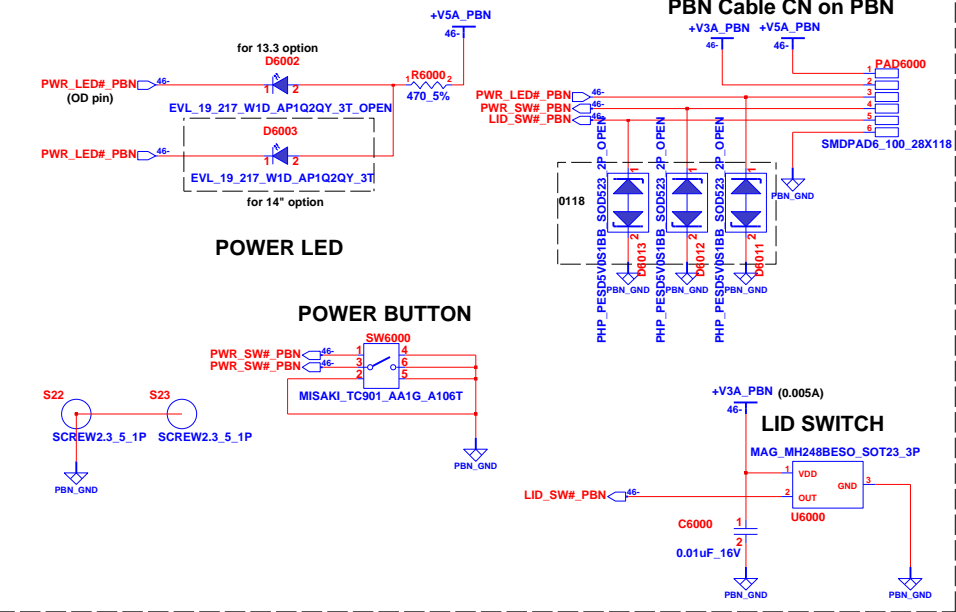
USB CONN01



USB CONN02



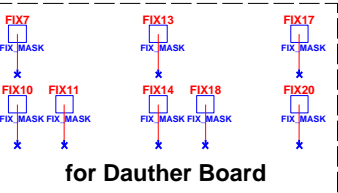
Power Button Board



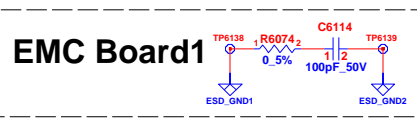
POWER LED

POWER BUTTON

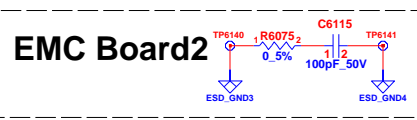
LID SWITCH



EMC Board1



EMC Board2

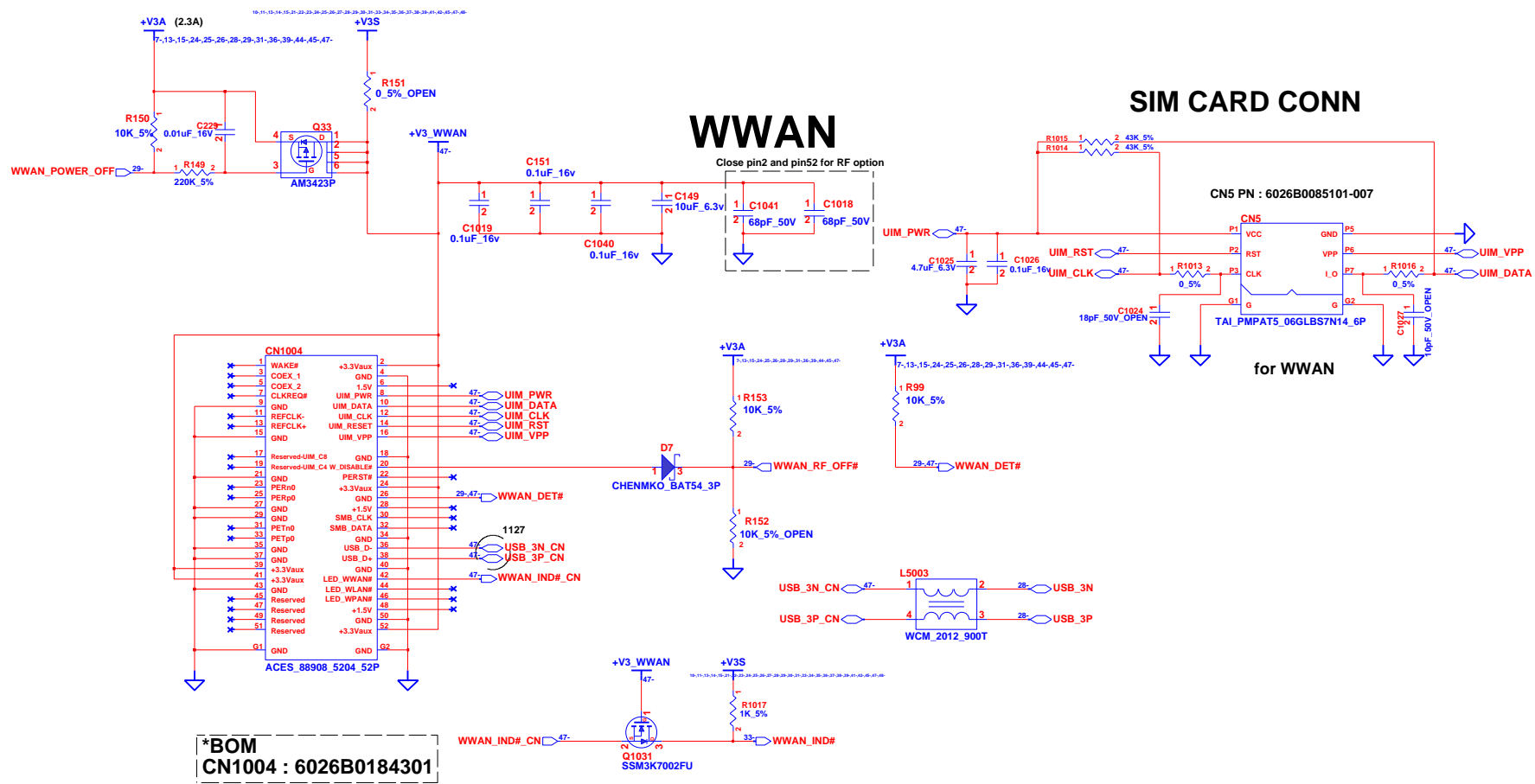


INVENTEC

TITLE			
MURRAY			
USB, PowerButton (DB)			
SIZE	CODE	DOC NUMBER	REV
A3	CS	I310A23512-0-MTR	A03

CHANGE by	Chou, Leo	1-Mar-2010
SHEET	46	OF 48

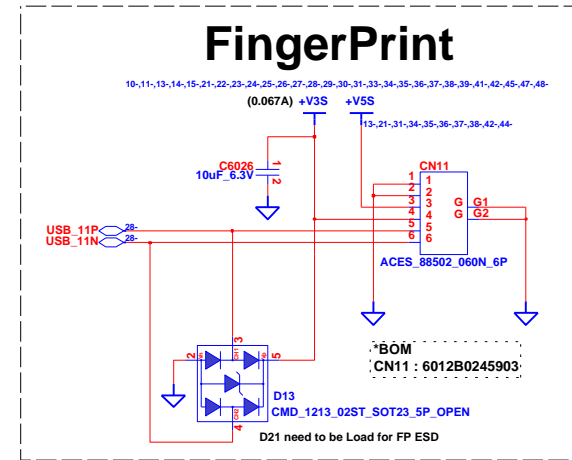
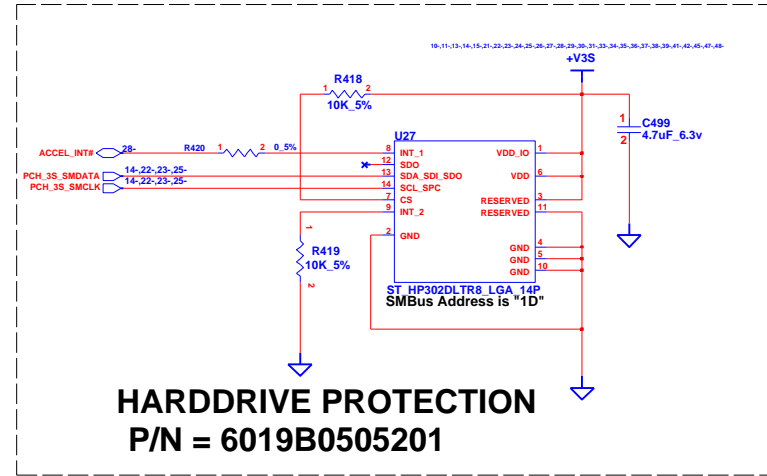
OPTION PART



***BOM**
CN1004 : 6026B0184301

INVENTEC			
TITLE MURRAY			
WWAN(Option)			
SIZE A3	CODE CS	DOC NUMBER 1310A23512-0-MTR	REV A03
CHANGE by <i>Chou, Leo</i>		1-Mar-2010	
SHEET 47		OF 48	

OPTION PART



INVENTEC

TITLE			
MURRAY			
Touchscreen, FP & HD LOCK(Option)			
SIZE	CODE	DOC. NUMBER	REV
A3	CS	I310A23512-0-MTR	A03
CHANGE by		SHEET	
Chou, Leo		48 OF 48	

CHANGE by Chou, Leo 1-Mar-2010