

ZZZ



PCB DAZ@
DA6000YE000
PCB OYR LA-A031P REV0 M/B

S1



FRAME
EC0MV000200

@

Compal Confidential

Schematics Document

VSJEV

MT8317

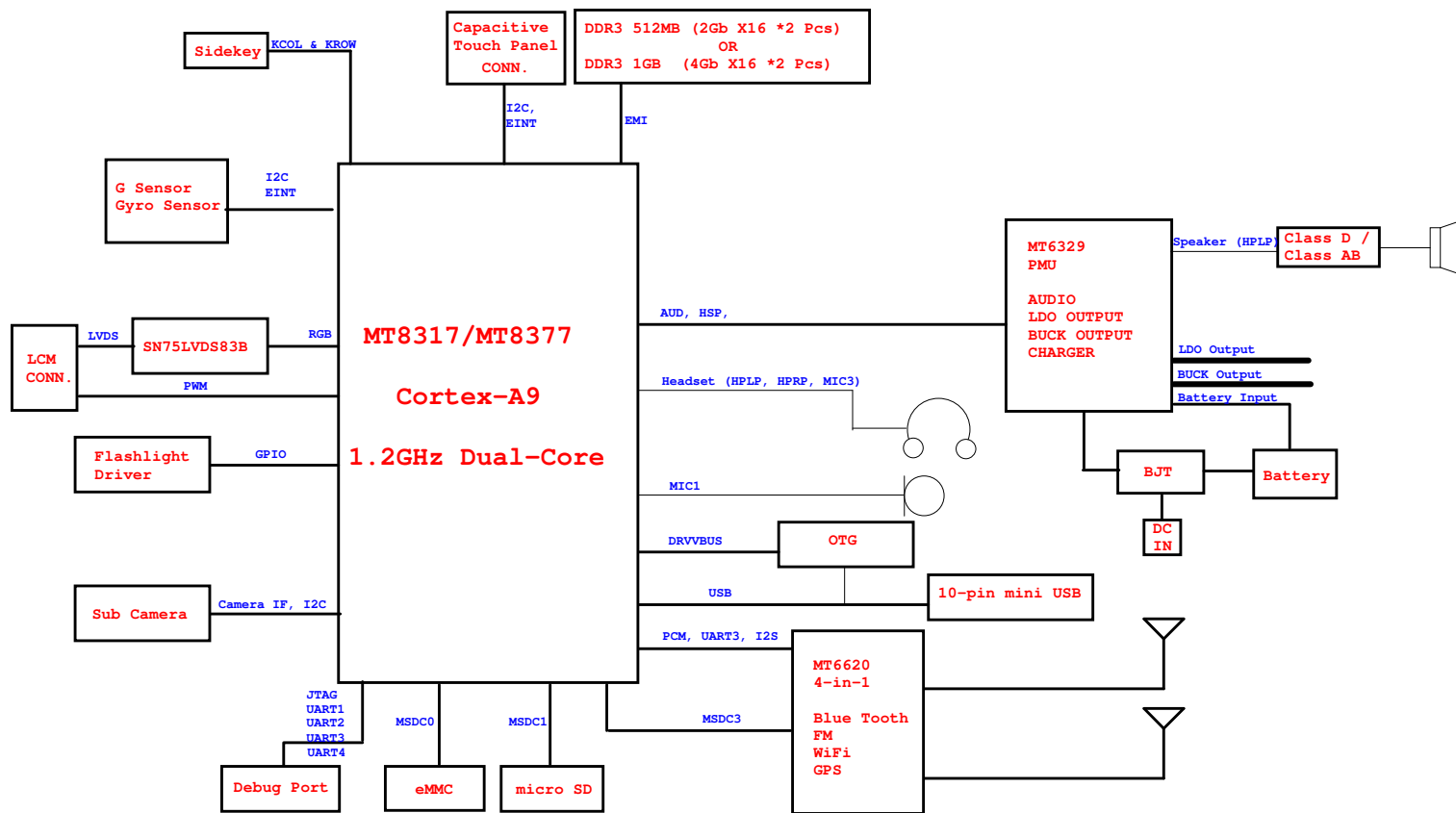
LA-A031P

2013-01-02

REV: 1B

Security Classification		Compal Secret Data		Compal Electronics, Inc.	
Issued Date	2012/11/03	Deciphered Date	2013/11/03	Title	Cover Page
THIS SHEET OF ENGINEERING DRAWING IS THE PROPRIETARY PROPERTY OF COMPAL ELECTRONICS, INC. AND CONTAINS CONFIDENTIAL AND TRADE SECRET INFORMATION. THIS SHEET MAY NOT BE TRANSFERRED FROM THE CUSTODY OF THE COMPETENT DIVISION OF PRODUCT DEVELOPMENT DEPARTMENT EXCEPT AS AUTHORIZED BY COMPAL ELECTRONICS, INC. NEITHER THIS SHEET NOR THE INFORMATION IT CONTAINS MAY BE USED BY OR DISCLOSED TO ANY THIRD PARTY WITHOUT PRIOR WRITTEN CONSENT OF COMPAL ELECTRONICS, INC.				Document Number	Rev
				LA-A031P	1B
				Date:	Wednesday, January 02, 2013
				Sheet	1 of 29

VSJEV system block diagram



Security Classification	Compal Secret Data		Compal Electronics, Inc.	
Issued Date	2012/11/03	Deciphered Date	2013/11/03	Title Block Diagram
THIS SHEET OF ENGINEERING DRAWING IS THE PROPRIETARY PROPERTY OF COMPAL ELECTRONICS, INC. AND CONTAINS CONFIDENTIAL AND TRADE SECRET INFORMATION. THIS SHEET MAY NOT BE TRANSFERRED FROM THE CUSTODY OF THE COMPETENT DIVISION OF R&D DEPARTMENT EXCEPT AS AUTHORIZED BY COMPAL ELECTRONICS, INC. NEITHER THIS SHEET NOR THE INFORMATION IT CONTAINS MAY BE USED BY OR DISCLOSED TO ANY THIRD PARTY WITHOUT PRIOR WRITTEN CONSENT OF COMPAL ELECTRONICS, INC.				Size C
Document Number LA-A031P			Rev 18	Date Wednesday, May 15, 2013
Sheet 2 of 23				

Voltage Rails

MT6329 Power Plane	Function	Power Level	IDLE	Sleep mode
VCORE_PMU	VCORE switching output	0.75 ~ 1.3	ON	Low voltage
VAPROC_PMU	VPROC switching output	0.75 ~ 1.3	ON	Low voltage
VTCXO_PMU	LDO output for TCXO	2.8V	ON	OFF
VCAMA_PMU	LDO output for camera analog	2.8V	ON	Gating by SW
VDD12_INT_PMU	LDO output used for 1.2V SRAM	1.2V	ON	Low voltage
VIO28_IC	LDO output used for 2.8V IO	2.8V	ON	Gating by SW
VCAM_IO	VCAM_IOPMU	1.8V	ON	Gating by SW
VMC_PMU	SD card I/O and eMMC power	3.3V	ON	Gating by SW
VMCH	SD card power	3.3V	ON	Gating by SW
VGP	Reserve for LCM 3.3V	3.3V	ON	Gating by SW
VGP2	Touch panel GT927 power	2.8V	ON	Gating by SW

I2C address

Device	Address(7 bit)	Address(8bit)	
		Write	Read
Gyro (MPU-3050)	0x68	0xD0	0xD1
G-sensor (MC3210)	0x4C	0x98	0x99
Touch screen (GT927)	0x5D	0xBA	0xBB
Camera (OV7675)	0x21	0x42	0x43
Charge (NCP1851)	0x36	0x6C	0x6D
PMU(MT6329)			
Codec			

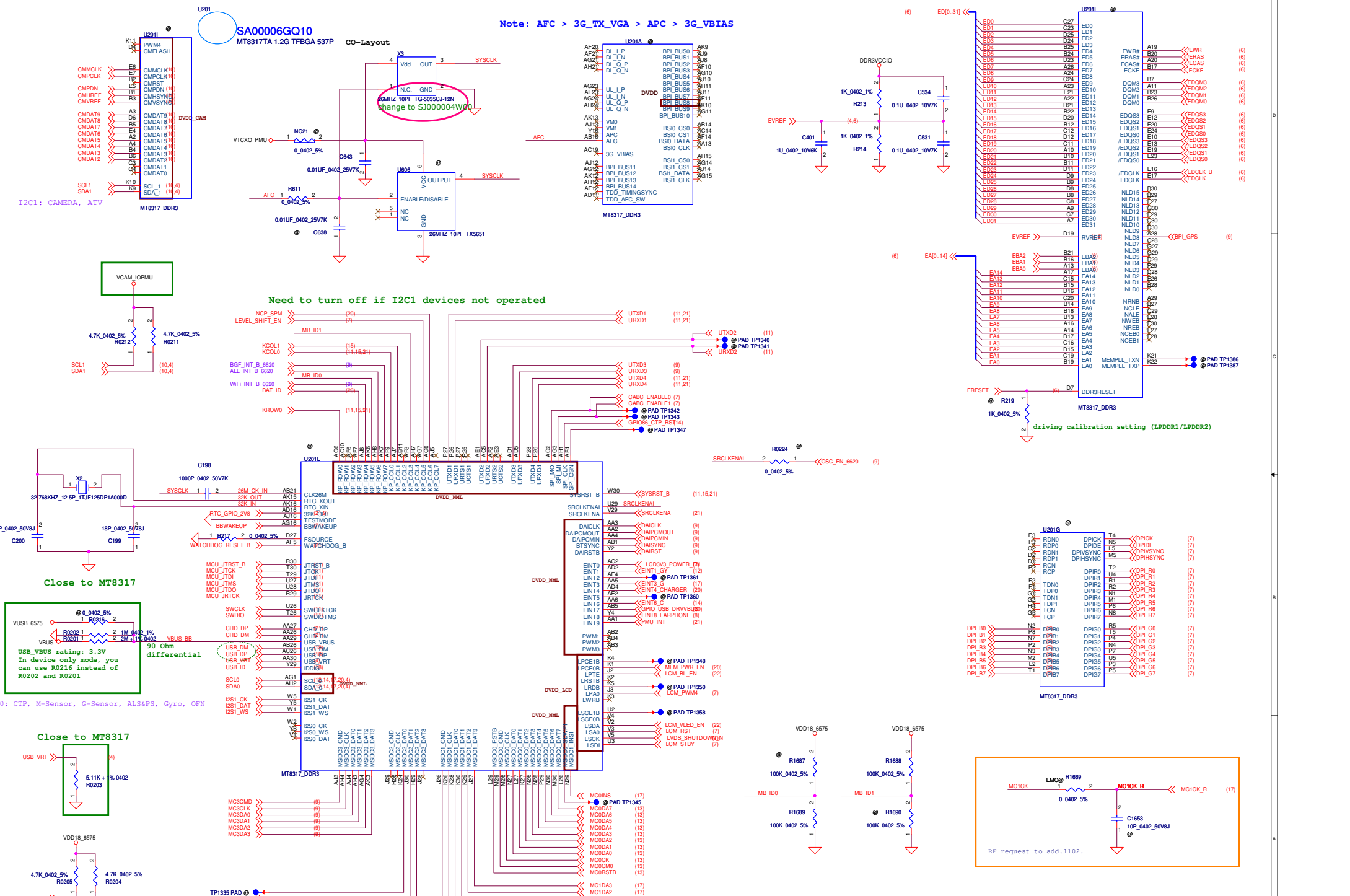
Main board ID

MB_ID0	MB_ID1	
0	0	PCB1.0+mCube
0	1	PCB2.0+mCube
1	0	PCB2.0+STK8311
1	1	PCB2.0+KXTIK

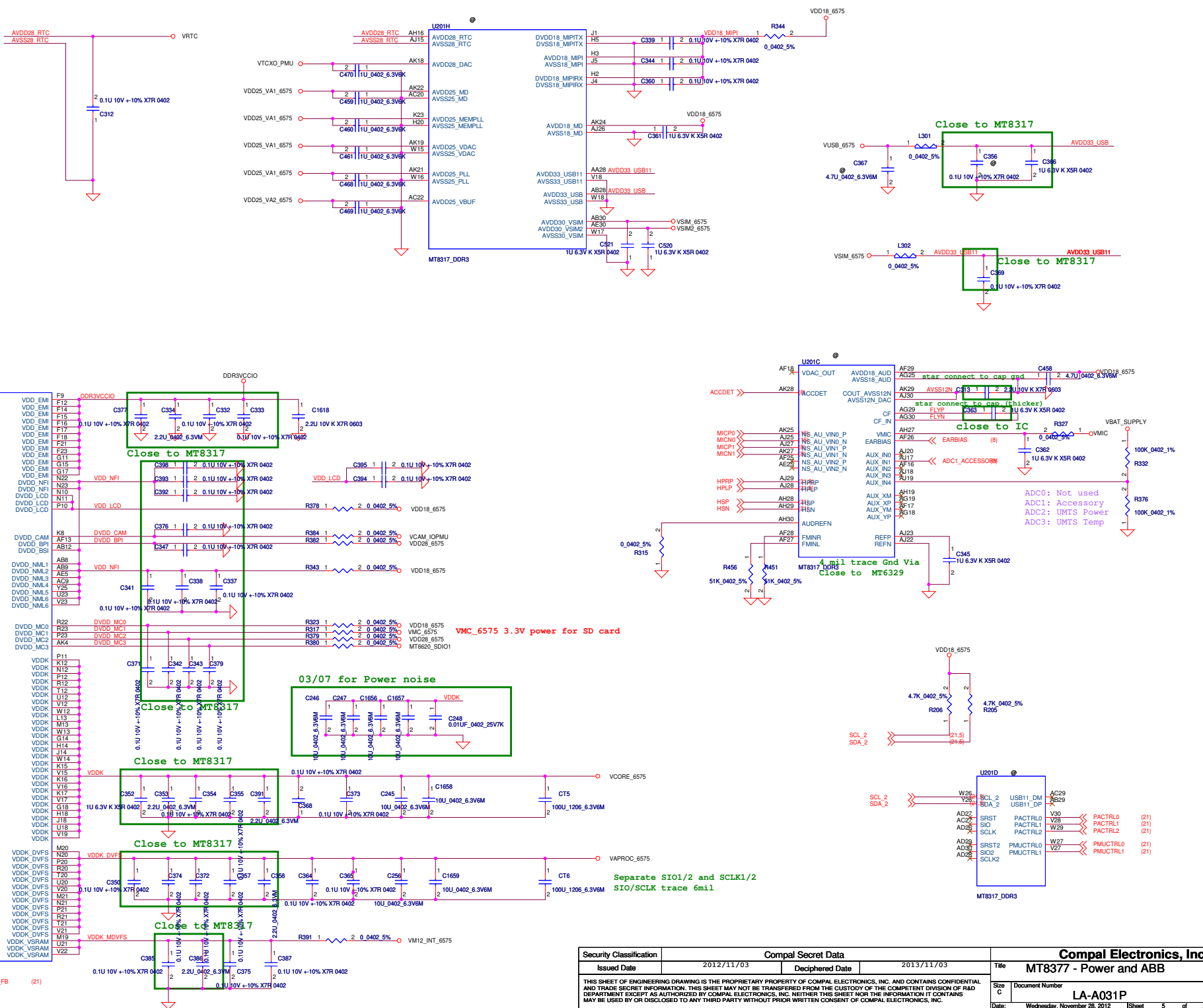
Battery ID

BAT_ID	
1	LG
0	Sanyo

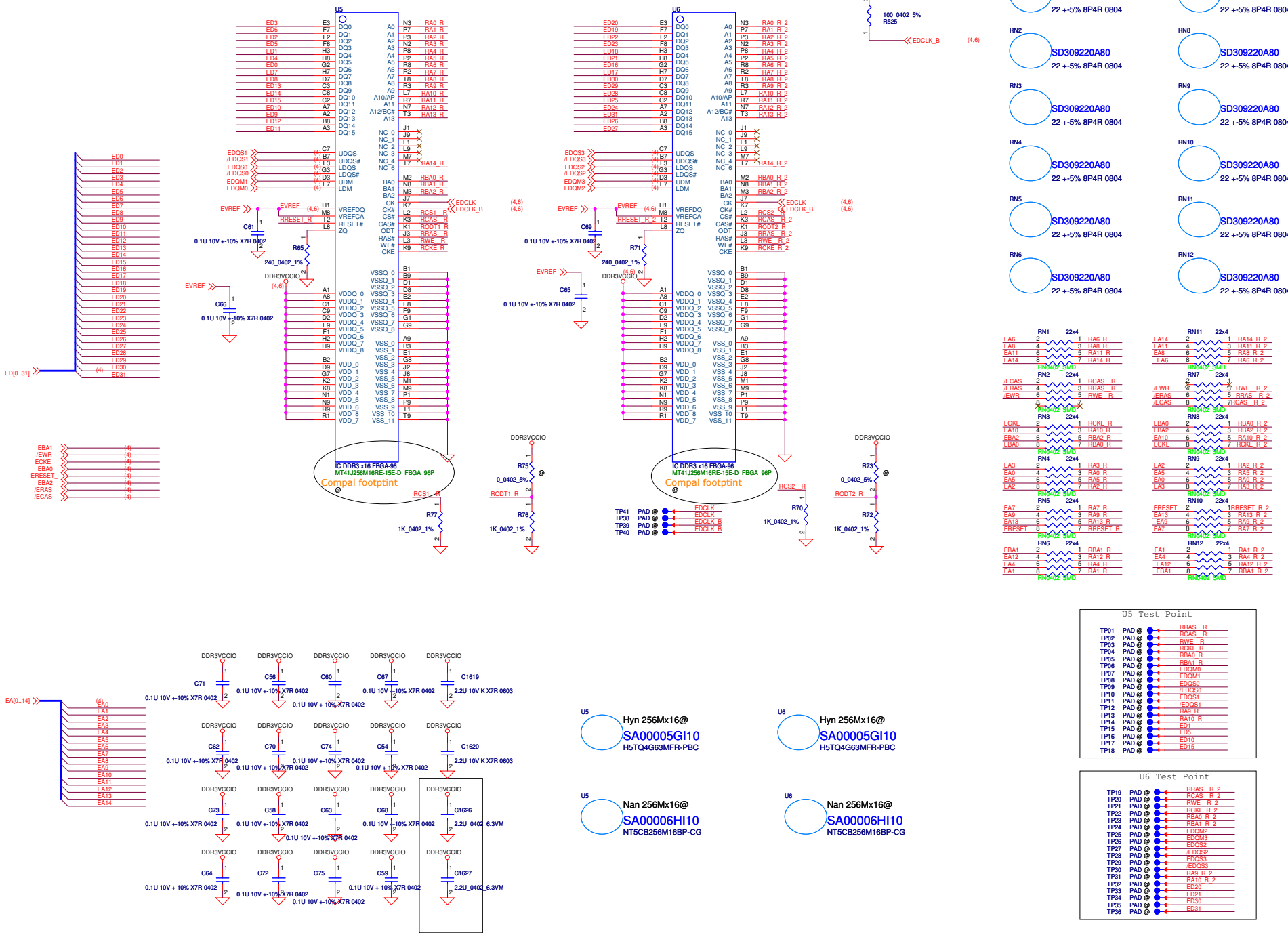
Security Classification		Compal Secret Data		Compal Electronics, Inc.	
Issued Date	2012/11/03	Deciphered Date	2013/11/03	Title	Notes List
THIS SHEET OF ENGINEERING DRAWING IS THE PROPRIETARY PROPERTY OF COMPAL ELECTRONICS, INC. AND CONTAINS CONFIDENTIAL AND TRADE SECRET INFORMATION. THIS SHEET MAY NOT BE TRANSFERRED FROM THE CUSTODY OF THE COMPETENT DIVISION OF R&D DEPARTMENT EXCEPT AS AUTHORIZED BY COMPAL ELECTRONICS, INC. NEITHER THIS SHEET NOR THE INFORMATION IT CONTAINS MAY BE USED BY OR DISCLOSED TO ANY THIRD PARTY WITHOUT PRIOR WRITTEN CONSENT OF COMPAL ELECTRONICS, INC.				Size Custom	Document Number LA-A031P
Date:	Friday, January 04, 2013	Sheet	3 of 23	Rev	1B



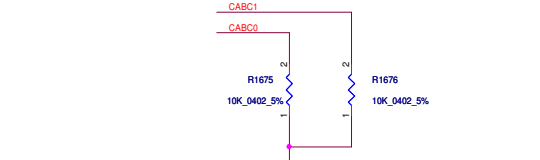
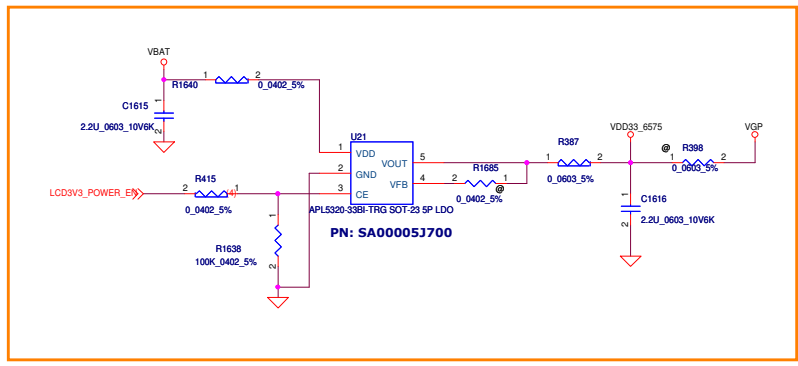
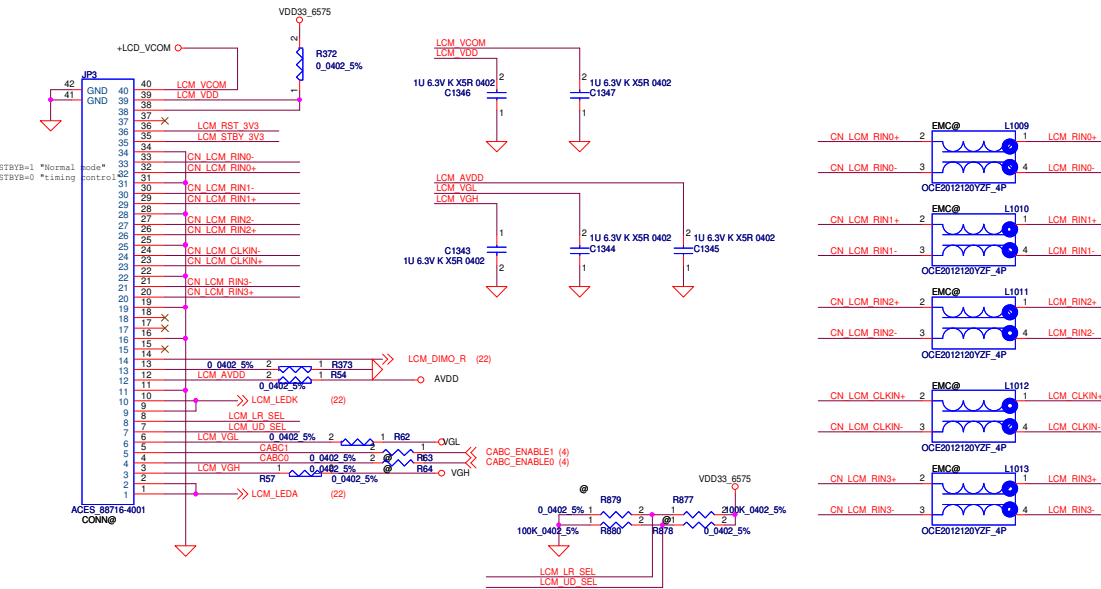
Security Classification	Compal Secret Data		Compal Electronics, Inc.
Issued Date	2012/11/03	Deciphered Date	2013/11/03
THIS SHEET OF ENGINEERING DRAWINGS IS THE PROPRIETARY PROPERTY OF COMPAL ELECTRONICS, INC. AND CONTAINS CONFIDENTIAL AND TRADE SECRET INFORMATION. THIS SHEET MAY NOT BE TRANSFERRED FROM THE CUSTODY OF THE COMPETENT DIVISION OF R&D DEPARTMENT EXCEPT AS AUTHORIZED BY COMPAL ELECTRONICS, INC. NEITHER THIS SHEET NOR THE INFORMATION IT CONTAINS MAY BE USED BY OR DISCLOSED TO ANY THIRD PARTY WITHOUT PRIOR WRITTEN CONSENT OF COMPAL ELECTRONICS, INC.			Title MT8377 - Baseband
Size	C	Document Number	LA-A031P
Date:	Wednesday, December 19, 2012	Sheet	4 of 23



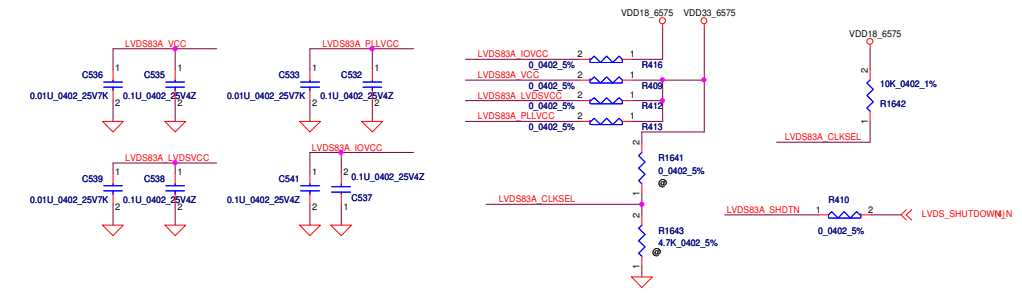
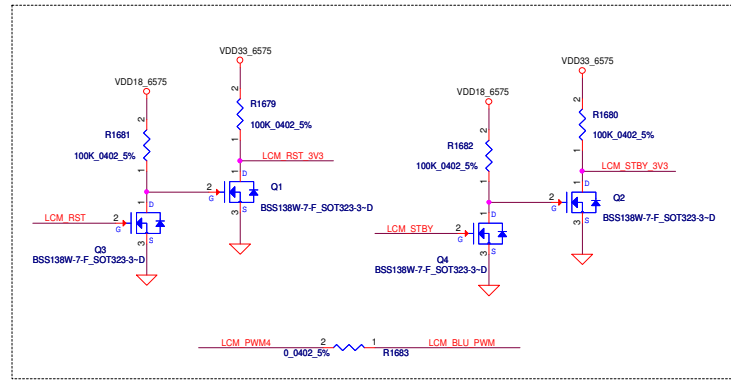
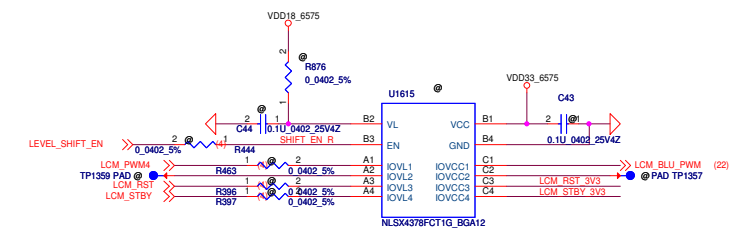
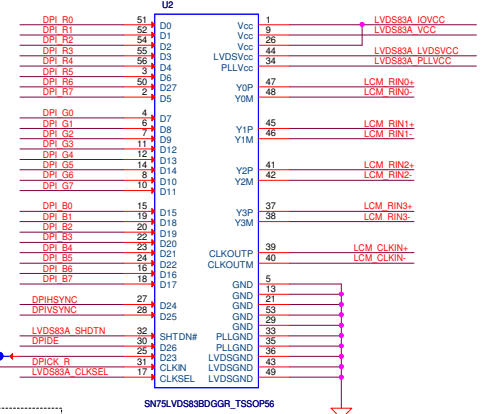
Security Classification		Compal Secret Data		Compal Electronics, Inc.	
Issued Date		Deciphered Date		Title	
2012/11/03		2013/11/03		MT8377 - Power and ABB	
THIS SHEET OF ENGINEERING DRAWING IS THE PROPRIETARY PROPERTY OF COMPAL ELECTRONICS, INC. AND CONTAINS CONFIDENTIAL AND TRADE SECRET INFORMATION. THIS SHEET MAY NOT BE TRANSFERRED FROM THE CUSTODY OF THE COMPETENT DIVISION OF R&D DEPARTMENT EXCEPT AS AUTHORIZED BY COMPAL ELECTRONICS, INC. NEITHER THIS SHEET NOR THE INFORMATION IT CONTAINS MAY BE USED BY OR DISCLOSED TO ANY THIRD PARTY WITHOUT PRIOR WRITTEN CONSENT OF COMPAL ELECTRONICS, INC.					
Size	Document Number	Date		Rev	
C	LA-A031P	Wednesday, November 28, 2012		5 of 23	



Security Classification	2012/11/03		2013/11/03		Compal Electronics, Inc.	
Issued Date	2012/11/03		2013/11/03		Memory (DDR3)	
THIS SHEET OF ENGINEERING DRAWINGS IS THE PROPRIETARY PROPERTY OF COMPAL ELECTRONICS, INC. AND CONTAINS CONFIDENTIAL AND TRADE SECRET INFORMATION. THIS SHEET MAY NOT BE TRANSFERRED FROM THE CUSTODY OF THE COMPETENT DIVISION OF R&D DEPARTMENT EXCEPT AS AUTHORIZED BY COMPAL ELECTRONICS, INC. NEITHER THIS SHEET NOR THE INFORMATION IT CONTAINS MAY BE USED BY OR DISCLOSED TO ANY THIRD PARTY WITHOUT PRIOR WRITTEN CONSENT OF COMPAL ELECTRONICS, INC.						
Size C	Document Number	LA-A031P			Rev	18
Date:	Tuesday, December 18, 2012	Sheet	6	of	23	

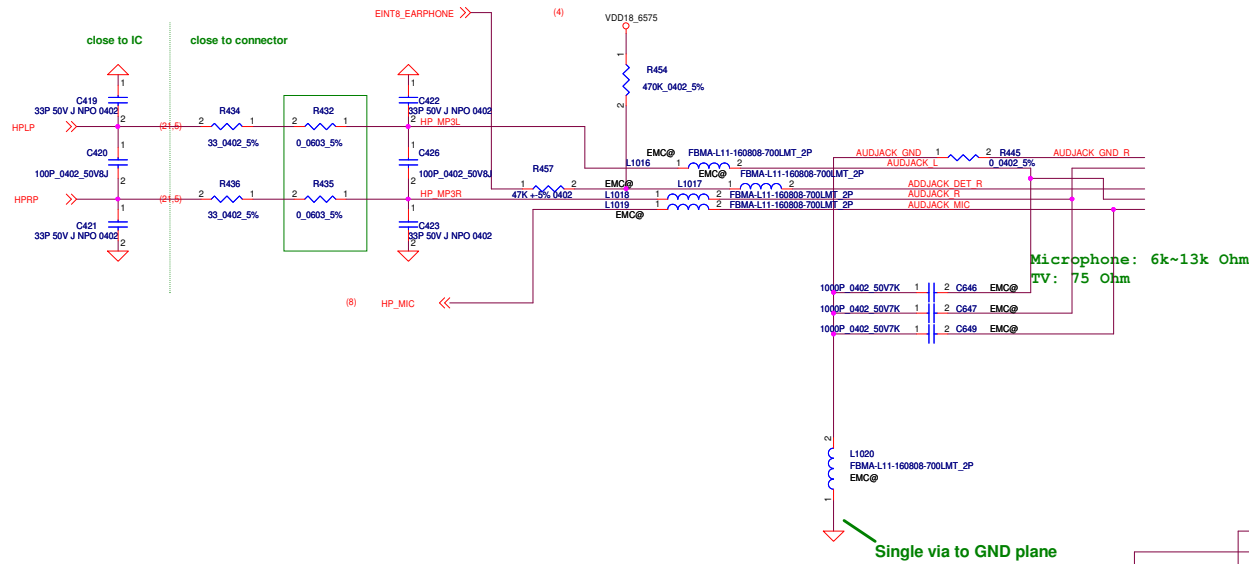


LVDS Bridge

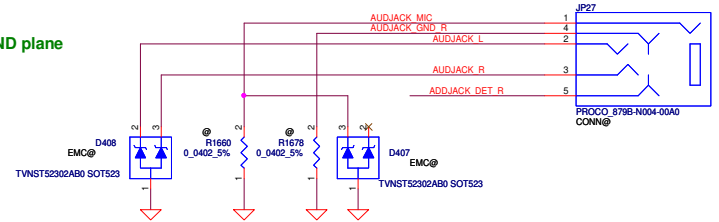


Security Classification	Compal Secret Data		Compal Electronics, Inc.	
Issued Date	2012/11/03	Deciphered Date	2013/11/03	Title LCD
THIS SHEET OF ENGINEERING DRAWING IS THE PROPRIETARY PROPERTY OF COMPAL ELECTRONICS, INC. AND CONTAINS CONFIDENTIAL AND TRADE SECRET INFORMATION. THIS SHEET MAY NOT BE TRANSFERRED FROM THE CUSTODY OF THE COMPETENT DIVISION OF R&D DEPARTMENT EXCEPT AS AUTHORIZED BY COMPAL ELECTRONICS, INC. NEITHER THIS SHEET NOR THE INFORMATION IT CONTAINS MAY BE USED BY OR DISCLOSED TO ANY THIRD PARTY WITHOUT PRIOR WRITTEN CONSENT OF COMPAL ELECTRONICS, INC.				
Size	Document Number	LA-A031P	Rev	18
Date:	Tuesday, December 18, 2012	Sheet	7	of 23

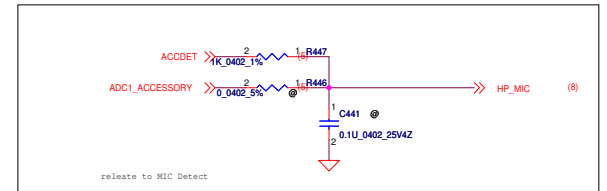
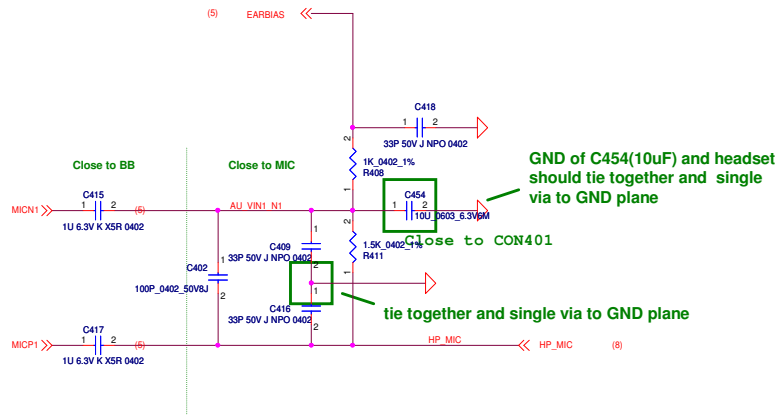
Earphone RECEIVER



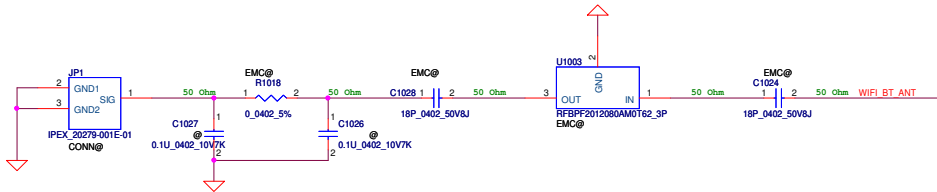
AUDIO Jack



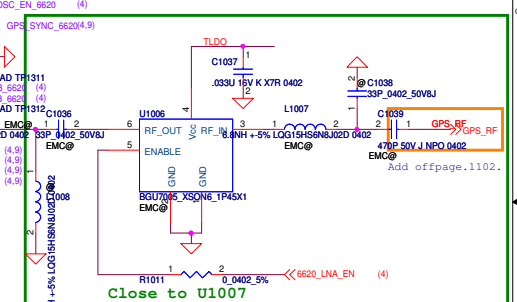
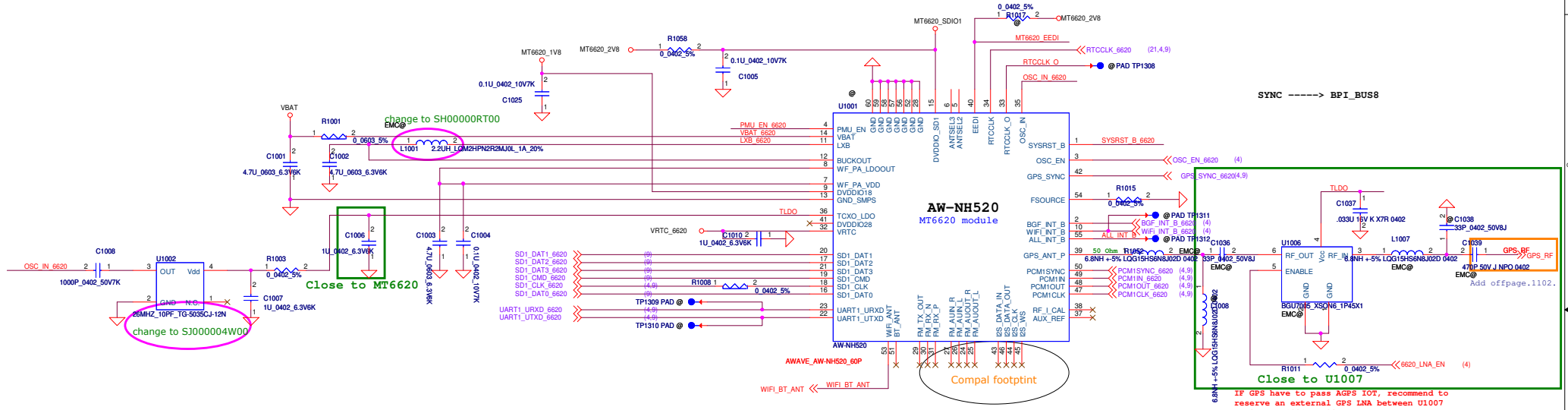
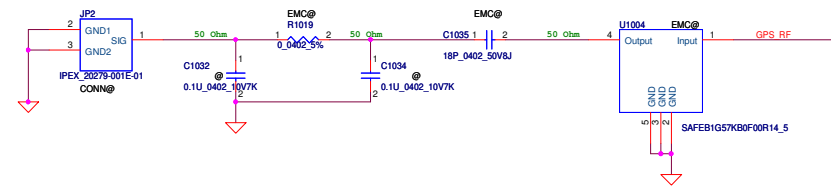
Earphone MICPHONE



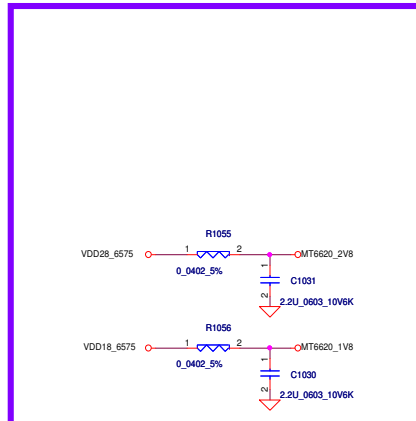
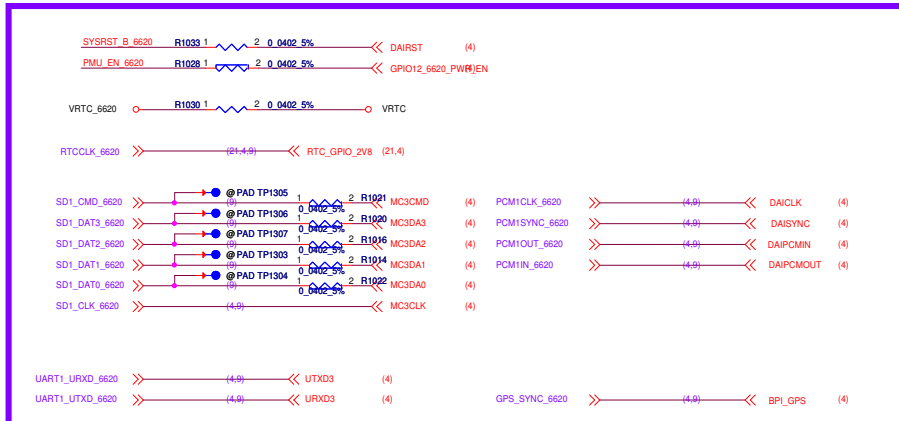
Security Classification	Compal Secret Data		Compal Electronics, Inc.	
Issued Date	2012/11/03	Deciphered Date	2013/11/03	Title Audio, I/O
THIS SHEET OF ENGINEERING DRAWING IS THE PROPRIETARY PROPERTY OF COMPAL ELECTRONICS, INC. AND CONTAINS CONFIDENTIAL AND TRADE SECRET INFORMATION. THIS SHEET MAY NOT BE TRANSFERRED FROM THE CUSTODY OF THE COMPETENT DIVISION OF R&D DEPARTMENT EXCEPT AS AUTHORIZED BY COMPAL ELECTRONICS, INC. NEITHER THIS SHEET NOR THE INFORMATION IT CONTAINS MAY BE USED BY OR DISCLOSED TO ANY THIRD PARTY WITHOUT PRIOR WRITTEN CONSENT OF COMPAL ELECTRONICS, INC.				
Size	Document Number	LA-A031P	Rev	18
Date:	Wednesday, November 28, 2012	Sheet	8	of 23



U1001
PK29S004M00
 AW-NH520(MT6228)



IF GPS have to pass AGPS IOT, recommend to reserve an external GPS LNA between U1007 pin3 and U1001 pin39

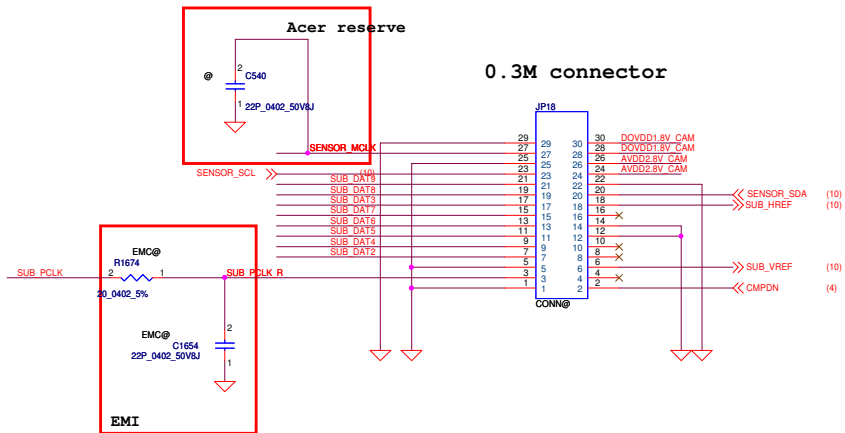
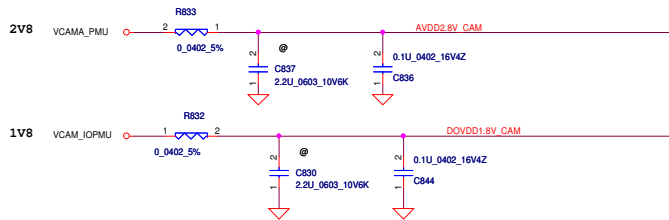
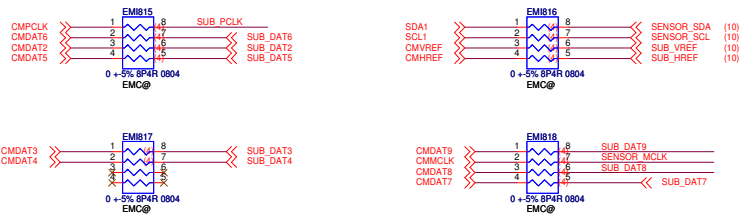


	XTEST	EEDI	ANTSEL_3	
2.8V TCXO or OSC	0	0	0	Default
1.8V TCXO or OSC	0	1	0	
XTAL	0	0	1	
external clock mode	0	1	1	

	XTEST	ANTSEL_2	ANTSEL_1	
WiFi :SDIO1	0	0	0	Default
WiFi :SDIO2	0	0	1	
WiFi :SPI	0	1	0	
WiFi :reserved	0	1	1	

	XTEST	ANTSEL_0	
UART1	0	0	Default
SDIO2	0	1	

Sub Camera



Security Classification	Compal Secret Data		Compal Electronics, Inc.	
Issued Date	2012/11/03	Deciphered Date	2013/11/03	Title Camera
THIS SHEET OF ENGINEERING DRAWING IS THE PROPRIETARY PROPERTY OF COMPAL ELECTRONICS, INC. AND CONTAINS CONFIDENTIAL AND TRADE SECRET INFORMATION. THIS SHEET MAY NOT BE TRANSFERRED FROM THE CUSTODY OF THE COMPETENT DIVISION OF R&D DEPARTMENT EXCEPT AS AUTHORIZED BY COMPAL ELECTRONICS, INC. NEITHER THIS SHEET NOR THE INFORMATION IT CONTAINS MAY BE USED BY OR DISCLOSED TO ANY THIRD PARTY WITHOUT PRIOR WRITTEN CONSENT OF COMPAL ELECTRONICS, INC.				
Size C	Document Number LA-A031P	Rev 18	Date: Wednesday, November 28, 2012 Sheet 10 of 23	

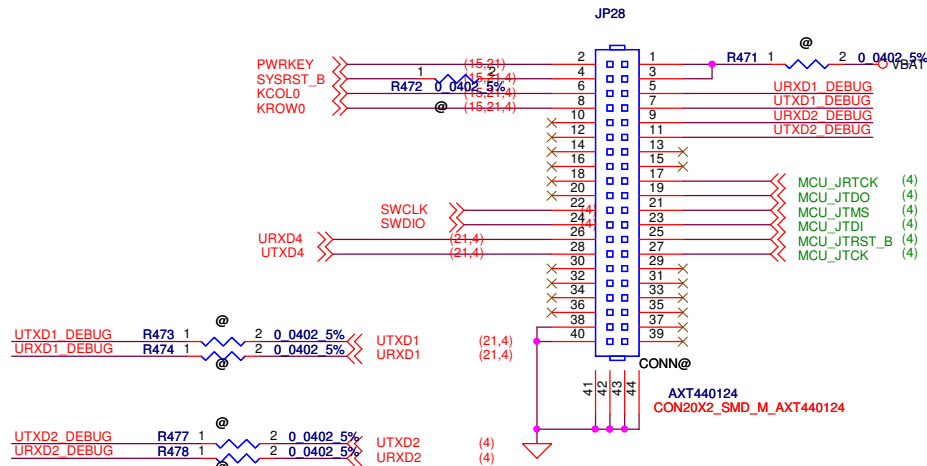
SD CARD MSDC1

USB OTG Power

Common Debug

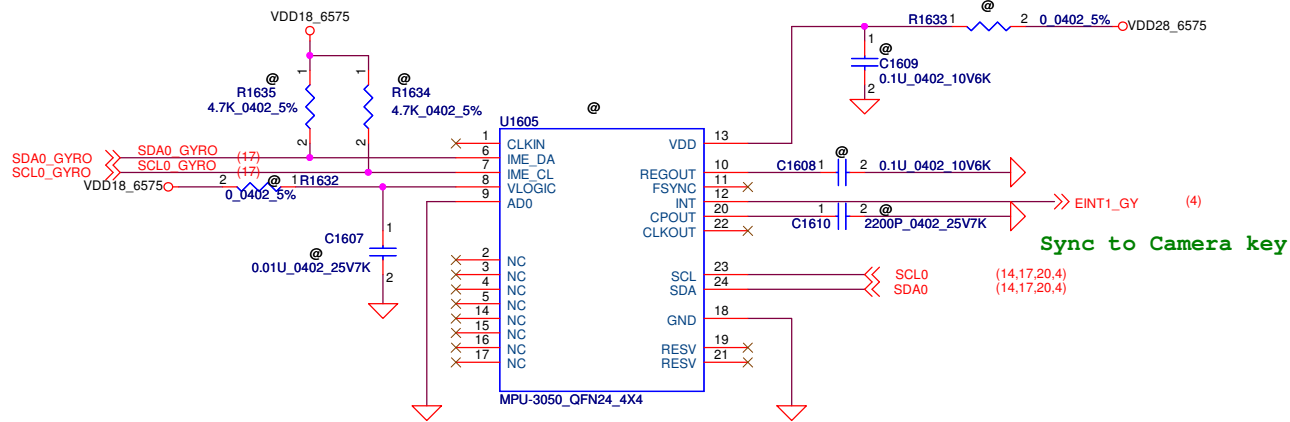
USB HS IF

If mini-A connector insert => CID < 0V => Low
 If mini-B connector insert => CID > 1.2V => High
 IDPULLUP pin is replaced by 1.2V power source.



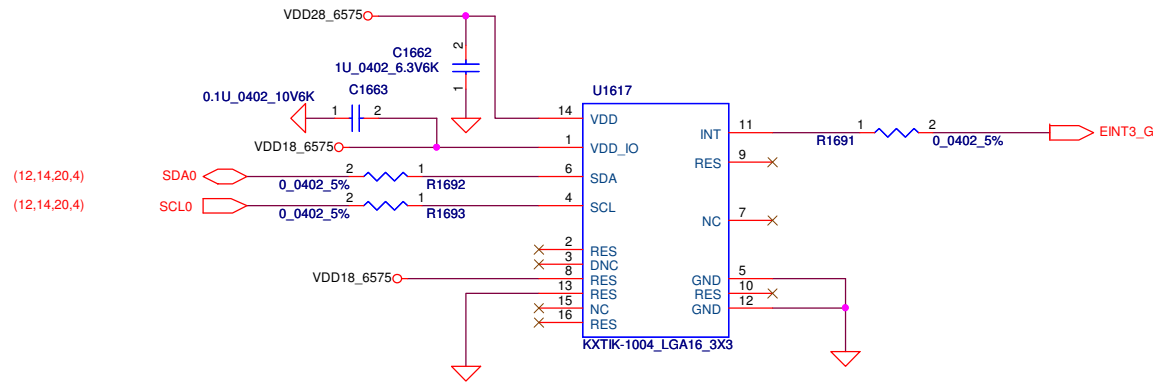
Security Classification	Compal Secret Data		Compal Electronics, Inc.	
Issued Date	2012/11/03	Deciphered Date	2013/11/03	Title SD Card,Debug,USB
THIS SHEET OF ENGINEERING DRAWING IS THE PROPRIETARY PROPERTY OF COMPAL ELECTRONICS, INC. AND CONTAINS CONFIDENTIAL AND TRADE SECRET INFORMATION. THIS SHEET MAY NOT BE TRANSFERRED FROM THE CUSTODY OF THE COMPETENT DIVISION OF R&D DEPARTMENT EXCEPT AS AUTHORIZED BY COMPAL ELECTRONICS, INC. NEITHER THIS SHEET NOR THE INFORMATION IT CONTAINS MAY BE USED BY OR DISCLOSED TO ANY THIRD PARTY WITHOUT PRIOR WRITTEN CONSENT OF COMPAL ELECTRONICS, INC.				Document Number LA-A031P Date: Wednesday, November 28, 2012 Sheet 11 of 23
Rev	1B			

Gyro Sensor



I2C Address: 0x68 (Write:0xD0, Read:0xD1)

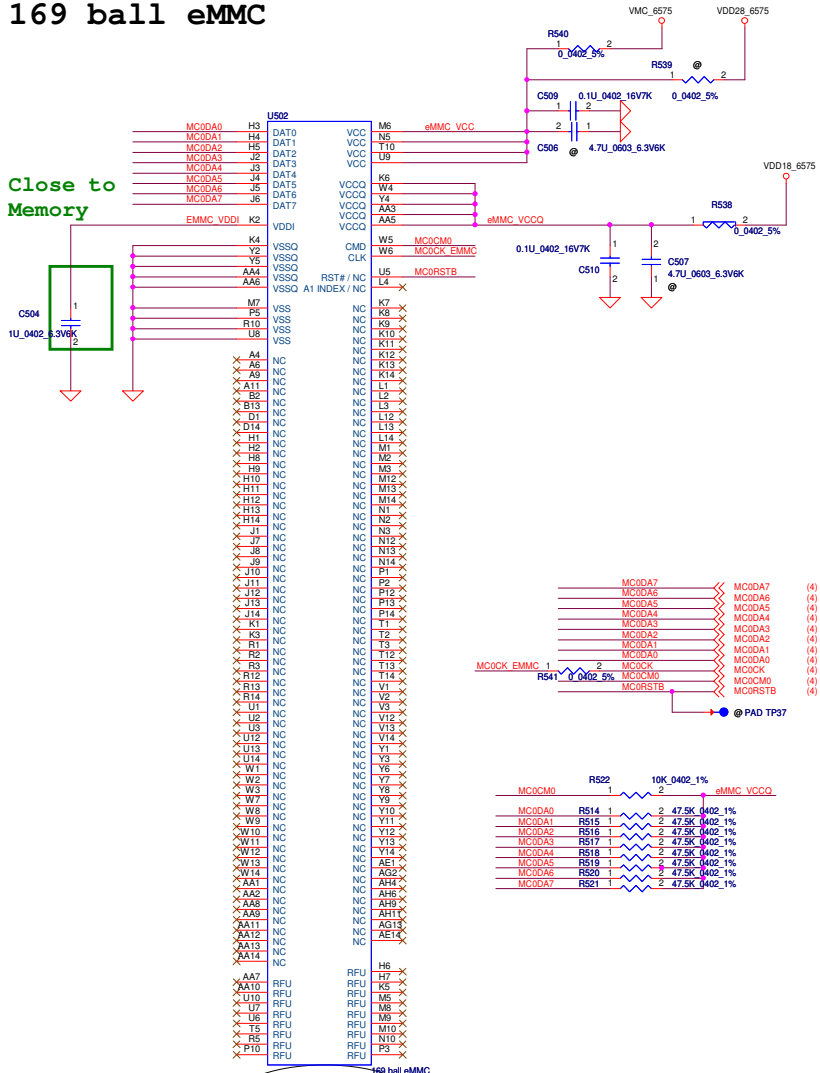
G Sensor



Security Classification	Compal Secret Data		Compal Electronics, Inc.	
Issued Date	2012/11/03	Deciphered Date	2013/11/03	Title GYRO
THIS SHEET OF ENGINEERING DRAWING IS THE PROPRIETARY PROPERTY OF COMPAL ELECTRONICS, INC. AND CONTAINS CONFIDENTIAL AND TRADE SECRET INFORMATION. THIS SHEET MAY NOT BE TRANSFERRED FROM THE CUSTODY OF THE COMPETENT DIVISION OF R&D DEPARTMENT EXCEPT AS AUTHORIZED BY COMPAL ELECTRONICS, INC. NEITHER THIS SHEET NOR THE INFORMATION IT CONTAINS MAY BE USED BY OR DISCLOSED TO ANY THIRD PARTY WITHOUT PRIOR WRITTEN CONSENT OF COMPAL ELECTRONICS, INC.				Document Number LA-A031P
				Date Monday, January 07, 2013

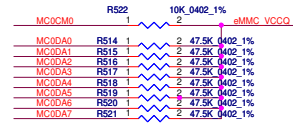
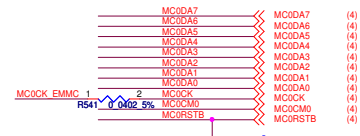
169 ball eMMC

Close to Memory



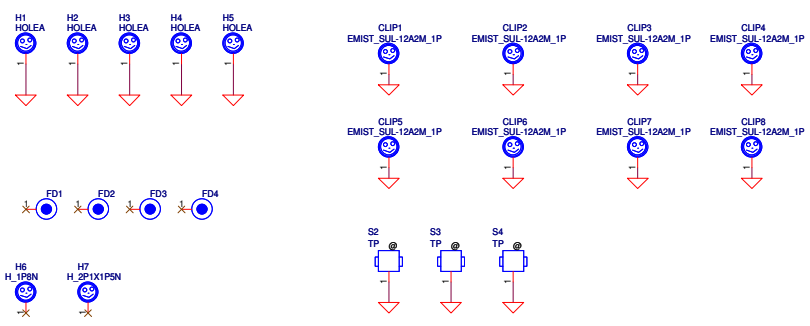
U502
SS8GB@
SA00005KM10
KLM8G2FE9B-B001

U502
SD8GB@
SA00005MV10
SDIN5D1-8G-L

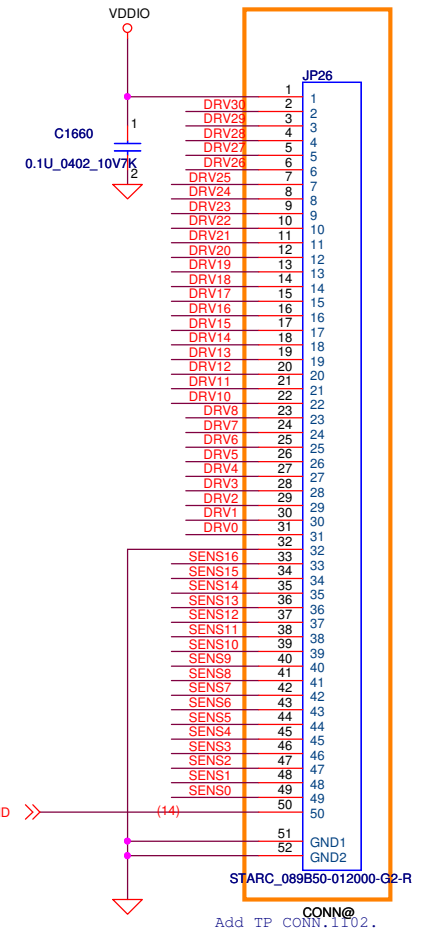
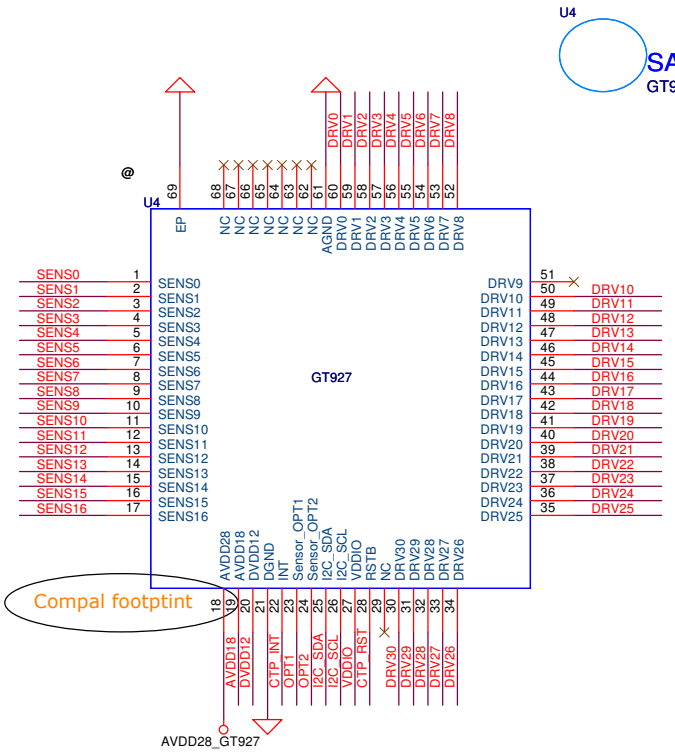
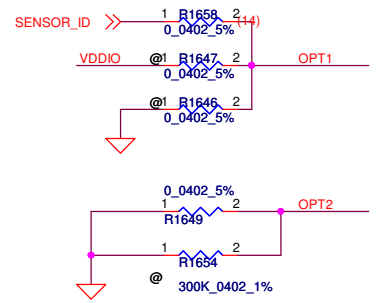
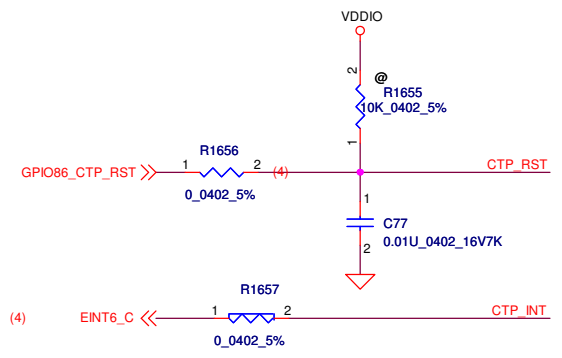
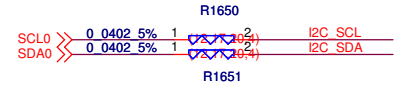
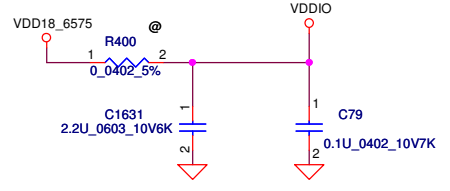
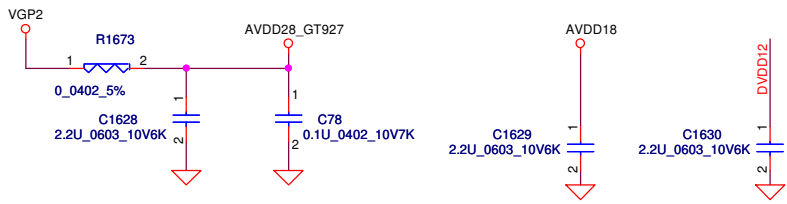


SDIN4E2-169-T_TFBGA_169P
@ompal footptint

SCREW HOLE

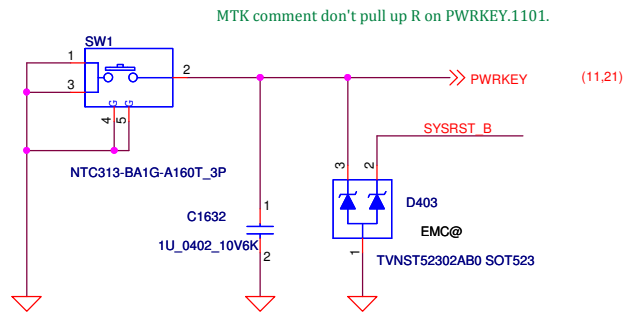


Security Classification	Compal Secret Data		Compal Electronics, Inc.	
Issued Date	2012/11/03	Deciphered Date	2013/11/03	Title eMMC, SCREW HOLE
THIS SHEET OF ENGINEERING DRAWING IS THE PROPRIETARY PROPERTY OF COMPAL ELECTRONICS, INC. AND CONTAINS CONFIDENTIAL AND TRADE SECRET INFORMATION. THIS SHEET MAY NOT BE TRANSFERRED FROM THE CUSTODY OF THE COMPETENT DIVISION OF R&D DEPARTMENT EXCEPT AS AUTHORIZED BY COMPAL ELECTRONICS, INC. NEITHER THIS SHEET NOR THE INFORMATION IT CONTAINS MAY BE USED BY OR DISCLOSED TO ANY THIRD PARTY WITHOUT PRIOR WRITTEN CONSENT OF COMPAL ELECTRONICS, INC.				
Size C	Document Number LA-A031P	Rev 18	Date Wednesday, November 28, 2012	Sheet 13 of 23



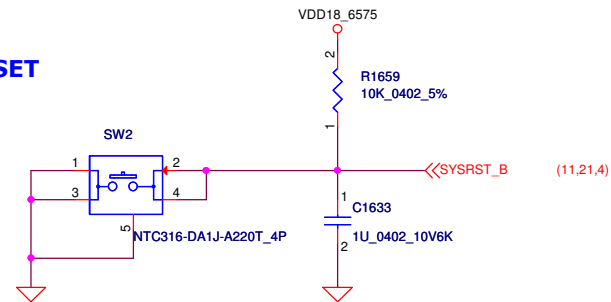
Security Classification	Compal Secret Data			Compal Electronics, Inc.	
Issued Date	2012/11/03	Deciphered Date	2013/11/03	Title	Touch Panel
THIS SHEET OF ENGINEERING DRAWING IS THE PROPRIETARY PROPERTY OF COMPAL ELECTRONICS, INC. AND CONTAINS CONFIDENTIAL AND TRADE SECRET INFORMATION. THIS SHEET MAY NOT BE TRANSFERRED FROM THE CUSTODY OF THE COMPETENT DIVISION OF R&D DEPARTMENT EXCEPT AS AUTHORIZED BY COMPAL ELECTRONICS, INC. NEITHER THIS SHEET NOR THE INFORMATION IT CONTAINS MAY BE USED BY OR DISCLOSED TO ANY THIRD PARTY WITHOUT PRIOR WRITTEN CONSENT OF COMPAL ELECTRONICS, INC.					
Size	Document Number	Rev			1B
B	LA-A031P				
Date:	Wednesday, November 28, 2012	Sheet	14	of	23

Power-on Button

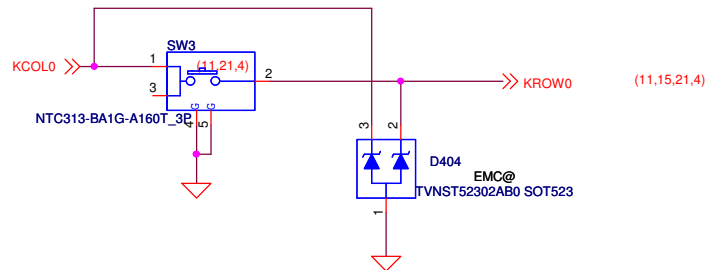


Compal GND MTK GND

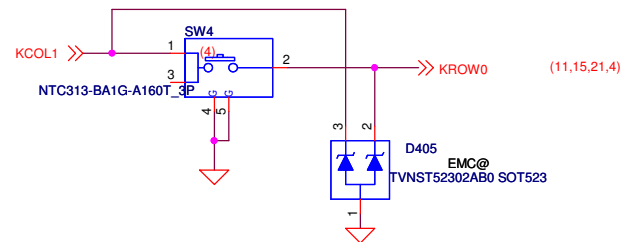
RESET



Volume Up (Download Key)

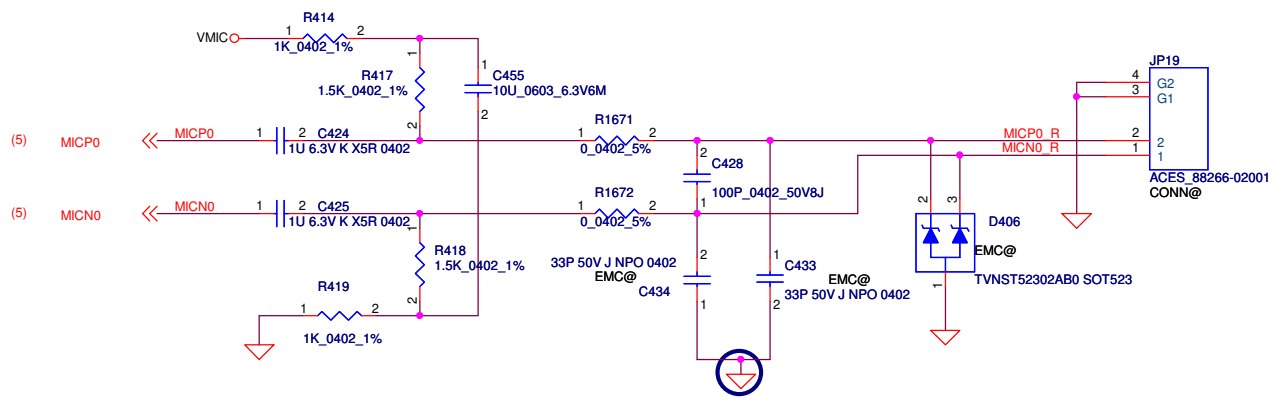


Volume Down

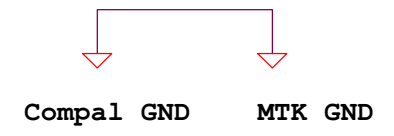


Security Classification	Compal Secret Data		Compal Electronics, Inc.	
Issued Date	2012/11/03	Deciphered Date	2013/11/03	Title Button
THIS SHEET OF ENGINEERING DRAWING IS THE PROPRIETARY PROPERTY OF COMPAL ELECTRONICS, INC. AND CONTAINS CONFIDENTIAL AND TRADE SECRET INFORMATION. THIS SHEET MAY NOT BE TRANSFERRED FROM THE CUSTODY OF THE COMPETENT DIVISION OF R&D DEPARTMENT EXCEPT AS AUTHORIZED BY COMPAL ELECTRONICS, INC. NEITHER THIS SHEET NOR THE INFORMATION IT CONTAINS MAY BE USED BY OR DISCLOSED TO ANY THIRD PARTY WITHOUT PRIOR WRITTEN CONSENT OF COMPAL ELECTRONICS, INC.				Document Number LA-A031P
				Date Wednesday, November 28, 2012

MIC

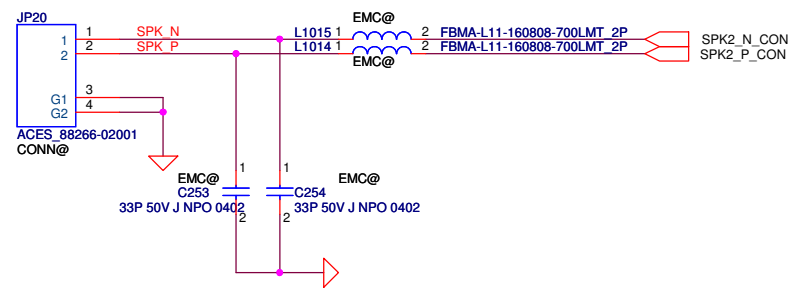


Modify MIC CONN SCH.1102.



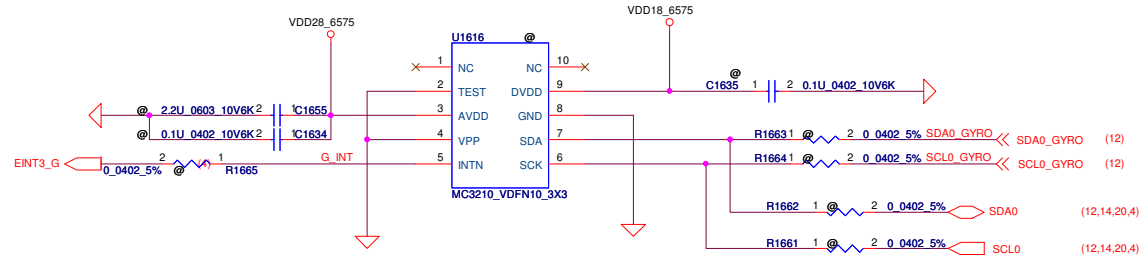
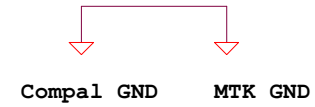
SPAKER

Confirm L17/L18 add or not?.1101.

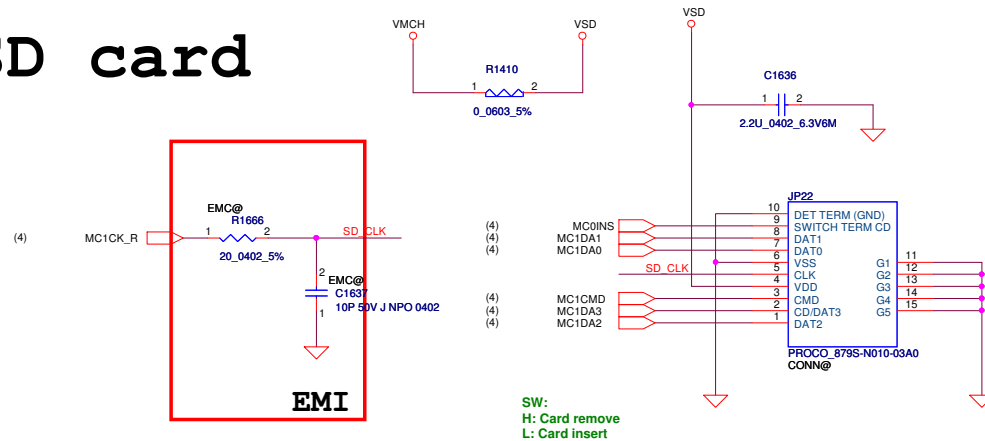


Security Classification	Compal Secret Data		Compal Electronics, Inc.	
Issued Date	2012/11/03	Deciphered Date	2013/11/03	Title Connector(MIC/SPK)
<small>THIS SHEET OF ENGINEERING DRAWING IS THE PROPRIETARY PROPERTY OF COMPAL ELECTRONICS, INC. AND CONTAINS CONFIDENTIAL AND TRADE SECRET INFORMATION. THIS SHEET MAY NOT BE TRANSFERRED FROM THE CUSTODY OF THE COMPETENT DIVISION OF R&D DEPARTMENT EXCEPT AS AUTHORIZED BY COMPAL ELECTRONICS, INC. NEITHER THIS SHEET NOR THE INFORMATION IT CONTAINS MAY BE USED BY OR DISCLOSED TO ANY THIRD PARTY WITHOUT PRIOR WRITTEN CONSENT OF COMPAL ELECTRONICS, INC.</small>				Document Number LA-A031P Date: Wednesday, November 28, 2012 Sheet 16 of 23
				Rev 1B

G-sensor



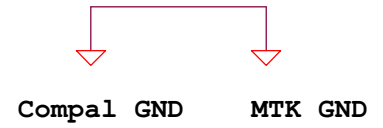
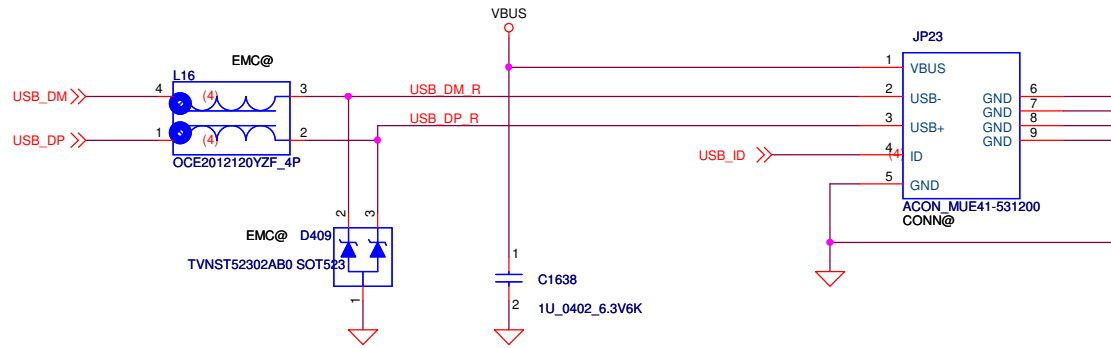
SD card



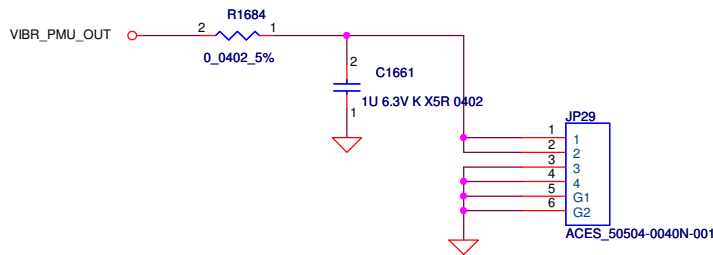
Security Classification	Compal Secret Data		Compal Electronics, Inc.	
Issued Date	2012/11/03	Deciphered Date	2013/11/03	Title Connector-2(SD card/G-se)
THIS SHEET OF ENGINEERING DRAWING IS THE PROPRIETARY PROPERTY OF COMPAL ELECTRONICS, INC. AND CONTAINS CONFIDENTIAL AND TRADE SECRET INFORMATION. THIS SHEET MAY NOT BE TRANSFERRED FROM THE CUSTODY OF THE COMPETENT DIVISION OF PRODUCT DEVELOPMENT DEPARTMENT EXCEPT AS AUTHORIZED BY COMPAL ELECTRONICS, INC. NEITHER THIS SHEET NOR THE INFORMATION IT CONTAINS MAY BE USED BY OR DISCLOSED TO ANY THIRD PARTY WITHOUT PRIOR WRITTEN CONSENT OF COMPAL ELECTRONICS, INC.				Date: Friday, December 28, 2012 Document Number: LA-A031P Rev: 1B Sheet: 17 of 23

Micro-USB

If mini-A connector insert => CID < 0V => Low
 If mini-B connector insert => CID > 1.2V => High
 IDPULLUP pin is replaced by 1.2V power source.

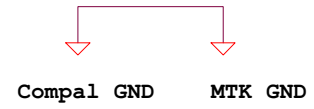


Vibrator



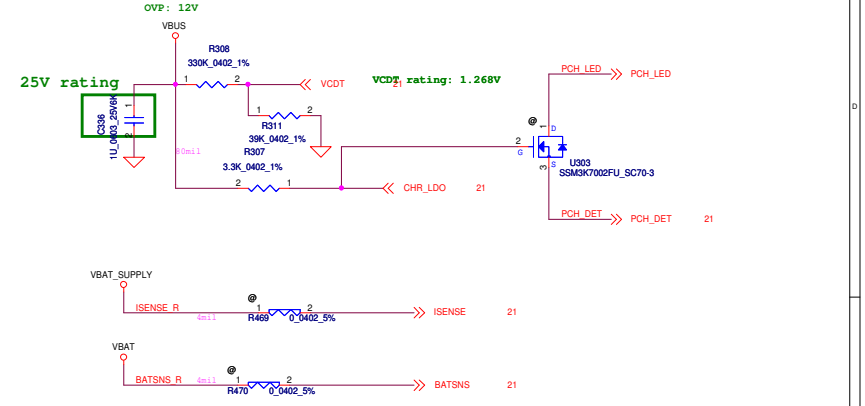
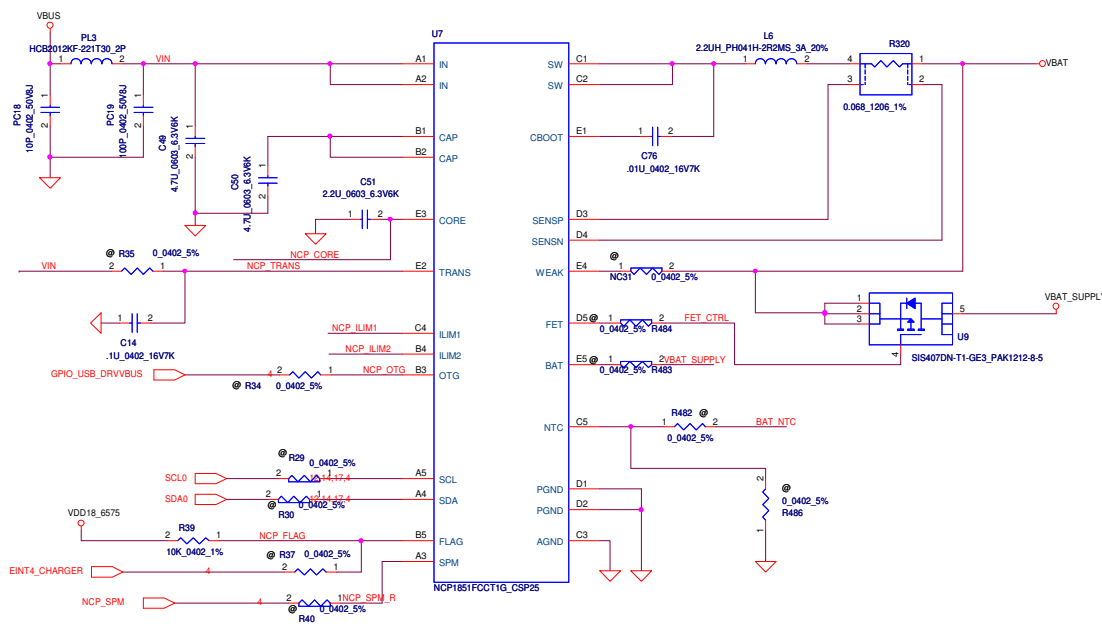
Security Classification	Compal Secret Data		Compal Electronics, Inc.	
Issued Date	2012/11/03	Deciphered Date	2013/11/03	Title Connector-3(USB/Vibrator)
THIS SHEET OF ENGINEERING DRAWING IS THE PROPRIETARY PROPERTY OF COMPAL ELECTRONICS, INC. AND CONTAINS CONFIDENTIAL AND TRADE SECRET INFORMATION. THIS SHEET MAY NOT BE TRANSFERRED FROM THE CUSTODY OF THE COMPETENT DIVISION OF R&D DEPARTMENT EXCEPT AS AUTHORIZED BY COMPAL ELECTRONICS, INC. NEITHER THIS SHEET NOR THE INFORMATION IT CONTAINS MAY BE USED BY OR DISCLOSED TO ANY THIRD PARTY WITHOUT PRIOR WRITTEN CONSENT OF COMPAL ELECTRONICS, INC.				Document Number LA-A031P Date: Wednesday, November 28, 2012 Sheet 18 of 23
				Rev 1B

RF Antenna change to use MTK

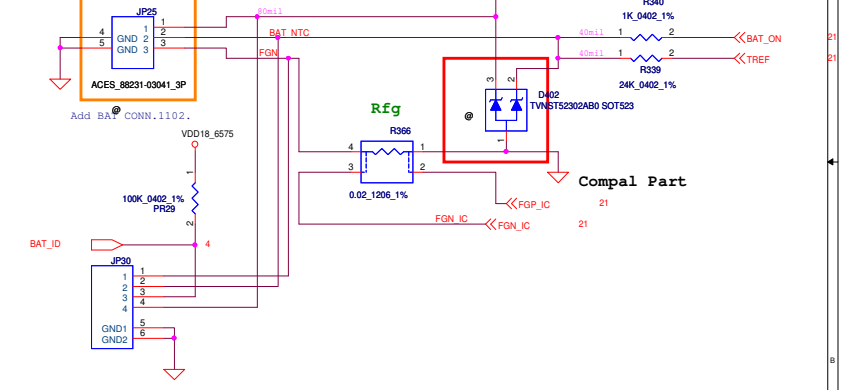


Security Classification		Compal Secret Data		Compal Electronics, Inc.	
Issued Date	2012/11/03	Deciphered Date	2013/11/03	Title	RF Antenna
<small>THIS SHEET OF ENGINEERING DRAWING IS THE PROPRIETARY PROPERTY OF COMPAL ELECTRONICS, INC. AND CONTAINS CONFIDENTIAL AND TRADE SECRET INFORMATION. THIS SHEET MAY NOT BE TRANSFERRED FROM THE CUSTODY OF THE COMPETENT DIVISION OF PRODUCT DEVELOPMENT DEPARTMENT EXCEPT AS AUTHORIZED BY COMPAL ELECTRONICS, INC. NEITHER THIS SHEET NOR THE INFORMATION IT CONTAINS MAY BE USED BY OR DISCLOSED TO ANY THIRD PARTY WITHOUT PRIOR WRITTEN CONSENT OF COMPAL ELECTRONICS, INC.</small>				<small>File Name</small> <small>Document Number</small> Custom LA-A031P	<small>Rev</small> 1B
<small>Date: Wednesday, January 02, 2013</small>				<small>Sheet</small> 19 <small>of</small> 29	

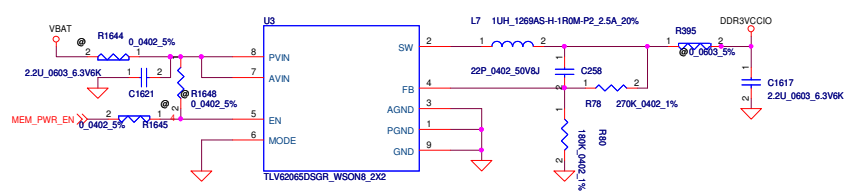
Charger



BATTERY CONNECTOR

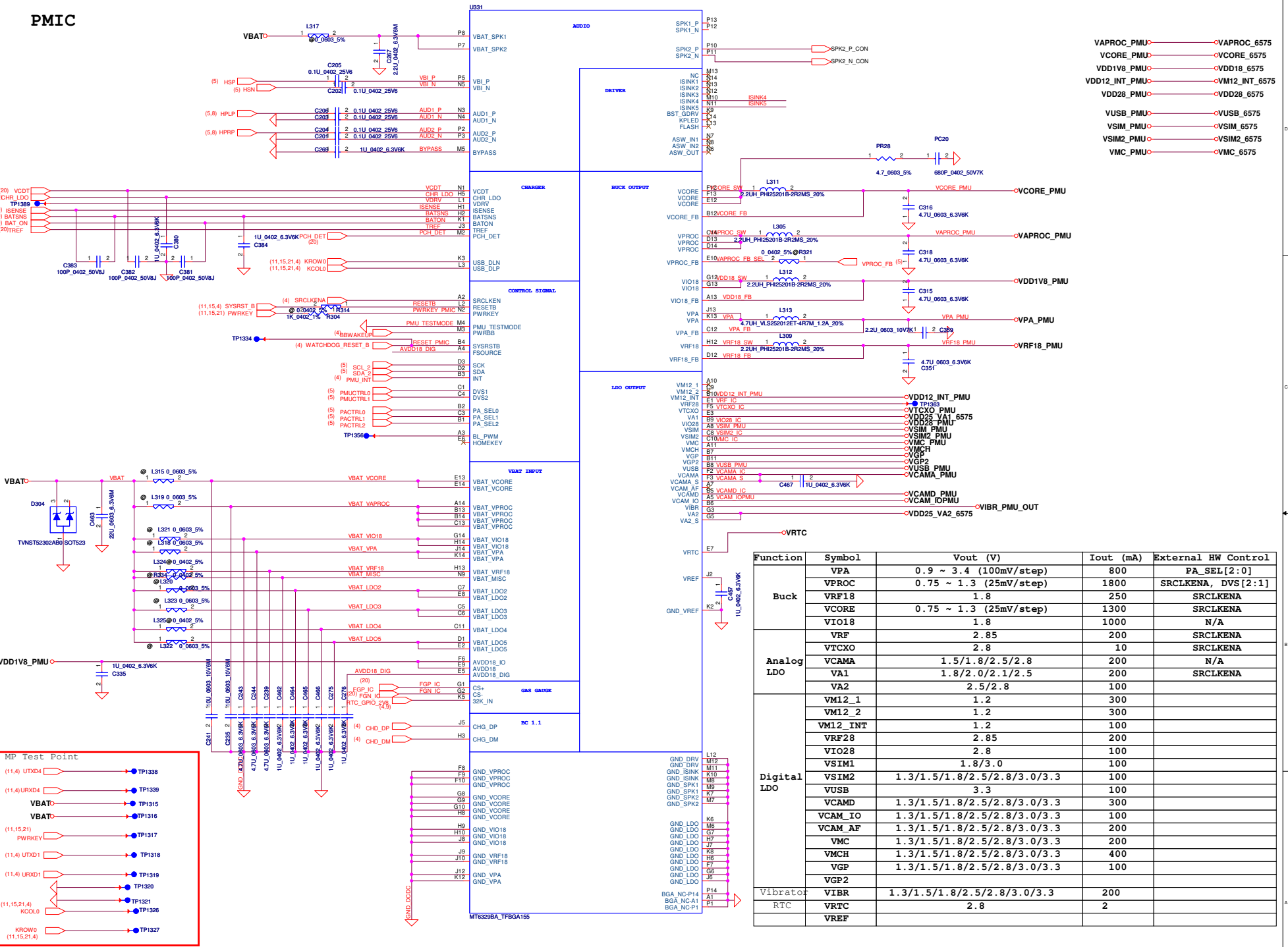


DDR3



ILIM1	ILIM2	INPUT CURRENT LIMIT
0	0	100 mA
0	1	Automatic Charge Current
1	0	500 mA
1	1	900 mA

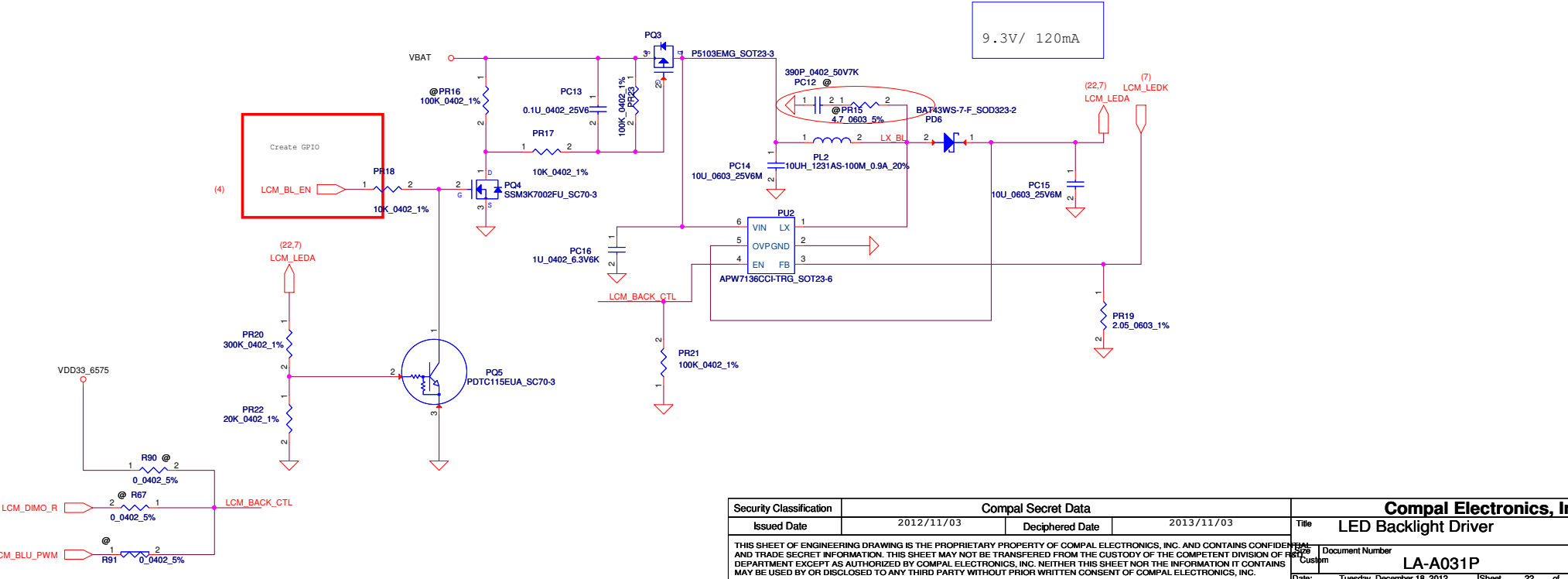
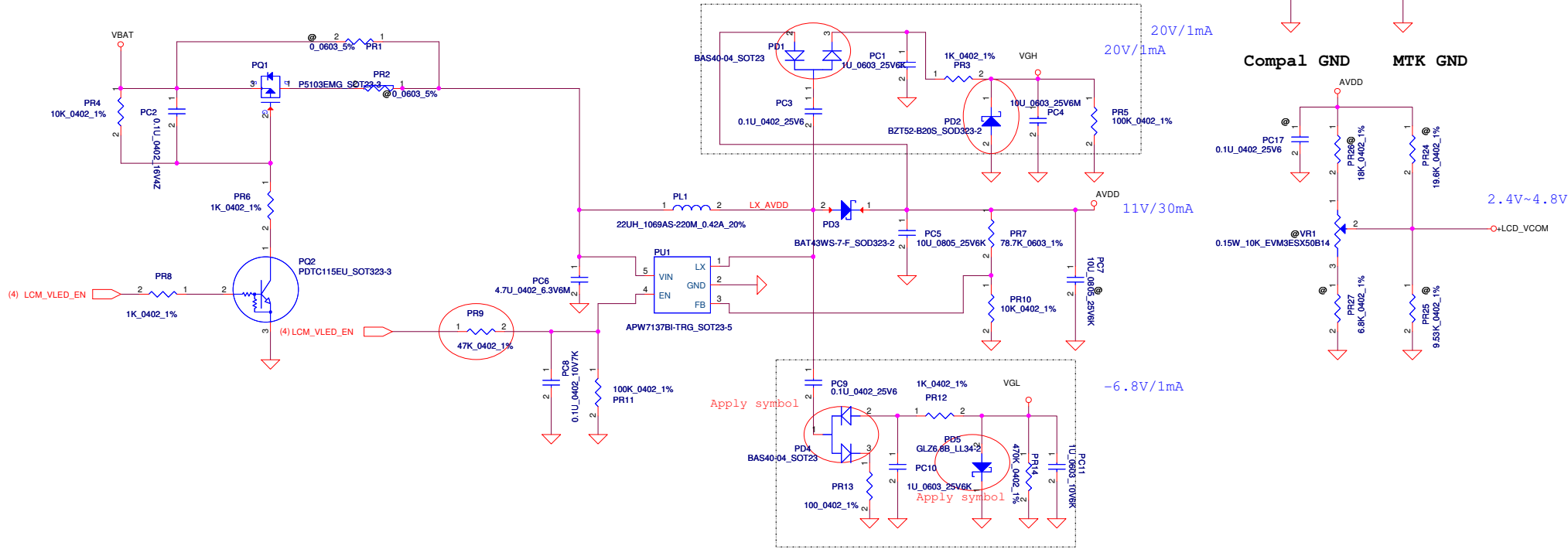
PMIC



- VAPROC_PMU \rightarrow VAPROC_6575
- VCORE_PMU \rightarrow VCORE_6575
- VDD1V8_PMU \rightarrow VDD18_6575
- VDD12_INT_PMU \rightarrow VM12_INT_6575
- VDD28_PMU \rightarrow VDD28_6575
- USB_PMU \rightarrow USB_6575
- VSIM_PMU \rightarrow VSIM_6575
- VSIM2_PMU \rightarrow VSIM2_6575
- VMC_PMU \rightarrow VMC_6575

Function	Symbol	Vout (V)	Iout (mA)	External HW Control
Buck	VPA	0.9 ~ 3.4 (100mV/step)	800	PA_SEL[2:0]
	VPROC	0.75 ~ 1.3 (25mV/step)	1800	SRCLKENA, DVS[2:1]
	VRF18	1.8	250	SRCLKENA
	VCORE	0.75 ~ 1.3 (25mV/step)	1300	SRCLKENA
	VIO18	1.8	1000	N/A
Analog LDO	VRF	2.85	200	SRCLKENA
	VTCXO	2.8	10	SRCLKENA
	VCAMA	1.5/1.8/2.5/2.8	200	N/A
	VA1	1.8/2.0/2.1/2.5	200	SRCLKENA
	VA2	2.5/2.8	100	
Digital LDO	VM12_1	1.2	300	
	VM12_2	1.2	300	
	VM12_INT	1.2	100	
	VRF28	2.85	200	
	VIO28	2.8	100	
	VSIM1	1.8/3.0	100	
	VSIM2	1.3/1.5/1.8/2.5/2.8/3.0/3.3	100	
	USB	3.3	100	
	VCAMD	1.3/1.5/1.8/2.5/2.8/3.0/3.3	300	
	VCAM_IO	1.3/1.5/1.8/2.5/2.8/3.0/3.3	100	
Vibrator	VIBR	1.3/1.5/1.8/2.5/2.8/3.0/3.3	200	
	VRTC	2.8	2	
	VREF			

- MP Test Point
- (11.4) UTXD4 \rightarrow TP1338
 - (11.4) URXD4 \rightarrow TP1339
 - VBAT0 \rightarrow TP1315
 - VBAT0 \rightarrow TP1316
 - (11.15.21) PWRKEY \rightarrow TP1317
 - (11.4) UTXD1 \rightarrow TP1318
 - (11.4) URXD1 \rightarrow TP1319
 - (11.15.21.4) \rightarrow TP1320
 - (11.15.21.4) \rightarrow TP1321
 - (11.15.21.4) \rightarrow TP1326
 - KROW0 (11.15.21.4) \rightarrow TP1327



Security Classification	Compal Secret Data		Compal Electronics, Inc.	
Issued Date	2012/11/03	Deciphered Date	2013/11/03	Title LED Backlight Driver
THIS SHEET OF ENGINEERING DRAWING IS THE PROPRIETARY PROPERTY OF COMPAL ELECTRONICS, INC. AND CONTAINS CONFIDENTIAL AND TRADE SECRET INFORMATION. THIS SHEET MAY NOT BE TRANSFERRED FROM THE CUSTODY OF THE COMPETENT DIVISION OF FACTORY CUSTOMER DEPARTMENT EXCEPT AS AUTHORIZED BY COMPAL ELECTRONICS, INC. NEITHER THIS SHEET NOR THE INFORMATION IT CONTAINS MAY BE USED BY OR DISCLOSED TO ANY THIRD PARTY WITHOUT PRIOR WRITTEN CONSENT OF COMPAL ELECTRONICS, INC.				
Doc Number	LA-A031P	Rev	1B	Date: Tuesday, December 18, 2012 Sheet 22 of 23

www.s-manuals.com