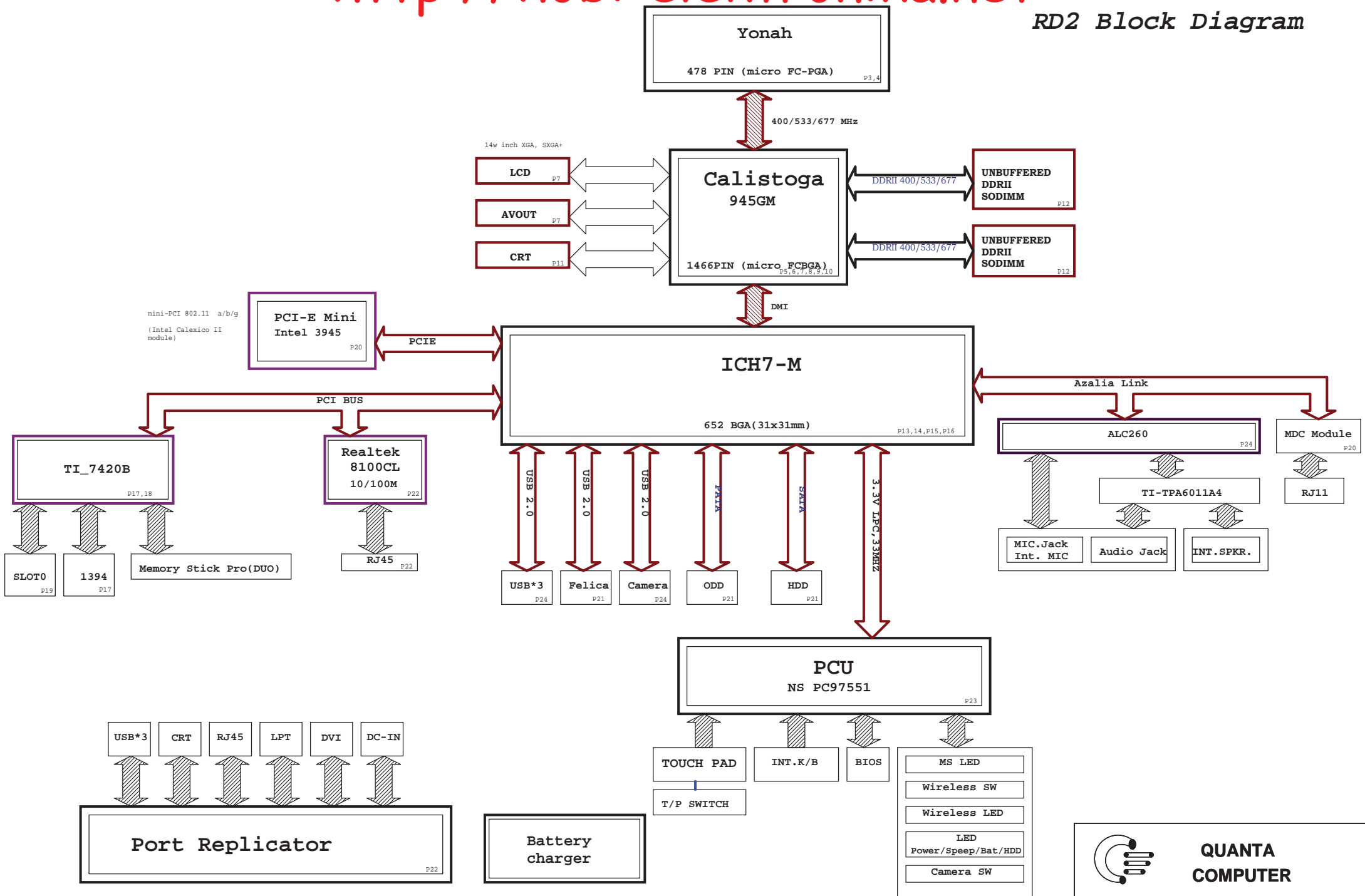
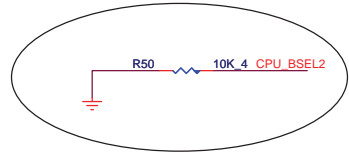
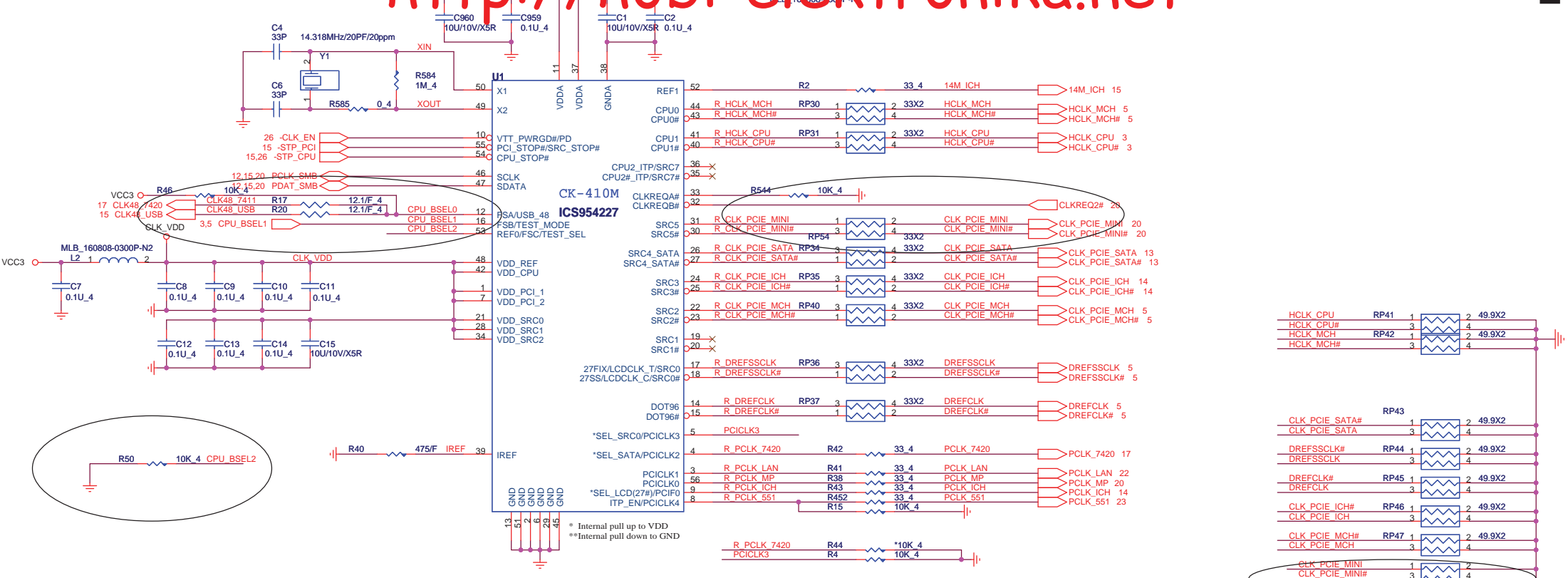


RD2 Block Diagram





R4:(Pin 17,18)
 1: SRCCLK0 pair
 * 0: 17,18 pin is set by pin9

R6:(Pin 17,18)
 * 1: LCDCLK pair
 0: 27MHZSS/27MHZSS# pair

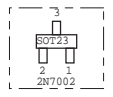
FSA	BSEL1	BSELO	CPU	SRC	PCI	REF	USB	DOT
0			266.66	100	33.33	14.318	48	96
1			133.33	100	33.33	14.318	48	96
0			200.00	100	33.33	14.318	48	96
1			166.66	100	33.33	14.318	48	96
0			333.33	100	33.33	14.318	48	96
1			100.00	100	33.33	14.318	48	96
0			400.00	100	33.33	14.318	48	96
1			RESERVE			14.318	48	96

ICS 954227 : Include SST

ICS 954227 Function:
 Pin 53 : REF1
 Pin 17,18: 96MHz_SST

ITP_EN Function(Pin 8)
 * 0 : SRC_7 Pair (Pin 35,36)
 1 : CPU_2_ITP Pair (Pin 35,36)

IREF (Pin 39) :
 475_1% : Sets the IREF current to 2.32mA



96MHz SST Table :

S3	S2	S1	S0	Spread	Type
0	0	0	0	0.8	Down
0	0	0	1	1	
0	0	1	0	1.25	
0	0	1	1	1.5	
0	1	0	0	1.75	
0	1	0	1	2	
0	1	1	0	2.5	Center
0	1	1	1	3	
1	0	0	0	+/-0.3	
1	0	0	1	+/-0.4	
1	0	1	0	+/-0.5	
1	0	1	1	+/-0.6	
1	1	0	0	+/-0.8	
1	1	0	1	+/-1.0	
1	1	1	0	+/-1.25	
1	1	1	1	+/-1.5	

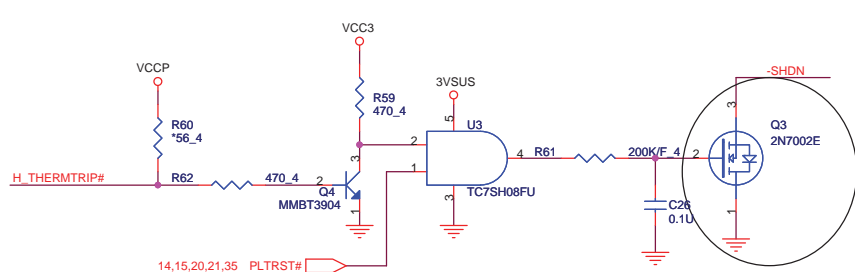
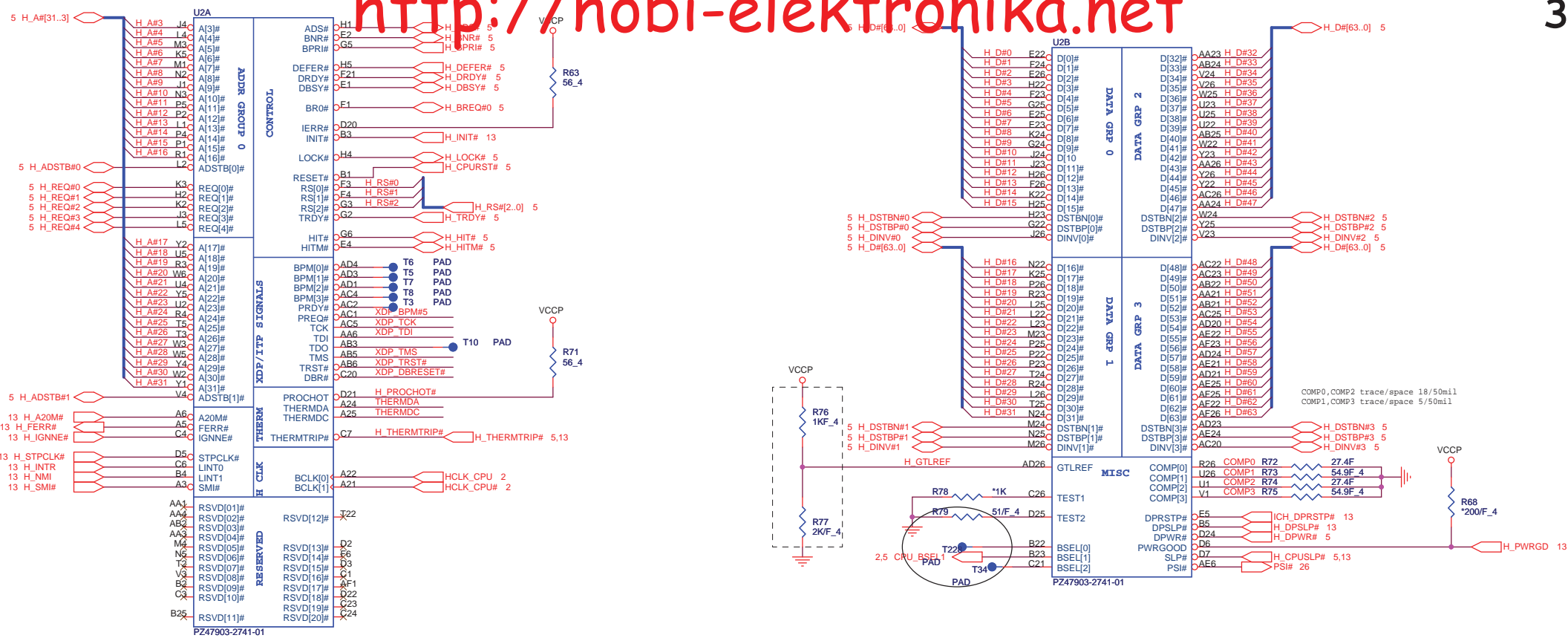
QUANTA COMPUTER

Title: **CLOCK GENERATOR**

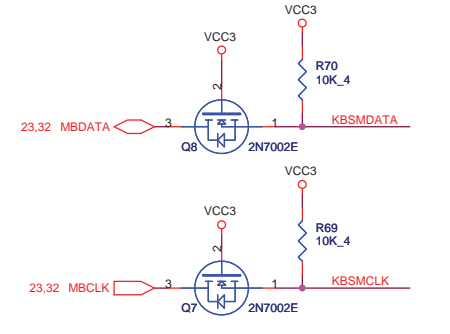
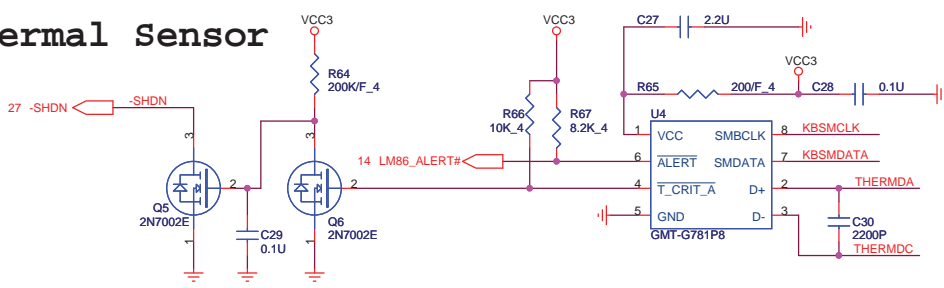
Size: Custom Document Number: **RD2 Main Board** Rev: 1A

Date: Friday, May 05, 2006 Sheet: 2 of 35

1. This part should not contain any substances which are specified in SS-00259-1
 2. Purchase ink, paint, wire rods and molding resins only from the business partners that Sony approves as Green Partners.



Thermal Sensor



QUANTA COMPUTER

title **CPU1 of 2**

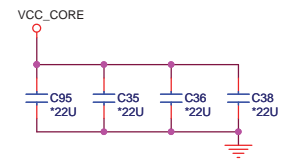
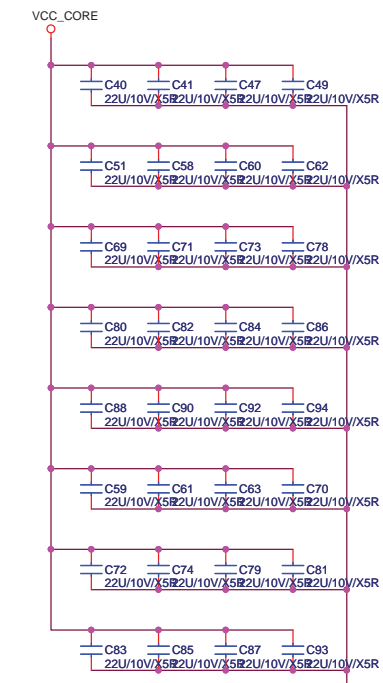
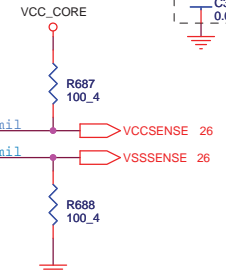
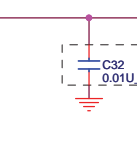
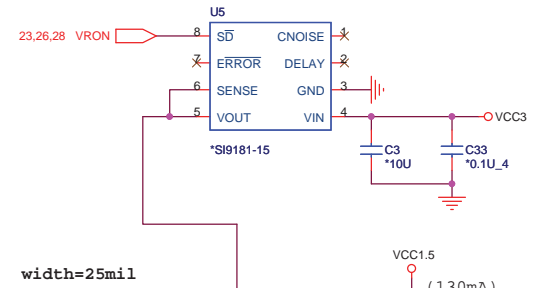
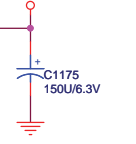
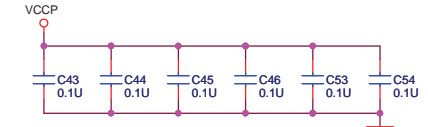
Size Document Number **RD2 Main Board** Rev 1A

Date: Monday, April 10, 2006 Sheet 3 of 35

1. This part should not contain any substances which are specified in SS-00259-1
 2. Purchase ink, paint, wire rods and molding resins only from the business partners that Sony approves as Green Partners.

U2D	VSS	VSS	P6
A4	VSS[001]	VSS[082]	P6
A8	VSS[002]	VSS[083]	P21
A11	VSS[003]	VSS[084]	P24
A14	VSS[004]	VSS[085]	R2
A16	VSS[005]	VSS[086]	R5
A19	VSS[006]	VSS[087]	R25
A23	VSS[007]	VSS[088]	T1
A26	VSS[008]	VSS[089]	T4
B6	VSS[009]	VSS[090]	T23
B8	VSS[010]	VSS[091]	T26
B11	VSS[011]	VSS[092]	U3
B13	VSS[012]	VSS[093]	U6
B16	VSS[013]	VSS[094]	U21
B19	VSS[014]	VSS[095]	U24
B21	VSS[015]	VSS[096]	V2
B24	VSS[016]	VSS[097]	V5
C5	VSS[017]	VSS[098]	V22
C8	VSS[018]	VSS[099]	V25
C11	VSS[019]	VSS[100]	W1
C14	VSS[020]	VSS[101]	W4
C16	VSS[021]	VSS[102]	W23
C19	VSS[022]	VSS[103]	W26
C2	VSS[023]	VSS[104]	Y3
C22	VSS[024]	VSS[105]	Y6
G25	VSS[025]	VSS[106]	Y21
G28	VSS[026]	VSS[107]	Y24
D8	VSS[027]	VSS[108]	AA2
D11	VSS[029]	VSS[110]	AA5
D13	VSS[030]	VSS[111]	AA8
D16	VSS[031]	VSS[112]	AA11
D19	VSS[032]	VSS[113]	AA14
D23	VSS[033]	VSS[114]	AA16
D26	VSS[034]	VSS[115]	AA19
E3	VSS[035]	VSS[116]	AA22
E6	VSS[036]	VSS[117]	AA25
E8	VSS[037]	VSS[118]	AB1
E11	VSS[038]	VSS[119]	AB4
E14	VSS[039]	VSS[120]	AB11
E16	VSS[040]	VSS[121]	AB13
E19	VSS[041]	VSS[122]	AB16
E21	VSS[042]	VSS[123]	AB19
E24	VSS[043]	VSS[124]	AB23
F8	VSS[044]	VSS[125]	AB26
F11	VSS[045]	VSS[126]	AC3
F13	VSS[046]	VSS[127]	AC6
F16	VSS[047]	VSS[128]	AC8
F19	VSS[048]	VSS[129]	AC11
F2	VSS[050]	VSS[131]	AC14
F22	VSS[051]	VSS[132]	AC16
G4	VSS[052]	VSS[133]	AC19
G1	VSS[053]	VSS[134]	AC21
G23	VSS[054]	VSS[135]	AC24
G26	VSS[055]	VSS[136]	AD2
H3	VSS[056]	VSS[137]	AD5
H6	VSS[057]	VSS[138]	AD8
H11	VSS[058]	VSS[139]	AD11
H24	VSS[059]	VSS[140]	AD16
J2	VSS[060]	VSS[141]	AD19
J5	VSS[062]	VSS[143]	AD22
J22	VSS[063]	VSS[144]	AD25
J25	VSS[064]	VSS[145]	AE1
K4	VSS[065]	VSS[146]	AE8
K23	VSS[066]	VSS[147]	AE11
K26	VSS[067]	VSS[148]	AE14
L3	VSS[069]	VSS[150]	AE16
L6	VSS[070]	VSS[151]	AE19
L21	VSS[071]	VSS[152]	AE23
M2	VSS[072]	VSS[153]	AE3
M5	VSS[073]	VSS[154]	AE6
M22	VSS[074]	VSS[155]	AE8
M25	VSS[075]	VSS[156]	AE8
N1	VSS[076]	VSS[157]	AE11
N4	VSS[077]	VSS[158]	AE13
N23	VSS[078]	VSS[159]	AE19
N26	VSS[079]	VSS[160]	AE21
P3	VSS[081]	VSS[161]	AE24
	VSS[081]	VSS[162]	AE24

VCC_CORE	U2C	VCC_CORE	AB20
	A7	VCC[001]	VCC[68]
	A9	VCC[002]	VCC[69]
	A10	VCC[003]	VCC[70]
	A12	VCC[004]	VCC[71]
	A13	VCC[005]	VCC[72]
	A15	VCC[006]	VCC[73]
	A17	VCC[007]	VCC[74]
	A18	VCC[008]	VCC[75]
	A20	VCC[009]	VCC[76]
	B7	VCC[010]	VCC[77]
	B8	VCC[011]	VCC[78]
	B12	VCC[012]	VCC[79]
	B14	VCC[013]	VCC[80]
	B15	VCC[014]	VCC[81]
	B18	VCC[016]	VCC[83]
	B18	VCC[017]	VCC[84]
	B20	VCC[018]	VCC[85]
	C3	VCC[019]	VCC[86]
	C10	VCC[020]	VCC[87]
	C12	VCC[021]	VCC[88]
	C13	VCC[022]	VCC[89]
	C15	VCC[023]	VCC[90]
	C17	VCC[024]	VCC[91]
	C18	VCC[025]	VCC[92]
	D9	VCC[026]	VCC[93]
	D10	VCC[028]	VCC[95]
	D12	VCC[028]	VCC[95]
	D14	VCC[029]	VCC[96]
	D15	VCC[030]	VCC[97]
	D17	VCC[031]	VCC[98]
	D18	VCC[032]	VCC[99]
	E7	VCC[033]	VCC[100]
	E10	VCC[035]	VCC[101]
	E12	VCC[036]	VCC[102]
	E13	VCC[037]	VCC[103]
	E15	VCC[038]	VCC[104]
	E17	VCC[039]	VCC[105]
	E18	VCC[040]	VCC[106]
	E20	VCC[041]	VCC[107]
	F7	VCC[042]	VCC[108]
	F9	VCC[043]	VCC[109]
	F10	VCC[044]	VCC[110]
	F12	VCC[045]	VCC[111]
	F14	VCC[046]	VCC[112]
	F15	VCC[047]	VCC[113]
	F17	VCC[048]	VCC[114]
	F18	VCC[049]	VCC[115]
	F20	VCC[050]	VCC[116]
	AA7	VCC[051]	VCC[117]
	AA9	VCC[052]	VCC[118]
	AA10	VCC[053]	VCC[119]
	AA12	VCC[054]	VCC[120]
	AA13	VCC[055]	VCC[121]
	AA15	VCC[056]	VCC[122]
	AA15	VCC[057]	VCC[123]
	AA20	VCC[058]	VCC[124]
	AB9	VCC[059]	VCC[125]
	AC10	VCC[060]	VCC[126]
	AB10	VCC[061]	VCC[127]
	AB12	VCC[062]	VCC[128]
	AB14	VCC[063]	VCC[129]
	AB15	VCC[064]	VCC[130]
	AB17	VCC[065]	VCC[131]
	AB18	VCC[066]	VCC[132]
		VCC[067]	VCC[133]



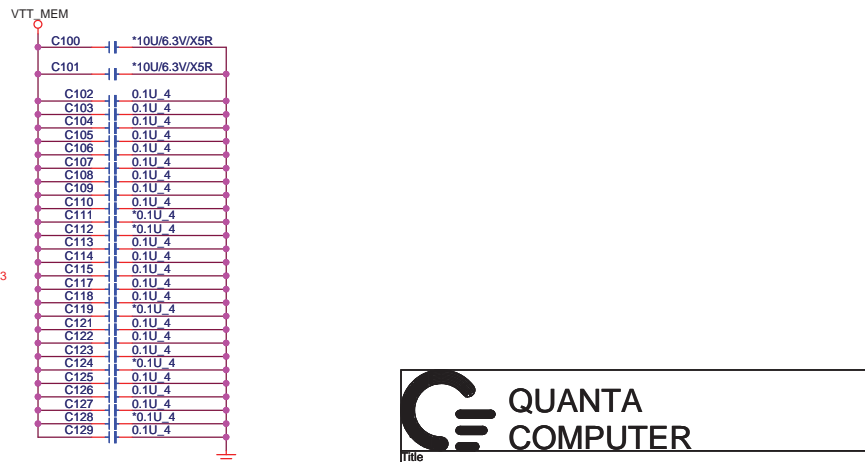
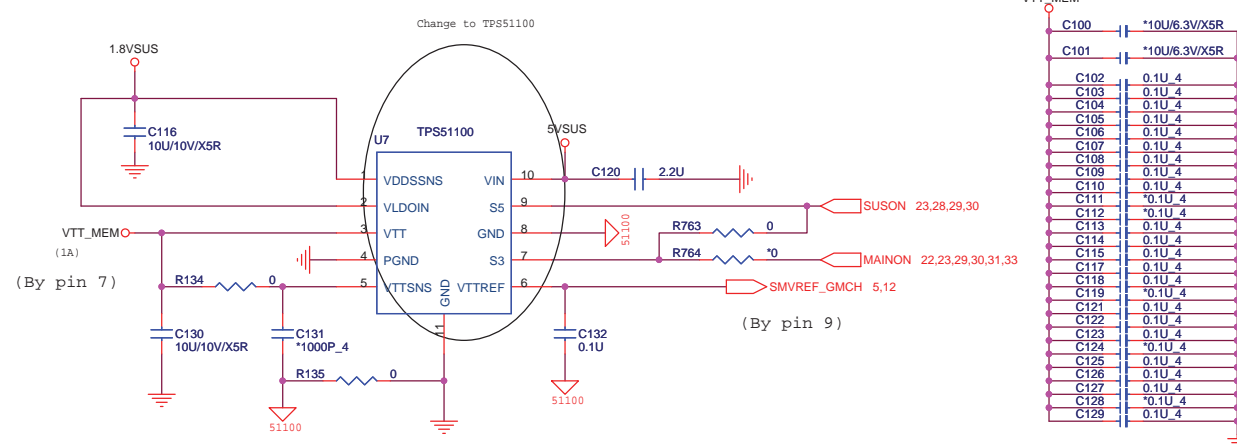
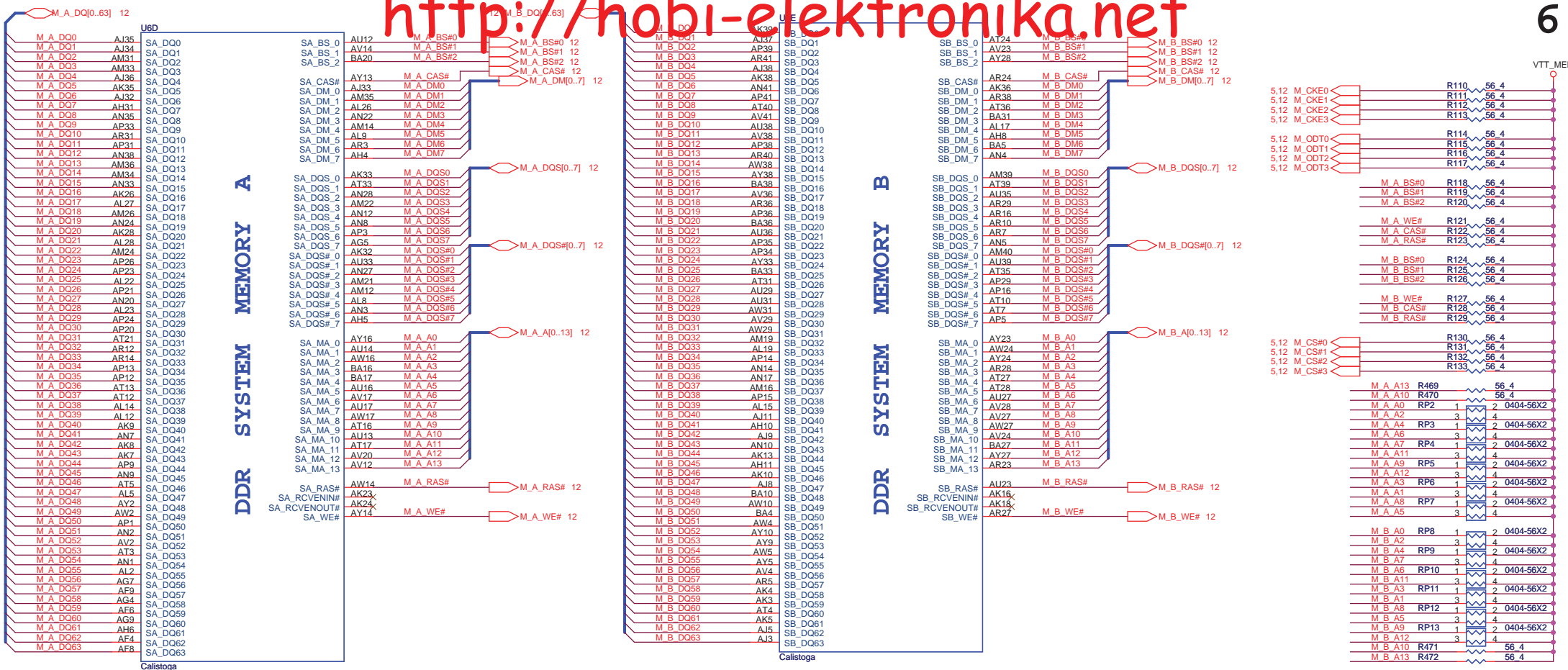
QUANTA COMPUTER

Title: **CPU 2 of 2**

Size: Document Number **RD2 Main Board** Rev 1A

Date: Tuesday, May 02, 2006 Sheet 4 of 35

1. This part should not contain any substances which are specified in SS-00259-1.
 2. Purchase ink, paint, wire rods and molding resins only from the business partners that Sony approves as Green Partners.



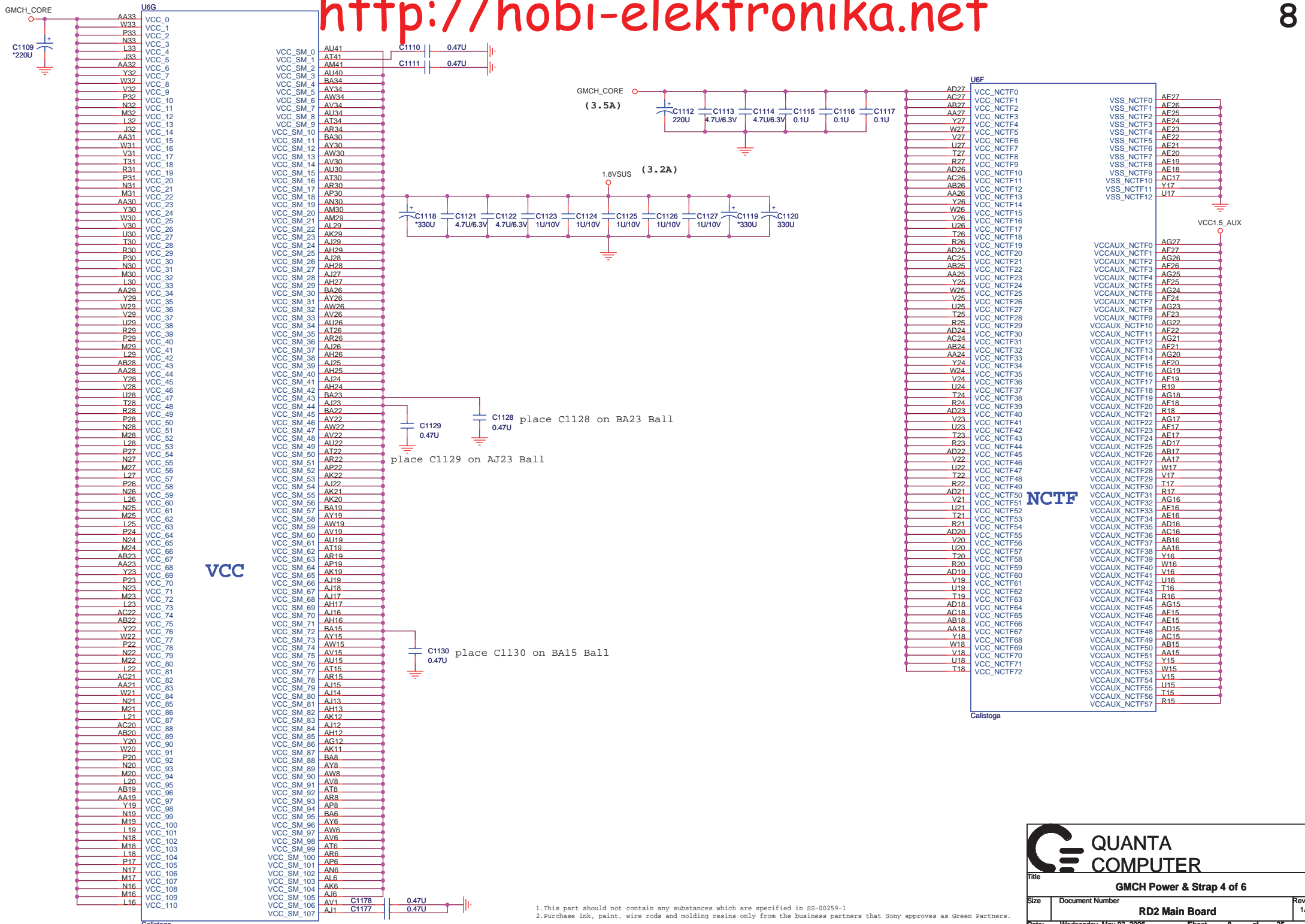
QUANTA COMPUTER

GMCH DDR II 2 of 6

RD2 Main Board

Monday, April 10, 2006 Sheet 6 of 35

1. This part should not contain any substances which are specified in SS-00259-1.
 2. Purchase ink, paint, wire rods and molding resins only from the business partners that Sony approves as Green Partners.



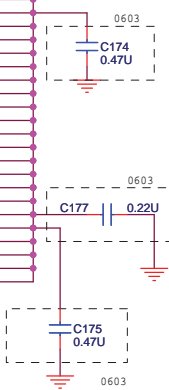
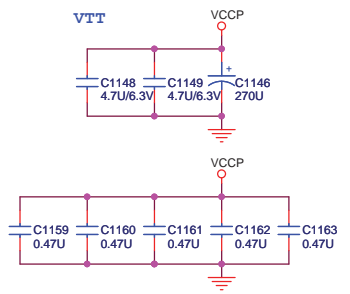
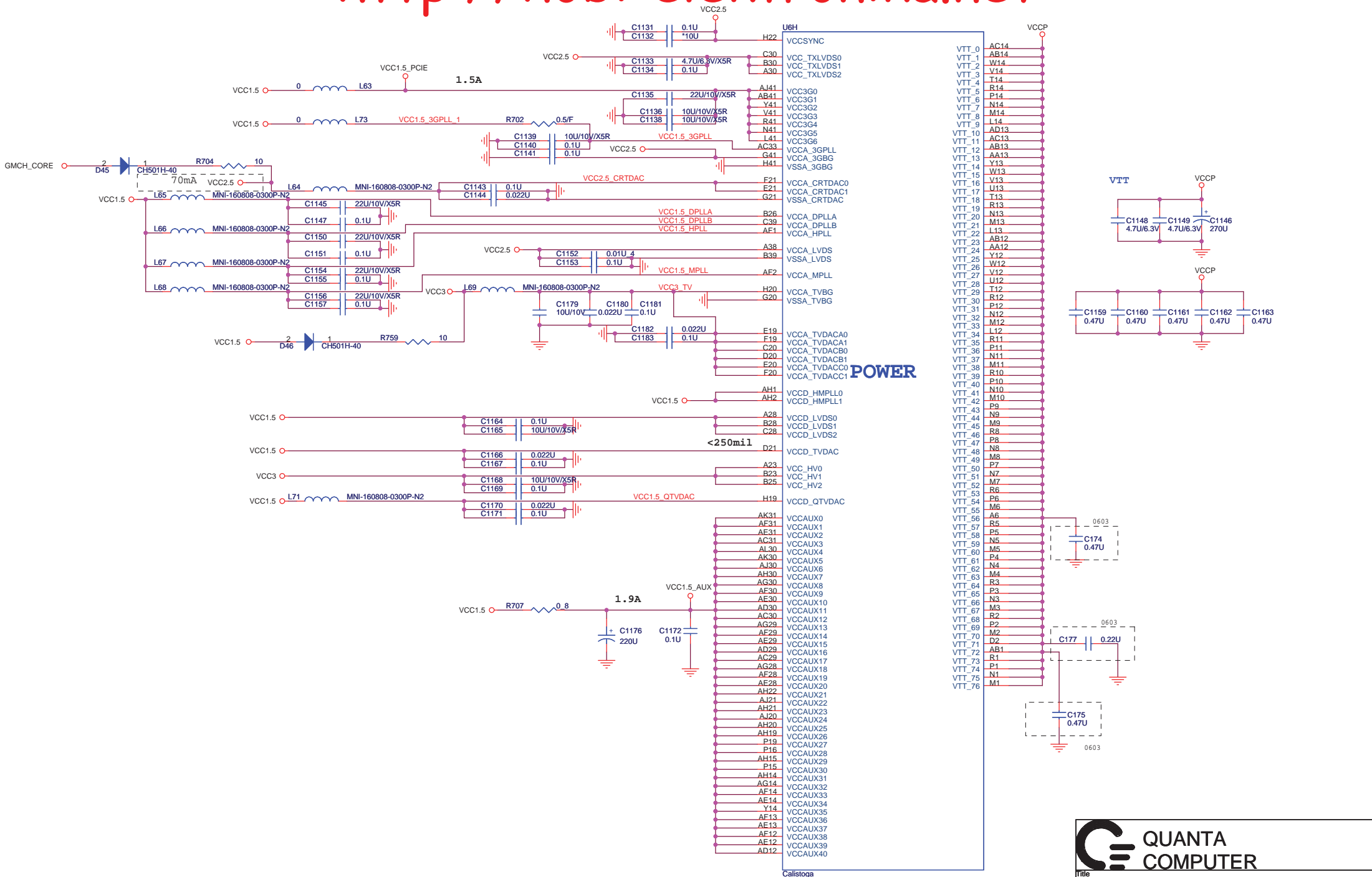
1. This part should not contain any substances which are specified in SS-00259-1.
 2. Purchase ink, paint, wire rods and molding resins only from the business partners that Sony approves as Green Partners.

QUANTA COMPUTER

Title: **GMCH Power & Strap 4 of 6**

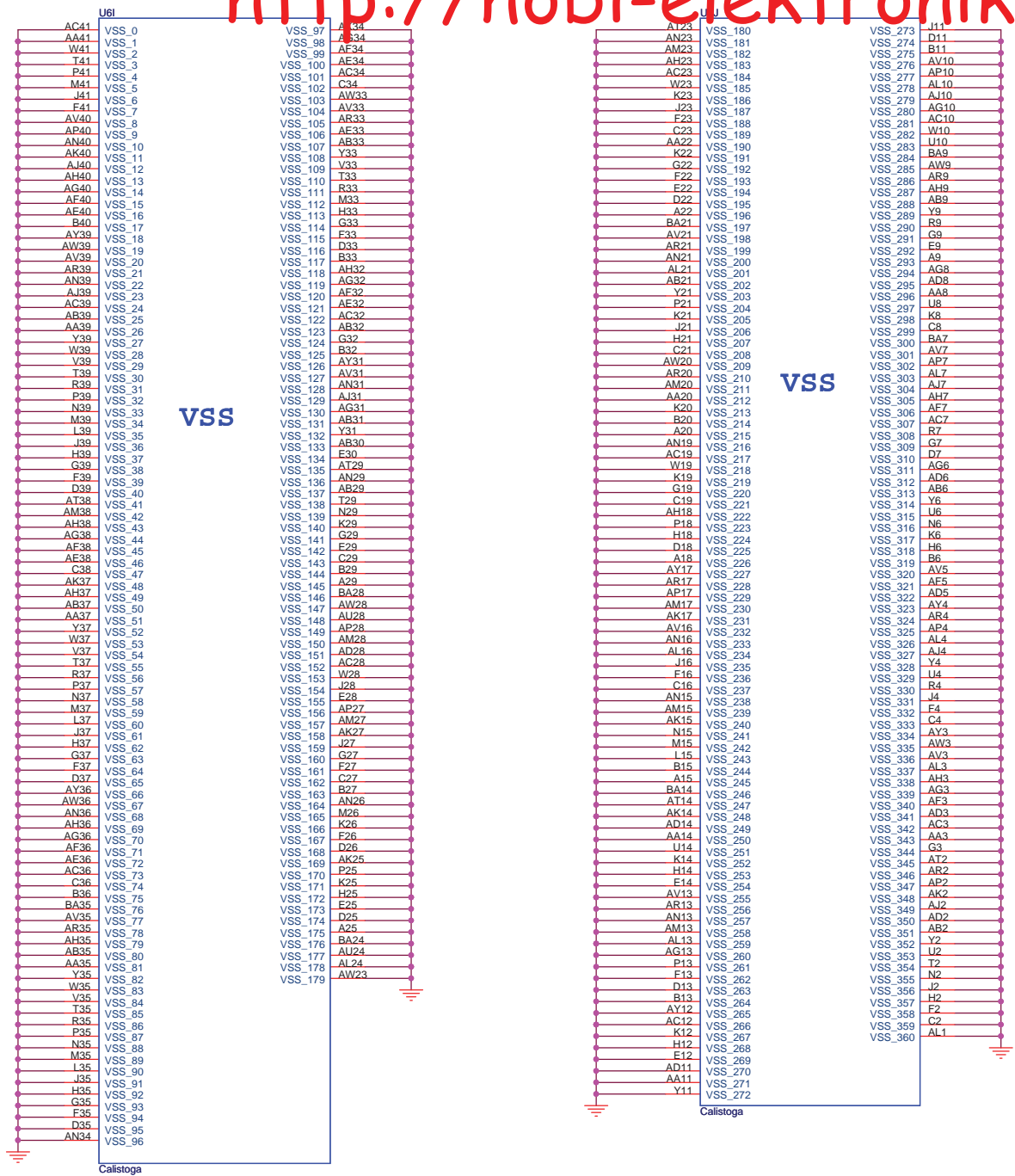
Size: Document Number **RD2 Main Board** Rev 1A

Date: **Wednesday, May 03, 2006** Sheet 8 of 35



Title		GMCH Power 2.5 of 6	
Size	Document Number	RD2 Main Board	Rev 1A
Date	Wednesday, May 03, 2006	Sheet 9	of 35

1. This part should not contain any substances which are specified in SS-00259-1
 2. Purchase ink, paint, wire rods and molding resins only from the business partners that Sony approves as Green Partners.



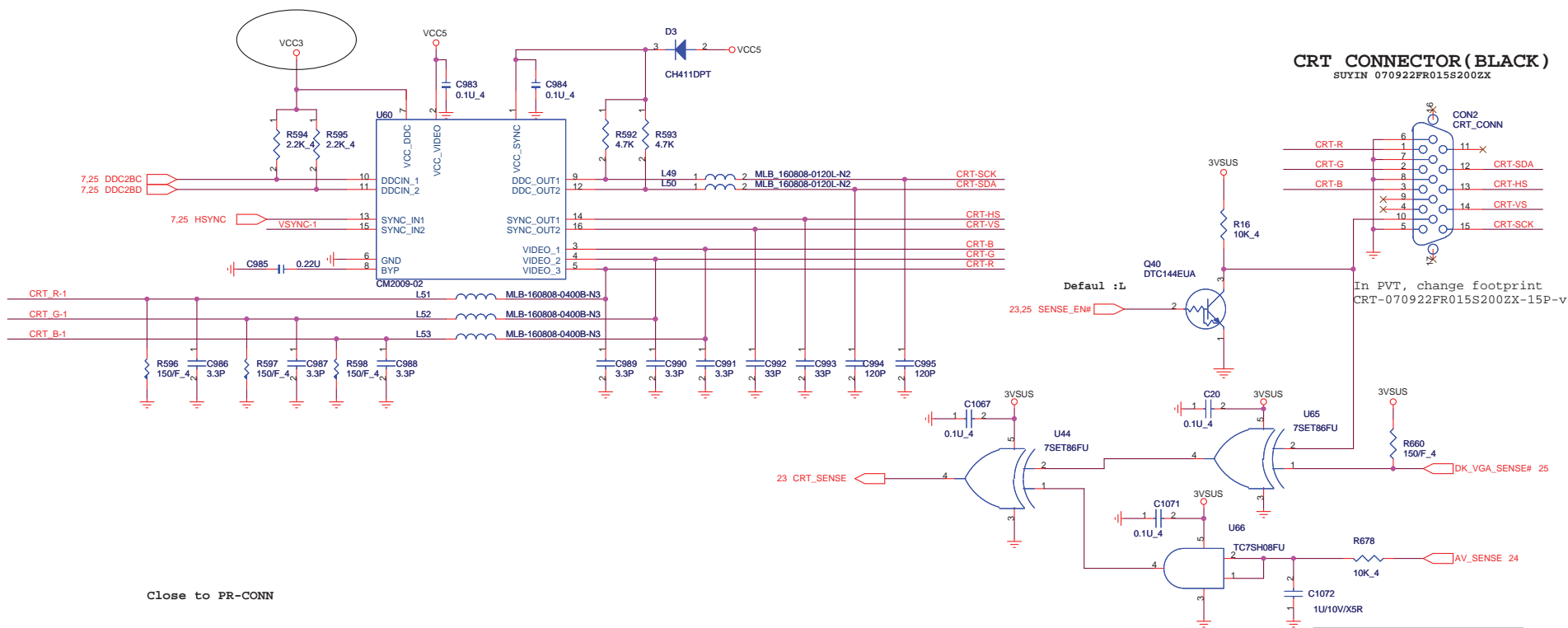
QUANTA COMPUTER

Title: **GMCH GND 6 of 6**

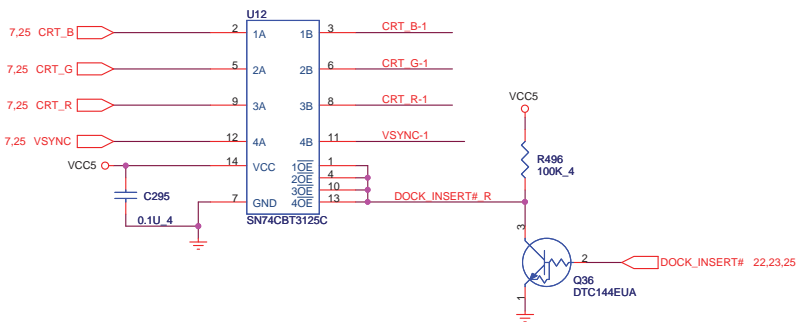
Size	Document Number	Rev
	RD2 Main Board	1A
Date:	Monday, April 10, 2006	Sheet 10 of 35

1. This part should not contain any substances which are specified in SS-00259-1
 2. Purchase ink, paint, wire rods and molding resins only from the business partners that Sony approves as Green Partners.

Change VCC2.5 to VCC3



Close to PR-CONN



Plug Display true table

- MB no CRT/AV
- MB CRT Plug
- MB AV-OUT Plug
- MB CRT/AV-OUT Plug
- DOCK No CRT/DVI /AV
- DOCK CRT Plug
- DOCK DVI Plug
- DOCK AV Plug
- DOCK CRT/DVI Plug
- DOCK DVI/AV Plug
- DOCK CRT/AV Plug
- DOCK CRT/DVI/AV Plug

DOCK_INSERT#	SENSE_EN#	MB CRT	DK_VGA_SENSE#	DOCK DVI	DOCK CRT	AV_SENSE	CRT_SENSE
H	L	H	H	X	X	L	L
H	L	L	H	X	X	L	H
H	L	H	H	X	X	H	H
H	L	L	H	X	X	H	L
L	L	H	H	L	H	L	L
L	L	H	L	L	H	L	H
L	L	H	H	L	H	H	H
L	L	H	H	H	L	L	L
L	L	H	L	H	H	H	L
L	L	H	H	L	L	H	L
L	L	H	H	H	L	H	H
X	H	X	X	X	X	X	L

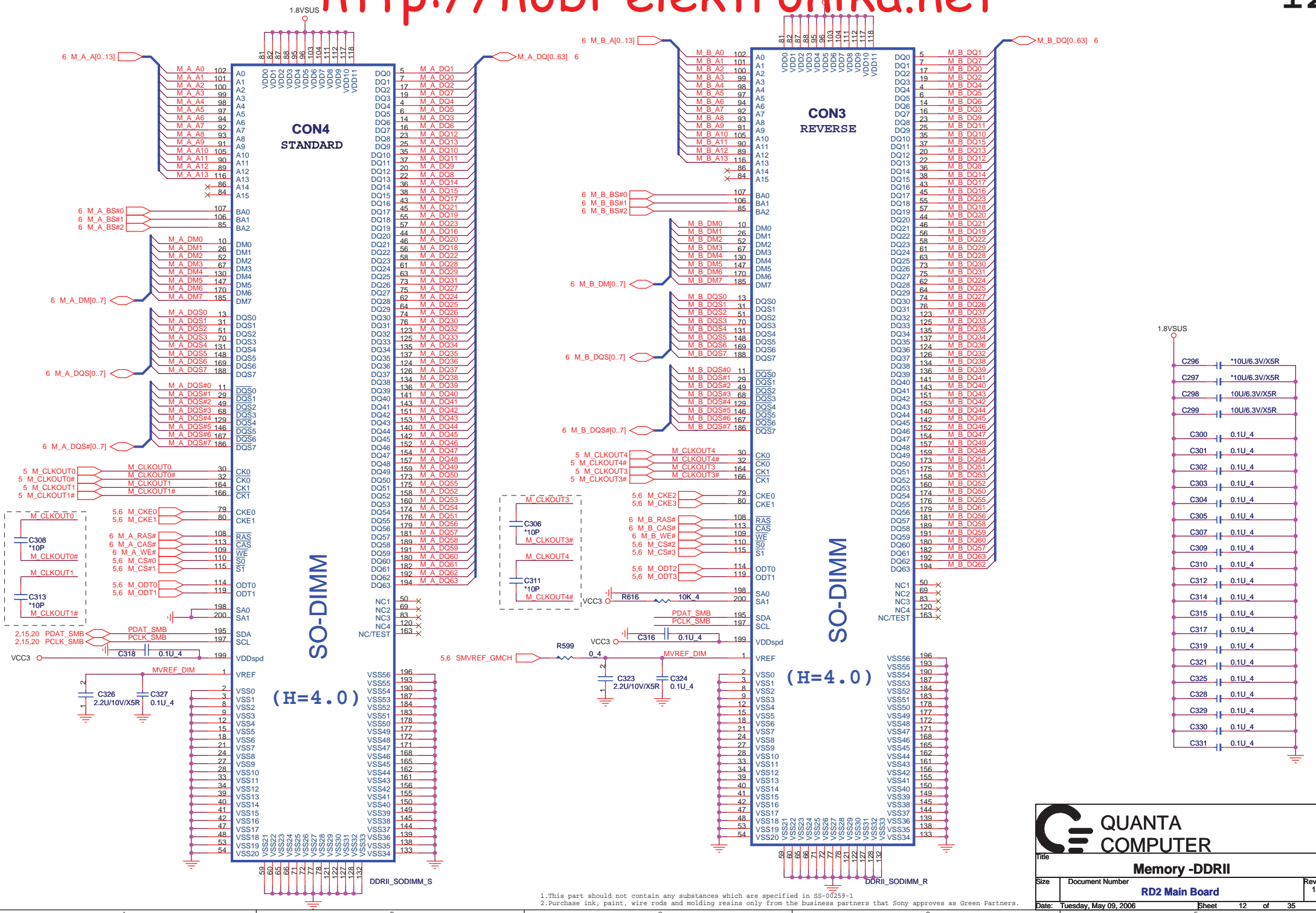
QUANTA COMPUTER

File: **CRT /AV OUT**

Size: Document Number **RD2 Main Board** Rev **1A**

Date: Monday, April 10, 2006 Sheet 11 of 35

1. This part should not contain any substances which are specified in SS-00259-1
 2. Purchase ink, paint, wire rods and molding resins only from the business partners that Sony approves as Green Partners.



1. This part should not contain any substances which are specified in SS-00259-1
2. Purchase ink, paint, wire rods and molding resins only from the business partners that Sony approves as Green Partners.

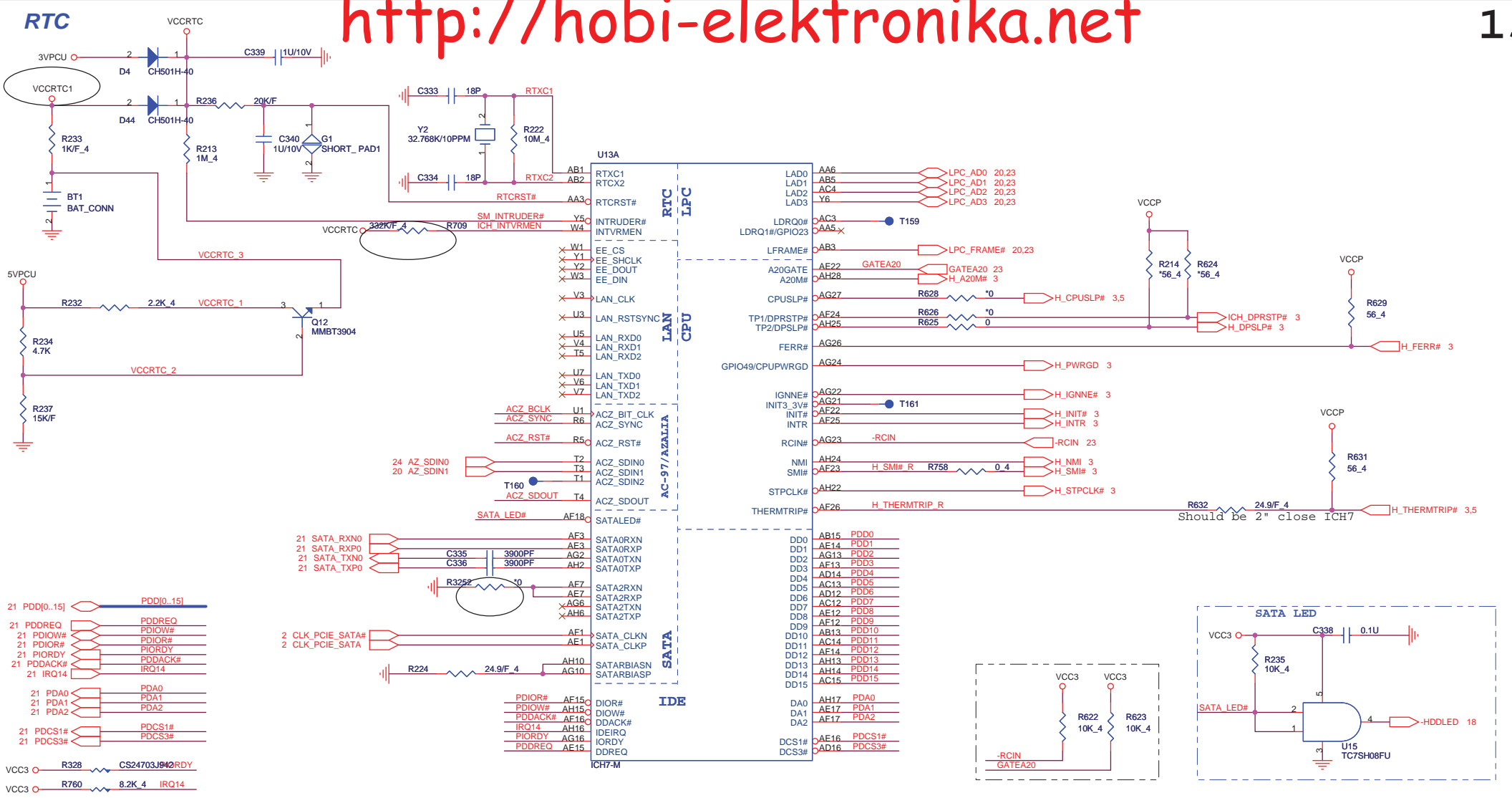
QUANTA COMPUTER

Memory -DDRII

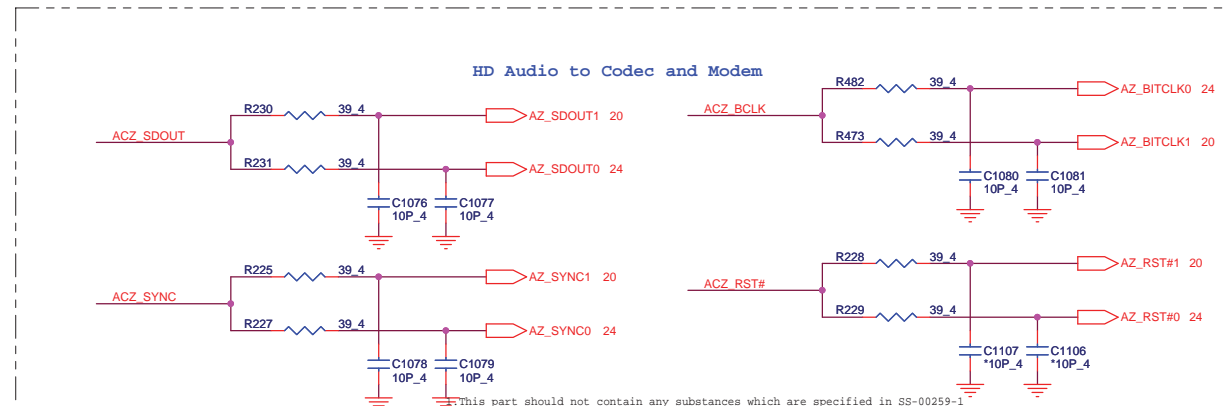
RD2 Main Board

Size	Document Number	Rev
		1A

Date: Tuesday, May 09, 2006 Sheet 12 of 35



- 21 PDD[0..15] PDD[0..15]
- 21 PDDREQ PDDREQ
- 21 PDIOW# PDIOW#
- 21 PDIOR# PDIOR#
- 21 PIORDY PIORDY
- 21 PDDACK# PDDACK#
- 21 IRQ14 IRQ14
- 21 PDA0 PDA0
- 21 PDA1 PDA1
- 21 PDA2 PDA2
- 21 PDCS1# PDCS1#
- 21 PDCS3# PDCS3#
- VCC3 R328 CS24703J40 PIORDY
- VCC3 R760 8.2K_4 IRQ14



QUANTA COMPUTER

Title: ICH7-M HOST1 of 4

Size: Document Number: RD2 Main Board

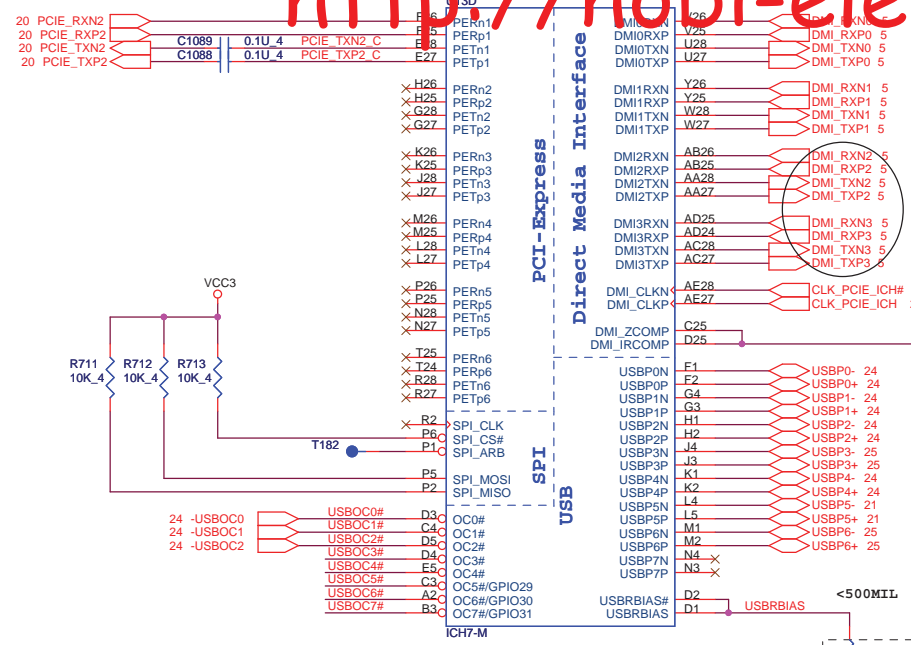
Date: Wednesday, May 03, 2006

Sheet 13 of 35

Rev 1A

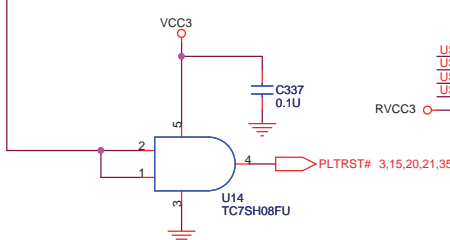
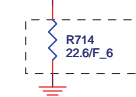
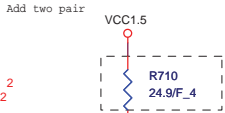
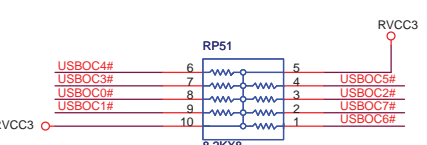
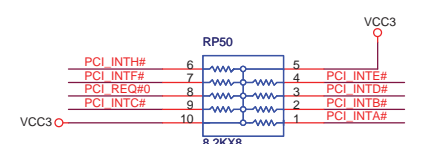
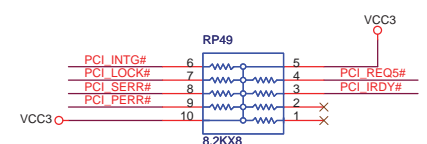
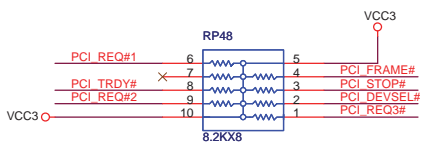
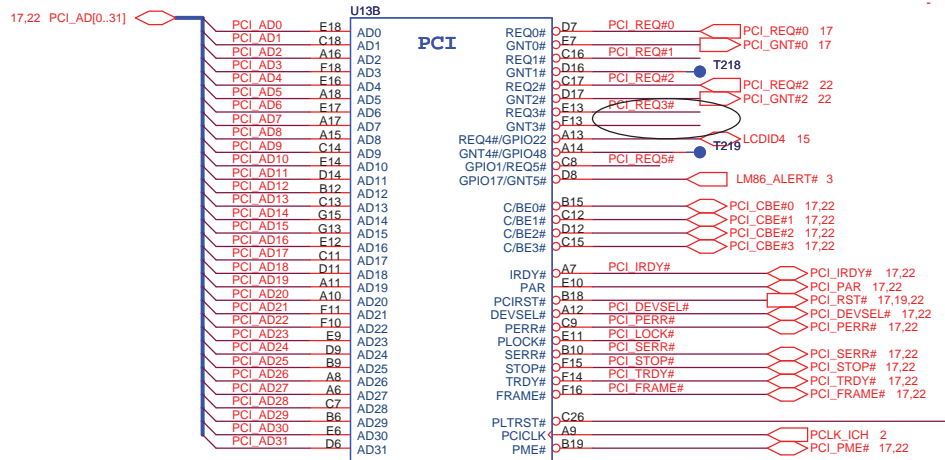
This part should not contain any substances which are specified in SS-00259-1. Purchase ink, paint, wire rods and molding resins only from the business partners that Sony approves as Green Partners.

MINI PCIE



PCI bus info.

PCI DEVICE	IDSEL#	REQ# / GNT#	Interrupts
PCI7420	AD25	REQ0# / GNT0#	PIRQ E/F/G
MINI-PCI	AD26	REQ3# / GNT3#	PIRQ C/H
8100CL	AD24	REQ2# / GNT2#	PIRQ B



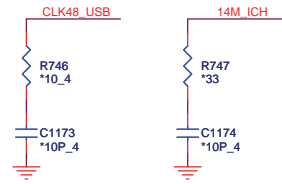
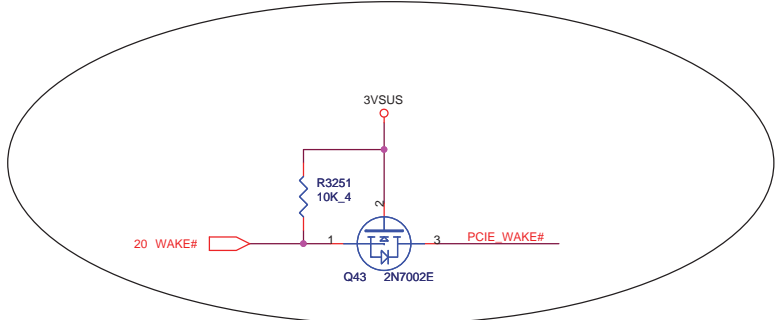
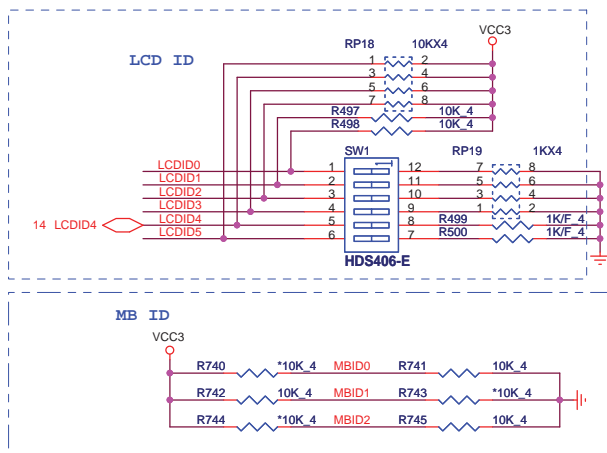
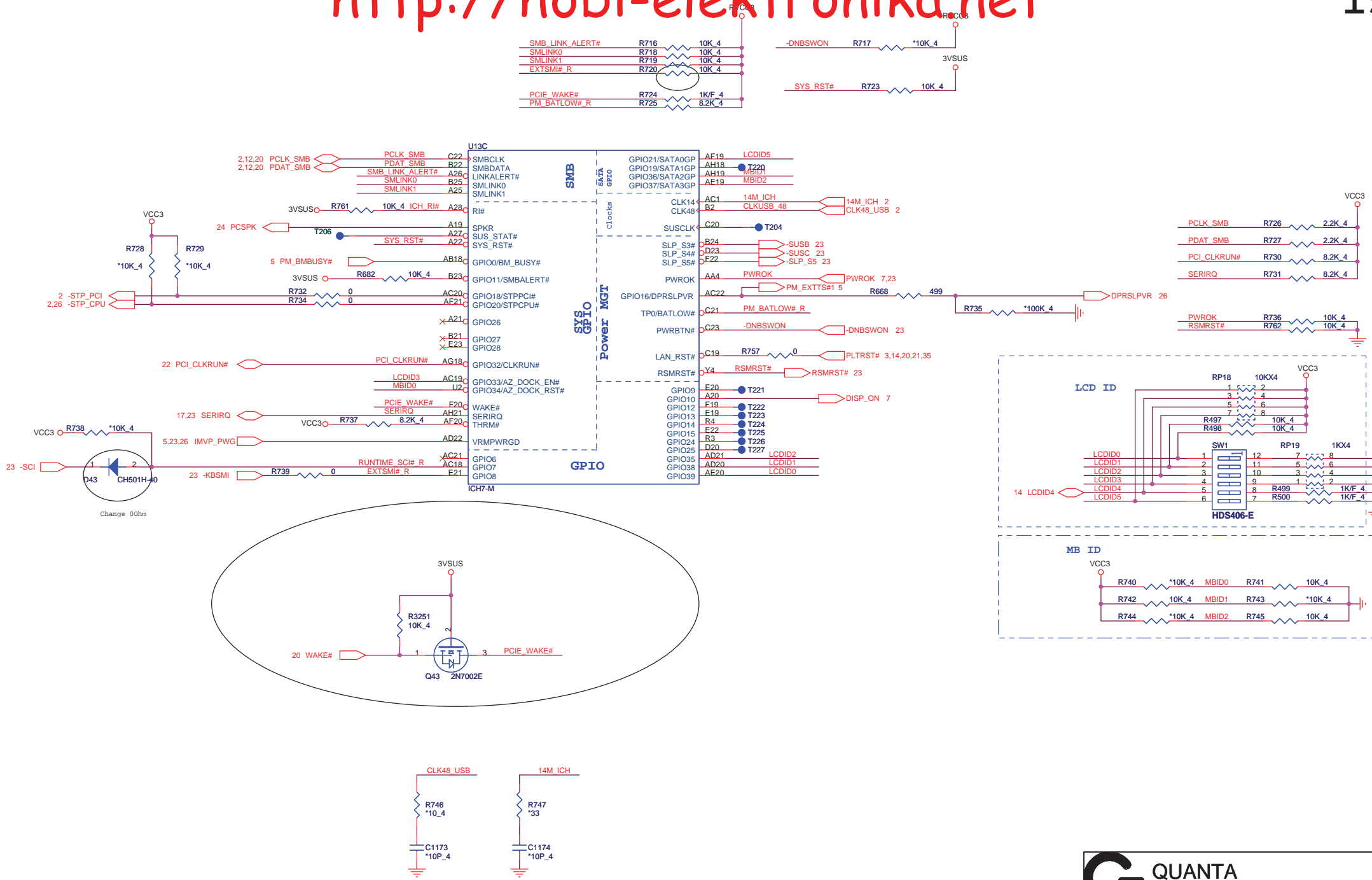
QUANTA COMPUTER

title ICH7-M PCIE 2 of 4

Size	Document Number	Rev
	RD2 Main Board	1A

Date: Wednesday, May 03, 2006 Sheet 14 of 35

1. This part should not contain any substances which are specified in SS-00259-1
 2. Purchase ink, paint, wire rods and molding resins only from the business partners that Sony approves as Green Partners.



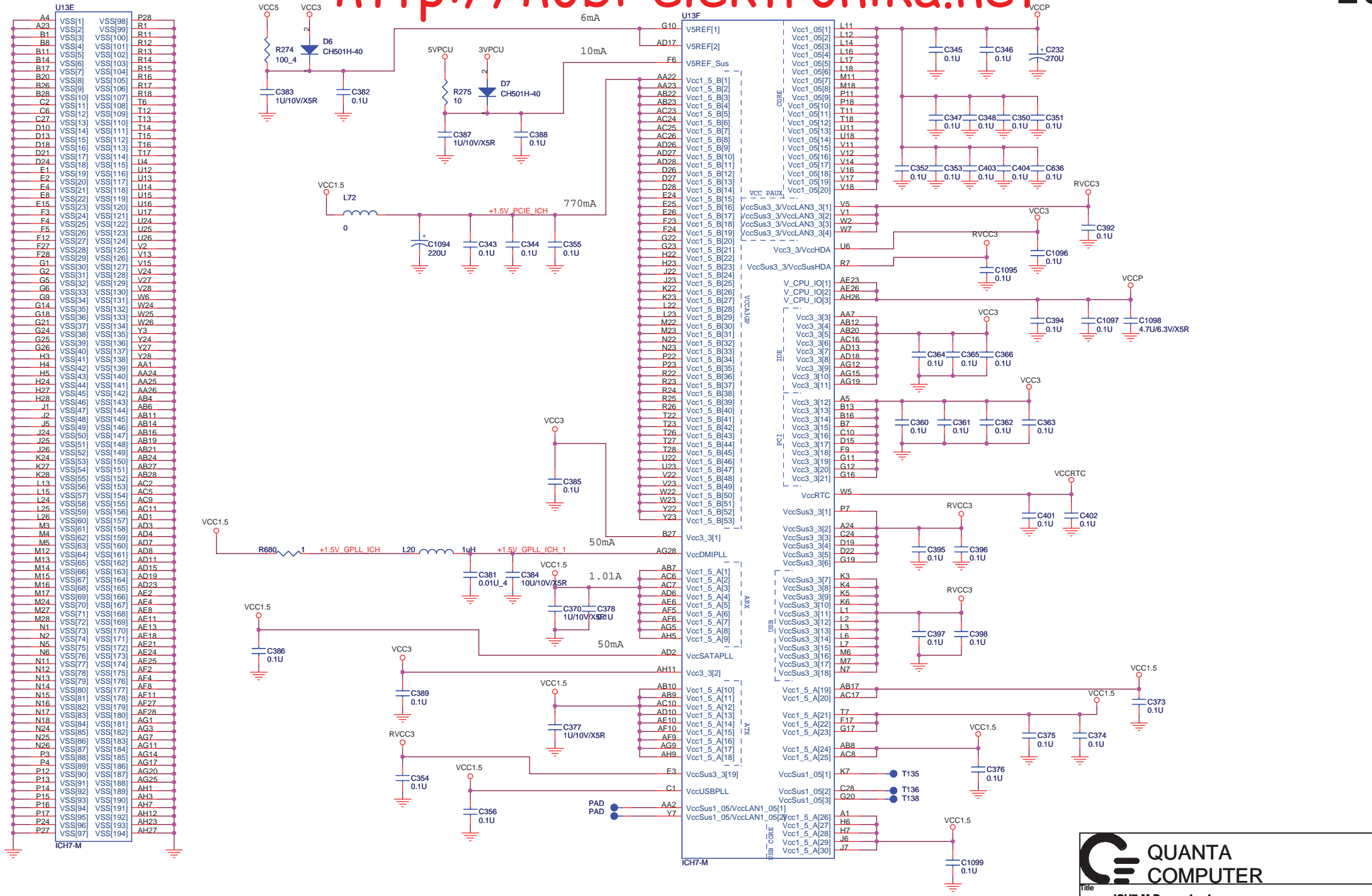
QUANTA COMPUTER

Title: **ICH7-M GPIO 3 of 4**

Size: Document Number **RD2 Main Board** Rev 1A

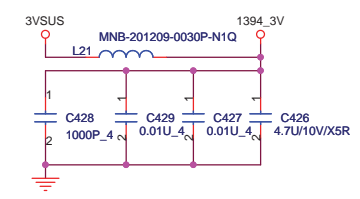
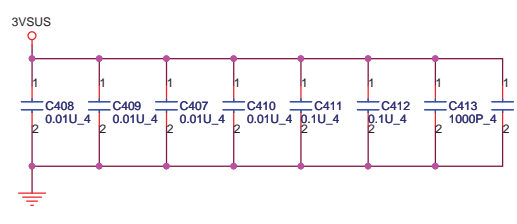
Date: Monday, April 10, 2006 Sheet 15 of 35

1.This part should not contain any substances which are specified in SS-00259-1
 2.Purchase ink, paint, wire rods and molding resins only from the business partners that Sony approves as Green Partners.



Title		ICH7-M Power 4 o 4	
Size	Document Number	Rev 1A	
		RD2 Main Board	
Date:	Monday, April 10, 2006	Sheet	16 of 35

1. This part should not contain any substances which are specified in SS-00259-1
 2. Purchase ink, paint, wire rods and molding resins only from the business partners that Sony approves as Green Partners.

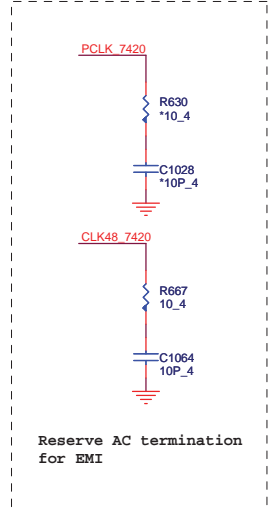


14.22 PCI_AD[0..31]

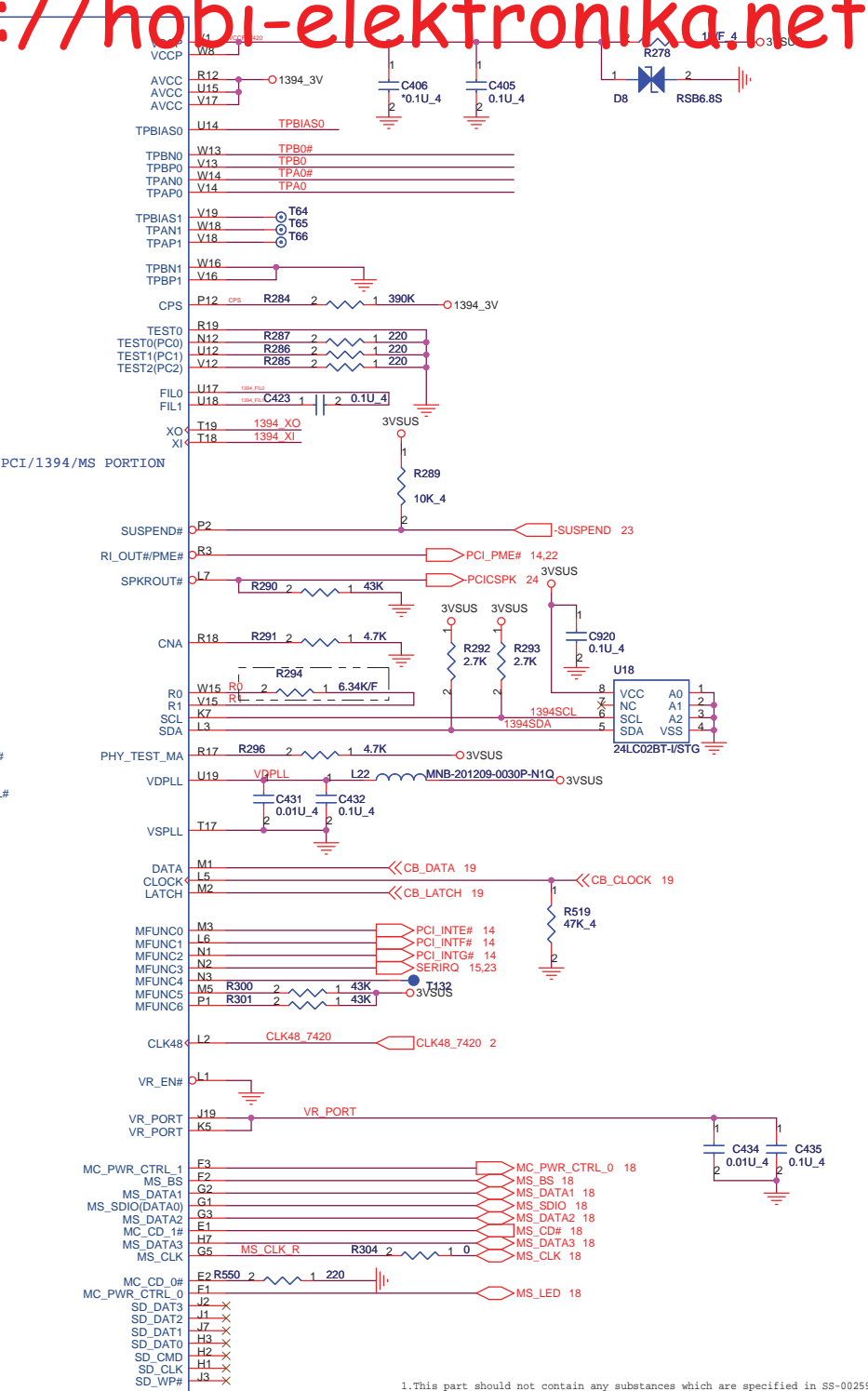
- PCI_AD31 T2 AD31
- PCI_AD30 P5 AD30
- PCI_AD29 U1 AD29
- PCI_AD28 U2 AD28
- PCI_AD27 T3 AD27
- PCI_AD26 P6 AD26
- PCI_AD25 V2 AD25
- PCI_AD24 U3 AD24
- PCI_AD23 W3 AD23
- PCI_AD22 U4 AD22
- PCI_AD21 R6 AD21
- PCI_AD20 V4 AD20
- PCI_AD19 W4 AD19
- PCI_AD18 U5 AD18
- PCI_AD17 N7 AD17
- PCI_AD16 V5 AD16
- PCI_AD15 W7 AD15
- PCI_AD14 U8 AD14
- PCI_AD13 V8 AD13
- PCI_AD12 N10 AD12
- PCI_AD11 R9 AD11
- PCI_AD10 V9 AD10
- PCI_AD9 W9 AD9
- PCI_AD8 V10 AD8
- PCI_AD7 W10 AD7
- PCI_AD6 R10 AD6
- PCI_AD5 W11 AD5
- PCI_AD4 V11 AD4
- PCI_AD3 U11 AD3
- PCI_AD2 N11 AD2
- PCI_AD1 R11 AD1
- PCI_AD0 W12 AD0

- 14.22 PCI_CBE#3 W2 C/BE3#
- 14.22 PCI_CBE#2 R7 C/BE2#
- 14.22 PCI_CBE#1 P9 C/BE1#
- 14.22 PCI_CBE#0 U10 C/BE0#
- 14.22 PCI_PAR N9 PAR
- 14.22 PCI_AD25 V3 IDSEL
- 14 PCI_REQ#0 T10 REQ#
- 14 PCI_GNT#0 R2 GNT#
- 14.22 PCI_FRAME# W5 FRAME#
- 14.22 PCI_IRDY# U6 IRDY#
- 14.22 PCI_TRDY# R8 TRDY#
- 14.22 PCI_DEVSSEL# W6 DEVSSEL#
- 14.22 PCI_STOP# U7 STOP#
- 14.22 PCI_PERR# U7C PERR#
- 14.22 PCI_SERR# V7C SERR#

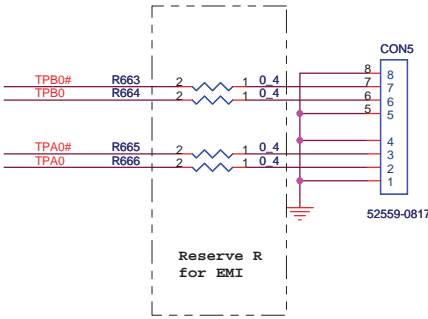
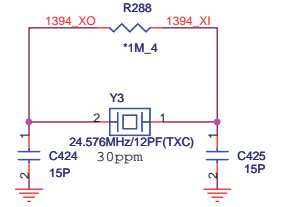
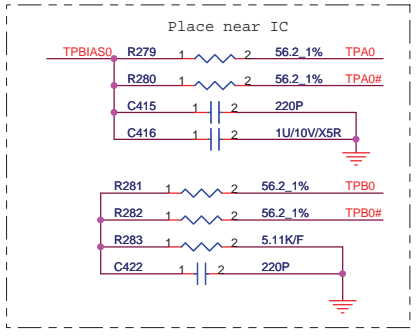
- 2 PCLK_7420 R1 PCLK 7420
- 14,19,22 PCI_RST# R297 RST#
- 26,27,28,29 PGOOD R627 PGOOD



Reserve AC termination for EMI



PCI/1394/MS PORTION



52559-0817

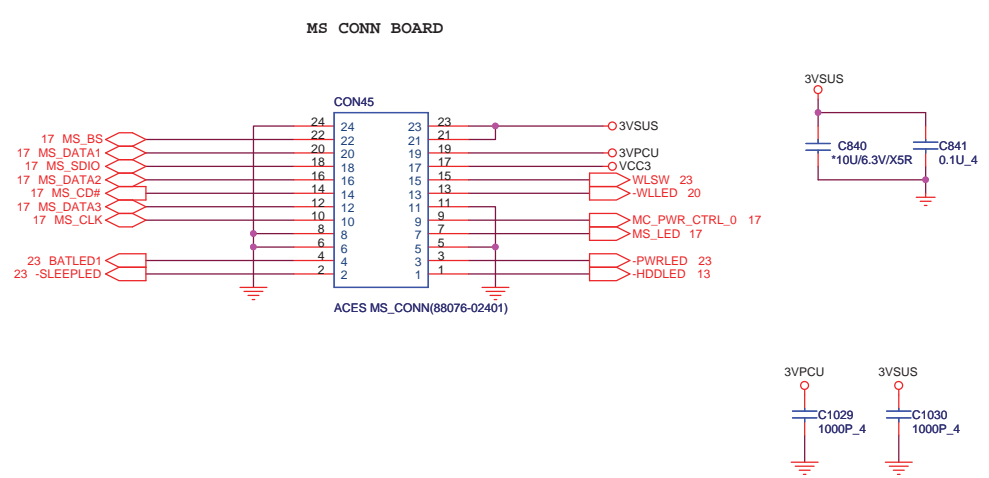
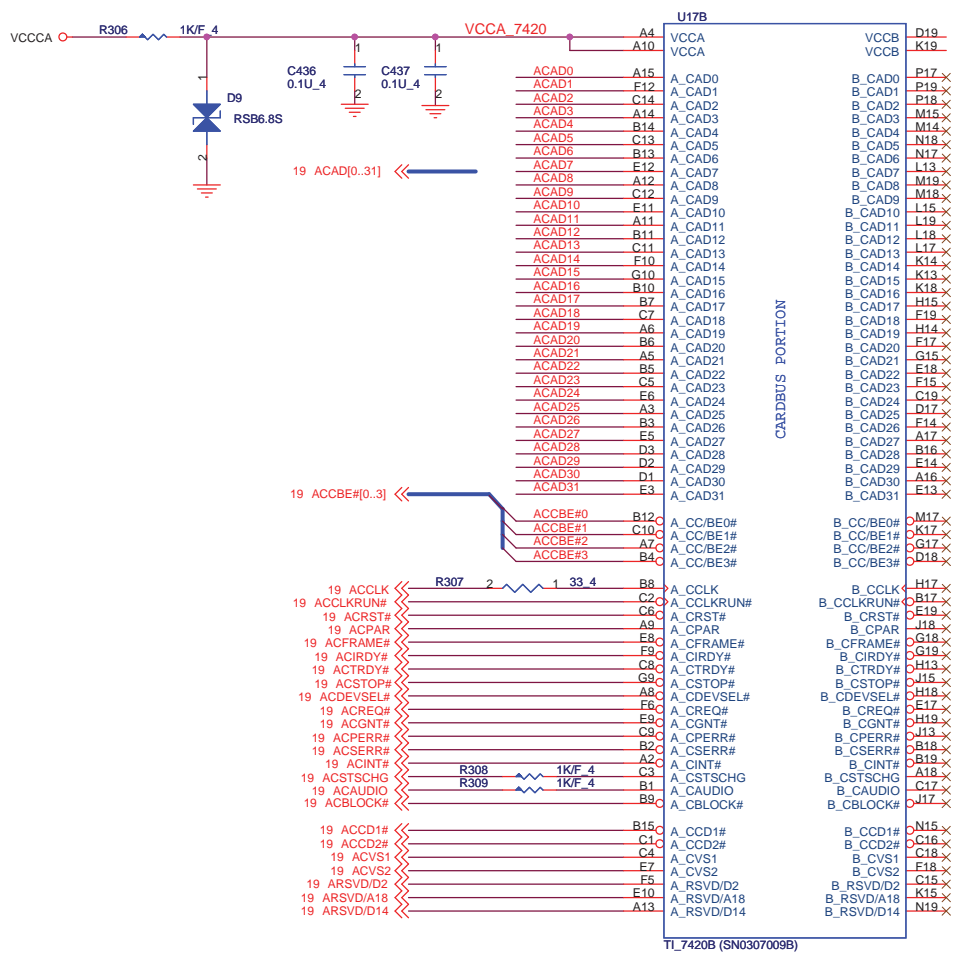


TI-7420 CardBus Control - A

Size	Document Number	Rev
	RD2 Main Board	1A
Date:	Tuesday, May 09, 2006	Sheet 17 of 35

1. This part should not contain any substances which are specified in SS-00259-1
 2. Purchase ink, paint, wire rods and molding resins only from the business partners that Sony approves as Green Partners.

MB side : ACES 88076-02401 with boss
MS side : ACES 88066-02401 with boss
H=2.0mm



QUANTA COMPUTER

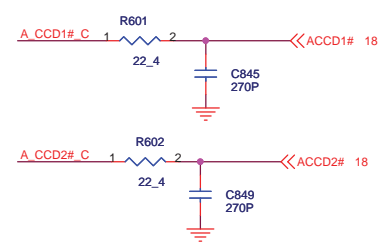
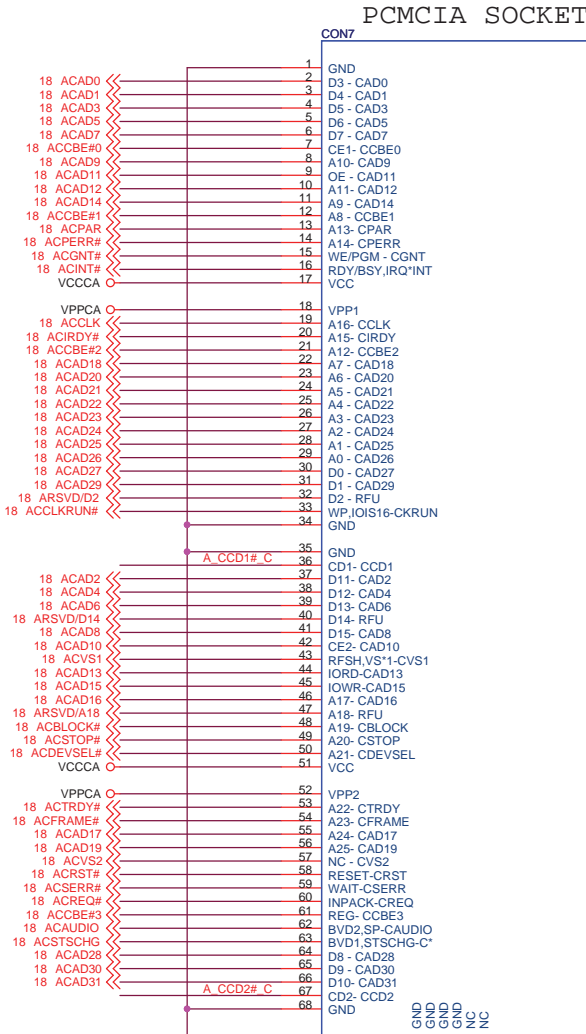
Title: **TI-7420B CardBus Control -- B**

Size	Document Number	Rev
	RD2 Main Board	1A

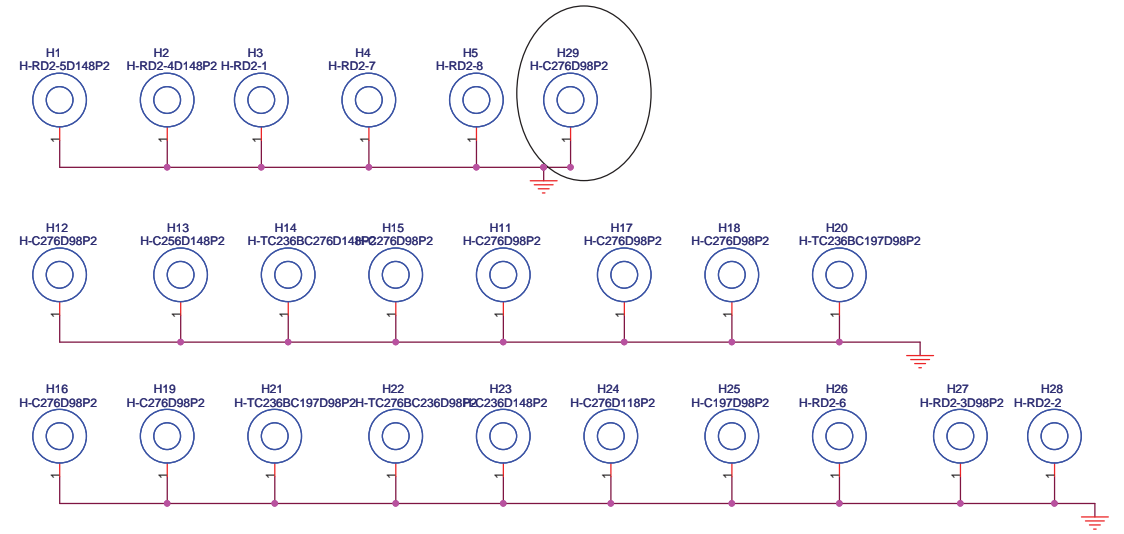
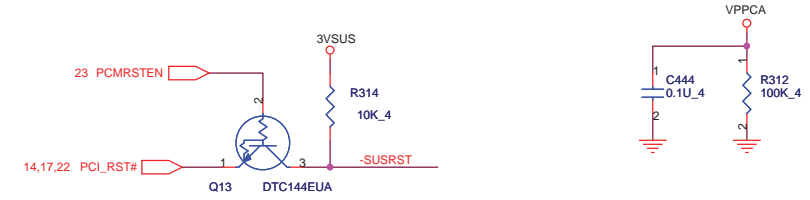
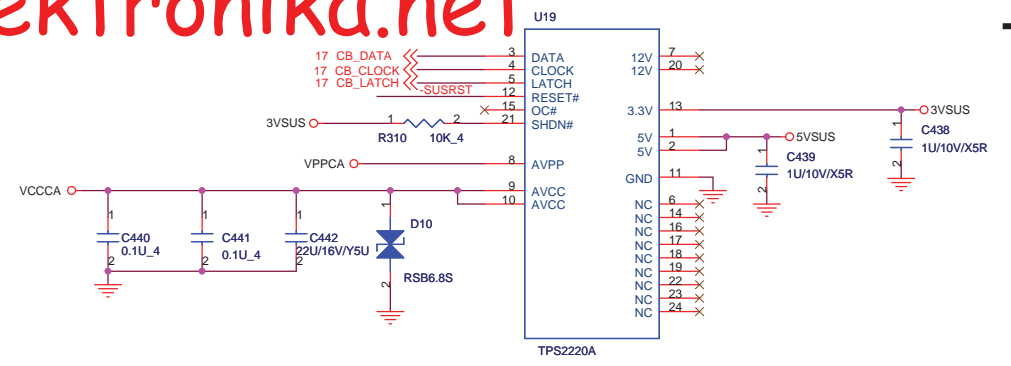
Date: Tuesday, May 09, 2006 Sheet 18 of 35

1. This part should not contain any substances which are specified in SS-00259-1
2. Purchase ink, paint, wire rods and molding resins only from the business partners that Sony approves as Green Partners.

18 ACAD[0..31] <<==
 18 ACCBE#[0..3] <<==



CardBus inject : 130660-1 , FB0A6063017
 CardBus CONN : 130610-1



**QUANTA
COMPUTER**

Title: **CARBUS SLOT**

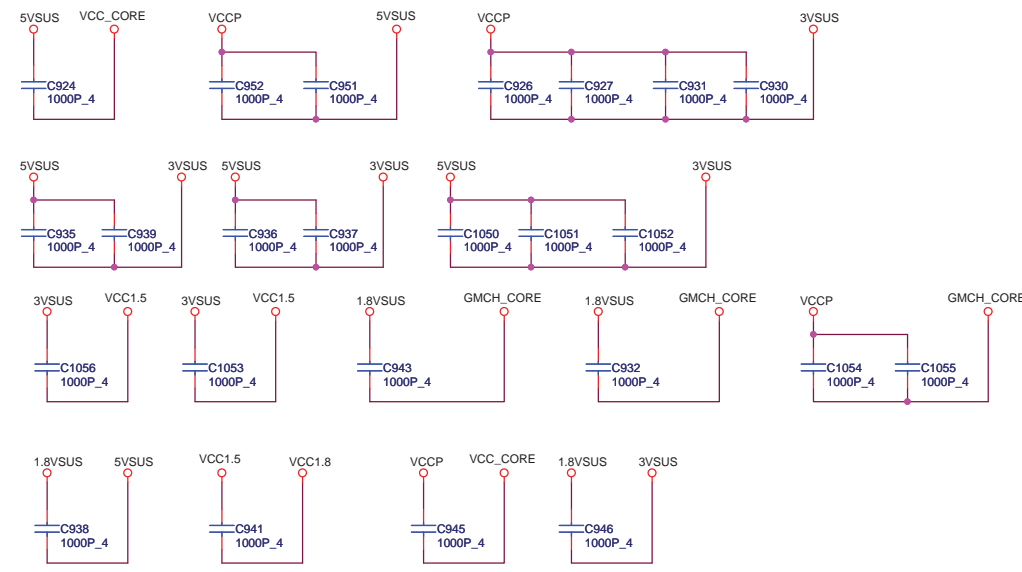
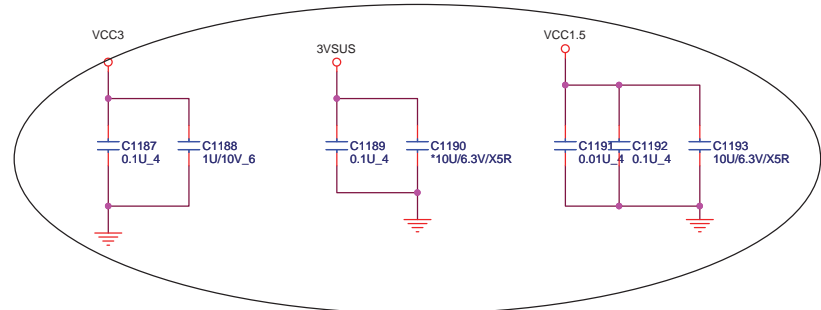
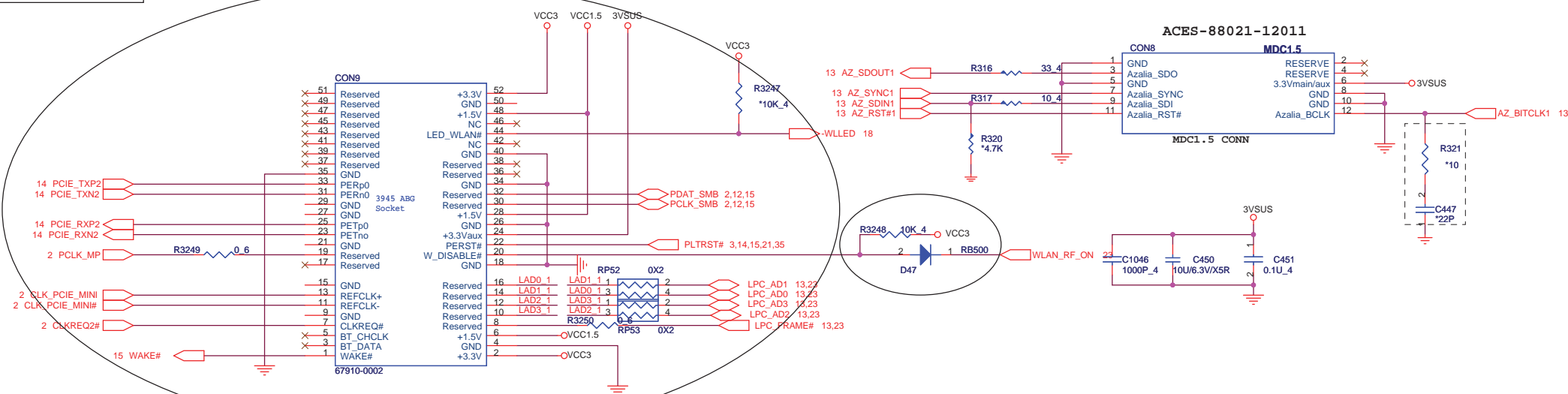
Size: _____ Document Number: _____ Rev: 1A

Date: Tuesday, May 09, 2006 Sheet 19 of 35

1.This part should not contain any substances which are specified in SS-00259-1
 2.Purchase ink, paint, wire rods and molding resins only from the business partners that Sony approves as Green Partners.

MDC V1.5

LED_GP :LED WLEN LINK
Output Current : 7mA
Blink rate : 1 flash
per every 3 sec.
WLSW:
Low : disable the radio.
High : Enable the radio.



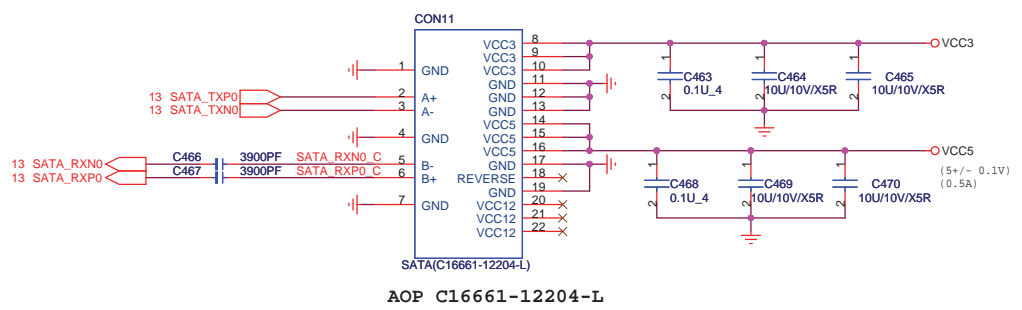
QUANTA COMPUTER

Title: **MINIPCI /MDC**

Size	Document Number	Rev
	RD2 Main Board	1A
Date:	Thursday, April 13, 2006	Sheet 20 of 35

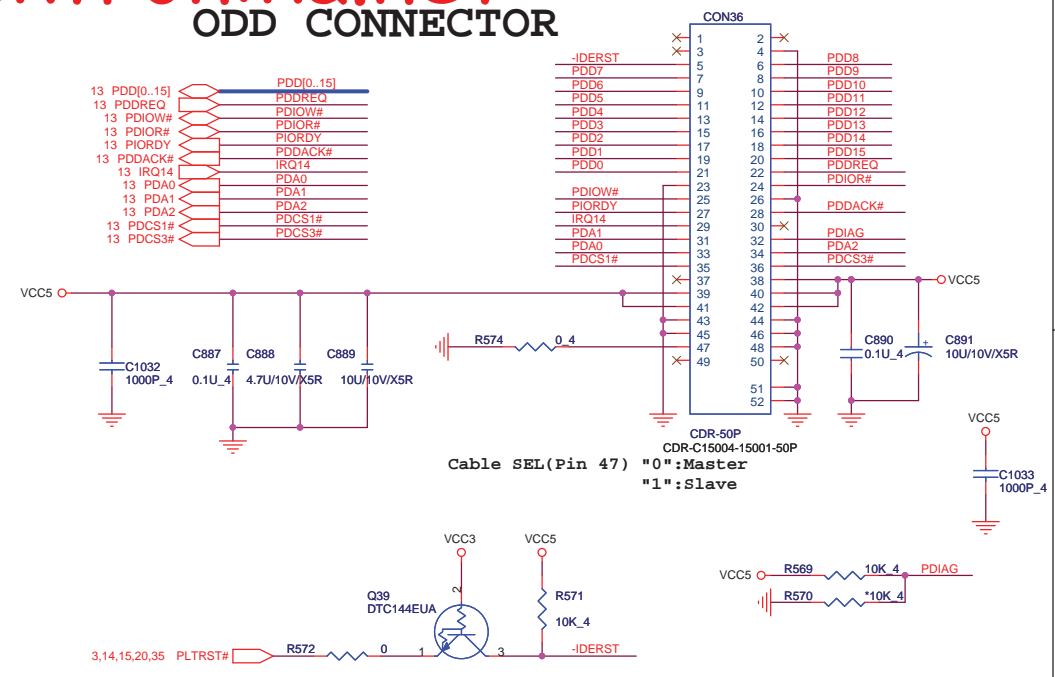
1.This part should not contain any substances which are specified in SS-00259-1
2.Purchase ink, paint, wire rods and molding resins only from the business partners that Sony approves as Green Partners.

HDD CONNECTOR



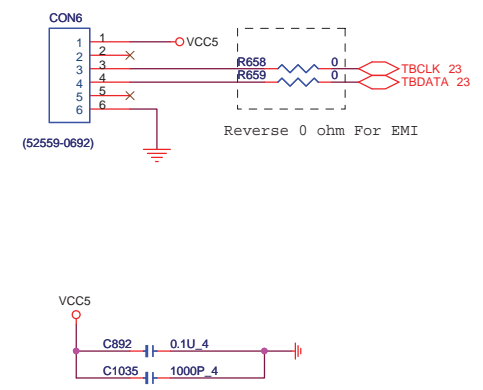
AOP C16661-12204-L

ODD CONNECTOR



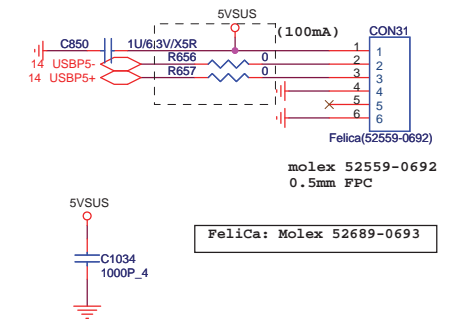
Cable SEL (Pin 47) "0":Master "1":Slave

TOUCH PAD CONNECTOR



Reverse 0 ohm For EMI

FeliCa



FeliCa: Molex 52689-0693

QUANTA COMPUTER

Title: **HDD/ODD/TP/FeliCa**

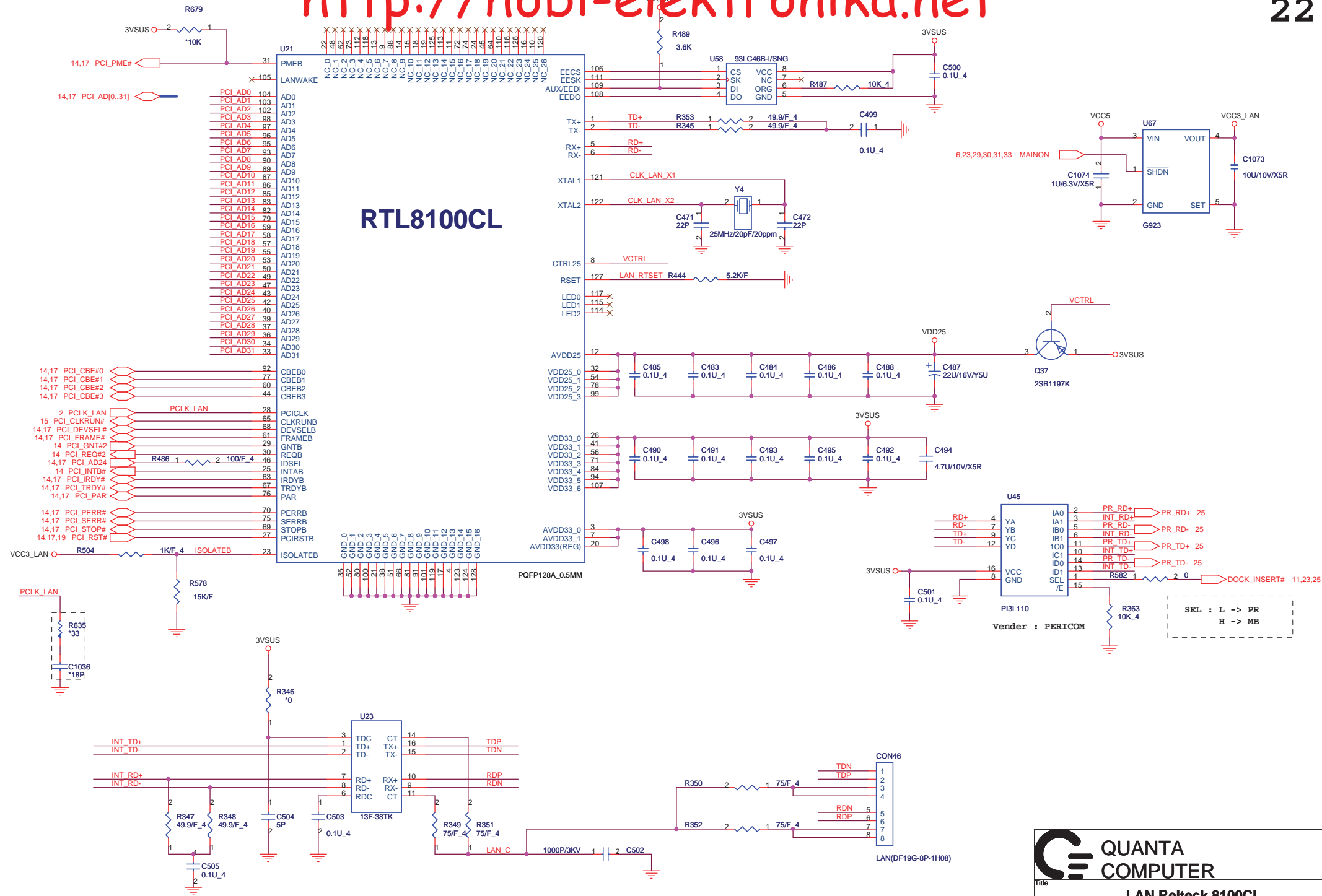
Size: **RD2 Main Board**

Date: Tuesday, May 09, 2006 Sheet 21 of 35

Rev 1A

1.This part should not contain any substances which are specified in SS-00259-1
 2.Purchase ink, paint, wire rods and molding resins only from the business partners that Sony approves as Green Partners.

RTL8100CL



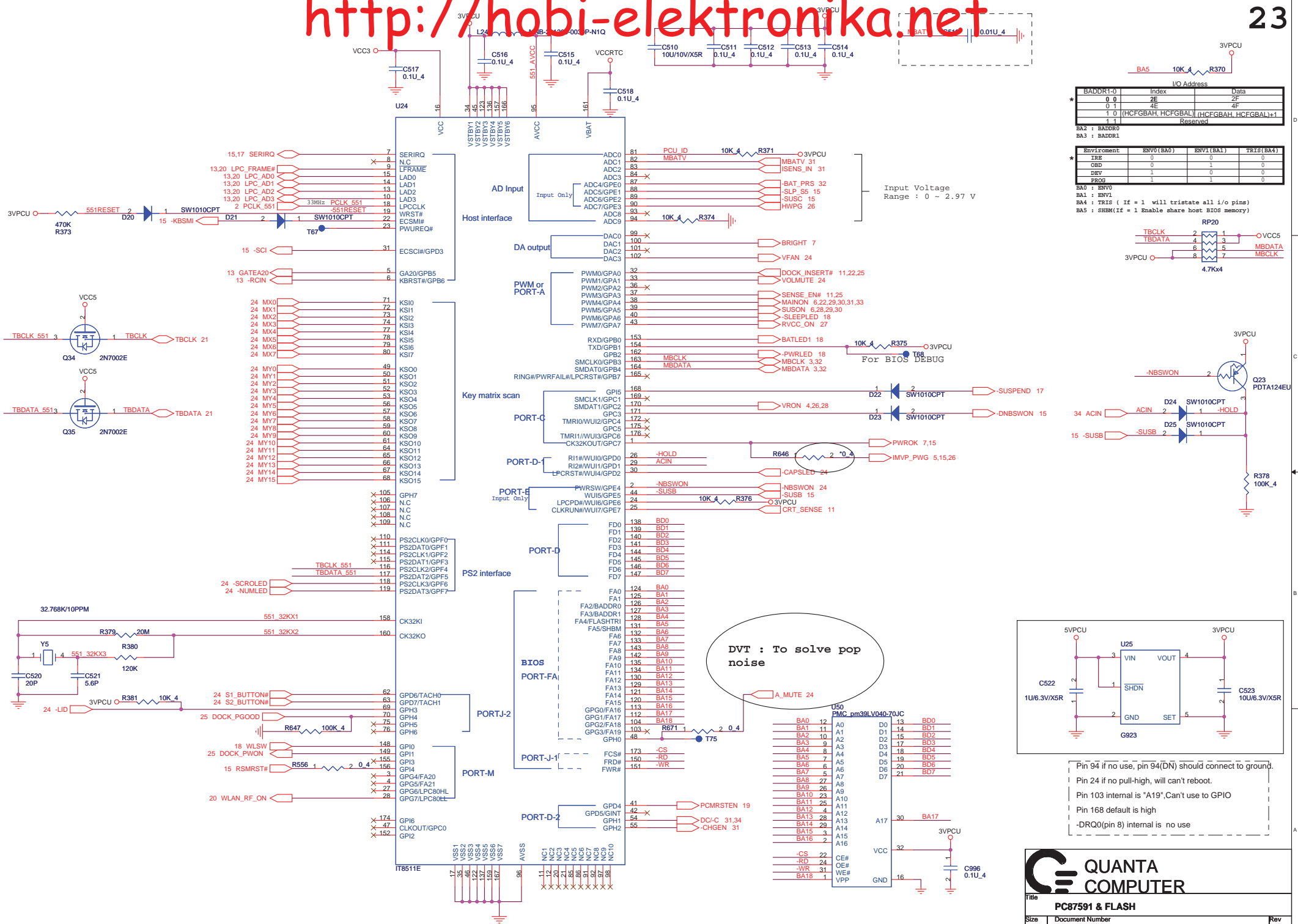
1. This part should not contain any substances which are specified in SS-00259-1
 2. Purchase ink, paint, wire rods and molding resins only from the business partners that Sony approves as Green Partners.

**QUANTA
COMPUTER**

Title: **LAN Relteck 8100CL**

Size	Document Number	Rev
	RD2 Main Board	1A

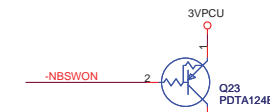
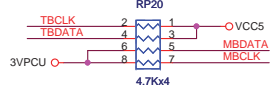
Date: Tuesday, May 09, 2006 Sheet 22 of 35



IO Address table with columns: BADDR1-0, Index, Data. Rows show values for BADDR0, BADDR1, and BADDR2.

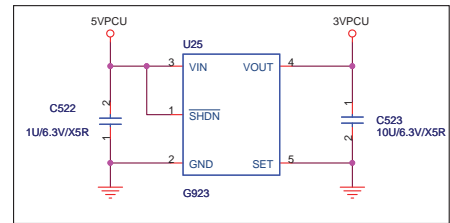
Environment table with columns: Environment, ENV0(BA0), ENV1(BA1), TRIS(BA4). Rows show values for TRIS, ENV0, ENV1, DEV, and PROG.

BA0 : ENV0
BA1 : ENV1
BA4 : TRIS (If = 1 will tristate all i/o pins)
BA5 : SSBM (If = 1 Enable share host BIOS memory)



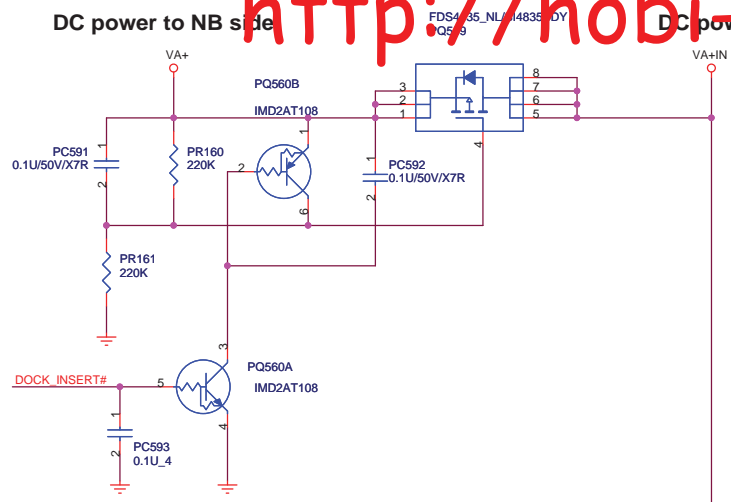
DVT : To solve pop noise
A_MUTE 24

Pin list table for U50 PMC pm39LV040-70JC, showing signals like BA0-BA7, BA9-BA16, CS, RD, WR, WE, VPP and their corresponding pin numbers.

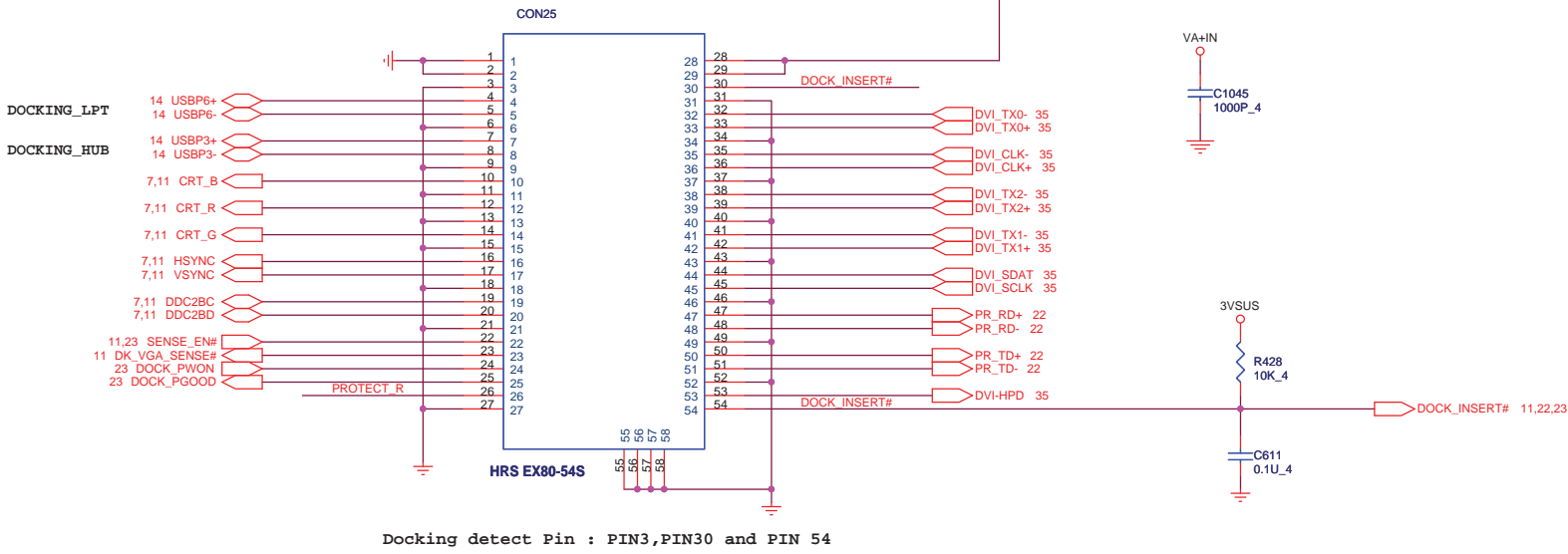


- Pin 94 if no use, pin 94(DN) should connect to ground.
- Pin 24 if no pull-high, will can't reboot.
- Pin 103 internal is "A19", Can't use to GPIO
- Pin 168 default is high
- DRQ0(pin 8) internal is no use

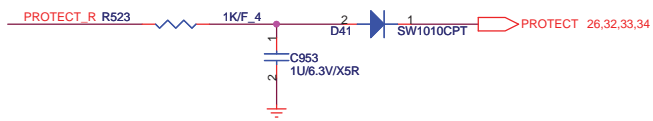
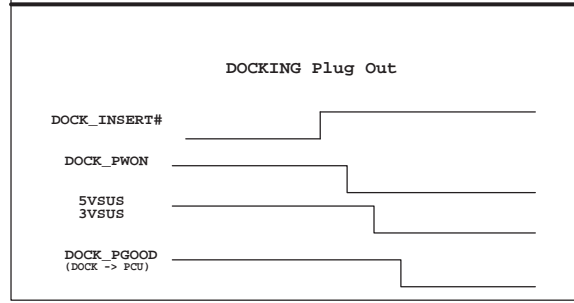
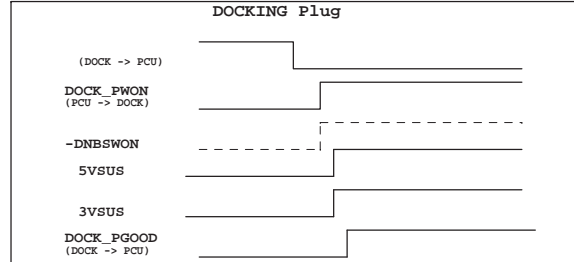
QUANTA COMPUTER logo and title: PC87591 & FLASH. Document Number: RD2 Main Board. Date: Tuesday, May 09, 2006. Sheet: 23 of 35. Rev: 1A.



Port Replicator CONN



Docking detect Pin : PIN3, PIN30 and PIN 54



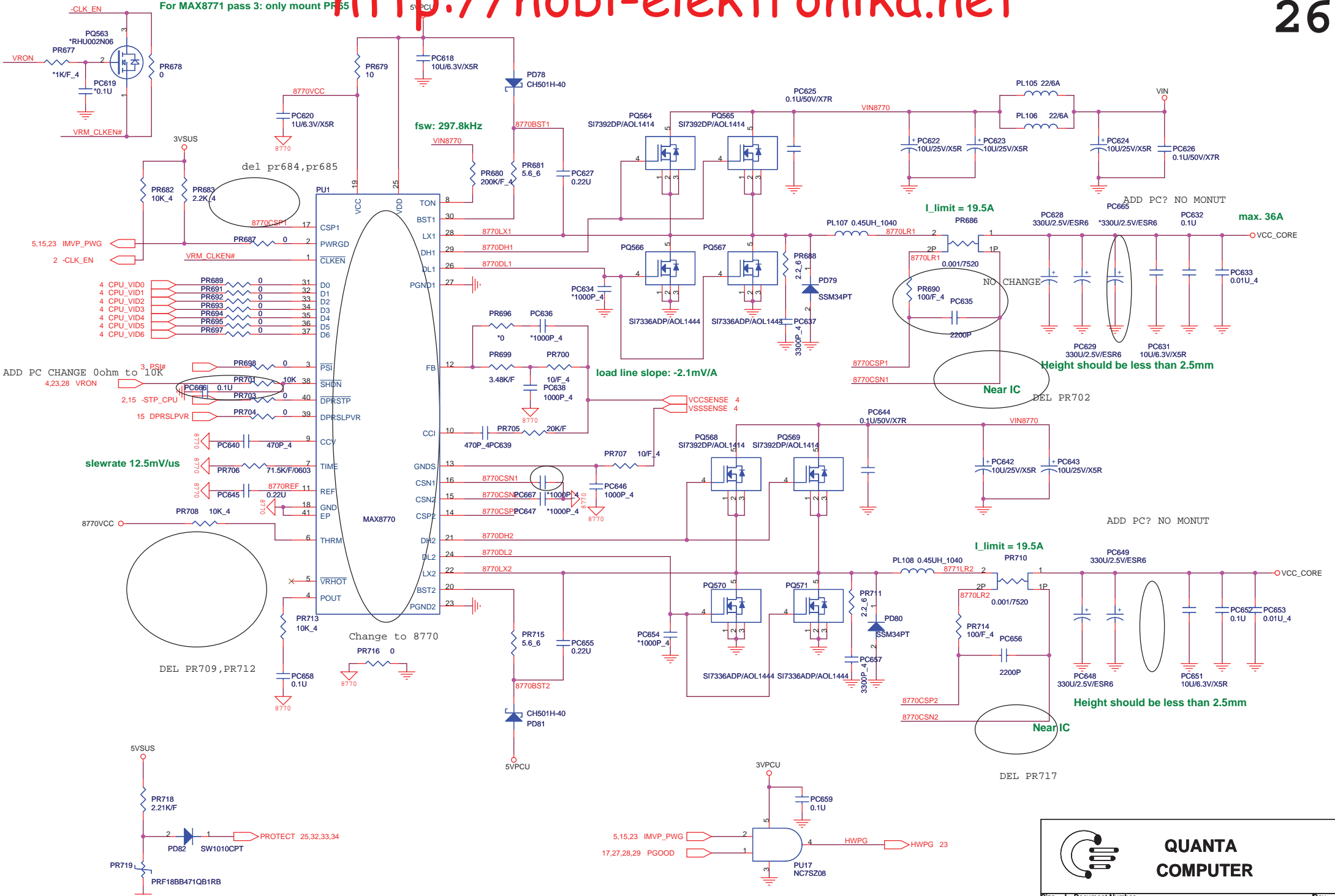
1. This part should not contain any substances which are specified in SS-00259-1
 2. Purchase ink, paint, wire rods and molding resins only from the business partners that Sony approves as Green Partners.

QUANTA COMPUTER

Title: **Docking**

Size	Document Number	Rev
	RD2 Main Board	1A
Date:	Monday, April 10, 2006	Sheet 25 of 35

For MAX8771 pass 2: mount PR64, PR65, PR69
For MAX8771 pass 3: only mount PR65



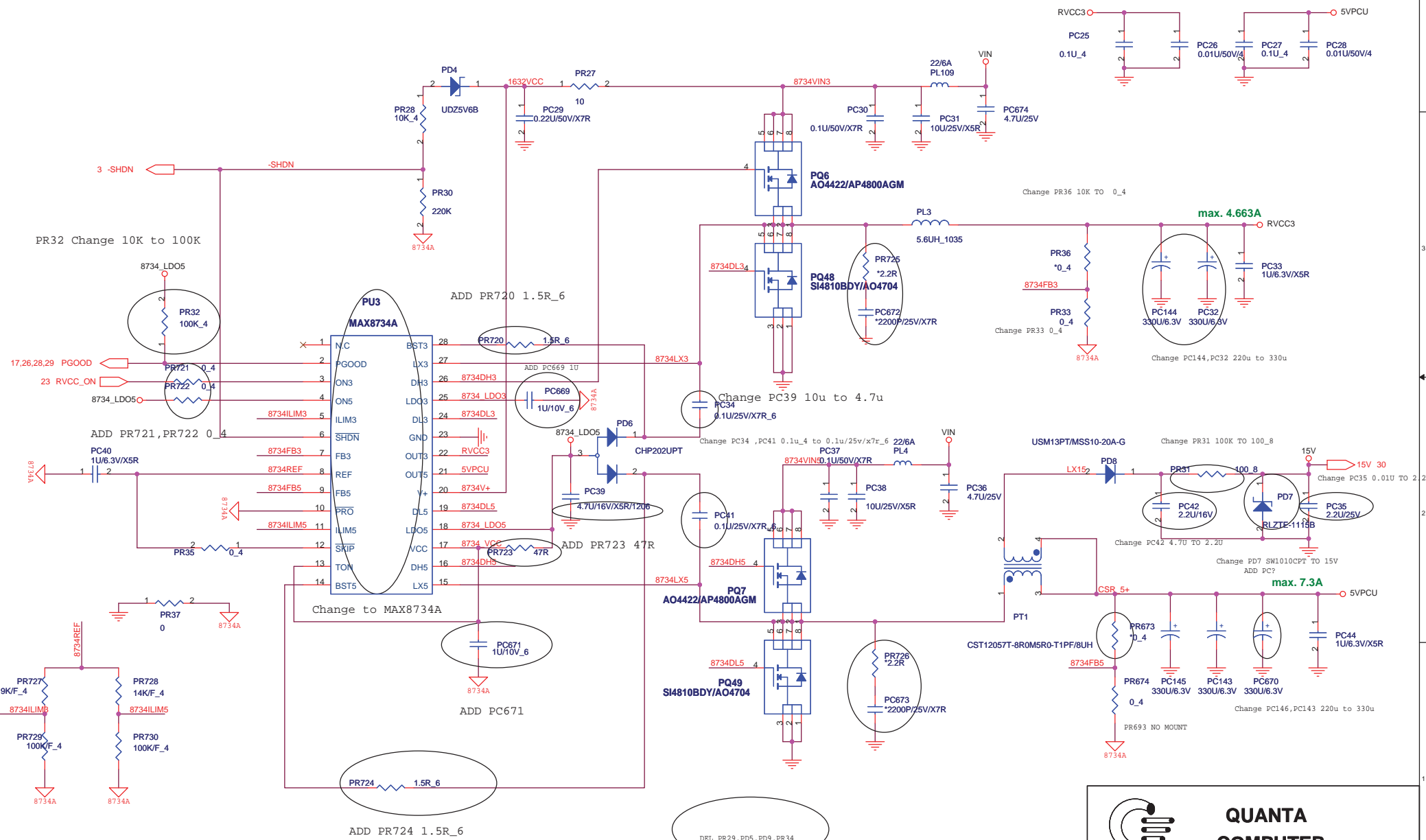
QUANTA COMPUTER


RD2 Main Board

Rev 1A

Size: Document Number: Date: Monday, May 08, 2006 Sheet 26 of 35

1. This part should not contain any substances which are specified in SS-00259-1
 2. Purchase ink, paint, wire rods and molding resins only from the business partners that Sony approves as Green Partners.

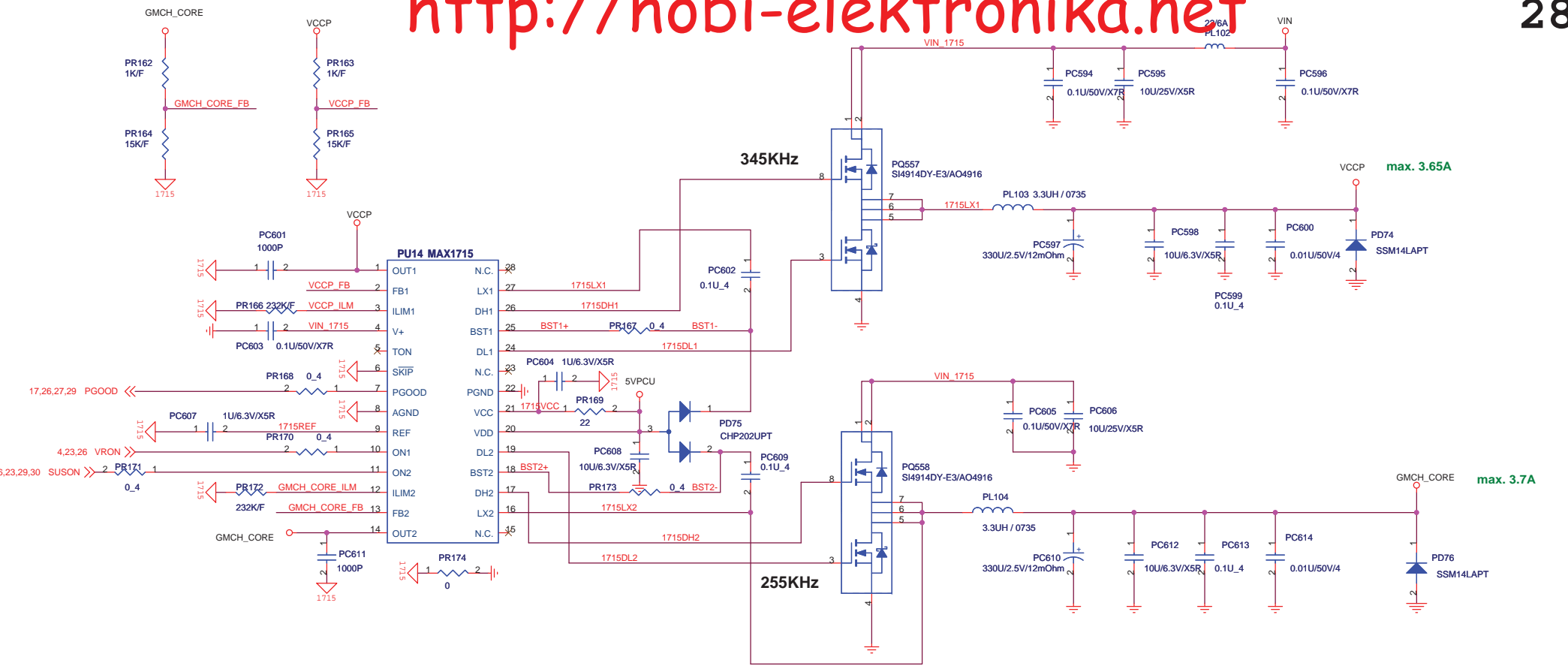





**QUANTA
COMPUTER**

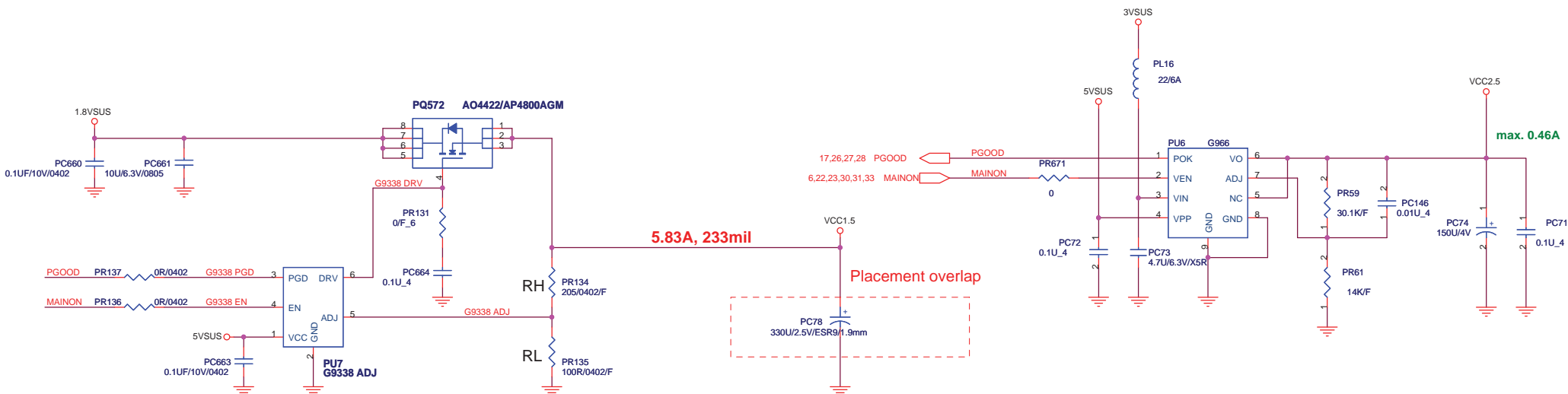
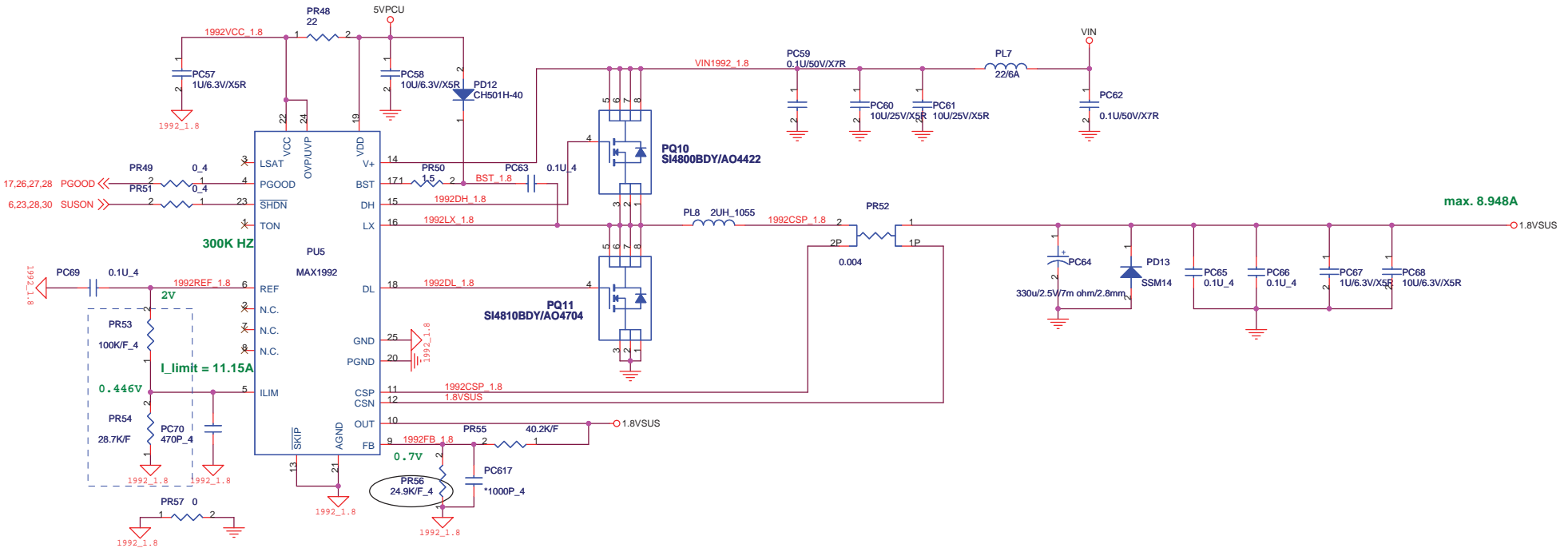
Size	Document Number	RD2 Main Board	Rev 1A
Date: Monday, May 08, 2006		Sheet	27 of 35

1. This part should not contain any substances which are specified in SS-00259-1
 2. Purchase ink, paint, wire rods and molding resins only from the business partners that Sony approves as Green Partners.




1.This part should not contain any substances which are specified in SS-00259-1
 2.Purchase ink, paint, wire rods and molding resins only from the business partners that Sony approves as Green Partners.

		QUANTA COMPUTER		
		Size	Document Number	Rev
		RD2 Main Board		1A
Date:		Friday, May 05, 2006	Sheet	28 of 35



$VCC1.5 = (1 + RH/RL) * 0.5$

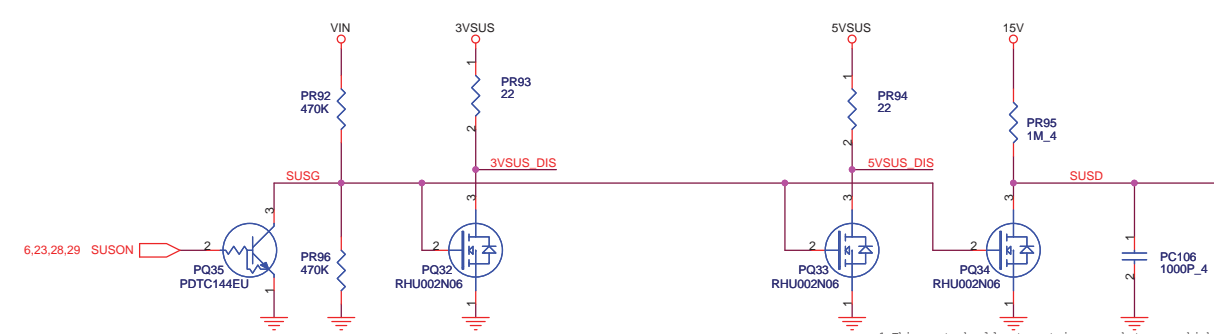
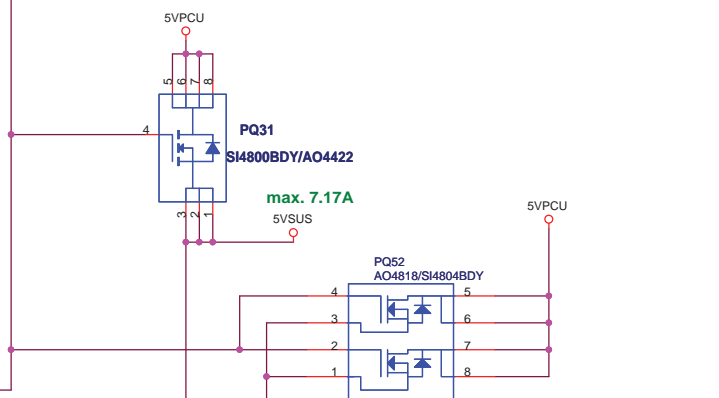
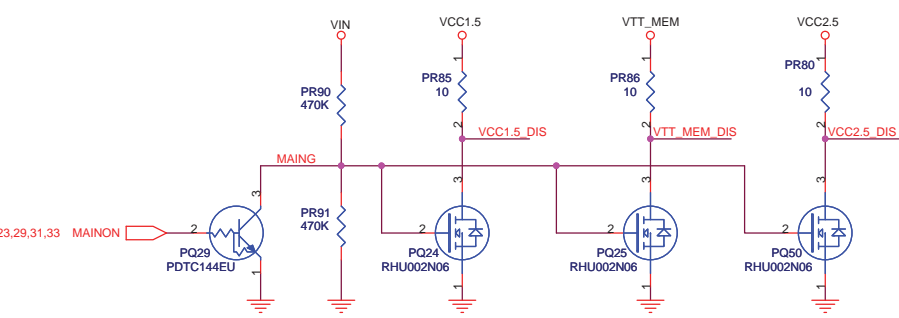
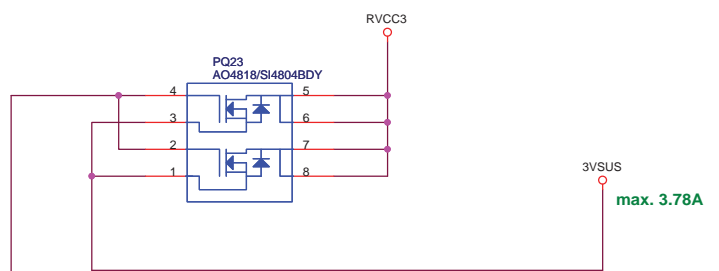
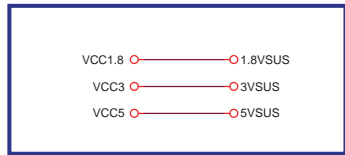
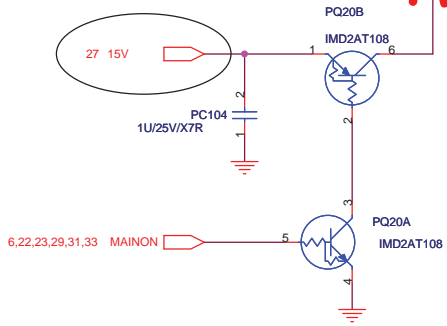
Placement overlap



**QUANTA
COMPUTER**

Size	Document Number	Rev
	RD2 Main Board	1A
Date:	Friday, May 05, 2006	Sheet 29 of 36

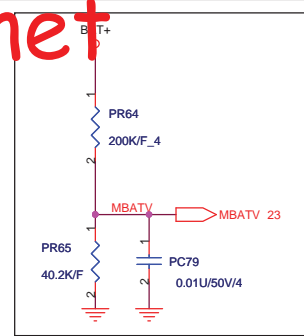
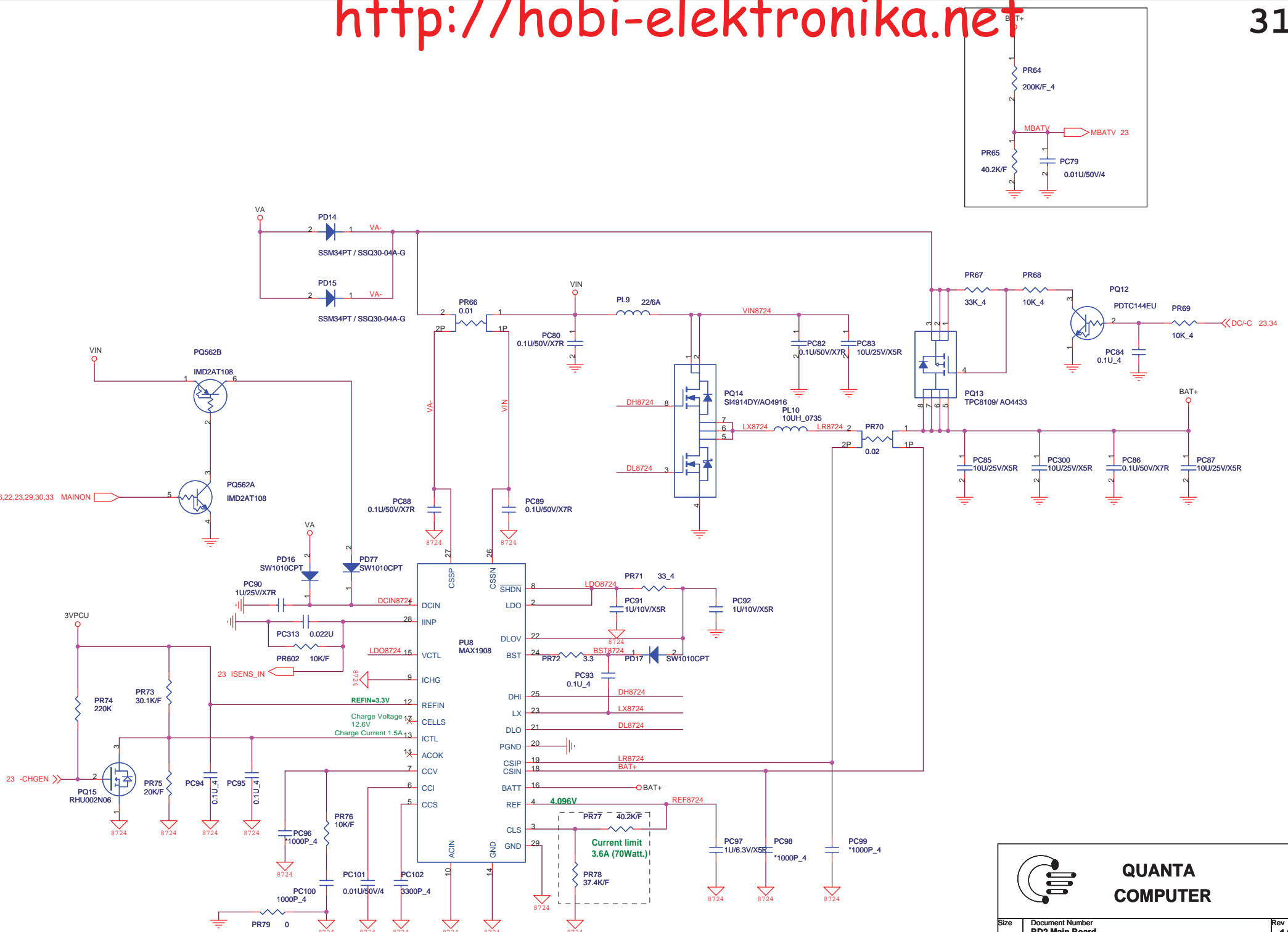
1. This part should not contain any substances which are specified in SS-00259-1
 2. Purchase ink, paint, wire rods and molding resins only from the business partners that Sony approves as Green Partners.



**QUANTA
COMPUTER**

Size	Document Number	RD2 Main Board	Rev
			1A
Date:	Friday, May 05, 2006	Sheet	30 of 35

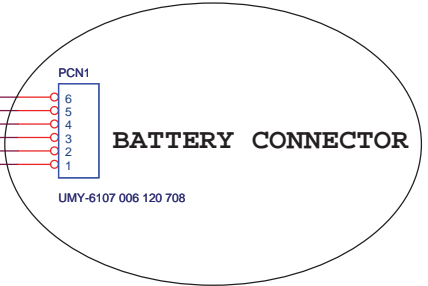
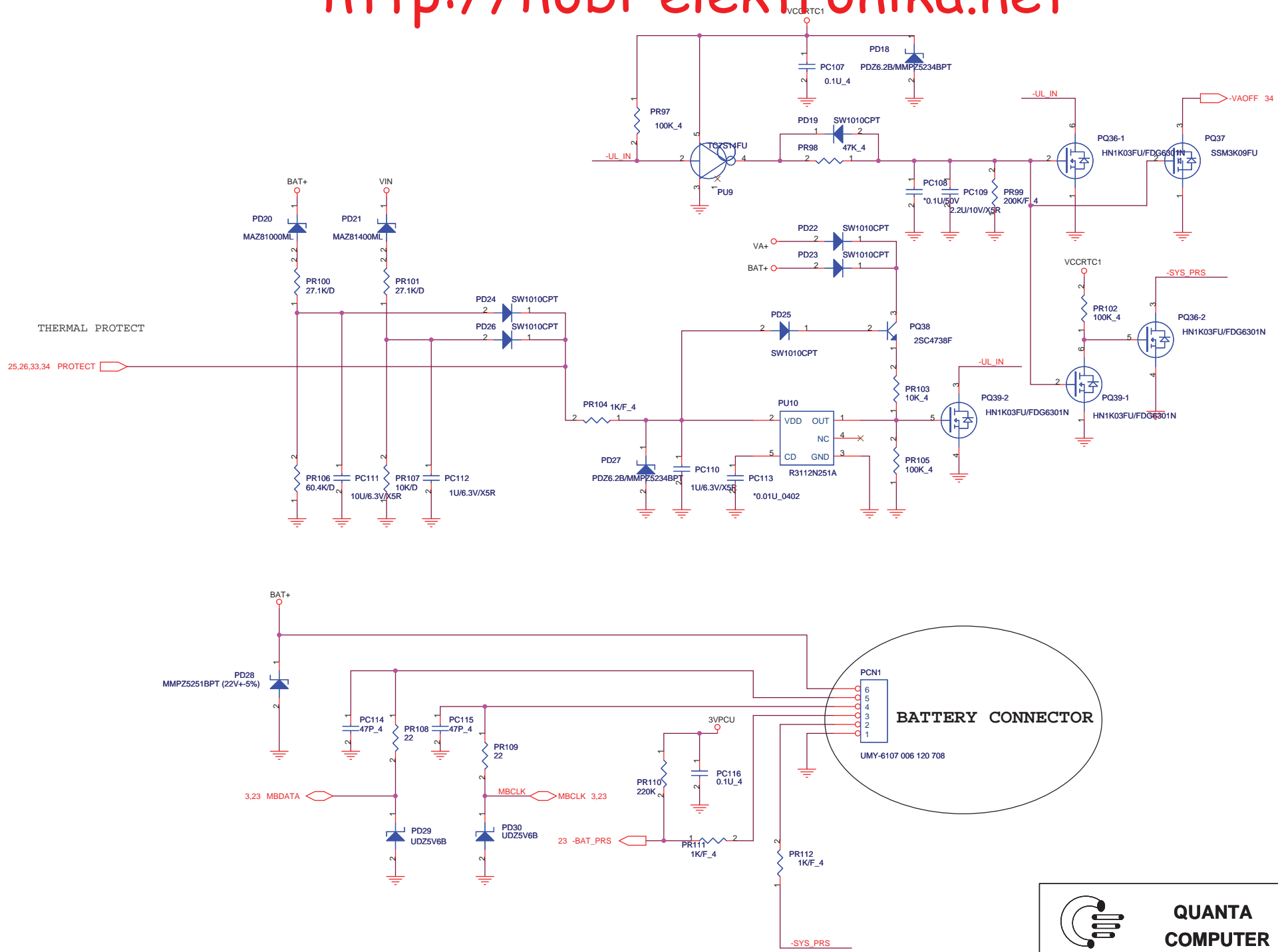
1. This part should not contain any substances which are specified in SS-00259-1
 2. Purchase ink, paint, wire rods and molding resins only from the business partners that Sony approves as Green Partners.



**QUANTA
COMPUTER**

Size	Document Number RD2 Main Board	Rev 1A
Date: Friday, May 05, 2006		Sheet 31 of 35

1. This part should not contain any substances which are specified in SS-00259-1
 2. Purchase ink, paint, wire rods and molding resins only from the business partners that Sony approves as Green Partners.



QUANTA COMPUTER

Size	Document Number	Rev
	RD2 Main Board	1A
Date:	Friday, May 05, 2006	Sheet 32 of 35

1. This part should not contain any substances which are specified in SS-00259-1
 2. Purchase ink, paint, wire rods and molding resins only from the business partners that Sony approves as Green Partners.

