

Compal Confidential

Couger-Brazos

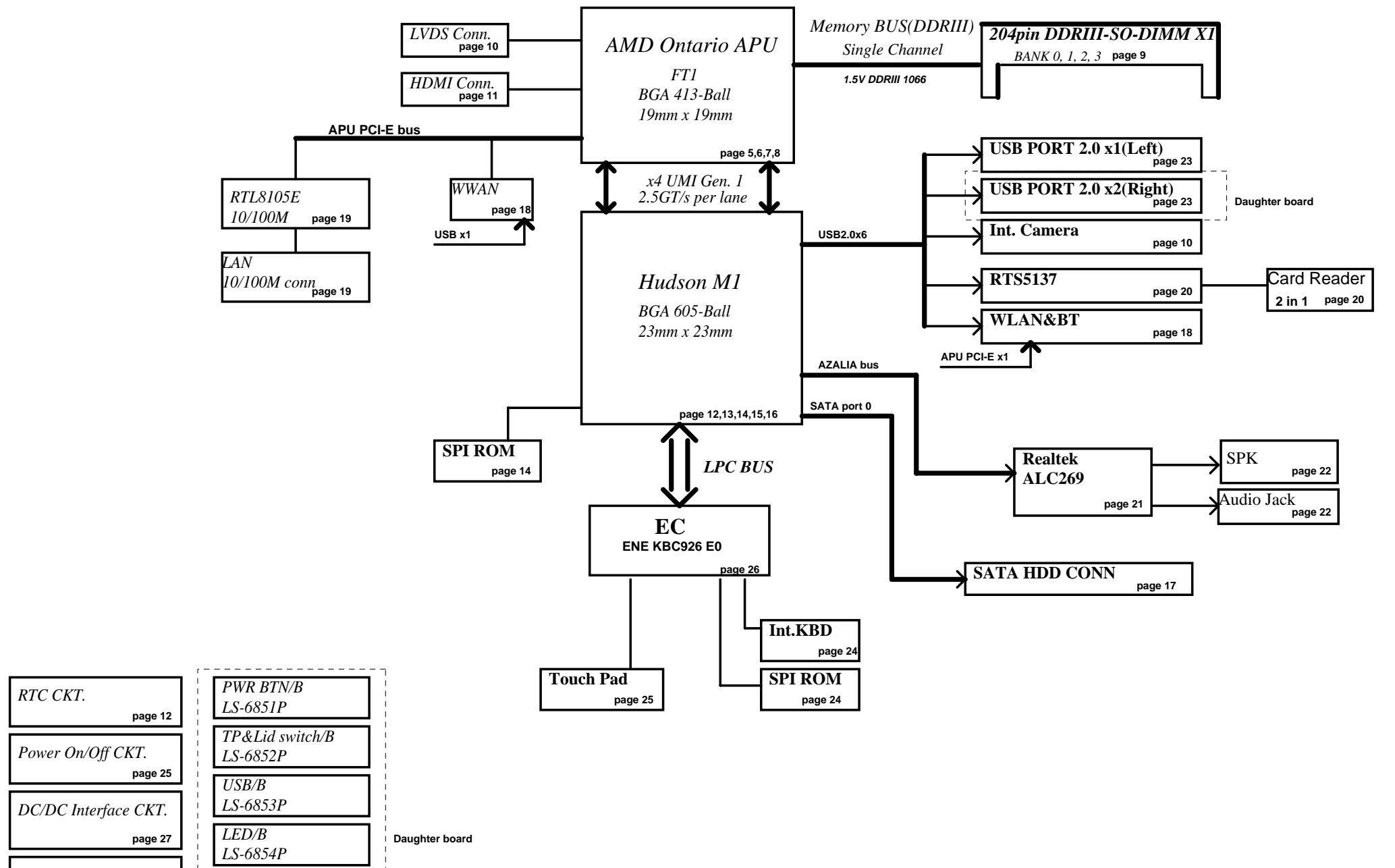
PBU01 LA-6852P Schematics Document

AMD APU Ontario-FT1 + FCH Hudson-M1

2012-2-20

REV:1.A

Security Classification	Compal Secret Data			Compal Electronics, Inc.	
Issued Date	2008/10/06	Deciphered Date	2009/10/06	Title	SCEMTIC A6852
THIS SHEET OF ENGINEERING DRAWING IS THE PROPRIETARY PROPERTY OF COMPAL ELECTRONICS, INC. AND CONTAINS CONFIDENTIAL AND TRADE SECRET INFORMATION. THIS SHEET MAY NOT BE TRANSFERRED FROM THE CUSTODY OF THE COMPETENT DIVISION OF R&D DEPARTMENT EXCEPT AS AUTHORIZED BY COMPAL ELECTRONICS, INC. NEITHER THIS SHEET NOR THE INFORMATION IT CONTAINS MAY BE USED BY OR DISCLOSED TO ANY THIRD PARTY WITHOUT PRIOR WRITTEN CONSENT OF COMPAL ELECTRONICS, INC.				Document Number	Rev D
				Date:	Monday, February 20, 2012
				Sheet	1 of 37



RTC CKT. page 12

Power On/Off CKT. page 25

DC/DC Interface CKT. page 27

Power Circuit DC/DC page 30 31 32 33 34 35 36 37

PWR BTN/B LS-6851P

TP&Lid switch/B LS-6852P

USB/B LS-6853P

LED/B LS-6854P

Daughter board

Security Classification	Compal Secret Data		Compal Electronics, Inc.	
Issued Date	2008/10/06	Deciphered Date	2009/10/06	Title
THIS SHEET OF ENGINEERING DRAWING IS THE PROPRIETARY PROPERTY OF COMPAL ELECTRONICS, INC. AND CONTAINS CONFIDENTIAL AND TRADE SECRET INFORMATION. THIS SHEET MAY NOT BE TRANSFERRED FROM THE CUSTODY OF THE COMPETENT DIVISION OF R&D DEPARTMENT EXCEPT AS AUTHORIZED BY COMPAL ELECTRONICS, INC. NEITHER THIS SHEET NOR THE INFORMATION IT CONTAINS MAY BE USED BY OR DISCLOSED TO ANY THIRD PARTY WITHOUT PRIOR WRITTEN CONSENT OF COMPAL ELECTRONICS, INC.				Document Number
				401990
Date: Monday, February 20, 2012				Rev D
Sheet 2 of 37				

Voltage Rails

○ MEANS ON X MEANS OFF

power plane State	B+ +3VL +5VL +RTCVCC	+5VALW +3VALW +1.1VALW	+1.5V	+5VS +3VS +1.8VS +1.5VS +1.1VS +1.0VS +0.75VS +APU_CORE +APU_VDDNB
	S0	○	○	○
S1	○	○	○	○
S3	○	○	○	X
S5 S4/AC	○	○	X	X
S5 S4/ Battery only	○	X	X	X
S5 S4/AC & Battery don't exist	X	X	X	X

Symbol Note :



: means Digital Ground



: means Analog Ground

@ : means just reserve , no build

DAZ P/N

ZZZ1



LA-6852P

1.2G APU P/N

U1



1.2G APU R3

1G2R3@

1.2G APU P/N

U1



1.2G APU R1

1G2R1@

1G APU P/N

U1



1G APU R1

1GR1@

BTO (Build-To-Order) Option Table

Function	Sleep&Charger		Sleep&Music			
	Support	No Support	Support	No Support		
BTO	CHG@	non-CHG@	ALC269@	ALC259@		

FCH SM Bus0 Address				FCH SM Bus1 Address			
Power	Device	HEX	Address	Power	Device	HEX	Address
+3VS	DDR SO-DIMM 0	A0 H	1010 0000 b				

EC SM Bus1 Address				EC SM Bus2 Address			
Power	Device	HEX	Address	Power	Device	HEX	Address
+3VL	Smart Battery	16 H	0001 011X b				

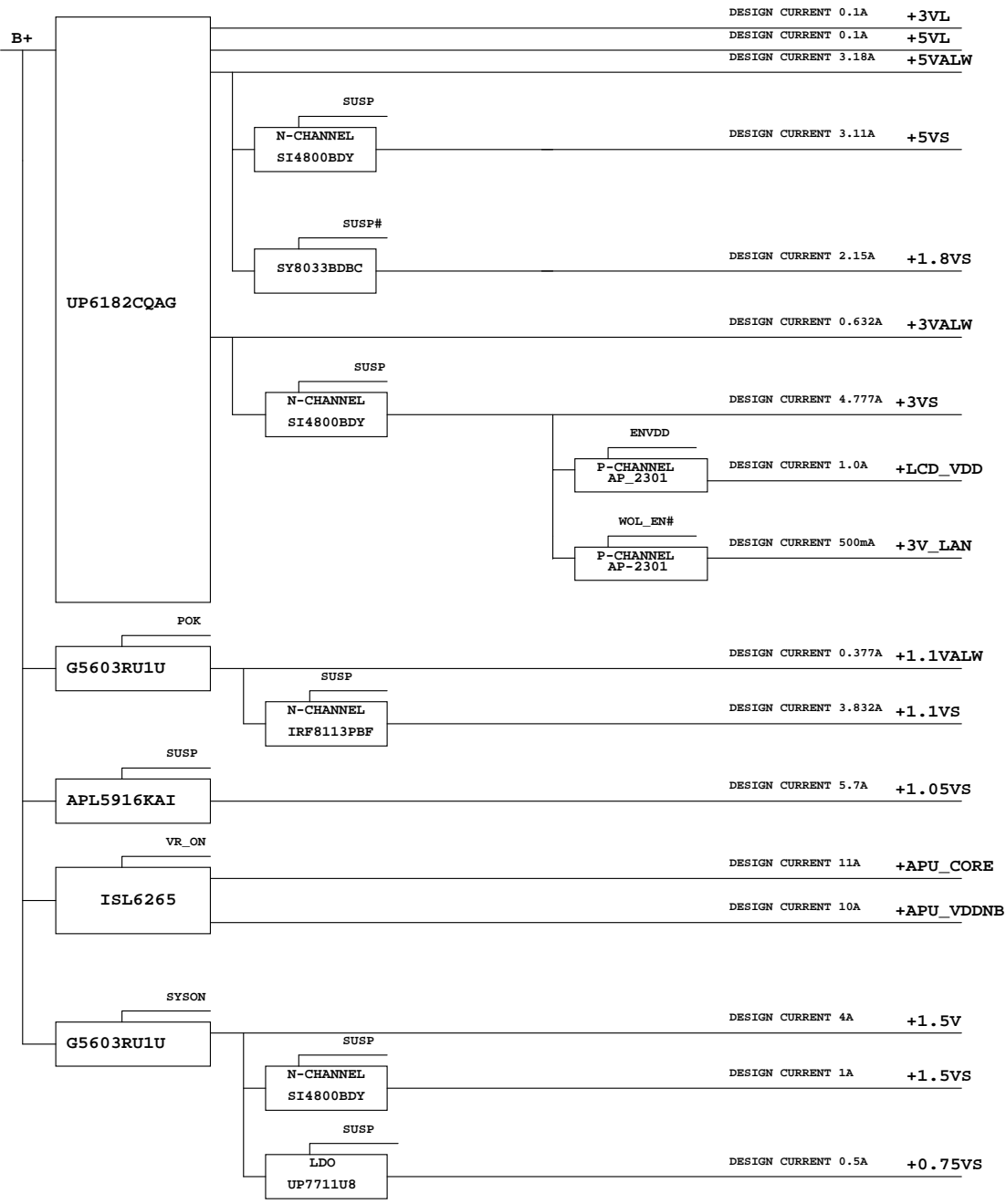
SMBUS Control Table

	SOURCE	BATT	CPU THERMAL SENSOR	SODIMM 0	CLK GEN	WLAN WWAN	LCD DDC ROM	HDMI DDC ROM	APU
EC_SMB_CK1 EC_SMB_DA1	KB926	V							
EC_SMB_CK2 EC_SMB_DA2	KB926								V
LCD_EDID_CLK LCD_EDID_DATA	APU FT1						V		
HDMICLK HDMIDAT	APU FT1							V	
FCH_SMCLK0 FCH_SMDAT0	FCH M1			V					
FCH_SMCLK1 FCH_SMDAT1	FCH M1					V			

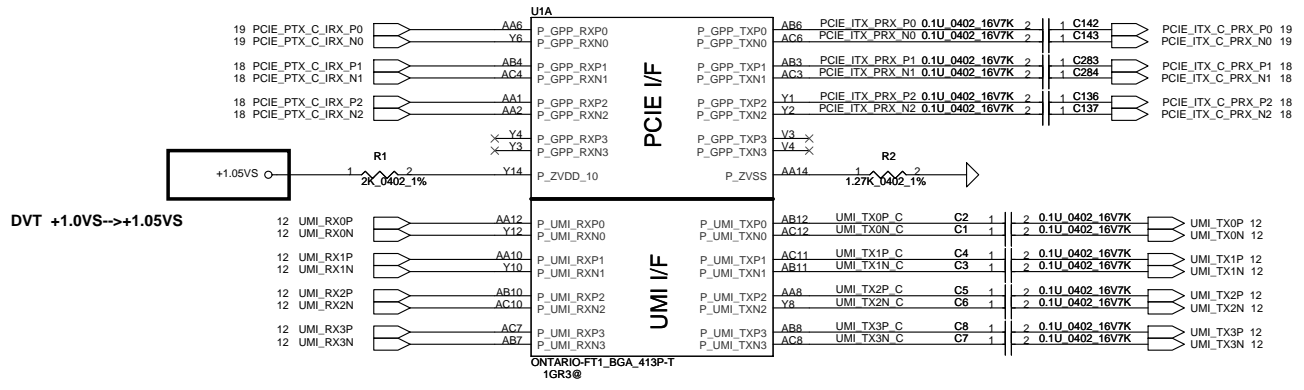


08/05 update pin define

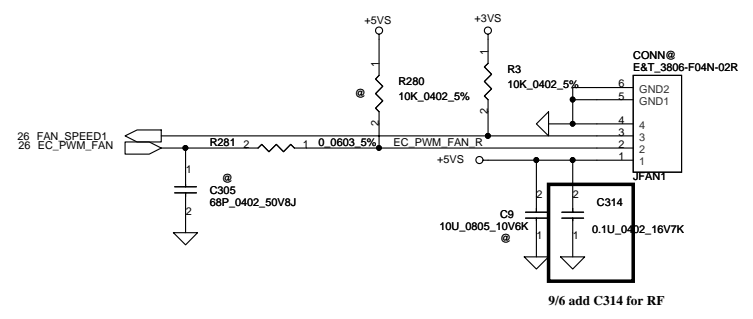
Security Classification	Compal Secret Data			Compal Electronics, Inc.		
Issued Date	2008/10/06	Deciphered Date	2009/10/06	Title	SCHEMATIC A6852	
THIS SHEET OF ENGINEERING DRAWING IS THE PROPRIETARY PROPERTY OF COMPAL ELECTRONICS, INC. AND CONTAINS CONFIDENTIAL AND TRADE SECRET INFORMATION. THIS SHEET MAY NOT BE TRANSFERRED FROM THE CUSTODY OF THE COMPETENT DIVISION OF R&D DEPARTMENT EXCEPT AS AUTHORIZED BY COMPAL ELECTRONICS, INC. NEITHER THIS SHEET NOR THE INFORMATION IT CONTAINS MAY BE USED BY OR DISCLOSED TO ANY THIRD PARTY WITHOUT PRIOR WRITTEN CONSENT OF COMPAL ELECTRONICS, INC.				Document Number	401990	Rev D
				Date:	Monday, February 20, 2012	Sheet 3 of 37



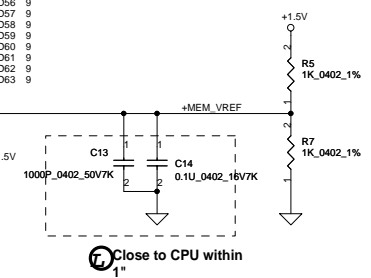
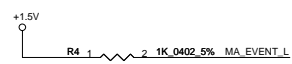
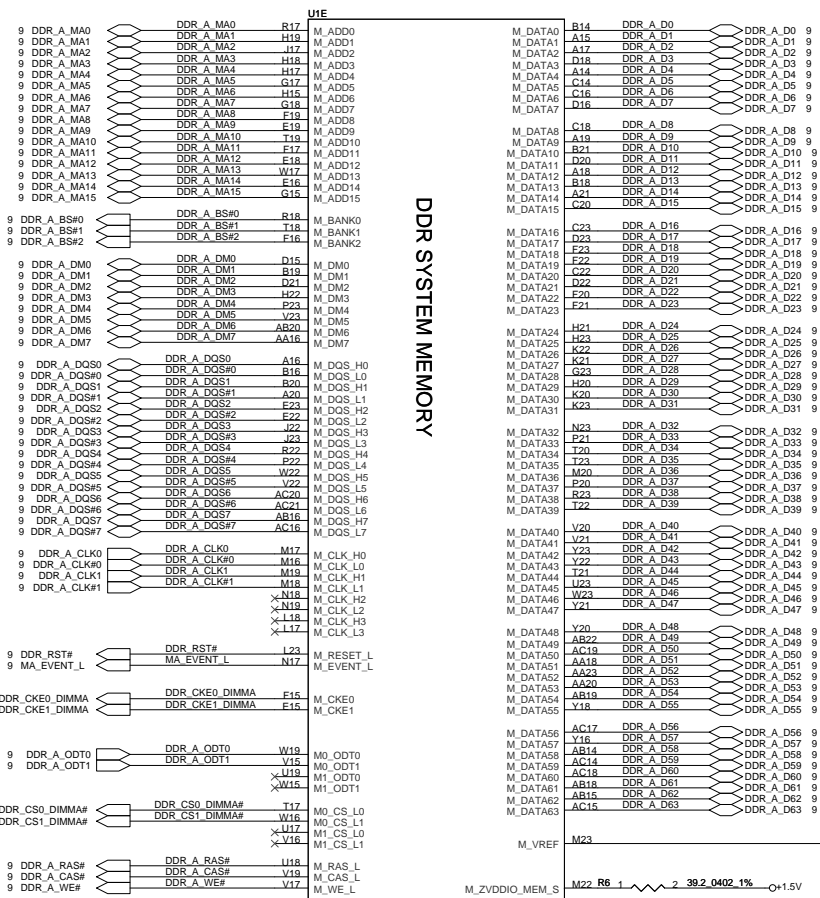
Security Classification	Compal Secret Data			Compal Electronics, Inc. SCHEMATIC A6852	
Issued Date	2008/10/31	Deciphered Date	2009/10/31		
<small>THIS SHEET OF ENGINEERING DRAWING IS THE PROPRIETARY PROPERTY OF COMPAL ELECTRONICS, INC. AND CONTAINS CONFIDENTIAL AND TRADE SECRET INFORMATION. THIS SHEET MAY NOT BE TRANSFERRED FROM THE CUSTODY OF THE COMPETENT DIVISION OF RESEARCH AND DEVELOPMENT DEPARTMENT EXCEPT AS AUTHORIZED BY COMPAL ELECTRONICS, INC. NEITHER THIS SHEET NOR THE INFORMATION IT CONTAINS MAY BE USED BY OR DISCLOSED TO ANY THIRD PARTY WITHOUT PRIOR WRITTEN CONSENT OF COMPAL ELECTRONICS, INC.</small>				Title SCHEMATIC A6852	Document Number 401990
				Date: Monday, February 20, 2012	Rev D Sheet 4 of 37



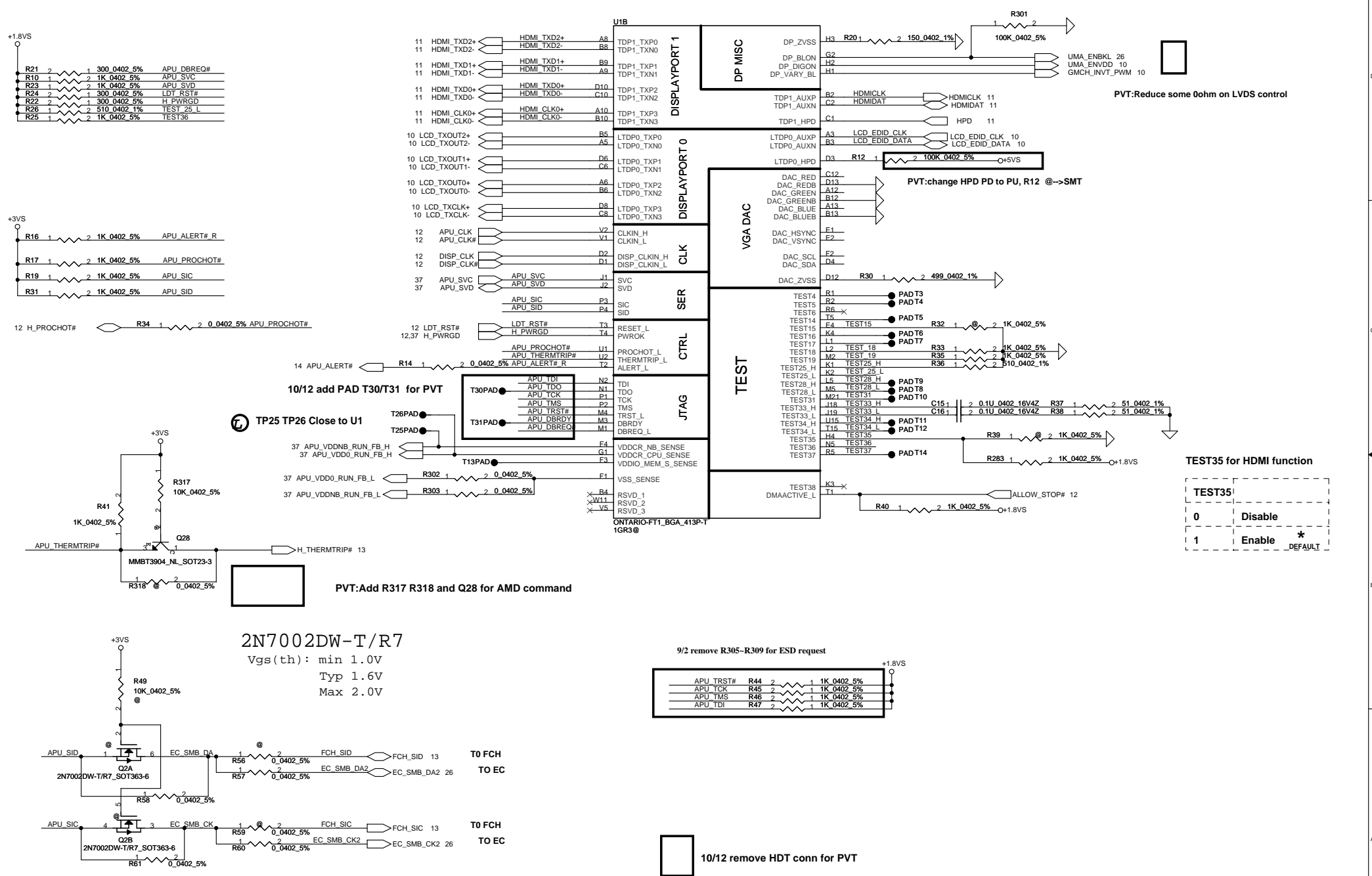
LAN
WWAN
WLAN



Security Classification	Compal Secret Data			Title	
Issued Date	2008/04/14	Deciphered Date	2009/04/14	Compal Electronics, Inc.	
THIS SHEET OF ENGINEERING DRAWING IS THE PROPRIETARY PROPERTY OF COMPAL ELECTRONICS, INC. AND CONTAINS CONFIDENTIAL AND TRADE SECRET INFORMATION. THIS SHEET MAY NOT BE TRANSFERRED FROM THE CUSTODY OF THE COMPETENT DIVISION OF R&D DEPARTMENT EXCEPT AS AUTHORIZED BY COMPAL ELECTRONICS, INC. NEITHER THIS SHEET NOR THE INFORMATION IT CONTAINS MAY BE USED BY OR DISCLOSED TO ANY THIRD PARTY WITHOUT PRIOR WRITTEN CONSENT OF COMPAL ELECTRONICS, INC.				Document Number	Rev
				401990	D
				Date: Monday, February 20, 2012	Sheet 5 of 37



Security Classification		Compal Secret Data		Title	
Issued Date	2010/02/10	Deciphered Date	2011/02/10	Compal Electronics, Inc.	
<small>THIS SHEET OF ENGINEERING DRAWING IS THE PROPRIETARY PROPERTY OF COMPAL ELECTRONICS, INC. AND CONTAINS CONFIDENTIAL AND TRADE SECRET INFORMATION. THIS SHEET MAY NOT BE TRANSFERRED FROM THE CUSTODY OF THE COMPETENT DIVISION OF R&D DEPARTMENT EXCEPT AS AUTHORIZED BY COMPAL ELECTRONICS, INC. NEITHER THIS SHEET NOR THE INFORMATION IT CONTAINS MAY BE USED BY OR DISCLOSED TO ANY THIRD PARTY WITHOUT PRIOR WRITTEN CONSENT OF COMPAL ELECTRONICS, INC.</small>				Customer	Rev
Date: Monday, February 20, 2012				Sheet	6 of 37
Document Number				401990	

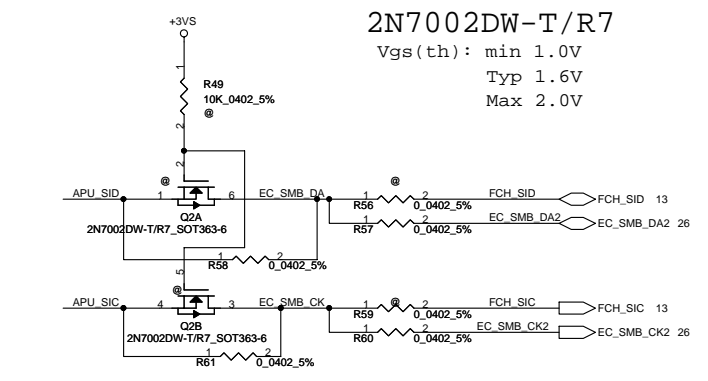
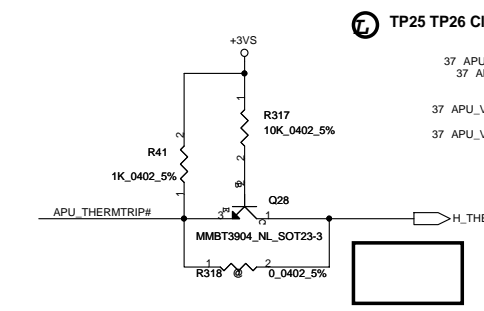


R21	2	1	300 0402 5%	APU DBREQ#
R10	1	2	1K 0402 5%	APU SVC
R23	1	2	1K 0402 5%	APU SVD
R24	2	1	300 0402 5%	LDT_RST#
R22	2	1	300 0402 5%	H_PWRGD
R26	1	2	510 0402 1%	TEST_25_L
R25	1	2	1K 0402 5%	TEST36

R16	1	2	1K 0402 5%	APU_ALERT#_R
R17	1	2	1K 0402 5%	APU_PROCHOT#
R19	1	2	1K 0402 5%	APU_SIC
R31	1	2	1K 0402 5%	APU_SID

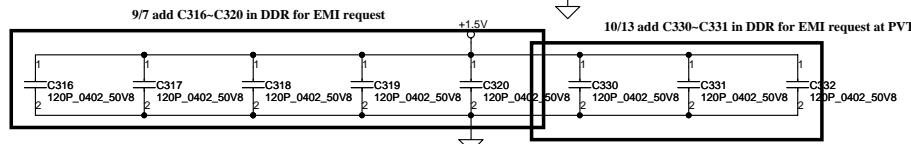
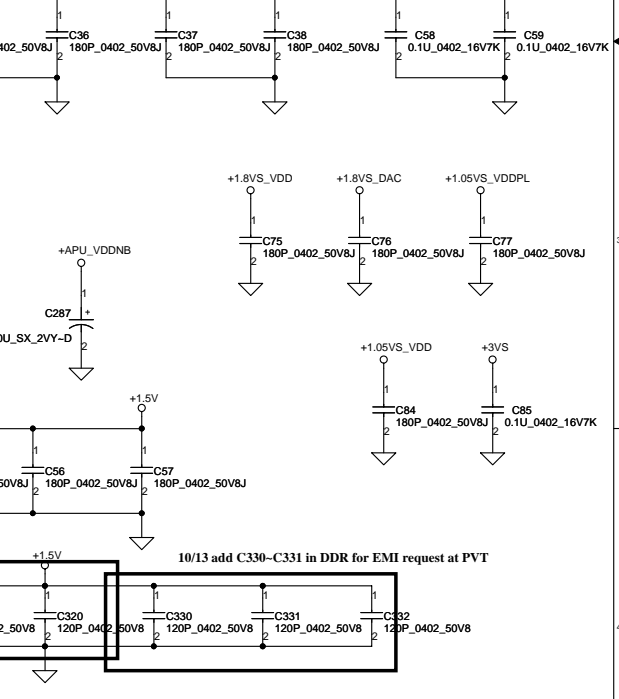
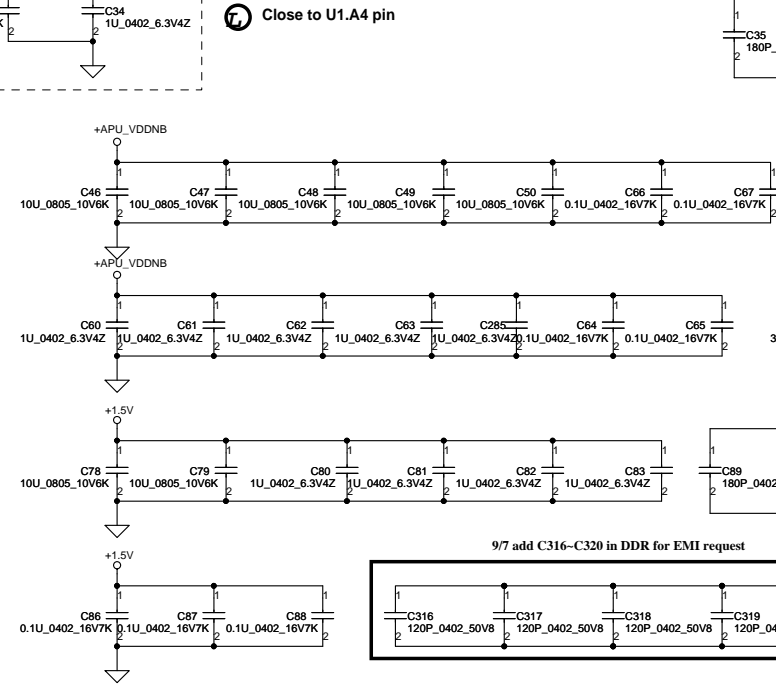
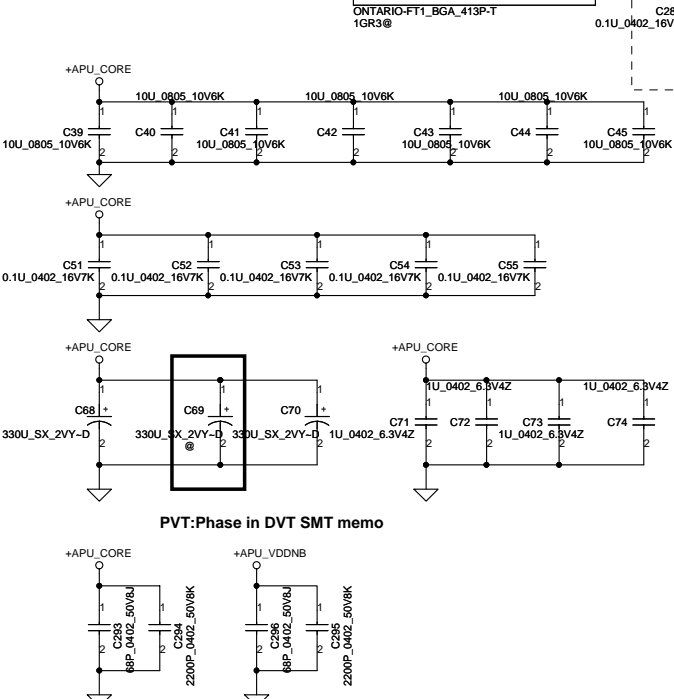
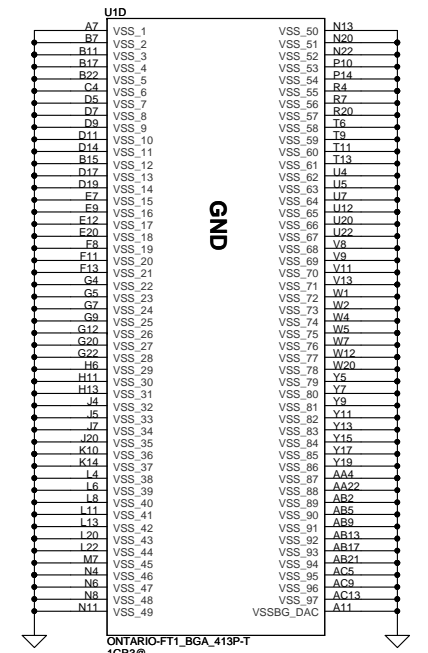
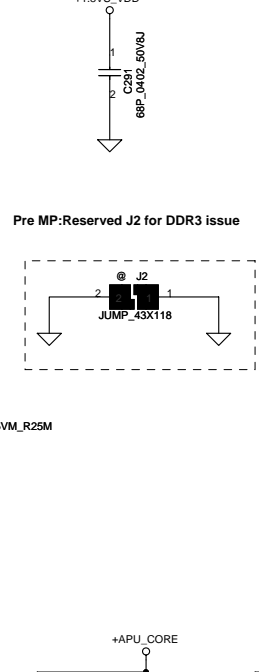
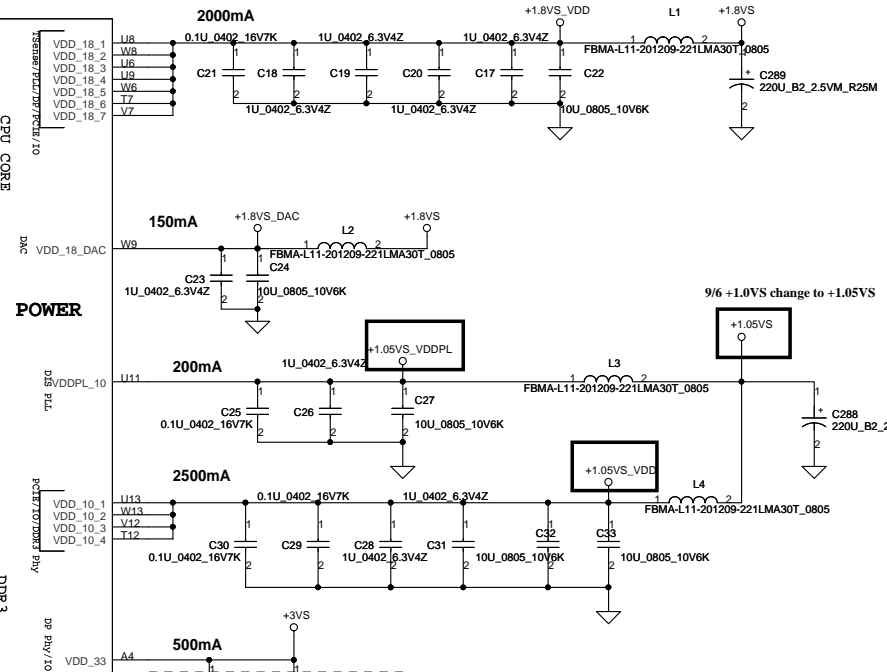
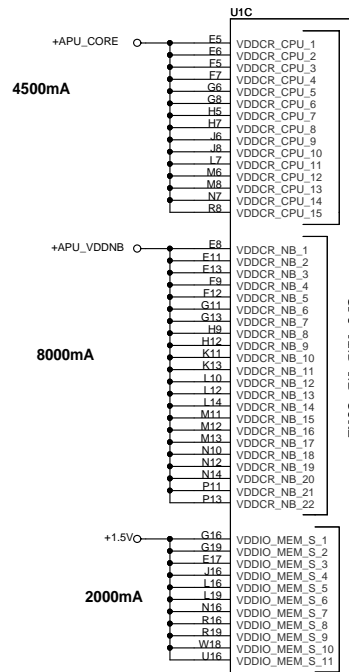
12 H_PROCHOT#	R34	1	2	0.0402 5%	APU_PROCHOT#
---------------	-----	---	---	-----------	--------------

12 LDT_RST#	R34	1	2	0.0402 5%	APU_PROCHOT#
12.37 H_PWRGD					
14 APU_ALERT#	R14	1	2	0.0402 5%	APU_ALERT#_R
10/12 add PAD T30/T31 for PVT					
APU_TDI	N2				
APU_TDO	N1				
APU_TCK	P1				
APU_TMS	P2				
APU_TRST#	M4				
APU_DBDRY	M3				
APU_DBREQ	M1				
APU_VDDNB_RUN_FB_H	F4				
APU_VDDNB_RUN_FB_L	F3				
APU_VDD0_RUN_FB_H	R302	1	2	0.0402 5%	
APU_VDD0_RUN_FB_L	R303	1	2	0.0402 5%	
APU_VDDNB_RUN_FB_L	R303	1	2	0.0402 5%	



Security Classification	Compal Secret Data	
Issued Date	2007/5/18	Deciphered Date
		2009/06/11
THIS SHEET OF ENGINEERING DRAWING IS THE PROPRIETARY PROPERTY OF COMPAL ELECTRONICS, INC. AND CONTAINS CONFIDENTIAL AND TRADE SECRET INFORMATION. THIS SHEET MAY NOT BE TRANSFERRED FROM THE CUSTODY OF THE COMPETENT DIVISION OF R&D DEPARTMENT EXCEPT AS AUTHORIZED BY COMPAL ELECTRONICS, INC. NEITHER THIS SHEET NOR THE INFORMATION IT CONTAINS MAY BE USED BY OR DISCLOSED TO ANY THIRD PARTY WITHOUT PRIOR WRITTEN CONSENT OF COMPAL ELECTRONICS, INC.		

Title		Schematic A6852	
Document Number		401990	
Date:	Monday, February 20, 2012	Sheet	7 of 37

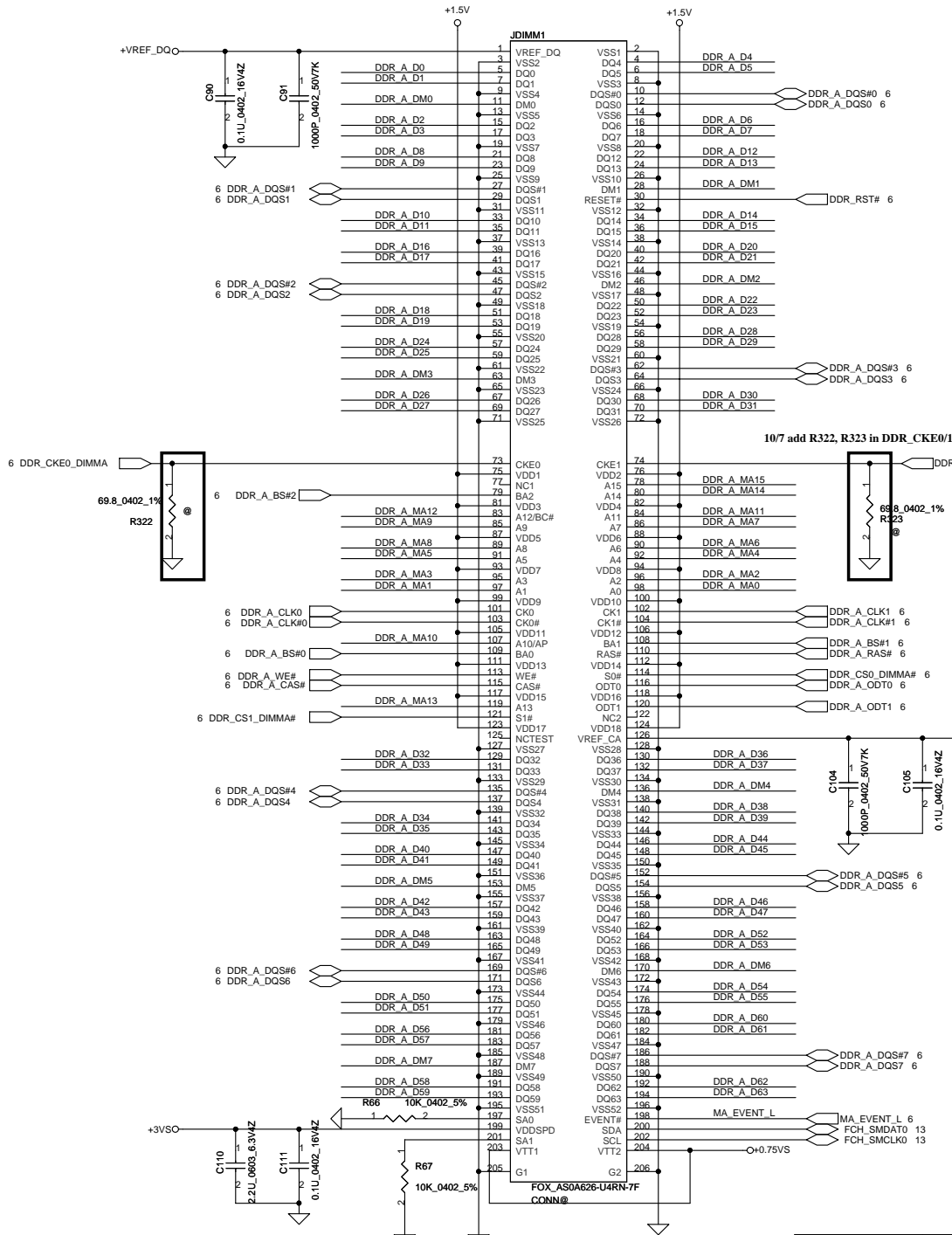


PVT:Phase in DVT SMT memo

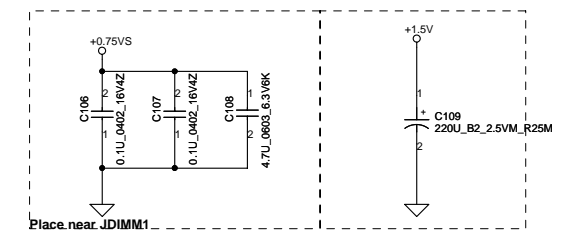
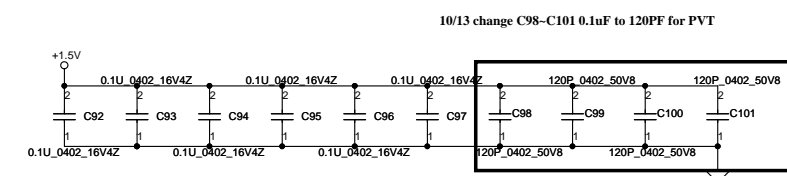
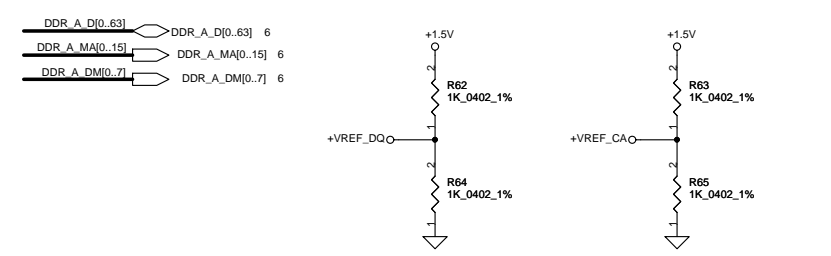
9/7 add C316-C320 in DDR for EMI request

10/13 add C330-C331 in DDR for EMI request at PVT

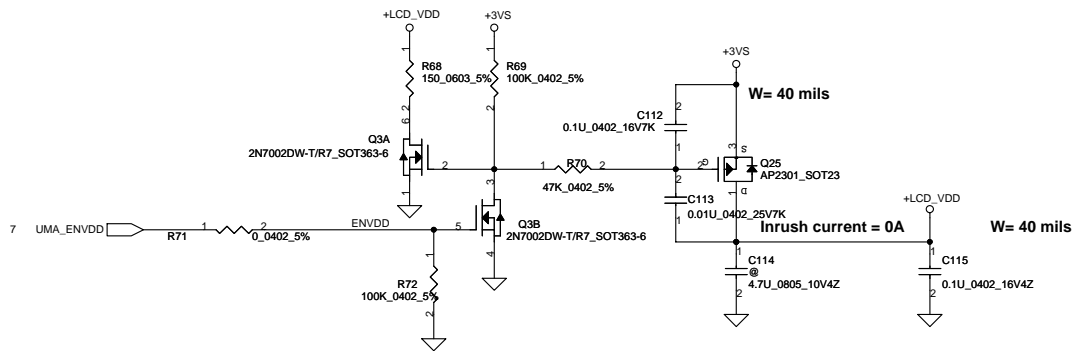
Security Classification	Compal Secret Data		Title	Compal Electronics, Inc.	
Issued Date	2008/04/14	Deciphered Date	2009/04/14	Document Number	
THIS SHEET OF ENGINEERING DRAWING IS THE PROPRIETARY PROPERTY OF COMPAL ELECTRONICS, INC. AND CONTAINS CONFIDENTIAL AND TRADE SECRET INFORMATION. THIS SHEET MAY NOT BE TRANSFERRED FROM THE CUSTODY OF THE COMPETENT DIVISION OF R&D DEPARTMENT EXCEPT AS AUTHORIZED BY COMPAL ELECTRONICS, INC. NEITHER THIS SHEET NOR THE INFORMATION IT CONTAINS MAY BE USED BY OR DISCLOSED TO ANY THIRD PARTY WITHOUT PRIOR WRITTEN CONSENT OF COMPAL ELECTRONICS, INC.			Customer	401990	
			Date:	Monday, February 20, 2012	Sheet 8 of 37



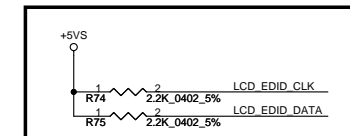
DIMM_A REV H:4mm
 <Address: A0>



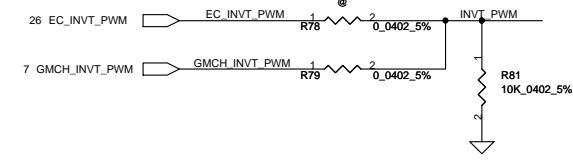
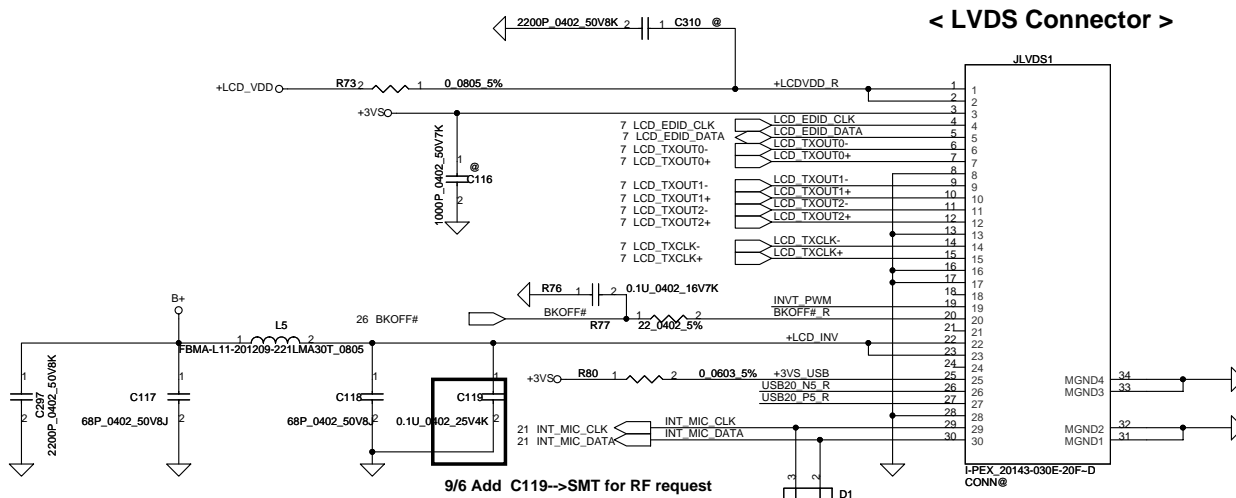
Security Classification	Compal Secret Data			Title	
Issued Date	2005/10/11	Deciphered Date	2009/06/11	Compal Electronics Inc	
THIS SHEET OF ENGINEERING DRAWING IS THE PROPRIETARY PROPERTY OF COMPAL ELECTRONICS, INC. AND CONTAINS CONFIDENTIAL AND TRADE SECRET INFORMATION. THIS SHEET MAY NOT BE TRANSFERRED FROM THE CUSTODY OF THE COMPETENT DIVISION OF R&D DEPARTMENT EXCEPT AS AUTHORIZED BY COMPAL ELECTRONICS, INC. NEITHER THIS SHEET NOR THE INFORMATION IT CONTAINS MAY BE USED BY OR DISCLOSED TO ANY THIRD PARTY WITHOUT PRIOR WRITTEN CONSENT OF COMPAL ELECTRONICS, INC.				Document Number	Rev D
				401990	
				Date: Monday, February 20, 2012	Sheet 9 of 37



R74, R75 change to 2.2K-->for PVT
+3VS change to +5VS



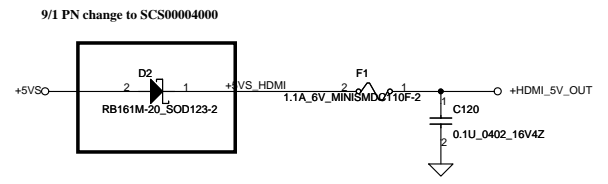
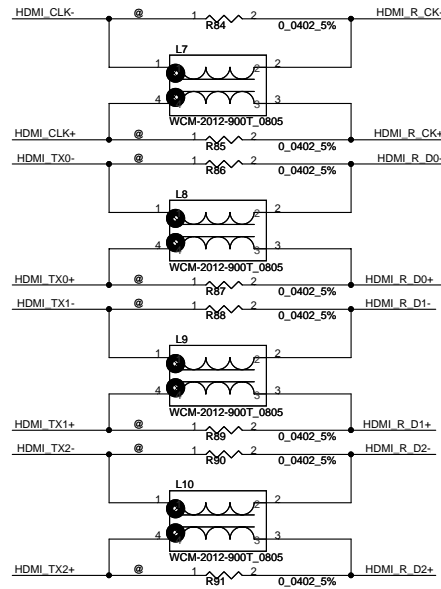
< LVDS Connector >



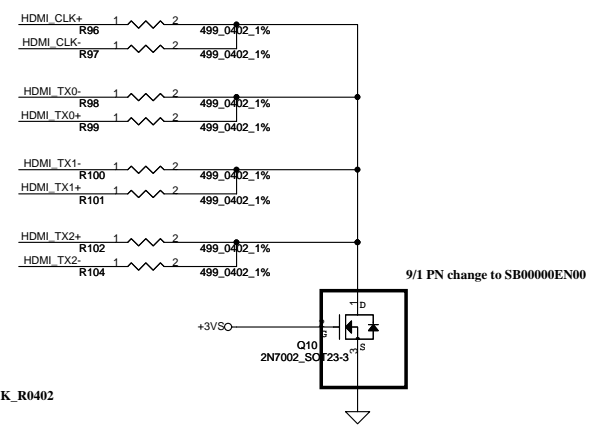
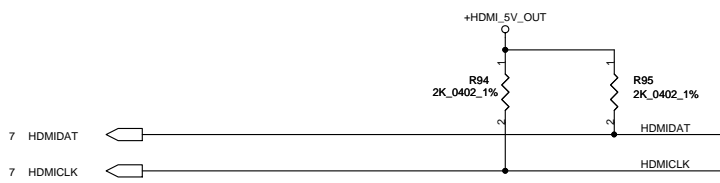
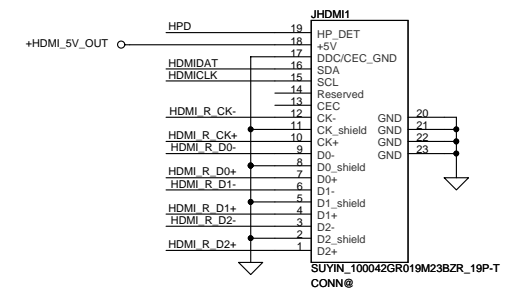
10/12 add C322--C329 for PVT RF request

LCD_TXOUT0-	C322	1	2	18P_0402_50V8J
LCD_TXOUT0+	C323	1	2	18P_0402_50V8J
LCD_TXOUT1-	C324	1	2	18P_0402_50V8J
LCD_TXOUT1+	C325	1	2	18P_0402_50V8J
LCD_TXOUT2-	C326	1	2	18P_0402_50V8J
LCD_TXOUT2+	C327	1	2	18P_0402_50V8J
LCD_TXCLK-	C328	1	2	18P_0402_50V8J
LCD_TXCLK+	C329	1	2	18P_0402_50V8J

7 HDMI_TXD0+	C124	1	2	0.1U_0402_16V7K	HDMI_TX0+
7 HDMI_TXD0-	C121	1	2	0.1U_0402_16V7K	HDMI_TX0-
7 HDMI_TXD1+	C125	1	2	0.1U_0402_16V7K	HDMI_TX1+
7 HDMI_TXD1-	C126	1	2	0.1U_0402_16V7K	HDMI_TX1-
7 HDMI_TXD2+	C122	1	2	0.1U_0402_16V7K	HDMI_TX2+
7 HDMI_TXD2-	C128	1	2	0.1U_0402_16V7K	HDMI_TX2-
7 HDMI_CLK0+	C127	1	2	0.1U_0402_16V7K	HDMI_CLK0+
7 HDMI_CLK0-	C123	1	2	0.1U_0402_16V7K	HDMI_CLK0-

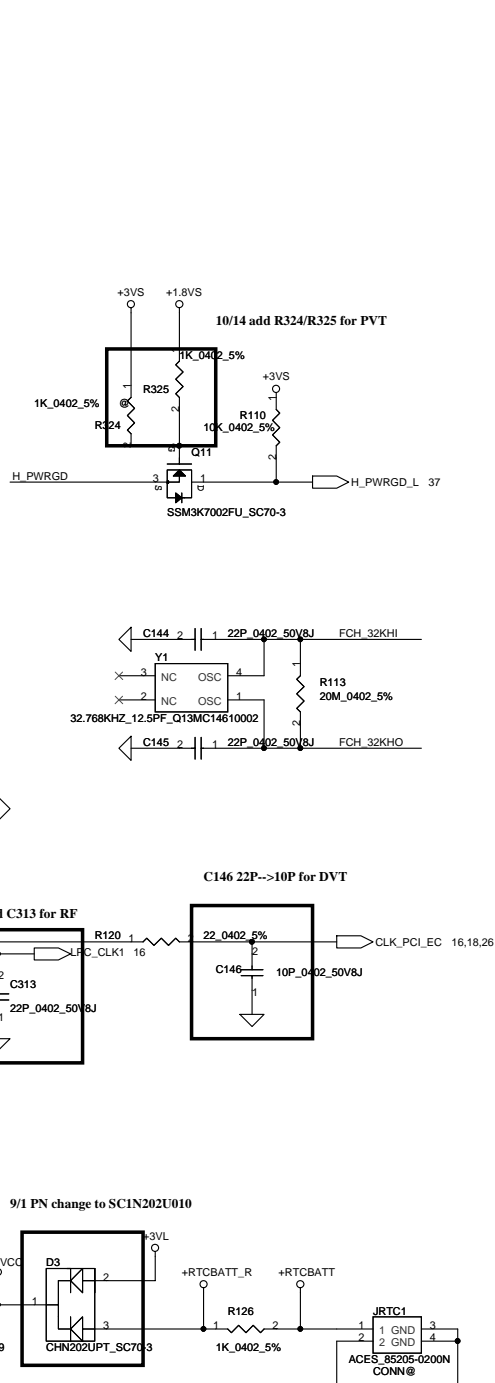
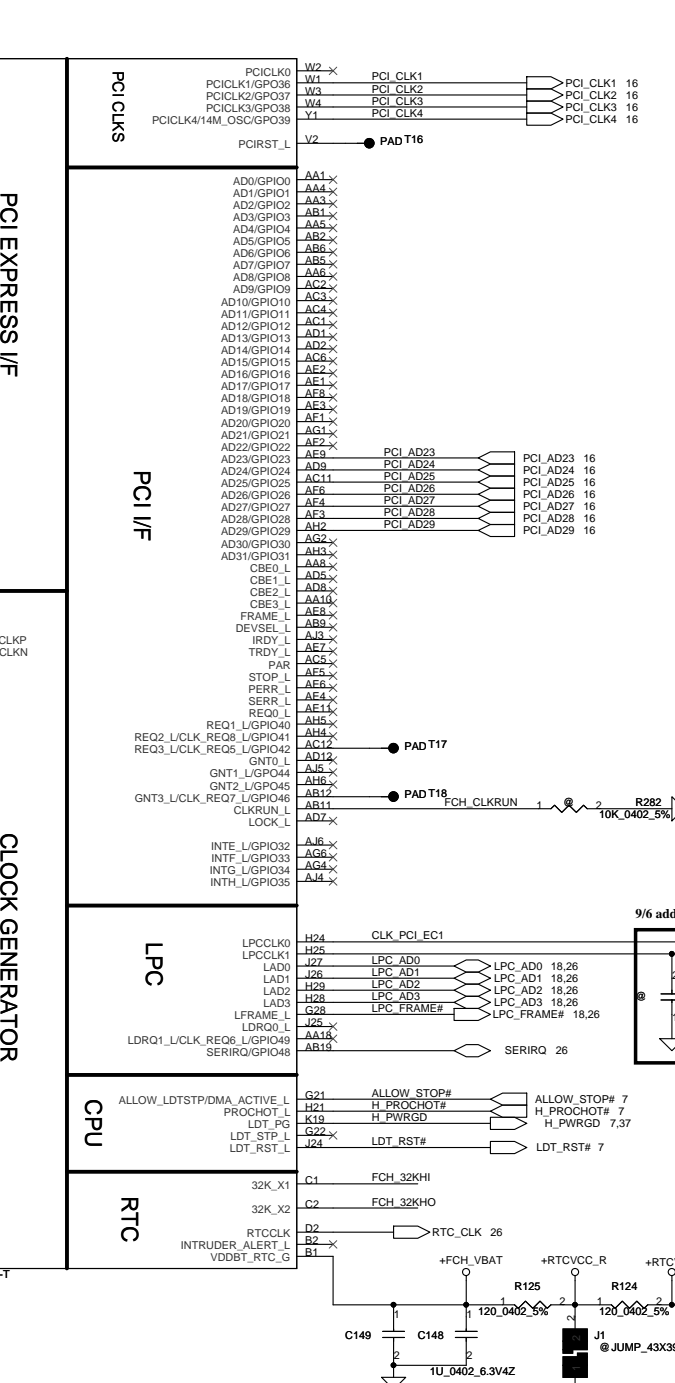
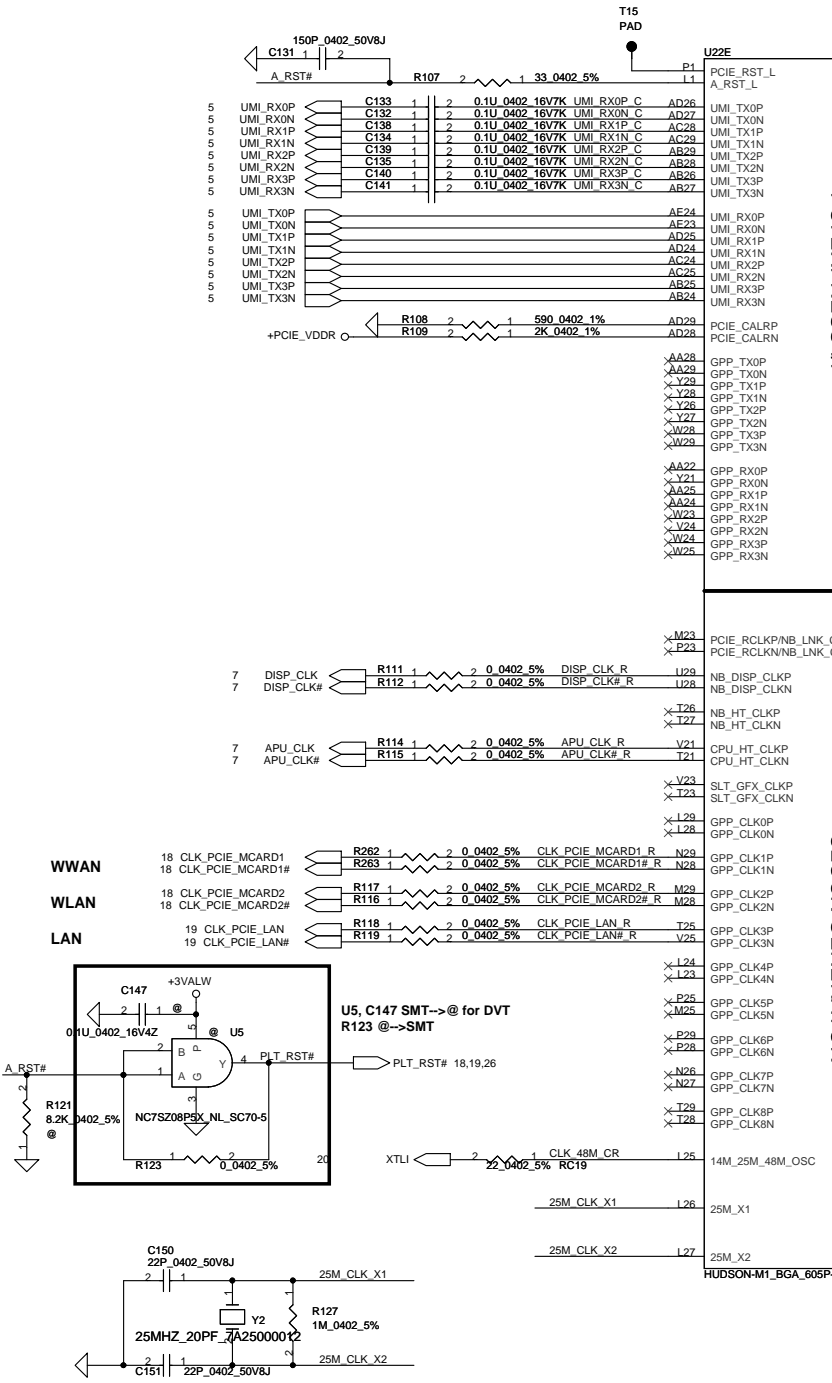


< HDMI Connector >



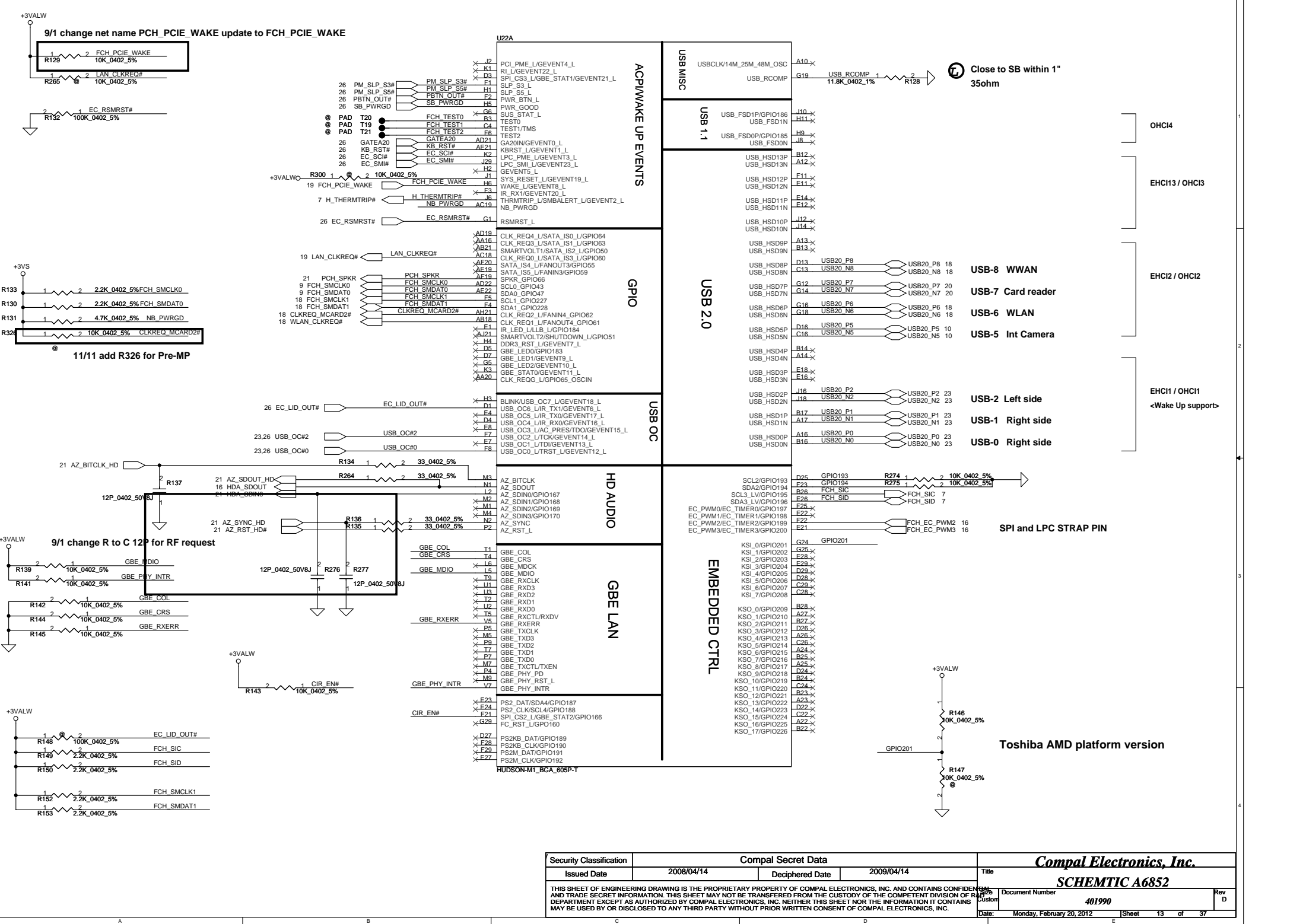
PVT :Follow AMD MDG 1.02, HPD pull low 100K_0603-->100K_R0402

Security Classification	Compal Secret Data			Title	
Issued Date	2008/10/06	Deciphered Date	2010/03/12	Compal Electronics, Inc.	
THIS SHEET OF ENGINEERING DRAWING IS THE PROPRIETARY PROPERTY OF COMPAL ELECTRONICS, INC. AND CONTAINS CONFIDENTIAL AND TRADE SECRET INFORMATION. THIS SHEET MAY NOT BE TRANSFERRED FROM THE CUSTODY OF THE COMPETENT DIVISION OF R&D DEPARTMENT EXCEPT AS AUTHORIZED BY COMPAL ELECTRONICS, INC. NEITHER THIS SHEET NOR THE INFORMATION IT CONTAINS MAY BE USED BY OR DISCLOSED TO ANY THIRD PARTY WITHOUT PRIOR WRITTEN CONSENT OF COMPAL ELECTRONICS, INC.				Document Number	Rev
				401990	D
				Date: Monday, February 20, 2012	Sheet 11 of 37



Security Classification	Compal Secret Data		Title	Compal Electronics, Inc.	
Issued Date	2007/5/18	Deciphered Date	2009/06/11	Document Number	
THIS SHEET OF ENGINEERING DRAWING IS THE PROPRIETARY PROPERTY OF COMPAL ELECTRONICS, INC. AND CONTAINS CONFIDENTIAL AND TRADE SECRET INFORMATION. THIS SHEET MAY NOT BE TRANSFERRED FROM THE CUSTODY OF THE COMPETENT DIVISION OF COMPAL ELECTRONICS, INC. DEPARTMENT EXCEPT AS AUTHORIZED BY COMPAL ELECTRONICS, INC. NEITHER THIS SHEET NOR THE INFORMATION IT CONTAINS MAY BE USED BY OR DISCLOSED TO ANY THIRD PARTY WITHOUT PRIOR WRITTEN CONSENT OF COMPAL ELECTRONICS, INC.			Custom	401990	Rev D
Date:	Monday, February 20, 2012	Sheet	12	of	37

SCHEMATIC A6852

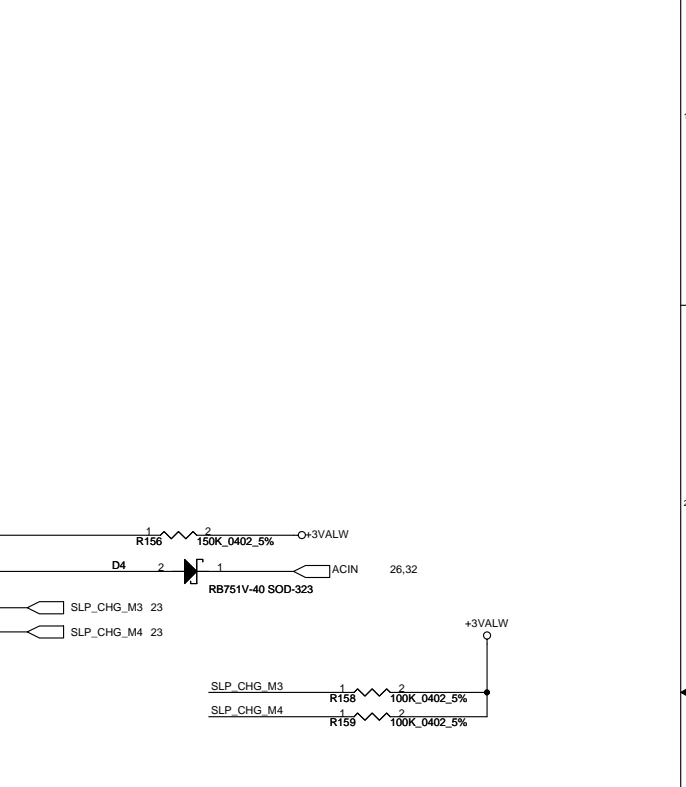
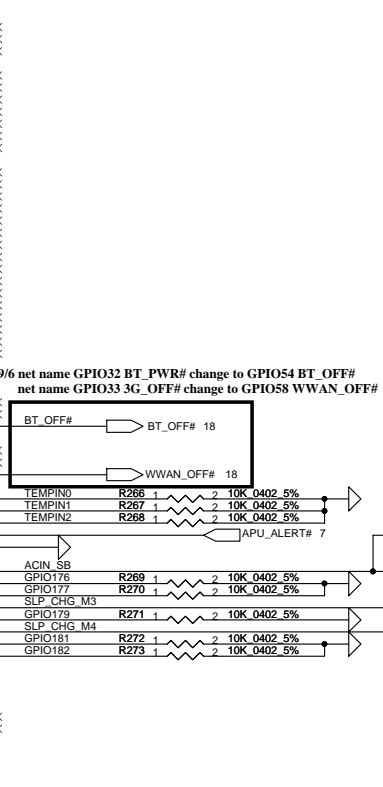
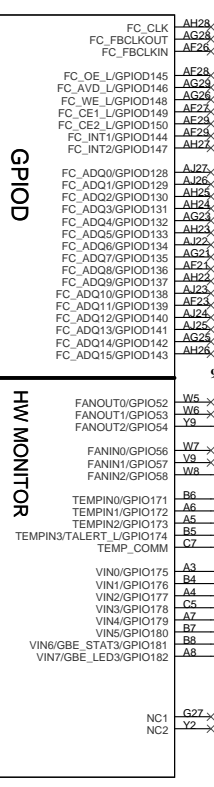
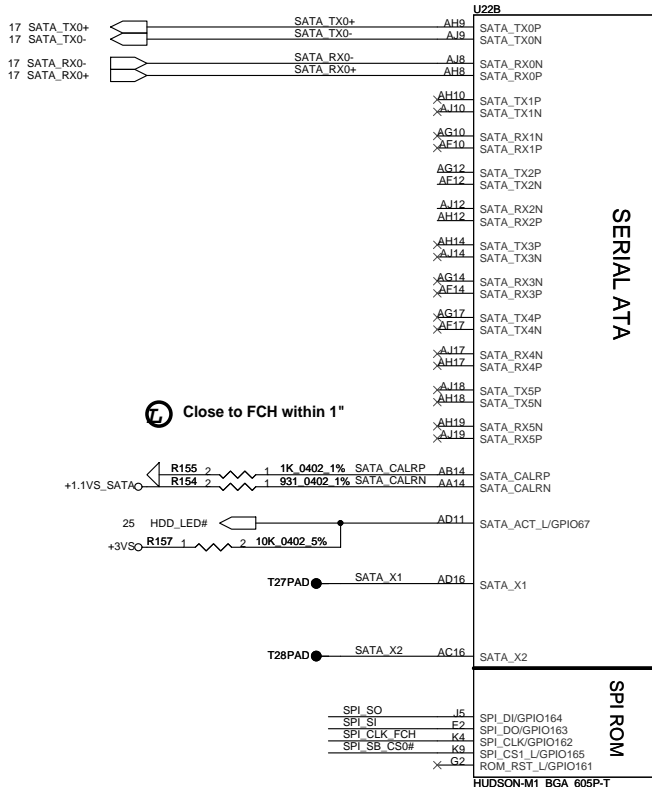


Security Classification	Compal Secret Data		Title	
Issued Date	2008/04/14	Deciphered Date	2009/04/14	2008/04/14
THIS SHEET OF ENGINEERING DRAWING IS THE PROPRIETARY PROPERTY OF COMPAL ELECTRONICS, INC. AND CONTAINS CONFIDENTIAL AND TRADE SECRET INFORMATION. THIS SHEET MAY NOT BE TRANSFERRED FROM THE CUSTODY OF THE COMPETENT DIVISION OF R&D DEPARTMENT EXCEPT AS AUTHORIZED BY COMPAL ELECTRONICS, INC. NEITHER THIS SHEET NOR THE INFORMATION IT CONTAINS MAY BE USED BY OR DISCLOSED TO ANY THIRD PARTY WITHOUT PRIOR WRITTEN CONSENT OF COMPAL ELECTRONICS, INC.				Document Number 401990
Date: Monday, February 20, 2012				Rev D

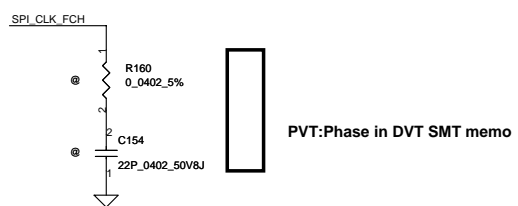
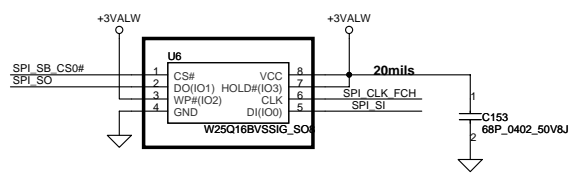
Compal Electronics, Inc.

SCHMATIC A6852

HDD



1012 change footprint to SA00003FO00 for PVT



Security Classification	Compal Secret Data		Title	Compal Electronics, Inc.	
Issued Date	2008/04/14	Deciphered Date	2009/04/14	Schematic A6852	
THIS SHEET OF ENGINEERING DRAWING IS THE PROPRIETARY PROPERTY OF COMPAL ELECTRONICS, INC. AND CONTAINS CONFIDENTIAL AND TRADE SECRET INFORMATION. THIS SHEET MAY NOT BE TRANSFERRED FROM THE CUSTODY OF THE COMPETENT DIVISION OF R&D DEPARTMENT EXCEPT AS AUTHORIZED BY COMPAL ELECTRONICS, INC. NEITHER THIS SHEET NOR THE INFORMATION IT CONTAINS MAY BE USED BY OR DISCLOSED TO ANY THIRD PARTY WITHOUT PRIOR WRITTEN CONSENT OF COMPAL ELECTRONICS, INC.			Document Number	401990	Rev D
			Date:	Monday, February 20, 2012	Sheet 14 of 37

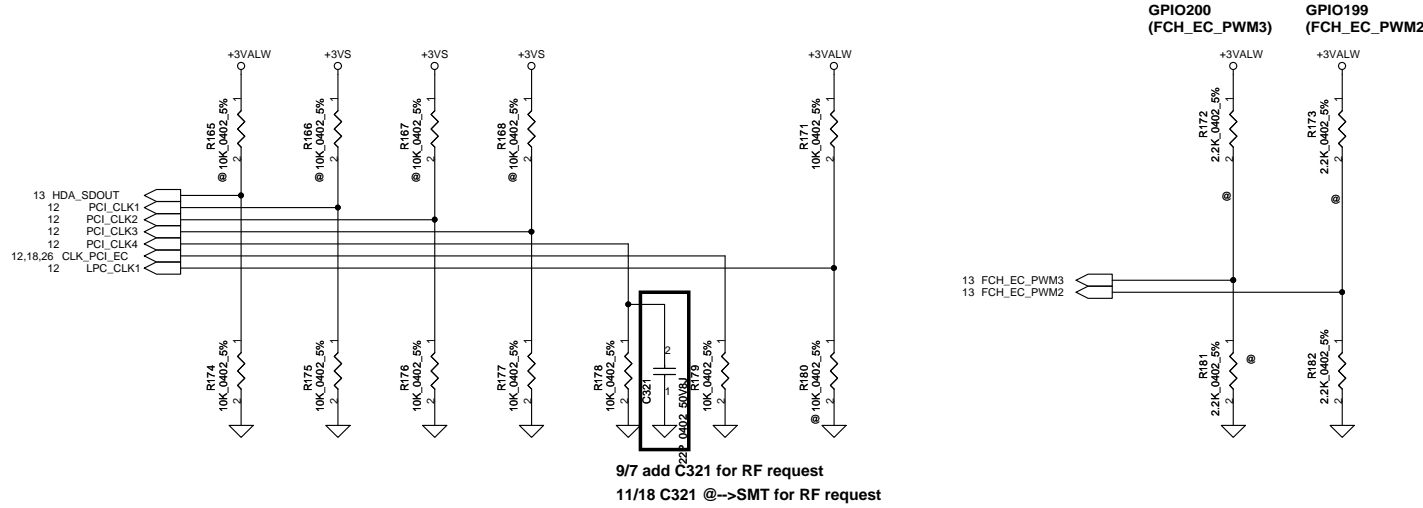
REQUIRED STRAPS

Check Internal PU/PD

	AZ_SDOUT	PCI_CLK1	PCI_CLK2	PCI_CLK3	PCI_CLK4	CLK_PCI_EC	LPC_CLK1	
PULL HIGH	LOW POWER MODE	ALLOW PCIE GEN2	WATCHDOG TIMER ENABLE	USE DEBUG STRAP	Inter CLK Gen Mode Disable	EC ENABLE	CLOCKGEN ENABLE	
							*	DEFAULT
PULL LOW	Performance MODE	FORCE PCIE GEN1	WATCHDOG TIMER DISABLE	IGNORE DEBUG STRAP	Inter CLK Gen Mode Enable	EC DISABLE	CLOCKGEN DISABLE	
	*	*	*	*	*	*	*	
	DEFAULT	DEFAULT	DEFAULT	DEFAULT	DEFAULT	DEFAULT	DEFAULT	

	GPIO200 (FCH_EC_PWM3)	GPIO199 (FCH_EC_PWM2)
Reserved	2.2k pull down	2.2k pull down
* SPI	Not contact	2.2k pull down
LPC	2.2k pull down	Not contact
Reserved	Not contact	Not contact

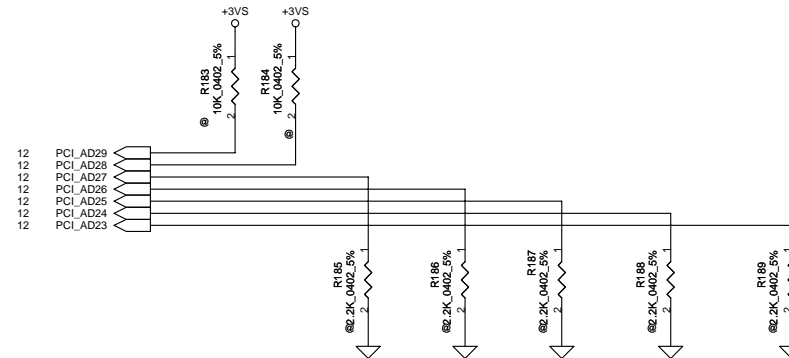
DEFAULT
07/21 Follow AMD 47791_SCL



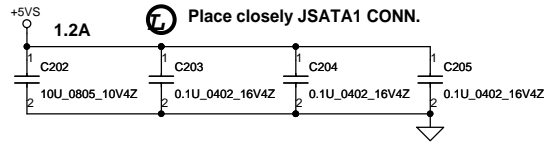
DEBUG STRAPS

M1 HAS 15K INTERNAL PU FOR PCI_AD[27:23]

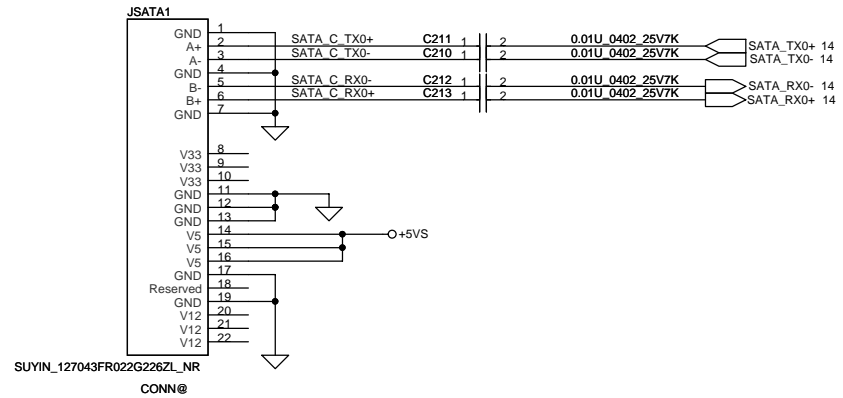
	PCI_AD27	PCI_AD26	PCI_AD25	PCI_AD24	PCI_AD23
PULL HIGH	USE PCI PLL	DISABLE ILA AUTORUN	USE FC PLL	USE DEFAULT PCIE STRAPS	DISABLE PCI MEM BOOT
	DEFAULT	DEFAULT	DEFAULT	DEFAULT	DEFAULT
PULL LOW	BYPASS PCI PLL	ENABLE ILA AUTORUN	BYPASS FC PLL	USE EEPROM PCIE STRAPS	ENABLE PCI MEM BOOT



Security Classification	Compal Secret Data			Compal Electronics, Inc.	
Issued Date	2008/10/06	Deciphered Date	2009/10/06	Title	
THIS SHEET OF ENGINEERING DRAWING IS THE PROPRIETARY PROPERTY OF COMPAL ELECTRONICS, INC. AND CONTAINS CONFIDENTIAL AND TRADE SECRET INFORMATION. THIS SHEET MAY NOT BE TRANSFERRED FROM THE CUSTODY OF THE COMPETENT DIVISION OF R&D TO CUSTOMERS OR OTHER DEPARTMENTS EXCEPT AS AUTHORIZED BY COMPAL ELECTRONICS, INC. NEITHER THIS SHEET NOR THE INFORMATION IT CONTAINS MAY BE USED BY OR DISCLOSED TO ANY THIRD PARTY WITHOUT PRIOR WRITTEN CONSENT OF COMPAL ELECTRONICS, INC.				Document Number	Rev D
				401990	
				Date: Monday, February 20, 2012	Sheet 16 of 37



< SATA Connector >

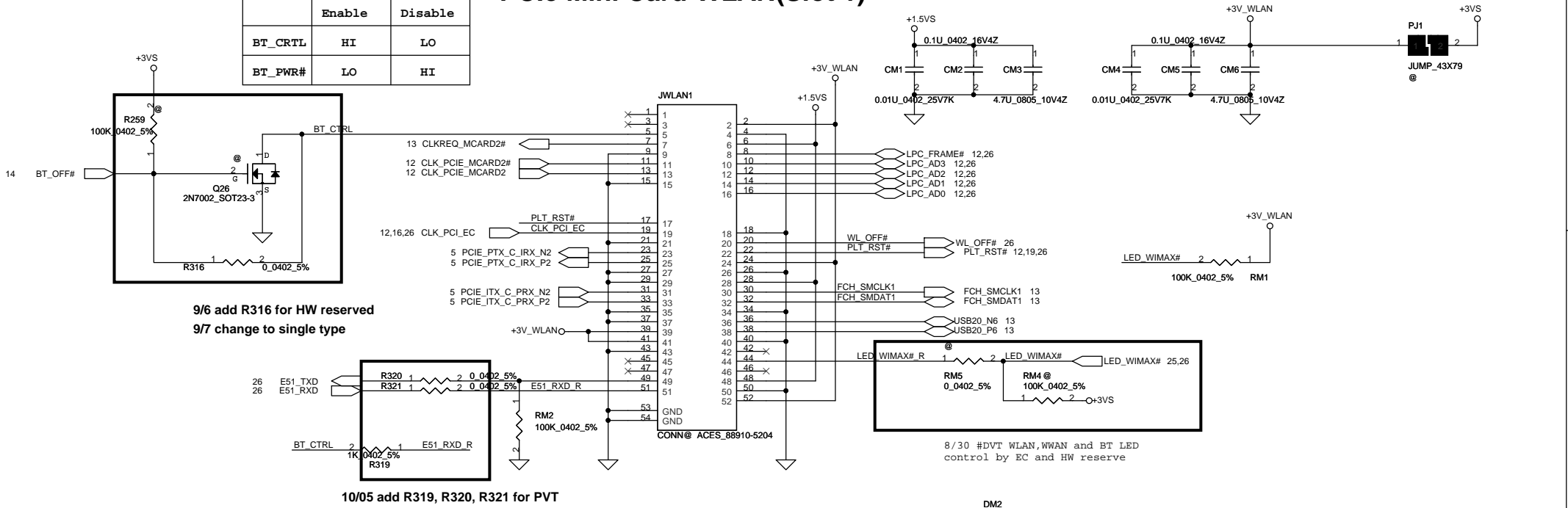


Security Classification		Compal Secret Data		Compal Electronics, Inc.	
Issued Date	2009/04/07	Deciphered Date	2012/10/21	Title SCHEMATIC A6852	
THIS SHEET OF ENGINEERING DRAWING IS THE PROPRIETARY PROPERTY OF COMPAL ELECTRONICS, INC. AND CONTAINS CONFIDENTIAL AND TRADE SECRET INFORMATION. THIS SHEET MAY NOT BE TRANSFERRED FROM THE CUSTODY OF THE COMPETENT DIVISION OF R&D DEPARTMENT EXCEPT AS AUTHORIZED BY COMPAL ELECTRONICS, INC. NEITHER THIS SHEET NOR THE INFORMATION IT CONTAINS MAY BE USED BY OR DISCLOSED TO ANY THIRD PARTY WITHOUT PRIOR WRITTEN CONSENT OF COMPAL ELECTRONICS, INC.				Document Number 401990	Rev D
Date: Monday, February 20, 2012		Sheet 17 of 37			

WLAN&BT Combo module circuits

	BT on module Enable	BT on module Disable
BT_CTRL	HI	LO
BT_PWR#	LO	HI

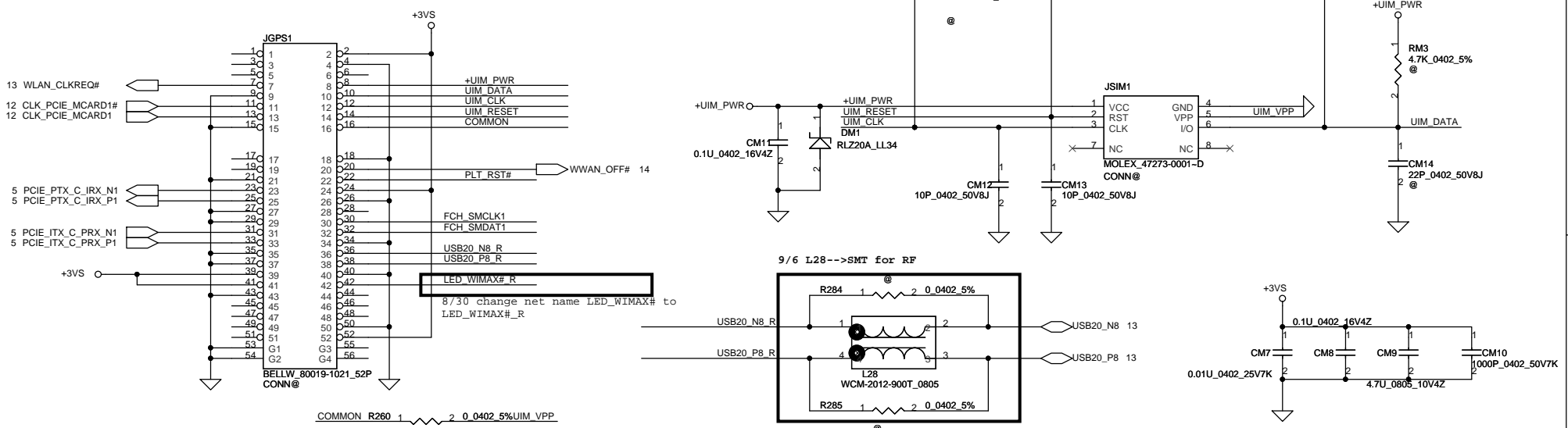
PCIe Mini Card-WLAN(Slot 1)



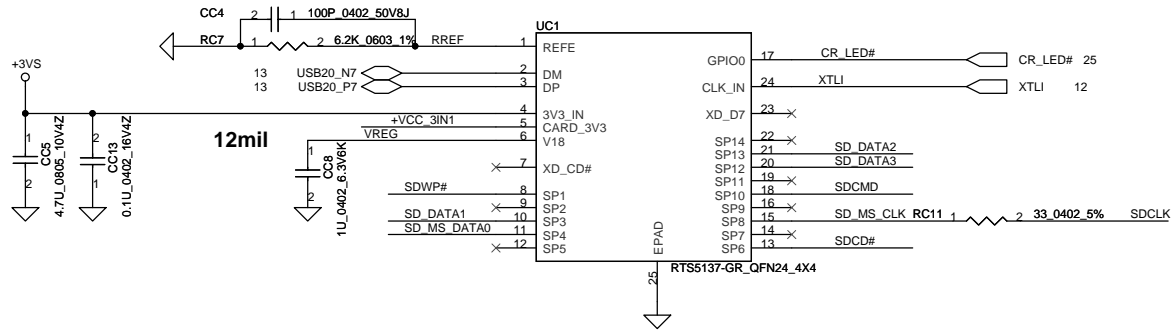
9/6 add R316 for HW reserved
9/7 change to single type

10/05 add R319, R320, R321 for PVT

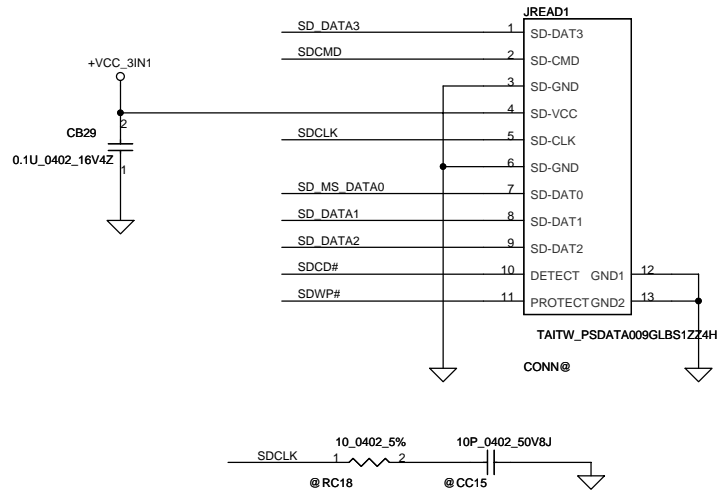
PCIe Mini Card-3G/WWAN (Slot 2)



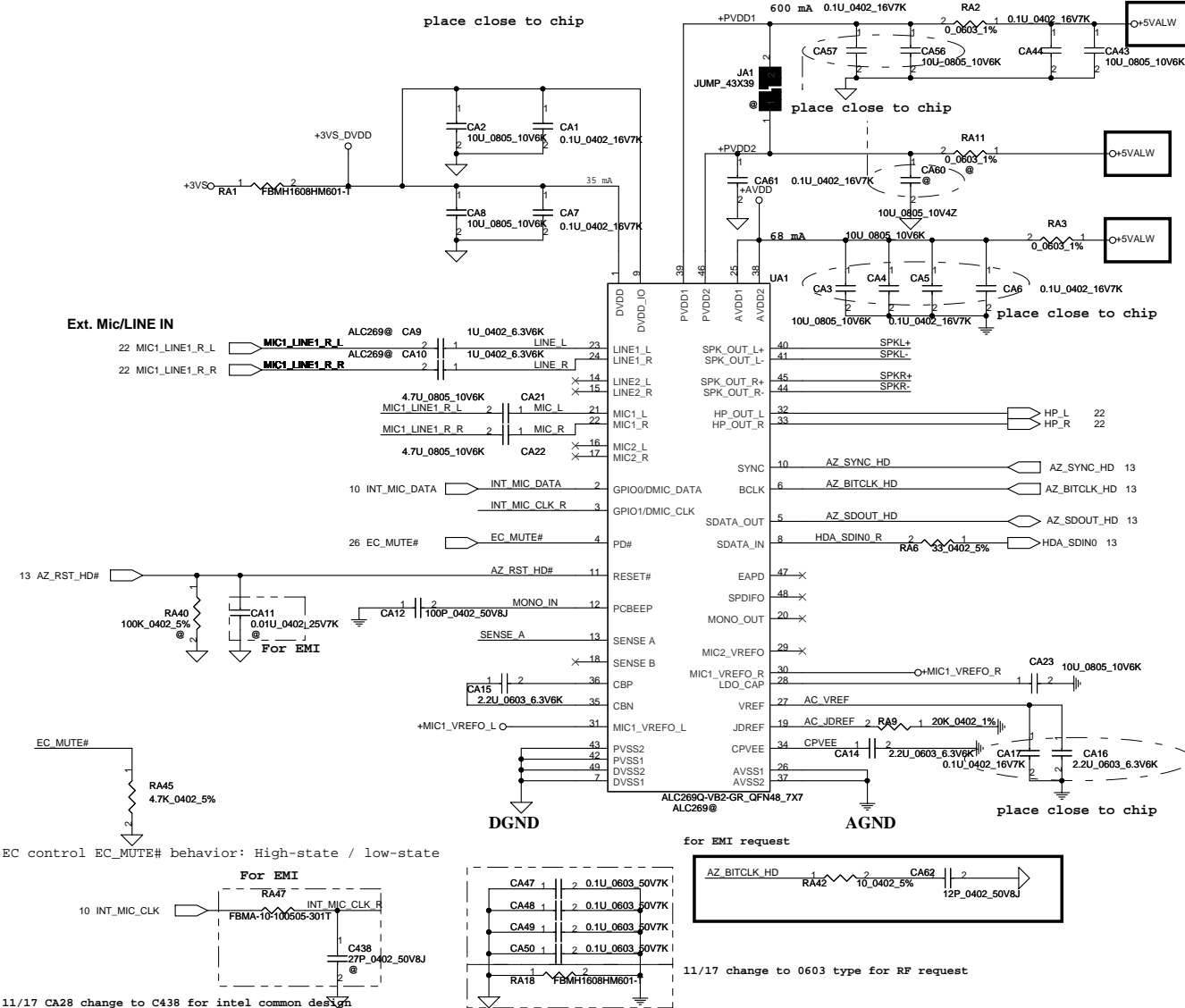
	XD_CD#		
SP1	XD_RDY	SD_WP	MS_CLK
SP2	XD_RE#		MS_INS#
SP3	XD_C#	SD_D1	
SP4	XD_C#	SD_D0	MS_D7
SP5	XD_A#	SD_D7	MS_D3
SP6	XD_WE#	SD_CD#	
SP7	XD_WP	SD_D6	MS_D6
SP8	XD_D0	SD_CLK	MS_D2
SP9	XD_D1	SD_D5	MS_D0
SP10	XD_D2	SD_CMD	
SP11	XD_D3	SD_D4	MS_D4
SP12	XD_D4	SD_D3	MS_D1
SP13	XD_D5	SD_D2	MS_D5
SP14	XD_D6		MS_BS
	XD_D7		



< 2 in 1 Card Reader >

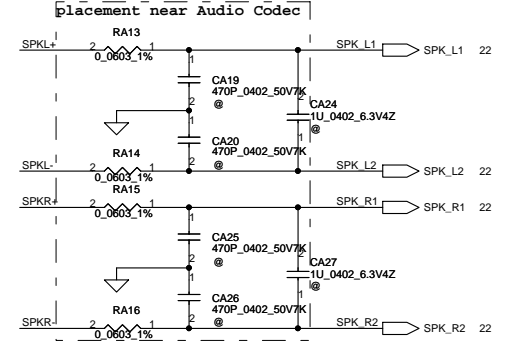


Security Classification		Compal Secret Data		Compal Electronics, Inc.	
Issued Date	2007/10/15	Deciphered Date	2008/10/15	Title	
THIS SHEET OF ENGINEERING DRAWING IS THE PROPRIETARY PROPERTY OF COMPAL ELECTRONICS, INC. AND CONTAINS CONFIDENTIAL AND TRADE SECRET INFORMATION. THIS SHEET MAY NOT BE TRANSFERRED FROM THE CUSTODY OF THE COMPETENT DIVISION OF R&D DEPARTMENT EXCEPT AS AUTHORIZED BY COMPAL ELECTRONICS, INC. NEITHER THIS SHEET NOR THE INFORMATION IT CONTAINS MAY BE USED BY OR DISCLOSED TO ANY THIRD PARTY WITHOUT PRIOR WRITTEN CONSENT OF COMPAL ELECTRONICS, INC.				Document Number	Rev D
				401990	
Date:				Monday, February 20, 2012	Sheet 20 of 37



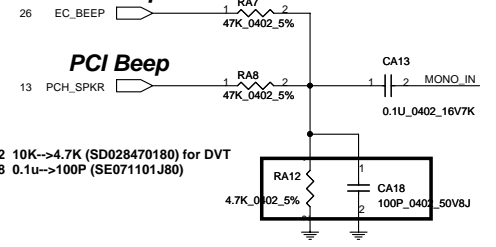
11/16 Delete RA53/RA54 for pre-MP

Speaker Connector

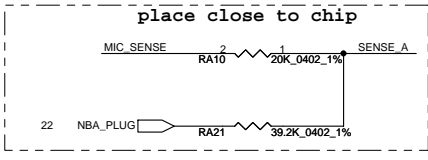


EC BEEP

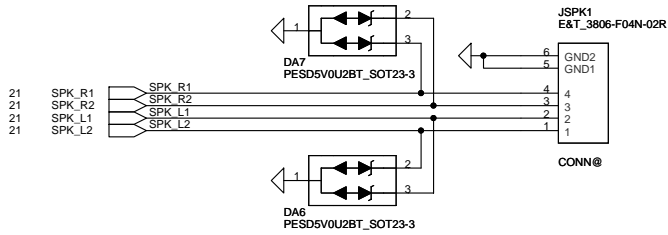
Beep sound



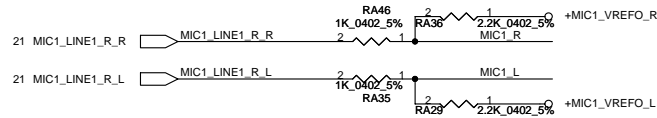
Sense Pin	Impedance	Codec Signals	Function
SENSE A	39.2K	PORT-I (PIN 32, 33)	Headphone out
	20K	PORT-B (PIN 21, 22)	Ext. MIC
	10K	PORT-C (PIN 23, 24)	
	5.1K	(PIN 48)	



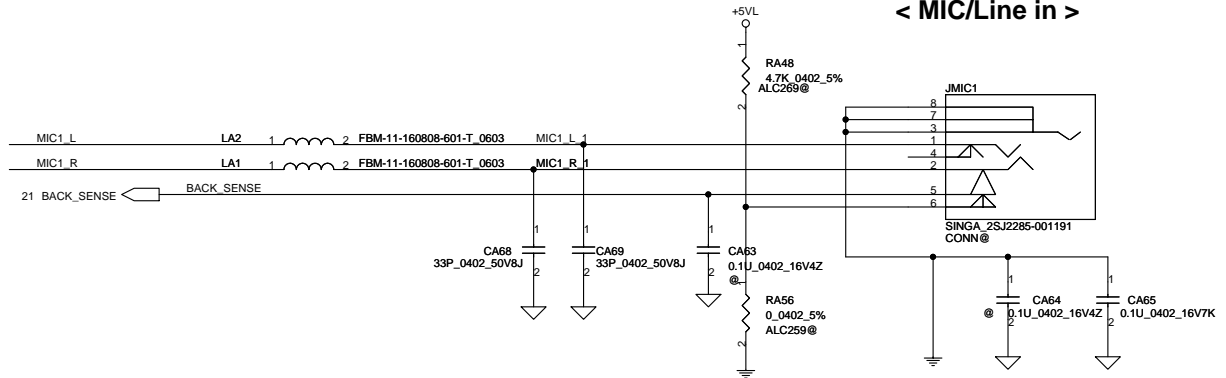
< SPK connector >



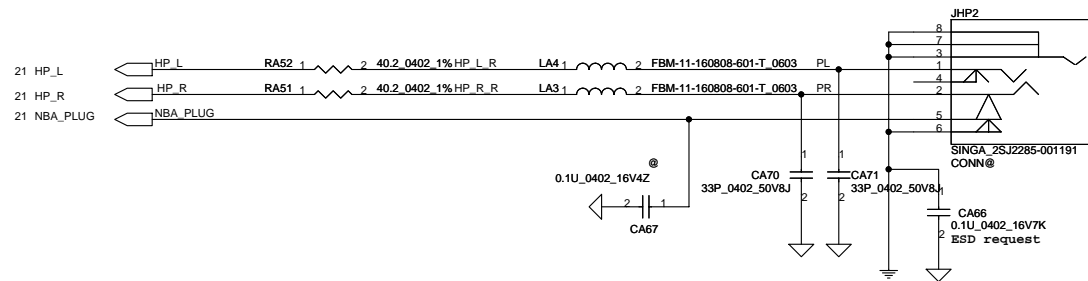
Ext.MIC/LINE IN JACK



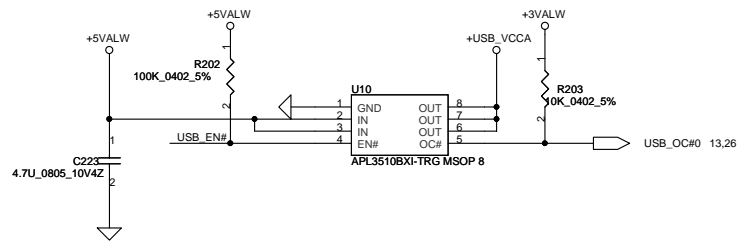
< MIC/Line in >



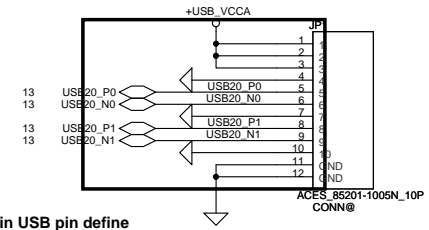
< Head phone >



Security Classification	Compal Secret Data		Title	
Issued Date	2009/04/07	Deciphered Date	2012/10/21	SCHEMATIC A6852
THIS SHEET OF ENGINEERING DRAWING IS THE PROPRIETARY PROPERTY OF COMPAL ELECTRONICS, INC. AND CONTAINS CONFIDENTIAL AND TRADE SECRET INFORMATION. THIS SHEET MAY NOT BE TRANSFERRED FROM THE CUSTODY OF THE COMPETENT DIVISION OF R&D DEPARTMENT EXCEPT AS AUTHORIZED BY COMPAL ELECTRONICS, INC. NEITHER THIS SHEET NOR THE INFORMATION IT CONTAINS MAY BE USED BY OR DISCLOSED TO ANY THIRD PARTY WITHOUT PRIOR WRITTEN CONSENT OF COMPAL ELECTRONICS, INC.				Document Number 401990
Date: Monday, February 20, 2012				Sheet 22 of 37 Rev D

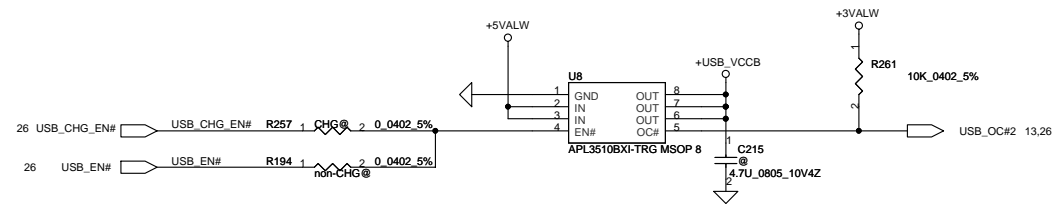
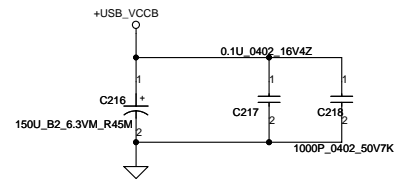
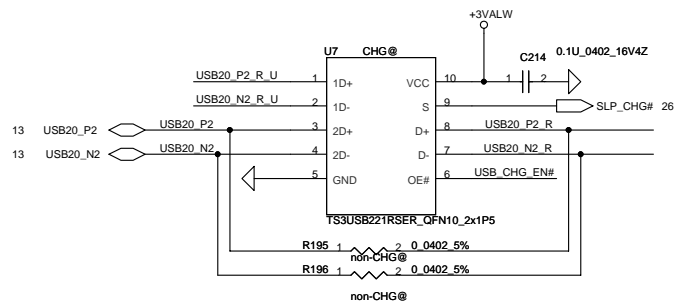


< USB connector >

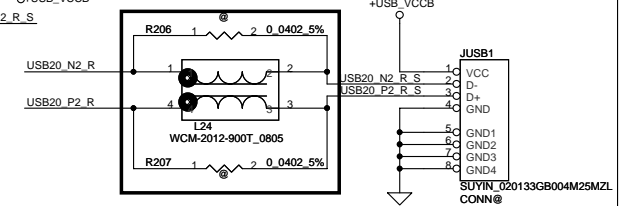
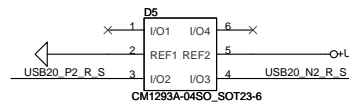
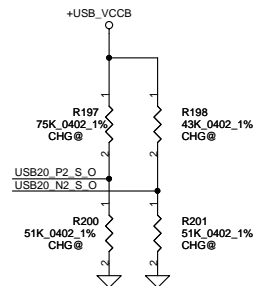
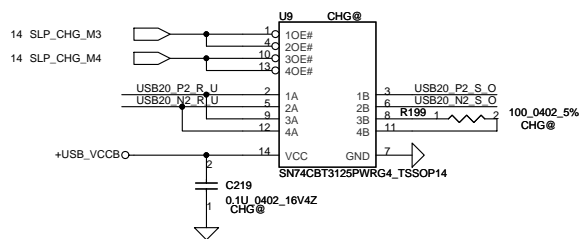


8/27 add GND pin in USB pin define

USB Sleep and charge



< USB connector >



10/13 R206/R207 SMT-->@ L24 @-->SMT

	SLP_CHG_M3	SLP_CHG_M4
Mode 3	HIGH	LOW
Mode 4	LOW	HIGH

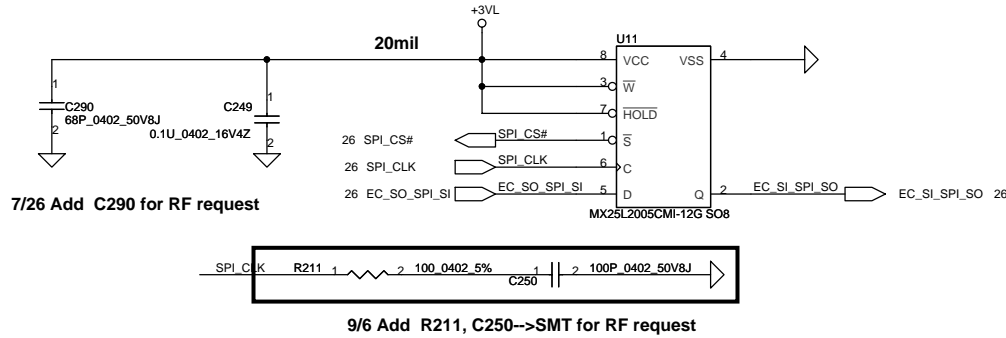
SLP_CHG	FUNCTION
LOW	D=1D
HIGH	D=2D

Security Classification	Compal Secret Data		Title	
Issued Date	2007/10/15	Deciphered Date	2008/10/15	Compal Electronics, Inc.
THIS SHEET OF ENGINEERING DRAWING IS THE PROPRIETARY PROPERTY OF COMPAL ELECTRONICS, INC. AND CONTAINS CONFIDENTIAL AND TRADE SECRET INFORMATION. THIS SHEET MAY NOT BE TRANSFERRED FROM THE CUSTODY OF THE COMPETENT DIVISION OF R&D DEPARTMENT EXCEPT AS AUTHORIZED BY COMPAL ELECTRONICS, INC. NEITHER THIS SHEET NOR THE INFORMATION IT CONTAINS MAY BE USED BY OR DISCLOSED TO ANY THIRD PARTY WITHOUT PRIOR WRITTEN CONSENT OF COMPAL ELECTRONICS, INC.				Document Number
				401990
Date: Monday, February 20, 2012				Rev D
Sheet 23 of 37				

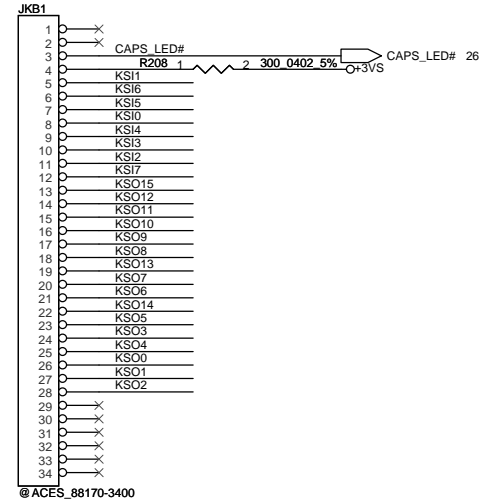
Option 1:SPI Flash (2MB*1) for EC

**Option 2:SPI Flash (256KB*1) for EC
SPI Flash (2MB*1) for SB (set up strap pin)**

SPI Socket: SP07000F500 & SP07000H900
2MB P/N:Winbond SA00003FO00 S IC FL 16M W25Q16BVSSIG SOIC 8P
256KB P/N:MXIC SA00003GK00 S IC FL 2M MX25L2005CMI-12G SOP 8P

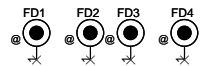
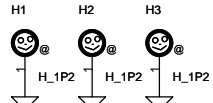


< Key board connector >

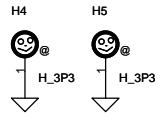


KSI0	C224	1	2	100P_0402_50V8J
KSI1	C225	1	2	100P_0402_50V8J
KSI2	C226	1	2	100P_0402_50V8J
KSI3	C227	1	2	100P_0402_50V8J
KSI4	C228	1	2	100P_0402_50V8J
KSI5	C229	1	2	100P_0402_50V8J
KSI6	C230	1	2	100P_0402_50V8J
KSI7	C231	1	2	100P_0402_50V8J
KSO0	C232	1	2	100P_0402_50V8J
KSO1	C233	1	2	100P_0402_50V8J
KSO2	C234	1	2	100P_0402_50V8J
KSO3	C235	1	2	100P_0402_50V8J
KSO4	C236	1	2	100P_0402_50V8J
KSO5	C237	1	2	100P_0402_50V8J
KSO6	C238	1	2	100P_0402_50V8J
KSO7	C239	1	2	100P_0402_50V8J
KSO8	C240	1	2	100P_0402_50V8J
KSO9	C241	1	2	100P_0402_50V8J
KSO10	C242	1	2	100P_0402_50V8J
KSO11	C243	1	2	100P_0402_50V8J
KSO12	C244	1	2	100P_0402_50V8J
KSO13	C245	1	2	100P_0402_50V8J
KSO14	C246	1	2	100P_0402_50V8J
KSO15	C247	1	2	100P_0402_50V8J
CAPS_LED#	C248	1	2	100P_0402_50V8J

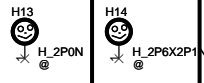
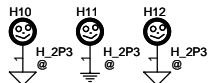
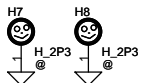
CPU Screw hole



Stand off

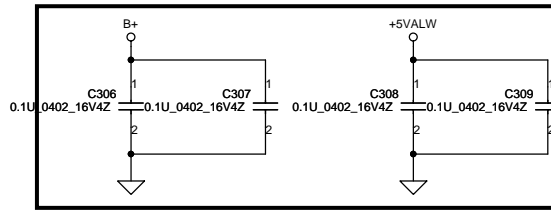


Screw hole

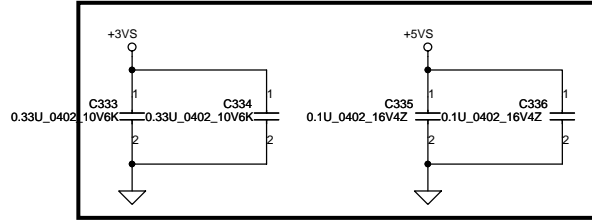


10/07 remove H9, add H14 for PVT

EMI request cap



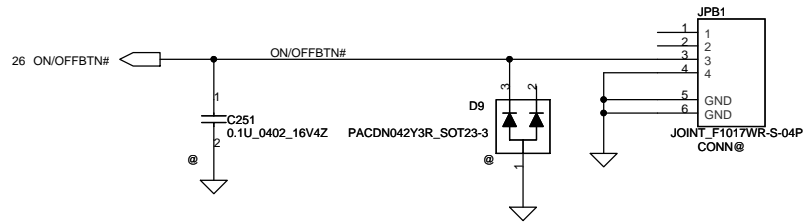
11/12 add C306-C309 @-->SMT for RF at Pre-MP phase



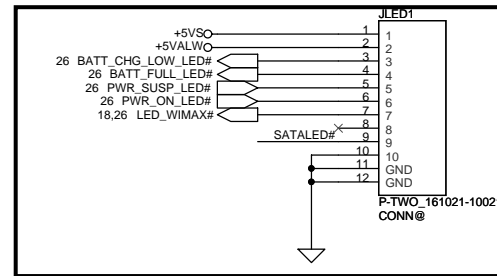
10/14 add C333-C336 for EMI at PVT phase
11/17 C333/C334 0.1uF change to 0.33uF for Pre-MP

Security Classification		Compal Secret Data		Title	
Issued Date	2007/10/15	Deciphered Date	2008/10/15	Compal Electronics, Inc.	
THIS SHEET OF ENGINEERING DRAWING IS THE PROPRIETARY PROPERTY OF COMPAL ELECTRONICS, INC. AND CONTAINS CONFIDENTIAL AND TRADE SECRET INFORMATION. THIS SHEET MAY NOT BE TRANSFERRED FROM THE CUSTODY OF THE COMPETENT DIVISION OF R&D DEPARTMENT EXCEPT AS AUTHORIZED BY COMPAL ELECTRONICS, INC. NEITHER THIS SHEET NOR THE INFORMATION IT CONTAINS MAY BE USED BY OR DISCLOSED TO ANY THIRD PARTY WITHOUT PRIOR WRITTEN CONSENT OF COMPAL ELECTRONICS, INC.				Document Number	Rev D
				401990	
Date:				Monday, February 20, 2012	Sheet 24 of 37

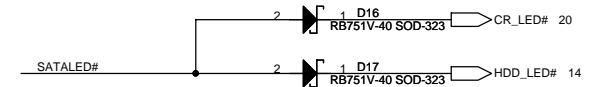
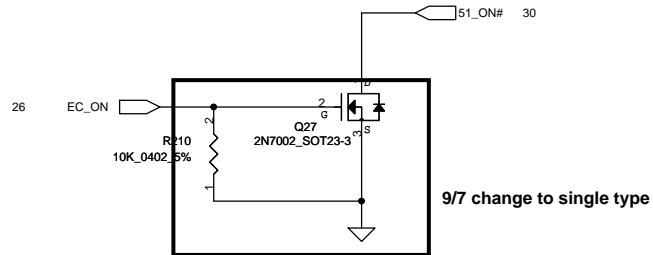
< PWR BTN connector >



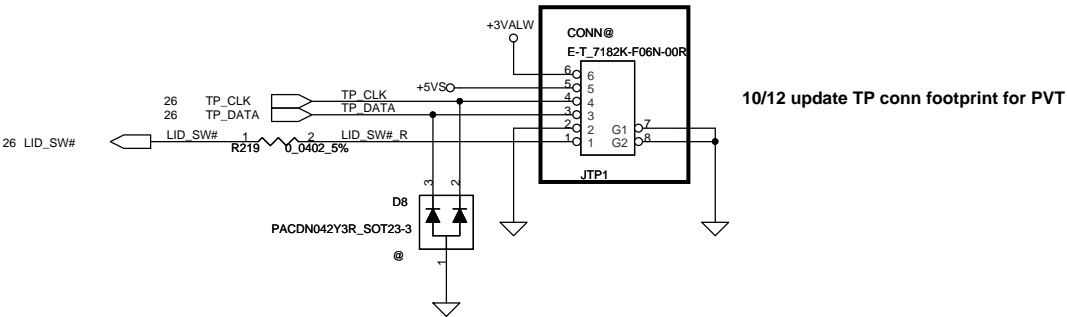
<LED connector >



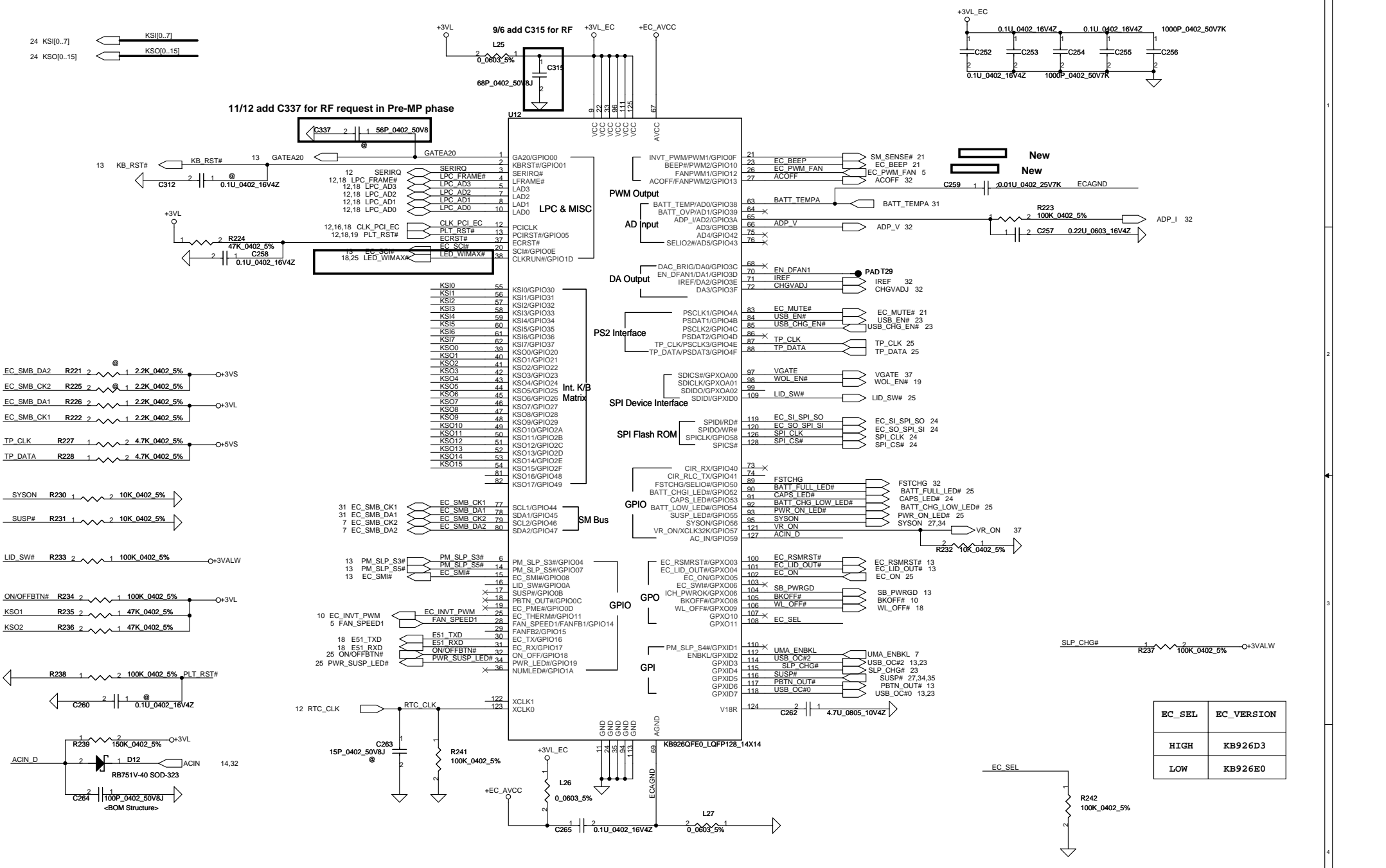
10/13 update LEDconn footprint for PVT



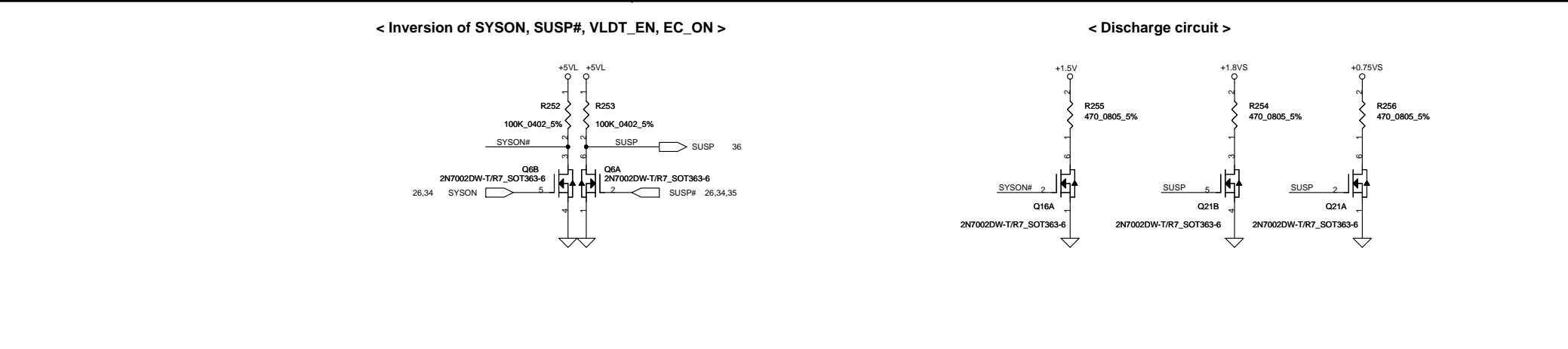
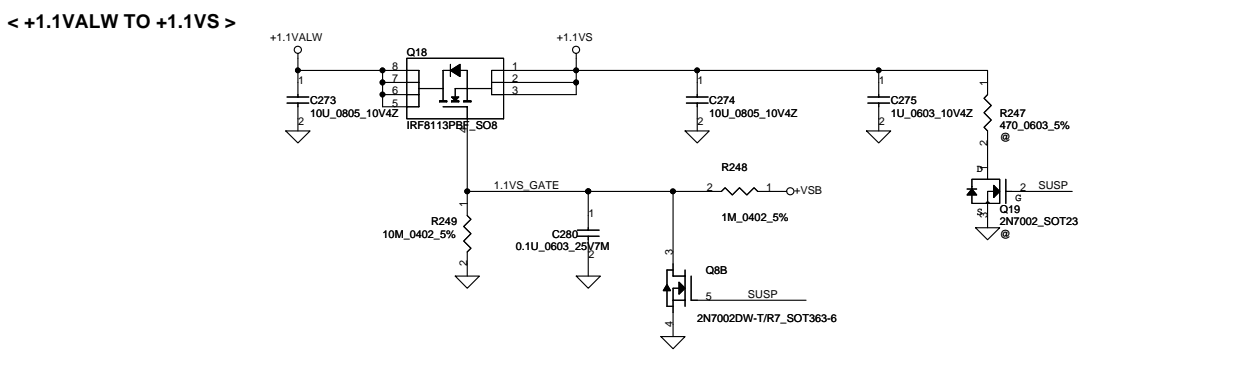
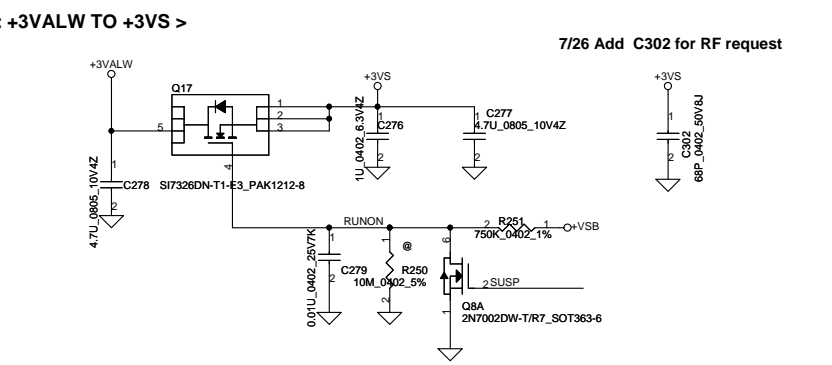
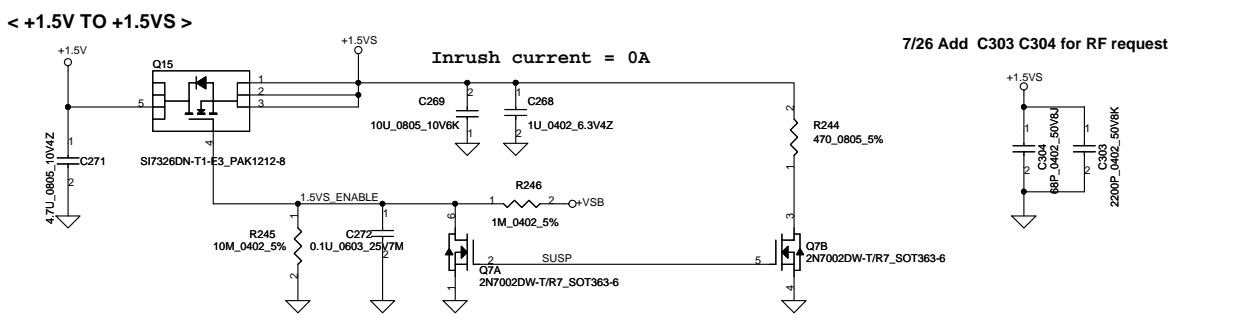
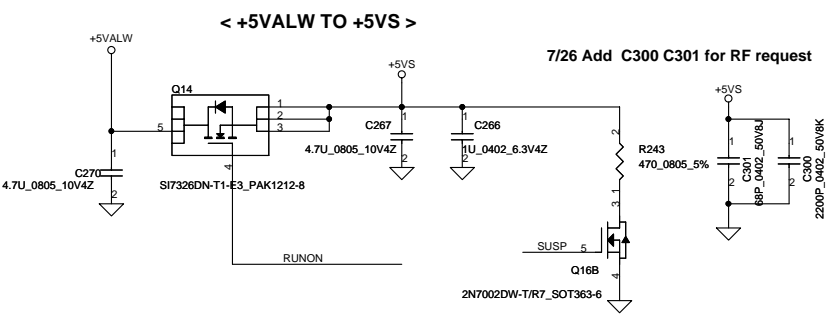
< T/P and Lid connector >



Security Classification	Compal Secret Data		Compal Electronics, Ltd.	
Issued Date	2008/03/25	Deciphered Date	2008/04/	Title
THIS SHEET OF ENGINEERING DRAWING IS THE PROPRIETARY PROPERTY OF COMPAL ELECTRONICS, INC. AND CONTAINS CONFIDENTIAL AND TRADE SECRET INFORMATION. THIS SHEET MAY NOT BE TRANSFERRED FROM THE CUSTODY OF THE COMPETENT DIVISION OF R&D DEPARTMENT EXCEPT AS AUTHORIZED BY COMPAL ELECTRONICS, INC. NEITHER THIS SHEET NOR THE INFORMATION IT CONTAINS MAY BE USED BY OR DISCLOSED TO ANY THIRD PARTY WITHOUT PRIOR WRITTEN CONSENT OF COMPAL ELECTRONICS, INC.				SCHEMATIC A6852 Document Number 401990 Date: Monday, February 20, 2012
Size	Custom	Rev	D	Sheet 25 of 37

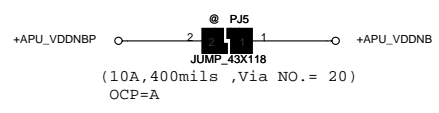
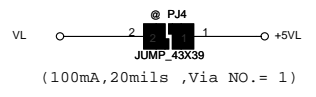
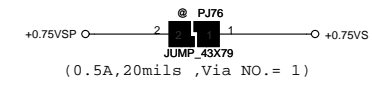
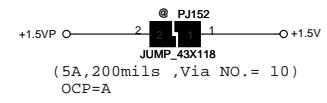
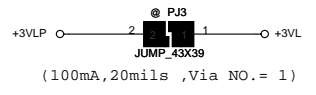
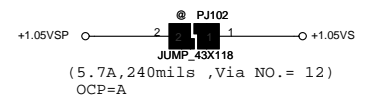
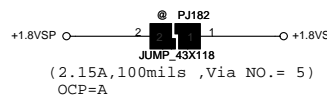
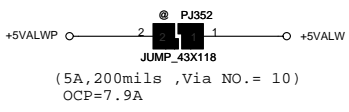
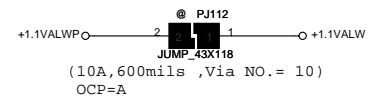
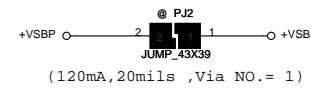
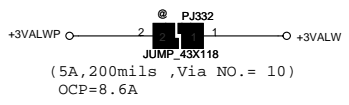
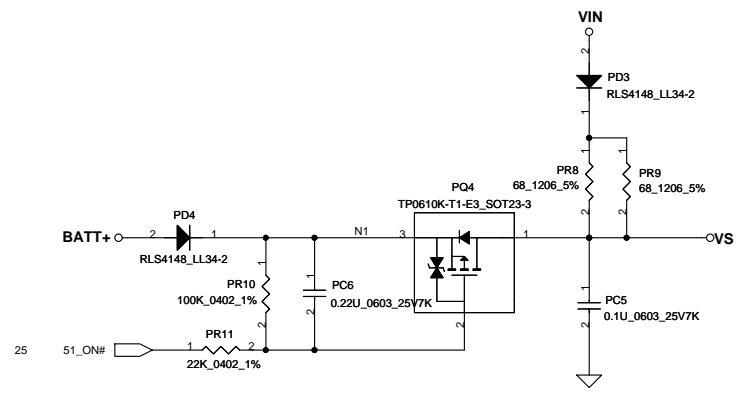
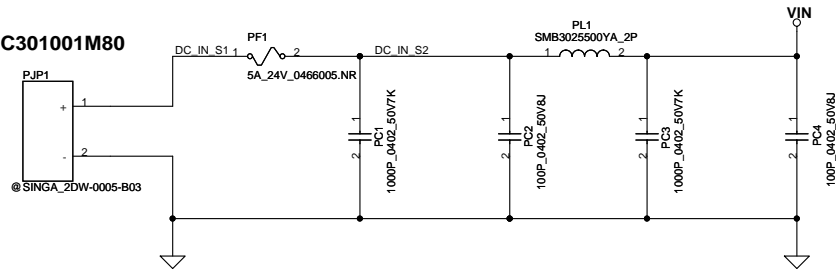


EC_SEL	EC_VERSION
HIGH	KB926D3
LOW	KB926E0



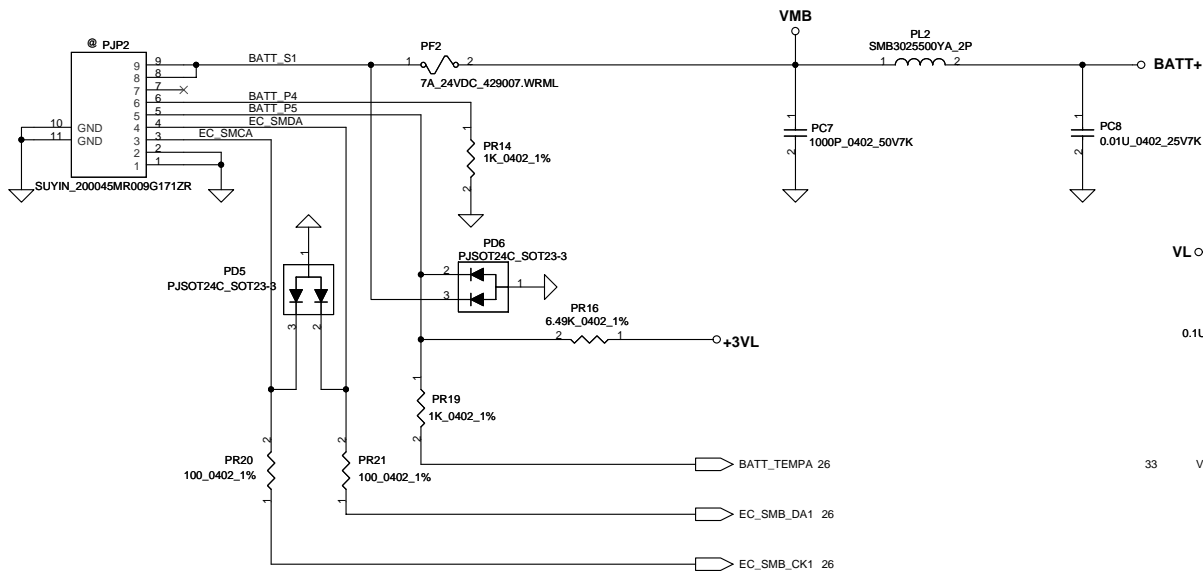
Security Classification	Compal Secret Data			Title	
Issued Date	2008/04/14	Deciphered Date	2009/04/14	Compal Electronics, Inc.	
THIS SHEET OF ENGINEERING DRAWING IS THE PROPRIETARY PROPERTY OF COMPAL ELECTRONICS, INC. AND CONTAINS CONFIDENTIAL AND TRADE SECRET INFORMATION. THIS SHEET MAY NOT BE TRANSFERRED FROM THE CUSTODY OF THE COMPETENT DIVISION OF R&D DEPARTMENT EXCEPT AS AUTHORIZED BY COMPAL ELECTRONICS, INC. NEITHER THIS SHEET NOR THE INFORMATION IT CONTAINS MAY BE USED BY OR DISCLOSED TO ANY THIRD PARTY WITHOUT PRIOR WRITTEN CONSENT OF COMPAL ELECTRONICS, INC.				Document Number	Rev
				401990	D
				Date: Monday, February 20, 2012	Sheet 27 of 37

DC301001M80

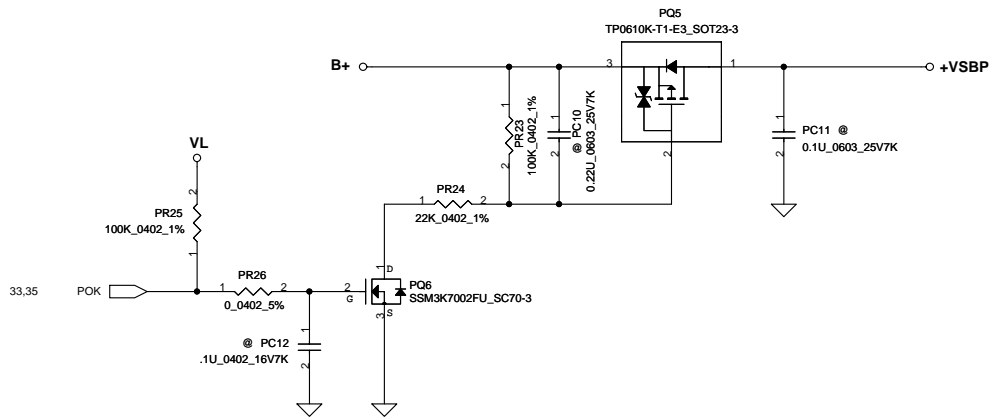
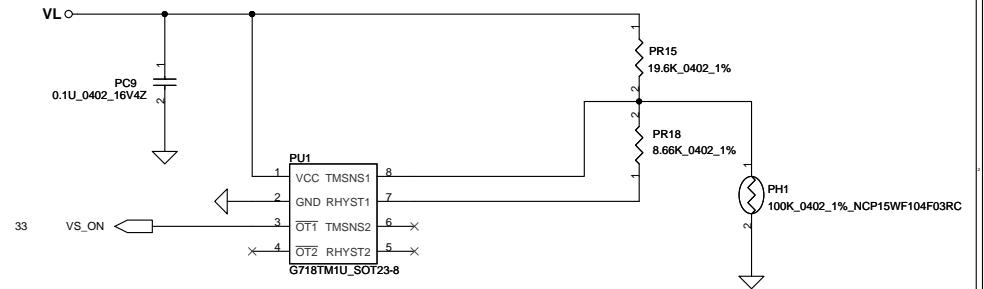


ACIN		
Precharge detector		
	Min.	typ.
H-->L	14.42V	14.74V
L-->H	15.39V	15.88V
	Max	
	15.23V	16.39V

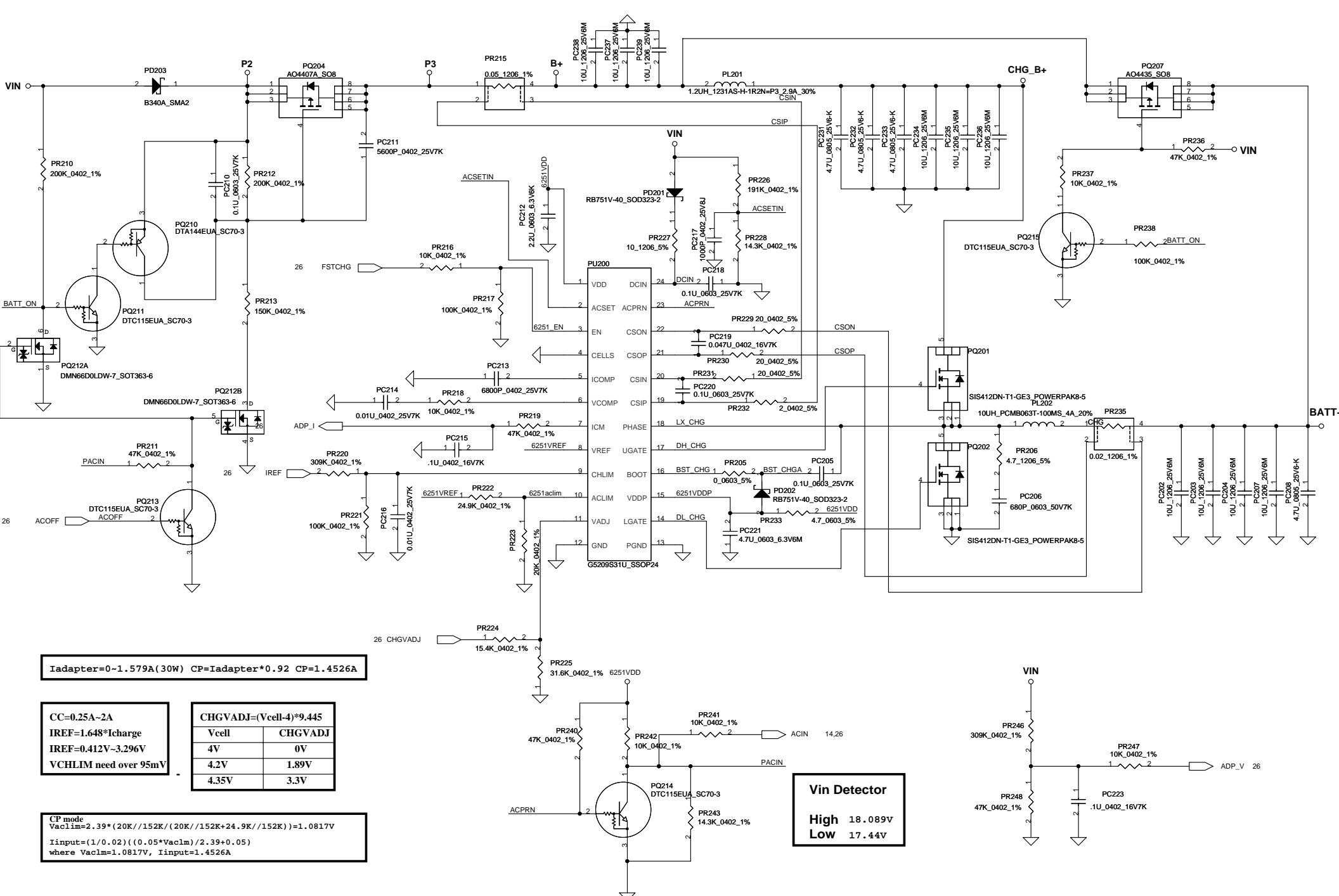
Security Classification		Compal Secret Data		Compal Electronics, Inc.	
Issued Date	2009/11/13	Deciphered Date	2009/04/28	Title	
<small>THIS SHEET OF ENGINEERING DRAWING IS THE PROPRIETARY PROPERTY OF COMPAL ELECTRONICS, INC. AND CONTAINS CONFIDENTIAL AND TRADE SECRET INFORMATION. THIS SHEET MAY NOT BE TRANSFERRED FROM THE CUSTODY OF THE COMPETENT DIVISION OF R&D DEPARTMENT EXCEPT AS AUTHORIZED BY COMPAL ELECTRONICS, INC. NEITHER THIS SHEET NOR THE INFORMATION IT CONTAINS MAY BE USED BY OR DISCLOSED TO ANY THIRD PARTY WITHOUT PRIOR WRITTEN CONSENT OF COMPAL ELECTRONICS, INC.</small>				SCHEMATIC A6852	
				Document Number	401990
Date: Monday, February 20, 2012				Sheet	28 of 37



PH1 under CPU botten side :
 CPU thermal protection at 95 degree C
 Recovery at 56 degree C



Security Classification	Compal Secret Data		Compal Electronics, Inc.	
Issued Date	2009/11/13	Deciphered Date	2009/04/28	Title
THIS SHEET OF ENGINEERING DRAWING IS THE PROPRIETARY PROPERTY OF COMPAL ELECTRONICS, INC. AND CONTAINS CONFIDENTIAL AND TRADE SECRET INFORMATION. THIS SHEET MAY NOT BE TRANSFERRED FROM THE CUSTODY OF THE COMPETENT DIVISION OF R&D DEPARTMENT EXCEPT AS AUTHORIZED BY COMPAL ELECTRONICS, INC. NEITHER THIS SHEET NOR THE INFORMATION IT CONTAINS MAY BE USED BY OR DISCLOSED TO ANY THIRD PARTY WITHOUT PRIOR WRITTEN CONSENT OF COMPAL ELECTRONICS, INC.				Document Number
				401990
				Rev D
Date: Monday, February 20, 2012		Sheet 29 of 37		



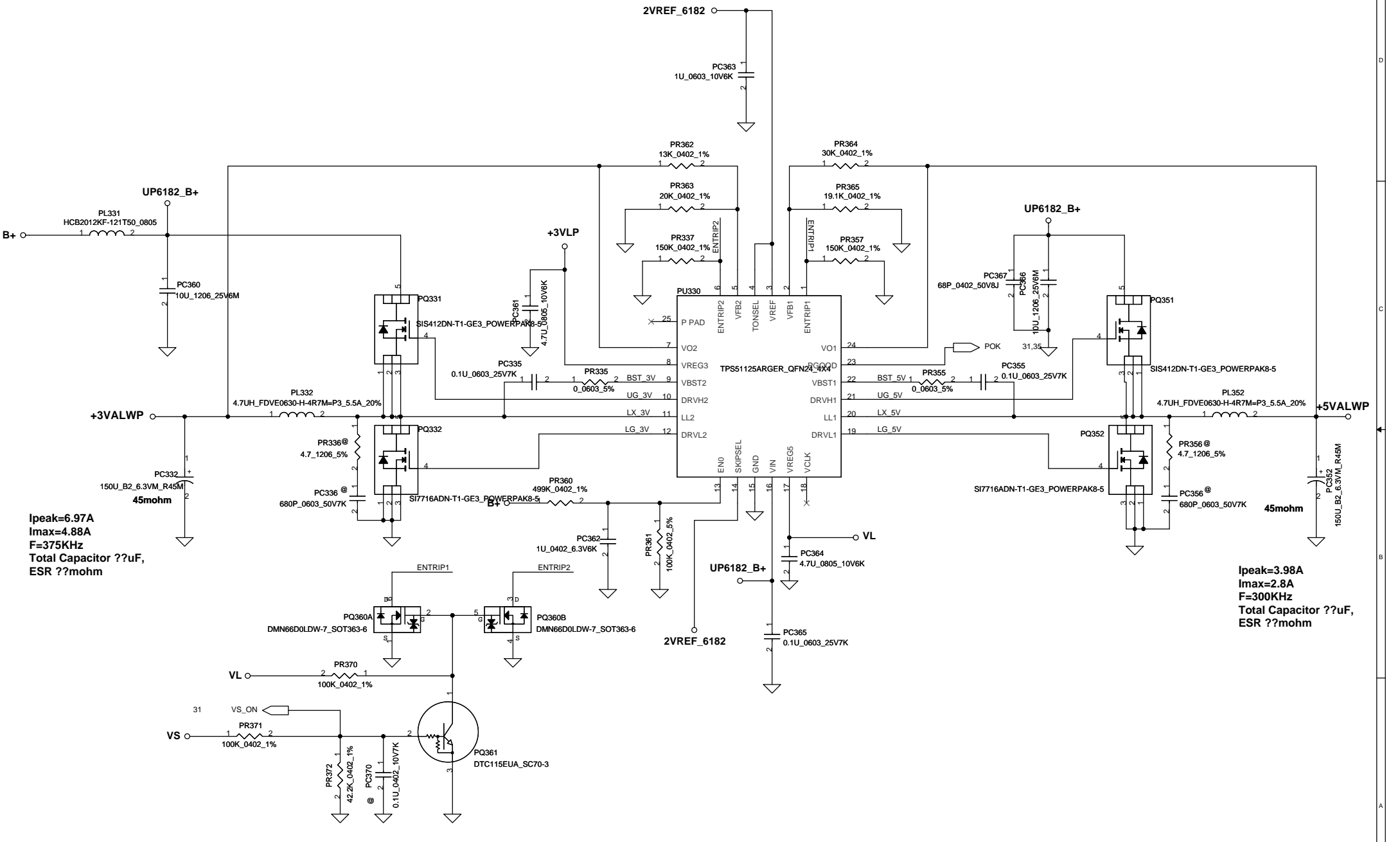
Iadapter=0-1.579A(30W) CP=Iadapter*0.92 CP=1.4526A

CC=0.25A-2A
 IREF=1.648*Icharge
 IREF=0.412V-3.296V
 VCHLIM need over 95mV

CHGVADJ=(Vcell-4)*9.445	
Vcell	CHGVADJ
4V	0V
4.2V	1.89V
4.35V	3.3V

CP mode
 $V_{aclim} = 2.39 * (20K // 152K // (20K // 152K + 24.9K // 152K)) = 1.0817V$
 $I_{input} = (1/0.02) * ((0.05 * V_{aclim}) / 2.39 + 0.05)$
 where $V_{aclim} = 1.0817V$, $I_{input} = 1.4526A$

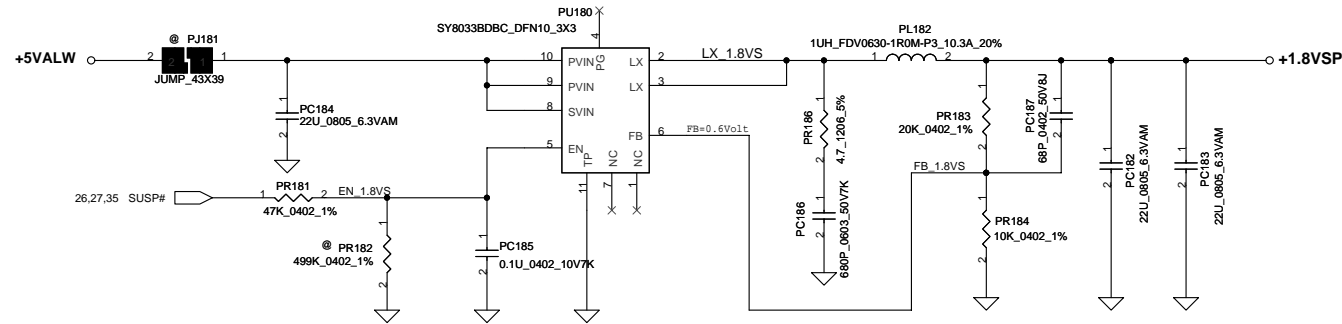
Vin Detector
 High 18.089V
 Low 17.44V



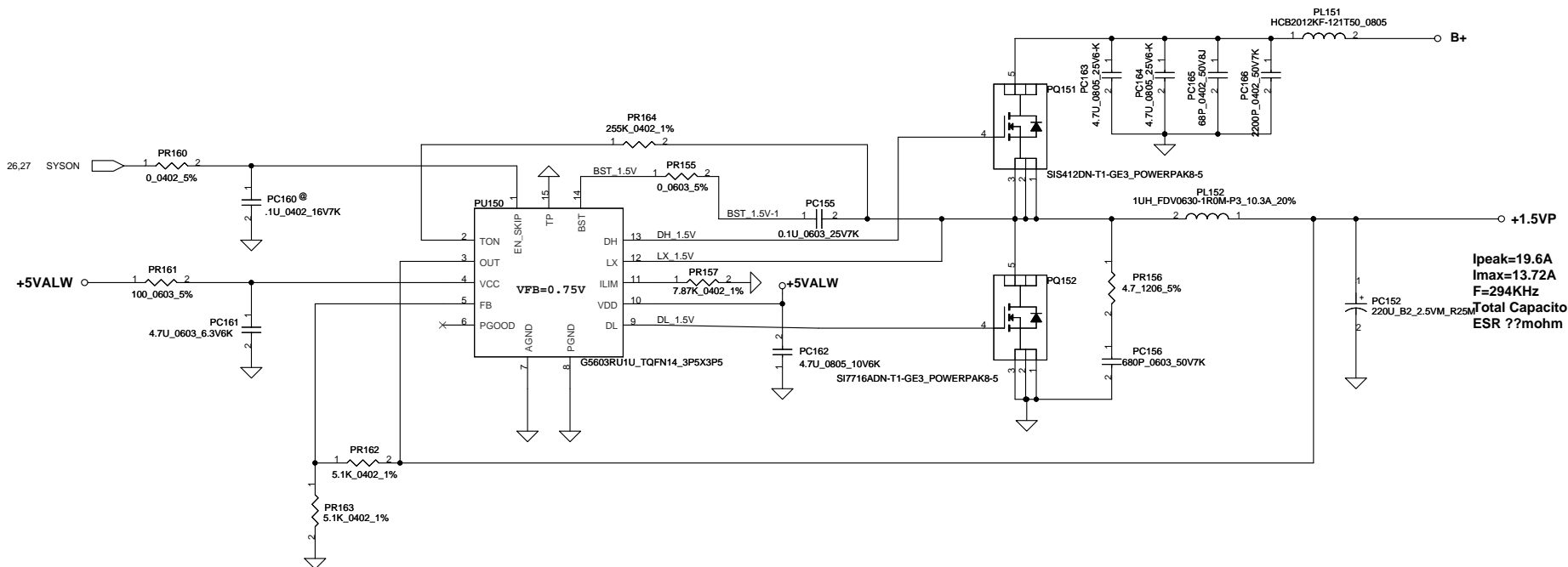
I_{peak}=6.97A
I_{max}=4.88A
F=375KHz
Total Capacitor ??uF,
ESR ??mohm

I_{peak}=3.98A
I_{max}=2.8A
F=300KHz
Total Capacitor ??uF,
ESR ??mohm

Security Classification		Compal Secret Data		Compal Electronics, Inc.	
Issued Date	2009/11/13	Deciphered Date	2009/04/28	Title	
				SCHEMATIC A6852	
THIS SHEET OF ENGINEERING DRAWING IS THE PROPRIETARY PROPERTY OF COMPAL ELECTRONICS, INC. AND CONTAINS CONFIDENTIAL AND TRADE SECRET INFORMATION. THIS SHEET MAY NOT BE TRANSFERRED FROM THE CUSTODY OF THE COMPETENT DIVISION OF R&D DEPARTMENT EXCEPT AS AUTHORIZED BY COMPAL ELECTRONICS, INC. NEITHER THIS SHEET NOR THE INFORMATION IT CONTAINS MAY BE USED BY OR DISCLOSED TO ANY THIRD PARTY WITHOUT PRIOR WRITTEN CONSENT OF COMPAL ELECTRONICS, INC.				Size	Document Number
				401990	
				Date:	Monday, February 20, 2012
				Sheet	31 of 37
				Rev	D

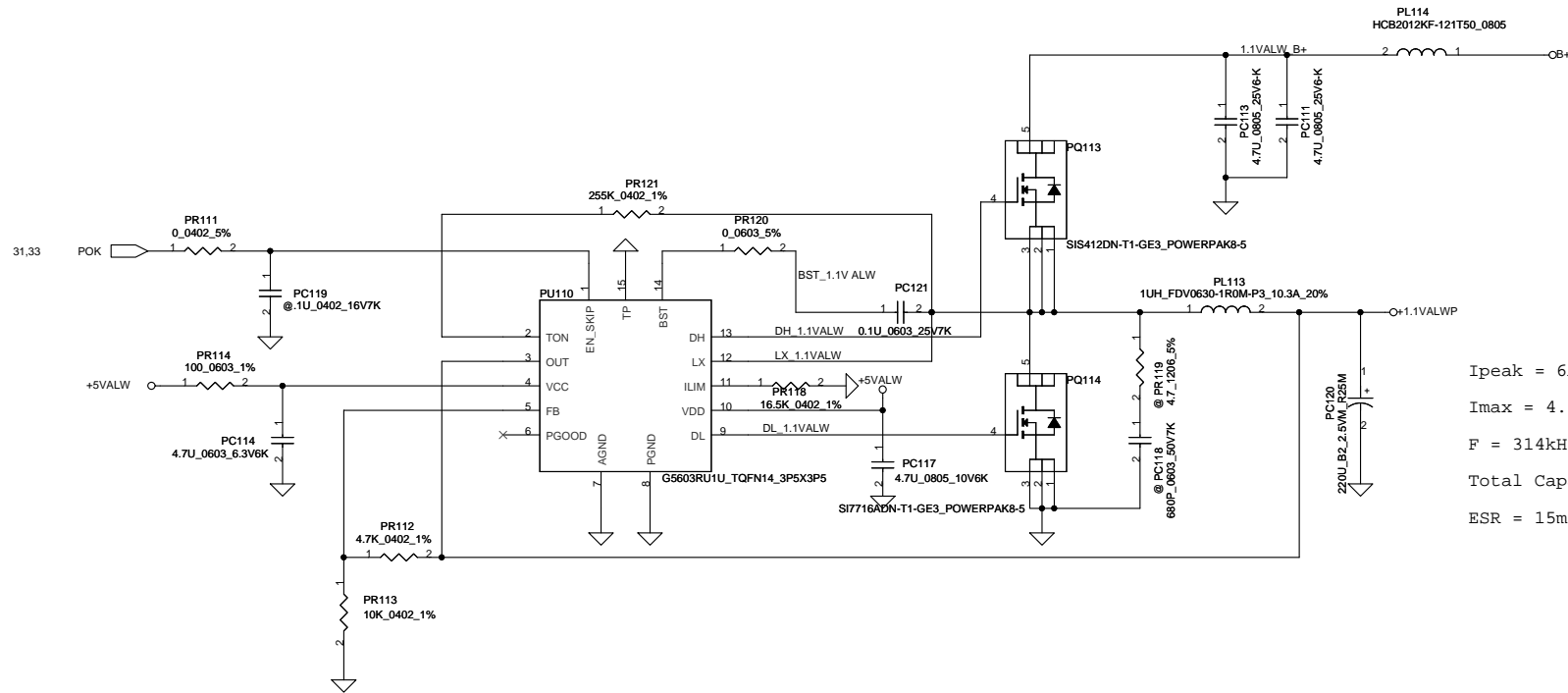


Ipeak=1.308A
 ILIM = 4A
 F=1MHz
 Total Capacitor ??uF,
 ESR ??mohm

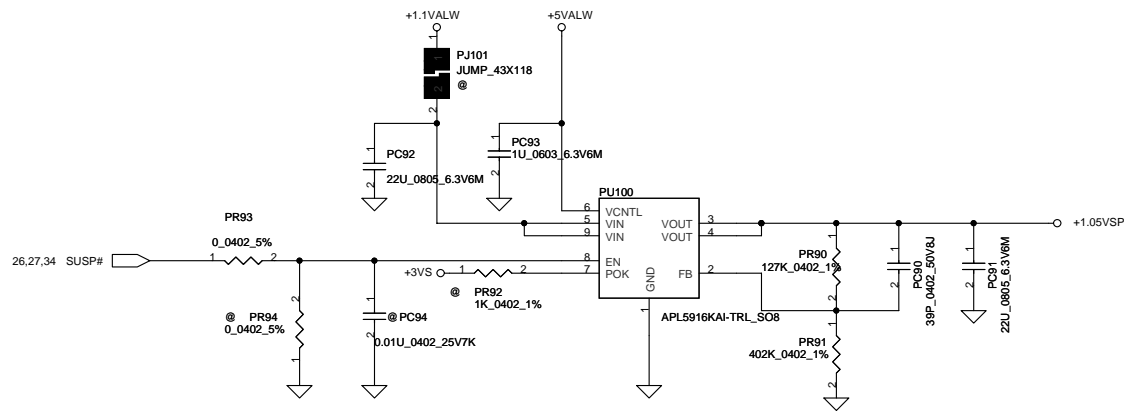


Ipeak=19.6A
 Imax=13.72A
 F=294KHz
 Total Capacitor ??uF,
 ESR ??mohm

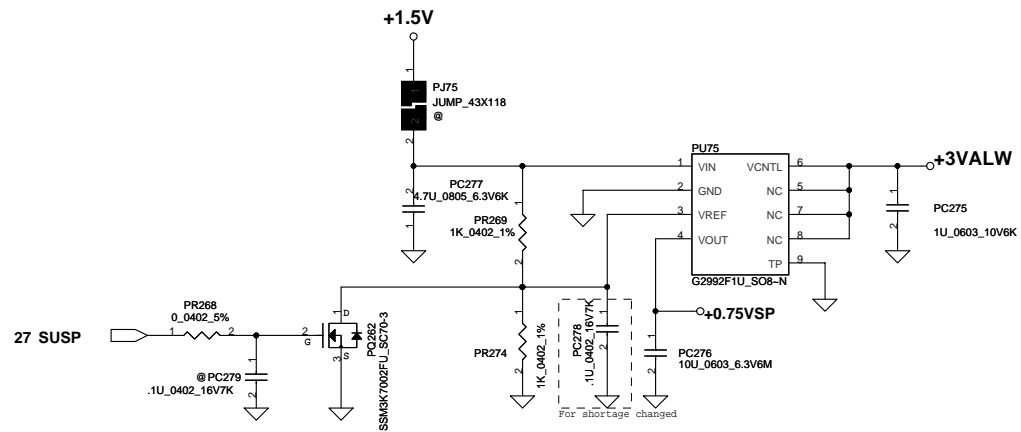
Security Classification		Compal Secret Data		Compal Electronics, Inc.	
Issued Date	2010/01/25	Deciphered Date	2009/04/28	Title	SCHEMATIC A6852
THIS SHEET OF ENGINEERING DRAWING IS THE PROPRIETARY PROPERTY OF COMPAL ELECTRONICS, INC. AND CONTAINS CONFIDENTIAL AND TRADE SECRET INFORMATION. THIS SHEET MAY NOT BE TRANSFERRED FROM THE CUSTODY OF THE COMPETENT DIVISION OF RESEARCH AND DEVELOPMENT DEPARTMENT EXCEPT AS AUTHORIZED BY COMPAL ELECTRONICS, INC. NEITHER THIS SHEET NOR THE INFORMATION IT CONTAINS MAY BE USED BY OR DISCLOSED TO ANY THIRD PARTY WITHOUT PRIOR WRITTEN CONSENT OF COMPAL ELECTRONICS, INC.					
Document Number	401990			Rev	D
Date:	Monday, February 20, 2012	Sheet	32	of	37



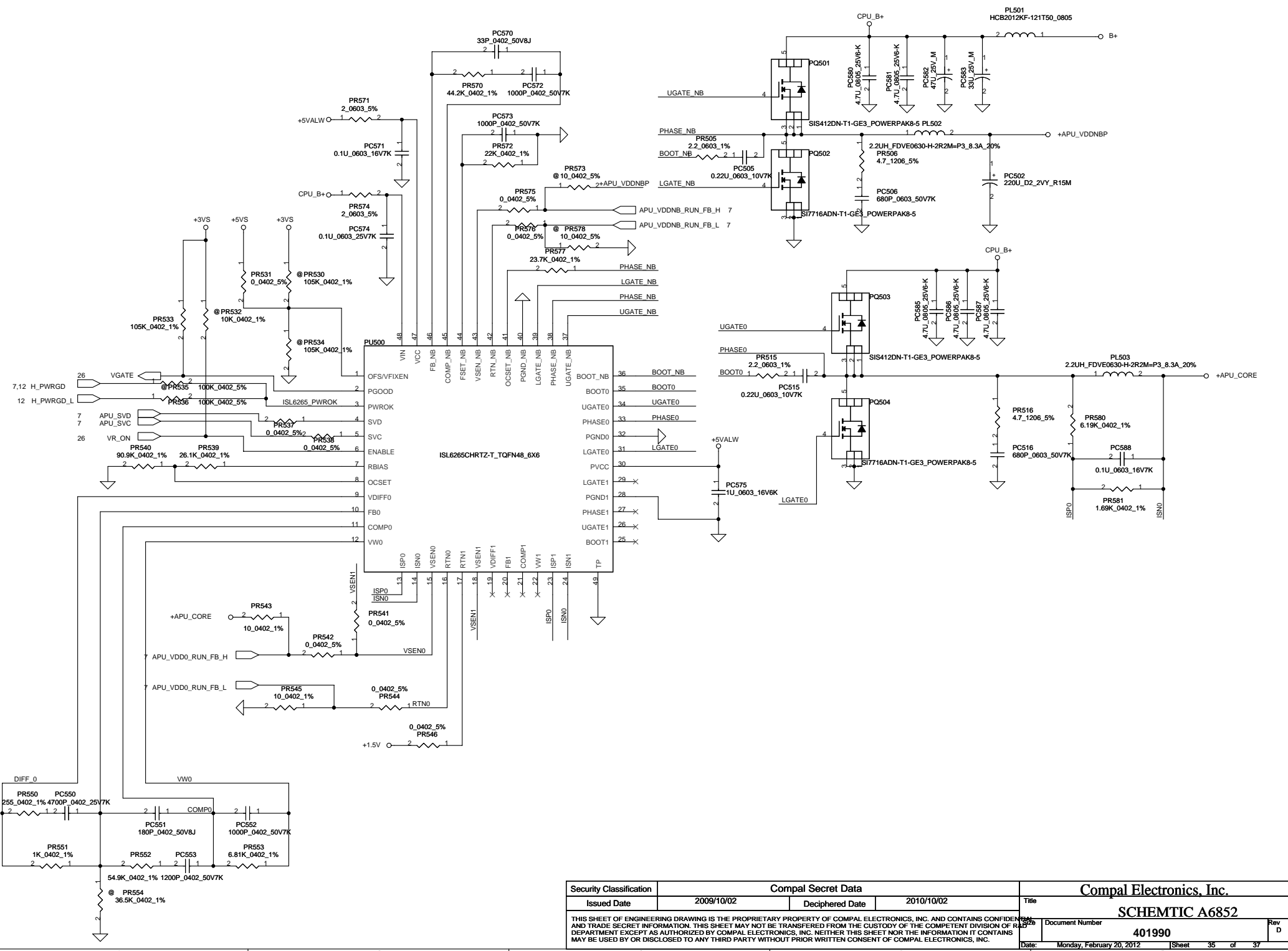
$I_{peak} = 6A$
 $I_{max} = 4.2A$
 $F = 314kHz$
 Total Capacitor = 550 uF
 ESR = 15m Ohm



Security Classification		Compal Secret Data		Compal Electronics, Inc.	
Issued Date	2010/01/25	Deciphered Date	2009/04/28	Title	SCHMATIC A6852
THIS SHEET OF ENGINEERING DRAWING IS THE PROPRIETARY PROPERTY OF COMPAL ELECTRONICS, INC. AND CONTAINS CONFIDENTIAL AND TRADE SECRET INFORMATION. THIS SHEET MAY NOT BE TRANSFERRED FROM THE CUSTODY OF THE COMPETENT DIVISION OF R&D DEPARTMENT EXCEPT AS AUTHORIZED BY COMPAL ELECTRONICS, INC. NEITHER THIS SHEET NOR THE INFORMATION IT CONTAINS MAY BE USED BY OR DISCLOSED TO ANY THIRD PARTY WITHOUT PRIOR WRITTEN CONSENT OF COMPAL ELECTRONICS, INC.					
Customer	Document Number	Rev	D	401990	
Date:	Monday, February 20, 2012	Sheet	33	of 37	



Security Classification	Compal Secret Data			Title	
Issued Date	2009/10/02	Deciphered Date	2010/10/02	SCHEMATIC A6852	
THIS SHEET OF ENGINEERING DRAWING IS THE PROPRIETARY PROPERTY OF COMPAL ELECTRONICS, INC. AND CONTAINS CONFIDENTIAL AND TRADE SECRET INFORMATION. THIS SHEET MAY NOT BE TRANSFERRED FROM THE CUSTODY OF THE COMPETENT DIVISION OF R&D DEPARTMENT EXCEPT AS AUTHORIZED BY COMPAL ELECTRONICS, INC. NEITHER THIS SHEET NOR THE INFORMATION IT CONTAINS MAY BE USED BY OR DISCLOSED TO ANY THIRD PARTY WITHOUT PRIOR WRITTEN CONSENT OF COMPAL ELECTRONICS, INC.				Document Number	Rev
				401990	D
Date:				Monday, February 20, 2012	Sheet 34 of 37



Security Classification	Compal Secret Data			Title
Issued Date	2009/10/02	Deciphered Date	2010/10/02	SCHEMATIC A6852
THIS SHEET OF ENGINEERING DRAWING IS THE PROPRIETARY PROPERTY OF COMPAL ELECTRONICS, INC. AND CONTAINS CONFIDENTIAL AND TRADE SECRET INFORMATION. THIS SHEET MAY NOT BE TRANSFERRED FROM THE CUSTODY OF THE COMPETENT DIVISION OF R&D DEPARTMENT EXCEPT AS AUTHORIZED BY COMPAL ELECTRONICS, INC. NEITHER THIS SHEET NOR THE INFORMATION IT CONTAINS MAY BE USED BY OR DISCLOSED TO ANY THIRD PARTY WITHOUT PRIOR WRITTEN CONSENT OF COMPAL ELECTRONICS, INC.				Document Number 401990
Date: Monday, February 20, 2012				Rev D
Sheet 35 of 37				

Version Change List (P. I. R. List) for Power Circuit

Page#	Title	Date	Request Owner	Issue Description	Solution Description
		2010/08/01	POWER		Release
P31	BATTERY CONN / OTP	2010/09/02	POWER	Add PD5,PD6 (For ESD)	DVT
P32	CHARGER	2010/09/02	POWER	Add PR246,PR247,PR248,PC223 (ADP_V)	DVT
P33	3VALWP/5VALWP	2010/09/02	POWER	PR337,PR357 change to 121k	DVT
P33	3VALWP/5VALWP	2010/09/02	POWER	PR365 change to 19.6k	DVT
P34	1.8VSP/1.5VP	2010/09/02	POWER	PR181 change to 150k, PC185 0.1uF	DVT
P35	1.1VALWP/1.0VSP	2010/09/02	POWER	PR91 change to 316k(For 1.05VSP)	DVT
P35	1.1VALWP/1.0VSP	2010/09/02	POWER	PC90 change to 39pF(1.05VSP)	DVT
P37	ACPU_CORE	2010/09/02	POWER	Add PR578 10_0402_5% , PR573 unpop.	DVT
P37	ACPU_CORE	2010/09/02	POWER	PR577 change to 23.7k	DVT
P37	ACPU_CORE	2010/09/02	POWER	PR539 change to 26.1k	DVT
P37	ACPU_CORE	2010/09/02	POWER	PR540 change to 90.9k	DVT
P37	ACPU_CORE	2010/09/02	POWER	PC551 change to 100pF	DVT
P37	ACPU_CORE	2010/09/02	POWER	PR546 change to 0_0402_5%	DVT
P37	ACPU_CORE	2010/09/02	POWER	PR580 change to 6.98k	DVT
P37	ACPU_CORE	2010/09/02	POWER	PR581 change to 1.87k	DVT
P32	CHARGER	2010/09/06	POWER	Add PC207,PC239 10uF (EMI)	DVT

Security Classification		Compal Secret Data		Title	
Issued Date	2009/10/02	Deciphered Date	2010/10/02	Compal Electronics, Inc.	
THIS SHEET OF ENGINEERING DRAWING IS THE PROPRIETARY PROPERTY OF COMPAL ELECTRONICS, INC. AND CONTAINS CONFIDENTIAL AND TRADE SECRET INFORMATION. THIS SHEET MAY NOT BE TRANSFERRED FROM THE CUSTODY OF THE COMPETENT DIVISION OF R&D DEPARTMENT EXCEPT AS AUTHORIZED BY COMPAL ELECTRONICS, INC. NEITHER THIS SHEET NOR THE INFORMATION IT CONTAINS MAY BE USED BY OR DISCLOSED TO ANY THIRD PARTY WITHOUT PRIOR WRITTEN CONSENT OF COMPAL ELECTRONICS, INC.				Size	Document Number
				custom	401990
				Date:	Monday, February 20, 2012
				Sheet	36 of 37
				Rev	D

Item	Reason for change	PG#	Modify List	Date	Phase
1	Update JLVDS1 footprint	P10	ME request	2009/12	EVT->DVT
2					EVT->DVT
3					EVT->DVT
4					EVT->DVT
5					EVT->DVT
6					EVT->DVT
7					EVT->DVT
8					EVT->DVT
9					EVT->DVT
10					EVT->DVT
11					EVT->DVT
12					EVT->DVT
13					EVT->DVT
14					EVT->DVT
15					EVT->DVT
16					EVT->DVT
17					EVT->DVT
18					EVT->DVT
19					EVT->DVT
20					EVT->DVT
21					EVT->DVT
22					EVT->DVT
23					EVT->DVT
24					EVT->DVT
25					EVT->DVT
26					EVT->DVT
27					EVT->DVT
28					EVT->DVT
29					EVT->DVT
30					EVT->DVT
31					EVT->DVT
32					EVT->DVT
33					EVT->DVT
34					EVT->DVT
35					EVT->DVT
36					EVT->DVT
37					EVT->DVT
38					EVT->DVT
39					EVT->DVT
40					EVT->DVT
41					EVT->DVT
42					EVT->DVT
43					EVT->DVT
44					EVT->DVT
45					EVT->DVT
46					EVT->DVT
47					EVT->DVT
49					EVT->DVT
49					EVT->DVT
50					EVT->DVT
51					EVT->DVT
52					EVT->DVT
53					EVT->DVT
54					EVT->DVT
55					EVT->DVT
56					EVT->DVT
57					EVT->DVT
58					EVT->DVT
59					EVT->DVT
60					EVT->DVT

Security Classification		Compal Secret Data		Title	
Issued Date	2006/03/10	Deciphered Date	2006/03/10	Compal Electronics, Inc.	
<small>THIS SHEET OF ENGINEERING DRAWING IS THE PROPRIETARY PROPERTY OF COMPAL ELECTRONICS, INC. AND CONTAINS CONFIDENTIAL AND TRADE SECRET INFORMATION. THIS SHEET MAY NOT BE TRANSMITTED FROM THE CUSTODY OF THE COMPANY OR DIVISION OF THE COMPANY WITHOUT THE WRITTEN PERMISSION OF COMPAL ELECTRONICS, INC. WITHIN THE RESTRICTIONS OF THE COMPANY'S POLICY ON INFORMATION SECURITY. THIS SHEET IS THE PROPERTY OF COMPAL ELECTRONICS, INC. AND IS NOT TO BE REPRODUCED OR TRANSMITTED IN ANY FORM OR BY ANY MEANS, ELECTRONIC OR MECHANICAL, INCLUDING PHOTOCOPYING, RECORDING, OR BY ANY INFORMATION STORAGE AND RETRIEVAL SYSTEM, WITHOUT THE WRITTEN PERMISSION OF COMPAL ELECTRONICS, INC.</small>				Document Number	Rev
				401990	D
<small>DATE: Monday, February 20, 2012 11:44:37 AM</small>					