




**ICH6 GPIO SETTING**

Pin	Pin Name	Connect to	Type	Input/Output Set
B7	GPIO/REQ6#	10K Pull +3V	I	fixed as Input only
E8	GPI1 / REQ5#	10K Pull +3V	I	fixed as Input only
D9	GPI2 / PIRQE#	10K Pull +3V	I	fixed as Input only
C7	GPI3 / PIRQF#	10K Pull +3V	I	fixed as Input only
C6	GPI4 / PIRQG#	10K Pull +3V	I	fixed as Input only
M3	GPI5 / PIRQH#	10K Pull +3V	I	fixed as Input only
AD19	GPI6 / BMBUSY#	NB BMBUSY#	I	Input
AE19	GPI7	NC	GPI	fixed as Input only
R1	GPI8	EC KBC_SC#	GPI	fixed as Input only
C23	GPI9/OC4#	10K Pull +3V	I	Input
D23	GPI10/OC5#	10K Pull +3V	I	Input
W6	GPI11 / SMBALERT#	10K Pull +3V	I	Input
M2	GPI12	NC	GPI	fixed as Input only
R6	GPI13	EC EXTSM#	GPI	fixed as Input only
C25	GPI14/OC6#	10K Pull +3V	I	Input
C24	GPI15 /OC7#	10K Pull +3V	I	Input
D8	GPO16/GTN6#	NC	O	Output
F6	GPO17 / GNT5#	NC	O	Output
AC21	GPO18 / STP_PC#	Clock GEN STP_PC#	O	Output
AB21	GPO19	WLAN_LED#	GPO	fixed as Output only
AD22	GPO20 / STP_CPU#	STP_CPU#	O	Output
AD20	GPO21	NC	GPO	fixed as Output only
NA	GPIO22	NA	NA	NA
AD21	GPO23	NC	GPO	fixed as Output only
V3	GPIO24	WLAN	I/O	Output
P5	GPIO25	NC	I/O	Output

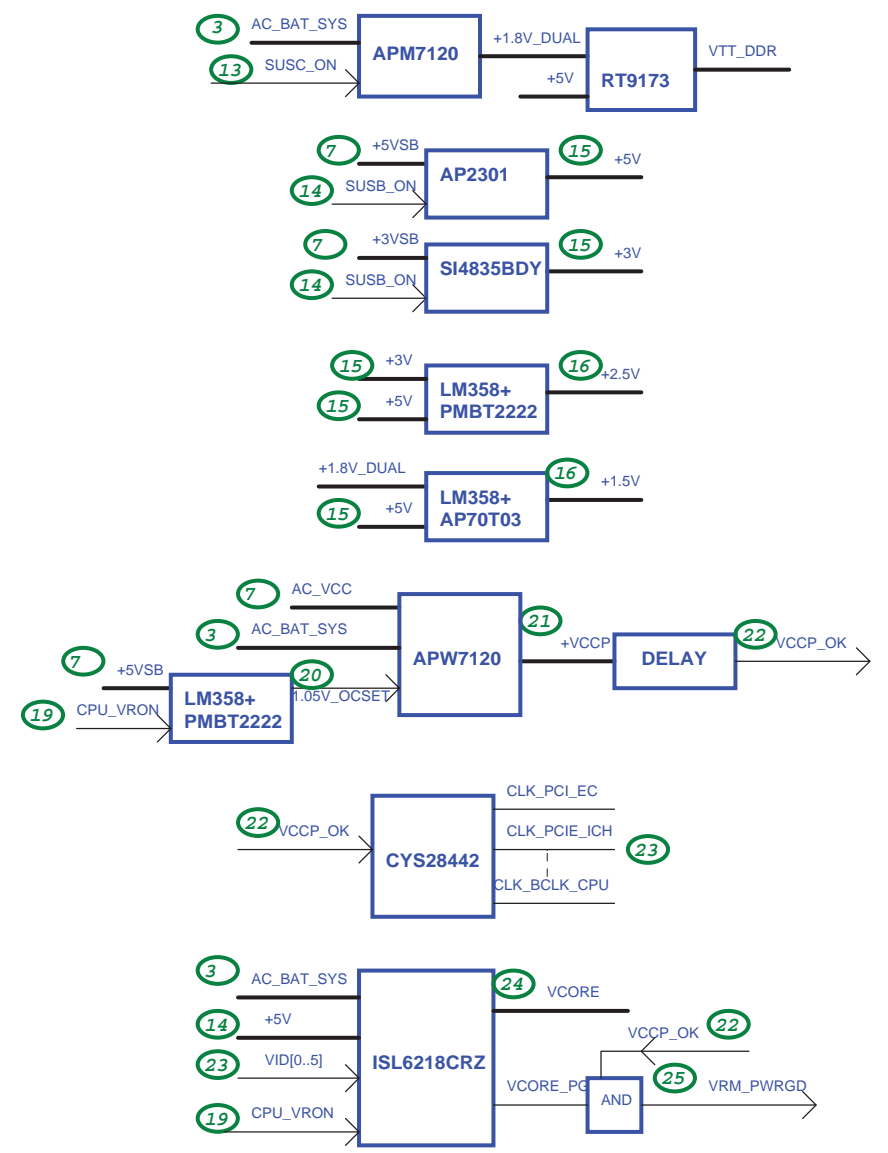
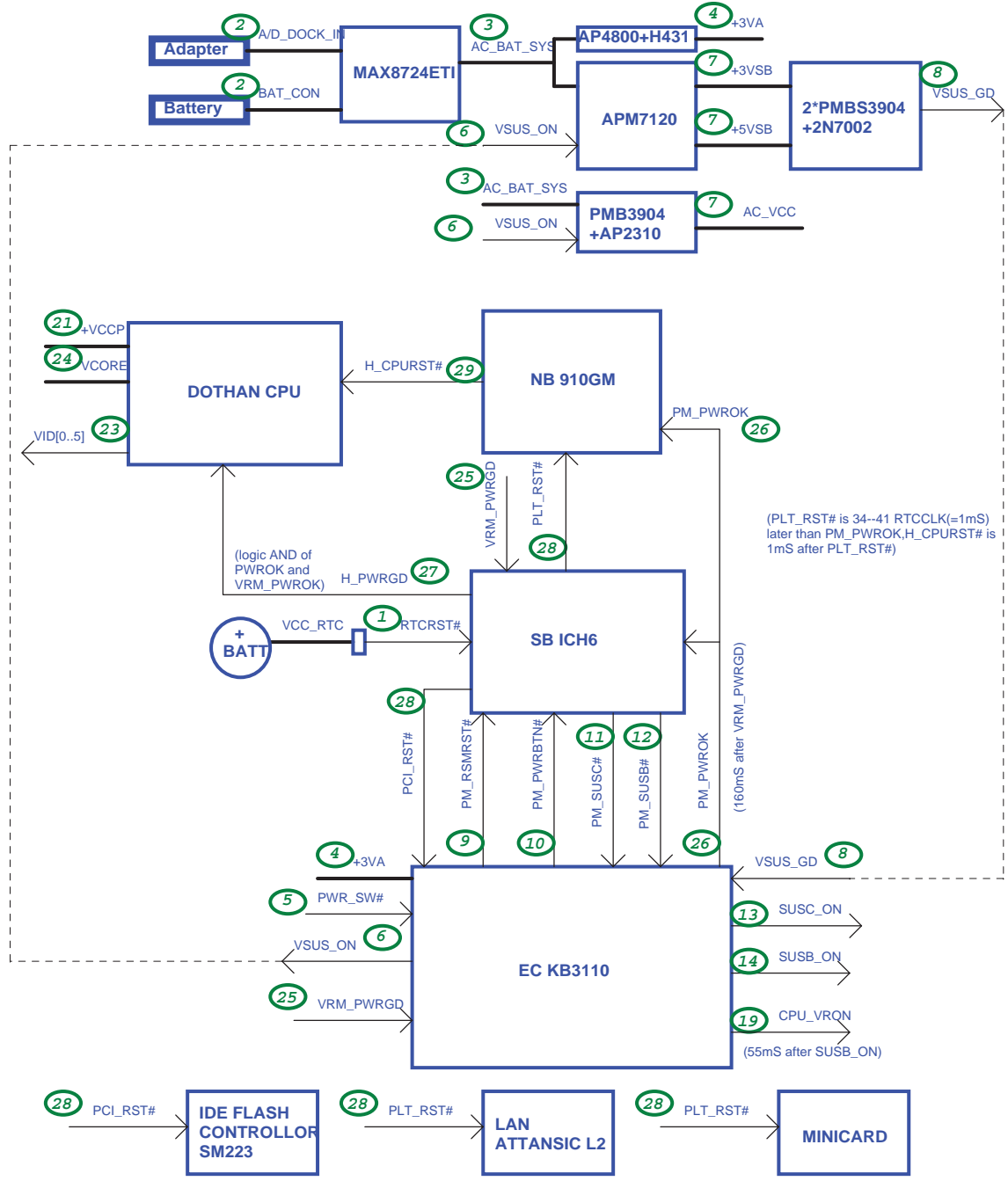
Pin	Pin Name	Connect to	Type	Input/Output Set
AF17	GPI26/SATA0GP	NC	GPI	(GPI)Input
R3	GPIO27	NC	I/O	Output
T3	GPIO28	NC	I/O	Output
AE18	GPI29 / SATA1GP	PCBVER0	GPI	(GPI)Input
AF18	GPI30 / SATA2GP	NC	GPI	(GPI)Input
AG18	GPI31 / SATA3GP	PCBVER1	GPI	(GPI)Input
AF19	GPIO32 / CLKRUN#	10K Pull +3V	I/O	Input
AF20	GPIO33	NC	I/O	Output
AC18	GPIO34	NC	I/O	Output
NA	GPIO35	NA	NA	NA
NA	GPIO36	NA	NA	NA
NA	GPIO37	NA	NA	NA
NA	GPIO38	NA	NA	NA
NA	GPIO39	NA	NA	NA
F7	GPI40 / REQ4#	10K Pull +3V	I	Input
P4	GPI41 / LDRQ1#	NC	I	Input
NA	GPIO42	NA	NA	NA
NA	GPIO43	NA	NA	NA
NA	GPIO44	NA	NA	NA
NA	GPIO45	NA	NA	NA
NA	GPIO46	NA	NA	NA
NA	GPIO47	NA	NA	NA
E7	GPO48 /GNT4#	NC	O	Output
AC25	GPO49 / CPUPWRGD	CPU Power Ok	O	Output

<Variant Name>

		<b>Title : System Setting</b>	
ASUSTek Computer INC.		Engineer: <b>Kell_Huang</b>	
Size A3	Project Name <b>701SDX_MB</b>	Rev R1.1G	
Date: Wednesday, August 13, 2008		Sheet	2 of 49

\*This sequence is for Battery Plug-in and no Adapter, if Adapter Plug-in, the sequence change to: A/D\_DOCK\_IN-->AC\_BAT\_SYS-->+3VA-->VSUS\_ON-->+3VSB & +5VSB -->VSUS\_GD-->PM\_REMRST#-->PWR\_SW#-->PM\_PWRBTN-->PM\_SUSC#-->PM\_SUSB#

	Signal	S0/S1	S3	S4/S5	Power
Only Battery	VSUS_ON	H	H	L	VSB
Adapter In	VSUS_ON	H	H	H	VSB
	SUSB_ON	H	L	L	Main
	SUSC_ON	H	H	L	DUAL



## EC KB3310 GPIO SETTING

Pin No.	Pin Name	Signal Name	Type	NOTE
1	GA20	A20GATE	O	A20GATE
2	KBRST#	RC_IN#	O	KBRST#
6	<b>GPIO04</b>	<b>CTRL_CAMER_PWR</b>	I	Default : High
13	PCIRST#	PCI_RST#	I	PCI Reset
14	GPIO07	N.C	O	Reserved
15	GPIO08	EXTSM#	O	EXTSM#, 10K Pull +3VSUS
16	GPIO0A	LID_EC#	I	LID_EC#, *
17	GPIO0B	LCD_CSB	O	LCD chip select
18	GPIO0C	LCD_SDA	I/O	LCD Data
19	GPIO0D	DISTP_SW#	I	Touch Pad Disabled,*
20	SC#	KBC_SC#	O	KBC_SC#, 10K Pull +3VSUS
21	PWM1	BL_PWM_DA	O	LCD Light Switch
23	PWM2	LCD_SCL	O	LCD clock
25	GPIO11	PM_PWRBTN#	OD	Power Button to SB, *
26	FANPWM1	FAN0_PWM	O	CPU Fan(Unused)
27	FANPWM2	FAN1_PWM	O	VGA Fan(Unused)
28	FANFB1	FAN0_TACH	I	CPU FanTach(Unused)
29	FANFB2	FAN1_TACH	I	VGA FanTach(Unused)
30	GPIO16	E51_TX	O	RS232 debug port
31	GPIO17	N.C	O	Reserved
32	GPIO18	PWR_SW#	I	power button, *
34	GPIO19	MAIL_LED#	O	Mail LED(Unused)
36	<b>GPIO1A</b>	<b>CTRL_Mincard_PWR</b>	O	Default : High
38	CLKRUN#	N.C	O	Reserved
39	KSO0	KSO0	O	For Keyboard interface
40	KSO1	KSO1	O	For Keyboard interface
41	KSO2	KSO2	O	For Keyboard interface
42	KSO3	KSO3	O	For Keyboard interface
43	KSO4	KSO4	O	For Keyboard interface
44	KSO5	KSO5	O	For Keyboard interface
45	KSO6	KSO6	O	For Keyboard interface
46	KSO7	KSO7	O	For Keyboard interface
47	KSO8	KSO8	O	For Keyboard interface
48	KSO9	KSO9	O	For Keyboard interface
49	KSO10	KSO10	O	For Keyboard interface
50	KSO11	KSO11	O	For Keyboard interface
51	KSO12	KSO12	O	For Keyboard interface
52	KSO13	KSO13	O	For Keyboard interface
53	KSO14	KSO14	O	For Keyboard interface
54	KSO15	KSO15	O	For Keyboard interface
55	KSI0	KSI0	I	For Keyboard interface
56	KSI1	KSI1	I	For Keyboard interface
57	KSI2	KSI2	I	For Keyboard interface
58	KSI3	KSI3	I	For Keyboard interface
59	KSI4	KSI4	I	For Keyboard interface
60	KSI5	KSI5	I	For Keyboard interface
61	KSI6	KSI6	I	For Keyboard interface
62	KSI7	KSI7	I	For Keyboard interface
63	AD0	P_PMON_10	I	Sense Power Loading
64	AD1	BAT_IN	I	sense Battery
65	AD2	N.C	I	Reserved
66	AD3	N.C	I	Reserved
68	GPO3C	DOC	O	Trigger Clock Gen


<http://hobi-elektronika.net>

Pin No.	Pin Name	Signal Name	Type	NOTE
70	GPO3D	LCD_BACKOFF#	O	LCD_BACKOFF#
71	GPO3E	CLK_PWRSERVE#	O	Active when BAT_IN=1 and AC_OK=0(Unused)
72	GPO3F	BAT_LL#	O	Battery Low Low
73	GPIO40	AC_OK	I	AC Adaptor Plug in
74	GPIO41	PM_RSMRST#	O	10K Pull GND
75	GPIO42	N.C	O	Reserved
76	GPIO43	N.C	O	Reserved
77	SCL1	SMB0_CLK	I/OD	4.7K Pull +3VA_EC
78	SDA1	SMB0_DAT	I/OD	4.7K Pull +3VA_EC
79	SCL2	SMB1_CLK	I/OD	10K Pull +3VS
80	SDA2	SMB1_DAT	I/OD	10K Pull +3VS
81	KSO16	N.C	O	Reserved
82	KSO17	N.C	O	Reserved
83	PSCLK1	N.C	O	Reserved
84	PSDAT1	N.C	O	Reserved
85	PSCLK2	N.C	O	Reserved
86	PSDAT2	N.C	O	Reserved
87	PSCLK3	TP_CLK	I/OD	10K Pull +3VS
88	PSDAT3	TP_DAT	I/OD	10K Pull +3VS
89	GPIO50	BATSEL_3S	O	Battery series. Hi:3S, Lo:4S(Unused)
90	GPIO52	CHG_LED_UP#	O	charger LED
91	<b>GPIO53</b>	<b>CTRL_L2_PWR</b>	O	Default : High
92	GPIO54	PWR_LED_UP	O	EC H/W blinking
93	GPIO55	SCRL_LED#	O	EC H/W controls
95	GPIO56	PWR4G_SW#	I	*
97	GPXOA00	SPI_MODE#	O	*HW Strap for SPI Flash de External Pull Down 100K ohm to GND*
98	GPXOA01	SUSC_ON	O	
99	GPXOA02	VSUS_ON	O	
100	GPXOA03	CPU_VRON	O	
101	GPXOA04	SUSB_ON	O	
102	GPXOA05	ICH8_PWROK	O	
103	GPXOA06	N.C	O	Reserved
104	GPXOA07	CHG_EN#	O	Battery charging enabled
105	GPXOA08	PRECHG	O	
106	GPXOA09	SPL_WP#	O	
107	GPXOA10	OP_SD#	O	Audio OP
108	GPXOA11	BAT_LEARN	O	
109	GPXID0	BATSEL_2P#	O	Battery parallel. Hi:1P, Lo:2P-3P
110	GPXID1	N.C	O	Reserved
112	GPXID2	THRO_CPU	O	Active if Battery Temperature is
114	GPXID3	SUSB#	I	Pull Down 100K ohm to GND
115	GPXID4	SUSC#	I	Pull Down 100K ohm to GND
116	GPXID5	CPUPWR_GD	I	10K Pull +3VS
117	GPXID6	VSUS_GD	I	Disabled **
118	GPXID7	N.C	O	Reserved
121	GPIO57	INTERNET#	I	*
126	SPICLK	SPI_CLK	O	SPI Clock
127	GPIO59	N.C	O	Reserved

## EC KB3310 Other Pin SETTING

Pin No.	Pin Name	Signal Name	Type	NOTE
3	SERIRQ	INT_SERIRQ	I/OD	8.2K Pull +3VS
4	LFRAME#	LPC_FRAME#	I	
5	LAD3	LPC_AD3	I/O	
7	LAD2	LPC_AD2	I/O	
8	LAD1	LPC_AD1	I/O	
9	VCC	+3VA_EC	P	
10	LAD0	LPC_AD0	I/O	
11	GND	GND	P	
12	PCICLK	CLK_PCI_EC	I	
22	VCC	+3VA_EC	P	
24	GND	GND	P	
33	VCC	+3VA_EC	P	
35	GND	GND	P	
37	ECRST#	EC_RST#	I	Add 100K ohm to GND
67	AVCC	+3VACC	P	
69	AGND	AGND	P	
94	GND	GND	P	
96	VCC	+3VA_EC	P	
111	VCC	+3VA_EC	P	
113	GND	GND	P	
119	RD#	SPI_SO	I	
120	WR#	SPI_SI	O	
112	XCLKI	32KXCLKI	I	
123	XCLKO	32KXCLKO	O	
124	V18R	K_V18R		Reserved 1uF to GND
125	VCC	+3VA_EC	P	
128	SPICS#	SPI_CE#	O	


<Variant Name>

		<b>Title : EC Pin Define</b>	
ASUSTek Computer INC.		Engineer: <b>Kell_Huang</b>	
Size	Project Name	Rev	
A3	<b>701SDX_MB</b>	R1.1G	
Date: Wednesday, August 13, 2008		Sheet	4 of 49

CIRCUIT UPDATED HISTORY

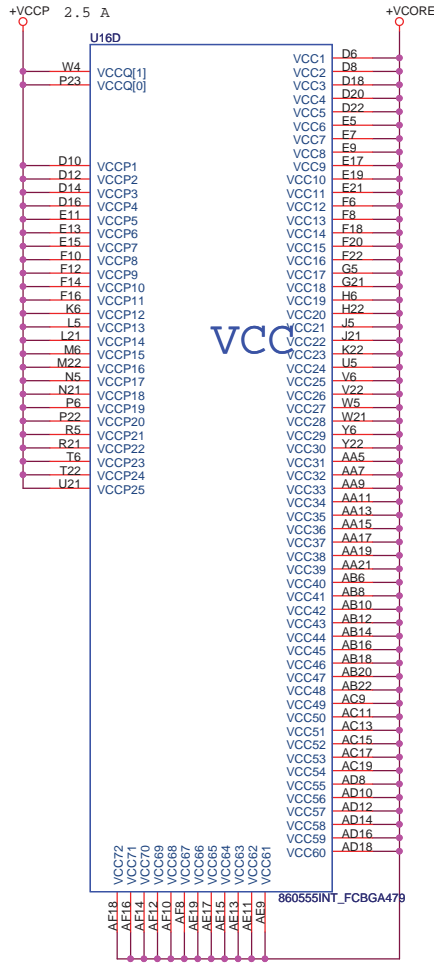
Rev	Date	Description
1.0G		P704 Schematic 1.0G Beginning
701SD-4G 1.0G	2008.7.1	701SD-4G Schematic 1.0G Beginning  1.change the DIMM to onboard SDRAM  2.Add onboard Flash & controller,delete mini-PCIE connector  3.Delete Modem.

<Variant Name>

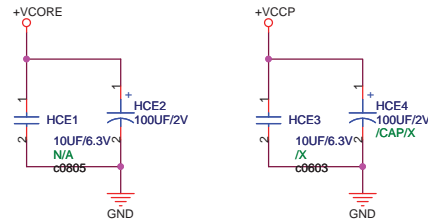
		<b>Title :</b> History	
ASUSTek Computer INC.		<b>Engineer:</b> <i>Kell_Huang</i>	
Size A3	Project Name <b>701SDX_MB</b>		Rev R1.1G
Date: Wednesday, August 13, 2008		Sheet 5 of 49	



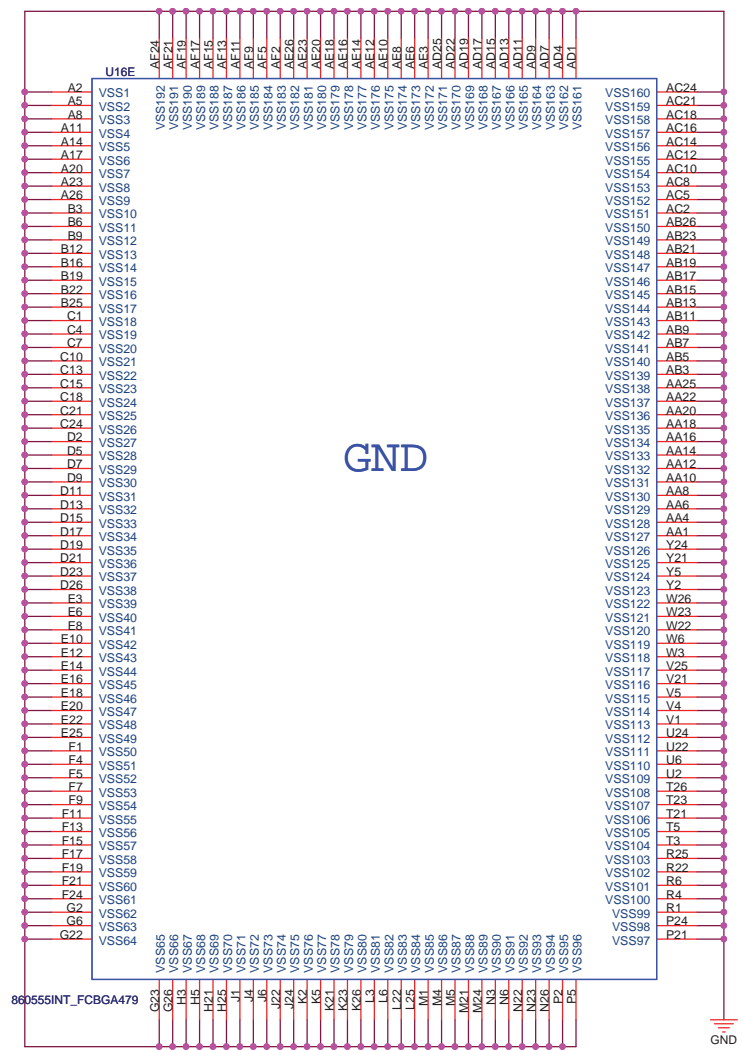
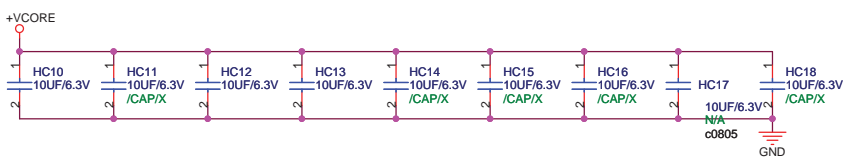
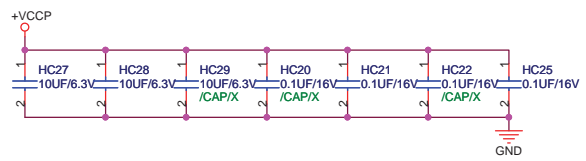
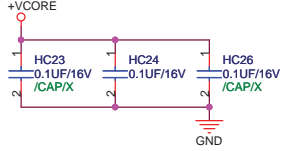




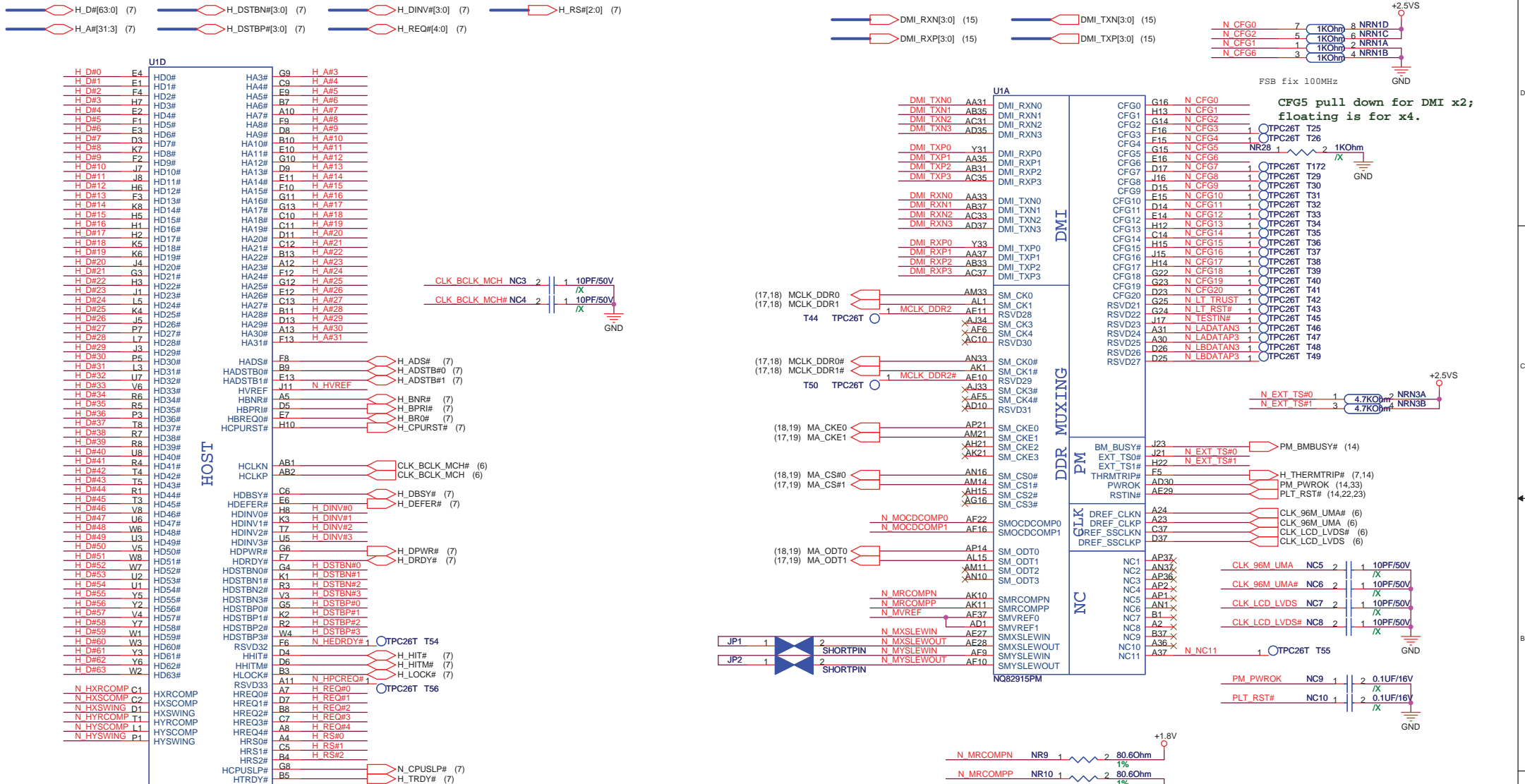
Celeron-M(Dothan) ULV max 7 A



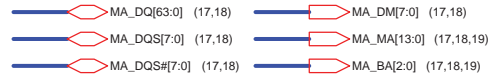
0.1u All x7R







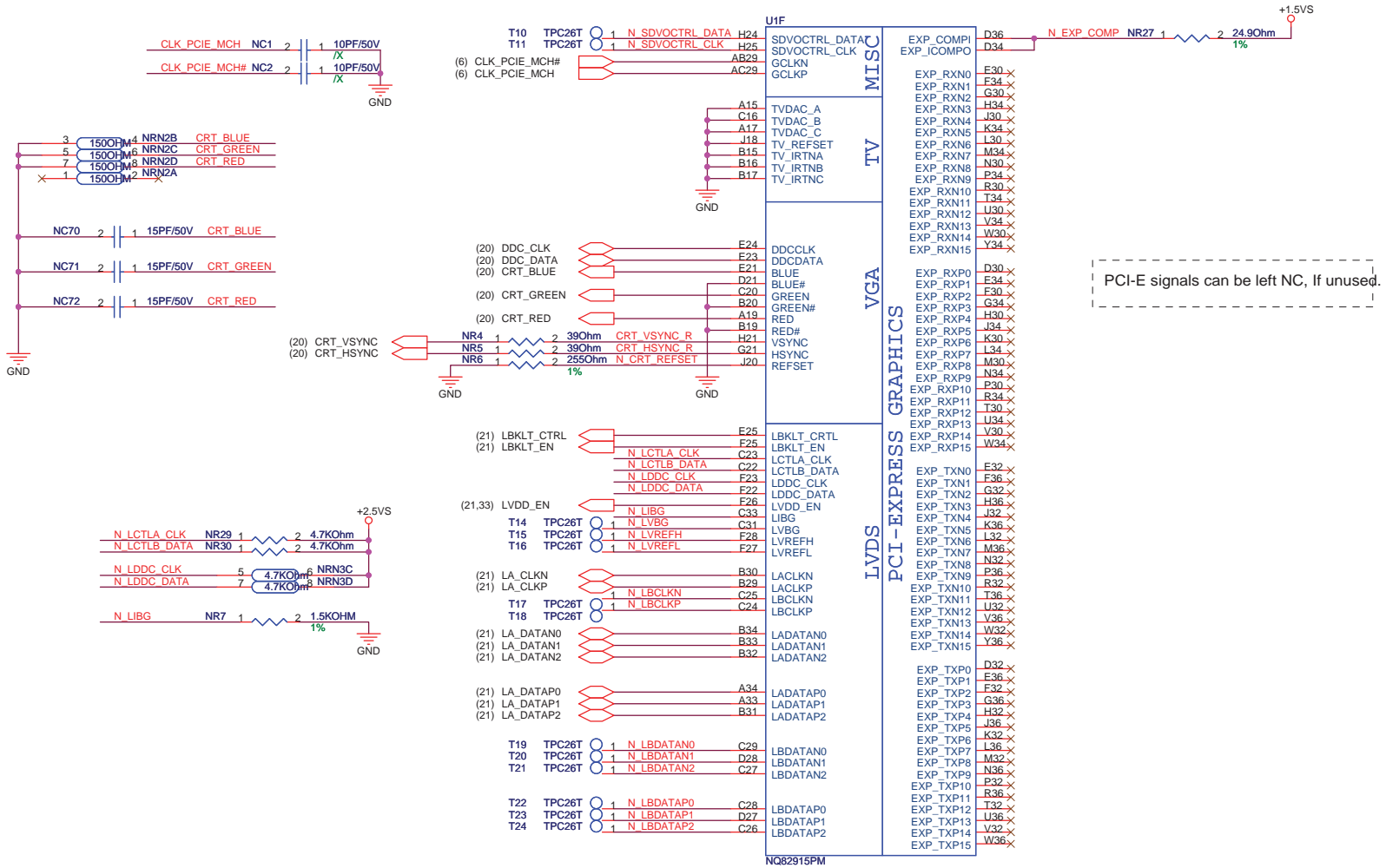
<b>ASUS</b>		Title : 910GML_HOST_DMI	
ASUSTek Computer INC.		Engineer: <i>Kell Huang</i>	
Size	Project Name		Rev
A3	<b>701SDX_MB</b>		R1.1G
Date: Wednesday, August 13, 2008			
Sheet		9 of 49	

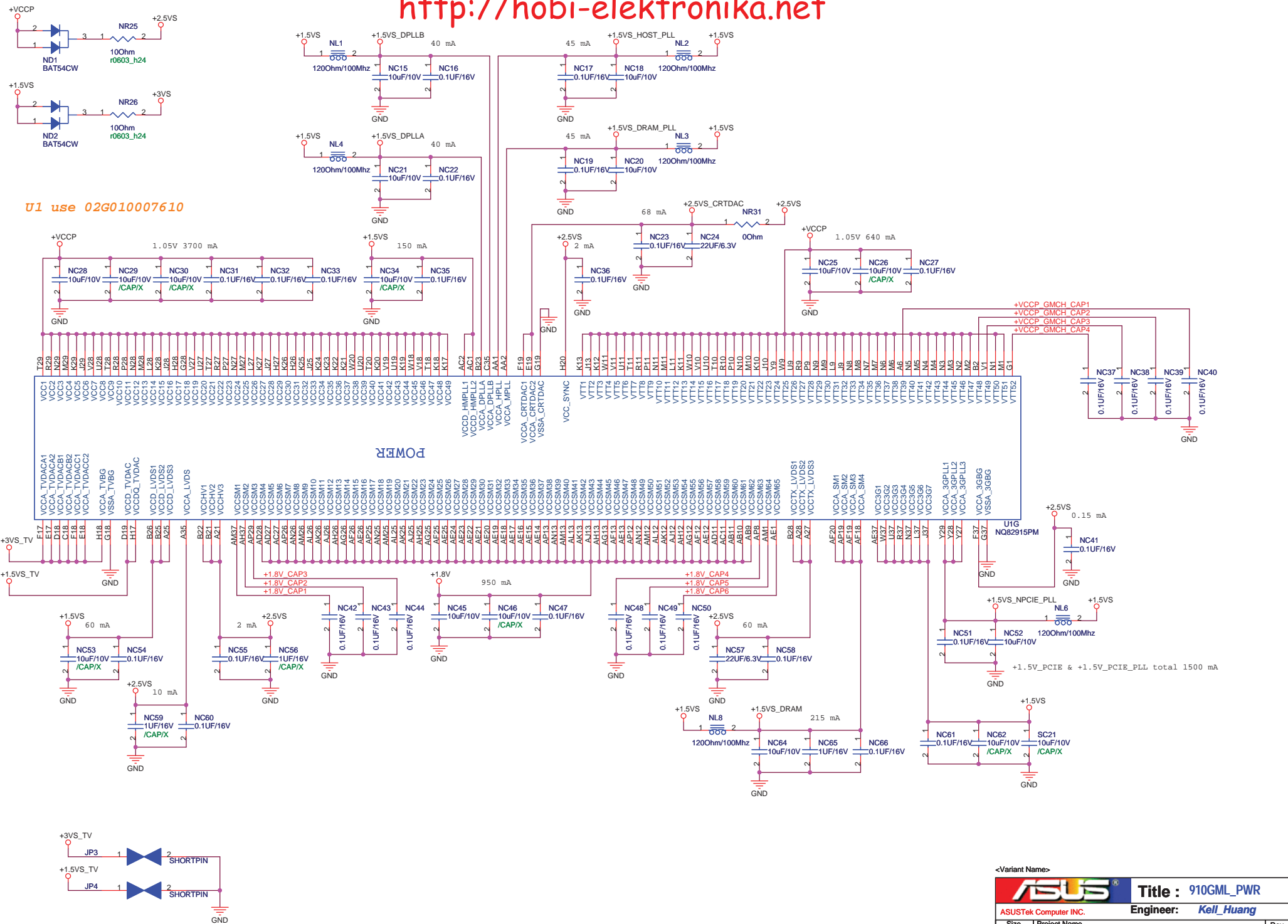


SDVO Smbus have internal pull down

SDVOCTRL\_DATA Int PD  
 0 : No SDVO device  
 1 : SDVO device present

U1 use 02G010007610





U1 use 02G010007610

POWER

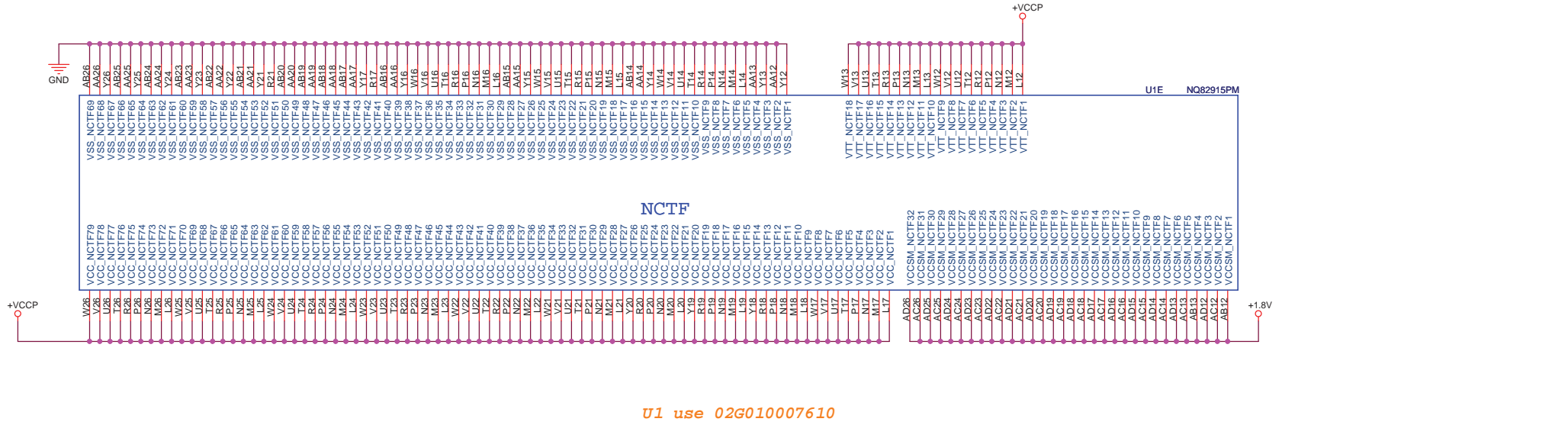
<Variant Name>

**ASUS** Title : 910GML\_PWR

ASUSTek Computer INC. Engineer: Keli\_Huang

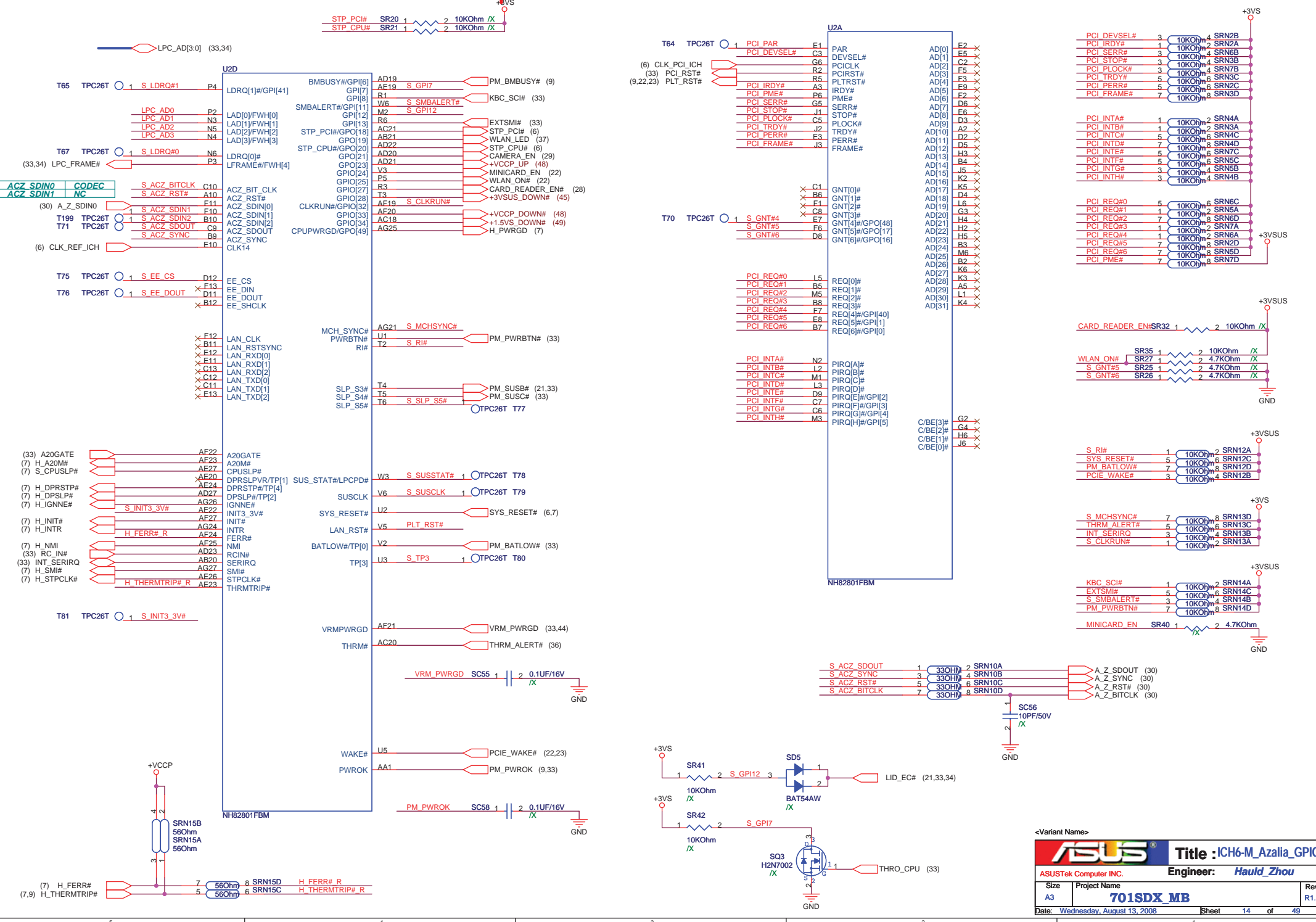
Size	Project Name	Rev
A3	701SDX_MB	R1.1G

Date: Wednesday, August 13, 2008 Sheet 12 of 49



<Variant Name>

<b>ASUS</b>		<b>Title : 910GML_GND</b>	
ASUSTek Computer INC.		Engineer: <i>Kell_Huang</i>	
Size	Project Name		Rev
A3	<b>701SDX_MB</b>		R1.1G
Date: Wednesday, August 13, 2008		Sheet	13 of 49



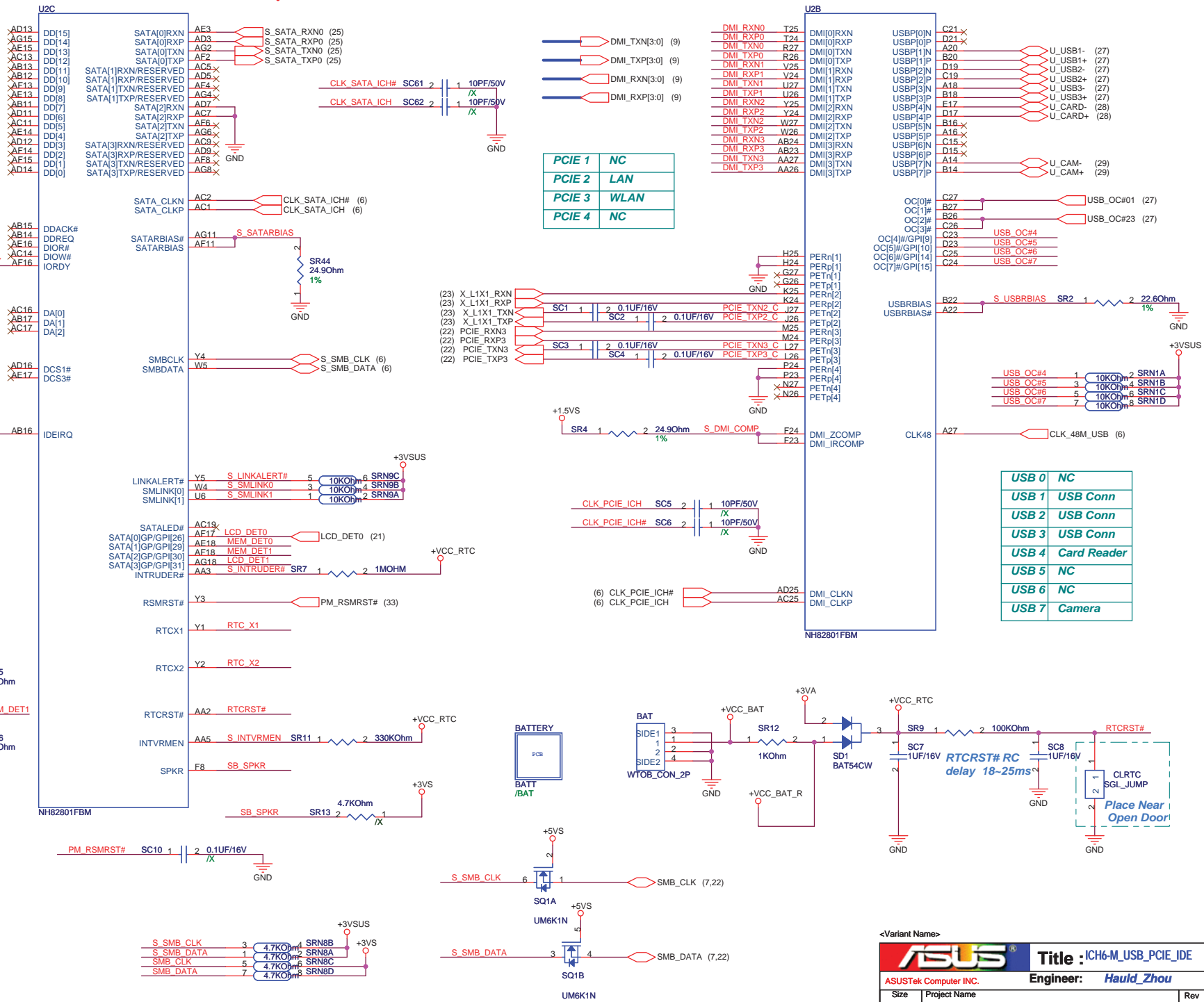
<-Variant Name>

**ASUS** Title : ICH6-M\_Azalia\_GPIO

ASUSTek Computer INC. Engineer: Hauld\_Zhou

Size	Project Name	Rev
A3	701SDX_MB	R1.1G

Date: Wednesday, August 13, 2008 Sheet 14 of 49



LCD_DET1	LCD_DET0	PANNEL
0	0	HannStar
0	1	AUO 4G
1	0	AUO 4G
1	1	AUO 3.5G

PCIE 1	NC
PCIE 2	LAN
PCIE 3	WLAN
PCIE 4	NC

USB 0	NC
USB 1	USB Conn
USB 2	USB Conn
USB 3	USB Conn
USB 4	Card Reader
USB 5	NC
USB 6	NC
USB 7	Camera

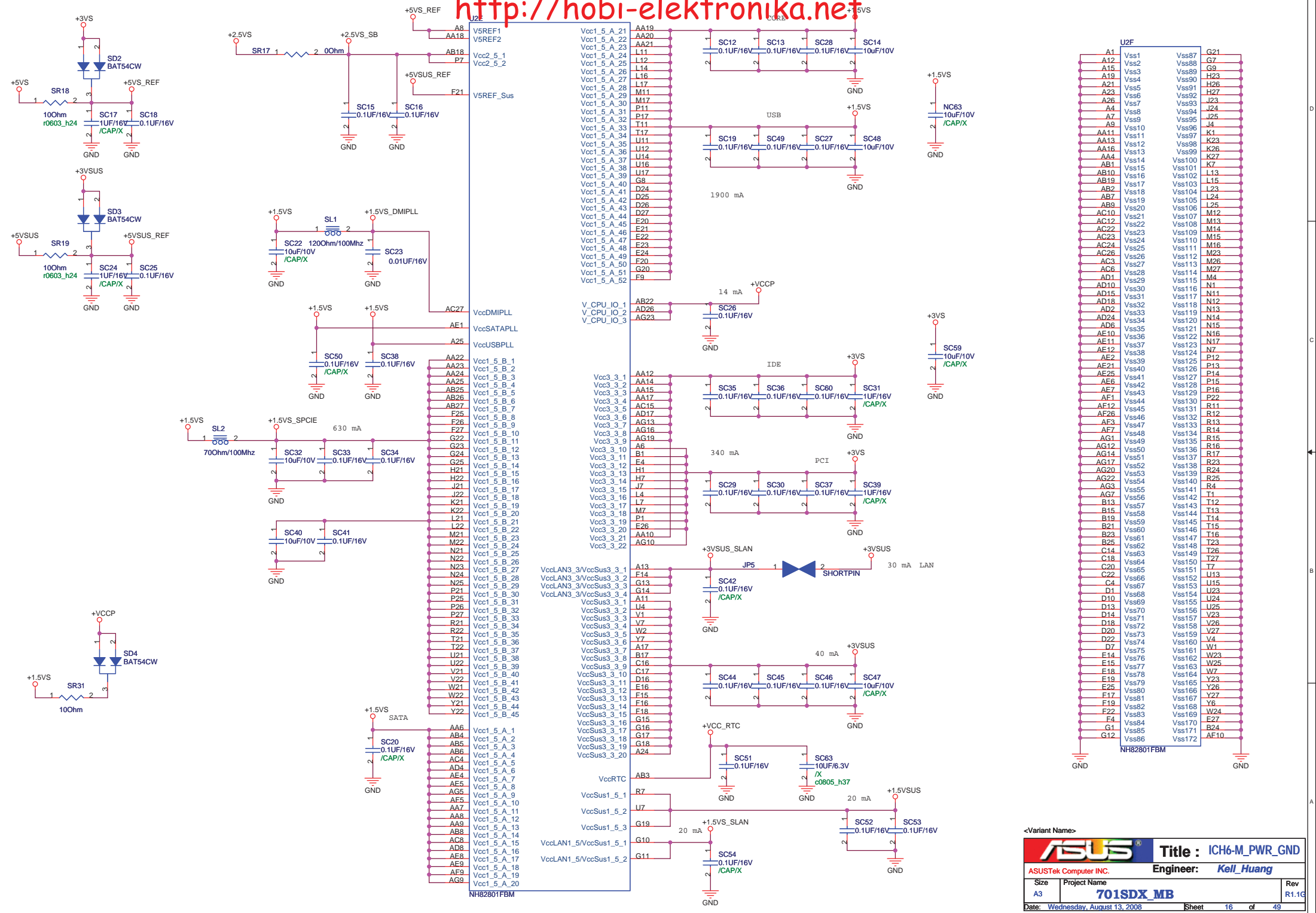
<Variant Name>

**ASUS** Title : ICH6-M\_USB\_PCIE\_IDE

ASUSTek Computer INC. Engineer: Hauld\_Zhou

Size	Project Name	Rev
A3	<b>701SDX MB</b>	R1.1G

Date: Wednesday, August 13, 2008 Sheet 15 of 49



U2F		
A1	Vss1	Vss87
A12	Vss2	Vss88
A15	Vss3	Vss89
A19	Vss4	Vss90
A21	Vss5	Vss91
A23	Vss6	Vss92
A26	Vss7	Vss93
A4	Vss8	Vss94
A7	Vss9	Vss95
A9	Vss10	Vss96
AA11	Vss11	Vss97
AA13	Vss12	Vss98
AA16	Vss13	Vss99
AA4	Vss14	Vss100
AB1	Vss15	Vss101
AB10	Vss16	Vss102
AB19	Vss17	Vss103
AB2	Vss18	Vss104
AB7	Vss19	Vss105
AB9	Vss20	Vss106
AC10	Vss21	Vss107
AC12	Vss22	Vss108
AC22	Vss23	Vss109
AC23	Vss24	Vss110
AC24	Vss25	Vss111
AC26	Vss26	Vss112
AC3	Vss27	Vss113
AC6	Vss28	Vss114
AD1	Vss29	Vss115
AD10	Vss30	Vss116
AD15	Vss31	Vss117
AD18	Vss32	Vss118
AD2	Vss33	Vss119
AD24	Vss34	Vss120
AD6	Vss35	Vss121
AE10	Vss36	Vss122
AE11	Vss37	Vss123
AE12	Vss38	Vss124
AE2	Vss39	Vss125
AE21	Vss40	Vss126
AE25	Vss41	Vss127
AE6	Vss42	Vss128
AE7	Vss43	Vss129
AF1	Vss44	Vss130
AF12	Vss45	Vss131
AF26	Vss46	Vss132
AF3	Vss47	Vss133
AF7	Vss48	Vss134
AG1	Vss49	Vss135
AG12	Vss50	Vss136
AG14	Vss51	Vss137
AG17	Vss52	Vss138
AG20	Vss53	Vss139
AG22	Vss54	Vss140
AG3	Vss55	Vss141
AG7	Vss56	Vss142
B13	Vss57	Vss143
B15	Vss58	Vss144
B19	Vss59	Vss145
B21	Vss60	Vss146
B23	Vss61	Vss147
B25	Vss62	Vss148
C14	Vss63	Vss149
C18	Vss64	Vss150
C20	Vss65	Vss151
C22	Vss66	Vss152
C4	Vss67	Vss153
D1	Vss68	Vss154
D10	Vss69	Vss155
D13	Vss70	Vss156
D14	Vss71	Vss157
D18	Vss72	Vss158
D20	Vss73	Vss159
D22	Vss74	Vss160
D7	Vss75	Vss161
E14	Vss76	Vss162
E15	Vss77	Vss163
E18	Vss78	Vss164
E19	Vss79	Vss165
E25	Vss80	Vss166
F17	Vss81	Vss167
F19	Vss82	Vss168
F22	Vss83	Vss169
F4	Vss84	Vss170
G1	Vss85	Vss171
G12	Vss86	Vss172
NH82801FBM		

<Variant Name>

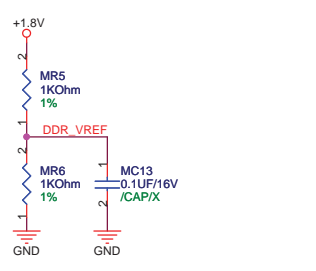
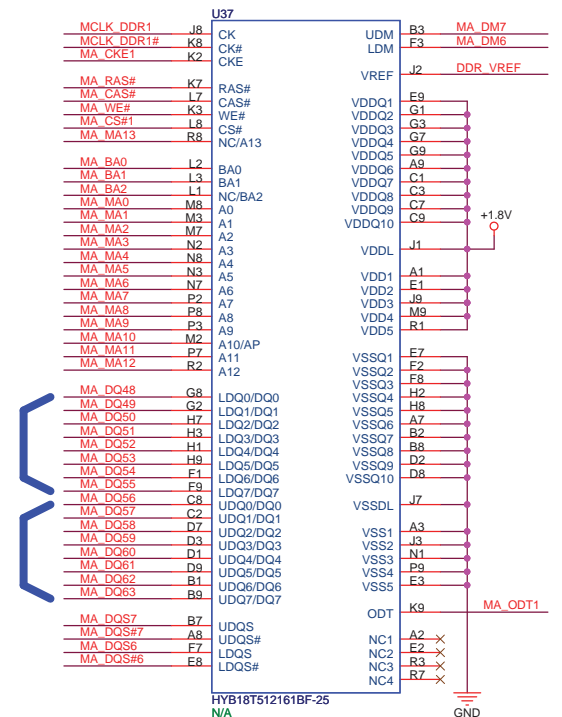
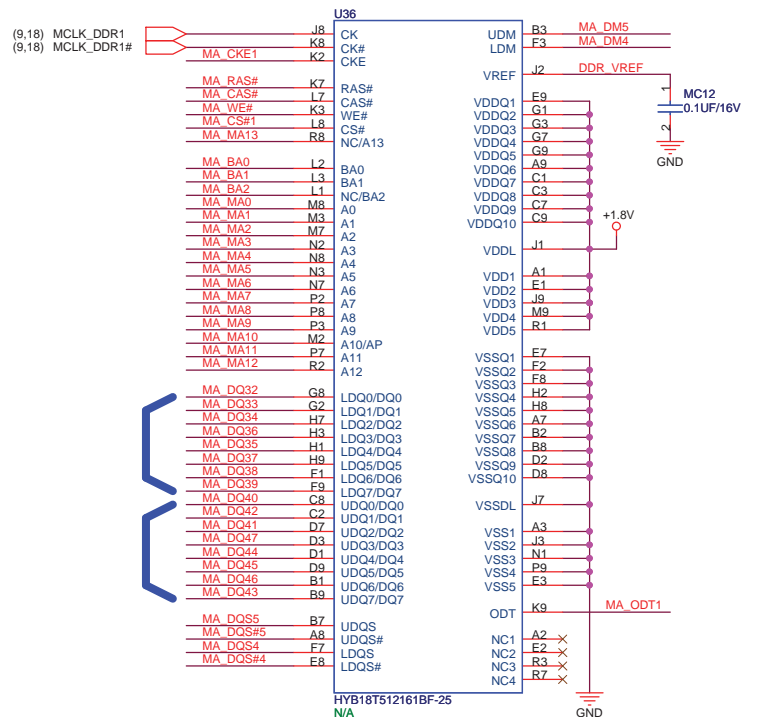
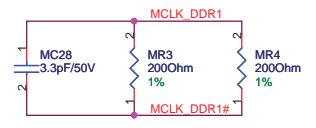
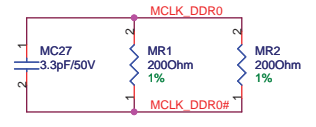
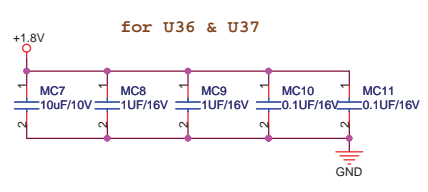
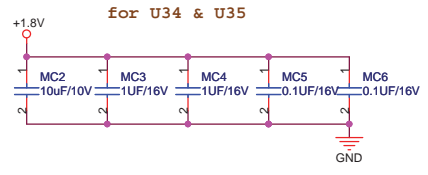
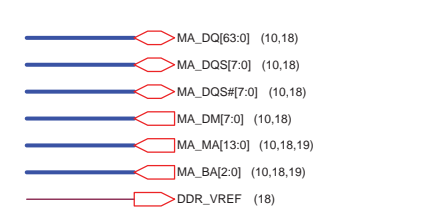
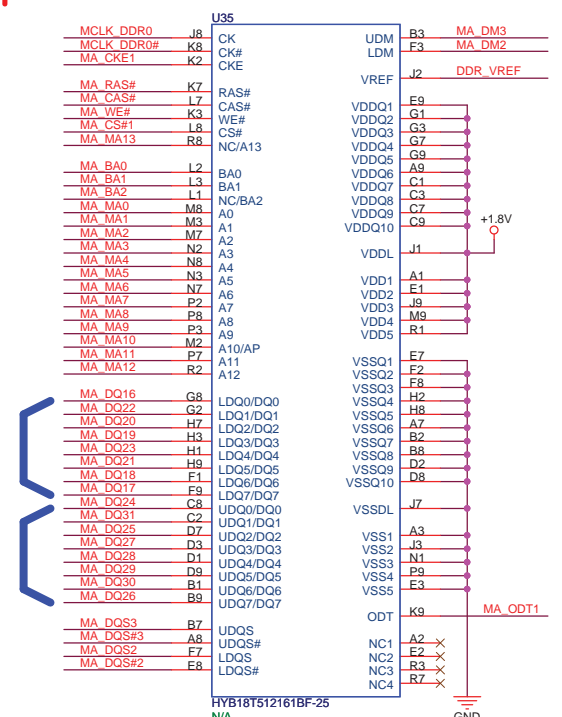
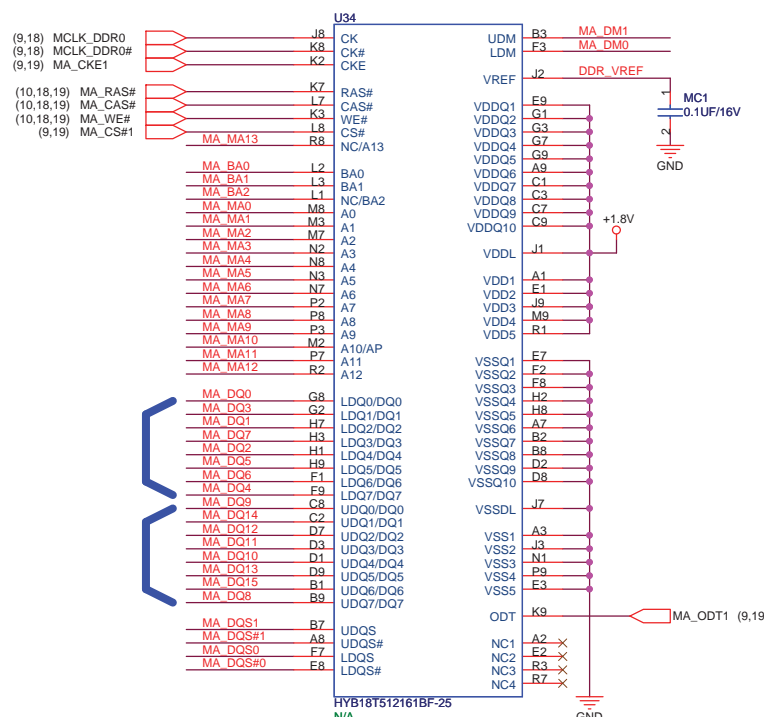
**ASUS** Title : ICH6-M\_PWR\_GND

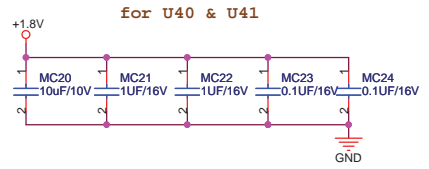
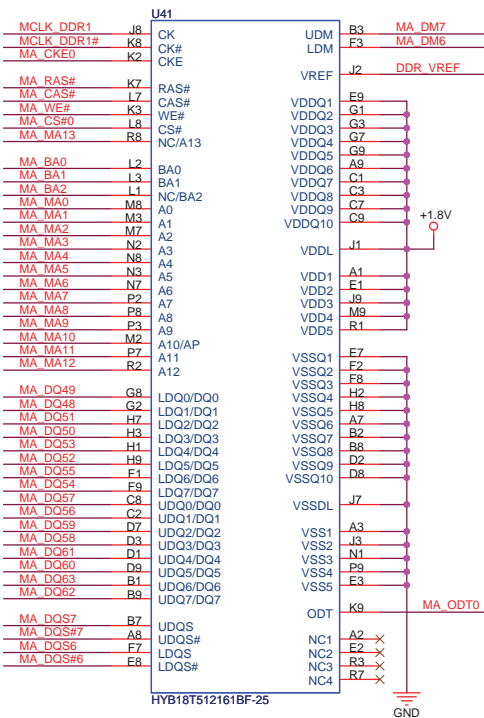
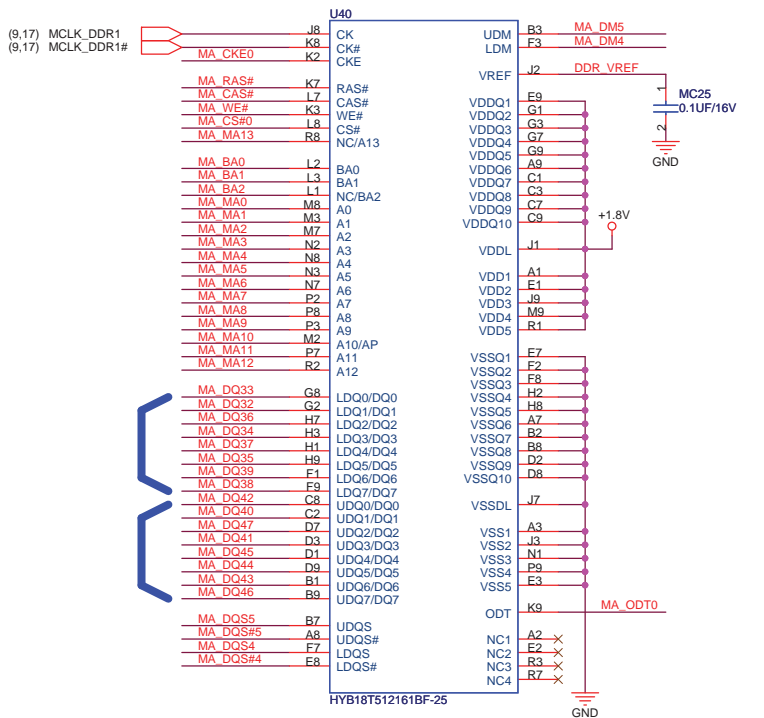
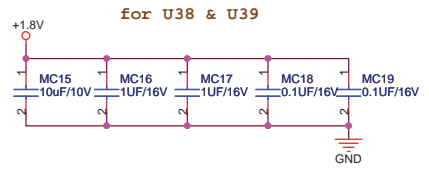
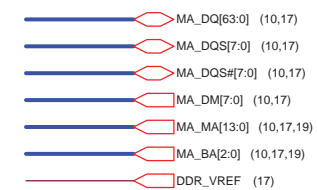
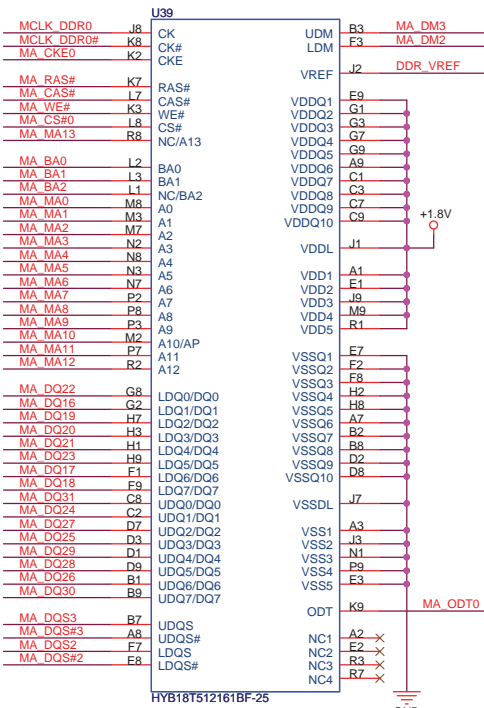
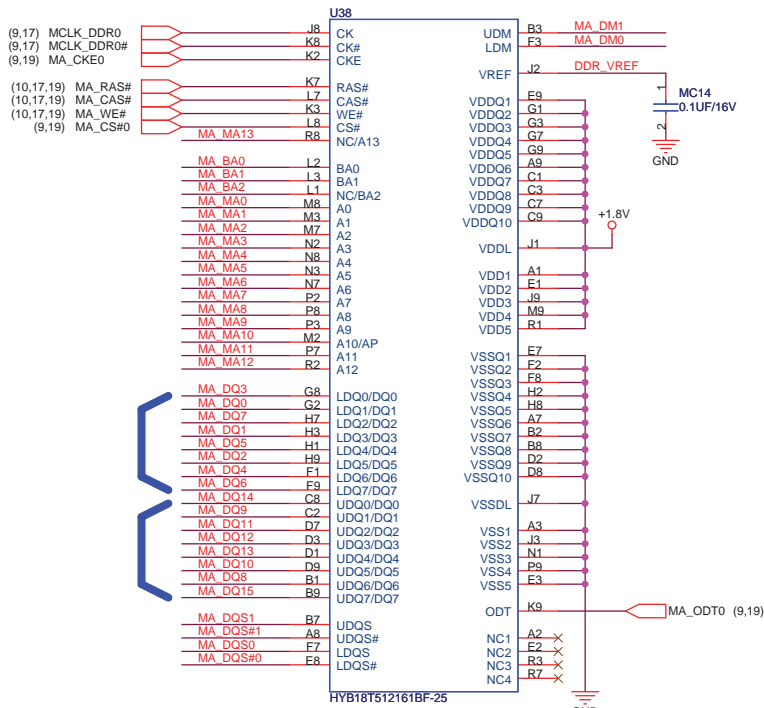
ASUSTek Computer INC. Engineer: Kell\_Huang

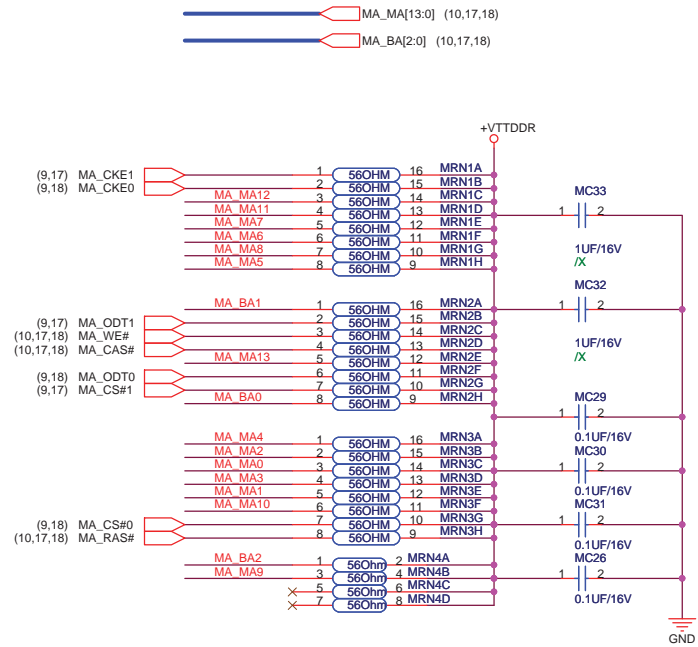
Size	Project Name	Rev
A3	701SDX_MB	R1.1G

Date: Wednesday, August 13, 2008 Sheet 16 of 49

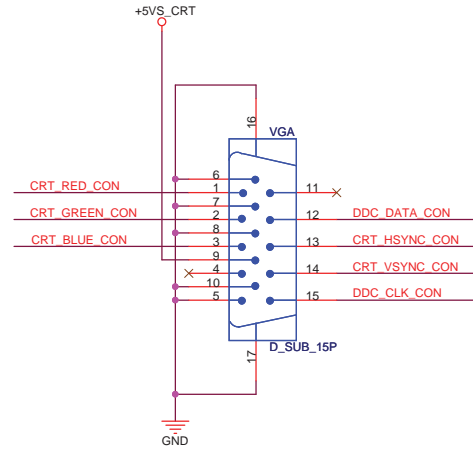
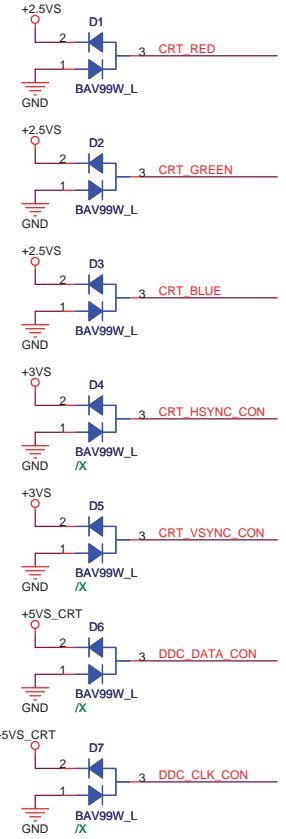
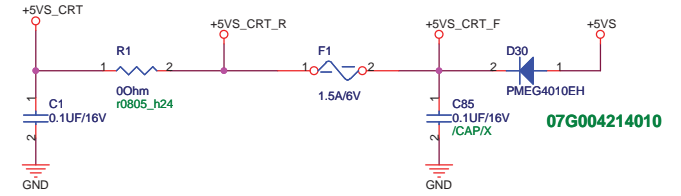
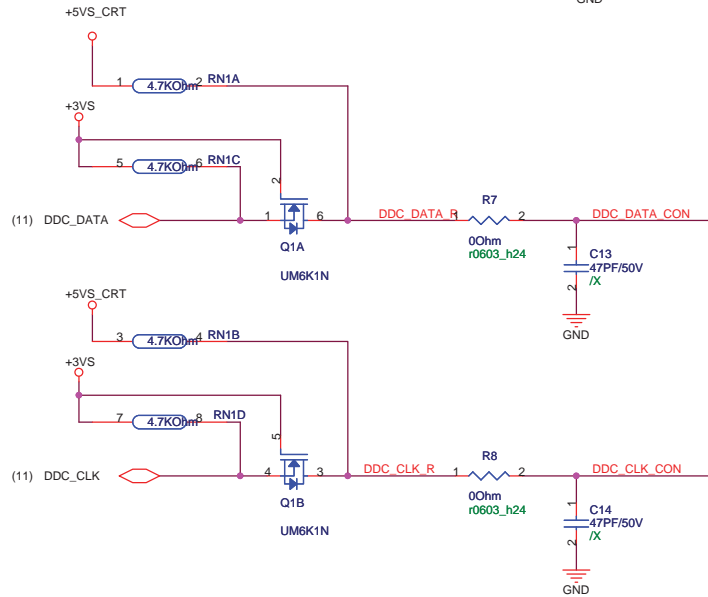
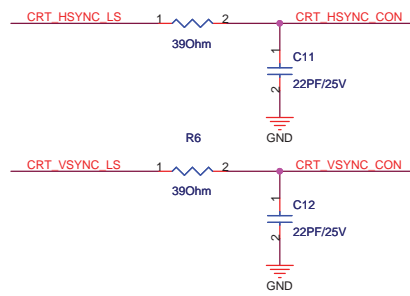
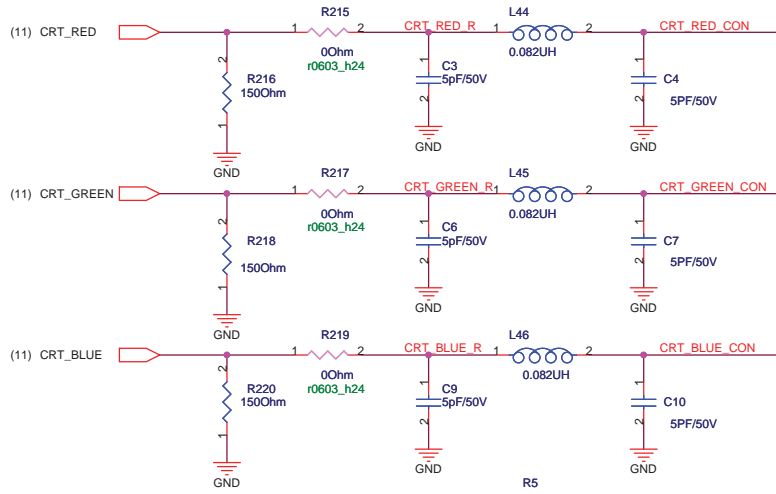




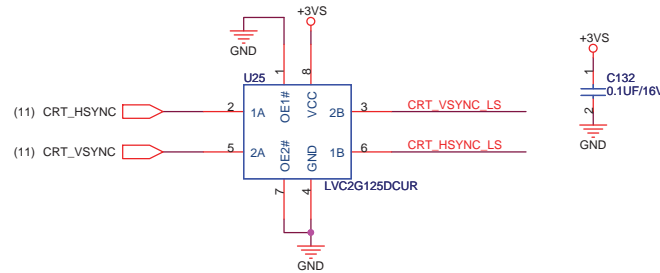


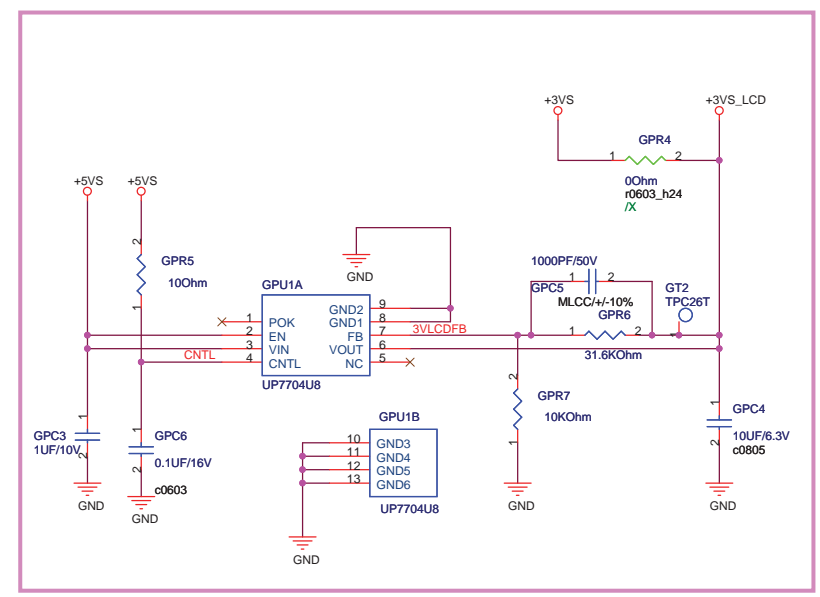
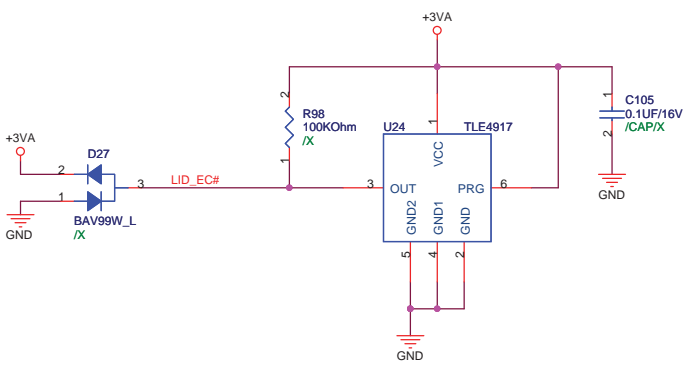
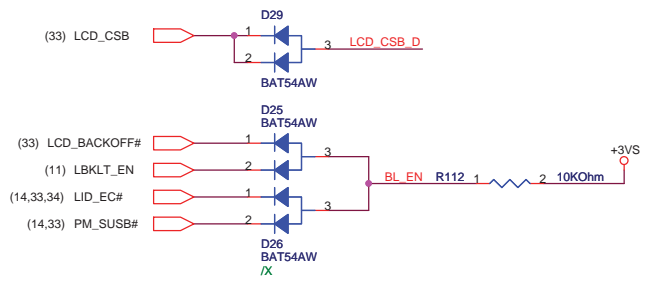
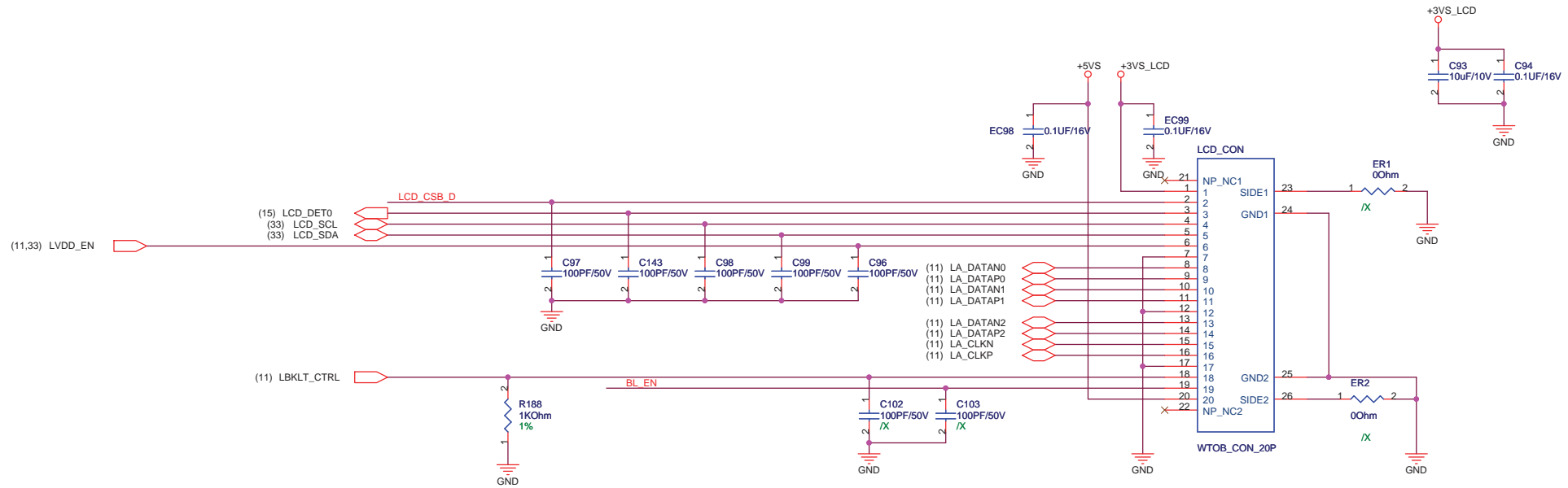


<Variant Name>

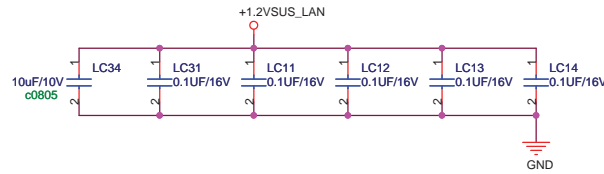
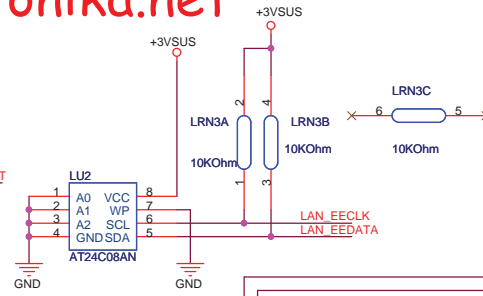
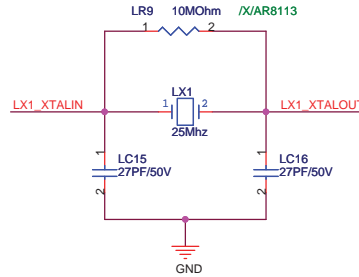
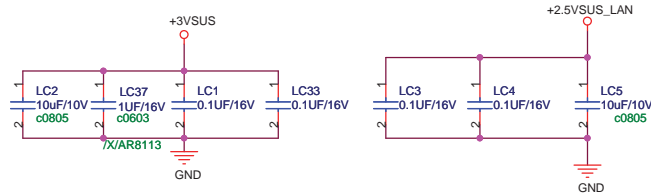


VGA use 12G10110015W or 12G10110015N

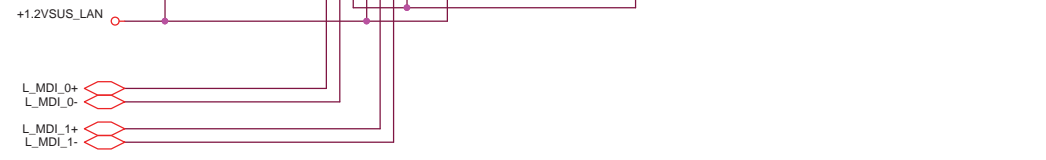
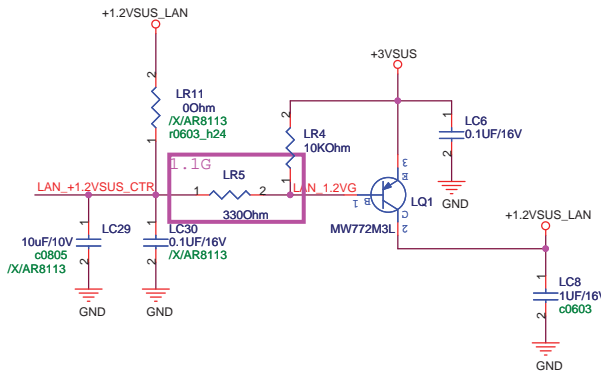
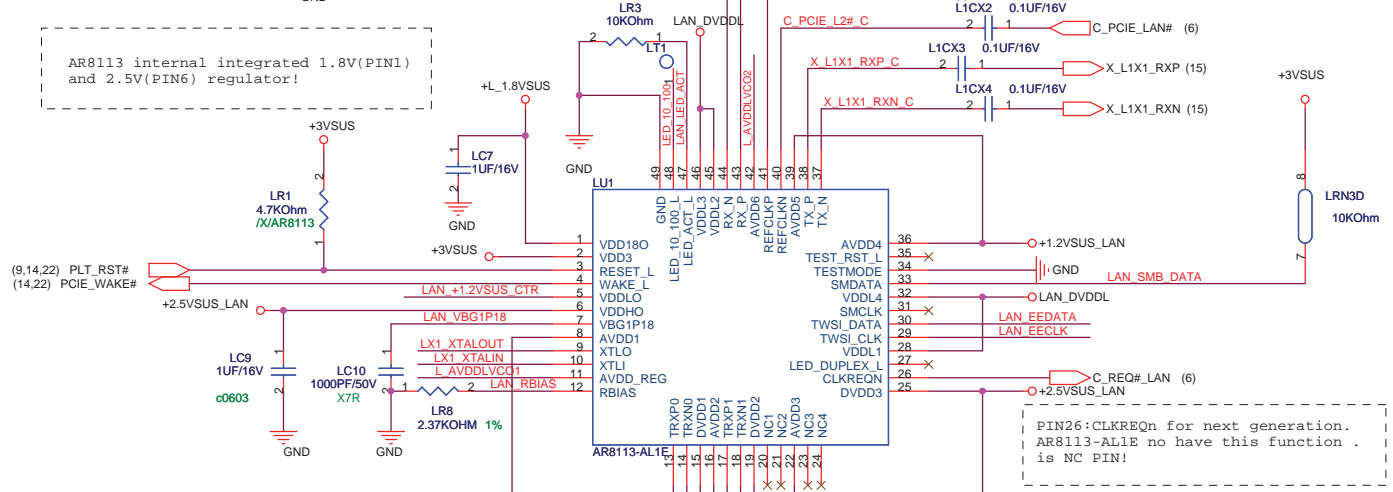




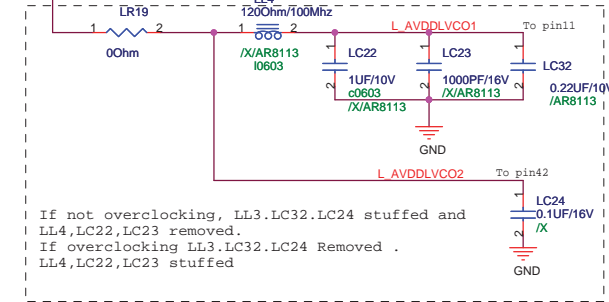
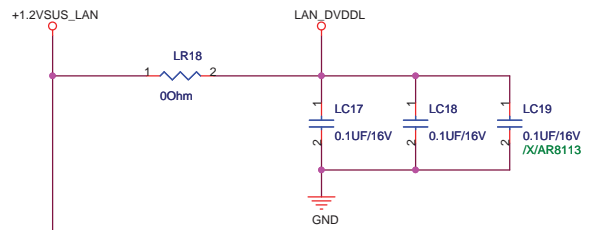




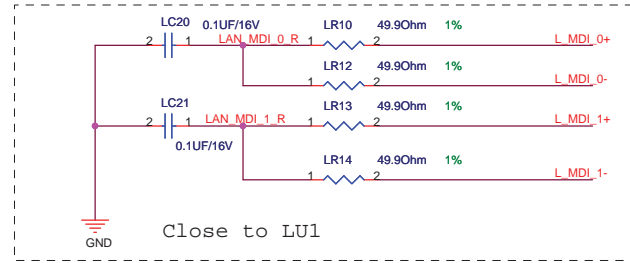
AR8113 internal integrated 1.8V(PIN1) and 2.5V(PIN6) regulator!



PIN26:CLKREQn for next generation. AR8113-ALITE no have this function. is NC PIN!



If not overclocking, LL3.LC32.LC24 stuffed and LL4,LC22,LC23 removed.  
If overclocking LL3.LC32.LC24 Removed .  
LL4,LC22,LC23 stuffed

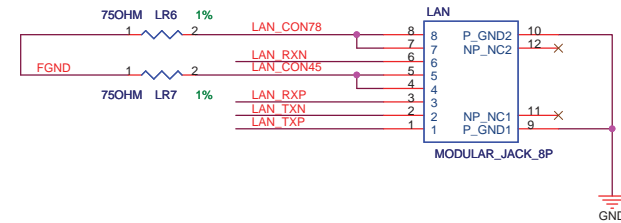
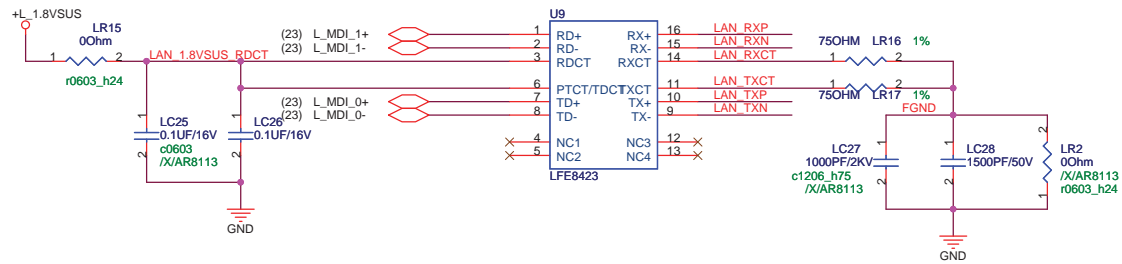


Close to LU1

<Variant Name>

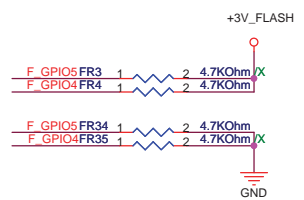
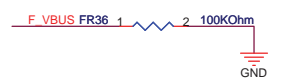
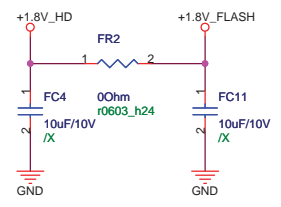
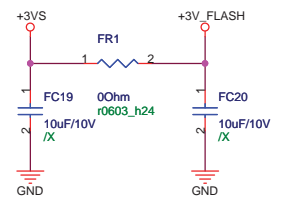
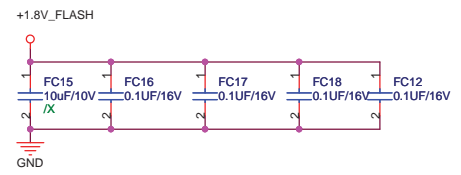
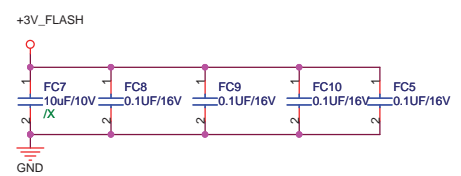
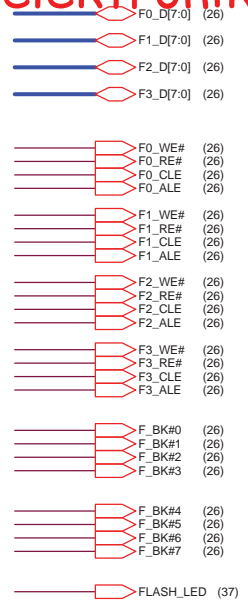
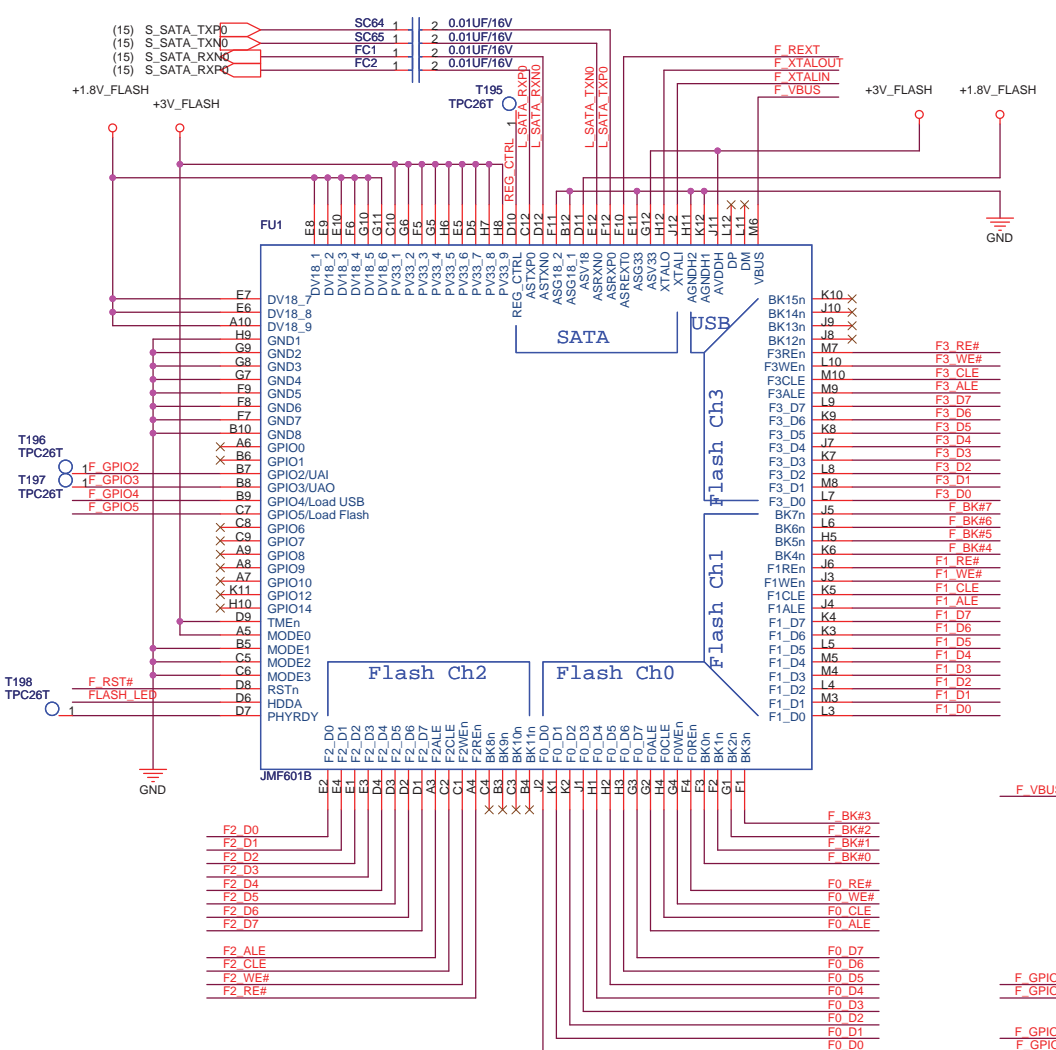
<b>ASUS</b>		<b>Title : LAN_8113</b>	
ASUSTek Computer INC.		Engineer: <b>Hauld_Zhou</b>	
Size	Project Name		Rev
A3	<b>701SDX_MB</b>		R1.1G
Date: Wednesday, August 13, 2008		Sheet	23 of 49

DELETE MODEM

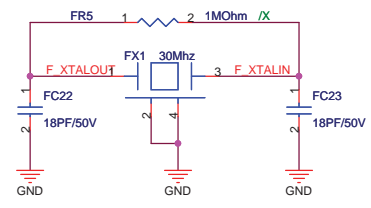
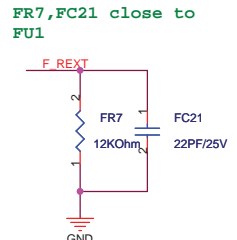
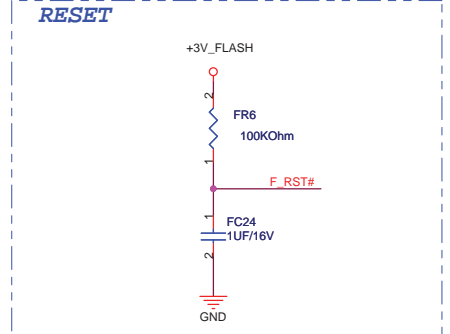


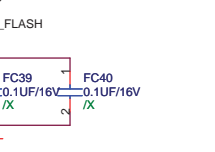
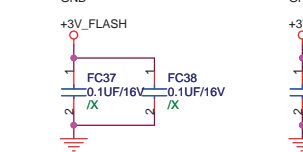
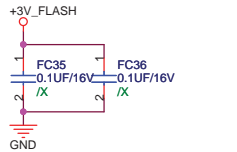
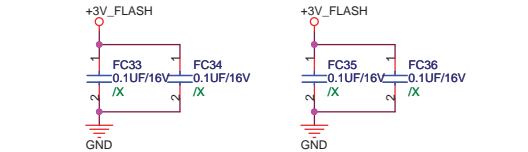
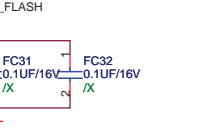
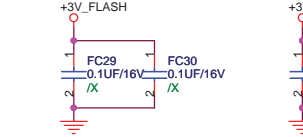
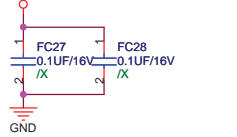
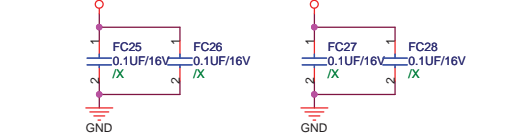
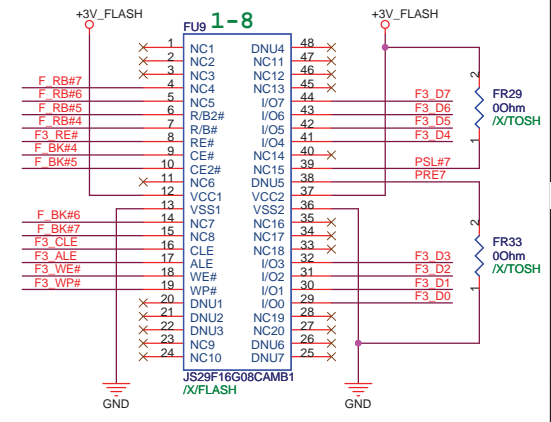
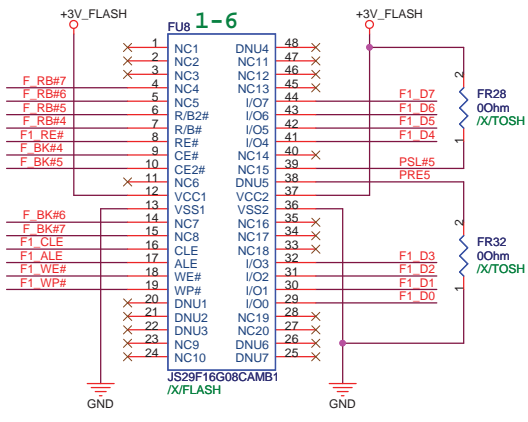
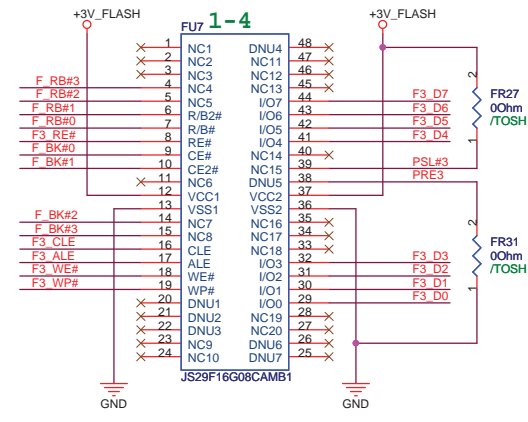
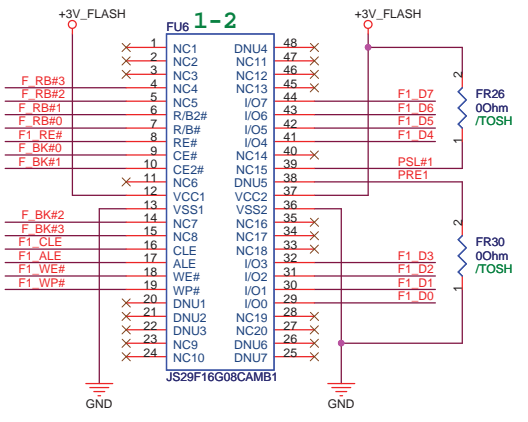
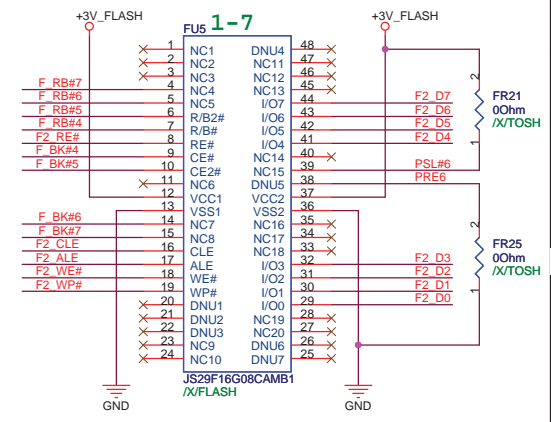
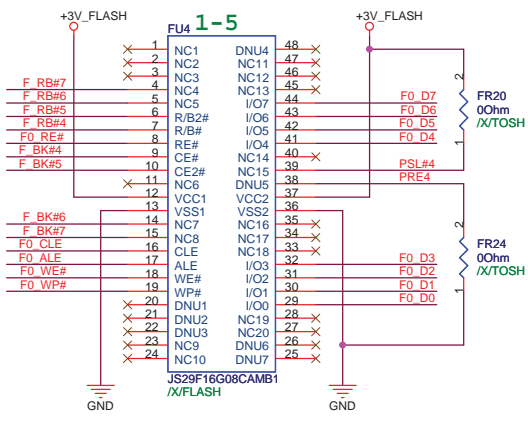
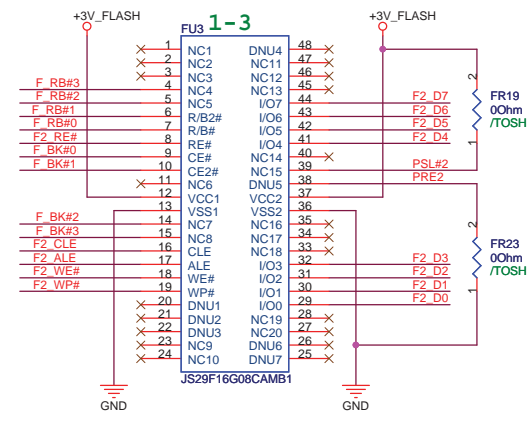
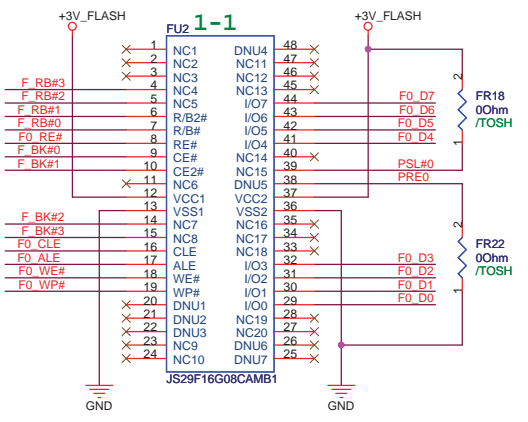
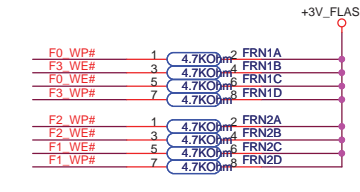
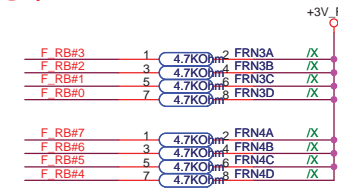
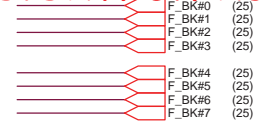
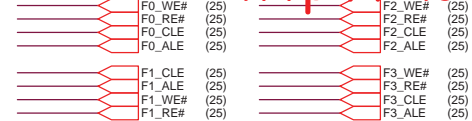
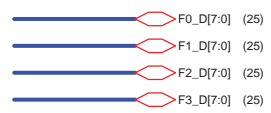
<Variant Name>

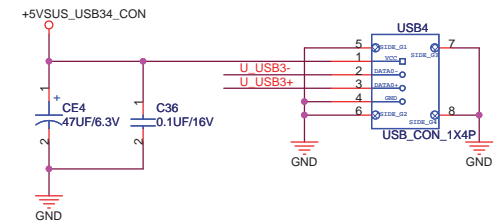
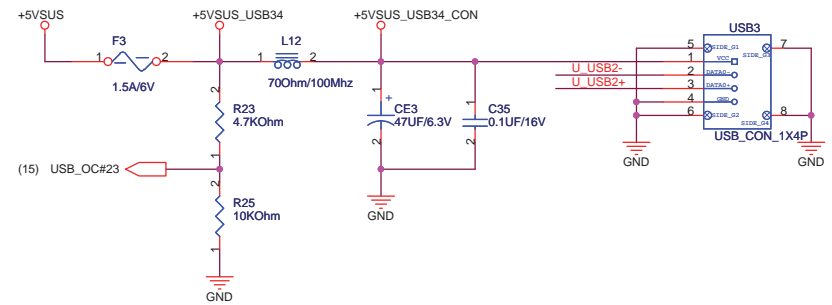
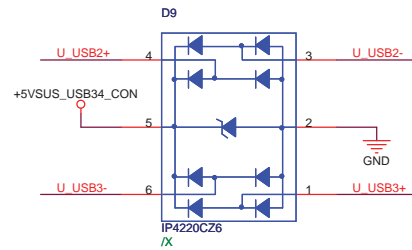
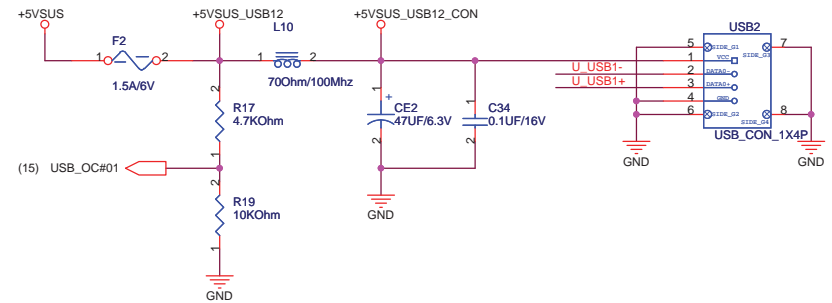
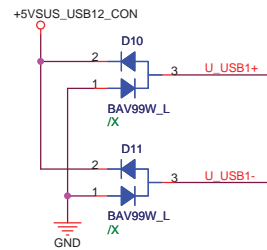
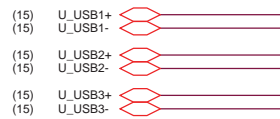




GPIO5	GPIO4	MODE
L	X	Load F/W code from Flash,
H	H	Load F/W code from SATA

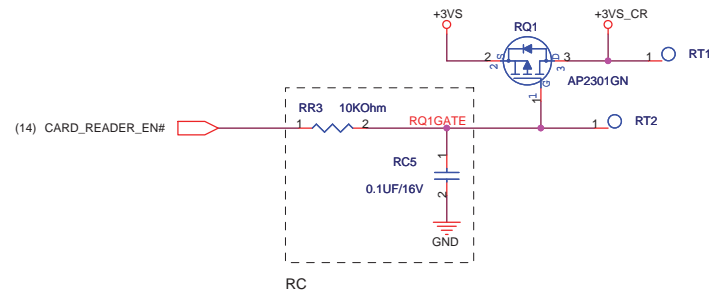
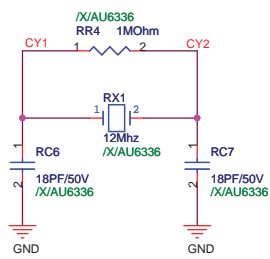
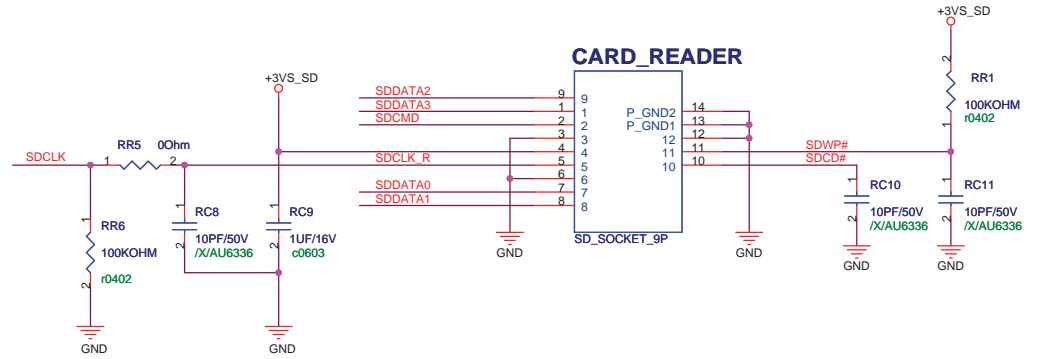
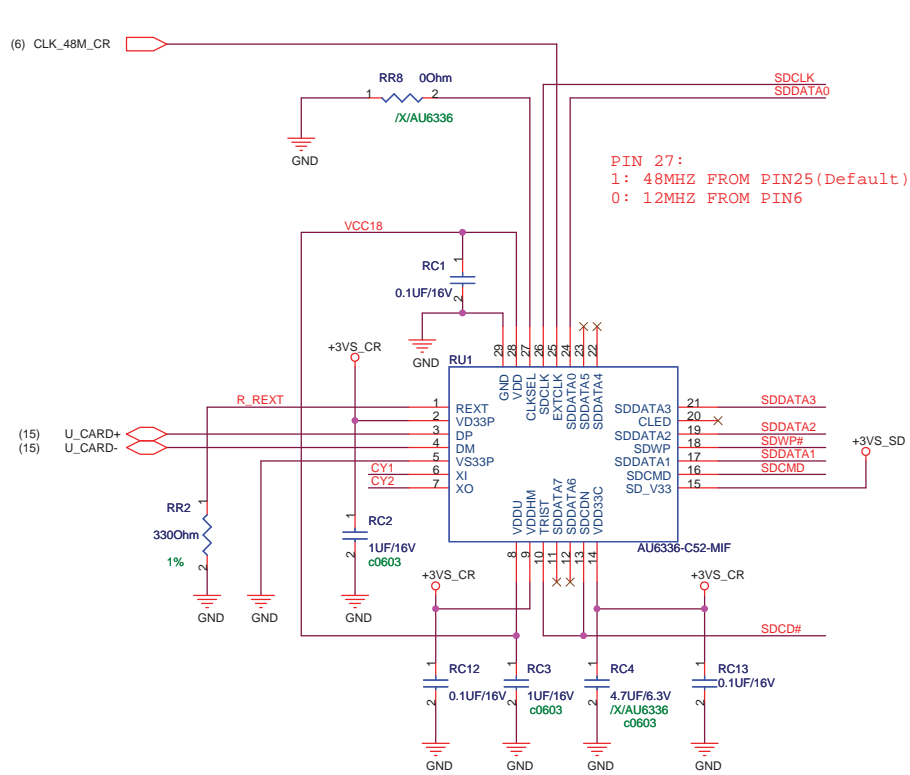






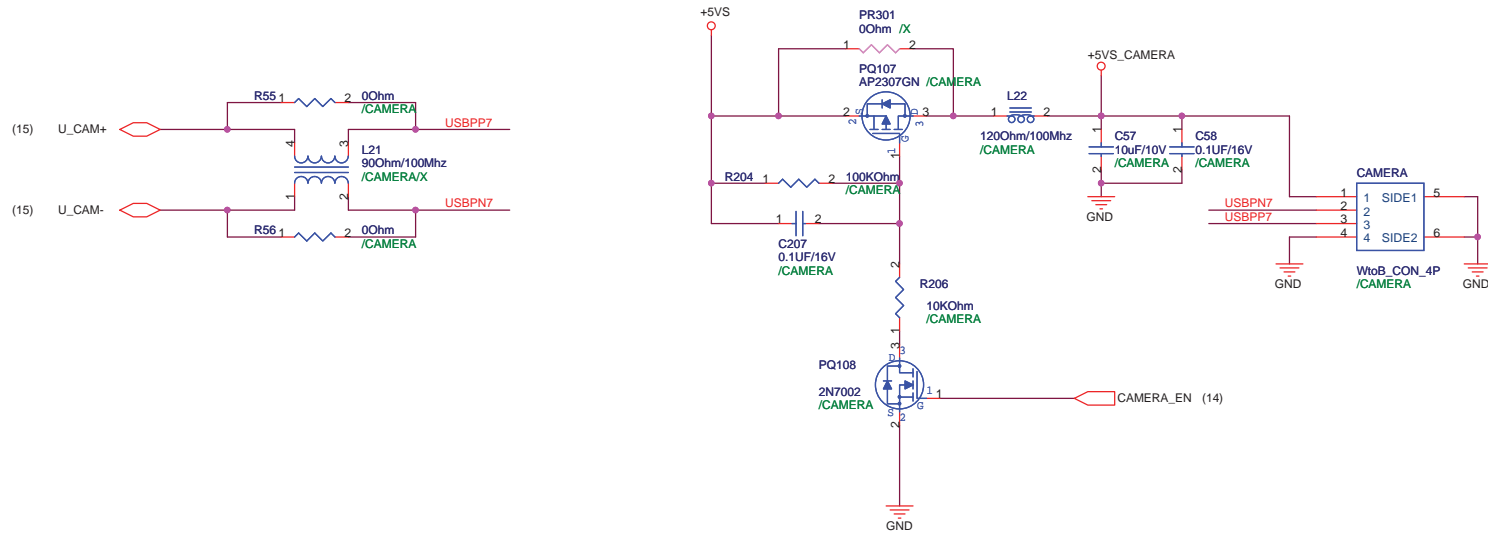
<Variant Name>

<b>ASUS</b>		<b>Title : USB Port</b>	
ASUSTek Computer INC.		Engineer: <i>Kell_Huang</i>	
Size A3	Project Name <b>701SDX_MB</b>	Rev R1.1G	
Date: Wednesday, August 13, 2008		Sheet 27 of 49	

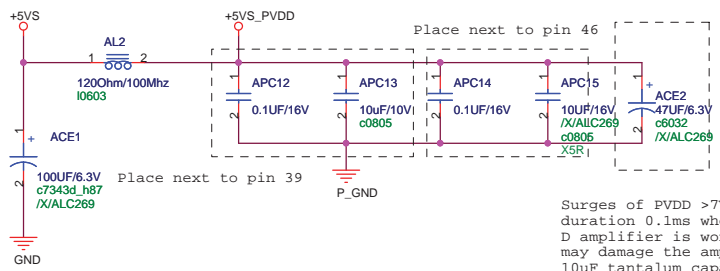
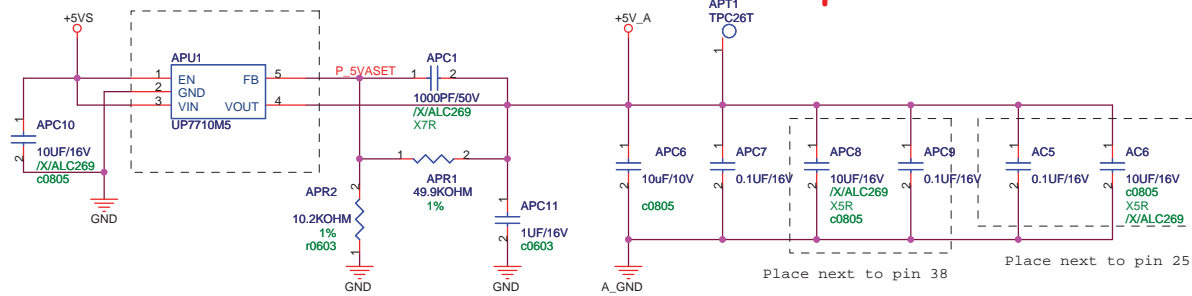


<Variant Name>

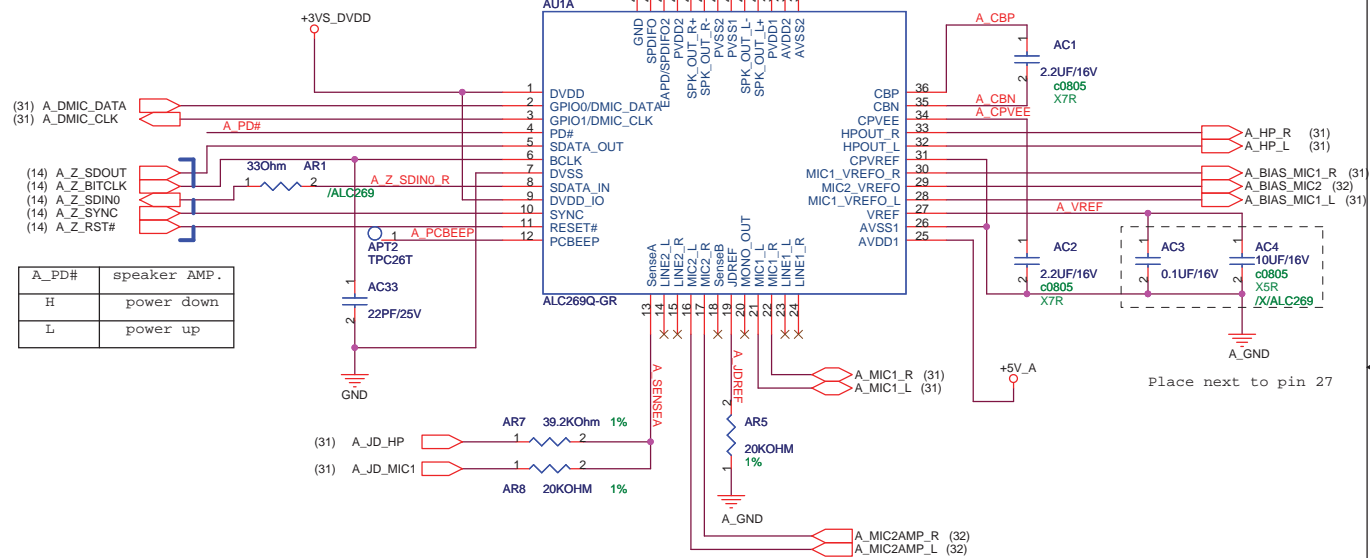
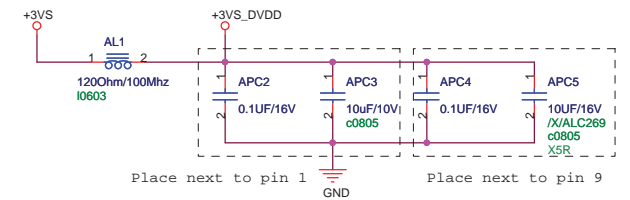
<b>ASUS</b>		<b>Title : Card Reader_AU6336</b>	
ASUSTek Computer INC.		Engineer: <b>Hauld_Zhou</b>	
Size	Project Name		Rev
A3	<b>701SDX_MB</b>		R1.1G
Date: Wednesday, August 13, 2008	Sheet	28	of 49



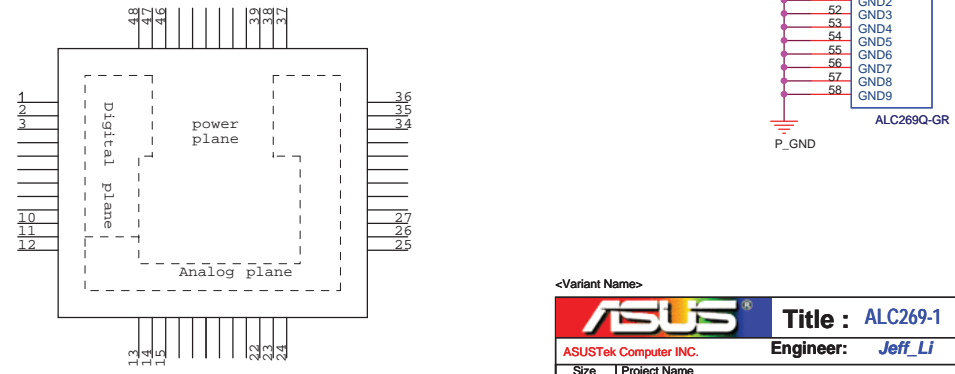
$$V_{out} = 0.8 * (1 + (49.9K / 10.2K))$$



Surges of PVDD >7V duration 0.1ms when class D amplifier is working may damage the amplifier, 10uF tantalum capacitors are required at PVDD1 and PVDD2 to uppress the surge.



A_PD#	speaker AMP.
H	power down
L	power up

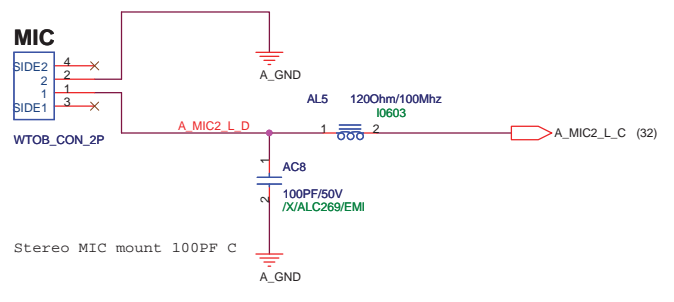


<Variant Name>

<b>ASUS</b>		<b>Title : ALC269-1</b>	
ASUSTek Computer INC.		Engineer: Jeff_Li	
Size	Project Name		Rev
A3	<b>701SDX MB</b>		R1.1G
Date: Wednesday, August 13, 2008		Sheet	30 of 49

MIC1

**Internal MIC**

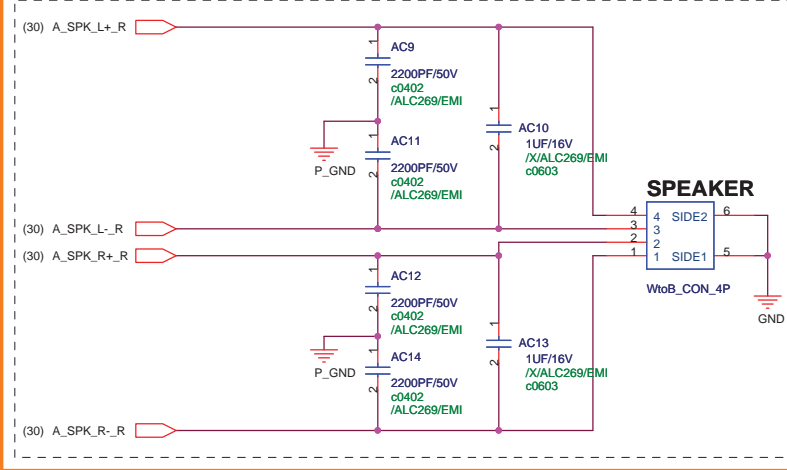


Stereo MIC mount 100PF C

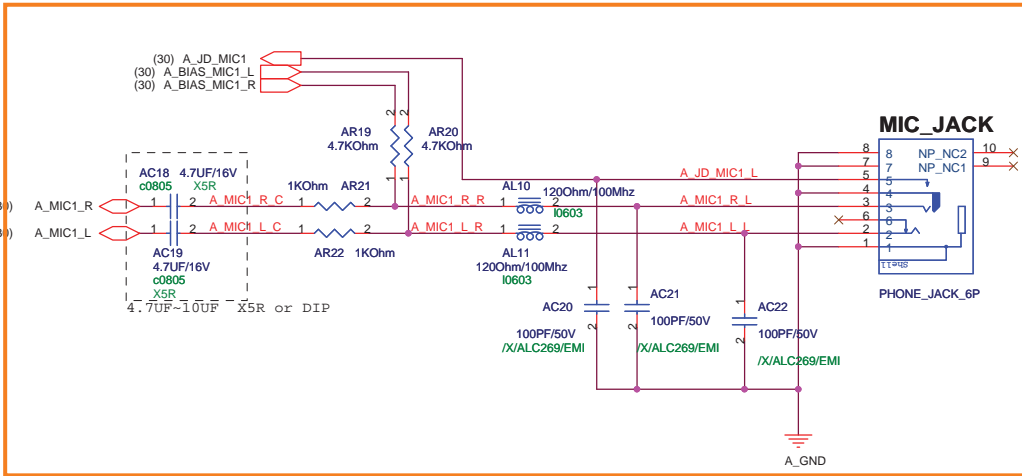
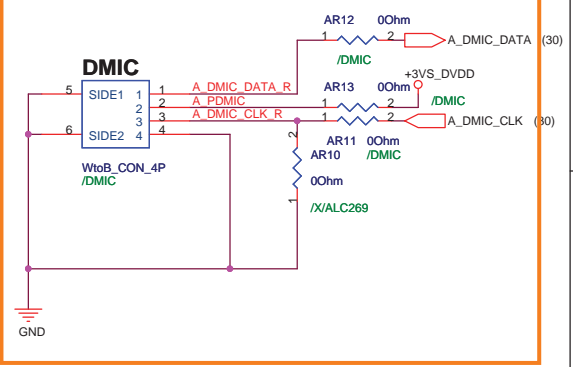
**SPEAKER**

Demodulation Filter  
Placement near  
Audio Codec

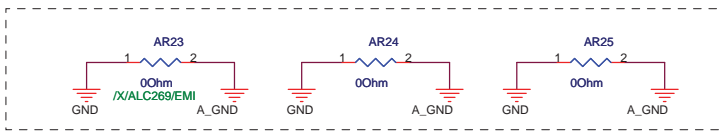
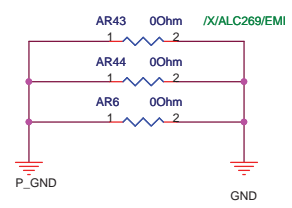
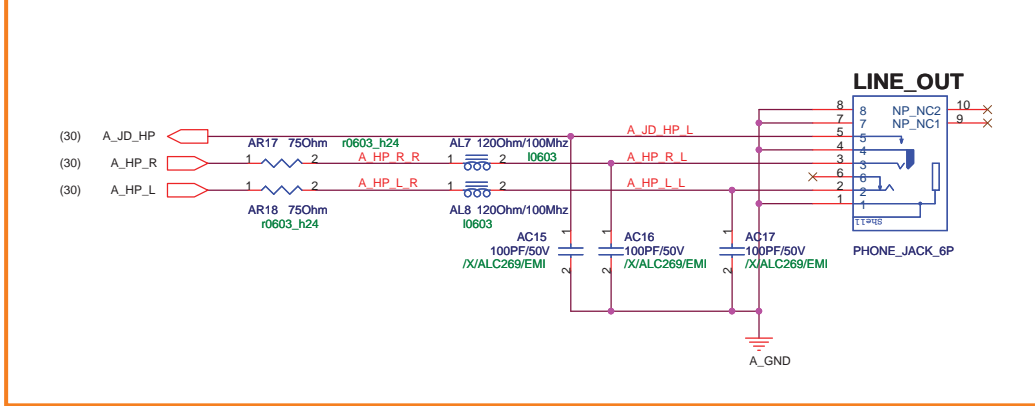
<<Attention>>  
you can use LC filter(AR9,AR14,AR15,AR16  
mount 8.2uH L ;and mount AC10,AC13) to  
eliminate the EMI(please don't use  
general beads,because they may influence  
the THD+N quality) , AC9/AC11/AC12/AC14  
are used for EMI fine-tune ; For EMI  
issue, All L and C should near to codec



**Digital Mic Interface**

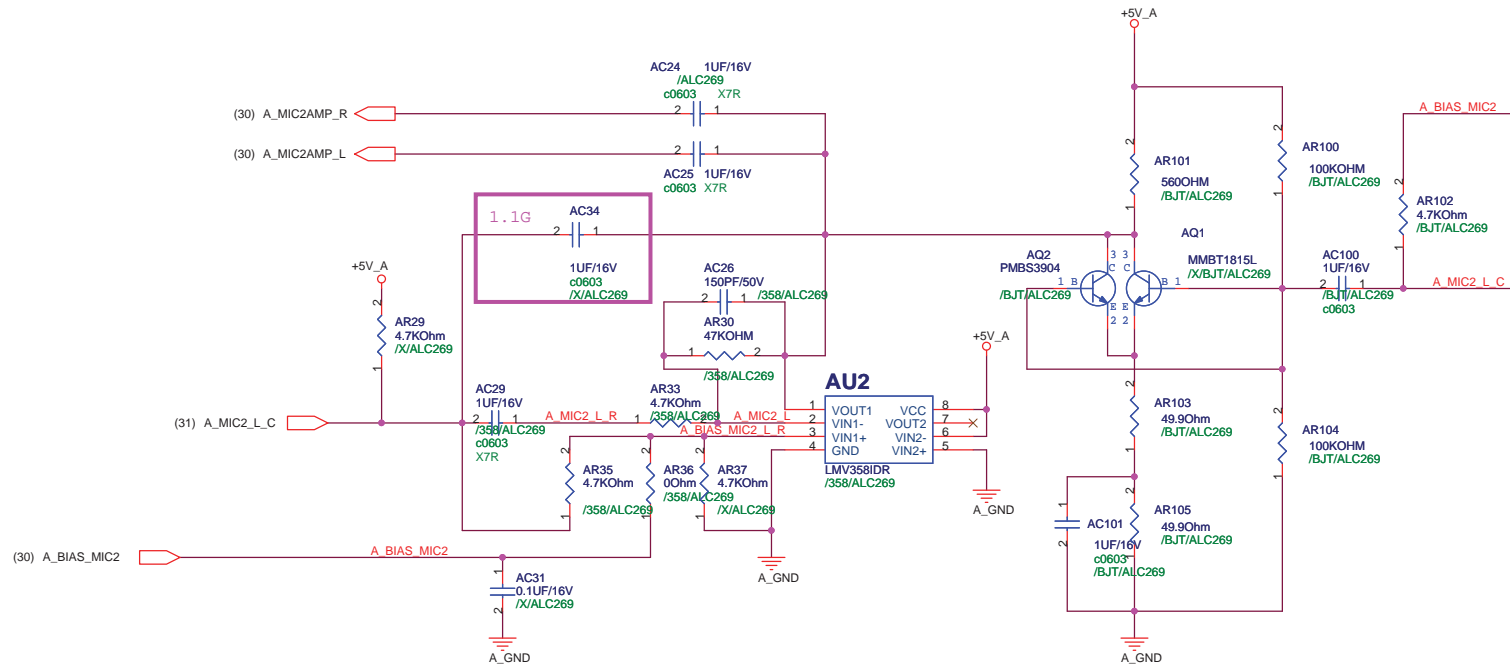


**HP**

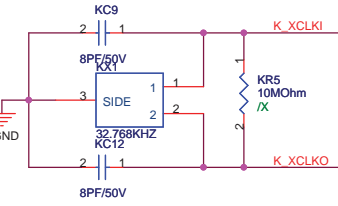
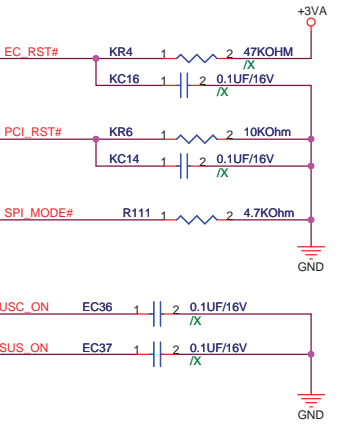
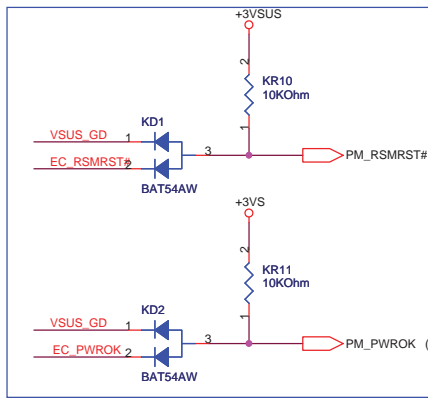
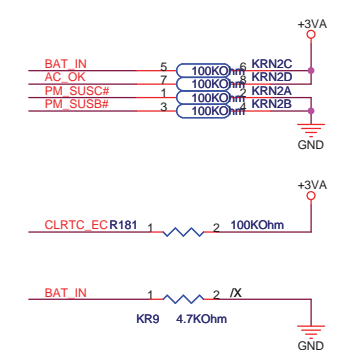
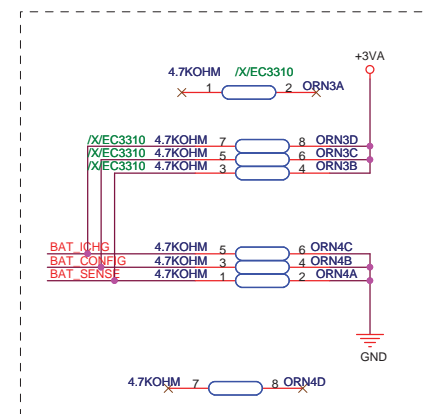
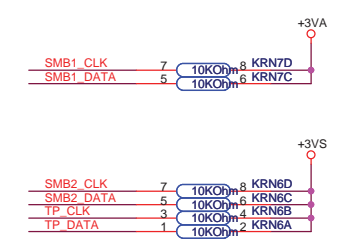
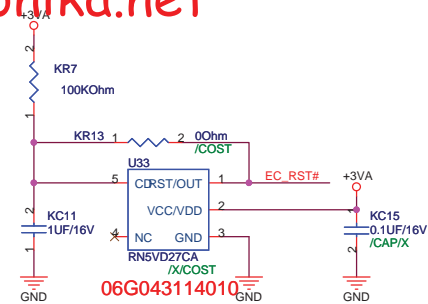
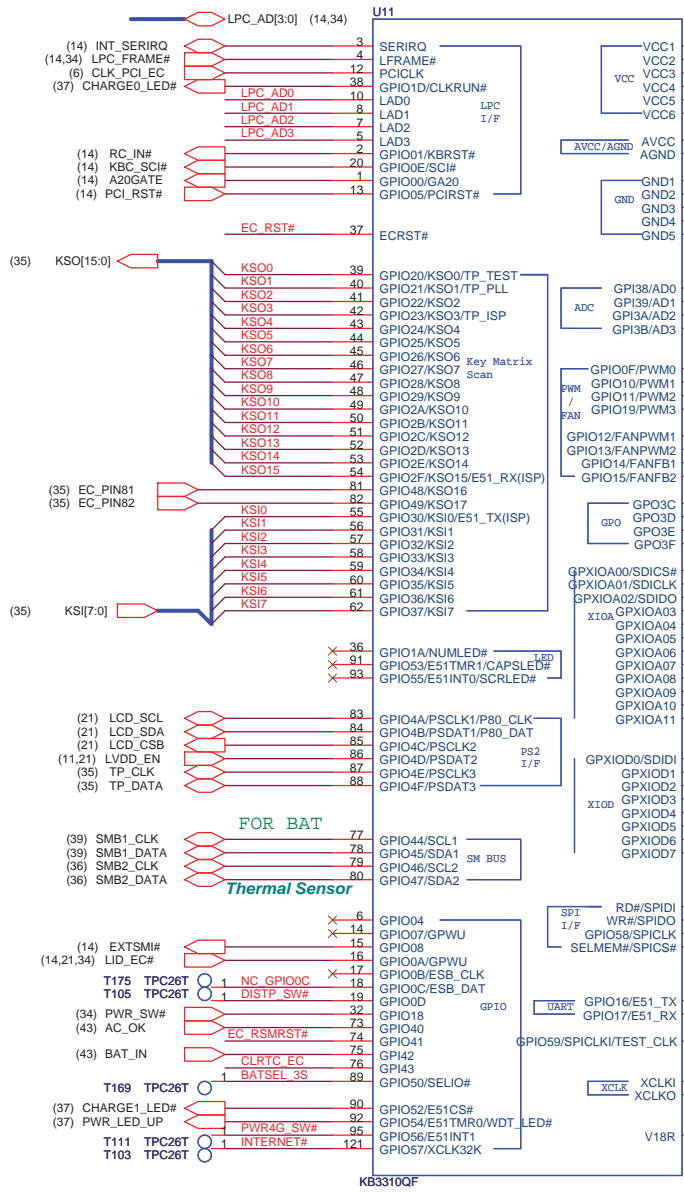
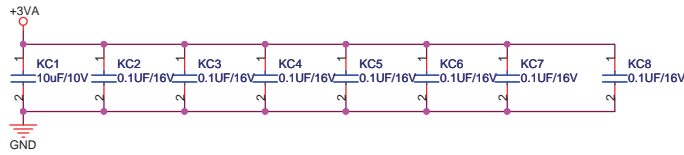


AR24, AR25 can use  
0.1UF 11G233310432320  
for EMI

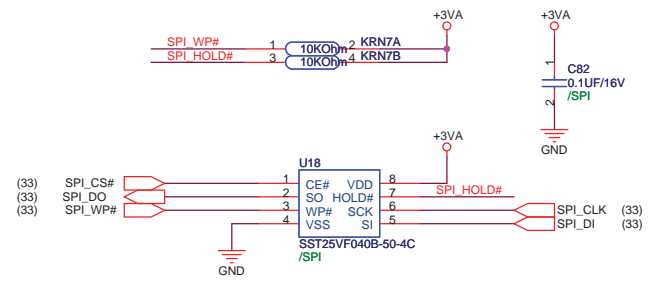
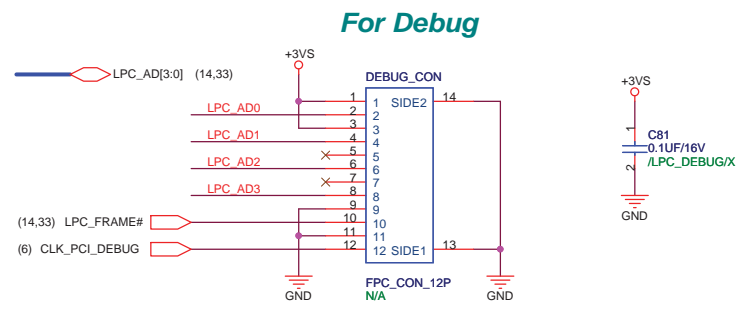
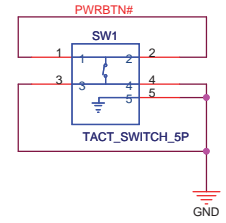
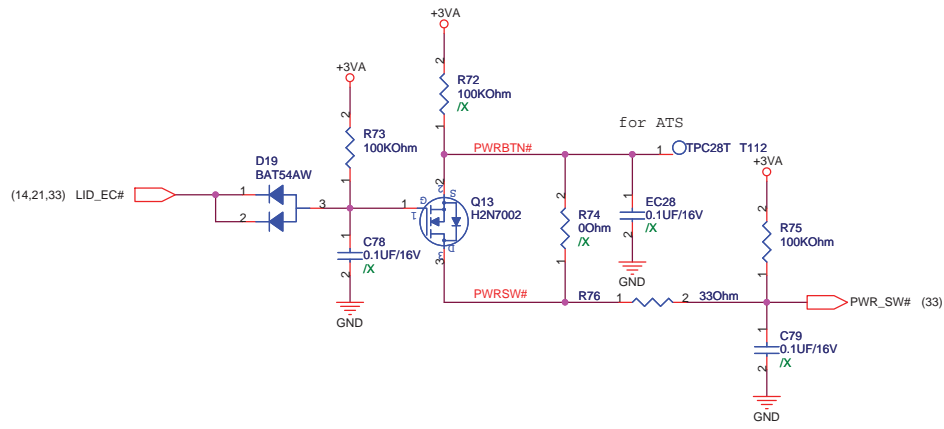
<Variant Name>



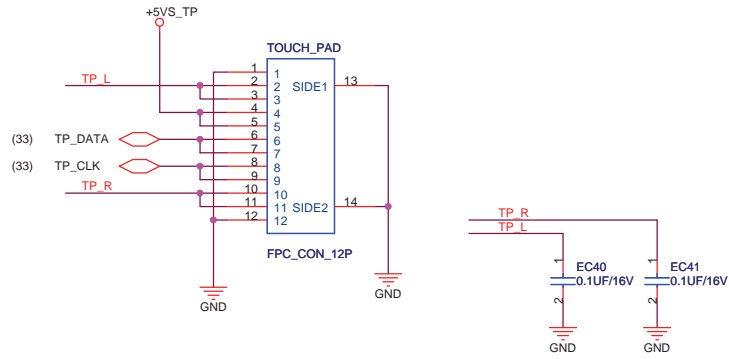
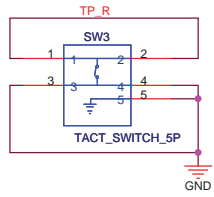
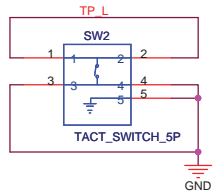




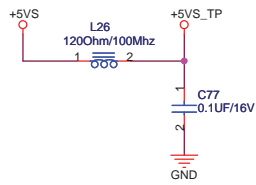
ASUS Title : EC\_ENE KB3310  
ASUSTek Computer INC. Engineer: Kell\_Huang  
Size Project Name Rev  
A3 701SDX MB R1.1G  
Date: Wednesday, August 13, 2008 Sheet 33 of 49



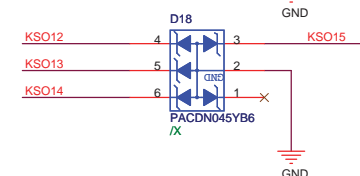
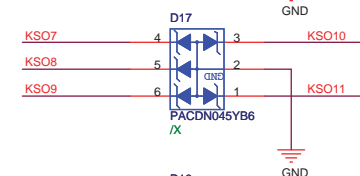
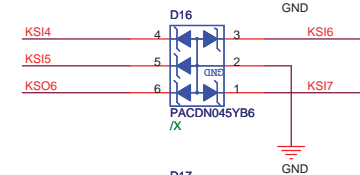
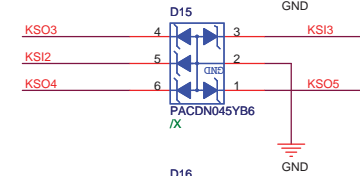
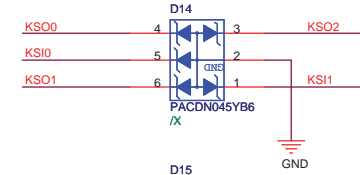
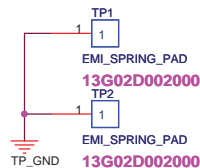
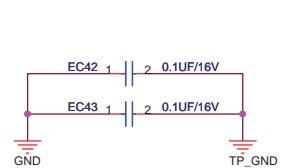
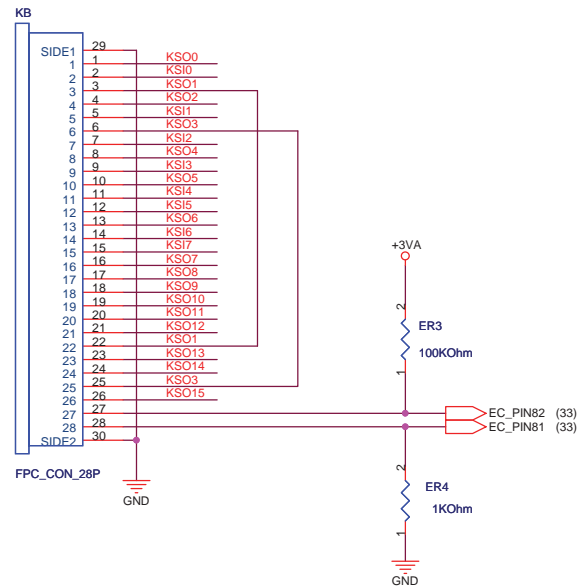
For Touch-Pad



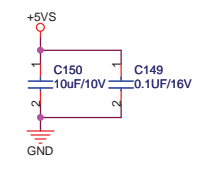
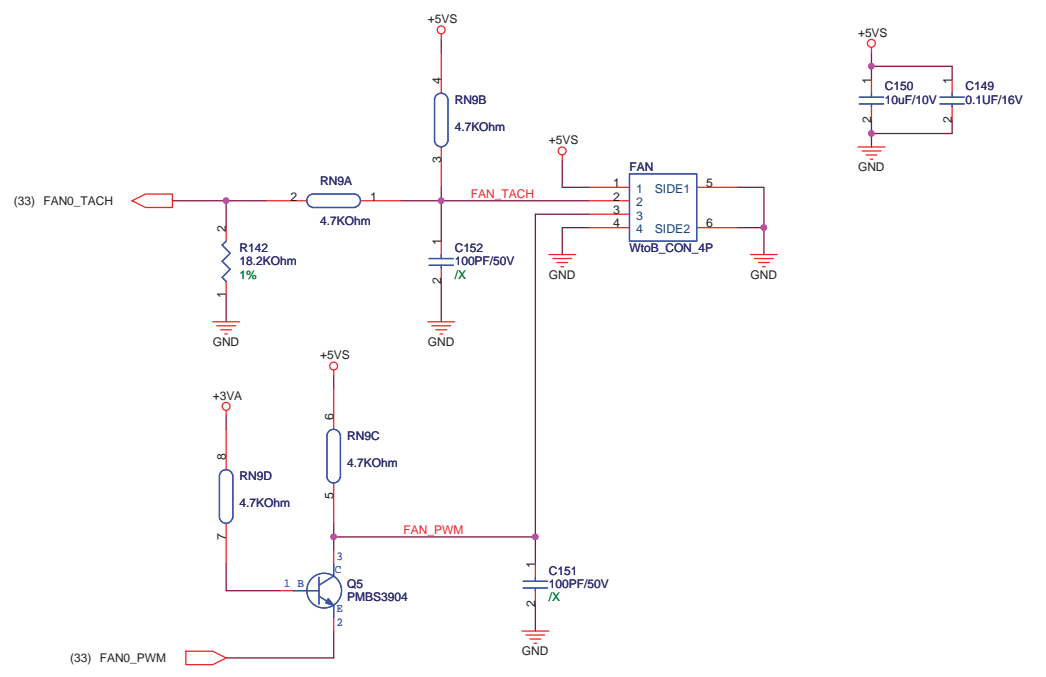
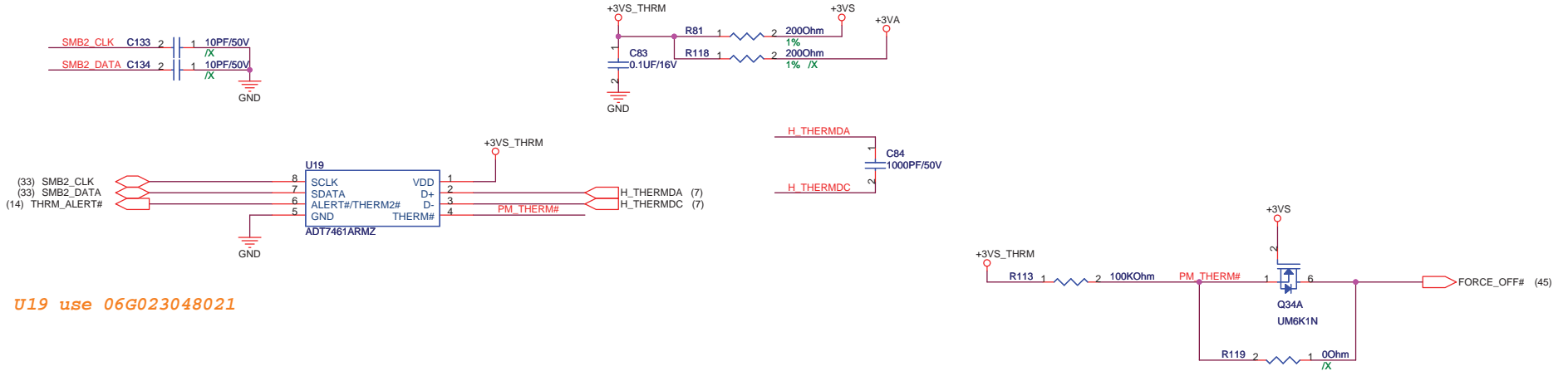
For Keyboard



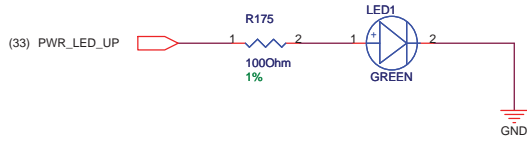
- KSO15 1 TPC26T T188
- KSI0 1 TPC26T T189
- KSO3 1 TPC26T T190



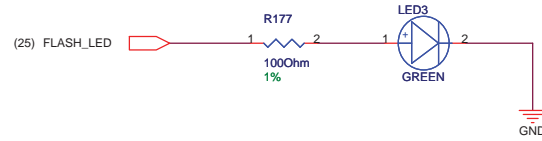
<Variant Name>



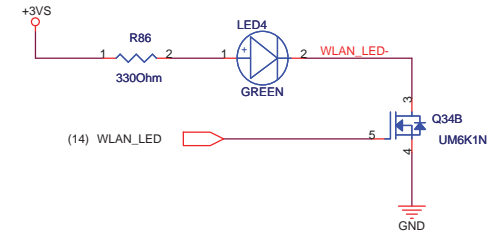
for POWER LED



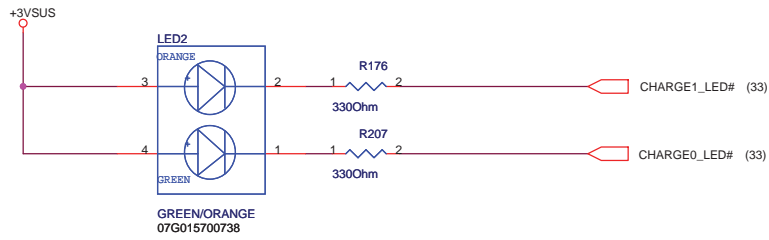
for FLASH LED

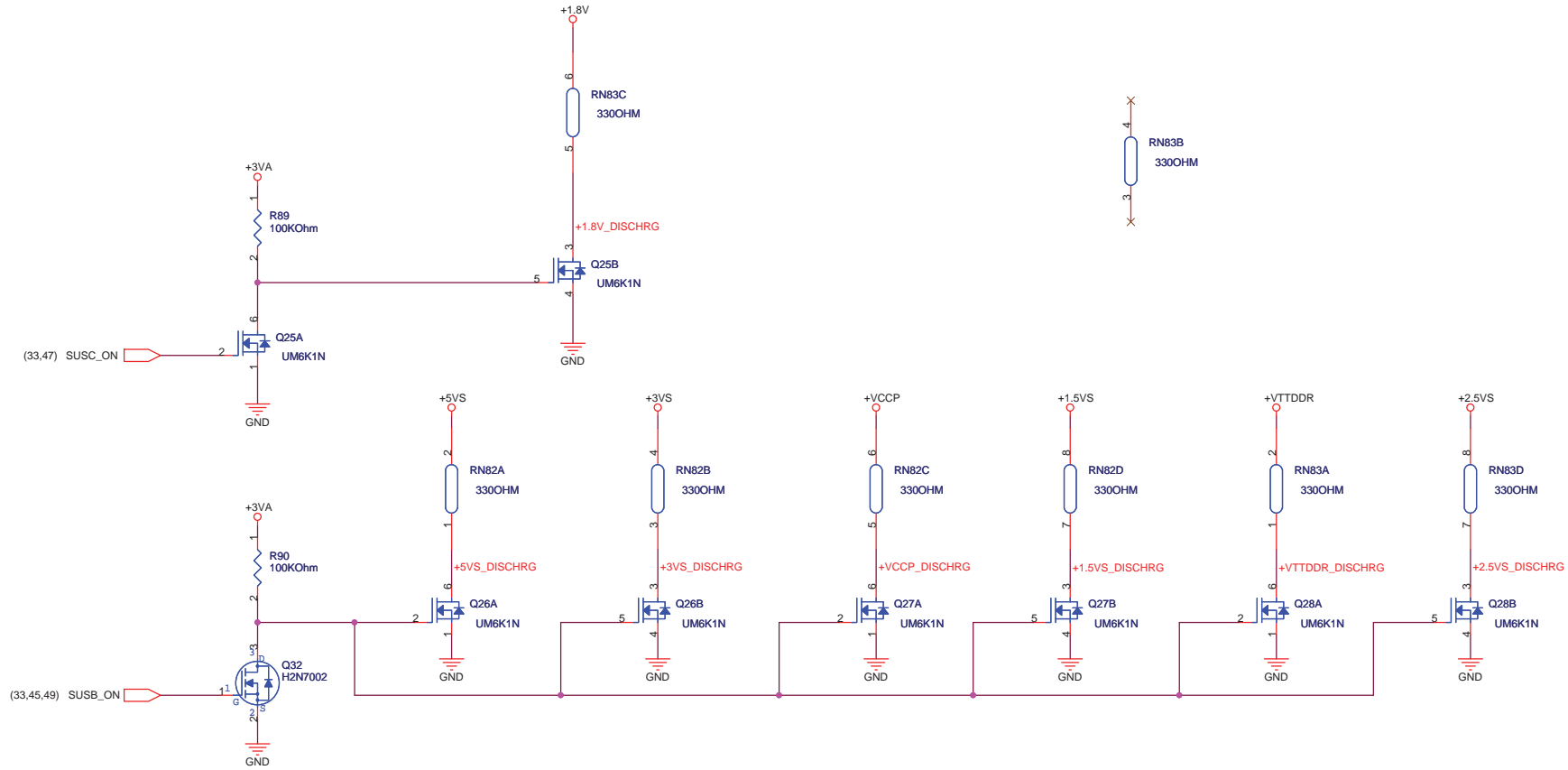


for WLAN LED



for CHARGE LED

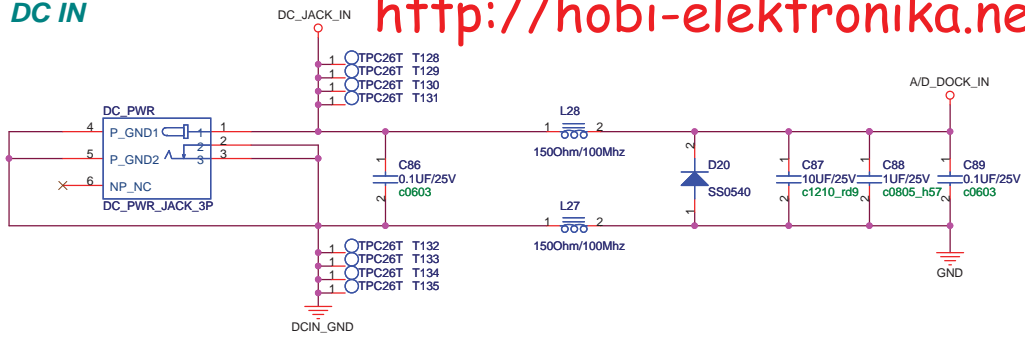




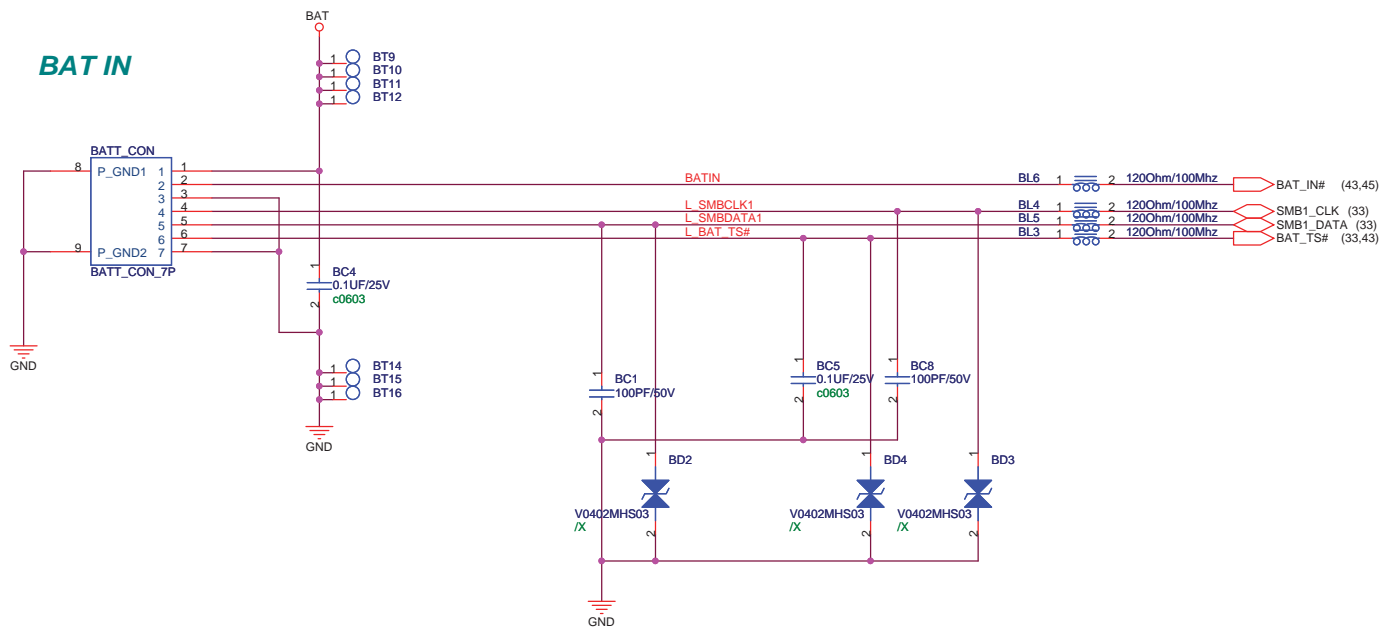
<Variant Name>

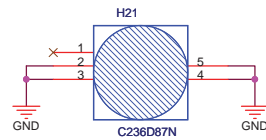
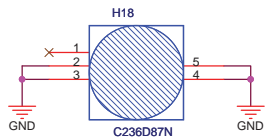
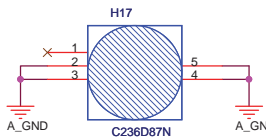
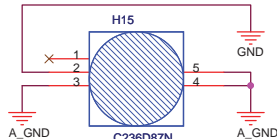
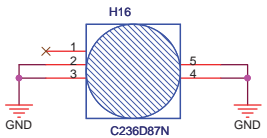
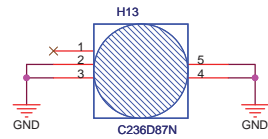
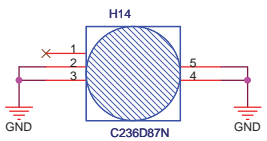
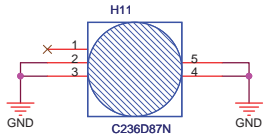
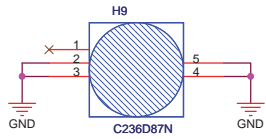
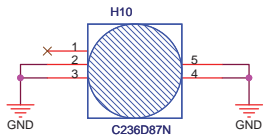
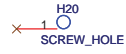
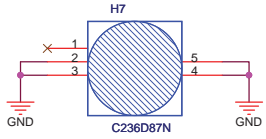
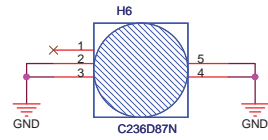
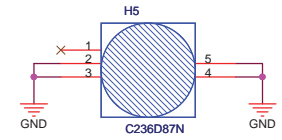
		Title : Discharge	
ASUSTek Computer INC.		Engineer: Kell_Huang	
Size A3	Project Name <b>701SDX_MB</b>	Rev R1.1G	
Date: Wednesday, August 13, 2008		Sheet	38 of 49

DC IN



BAT IN

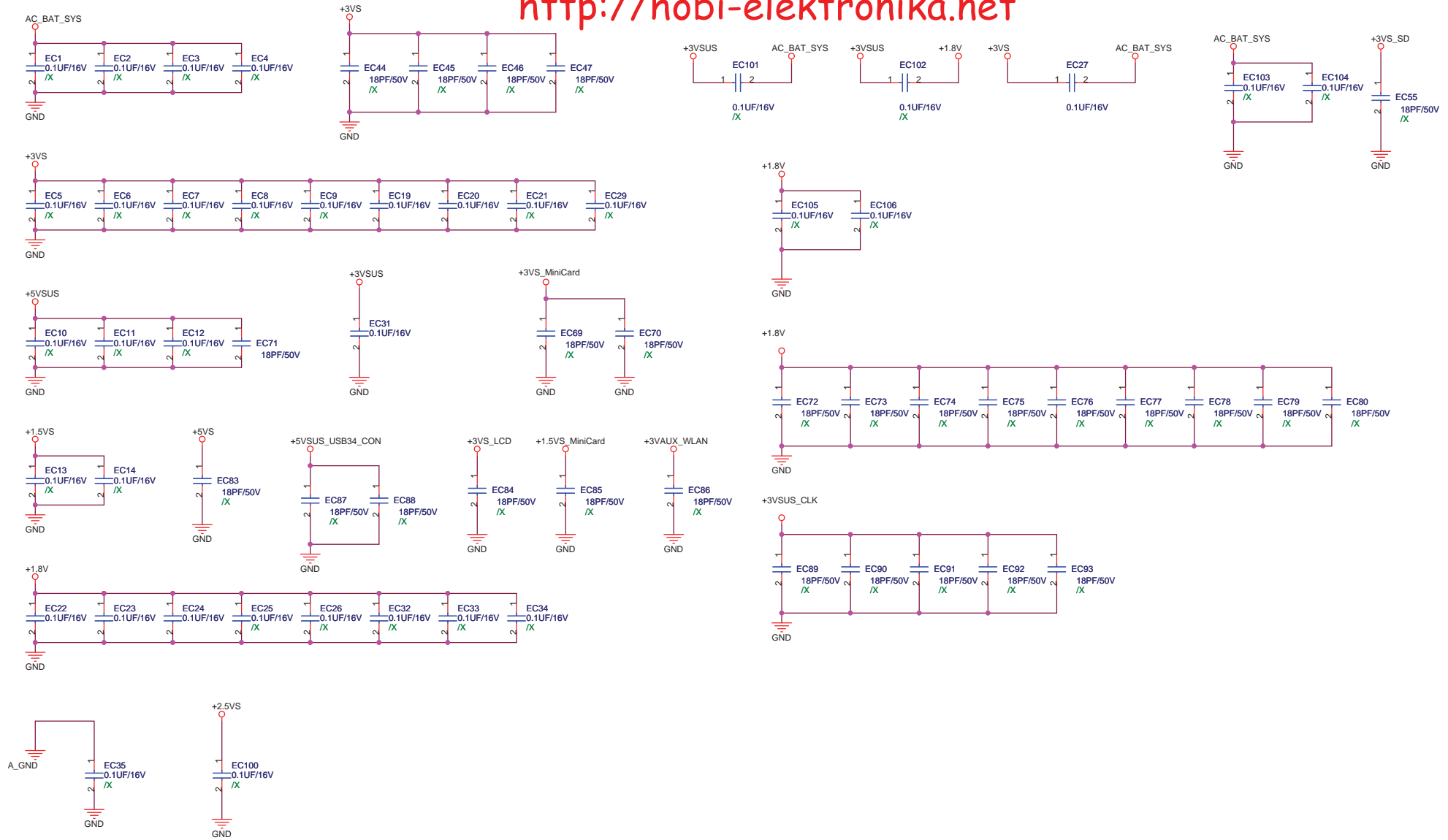




<Variant Name>

		Title : Srew Hole	
ASUSTek Computer INC.		Engineer: <i>Kell_Huang</i>	
Size A3	Project Name <b>701SDX_MB</b>	Rev R1.1G	
Date: Wednesday, August 13, 2008		Sheet	40 of 49

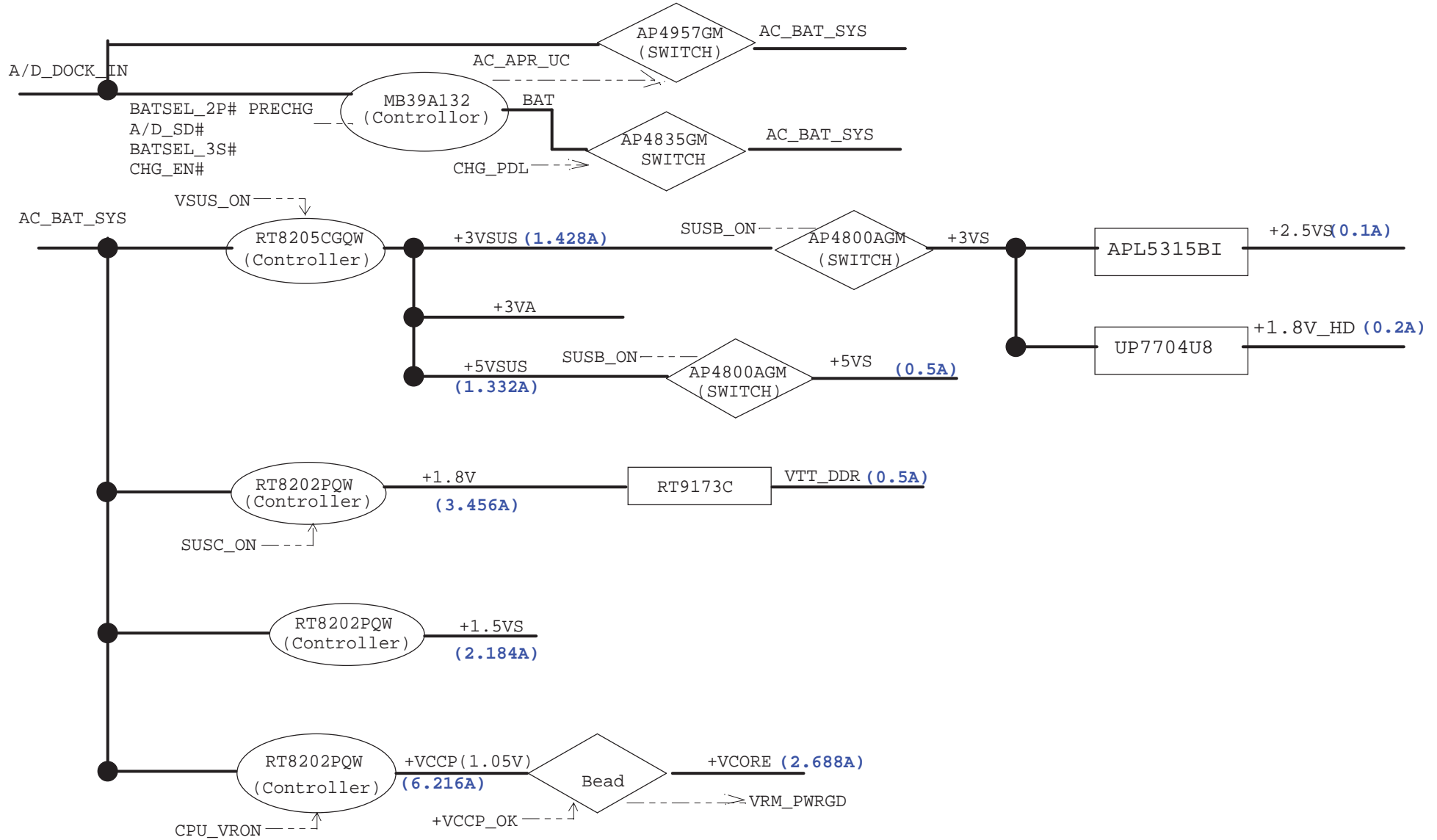


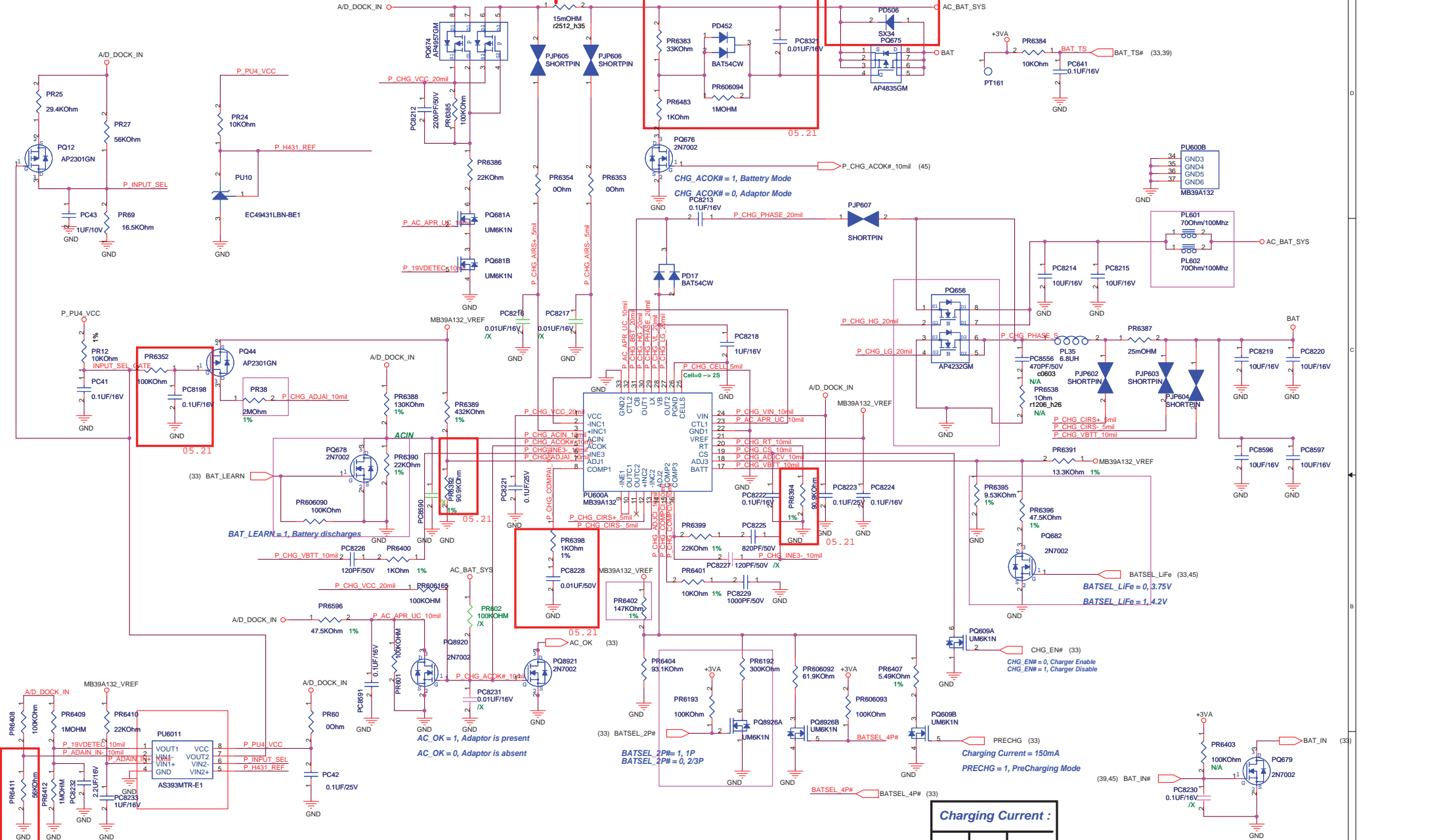


<Variant Name>

		Title : EMI	
ASUSTek Computer INC.		Engineer: Kell_Huang	
Size	Project Name	Rev	
A3	701SDX_MB	R1.1G	
Date: Wednesday, August 13, 2008		Sheet	41 of 49

POWER CHARGER





**Battery Charging Voltage :**  
 $V_{adj3} > 4.1V \implies V_{bat} = 4.2V / cell$   
 $2.2V > V_{adj3} > 1.1V \implies V_{bat} = 2 * V_{adj3} / cell$

**Battery Charging Current :**  
 $4.4V > V_{adj2} > 0V \implies I_{chg} = (V_{adj2} - 0.075) / (25 * R_s)$

**Input Adaptor Max. Current Limit :**  
 $I_{limit\_current} = (V_{adj1} - 0.075) / (25 * R_s)$

**Pre-Charging Mode :**  
 Precharging current = 150mA  
 $V_{adj2} = 168.75mV$

**Adaptor Max. Current :**  
 $PR600 = 235.8K; I_{limit} = 2.170A; 20.615W (9.5V/22W)$   
 $PR600 = 185.3K; I_{limit} = 2.677A; 32.124W (12V/36W)$

**ACIN Threshold = 1.25V**  
 Adaptor > 8.63V, System Powered by Adaptor  
 Adaptor < 8.63V, System Powered by Battery

**Prevent Input from 19V :**  
 Adaptor > 13.06V, PQ603B Turn-off  
 Adaptor < 13.06V, PQ603B Turn-on

**Battery Cell Selection :**  
 $BATSEL\_2P\# = 1, 2 \text{ Cells}; V_{adj2} = 0.997V \implies I_{charge} = 1.474A$   
 $BATSEL\_2P\# = 0, 4/6 \text{ Cells}; V_{adj2} = 1.636V \implies I_{charge} = 2.498A$

**VREF = 5.0V**  
 $f_{osc}(KHz) = 17000 / RT (KOhm)$   
 Soft start:  $t_s(s) = 0.13 * CS (\mu F)$

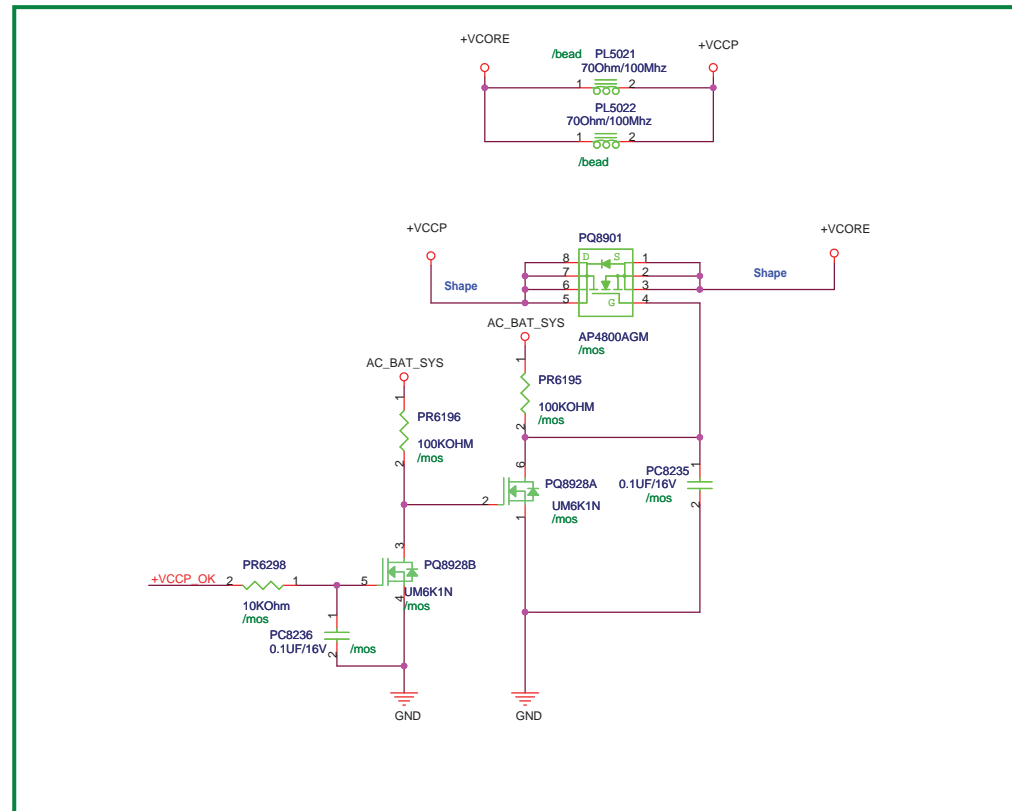
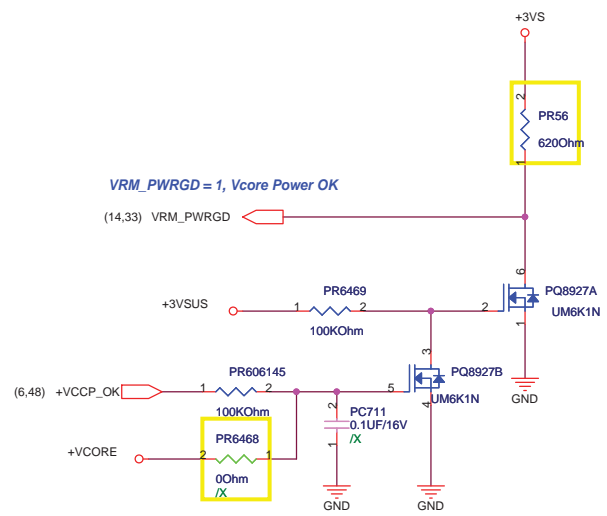
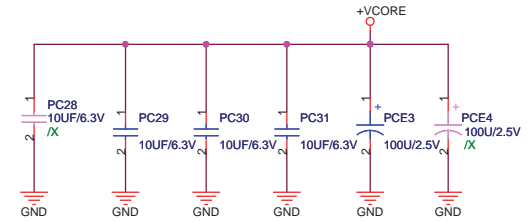
VTH of -IN1:  $5V / 62 * (100+62) = 13.06V$

VTH of ACIN:  $1.25V / 25 * (185+25) = 10.5V$   
 Change PR607 and PR608 value

**Charging Current :**

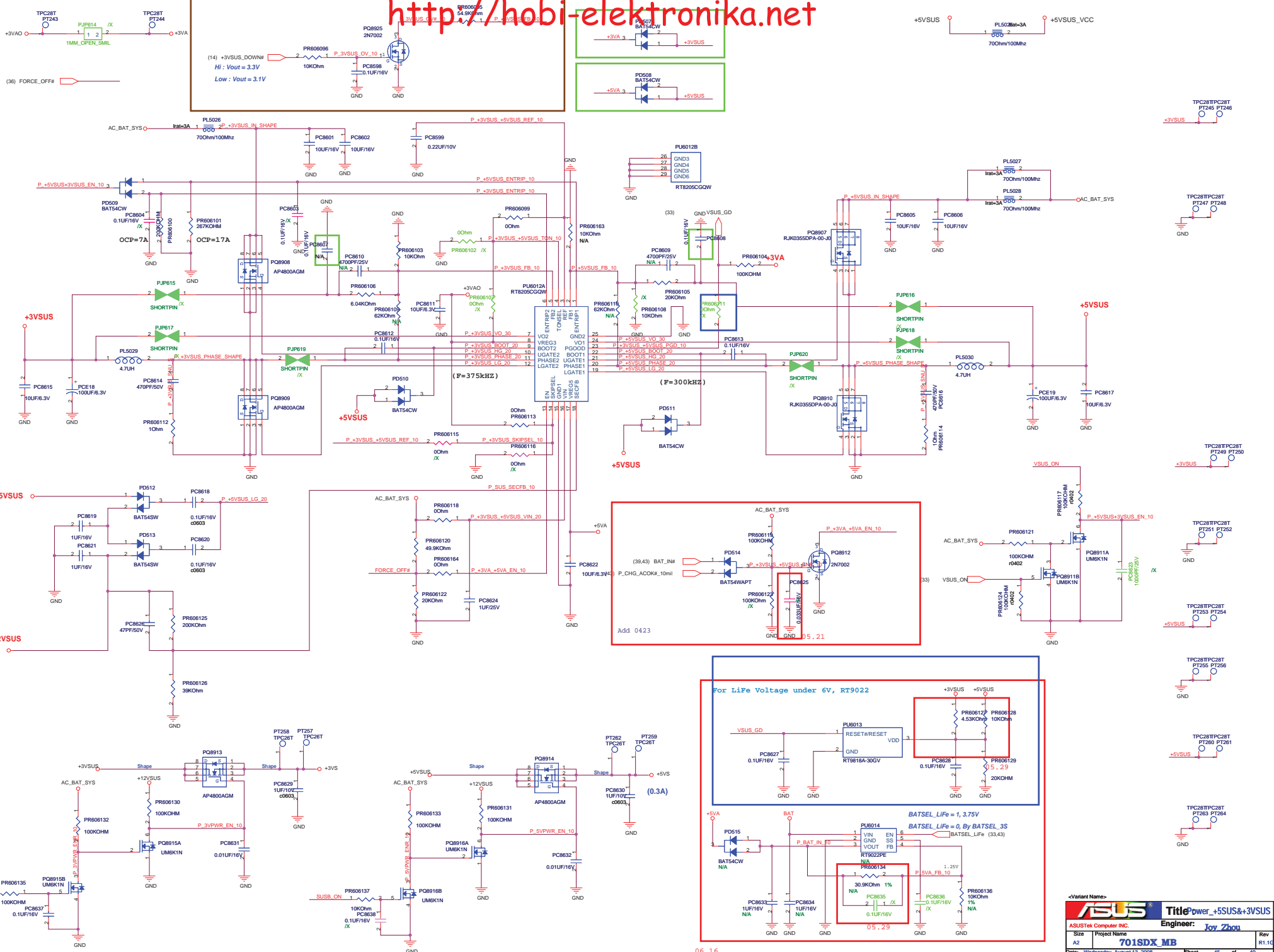
4P#	2P#	Icharge
1	0	1.5A
0	1	2.5A
0	0	3.0A

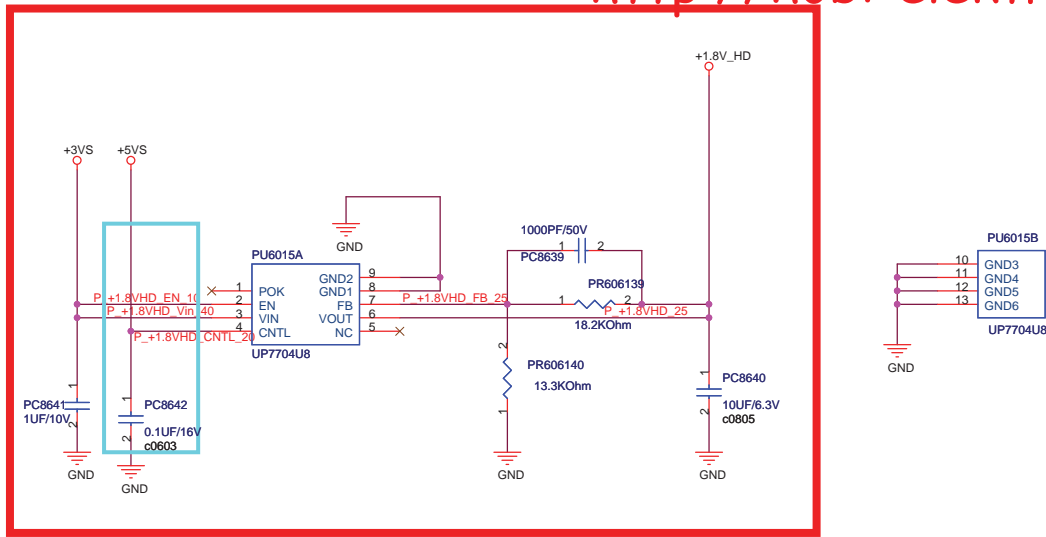
**+Vcore / 7A**



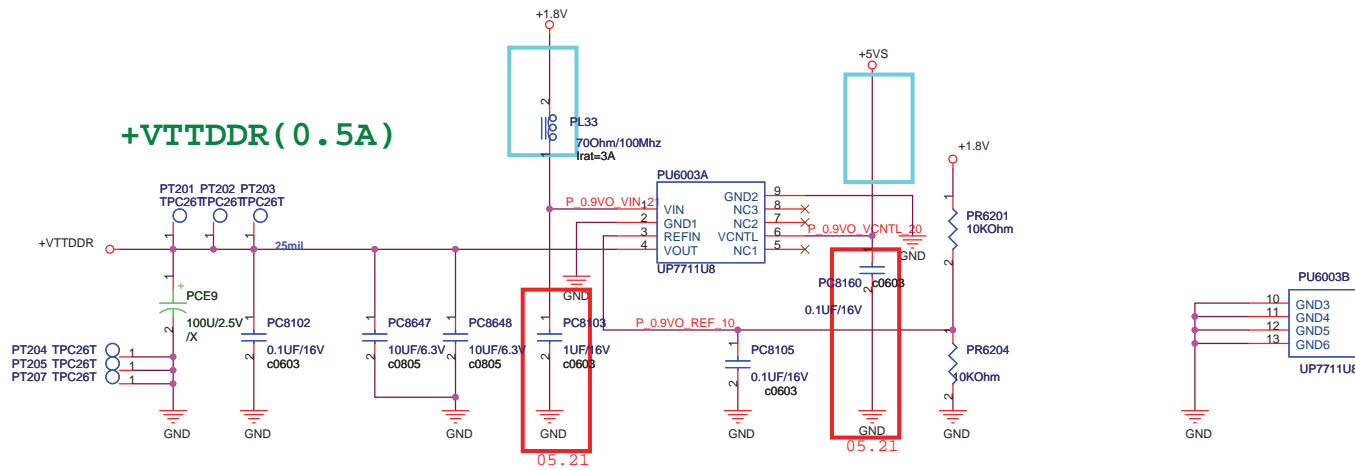
<Variant Name>

<b>ASUS</b>		<b>Title : Vcore</b>	
ASUSTek Computer INC.		<b>Engineer: Joy_Zhou</b>	
Size A3	Project Name <b>701SDX_MB</b>	Rev R1.1G	
Date: Wednesday, August 13, 2008		Sheet	44 of 49



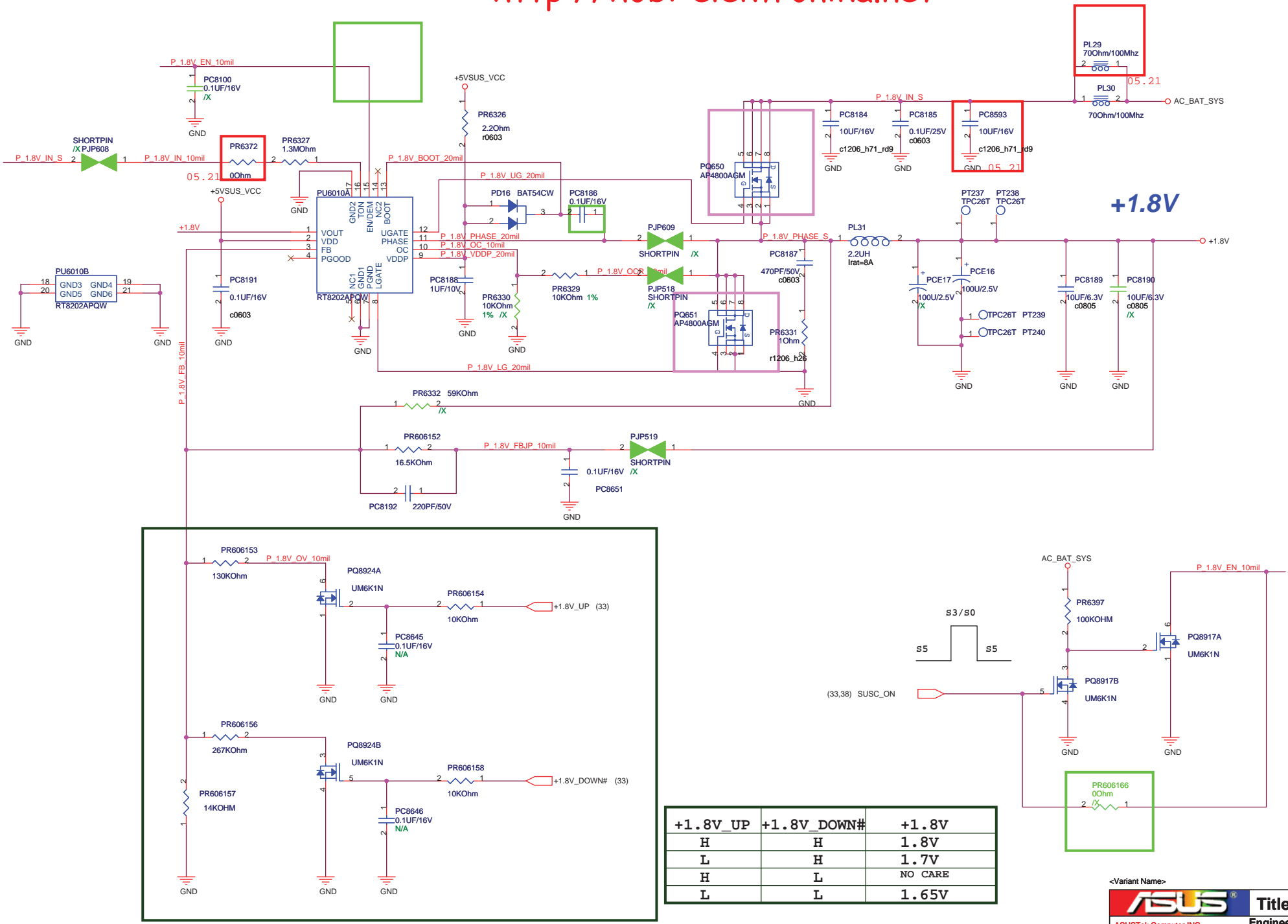


**+VTTDDR (0.5A)**



<Variant Name>

		<b>Title : 3V_5V_VTT_DDR</b>	
ASUSTek Computer INC.		Engineer: Joy_Zhou	
Size	Project Name		Rev
A3	<b>701SDX_MB</b>		R1.1G
Date: Wednesday, August 13, 2008		Sheet	46 of 49

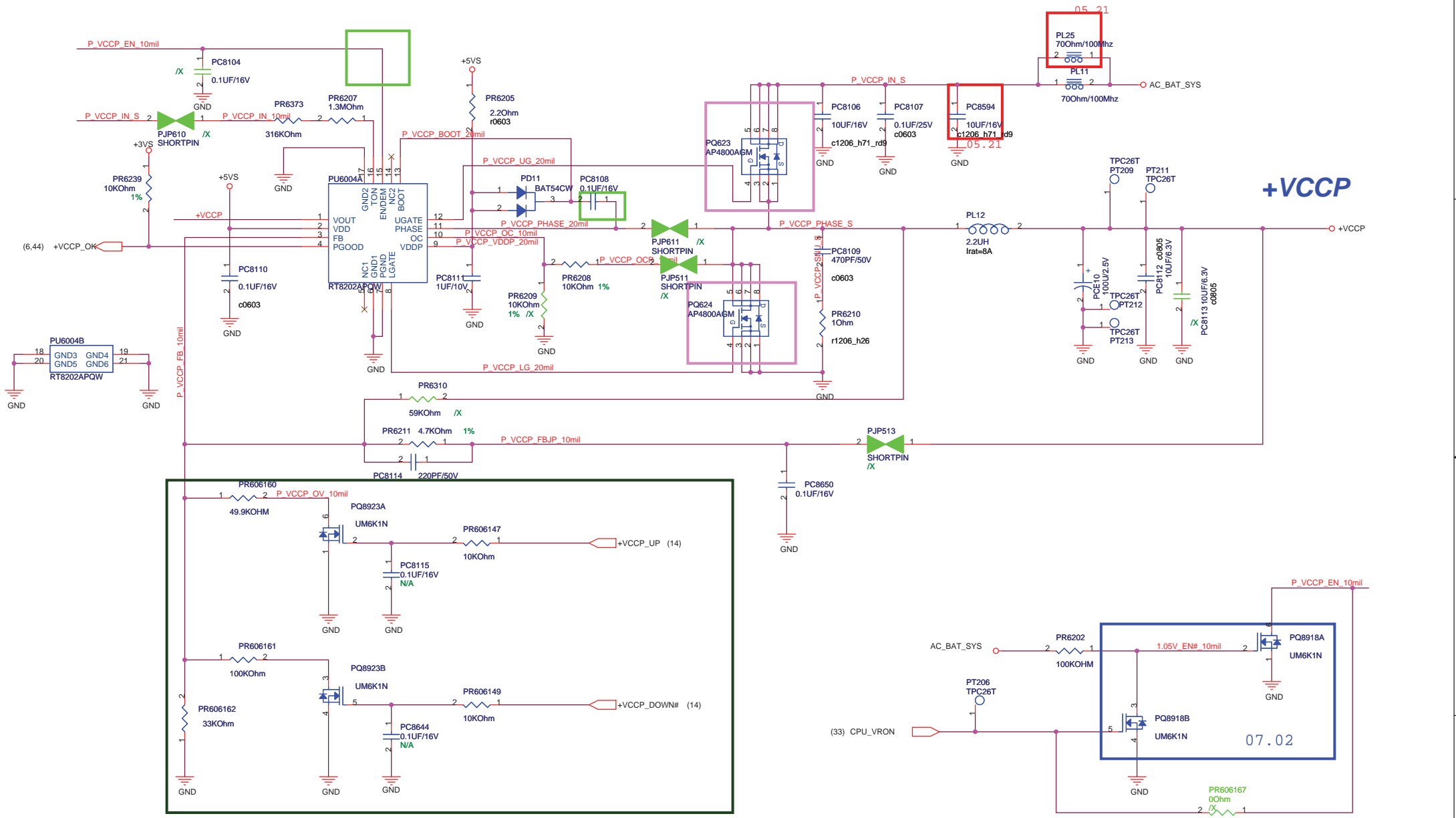


**+1.8V**

+1.8V_UP	+1.8V_DOWN#	+1.8V
H	H	1.8V
L	H	1.7V
H	L	NO CARE
L	L	1.65V

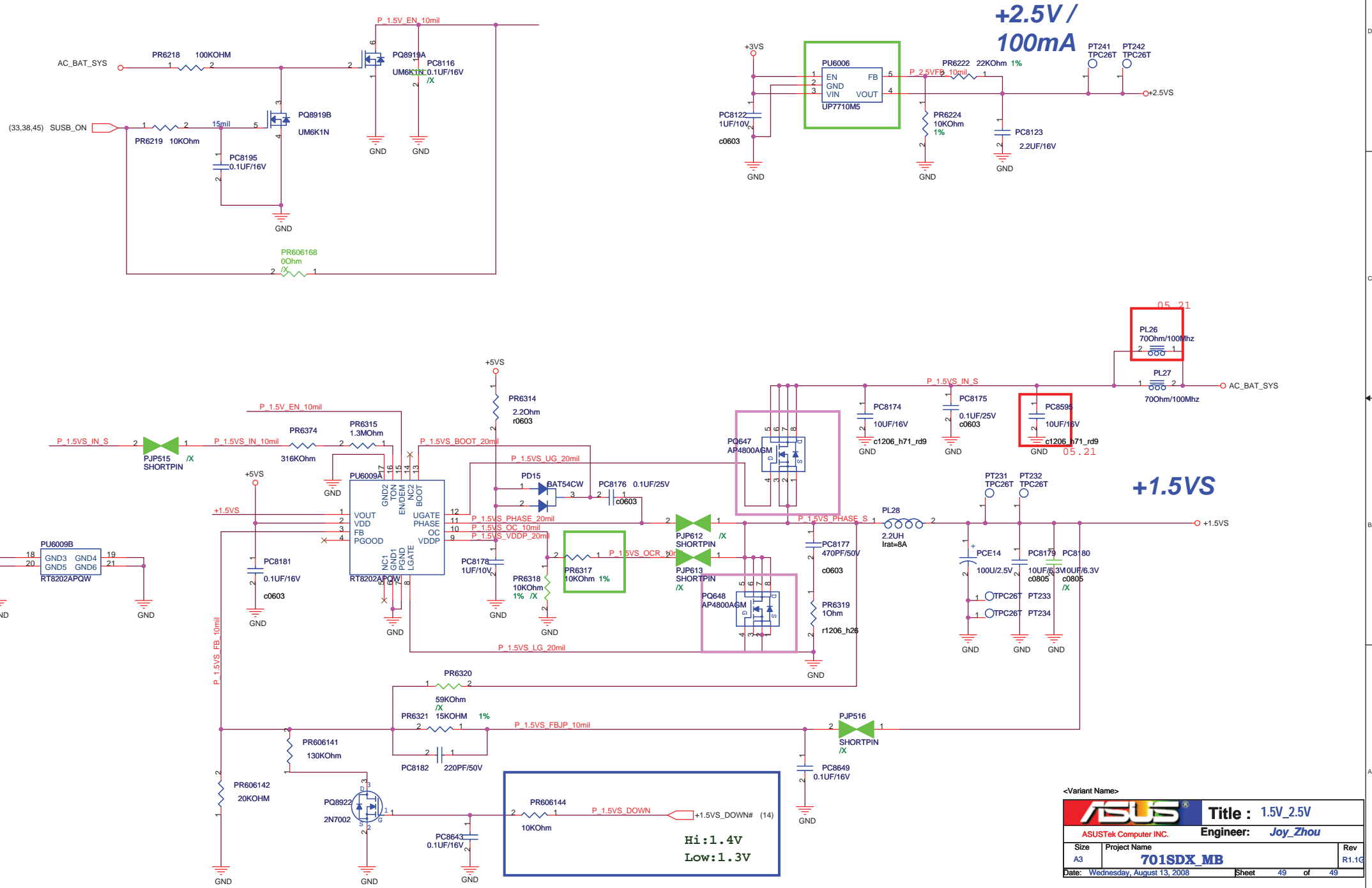
<Variant Name>

<b>ASUS</b>		<b>Title : +1.8V</b>	
ASUSTek Computer INC.		Engineer: <b>Joy_Zhou</b>	
Size	Project Name		Rev
A3	<b>701SDX_MB</b>		R1.1G
Date:	Wednesday, August 13, 2008	Sheet	47 of 49



+VCCP_UP	+VCCP_DOWN#	+VCCP
H	H	0.96V
L	H	0.89V
H	L	NO CARE
L	L	0.85V





<Variant Names>

<b>ASUS</b>		<b>Title : 1.5V_2.5V</b>	
ASUSTek Computer INC.		Engineer: <b>Joy_Zhou</b>	
Size	Project Name		Rev
A3	<b>701SDX_MB</b>		R1.1G
Date:	Wednesday, August 13, 2008	Sheet	49 of 49