

1. ALL RESISTANCE VALUES ARE IN OHMS, 0.1 WATT +/- 5%.
 2. ALL CAPACITANCE VALUES ARE IN MICROFARADS.
 3. ALL CRYSTALS & OSCILLATOR VALUES ARE IN HERTZ.

Tue Jul 5 21:36:16 2011

REV	ECN	DESCRIPTION OF REVISION	CK APPD	DATE
12	0001170763	ENGINEERING RELEASED		2011-07-05

N94 POR MLB_V3 DVT FOR BOARD_REV11/REV12

PDF PAGE	CSA PAGE	CONTENTS	SYNC MASTER	DATE
1	1	TABLE OF CONTENTS		
2	2	H4P JTAG, USB, PLL		
3	3	H4P GPIO, UART, SPI, I2S, I2C, SDIO		
4	4	H4P SDRAM POWER		
5	5	H4P SOC, CPU, IO POWER		
6	6	H4P NAND&GND, NAND		
7	7	H4P MIPI, CAMERA SENSOR		
8	8	H4P VIDEO OUT, FLEX CONNECTORS		
9	9	L63 AUDIO CODEC		
10	10	HEAD PHONE		
11	11	ANGELINA PMU(1/2)		
12	12	ANGELINA PMU(2/2)		
13	13	ACCEL, GYRO, COMPASS, SPK AMP		
14	14	DOCK CONNECTOR, SPK AMP		
15	15	NIMBUS, LCD		
16	16	FF&MAIN CAMERA, STROBE		
17	17	RF INTERFACE, SHIELD, STANDOFFS		
18	18	TEST POINTS		

SCH 051-8890
 BRD 820-3031
 MCO 056-4257

BOM 639-1723 (16G, GUC, US)
 BOM 639-1724 (32G, GUC, US)
 BOM 639-1777 (64G, GUC, US)
 BOM 639-2727 (16G, GU, US)
 BOM 639-2728 (32G, GU, US)
 BOM 639-2729 (64G, GU, US)
 BOM 639-2788 (16G, GU, EU)
 BOM 639-2789 (32G, GU, EU)
 BOM 639-2790 (64G, GU, EU)

N94 EEEE BOM LABELS

PART#	QTY	DESCRIPTION	REFERENCE DESIGNATOR(S)	CRITICAL	BOM OPTION
825-2029	1	EEEE FOR 639-1723 (16G)	EEEE_DJF1	Y	EEEE_16G_GUC_US
825-2029	1	EEEE FOR 639-1724 (32G)	EEEE_DJF2	Y	EEEE_32G_GUC_US
825-2029	1	EEEE FOR 639-1777 (64G)	EEEE_DR00	Y	EEEE_64G_GUC_US
825-2029	1	EEEE FOR 639-2727 (16G)	EEEE_DQ5M	Y	EEEE_16G_GU_US
825-2029	1	EEEE FOR 639-2728 (32G)	EEEE_DQ5D	Y	EEEE_32G_GU_US
825-2029	1	EEEE FOR 639-2729 (64G)	EEEE_DQ5G	Y	EEEE_64G_GU_US
825-2029	1	EEEE FOR 639-2788 (16G)	EEEE_DR42	Y	EEEE_16G_GU_EU
825-2029	1	EEEE FOR 639-2789 (32G)	EEEE_DR44	Y	EEEE_32G_GU_EU
825-2029	1	EEEE FOR 639-2790 (64G)	EEEE_DR41	Y	EEEE_64G_GU_EU

WIFI/BT MODULE BOM OPTIONS

PART#	QTY	DESCRIPTION	REFERENCE DESIGNATOR(S)	CRITICAL	BOM OPTION
339S0143	1	MURATA WIFI_BT MODULE	U1_RF	Y	WIFI_BT_MODULE

WIFI/BT MODULE ALTERNATE

PART NUMBER	ALTERNATE FOR PART NUMBER	BOM OPTION	REF DES	COMMENTS:
339S0154	339S0143	WIFI_BT_MODULE	U1_RF	USI WIFI_BT_MODULE
339S0155	339S0143	WIFI_BT_MODULE	U1_RF	SEMCO WIFI_BT_MODULE

UPPER ANTENNA MATCHING BOM OPTIONS

PART#	QTY	DESCRIPTION	REFERENCE DESIGNATOR(S)	CRITICAL	BOM OPTION
131S0318	1	CAP_CER_COG, 1.6PF, +/-0.1PF, 25V, 0201, HQ	C6_RF	Y	UAT_US
152S0562	1	IND_WW_HF, 5.1NH, +/-0.2NH, 470MA, 03015	L12_RF	Y	UAT_US
C66_RF = NOSTUFF					
131S0364	1	CAP_CER, 4.7PF, +/-0.1PF, 25V, COG, 0201, HQ	C86_RF	Y	UAT_US
152S1240	1	IND_WW_HF, 4.3NH, +/-0.2NH, 530MA, 03015	L14_RF	Y	UAT_US
131S0279	1	CAP_CER_COG, 1.3PF, +/-0.1PF, 25V, 0201, HQ	C6_RF	Y	UAT_EU
152S0562	1	IND_WW_HF, 5.1NH, +/-0.2NH, 470MA, 03015	L12_RF	Y	UAT_EU
131S0278	1	CAP_CER_CCOG, HF, 1PF, +/-0.1PF, 25V, 0201, HQ	C66_RF	Y	UAT_EU
131S0449	1	CAP_CER, 3.6PF, +/-0.1PF, 25V, COG, 0201, HQ	C86_RF	Y	UAT_EU
152S1240	1	IND_WW_HF, 4.3NH, +/-0.2NH, 530MA, 03015	L14_RF	Y	UAT_EU

4.3UF CAP ALTERNATE

PART NUMBER	ALTERNATE FOR PART NUMBER	BOM OPTION	REF DES	COMMENTS:
138S0702	138S0657			MURATA 4.3UF CAP

INVERTER GATE ALTERNATE

PART NUMBER	ALTERNATE FOR PART NUMBER	BOM OPTION	REF DES	COMMENTS:
311S0549	311S0539		U19_RF	TI INVERTER GATE

AND GATE ALTERNATE

PART NUMBER	ALTERNATE FOR PART NUMBER	BOM OPTION	REF DES	COMMENTS:
311S0548	311S0398		U18_RF, U20_RF	TI 2-INPUT AND GATE

19.2MHZ ALTERNATE

PART NUMBER	ALTERNATE FOR PART NUMBER	BOM OPTION	REF DES	COMMENTS:
197S0402	197S0340		Y1_RF	NDK 19.2MHZ XTAL

N94 SCH & PCB BOM CALLOUT

PART#	QTY	DESCRIPTION	REFERENCE DESIGNATOR(S)	CRITICAL	BOM OPTION
051-8890	1	N94_MLB_V3 SCHEMATIC	SCH	Y	?
820-3031	1	N94_MLB_V3 PCB	PCB	Y	?

NAND BOM OPTIONS

PART#	QTY	DESCRIPTION	REFERENCE DESIGNATOR(S)	CRITICAL	BOM OPTION
335S0781	1	16G, HYNIX 26NM PPN10 TLGA52	U1	Y	NAND_16GB_PPN10
335S0782	1	32G, HYNIX 26NM PPN10 TLGA52	U1	Y	NAND_32GB_PPN10
335S0814	1	64G, HYNIX 26NM PPN10 TLGA52	U1	Y	NAND_64GB_PPN10

PART NUMBER	ALTERNATE FOR PART NUMBER	BOM OPTION	REF DES	COMMENTS:
335S0815	335S0781	NAND_16GB_PPN10	U1	16G, SAMSUNG, 27NM PPN10
335S0804	335S0781	NAND_16GB_PPN10	U1	16G, TOSHIBA, 24NM PPN10
335S0816	335S0782	NAND_32GB_PPN10	U1	32G, SAMSUNG, 27NM PPN10
335S0805	335S0782	NAND_32GB_PPN10	U1	32G, TOSHIBA, 24NM PPN10
335S0806	335S0814	NAND_64GB_PPN10	U1	64G, TOSHIBA, 24NM PPN10

VIDEO BUFFER ALTERNATE

PART NUMBER	ALTERNATE FOR PART NUMBER	BOM OPTION	REF DES	COMMENTS:
343S0539	343S0520		U9	INTERSIL VIDEO BUFFER

32KHZ XTAL ALTERNATE

PART NUMBER	ALTERNATE FOR PART NUMBER	BOM OPTION	REF DES	COMMENTS:
197S0382	197S0392		Y1	TXC XTAL

STROBE INDUCTOR ALTERNATE

PART NUMBER	ALTERNATE FOR PART NUMBER	BOM OPTION	REF DES	COMMENTS:
152S1173	152S0979		L9	CYNTEC INDUCTOR

CHARGER INDUCTOR ALTERNATE

PART NUMBER	ALTERNATE FOR PART NUMBER	BOM OPTION	REF DES	COMMENTS:
152S1051	152S0927		L28	CYNTEC INDUCTOR

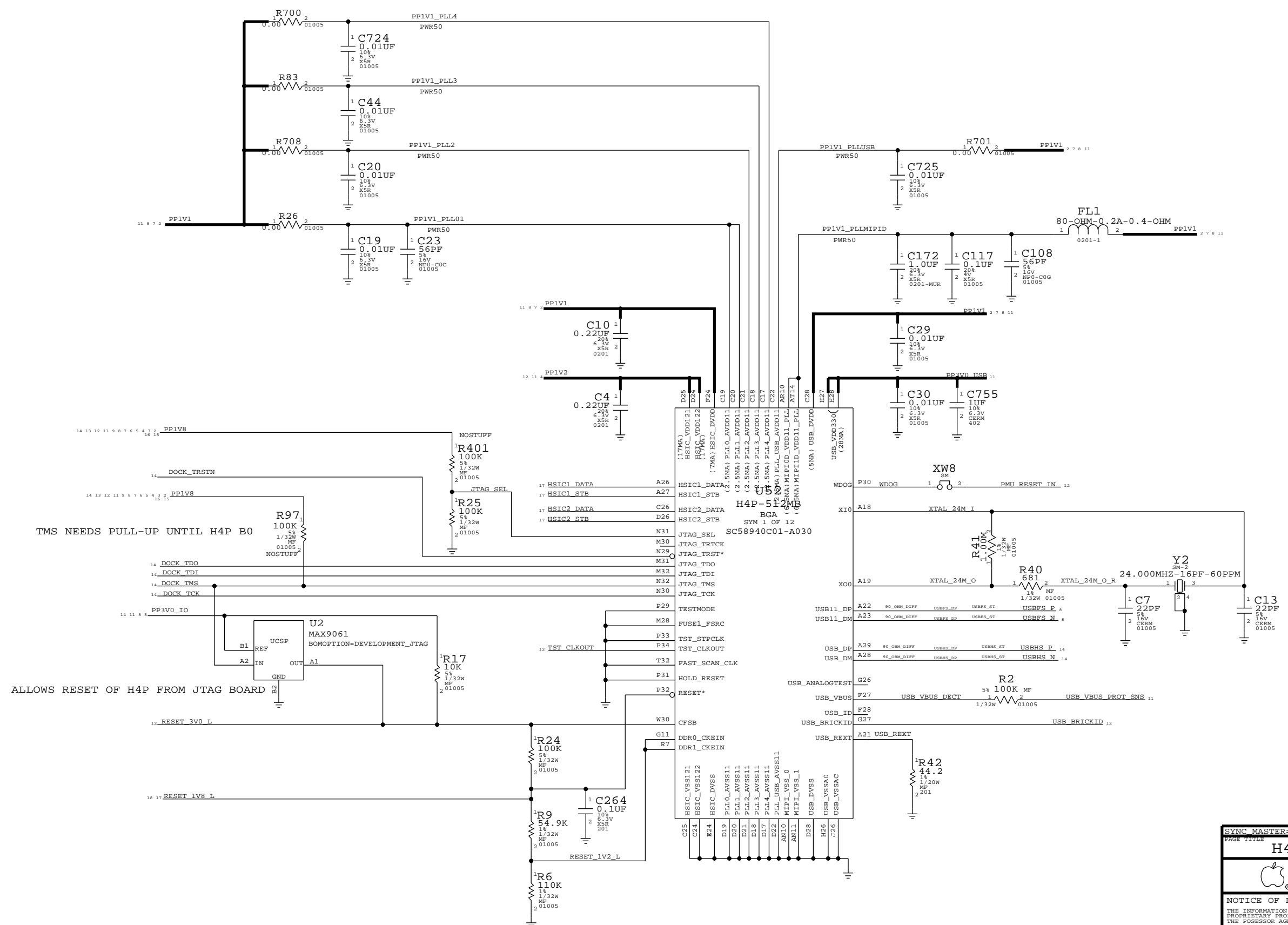
LEVEL TRANSLATOR ALTERNATE

PART NUMBER	ALTERNATE FOR PART NUMBER	BOM OPTION	REF DES	COMMENTS:
311S0562	311S0372		U11	TI LEVEL TRANSLATOR

THERMISTOR ALTERNATE

PART NUMBER	ALTERNATE FOR PART NUMBER	BOM OPTION	REF DES	COMMENTS:
107S0208	107S0150		R21, R22, R34, R35	MURATA THERMISTOR

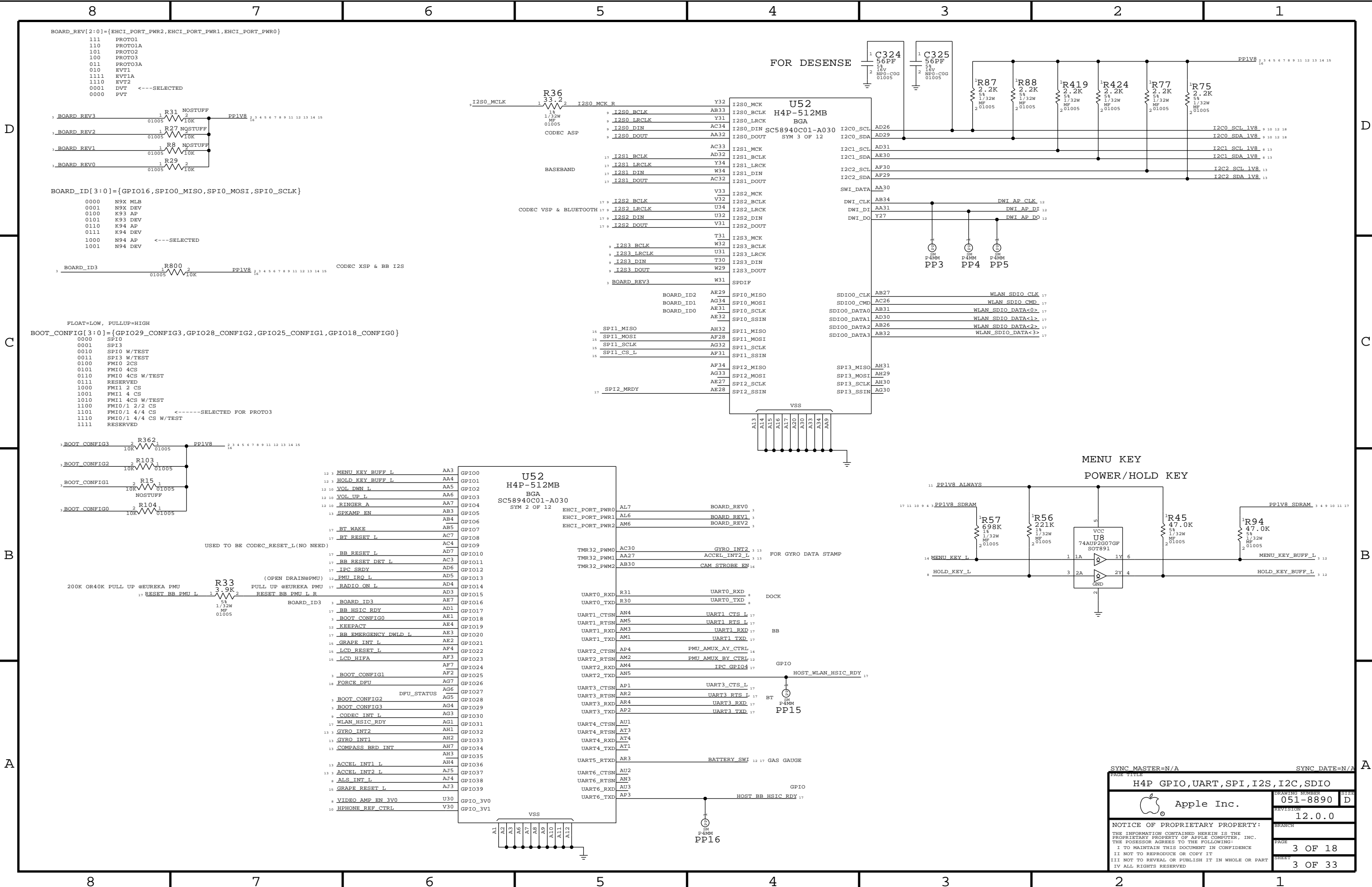
DRAWING TITLE		SYNC MASTER=N/A		SYNC DATE=N/A	
N94 MLB_V3				DRAWING NUMBER	051-8890
Apple Inc.				REVISION	12.0.0
NOTICE OF PROPRIETARY PROPERTY:				BRANCH	
THE INFORMATION CONTAINED HEREIN IS THE PROPRIETARY PROPERTY OF APPLE COMPUTER, INC. THE POSSESSOR AGREES TO THE FOLLOWING:				PAGE	1 OF 18
I TO MAINTAIN THIS DOCUMENT IN CONFIDENCE				SHEET	1 OF 33
II NOT TO REPRODUCE OR COPY IT					
III NOT TO REVEAL OR PUBLISH IT IN WHOLE OR PART					
IV ALL RIGHTS RESERVED					



TMS NEEDS PULL-UP UNTIL H4P B0

ALLOWS RESET OF H4P FROM JTAG BOARD

SYNC MASTER=N/A		SYNC DATE=N/A	
H4P JTAG, USB, PLL			
Apple Inc.		DRAWING NUMBER	SIZE
NOTICE OF PROPRIETARY PROPERTY: THE INFORMATION CONTAINED HEREIN IS THE PROPRIETARY PROPERTY OF APPLE COMPUTER, INC. THE POSSESSOR AGREES TO THE FOLLOWING: I TO MAINTAIN THIS DOCUMENT IN CONFIDENCE II NOT TO REPRODUCE OR COPY IT III NOT TO REVEAL OR PUBLISH IT IN WHOLE OR PART IV ALL RIGHTS RESERVED		051-8890	D
		REVISION	12.0.0
		PAGE	2 OF 18
		SHEET	2 OF 33



```

BOARD_REV[2:0]={EHCI_PORT_PWR2,EHCI_PORT_PWR1,EHCI_PORT_PWR0}
111  PROTO1
110  PROTO1A
101  PROTO2
100  PROTO3
011  PROTO3A
010  EVT1
1111 EVT1A
1110 EVT2
0001 DVT
0000 PVT
    
```

```

BOARD_ID[3:0]={GPIO16,SPI0_MISO,SPI0_MOSI,SPI0_SCLK}
0000 N9X MLB
0001 N9X DEV
0100 K93 AP
0101 K93 DEV
0110 K94 AP
0111 K94 DEV
1000 N94 AP
1001 N94 DEV
    
```

```

FLOAT=LOW, PULLUP=HIGH
BOOT_CONFIG[3:0]={GPIO29_CONFIG3,GPIO28_CONFIG2,GPIO25_CONFIG1,GPIO18_CONFIG0}
0000 SPI0
0001 SPI3
0010 SPI0 W/TEST
0011 SPI3 W/TEST
0100 FMIO 2CS
0101 FMIO 4CS
0110 FMIO 4CS W/TEST
0111 RESERVED
1000 FM1L 2 CS
1001 FM1L 4 CS
1010 FM1L 4CS W/TEST
1100 FMIO/1 2/2 CS
1101 FMIO/1 4/4 CS
1110 FMIO/1 4/4 CS W/TEST
1111 RESERVED
    
```

12 3	MENU_KEY_BUFF_L	AA3	GPIO0
12 3	HOLD_KEY_BUFF_L	AA4	GPIO1
12 10	VOL_DWN_L	AA5	GPIO2
12 10	VOL_UP_L	AA6	GPIO3
12 10	RINGER_A	AA7	GPIO4
13	SEKAMP_EN	AB3	GPIO5
		AB4	GPIO6
17	BT_WAKE	AB5	GPIO7
17	BT_RESET_L	AC7	GPIO8
		AC4	GPIO9
17	BB_RESET_L	AD7	GPIO10
17	BB_RESET_DET_L	AC3	GPIO11
17	IPC_SRDY	AD6	GPIO12
17	PMU_IRQ_L	AD5	GPIO13
17	RADIO_ON_L	AD4	GPIO14
3	BOARD_ID3	AE7	GPIO15
17	BB_HSI_C_RDY	AD1	GPIO17
3	BOOT_CONFIG0	AE1	GPIO18
12	KEEPACT	AE4	GPIO19
17	BB_EMERGENCY_DWLD_L	AE3	GPIO20
15	GRAPE_INT_L	AE2	GPIO21
15	LCD_RESET_L	AF4	GPIO22
15	LCD_HIFA	AF3	GPIO23
		AF7	GPIO24
		AF2	GPIO25
18	BOOT_CONFIG1	AG7	GPIO26
		AG6	GPIO27
		AG5	GPIO28
3	BOOT_CONFIG2	AG4	GPIO29
9	CODEC_INT_L	AG3	GPIO30
9	WLAN_HSI_C_RDY	AG1	GPIO31
13	GYRO_INT2	AH1	GPIO32
13	GYRO_INT1	AH2	GPIO33
13	COMPASS_BRD_INT	AH7	GPIO34
		AH3	GPIO35
		AH4	GPIO36
13	ACCEL_INT1_L	AJ5	GPIO37
13	ACCEL_INT2_L	AJ5	GPIO38
8	ALS_INT_L	AJ4	GPIO39
15	GRAPE_RESET_L	AJ3	GPIO39
8	VIDEO_AMP_EN_3V0	U30	GPIO_3V0
10	HPHONE_REF_CTRL	V30	GPIO_3V1

SYNC MASTER=N/A SYNC DATE=N/A

H4P GPIO, UART, SPI, I2S, I2C, SDIO

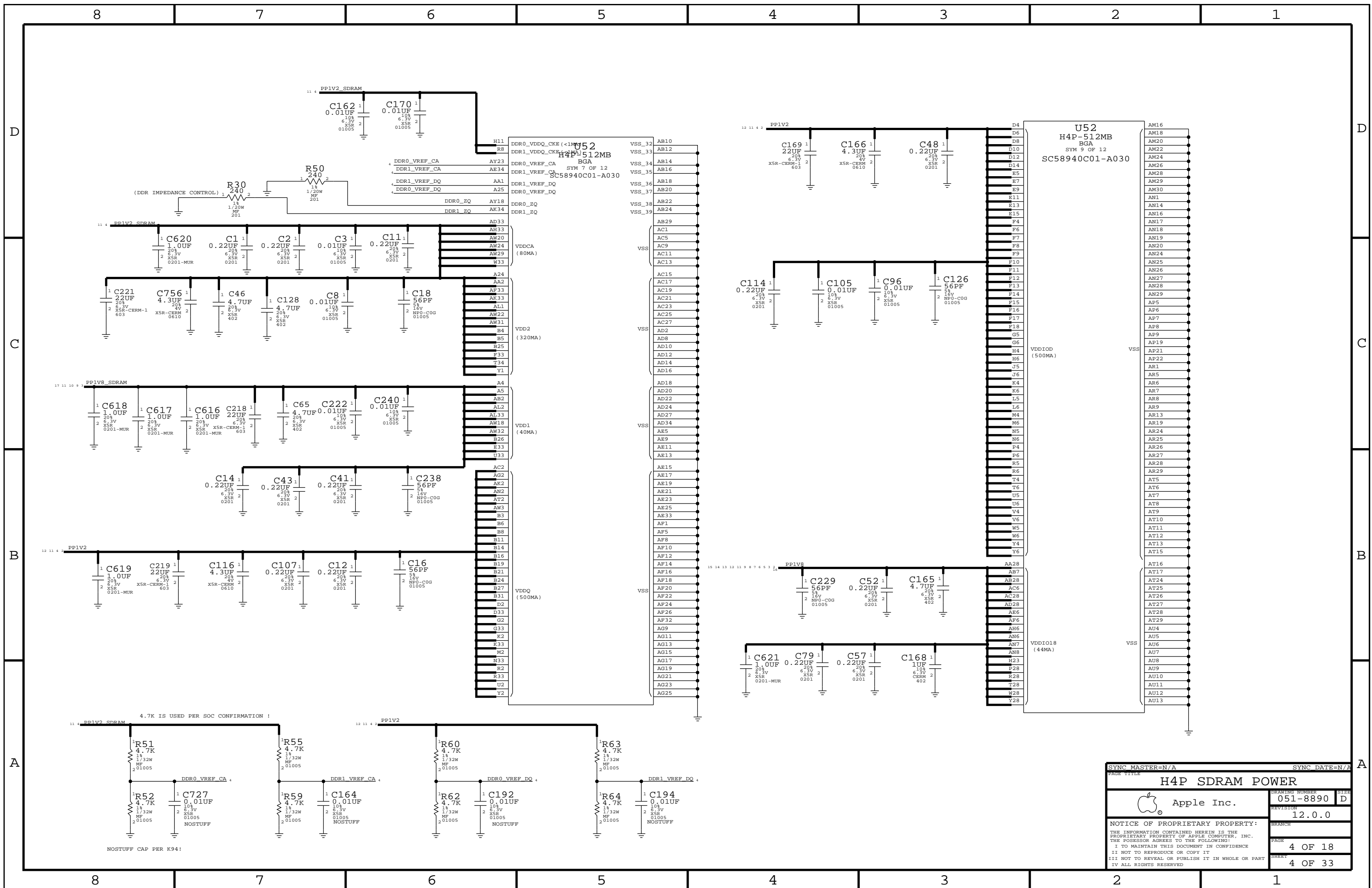
Apple Inc.

DRAWING NUMBER: 051-8890 SIZE: D

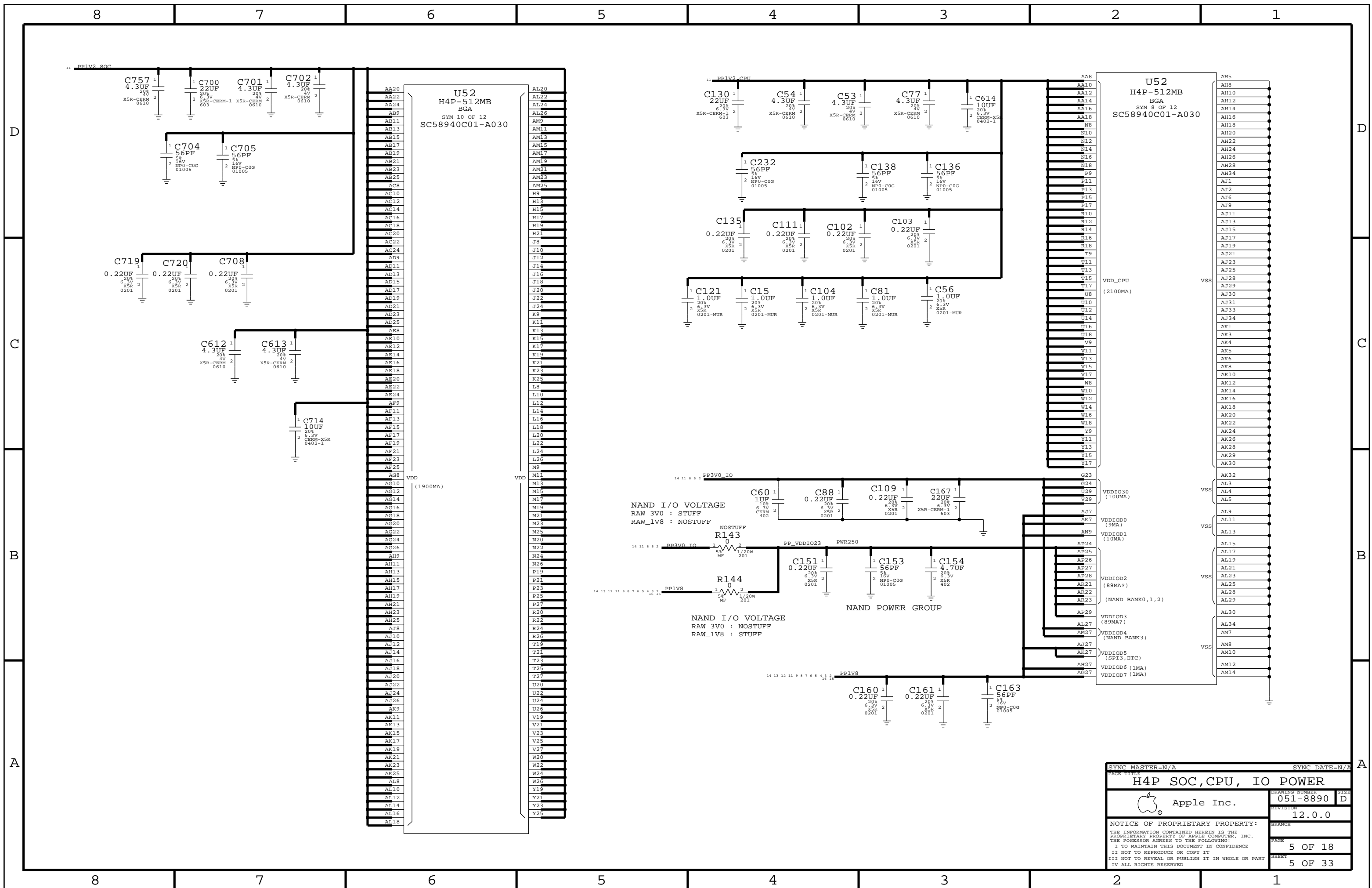
REVISION: 12.0.0

NOTICE OF PROPRIETARY PROPERTY: THE INFORMATION CONTAINED HEREIN IS THE PROPRIETARY PROPERTY OF APPLE COMPUTER, INC. THE POSSESSOR AGREES TO THE FOLLOWING: I TO MAINTAIN THIS DOCUMENT IN CONFIDENCE II NOT TO REPRODUCE OR COPY IT III NOT TO REVEAL OR PUBLISH IT IN WHOLE OR PART IV ALL RIGHTS RESERVED

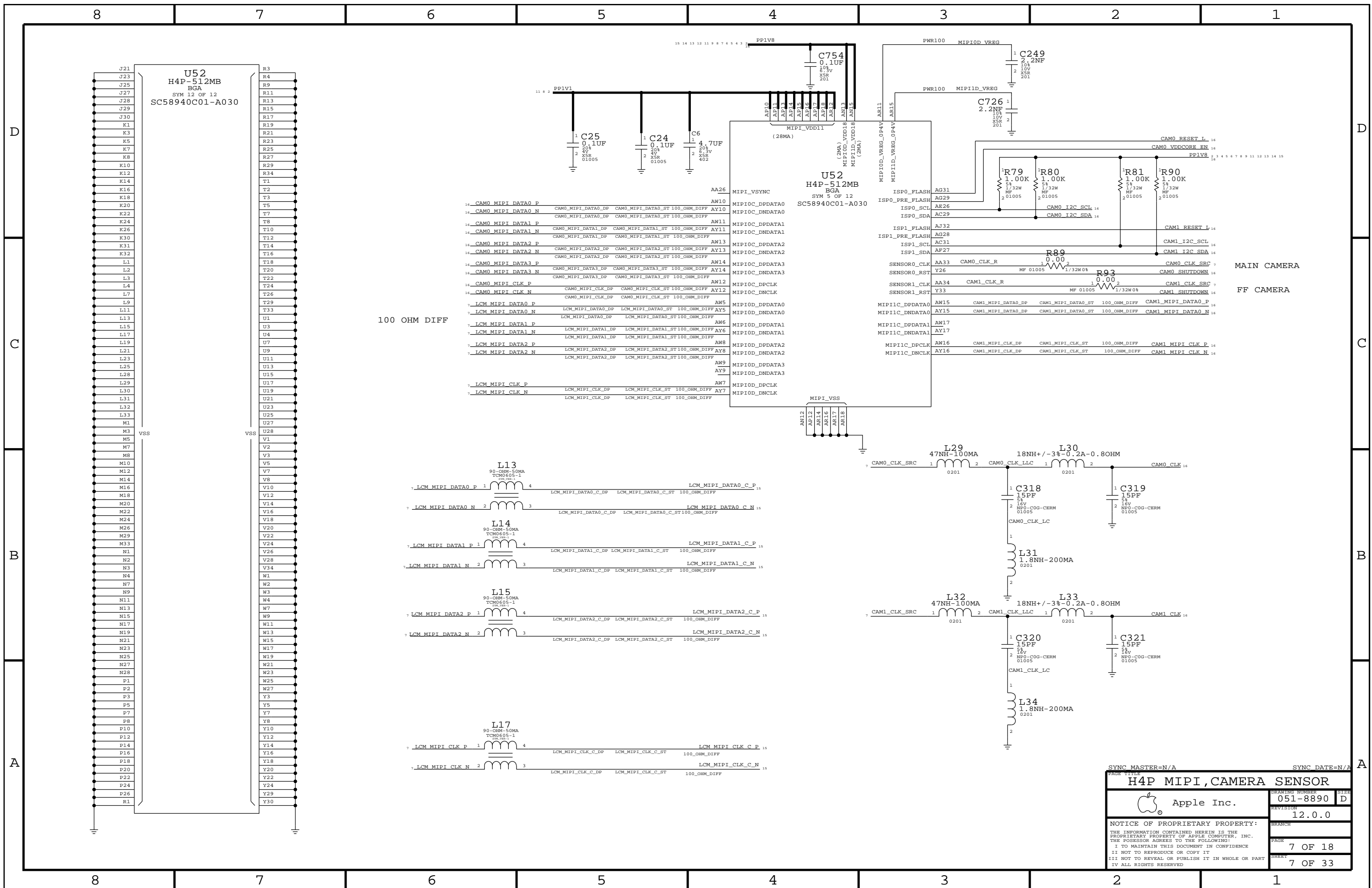
PAGE: 3 OF 18 SHEET: 3 OF 33



SYNC MASTER=N/A		SYNC DATE=N/A	
H4P SDRAM POWER			
	DRAWING NUMBER	051-8890	SIZE
	REVISION	12.0.0	
NOTICE OF PROPRIETARY PROPERTY:		BRANCH	
THE INFORMATION CONTAINED HEREIN IS THE PROPRIETARY PROPERTY OF APPLE COMPUTER, INC. THE POSSESSOR AGREES TO THE FOLLOWING: I TO MAINTAIN THIS DOCUMENT IN CONFIDENCE II NOT TO REPRODUCE OR COPY IT III NOT TO REVEAL OR PUBLISH IT IN WHOLE OR PART IV ALL RIGHTS RESERVED			
PAGE		4 OF 18	
SHEET		4 OF 33	



PAGE TITLE		SYNC DATE=N/A	
H4P SOC, CPU, IO POWER			
Apple Inc.		DRAWING NUMBER	SIZE
NOTICE OF PROPRIETARY PROPERTY:		051-8890	D
THE INFORMATION CONTAINED HEREIN IS THE PROPRIETARY PROPERTY OF APPLE COMPUTER, INC. THE POSSESSOR AGREES TO THE FOLLOWING:		REVISION	
I TO MAINTAIN THIS DOCUMENT IN CONFIDENCE		12.0.0	
II NOT TO REPRODUCE OR COPY IT		PAGE	
III NOT TO REVEAL OR PUBLISH IT IN WHOLE OR PART		5 OF 18	
IV ALL RIGHTS RESERVED		SHEET	
		5 OF 33	



U2
H4P-512MB
BGA
SYM 12 OF 12
SC58940C01-A030

U52
H4P-512MB
BGA
SYM 5 OF 12
SC58940C01-A030

14	CAMO MIPI DATA0 P	CAMO_MIPI_DATA0_DP	CAMO_MIPI_DATA0_ST 100_OHM_DIFF	AY10	MIPI0C_DPDATA0	MIPI0C_DNDATA0
16	CAMO MIPI DATA0 N	CAMO_MIPI_DATA0_DP	CAMO_MIPI_DATA0_ST 100_OHM_DIFF	AY10	MIPI0C_DPDATA0	MIPI0C_DNDATA0
16	CAMO MIPI DATA1 P	CAMO_MIPI_DATA1_DP	CAMO_MIPI_DATA1_ST 100_OHM_DIFF	AY11	MIPI0C_DPDATA1	MIPI0C_DNDATA1
16	CAMO MIPI DATA1 N	CAMO_MIPI_DATA1_DP	CAMO_MIPI_DATA1_ST 100_OHM_DIFF	AY11	MIPI0C_DPDATA1	MIPI0C_DNDATA1
16	CAMO MIPI DATA2 P	CAMO_MIPI_DATA2_DP	CAMO_MIPI_DATA2_ST 100_OHM_DIFF	AY13	MIPI0C_DPDATA2	MIPI0C_DNDATA2
16	CAMO MIPI DATA2 N	CAMO_MIPI_DATA2_DP	CAMO_MIPI_DATA2_ST 100_OHM_DIFF	AY13	MIPI0C_DPDATA2	MIPI0C_DNDATA2
16	CAMO MIPI DATA3 P	CAMO_MIPI_DATA3_DP	CAMO_MIPI_DATA3_ST 100_OHM_DIFF	AY14	MIPI0C_DPDATA3	MIPI0C_DNDATA3
16	CAMO MIPI DATA3 N	CAMO_MIPI_DATA3_DP	CAMO_MIPI_DATA3_ST 100_OHM_DIFF	AY14	MIPI0C_DPDATA3	MIPI0C_DNDATA3
16	CAMO MIPI CLK P	CAMO_MIPI_CLK_DP	CAMO_MIPI_CLK_ST 100_OHM_DIFF	AY12	MIPI0C_DPCLK	MIPI0C_DNCLK
16	CAMO MIPI CLK N	CAMO_MIPI_CLK_DP	CAMO_MIPI_CLK_ST 100_OHM_DIFF	AY12	MIPI0C_DPCLK	MIPI0C_DNCLK
7	LCM MIPI DATA0 P	LCM_MIPI_DATA0_DP	LCM_MIPI_DATA0_ST 100_OHM_DIFF	AYS	MIPI0D_DPDATA0	MIPI0D_DNDATA0
7	LCM MIPI DATA0 N	LCM_MIPI_DATA0_DP	LCM_MIPI_DATA0_ST 100_OHM_DIFF	AYS	MIPI0D_DPDATA0	MIPI0D_DNDATA0
7	LCM MIPI DATA1 P	LCM_MIPI_DATA1_DP	LCM_MIPI_DATA1_ST 100_OHM_DIFF	AY6	MIPI0D_DPDATA1	MIPI0D_DNDATA1
7	LCM MIPI DATA1 N	LCM_MIPI_DATA1_DP	LCM_MIPI_DATA1_ST 100_OHM_DIFF	AY6	MIPI0D_DPDATA1	MIPI0D_DNDATA1
7	LCM MIPI DATA2 P	LCM_MIPI_DATA2_DP	LCM_MIPI_DATA2_ST 100_OHM_DIFF	AY8	MIPI0D_DPDATA2	MIPI0D_DNDATA2
7	LCM MIPI DATA2 N	LCM_MIPI_DATA2_DP	LCM_MIPI_DATA2_ST 100_OHM_DIFF	AY8	MIPI0D_DPDATA2	MIPI0D_DNDATA2
7	LCM MIPI CLK P	LCM_MIPI_CLK_DP	LCM_MIPI_CLK_ST 100_OHM_DIFF	AY7	MIPI0D_DPCLK	MIPI0D_DNCLK
7	LCM MIPI CLK N	LCM_MIPI_CLK_DP	LCM_MIPI_CLK_ST 100_OHM_DIFF	AY7	MIPI0D_DPCLK	MIPI0D_DNCLK

100 OHM DIFF

MAIN CAMERA
FF CAMERA

SYNC MASTER=N/A SYNC DATE=N/A

H4P MIPI, CAMERA SENSOR

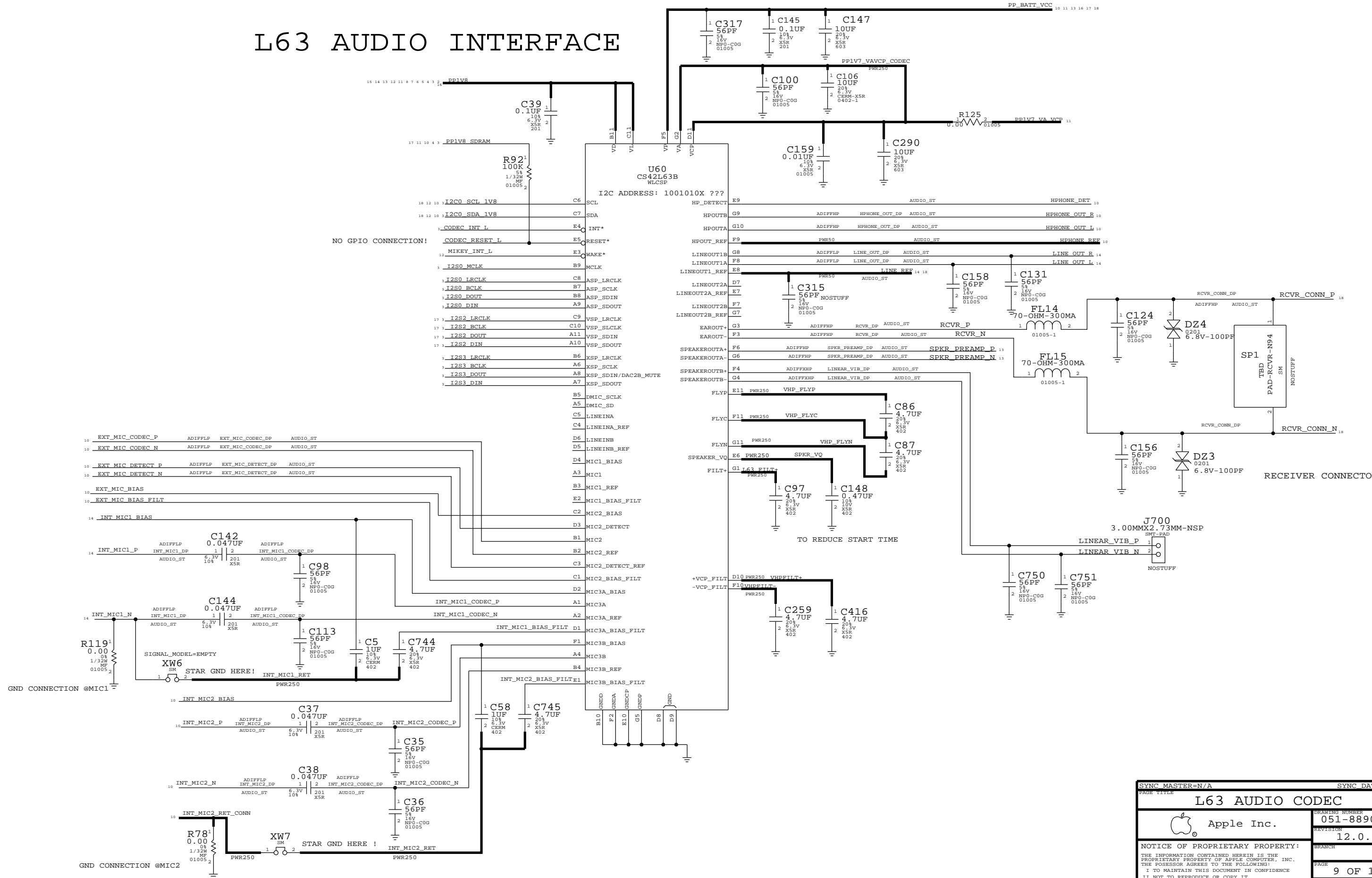
Apple Inc.

DRAWING NUMBER: 051-8890
REVISION: 12.0.0

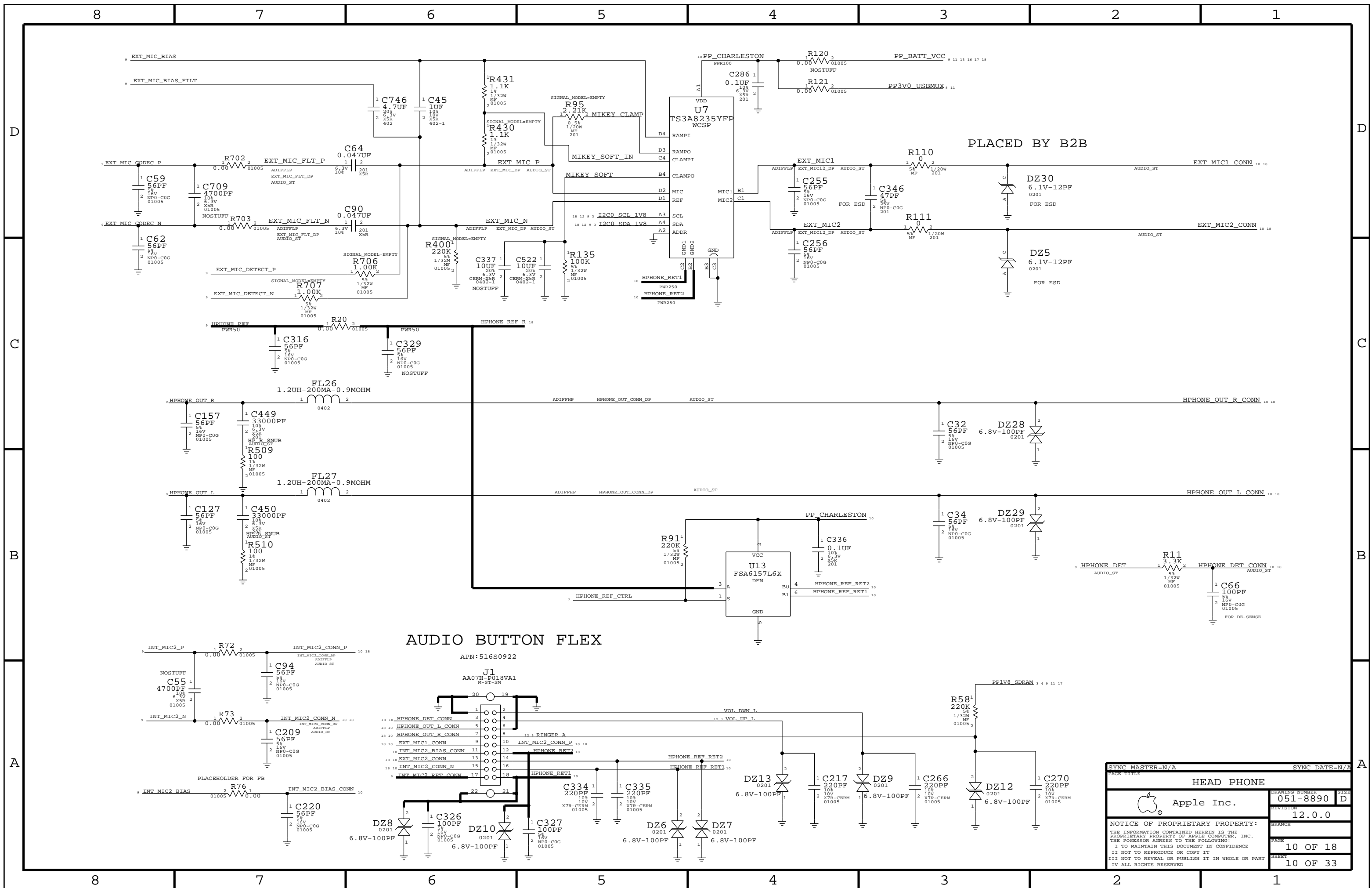
NOTICE OF PROPRIETARY PROPERTY:
THE INFORMATION CONTAINED HEREIN IS THE PROPRIETARY PROPERTY OF APPLE COMPUTER, INC. THE POSSESSOR AGREES TO THE FOLLOWING:
I TO MAINTAIN THIS DOCUMENT IN CONFIDENCE
II NOT TO REPRODUCE OR COPY IT
III NOT TO REVEAL OR PUBLISH IT IN WHOLE OR PART
IV ALL RIGHTS RESERVED

PAGE: 7 OF 18
SHEET: 7 OF 33

L63 AUDIO INTERFACE



SYNC MASTER=N/A		SYNC DATE=N/A	
L63 AUDIO CODEC			
Apple Inc.		DRAWING NUMBER	SIZE
		051-8890	D
		REVISION	
		12.0.0	
NOTICE OF PROPRIETARY PROPERTY:			
THE INFORMATION CONTAINED HEREIN IS THE PROPRIETARY PROPERTY OF APPLE COMPUTER, INC. THE POSSESSOR AGREES TO THE FOLLOWING:			
I TO MAINTAIN THIS DOCUMENT IN CONFIDENCE		BRANCH	
II NOT TO REPRODUCE OR COPY IT		PAGE	9 OF 18
III NOT TO REVEAL OR PUBLISH IT IN WHOLE OR PART		SHEET	9 OF 33
IV ALL RIGHTS RESERVED			

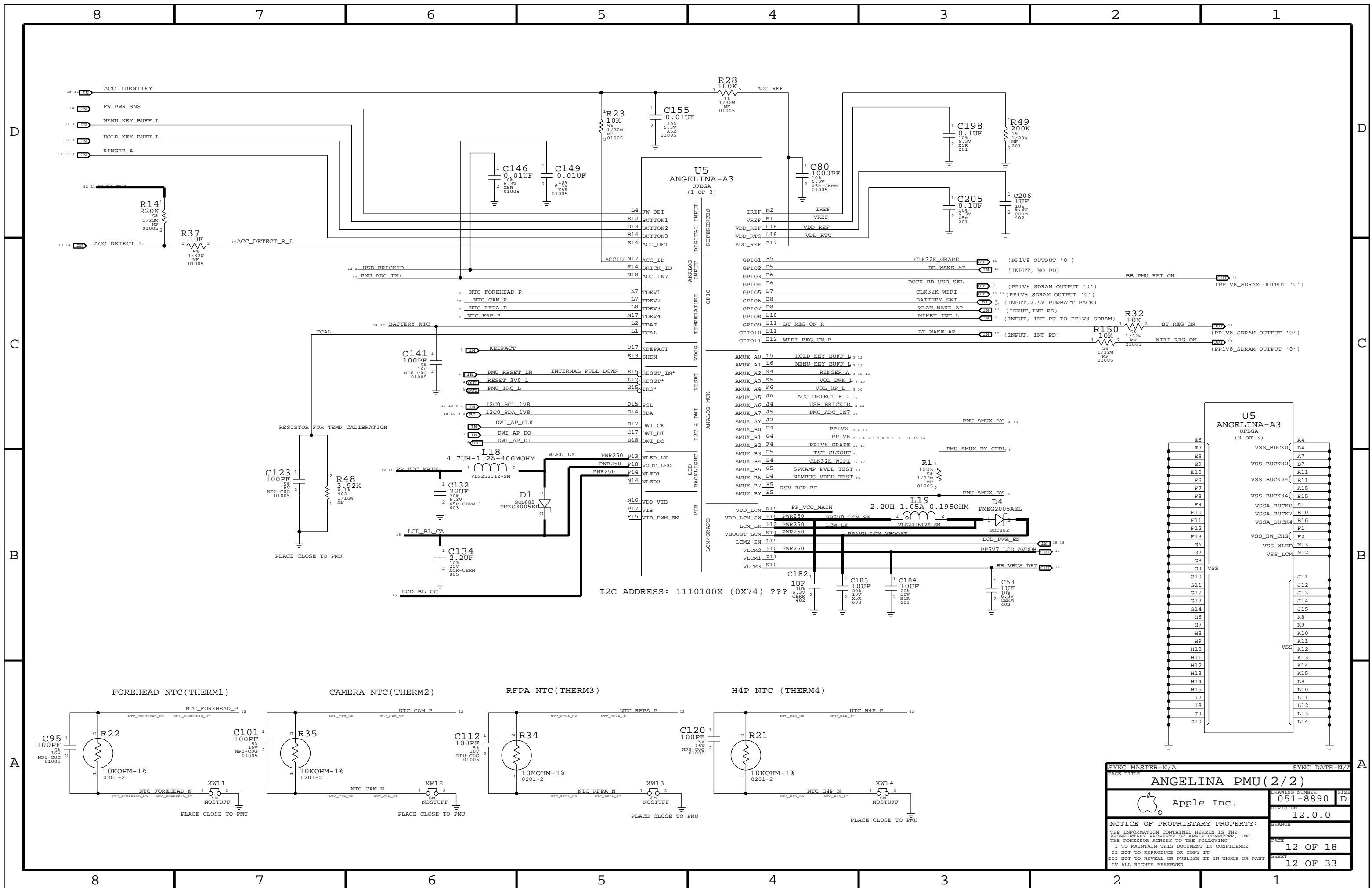


AUDIO BUTTON FLEX

APN:516S0922

J1
AA07H-P018VA1
M-ST-SM

SYNC MASTER=N/A		SYNC DATE=N/A	
HEAD PHONE			
Apple Inc.		DRAWING NUMBER	SIZE
NOTICE OF PROPRIETARY RIGHTS: THE INFORMATION CONTAINED HEREIN IS THE PROPRIETARY PROPERTY OF APPLE COMPUTER, INC. THE POSSESSOR AGREES TO THE FOLLOWING: I TO MAINTAIN THIS DOCUMENT IN CONFIDENCE II NOT TO REPRODUCE OR COPY IT III NOT TO REVEAL OR PUBLISH IT IN WHOLE OR PART IV ALL RIGHTS RESERVED		051-8890	D
		REVISION	
PAGE		10 OF 18	
SHEET		10 OF 33	



A

B

C

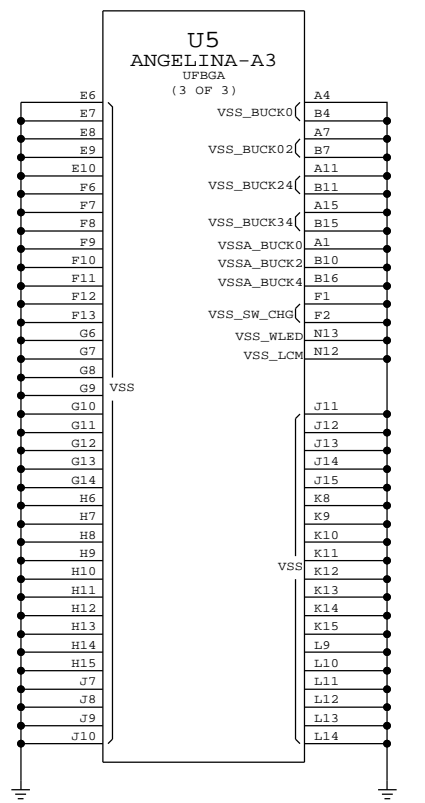
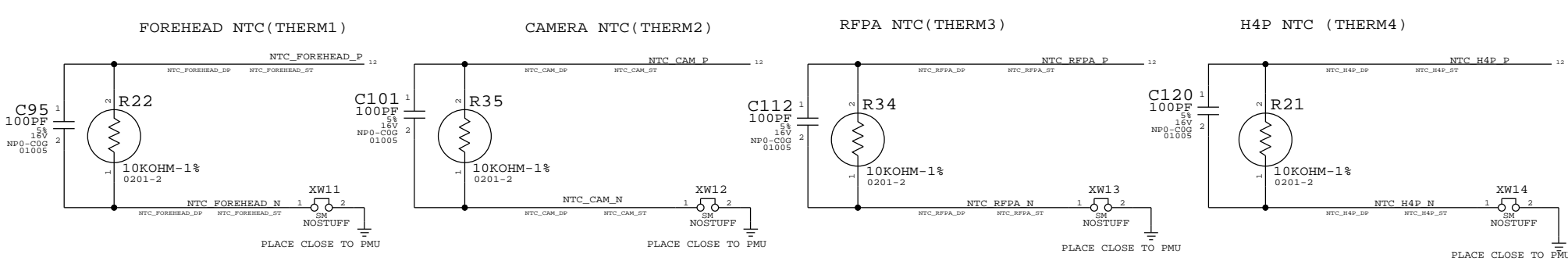
D

A

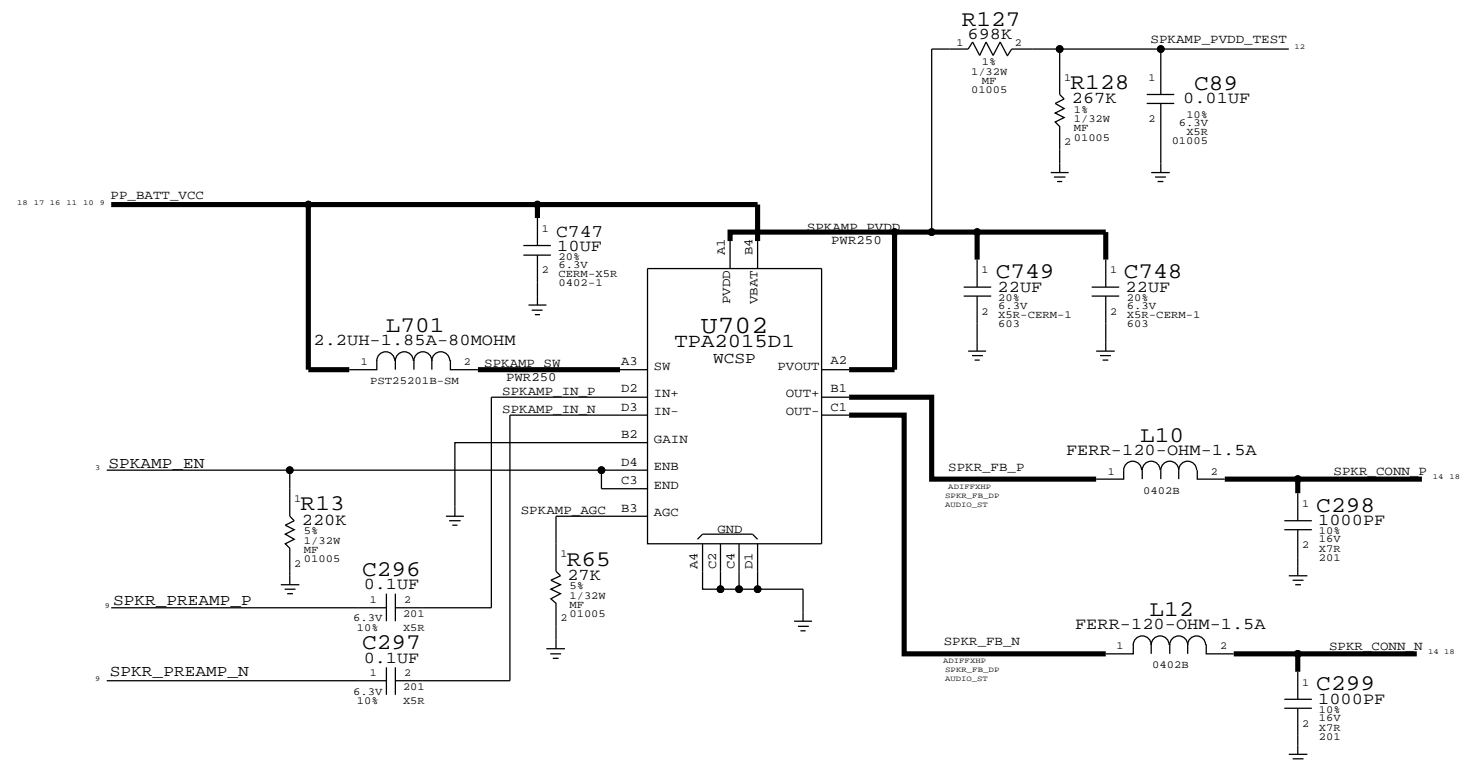
B

C

D

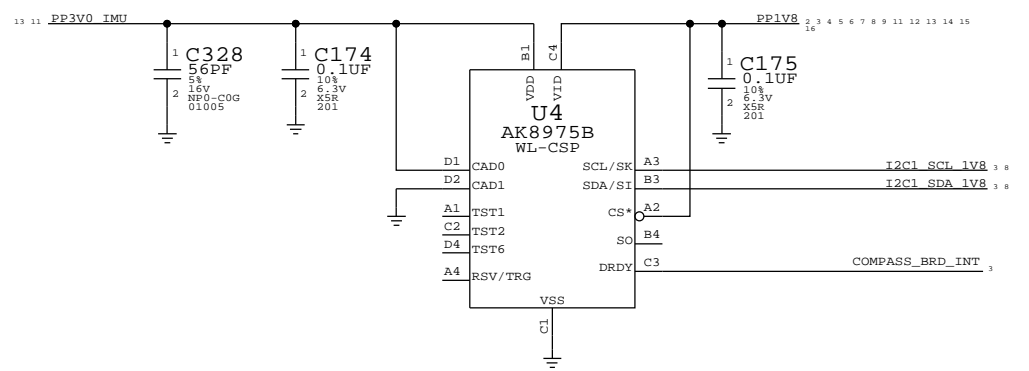


SYNC MASTER=N/A		SYNC DATE=N/A	
ANGELINA PMU (2/2)			
Apple Inc.		DRAWING NUMBER	051-8890
NOTICE OF PROPRIETARY PROPERTY: THE INFORMATION CONTAINED HEREIN IS THE PROPRIETARY PROPERTY OF APPLE COMPUTER, INC. THE POSSESSOR AGREES TO THE FOLLOWING: I TO MAINTAIN THIS DOCUMENT IN CONFIDENCE II NOT TO REPRODUCE OR COPY IT III NOT TO REVEAL OR PUBLISH IT IN WHOLE OR PART IV ALL RIGHTS RESERVED		REVISION	12.0.0
		PAGE	12 OF 18
		SHEET	12 OF 33



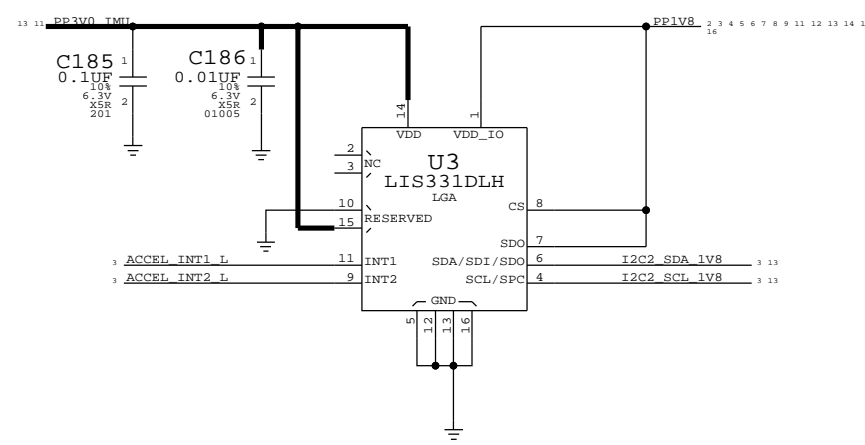
COMPASS OPTION1

I2C ADDR: 0001100X (0X0D)



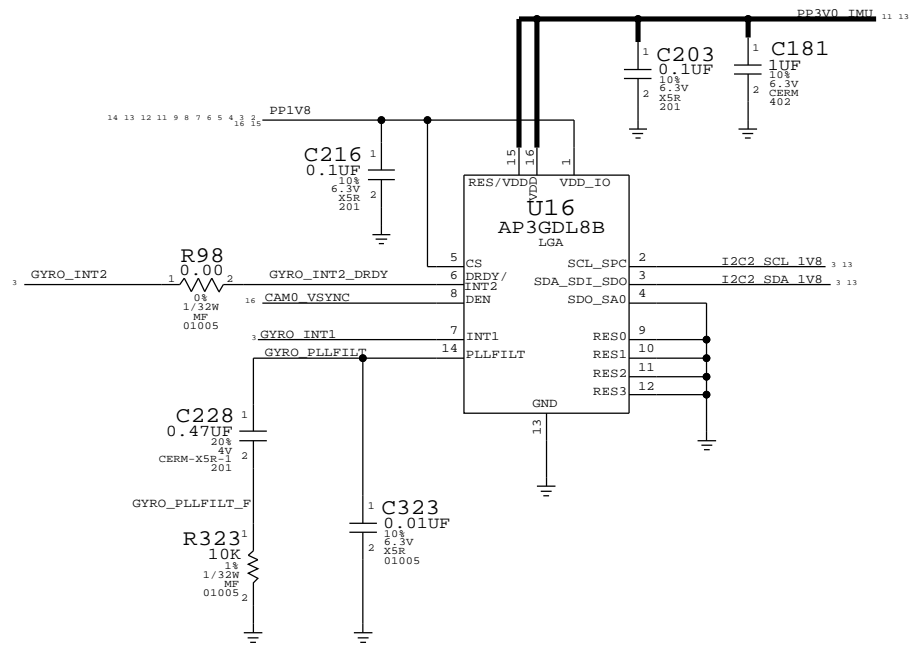
ACCELEROMETER

I2C ADDRESS: 0011101X (0X1D)

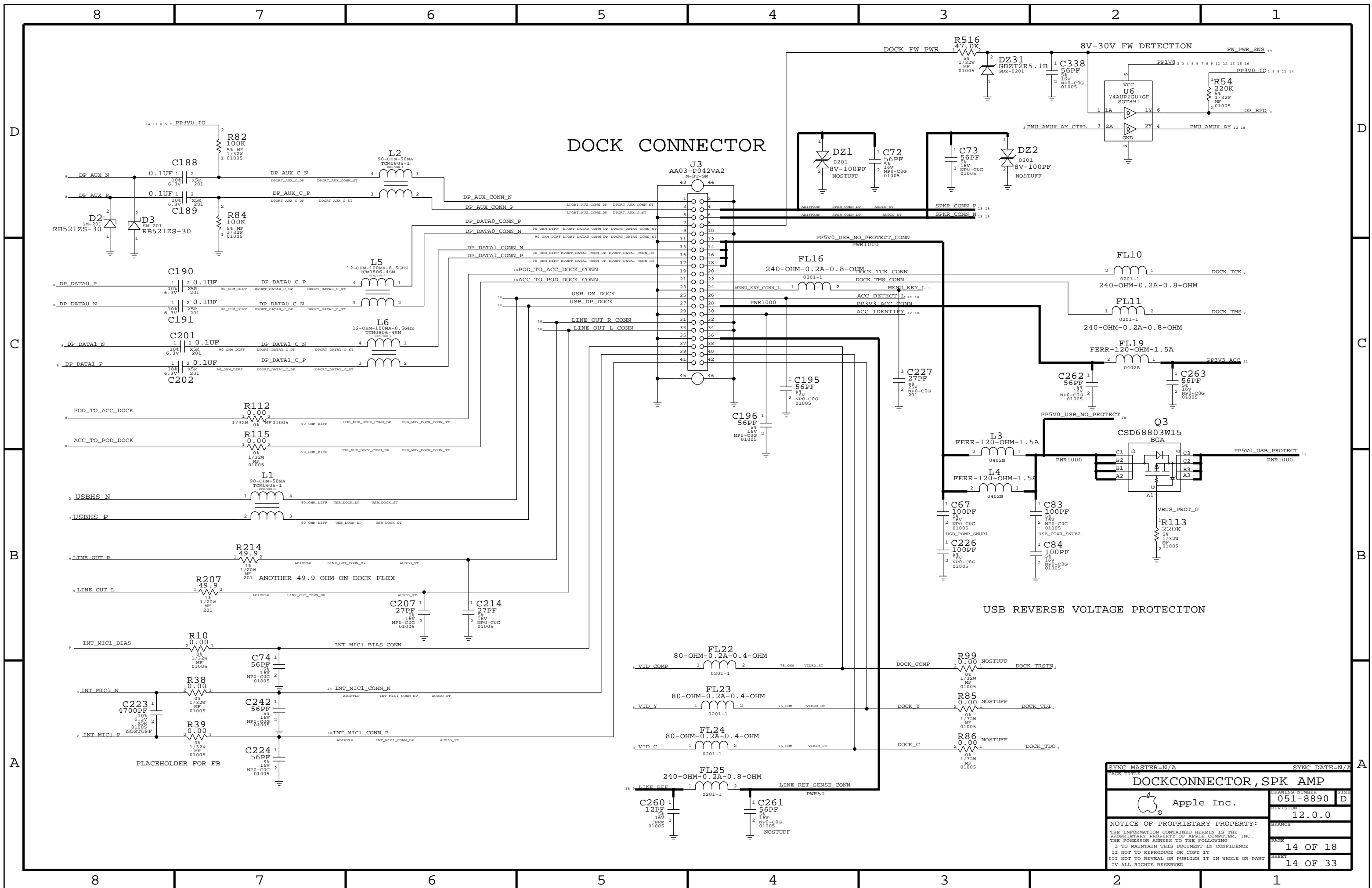


GYRO 8KHZ

I2C ADDRESS: 0XD0



SYNC MASTER=N/A		SYNC DATE=N/A	
ACCEL, GYRO, COMPASS, SPK AMP			
DRAWING NUMBER		051-8890	
REVISION		12.0.0	
BRANCH			
PAGE		13 OF 18	
SHEET		13 OF 33	
NOTICE OF PROPRIETARY PROPERTY: THE INFORMATION CONTAINED HEREIN IS THE PROPRIETARY PROPERTY OF APPLE COMPUTER, INC. THE POSSESSOR AGREES TO THE FOLLOWING: I TO MAINTAIN THIS DOCUMENT IN CONFIDENCE II NOT TO REPRODUCE OR COPY IT III NOT TO REVEAL OR PUBLISH IT IN WHOLE OR PART IV ALL RIGHTS RESERVED			

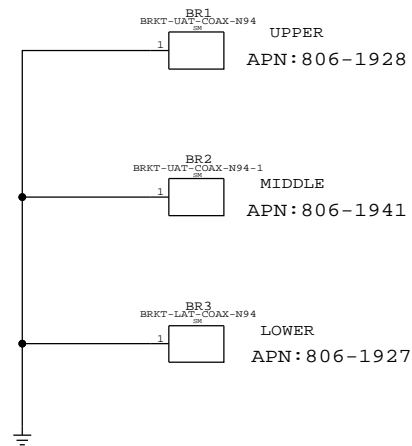


DOCK CONNECTOR

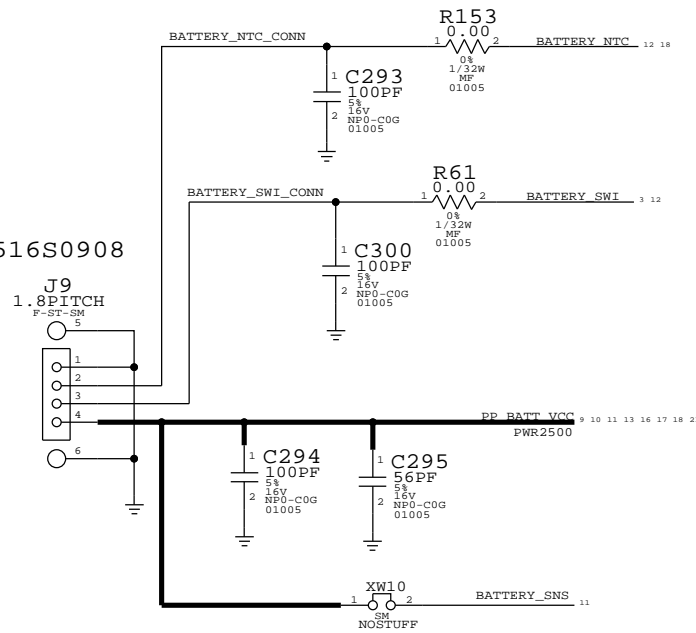
USB REVERSE VOLTAGE PROTECTION

SYNC MASTER=N/A		SYNC DATE=N/A	
DOCKCONNECTOR, SPK AMP			
Apple Inc.		DRAWING NUMBER	051-8890
NOTICE OF PROPRIETARY PROPERTY: THE INFORMATION CONTAINED HEREIN IS THE PROPRIETARY PROPERTY OF APPLE COMPUTER, INC. THE POSSESSOR AGREES TO THE FOLLOWING: I TO MAINTAIN THIS DOCUMENT IN CONFIDENCE II NOT TO REPRODUCE OR COPY IT III NOT TO REVEAL OR PUBLISH IT IN WHOLE OR PART IV ALL RIGHTS RESERVED		REVISION	12.0.0
		PAGE	14 OF 18
		SHEET	14 OF 33

STRAIN RELIEF BRACKET



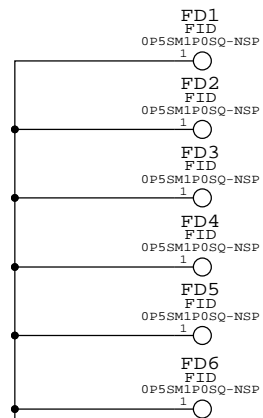
APN:516S0908



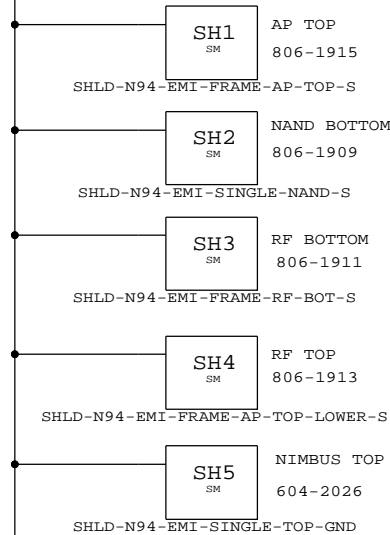
AP/RADIO INTERFACE

Signal Name	Direction	Make Base	Target Name
PP_BATT_VCC	IN	MAKE_BASE=TRUE	BATT_VCC
RADIO_ON_L	IN	MAKE_BASE=TRUE	RADIO_ON_N
BB_RESET_DET_L	IN	MAKE_BASE=TRUE	RESET_DET_N
BB_PMU_FFT_ON	IN	MAKE_BASE=TRUE	FFT_ON (ANGELINA)
RESET_BB_PMU_L	IN	MAKE_BASE=TRUE	RESET_PMU_N (AP - H4P)
BB_RESET_L	IN	MAKE_BASE=TRUE	BB_RST_N
BB_WAKE_AP	IN	MAKE_BASE=TRUE	BB_WAKE_AP
RESET_IV8_L	IN	MAKE_BASE=TRUE	RF_RESET_N
LED_DRIVE_GSMB	IN	MAKE_BASE=TRUE	GSM_TXBURST_IND
SPI2_MRDY	IN	MAKE_BASE=TRUE	IPC_MRDY
IPC_SRDY	IN	MAKE_BASE=TRUE	IPC_SRDY
IPC_GPIO4	IN	MAKE_BASE=TRUE	IPC_GPIO4
BB_VBUS_DET	IN	MAKE_BASE=TRUE	BB_USB_VBUS
BB_USB_N	IN	MAKE_BASE=TRUE	BB_USB_DN
BB_USB_P	IN	MAKE_BASE=TRUE	BB_USB_DP
UART1_RTS_L	IN	MAKE_BASE=TRUE	BB_UART_CTS_N
UART1_CTS_L	IN	MAKE_BASE=TRUE	BB_UART_RTS_N
UART1_TXD	IN	MAKE_BASE=TRUE	BB_UART_RXD
UART1_RXD	IN	MAKE_BASE=TRUE	BB_UART_TXD
I2S1_BCLK	IN	MAKE_BASE=TRUE	BB_I2S_CLK
I2S1_DOUT	IN	MAKE_BASE=TRUE	BB_I2S_RXD
I2S1_DIN	IN	MAKE_BASE=TRUE	BB_I2S_TXD
I2S1_LRCLK	IN	MAKE_BASE=TRUE	BB_I2S_WS
PP1V8_SDRAM	IN	MAKE_BASE=TRUE	WL_BT_VDDIO
BT_REG_ON	IN	MAKE_BASE=TRUE	BT_REG_ON
WIFI_REG_ON	IN	MAKE_BASE=TRUE	WLAN_REG_ON
WLAN_SDIO_CLK	IN	MAKE_BASE=TRUE	WLAN_SDIO_CLK
WLAN_SDIO_CMD	IN	MAKE_BASE=TRUE	WLAN_SDIO_CMD
WLAN_SDIO_DATA<3..0>	IN	MAKE_BASE=TRUE	WLAN_SDIO_DATA<3..0>
WLAN_WAKE_AP	IN	MAKE_BASE=TRUE	HOST_WAKE_WLAN
BT_WAKE	IN	MAKE_BASE=TRUE	BT_WAKE
CLK32K_WIFI	IN	MAKE_BASE=TRUE	CLK32K_AP
BT_RESET_L	IN	MAKE_BASE=TRUE	BT_RESET_N
BT_WAKE_AP	IN	MAKE_BASE=TRUE	HOST_WAKE_BT
UART3_RTS_L	IN	MAKE_BASE=TRUE	BT_UART_CTS_N
UART3_CTS_L	IN	MAKE_BASE=TRUE	BT_UART_RTS_N
UART3_TXD	IN	MAKE_BASE=TRUE	BT_UART_RXD
UART3_RXD	IN	MAKE_BASE=TRUE	BT_UART_TXD
I2S2_BCLK	IN	MAKE_BASE=TRUE	BT_PCM_CLK
I2S2_DOUT	IN	MAKE_BASE=TRUE	BT_PCM_IN
I2S2_DIN	IN	MAKE_BASE=TRUE	BT_PCM_OUT
I2S2_LRCLK	IN	MAKE_BASE=TRUE	BT_PCM_SYNC
HSIC1_DATA	IN	MAKE_BASE=TRUE	HSIC_BB_DATA
HSIC1_STB	IN	MAKE_BASE=TRUE	HSIC_BB_STROBE
HOST_BB_HSIC_RDY	IN	MAKE_BASE=TRUE	HOST_BB_HSIC_RDY
HOST_WLAN_HSIC_RDY	IN	MAKE_BASE=TRUE	HOST_WLAN_HSIC_RDY
BB_HSIC_RDY	IN	MAKE_BASE=TRUE	BB_HSIC_RDY
HSIC2_DATA	IN	MAKE_BASE=TRUE	HSIC_WLAN_DATA
HSIC2_STB	IN	MAKE_BASE=TRUE	HSIC_WLAN_STROBE
BB_EMERGENCY_DWLD_L	IN	MAKE_BASE=TRUE	BB_EMERGENCY_DWLD
WLAN_HSIC_RDY	IN	MAKE_BASE=TRUE	WLAN_HSIC_RDY

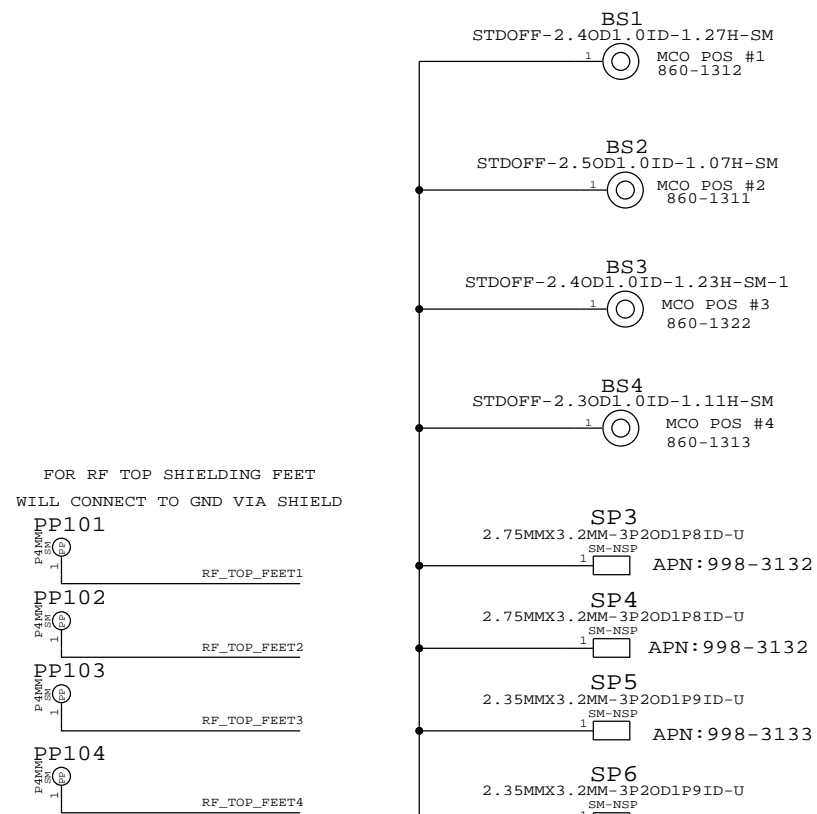
FIDUCIALS



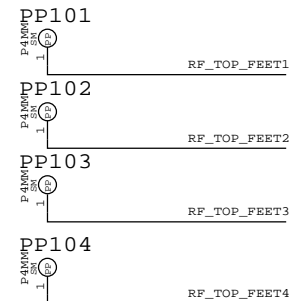
SHIELDS



STANDOFFS

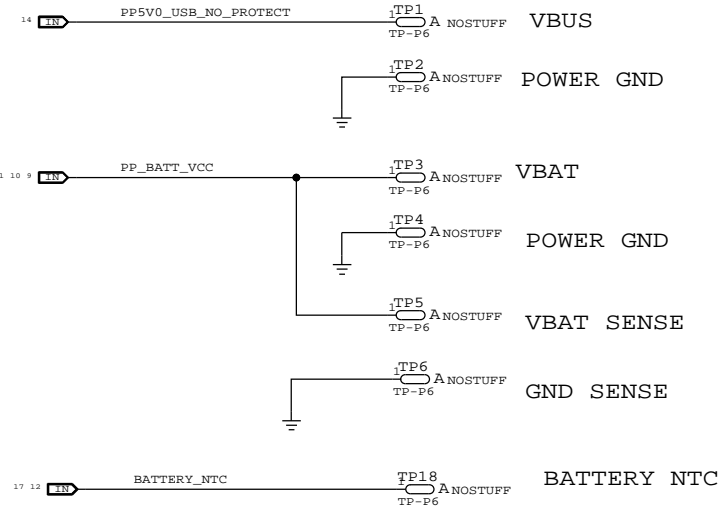


FOR RF TOP SHIELDING FEET WILL CONNECT TO GND VIA SHIELD

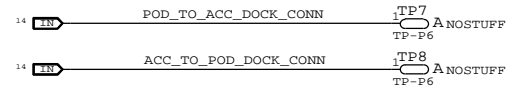


SYNC MASTER=N/A		SYNC DATE=N/A	
RF INT, SHIELD, STNDOFFS			
Apple Inc.		DRAWING NUMBER	051-8890
		REVISION	12.0.0
NOTICE OF PROPRIETARY PROPERTY:		BRANCH	
THE INFORMATION CONTAINED HEREIN IS THE PROPRIETARY PROPERTY OF APPLE COMPUTER, INC. THE POSSESSOR AGREES TO THE FOLLOWING:		PAGE	
I TO MAINTAIN THIS DOCUMENT IN CONFIDENCE		17 OF 18	
II NOT TO REPRODUCE OR COPY IT		SHEET	
III NOT TO REVEAL OR PUBLISH IT IN WHOLE OR PART		17 OF 33	
IV ALL RIGHTS RESERVED			

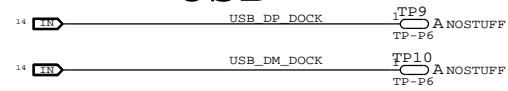
POWER



UART



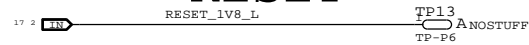
USB



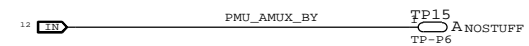
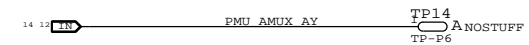
DFU



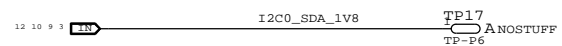
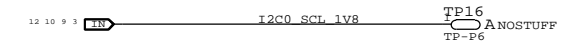
RESET



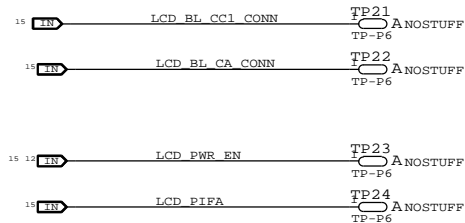
SUPER TP



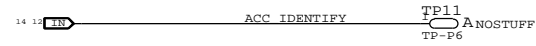
I2C0 BUS



GRAPE / LCM

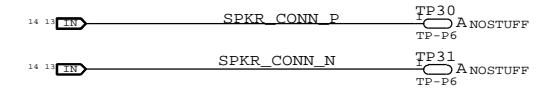


ACCESSORY

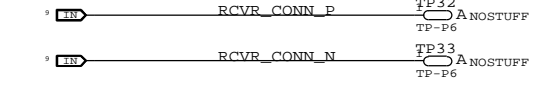


AUDIO

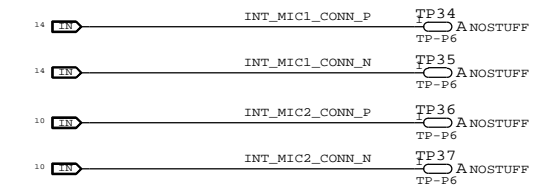
SPEAKER



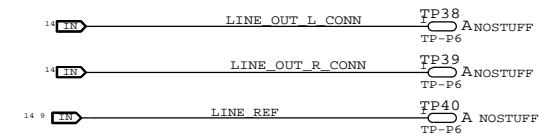
RECEIVER



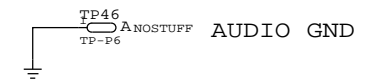
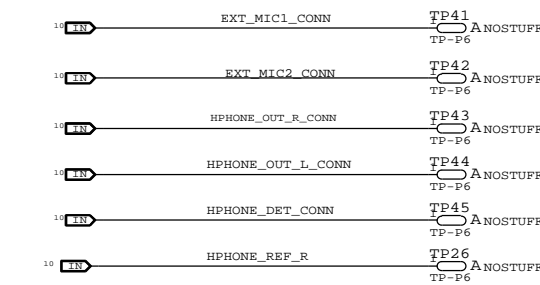
MIC



LINE OUT



HEADPHONE



SYNC MASTER=N/A		SYNC DATE=N/A	
TEST POINTS			
Apple Inc.	DRAWING NUMBER	051-8890	SIZE D
	REVISION	12.0.0	BRANCH
NOTICE OF PROPRIETARY PROPERTY: THE INFORMATION CONTAINED HEREIN IS THE PROPRIETARY PROPERTY OF APPLE COMPUTER, INC. THE POSSESSOR AGREES TO THE FOLLOWING: I TO MAINTAIN THIS DOCUMENT IN CONFIDENCE II NOT TO REPRODUCE OR COPY IT III NOT TO REVEAL OR PUBLISH IT IN WHOLE OR PART IV ALL RIGHTS RESERVED			PAGE 18 OF 18
			SHEET 18 OF 33

8

7

6

5

4

3

2

1

1. ALL RESISTANCE VALUES ARE IN OHMS, 0.1 WATT +/- 5%.
 2. ALL CAPACITANCE VALUES ARE IN MICROFARADS.
 3. ALL CRYSTALS & OSCILLATOR VALUES ARE IN HERTZ.

CONFIDENTIAL AND PROPRIETARY APPLE SYSTEM DESIGN. FOR REFERENCE PURPOSE ONLY - NOT A CHANGE REQUEST

REV	ECN	DESCRIPTION OF REVISION	CK APPD	DATE
12	0001170763	ENGINEERING RELEASED		2011-07-05

N94 RADIO_MLB_V3 SUBDESIGN

RADIO - 07/05/2011: SUBDESIGN

PAGE	CONTENTS
02	BASEBAND
03	BASEBAND MEMORY
04	BASEBAND POWER
05	POWER1: CONTROL
06	POWER2: DIGITAL, ANALOG, RF
07	AP INTERFACE AND DEBUG CONNECTOR
08	RF TRANSCEIVER - RX AND TX
09	RF TRANSCEIVER - POWER DECOUPLING
10	RF TRANSCEIVER AND ASM
11	MMPA AND PA DC/DC CONVERTER
12	B2 AND B5 PADS
13	DIVERSITY AND EXTERNAL GPS LNA
14	WLAN/BT/FM
15	DIVERSITY ANTENNA SWITCH AND SIM

SCH #: 951-1604

BASED ON RADIO_MLB_EVT2_RFPE

DRAWING TITLE		DRAWING NUMBER		SIZE
N94 RADIO_MLB_V3 SUBDESIGN		051-8890		D
Apple Inc.		REVISION		
		12.0.0		
NOTICE OF PROPRIETARY PROPERTY:		BRANCH		
THE INFORMATION CONTAINED HEREIN IS THE PROPRIETARY PROPERTY OF APPLE COMPUTER, INC. THE POSSESSOR AGREES TO THE FOLLOWING:		PAGE		
I TO MAINTAIN THIS DOCUMENT IN CONFIDENCE		1 OF 15		
II NOT TO REPRODUCE OR COPY IT		SHEET		
III NOT TO REVEAL OR PUBLISH IT IN WHOLE OR PART		19 OF 33		
IV ALL RIGHTS RESERVED				

8

7

6

5

4

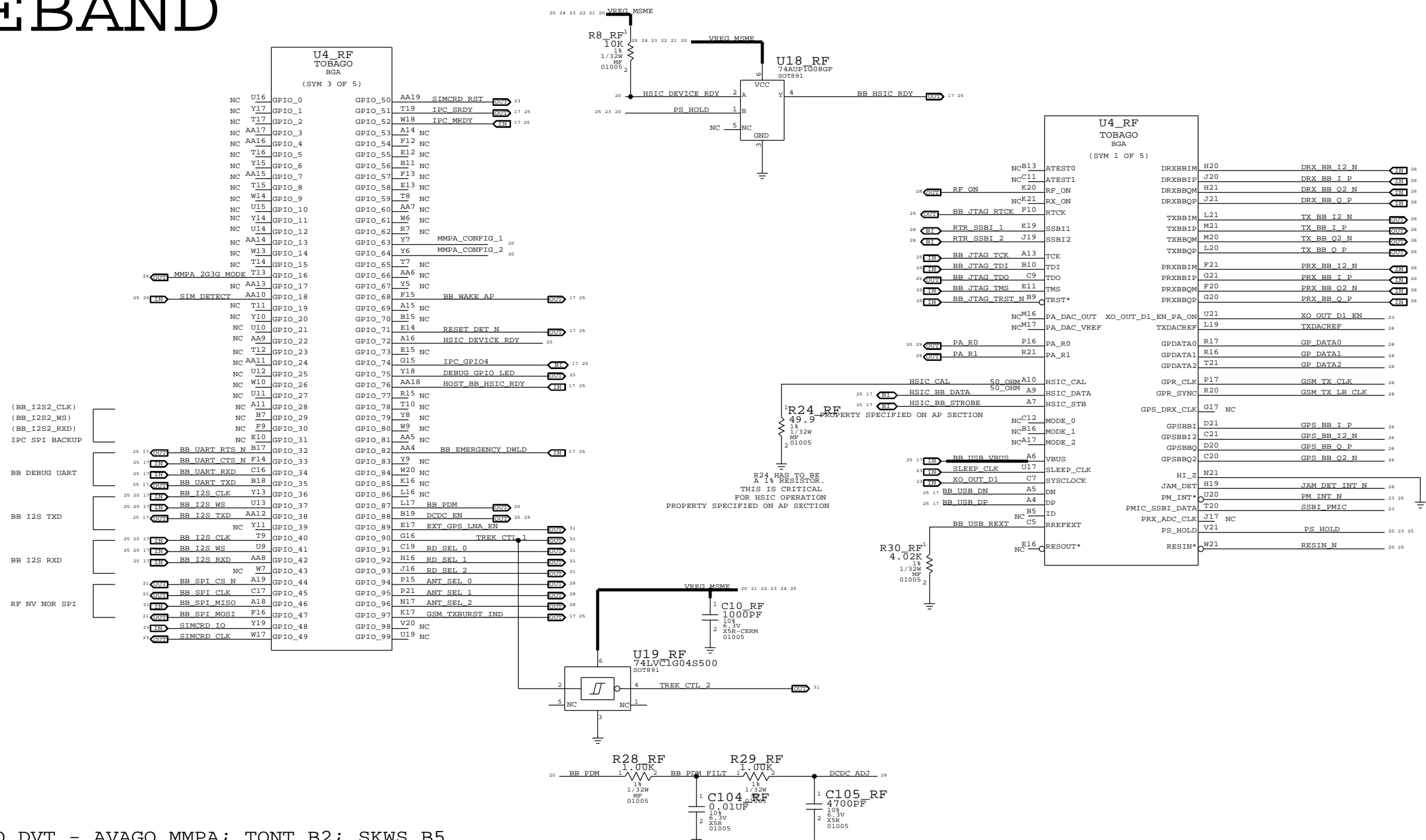
3

2

1

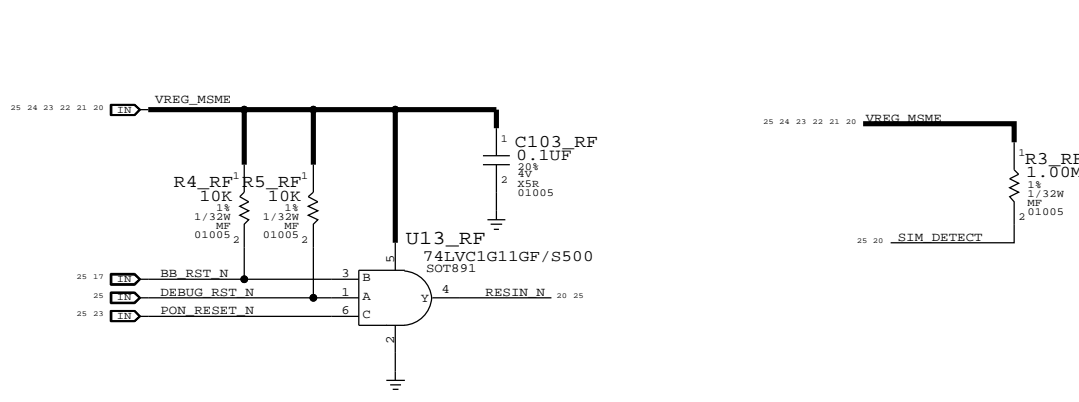
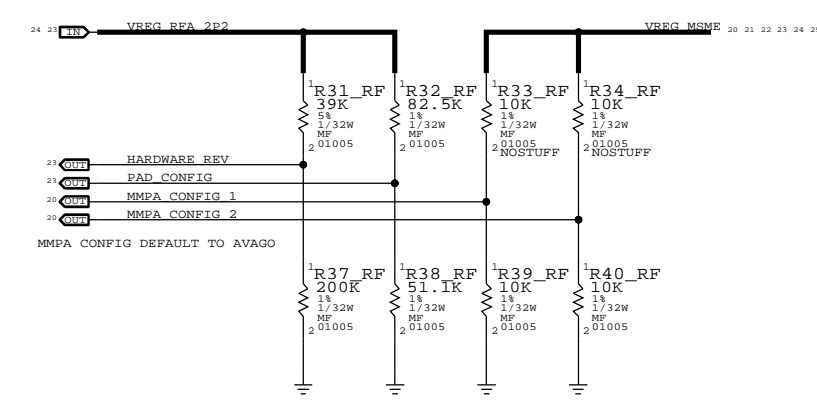
BASEBAND

CONFIDENTIAL AND PROPRIETARY APPLE SYSTEM DESIGN. FOR REFERENCE PURPOSE ONLY - NOT A CHANGE REQUEST

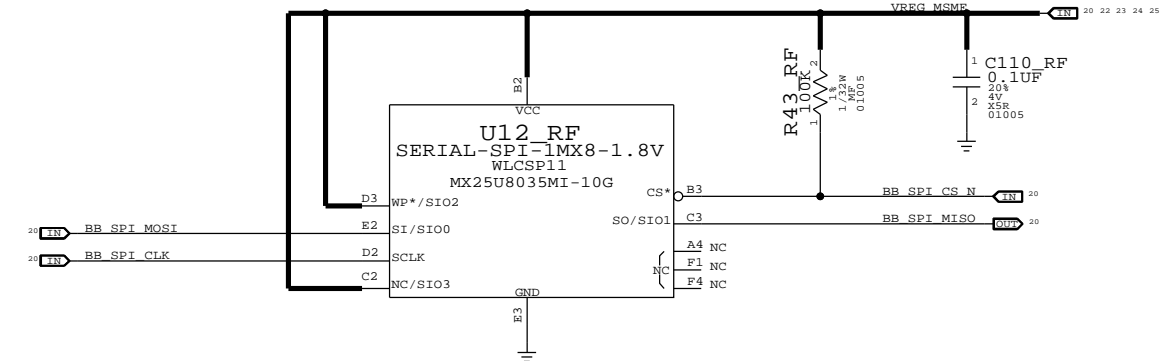
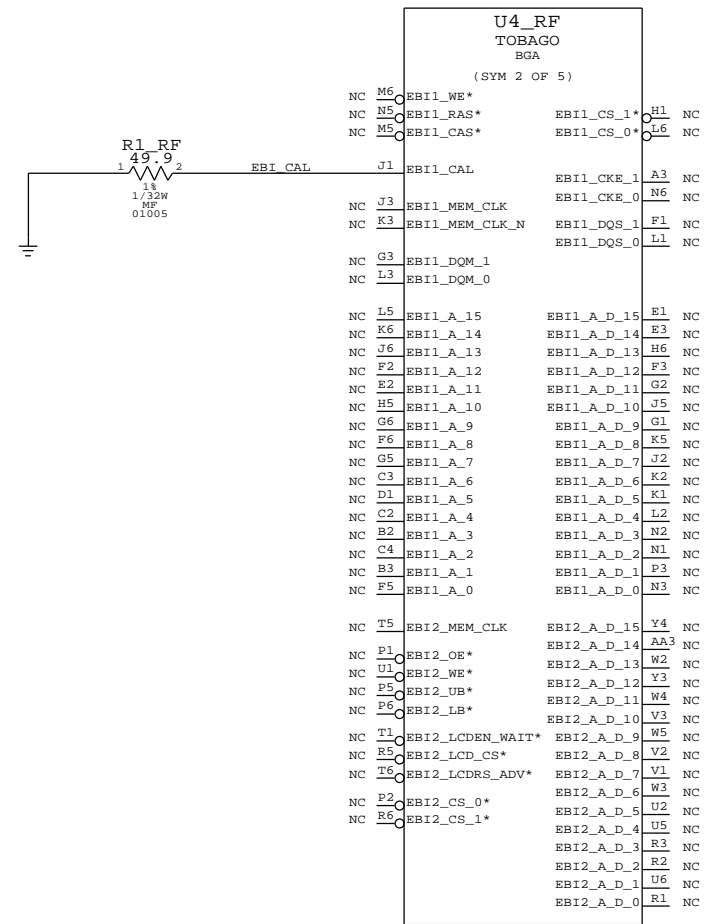


Pin	Signal	Pin	Signal
NC	U16 GPIO_0	GPIO_50	AA19 SIMCRD_RST
NC	Y17 GPIO_1	GPIO_51	T19 IPC SRDY
NC	T17 GPIO_2	GPIO_52	W18 IPC MRDY
NC	AA17 GPIO_3	GPIO_53	A14 NC
NC	AA16 GPIO_4	GPIO_54	F12 NC
NC	T16 GPIO_5	GPIO_55	E12 NC
NC	Y15 GPIO_6	GPIO_56	B11 NC
NC	AA15 GPIO_7	GPIO_57	F13 NC
NC	T15 GPIO_8	GPIO_58	E13 NC
NC	W14 GPIO_9	GPIO_59	T8 NC
NC	U15 GPIO_10	GPIO_60	AA7 NC
NC	Y14 GPIO_11	GPIO_61	W6 NC
NC	U14 GPIO_12	GPIO_62	R7 NC
NC	AA14 GPIO_13	GPIO_63	Y7 MMPA_CONFIG_1
NC	W13 GPIO_14	GPIO_64	Y6 MMPA_CONFIG_2
NC	T14 GPIO_15	GPIO_65	T7 NC
NC	AA13 GPIO_16	GPIO_66	AA6 NC
NC	Y13 GPIO_17	GPIO_67	Y5 NC
NC	U12 GPIO_18	GPIO_68	F15 BB_WAKE_AP
NC	T11 GPIO_19	GPIO_69	A15 NC
NC	Y10 GPIO_20	GPIO_70	B15 NC
NC	U10 GPIO_21	GPIO_71	E14 RESET_DET_N
NC	AA9 GPIO_22	GPIO_72	A16 HSIC_DEVICE_RDY
NC	T12 GPIO_23	GPIO_73	E15 NC
NC	AA11 GPIO_24	GPIO_74	G15 IPC_GPIO4
NC	W12 GPIO_25	GPIO_75	Y18 DEBUG_GPIO_LED
NC	U11 GPIO_26	GPIO_76	AA18 HOST_BB_HSIC_RDY
NC	T11 GPIO_27	GPIO_77	R15 NC
NC	AA11 GPIO_28	GPIO_78	T10 NC
NC	Y10 GPIO_29	GPIO_79	Y8 NC
NC	U10 GPIO_30	GPIO_80	W9 NC
NC	T10 GPIO_31	GPIO_81	AA5 NC
NC	AA9 GPIO_32	GPIO_82	AA4 BB_EMERGENCY_DWLD
NC	Y17 GPIO_33	GPIO_83	Y9 NC
NC	U17 GPIO_34	GPIO_84	W20 NC
NC	T17 GPIO_35	GPIO_85	K16 NC
NC	AA17 GPIO_36	GPIO_86	L16 NC
NC	Y15 GPIO_37	GPIO_87	L17 BB_PDM
NC	AA15 GPIO_38	GPIO_88	B19 DCDC_EN
NC	T15 GPIO_39	GPIO_89	E17 EXT_GPS_LNA_EN
NC	W14 GPIO_40	GPIO_90	G16 TREK_CTL_1
NC	U15 GPIO_41	GPIO_91	C19 RD_SEL_0
NC	T15 GPIO_42	GPIO_92	H16 RD_SEL_1
NC	AA13 GPIO_43	GPIO_93	J16 RD_SEL_2
NC	Y13 GPIO_44	GPIO_94	P15 ANT_SEL_0
NC	AA9 GPIO_45	GPIO_95	P21 ANT_SEL_1
NC	U10 GPIO_46	GPIO_96	N17 ANT_SEL_2
NC	T10 GPIO_47	GPIO_97	K17 GSM_TXBURST_IND
NC	AA9 GPIO_48	GPIO_98	V20 NC
NC	Y19 GPIO_49	GPIO_99	U19 NC
NC	W17 GPIO_49	GPIO_99	U19 NC

DEFAULT TO DVT - AVAGO MMPA; TQNT B2; SKWS B5



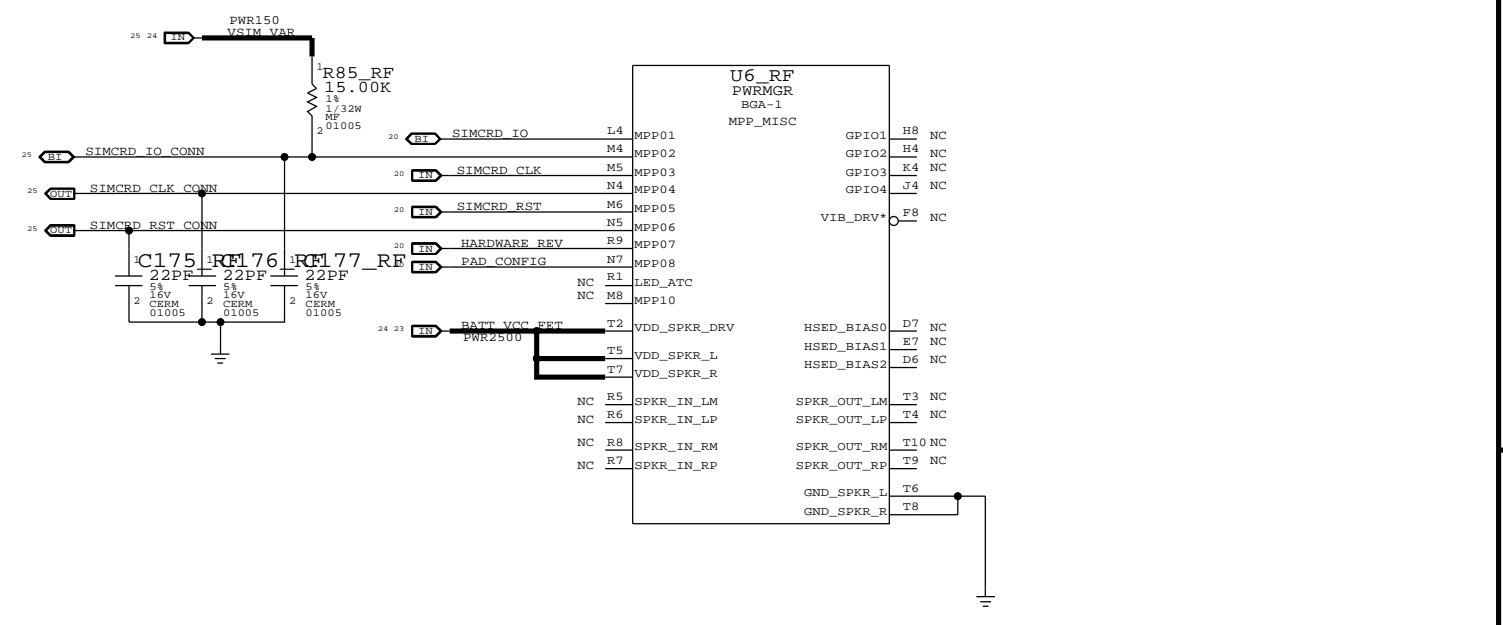
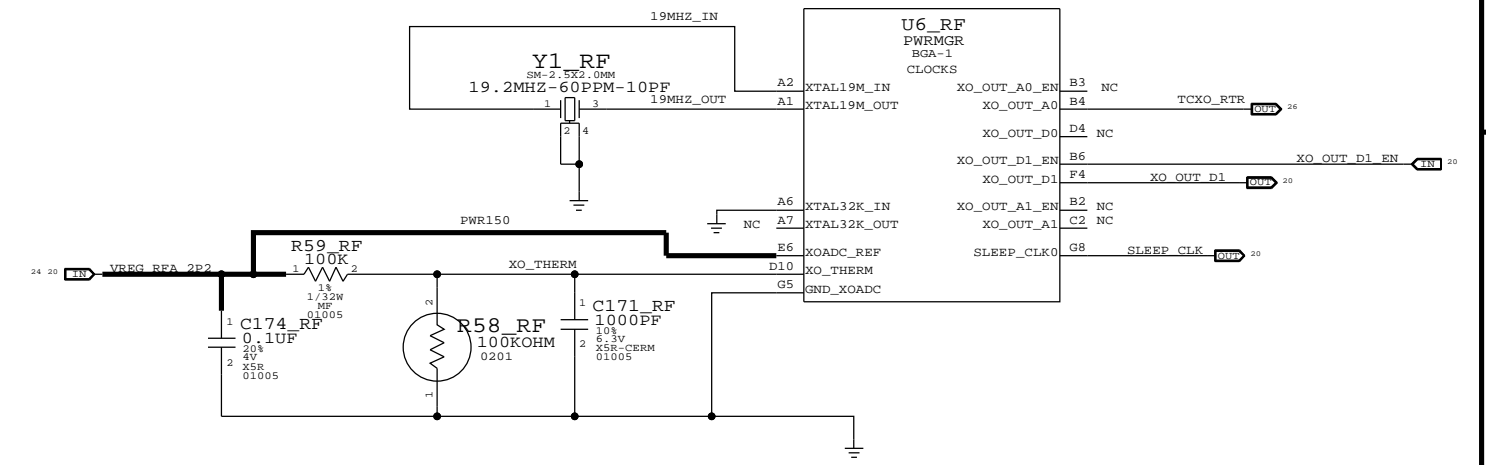
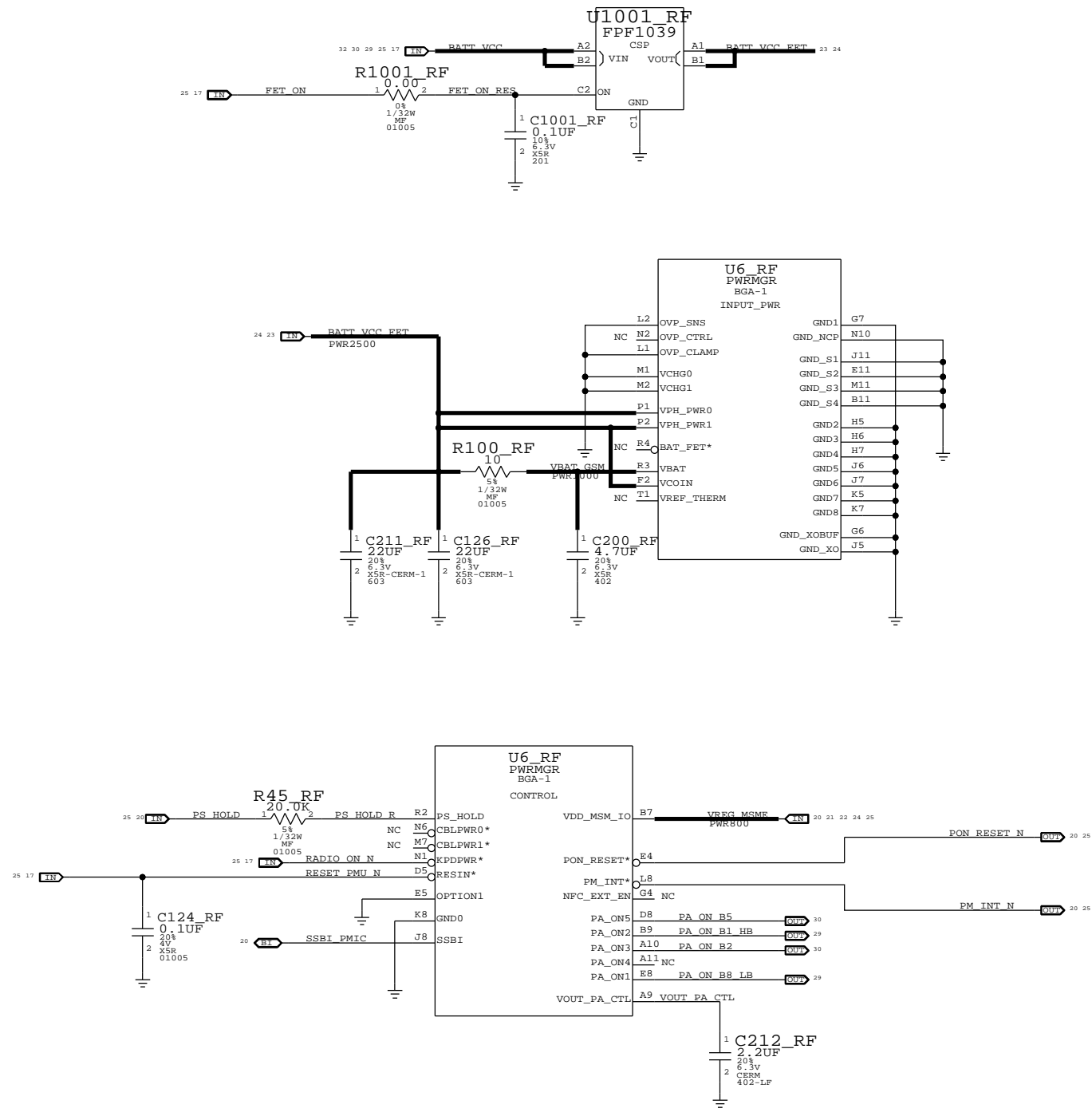
DRAWING NUMBER			051-8890	SIZE	D
REVISION			12.0.0	BRANCH	
PAGE			2 OF 15	SHEET	
PAGE TITLE			BASEBAND	SHEET	
NOTICE OF PROPRIETARY PROPERTY:			THE INFORMATION CONTAINED HEREIN IS THE PROPRIETARY PROPERTY OF APPLE COMPUTER, INC. THE POSSESSOR AGREES TO THE FOLLOWING:		
I TO MAINTAIN THIS DOCUMENT IN CONFIDENCE			II NOT TO REPRODUCE OR COPY IT		
III NOT TO REVEAL OR PUBLISH IT IN WHOLE OR PART			IV ALL RIGHTS RESERVED		



PAGE TITLE		BASEBAND MEMORY	
Apple Inc.	DRAWING NUMBER	051-8890	SIZE
	REVISION	12.0.0	D
NOTICE OF PROPRIETARY PROPERTY:		BRANCH	
THE INFORMATION CONTAINED HEREIN IS THE PROPRIETARY PROPERTY OF APPLE COMPUTER, INC. THE POSSESSOR AGREES TO THE FOLLOWING:		PAGE	
I TO MAINTAIN THIS DOCUMENT IN CONFIDENCE		3 OF 15	
II NOT TO REPRODUCE OR COPY IT		SHEET	
III NOT TO REVEAL OR PUBLISH IT IN WHOLE OR PART		21 OF 33	
IV ALL RIGHTS RESERVED			

BASEBAND PMU

CONFIDENTIAL AND PROPRIETARY APPLE SYSTEM DESIGN. FOR REFERENCE PURPOSE ONLY - NOT A CHANGE REQUEST

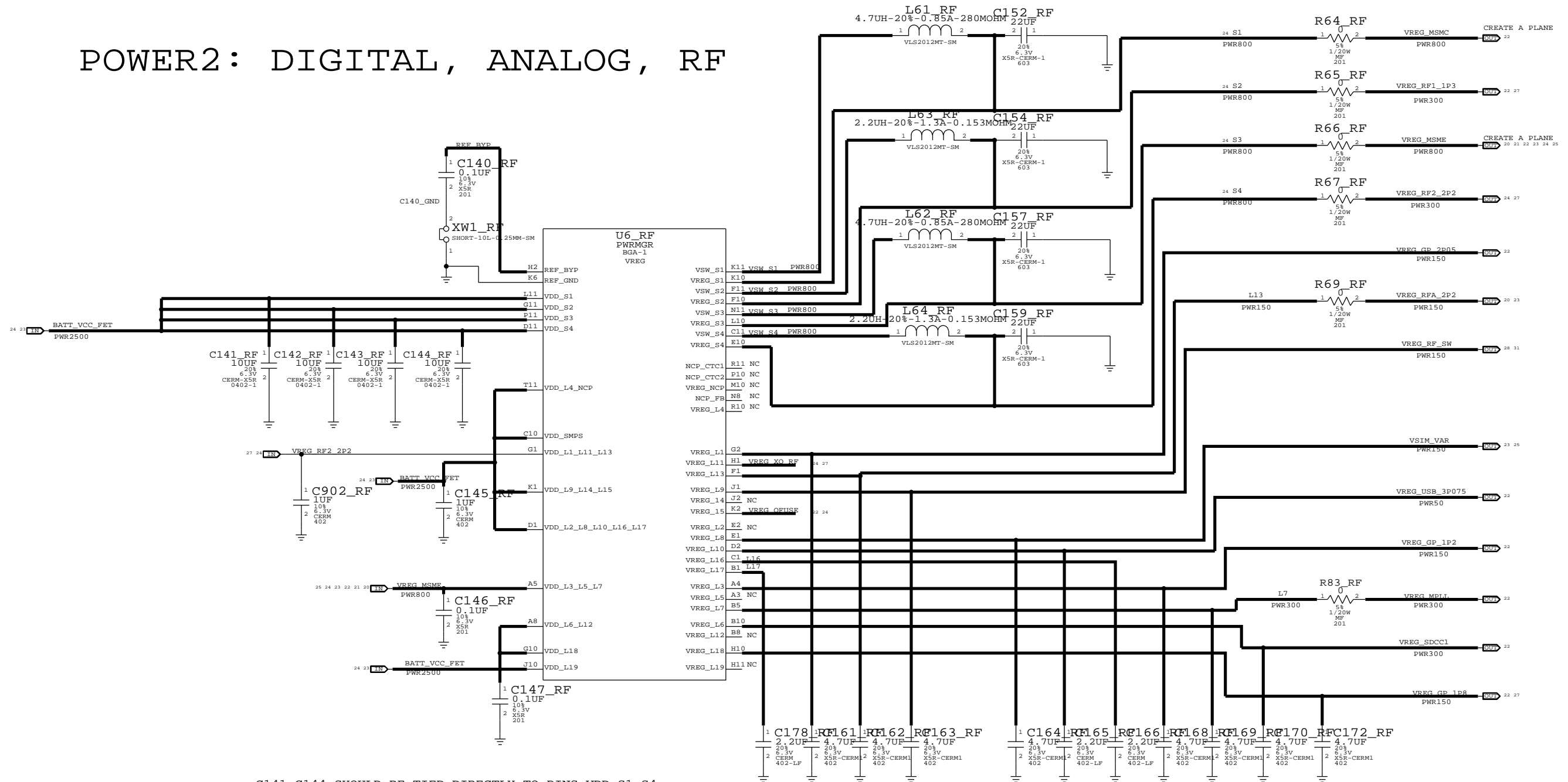


PAGE TITLE		
BASEBAND PMU		
Apple Inc.	DRAWING NUMBER	SIZE
	051-8890	D
REVISION		
12.0.0		
NOTICE OF PROPRIETARY PROPERTY:		
THE INFORMATION CONTAINED HEREIN IS THE PROPRIETARY PROPERTY OF APPLE COMPUTER, INC. THE POSSESSOR AGREES TO THE FOLLOWING:		
I TO MAINTAIN THIS DOCUMENT IN CONFIDENCE		
II NOT TO REPRODUCE OR COPY IT		
III NOT TO REVEAL OR PUBLISH IT IN WHOLE OR PART		
IV ALL RIGHTS RESERVED		
BRANCH	PAGE	SHEET
	5 OF 15	23 OF 33

BASEBAND PMU CONT.

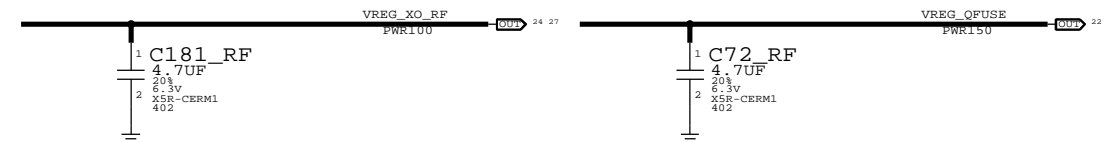
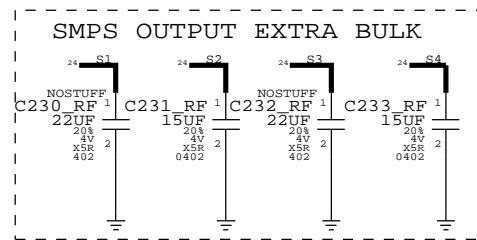
CONFIDENTIAL AND PROPRIETARY APPLE SYSTEM DESIGN. FOR REFERENCE PURPOSE ONLY - NOT A CHANGE REQUEST

POWER2: DIGITAL, ANALOG, RF



C141-C144 SHOULD BE TIED DIRECTLY TO PINS VDD_S1-S4

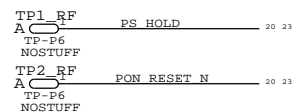
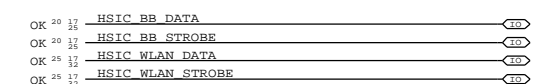
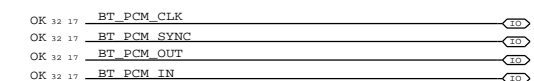
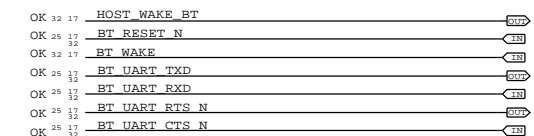
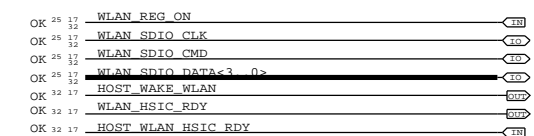
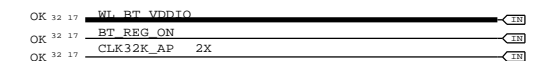
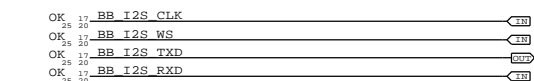
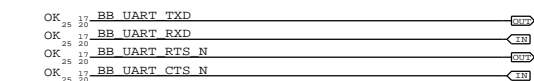
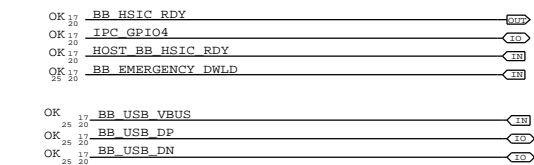
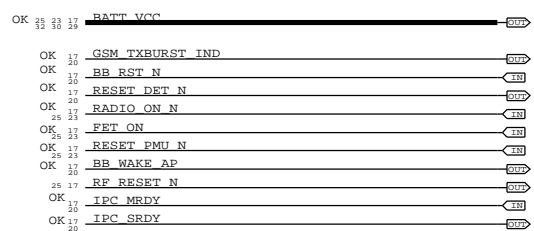
L16 AND L17 DECOUPLED PER EUREKA'S RECOMMENDATION



PAGE TITLE		DRAWING NUMBER	SIZE
BASEBAND PMU		051-8890	D
Apple Inc.		REVISION	12.0.0
NOTICE OF PROPRIETARY PROPERTY:		BRANCH	
THE INFORMATION CONTAINED HEREIN IS THE PROPRIETARY PROPERTY OF APPLE COMPUTER, INC. THE POSSESSOR AGREES TO THE FOLLOWING:		PAGE	6 OF 15
I TO MAINTAIN THIS DOCUMENT IN CONFIDENCE		SHEET	24 OF 33
II NOT TO REPRODUCE OR COPY IT			
III NOT TO REVEAL OR PUBLISH IT IN WHOLE OR PART			
IV ALL RIGHTS RESERVED			

DEBUG CONNECTOR

AP CONNECTIONS

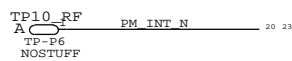


SLEEP_CLK_RF -- TEST POINT

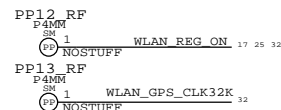
XO_OUT_D1_RF -- TEST POINT

TCXO_RTR_RF -- TEST POINT

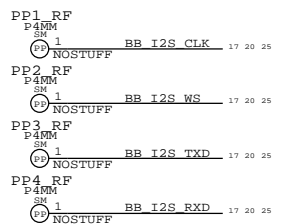
SSBI_PMIC -- TEST POINT



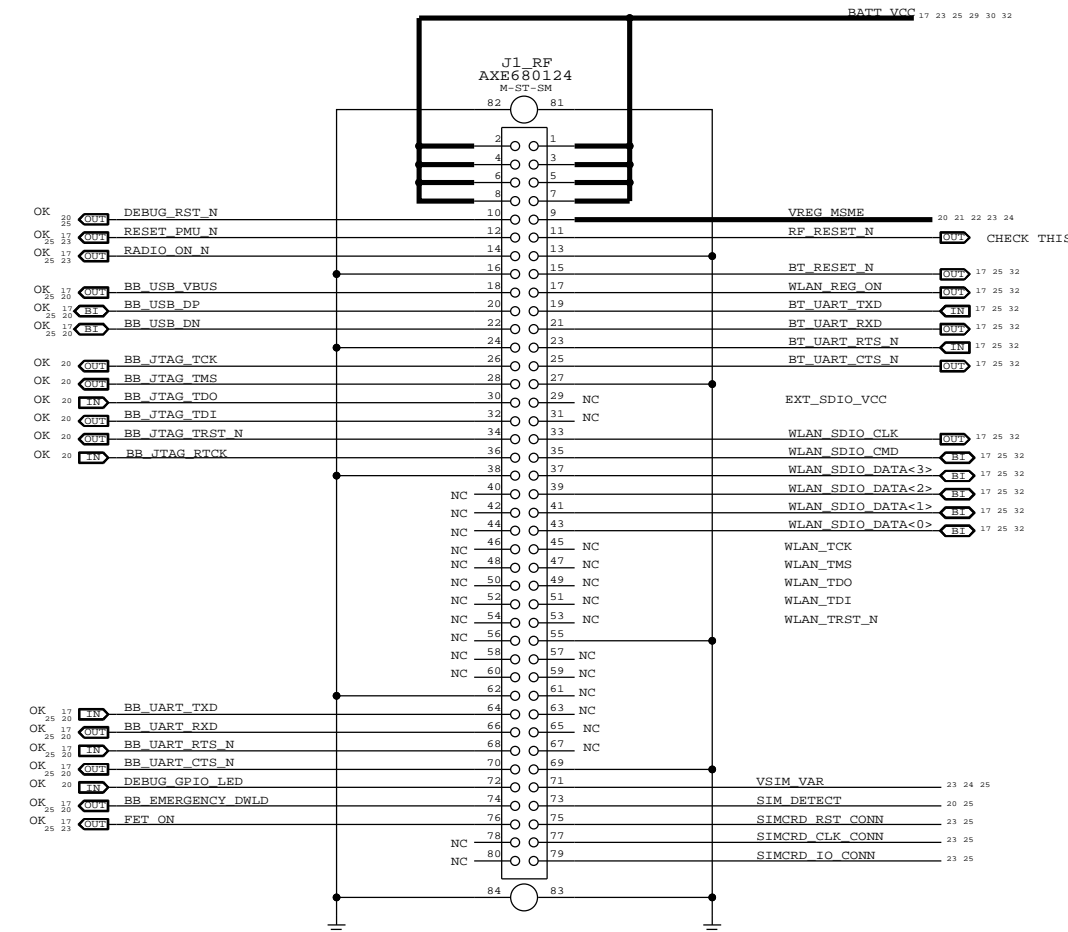
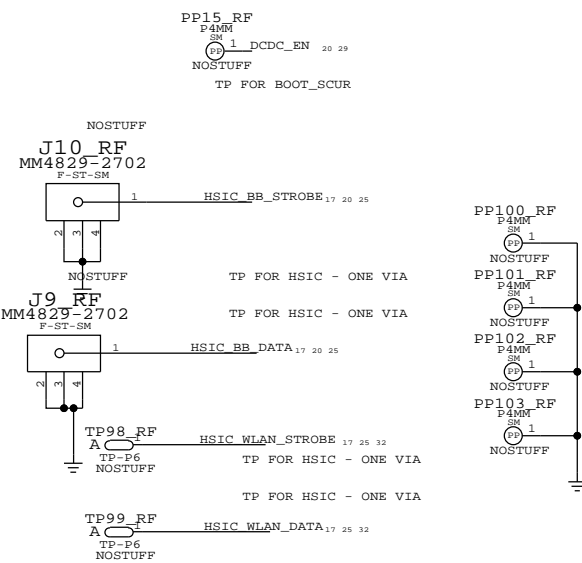
WLAN



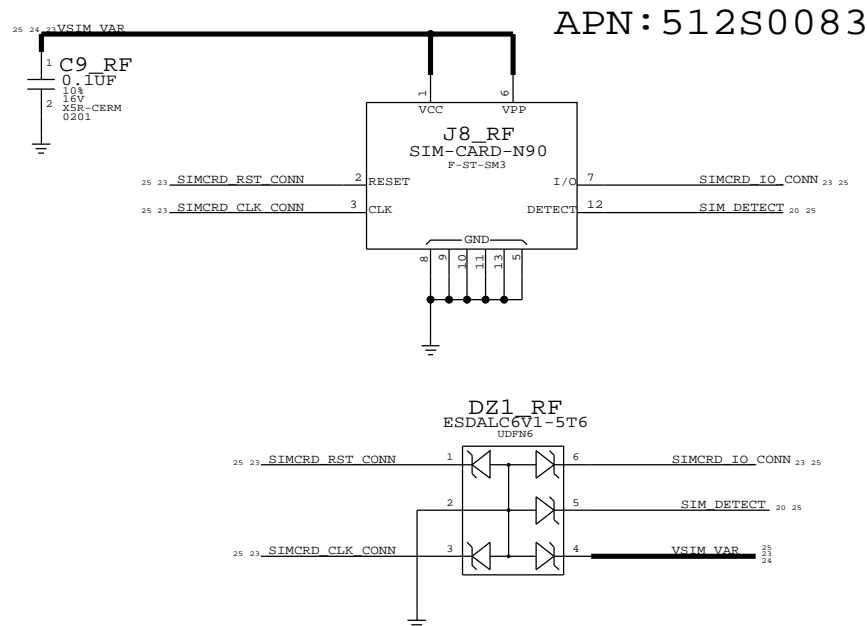
DIGITAL AUDIO



POWER DOMAINS



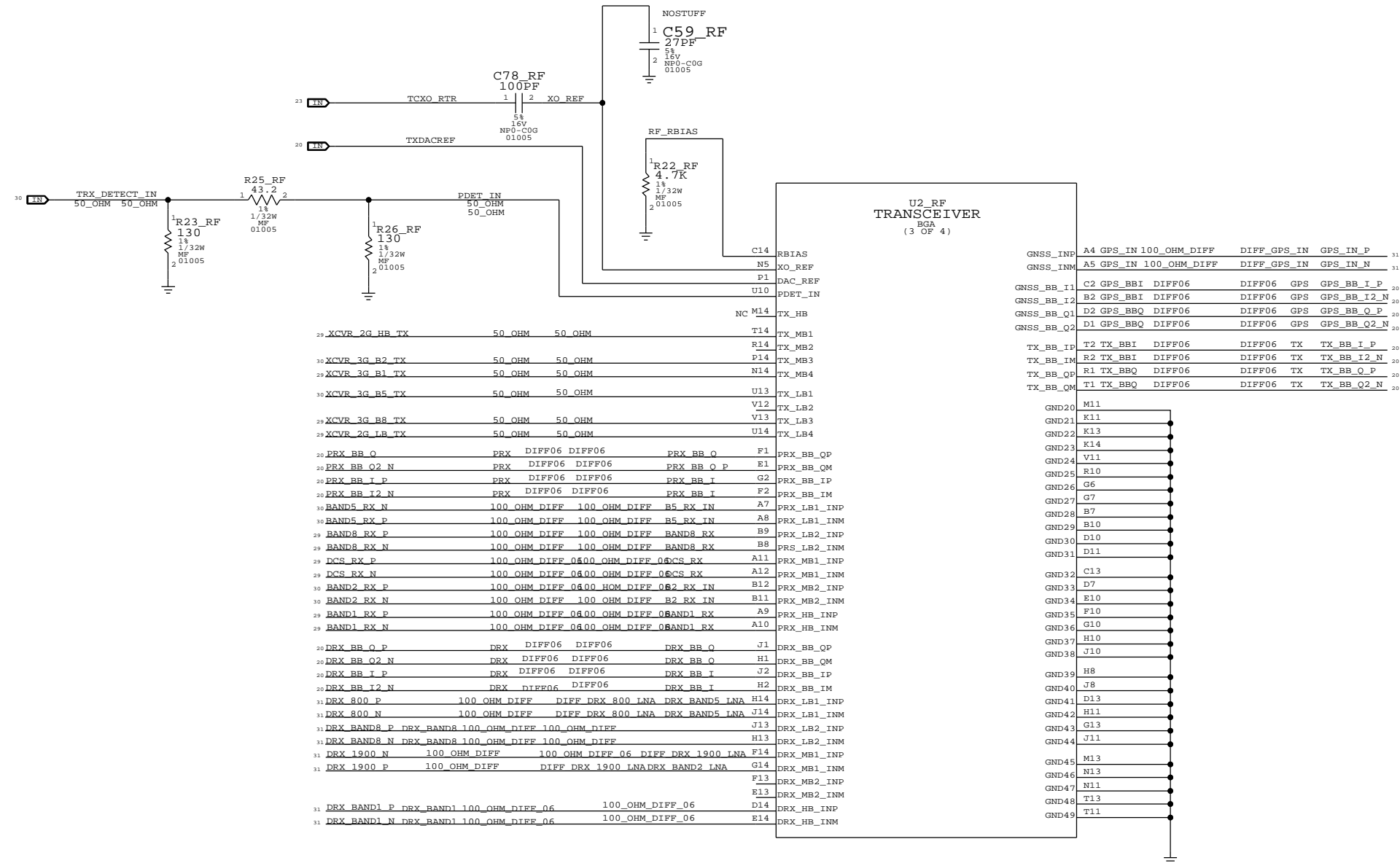
SIM CARD CONNECTOR



PAGE TITLE		DRAWING NUMBER		SIZE
SYSTEM & DEBUG CONNECTORS		051-8890		D
Apple Inc.		REVISION		12.0.0
NOTICE OF PROPRIETARY PROPERTY:		BRANCH		
THE INFORMATION CONTAINED HEREIN IS THE PROPRIETARY PROPERTY OF APPLE COMPUTER, INC. THE POSSESSOR AGREES TO THE FOLLOWING:		PAGE		7 OF 15
I TO MAINTAIN THIS DOCUMENT IN CONFIDENCE		SHEET		25 OF 33
II NOT TO REPRODUCE OR COPY IT				
III NOT TO REVEAL OR PUBLISH IT IN WHOLE OR PART				
IV ALL RIGHTS RESERVED				

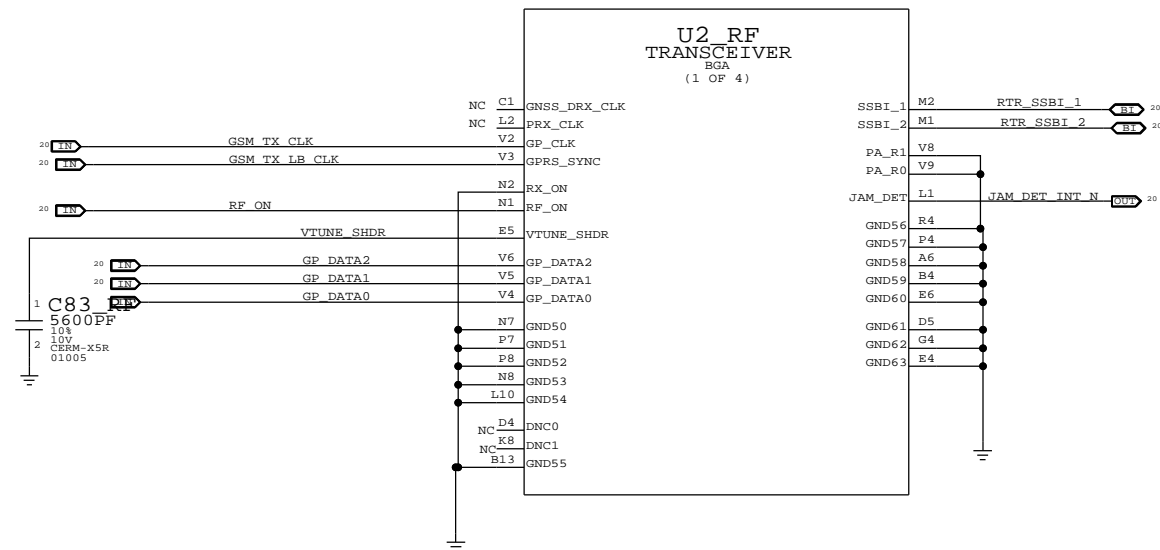
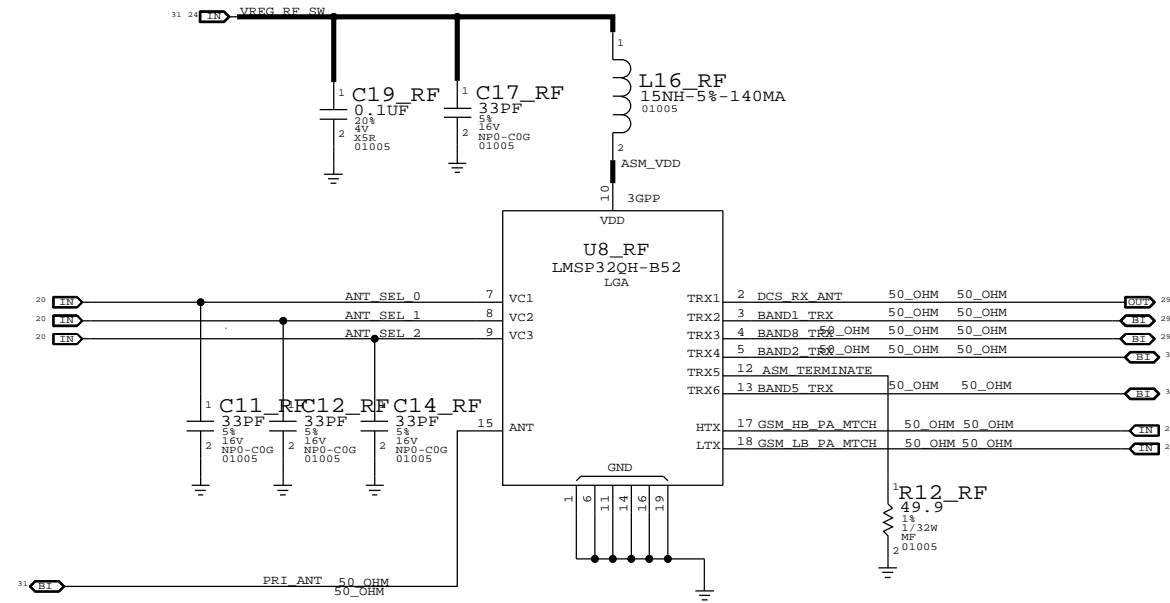
RF TRANSCEIVER

CONFIDENTIAL AND PROPRIETARY APPLE SYSTEM DESIGN. FOR REFERENCE PURPOSE ONLY - NOT A CHANGE REQUEST



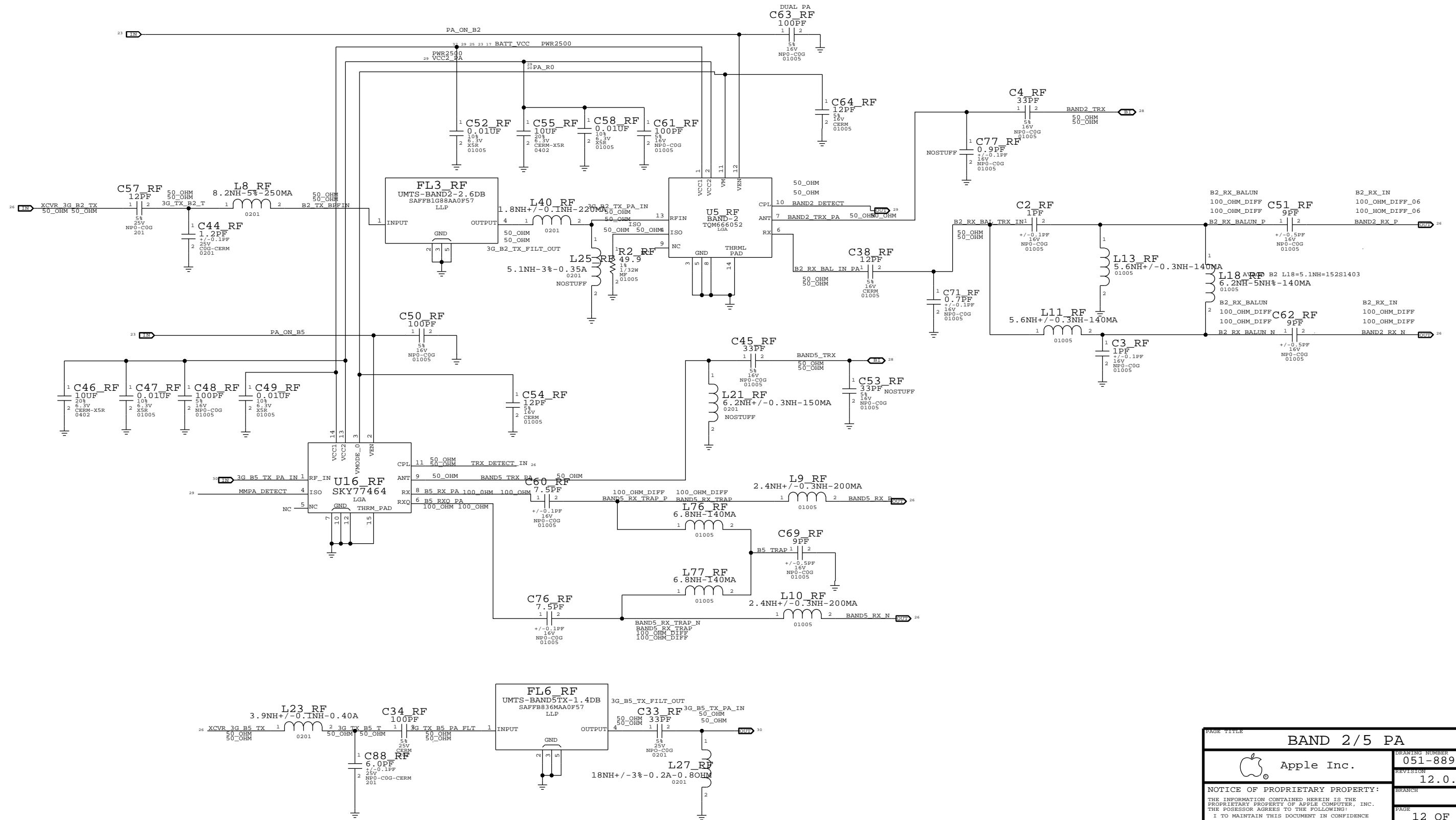
PAGE TITLE		RF RX/TX INTERFACE	
DRAWING NUMBER		051-8890	SIZE D
REVISION		12.0.0	
NOTICE OF PROPRIETARY PROPERTY:		BRANCH	
THE INFORMATION CONTAINED HEREIN IS THE PROPRIETARY PROPERTY OF APPLE COMPUTER, INC. THE POSSESSOR AGREES TO THE FOLLOWING:		PAGE	
I TO MAINTAIN THIS DOCUMENT IN CONFIDENCE		8 OF 15	
II NOT TO REPRODUCE OR COPY IT		SHEET	
III NOT TO REVEAL OR PUBLISH IT IN WHOLE OR PART		26 OF 33	
IV ALL RIGHTS RESERVED			

RF TRANSCEIVER AND ASM



PAGE TITLE		
RF TRANSCEIVER AND ASM		
Apple Inc.	DRAWING NUMBER	SIZE
	051-8890	D
	REVISION	
	12.0.0	
NOTICE OF PROPRIETARY PROPERTY:		
THE INFORMATION CONTAINED HEREIN IS THE PROPRIETARY PROPERTY OF APPLE COMPUTER, INC. THE POSSESSOR AGREES TO THE FOLLOWING:		
I TO MAINTAIN THIS DOCUMENT IN CONFIDENCE	BRANCH	
II NOT TO REPRODUCE OR COPY IT	PAGE	10 OF 15
III NOT TO REVEAL OR PUBLISH IT IN WHOLE OR PART	SHEET	28 OF 33
IV ALL RIGHTS RESERVED		

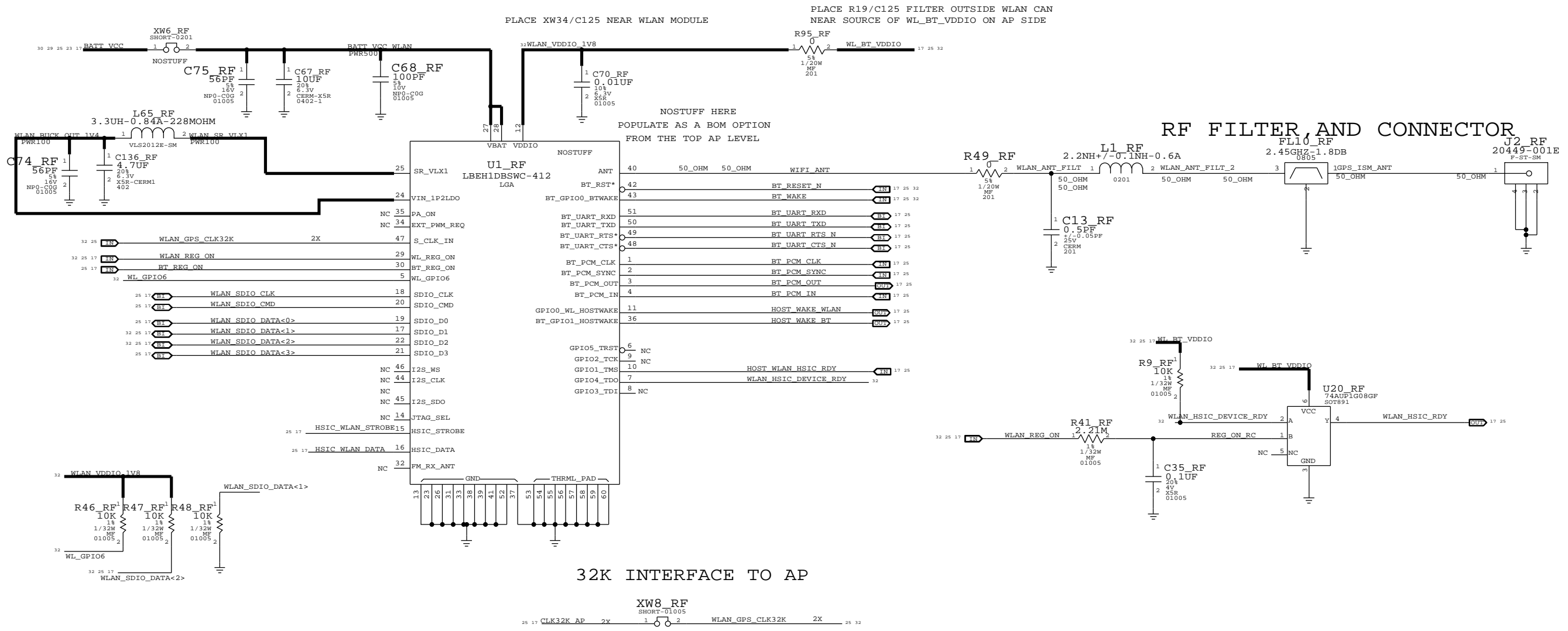
BAND 2 AND BAND 5 PAD



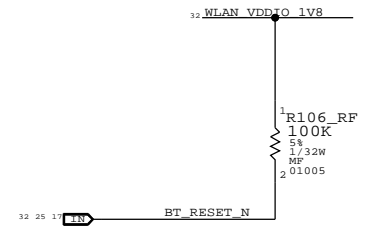
PAGE TITLE		BAND 2/5 PA	
Apple Inc.	DRAWING NUMBER	051-8890	SIZE
	REVISION	12.0.0	
NOTICE OF PROPRIETARY PROPERTY: THE INFORMATION CONTAINED HEREIN IS THE PROPRIETARY PROPERTY OF APPLE COMPUTER, INC. THE POSSESSOR AGREES TO THE FOLLOWING: I TO MAINTAIN THIS DOCUMENT IN CONFIDENCE II NOT TO REPRODUCE OR COPY IT III NOT TO REVEAL OR PUBLISH IT IN WHOLE OR PART IV ALL RIGHTS RESERVED		BRANCH	
		PAGE	12 OF 15
		SHEET	30 OF 33

WLAN/BLUETOOTH

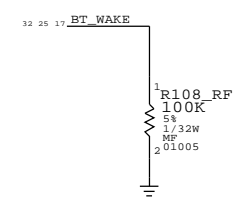
CONFIDENTIAL AND PROPRIETARY APPLE SYSTEM DESIGN. FOR REFERENCE PURPOSE ONLY - NOT A CHANGE REQUEST



PULL UP RESISTORS

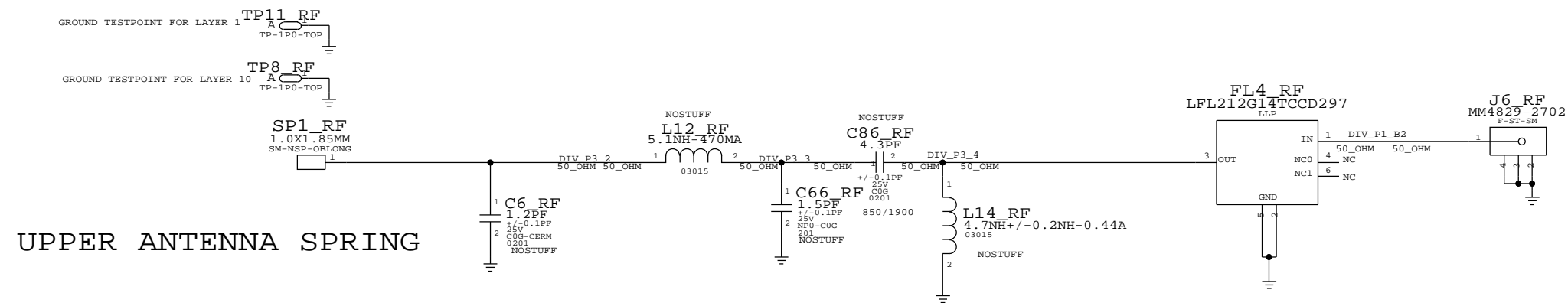


PULL DOWN RESISTORS



PAGE TITLE		
WIFI/BLUEOOTH/FM RADIO		
Apple Inc.	DRAWING NUMBER	051-8890
	REVISION	12.0.0
NOTICE OF PROPRIETARY PROPERTY:		
THE INFORMATION CONTAINED HEREIN IS THE PROPRIETARY PROPERTY OF APPLE COMPUTER, INC. THE POSSESSOR AGREES TO THE FOLLOWING:		
I TO MAINTAIN THIS DOCUMENT IN CONFIDENCE	BRANCH	
II NOT TO REPRODUCE OR COPY IT	PAGE	14 OF 15
III NOT TO REVEAL OR PUBLISH IT IN WHOLE OR PART	SHEET	32 OF 33
IV ALL RIGHTS RESERVED		

ANTENNA MATCHING



PAGE TITLE		?	
DRAWING NUMBER		051-8890	SIZE
REVISION		12.0.0	
NOTICE OF PROPRIETARY PROPERTY:		BRANCH	
THE INFORMATION CONTAINED HEREIN IS THE PROPRIETARY PROPERTY OF APPLE COMPUTER, INC. THE POSSESSOR AGREES TO THE FOLLOWING:		PAGE	
I TO MAINTAIN THIS DOCUMENT IN CONFIDENCE		15 OF 15	
II NOT TO REPRODUCE OR COPY IT		SHEET	
III NOT TO REVEAL OR PUBLISH IT IN WHOLE OR PART		33 OF 33	
IV ALL RIGHTS RESERVED			