

Compal Confidential

PAZ00 Schematics Document

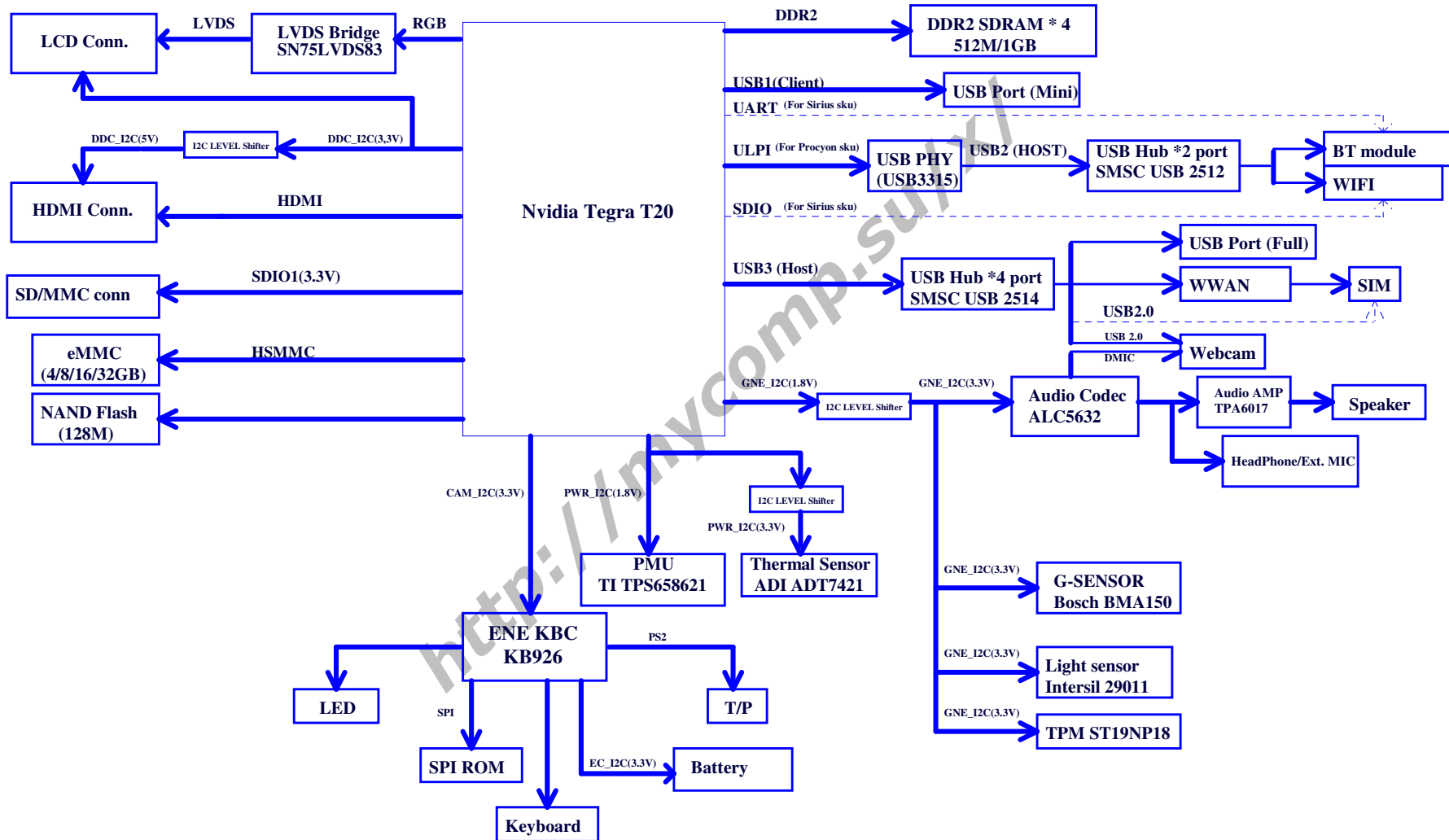
Nvidia(T20) + four x4 DDRII

2010-07-15

REV: 1.0a

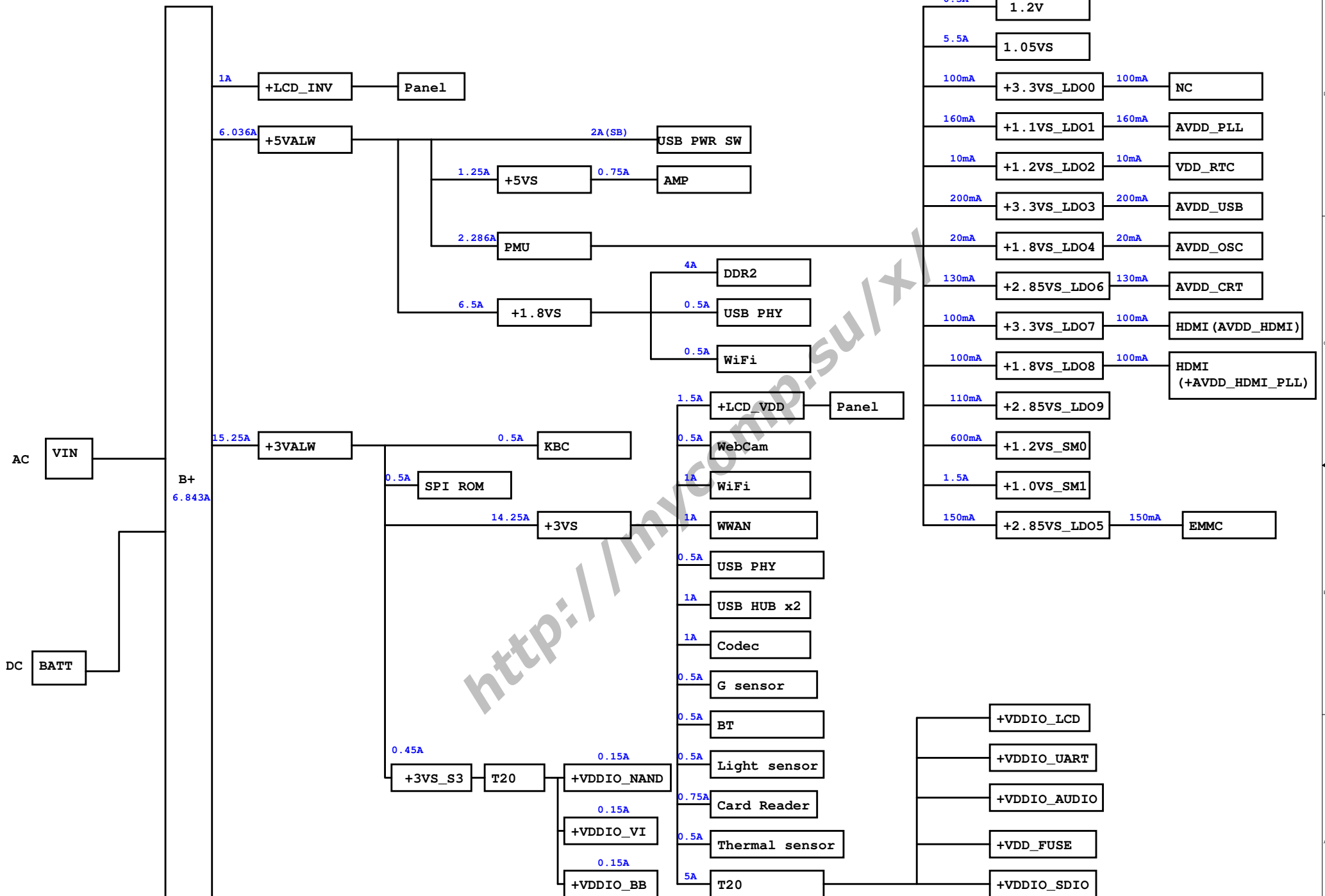
<http://mycompal.com/x/>

Security Classification	Compal Secret Data		Compal Electronics, Inc.		
Issued Date	2006/08/18	Deciphered Date	2008/09/20	Title	
THIS SHEET OF ENGINEERING DRAWING IS THE PROPRIETARY PROPERTY OF COMPAL ELECTRONICS, INC. AND CONTAINS CONFIDENTIAL AND TRADE SECRET INFORMATION. THIS SHEET MAY NOT BE TRANSFERRED FROM THE CUSTODY OF THE COMPETENT DIVISION OF R&D DEPARTMENT EXCEPT AS AUTHORIZED BY COMPAL ELECTRONICS, INC. NEITHER THIS SHEET NOR THE INFORMATION IT CONTAINS MAY BE USED BY OR DISCLOSED TO ANY THIRD PARTY WITHOUT PRIOR WRITTEN CONSENT OF COMPAL ELECTRONICS, INC.				Document Number	Rev
Size	T20 schematic			0.1	
Date:	Wednesday, July 21, 2010			Sheet 1 of 33	



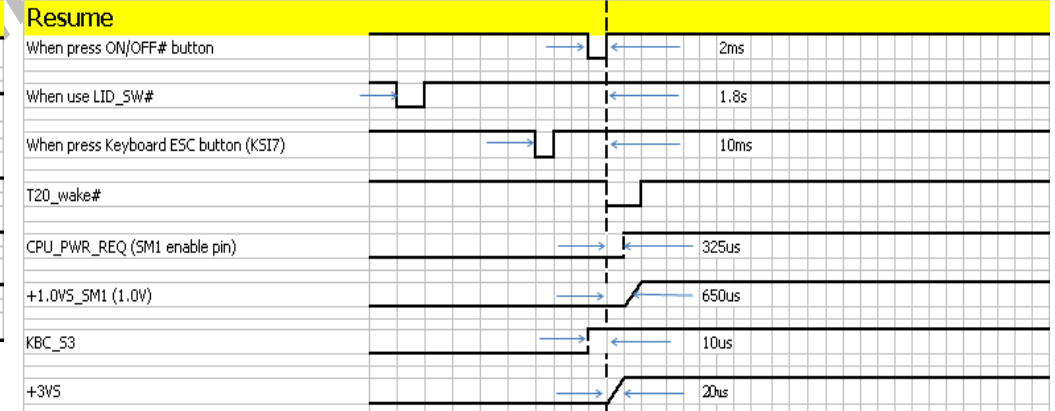
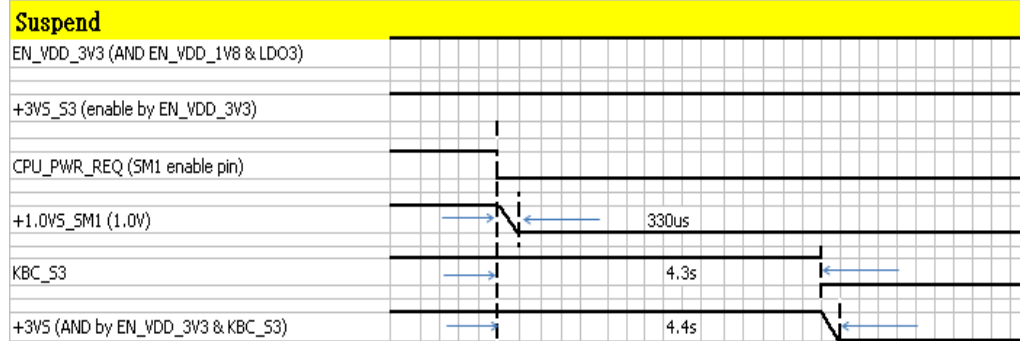
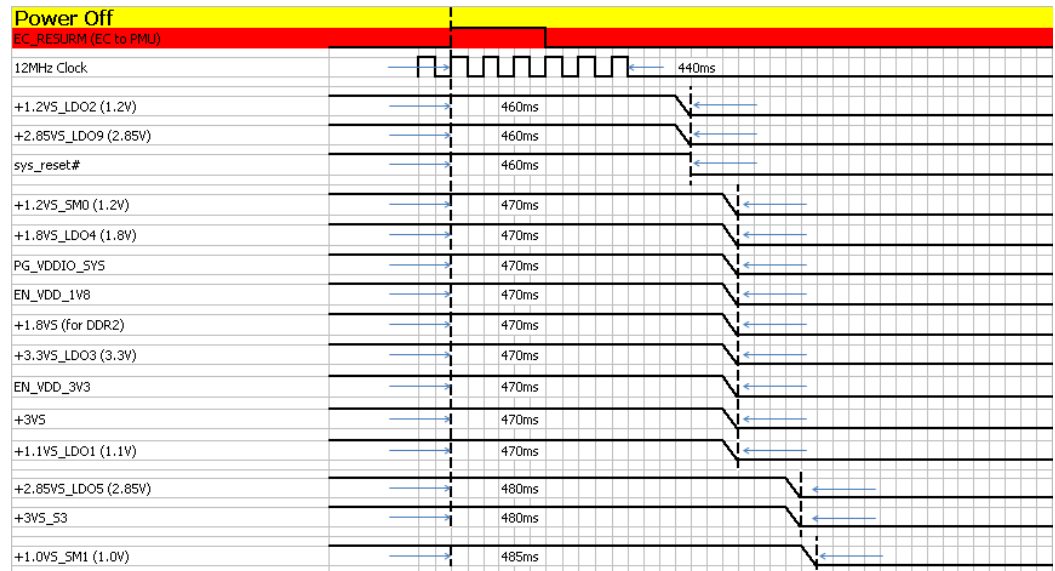
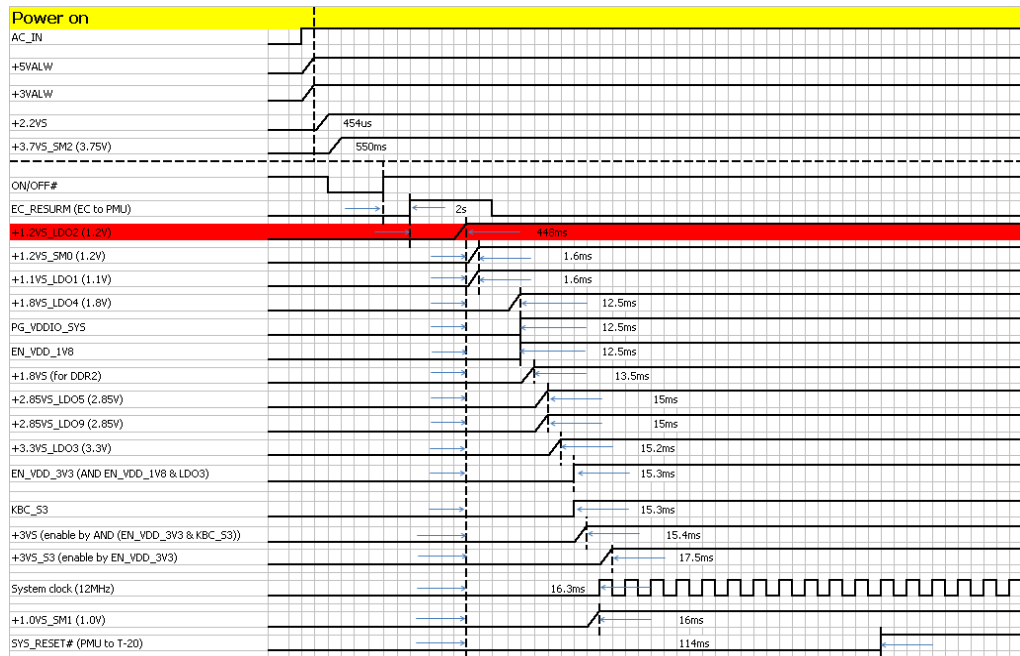
DC/DC Interface
DC IN
BATT IN
CHARGER

Security Classification	Compal Secret Data		Compal Electronics, Inc.	
Issued Date	2008/12/22	Deciphered Date	2009/12/22	Title
THIS SHEET OF ENGINEERING DRAWING IS THE PROPRIETARY PROPERTY OF COMPAL ELECTRONICS, INC. AND CONTAINS CONFIDENTIAL AND TRADE SECRET INFORMATION. THIS SHEET MAY NOT BE TRANSFERRED FROM THE CUSTODY OF THE COMPETENT DIVISION OF R&D DEPARTMENT EXCEPT AS AUTHORIZED BY COMPAL ELECTRONICS, INC. NEITHER THIS SHEET NOR THE INFORMATION IT CONTAINS MAY BE USED BY OR DISCLOSED TO ANY THIRD PARTY WITHOUT PRIOR WRITTEN CONSENT OF COMPAL ELECTRONICS, INC.				Block Diagram
Size	Document Number	Rev	0.1	
Date	Wednesday, July 21, 2010	Sheet	2	of 33



<http://m.compsu/x/>

Security Classification	Compal Secret Data		Compal Electronics, Inc.	
Issued Date	2009/08/28	Deciphered Date	2010/08/28	Title
THIS SHEET OF ENGINEERING DRAWING IS THE PROPRIETARY PROPERTY OF COMPAL ELECTRONICS, INC. AND CONTAINS CONFIDENTIAL AND TRADE SECRET INFORMATION. THIS SHEET MAY NOT BE TRANSFERRED FROM THE CUSTODY OF THE COMPETENT DIVISION OF R&D DEPARTMENT EXCEPT AS AUTHORIZED BY COMPAL ELECTRONICS, INC. NEITHER THIS SHEET NOR THE INFORMATION IT CONTAINS MAY BE USED BY OR DISCLOSED TO ANY THIRD PARTY WITHOUT PRIOR WRITTEN CONSENT OF COMPAL ELECTRONICS, INC.				Document Number LA-5952P Date: Wednesday, July 21, 2010
Size	C	Sheet	3	of 33
Rev	0.1			



Voltage Rails

Power Plane	Description	S1	S3	S5
VIN	Adapter power supply (19V)	N/A	N/A	N/A
B+	AC or battery power rail for power circuit.	N/A	N/A	N/A
+VDD_CPU	Core voltage for CPU	ON	OFF	OFF
+1.8V	1.8V power rail for DDR	ON	ON	OFF
+VDD_CORE	VCCP switched power rail	ON	OFF	OFF
+RTCVCC	RTC power	ON	ON	ON
+3VS_S3	3.3V switched power rail	ON	ON	OFF
+3VALW	3.3V always on power rail	ON	ON	ON*
+3VS	3.3V switched power rail	ON	OFF	OFF
+5VALW	5V always on power rail	ON	ON	ON*
+5VS	5V switched power rail	ON	OFF	OFF

BOM configuration

@ : For reserve.
 45@ : For 45 level.
 PR@ : For Procyon sku only
 SI@ : For Sirius sku only

Note : ON* means that this power plane is ON only with AC power available, otherwise it is OFF.

I2C/SM BUS Control

Table	SOURCE	T-20	EC KB926	Battery	PMIC	Thermal Sensor	Audio Codec	G sensor	TPM	Light sensor	HDMI	LCD Panel
EC_SMB_CK1 EC_SMB_DA1 (3.3V)	KB926			V (3.3V)								
DDC_SCL_3P3 DDC_SDA_3P3 (3.3V)	T-20										V (3.3V)	
CAM_I2C_SCL CAM_I2C_SDA (3.3V)	T-20		V (3.3V)									
GEN1_I2C_SCL GEN1_I2C_SDA (3.3V)	T-20						V (3.3V)	V (3.3V)	V (3.3V)	V (3.3V)		V (3.3V)
PWR_I2C_SCL PWR_I2C_SDA (1.8V)	T-20				V (1.8V)	V (3.3V)						

ZZZ1



X76 Hynix

X7624051L02

ZZZ



PCB_LA-6352P

DAZ0EF00100

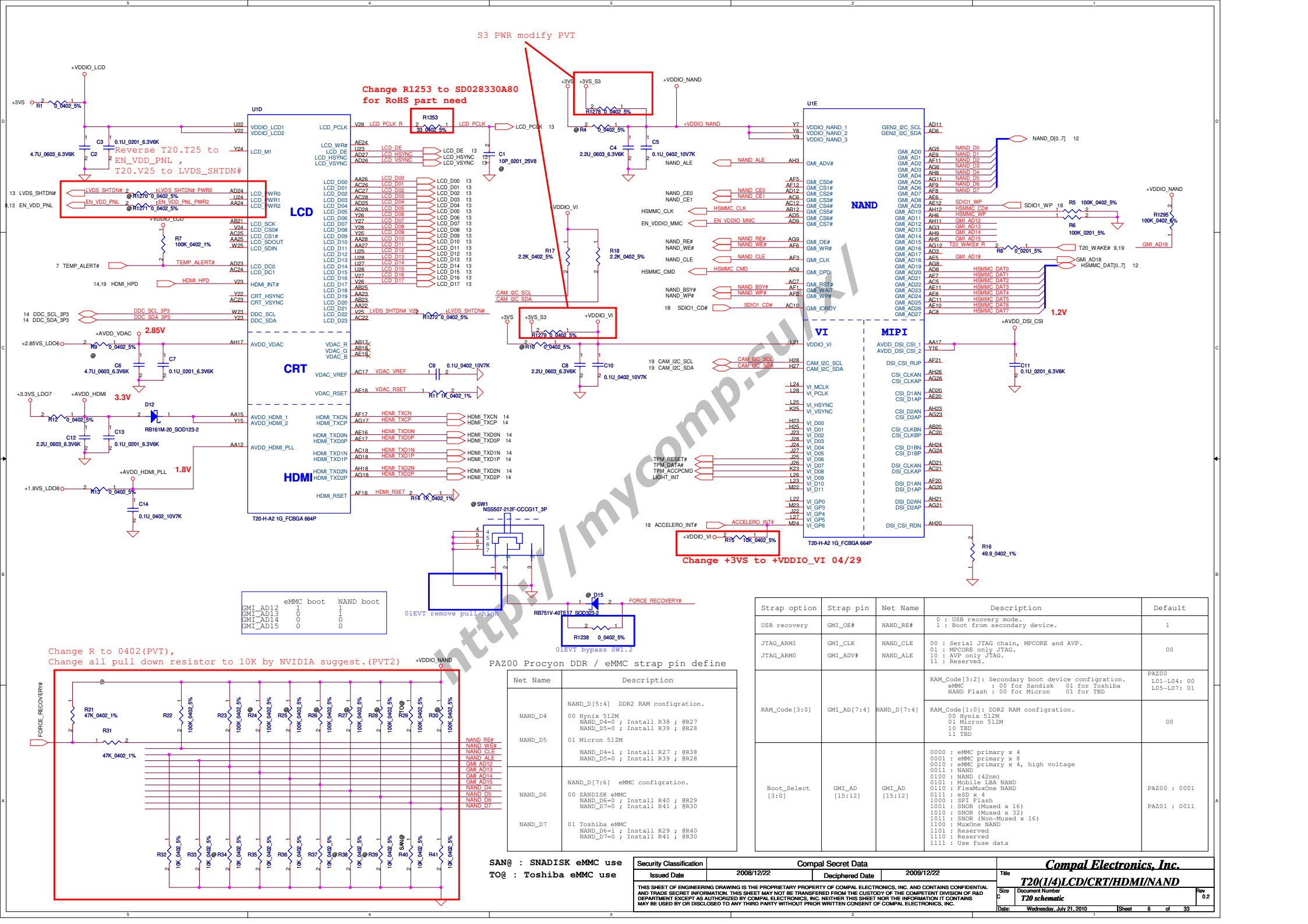
Security Classification	Compal Secret Data			Compal Electronics, Inc.		
Issued Date	2006/08/18	Deciphered Date	2008/09/20	Title		
				Notes List		
THIS SHEET OF ENGINEERING DRAWING IS THE PROPRIETARY PROPERTY OF COMPAL ELECTRONICS, INC. AND CONTAINS CONFIDENTIAL AND TRADE SECRET INFORMATION. THIS SHEET MAY NOT BE TRANSFERRED FROM THE CUSTODY OF THE COMPETENT DIVISION OF R&D DEPARTMENT EXCEPT AS AUTHORIZED BY COMPAL ELECTRONICS, INC. NEITHER THIS SHEET NOR THE INFORMATION IT CONTAINS MAY BE USED BY OR DISCLOSED TO ANY THIRD PARTY WITHOUT PRIOR WRITTEN CONSENT OF COMPAL ELECTRONICS, INC.				Size	Document Number	Rev
				Custom		0.1
				Date:	Wednesday, July 21, 2010	Sheet 5 of 33

S3 PWR modify PVT

Change R1253 to SD028330A80 for RoHS part need

Change +3VS to +VDDIO_VI 04/29

Change R to 0402 (PVT), Change all pull down resistor to 10K by NVIDIA suggest. (PVT2)



PAZ00 Procyon DDR / eMMC strap pin define

Net Name	Description
NAND_D4	NAND_D[5:4] DDR2 RAM configuration. 00 Hynix 512M NAND_D4=0; Install R38; @R27 NAND_D5=0; Install R39; @R28
NAND_D5	01 Micron 512M NAND_D4=1; Install R27; @R38 NAND_D5=0; Install R39; @R28
NAND_D6	NAND_D[7:6] eMMC configuration. 00 SANDISK eMMC NAND_D6=0; Install R40; @R29 NAND_D7=0; Install R41; @R30
NAND_D7	01 Toshiba eMMC NAND_D6=1; Install R29; @R40 NAND_D7=0; Install R41; @R30

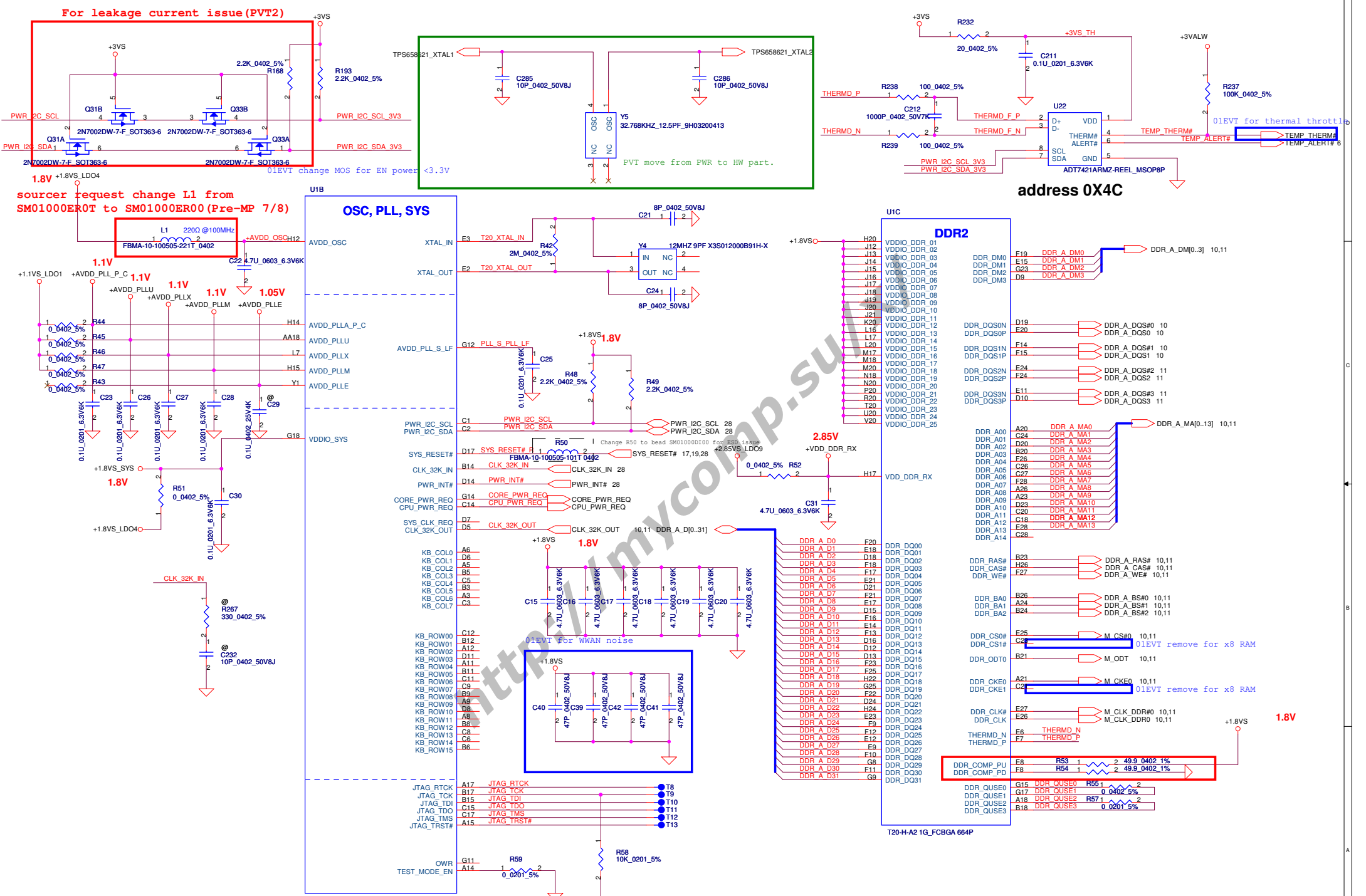
Strap option	Strap pin	Net Name	Description	Default
USB recovery	GMI_OE#	NAND_RE#	0 : USB recovery mode. 1 : Boot from secondary device.	1
JTAG_ARM1	GMI_CLK	NAND_CLE	00 : Serial JTAG chain, MPCORE and AVP. 01 : MPCORE only JTAG. 10 : AVP only JTAG. 11 : Reserved.	00
JTAG_ARM0	GMI_ADV#	NAND_ALE		
RAM_Code[3:2]			RAM_Code[3:2]: Secondary boot device configuration. eMMC : 00 for Sandisk 01 for Toshiba NAND Flash : 00 for Micron 01 for T20	PAZ00
RAM_Code[3:0]	GMI_AD[7:4]	NAND_D[7:4]	RAM_Code[1:0]: DDR2 RAM configuration. 00 Hynix 512M 01 Micron 512M 10 TBD 11 TBD	00
Boot_Select [3:0]	GMI_Ad [15:12]	GMI_Ad [15:12]	0000 : eMMC primary x 4 0001 : eMMC primary x 8 0010 : eMMC primary x 4, high voltage 0011 : NAND 0100 : NAND (42nm) 0101 : Mobile LBA NAND 0110 : FlexMuxOne NAND 0111 : eSD x 4 1000 : SPI Flash 1001 : SNOR (Muxed x 16) 1010 : SNOR (Muxed x 32) 1011 : SNOR (Non-Muxed x 16) 1100 : MuxOne NAND 1101 : Reserved 1110 : Reserved 1111 : Use fuse data	PAZ00 : 0001 PAZ01 : 0011

SAN@ : SNADISK eMMC use
TO@ : Toshiba eMMC use

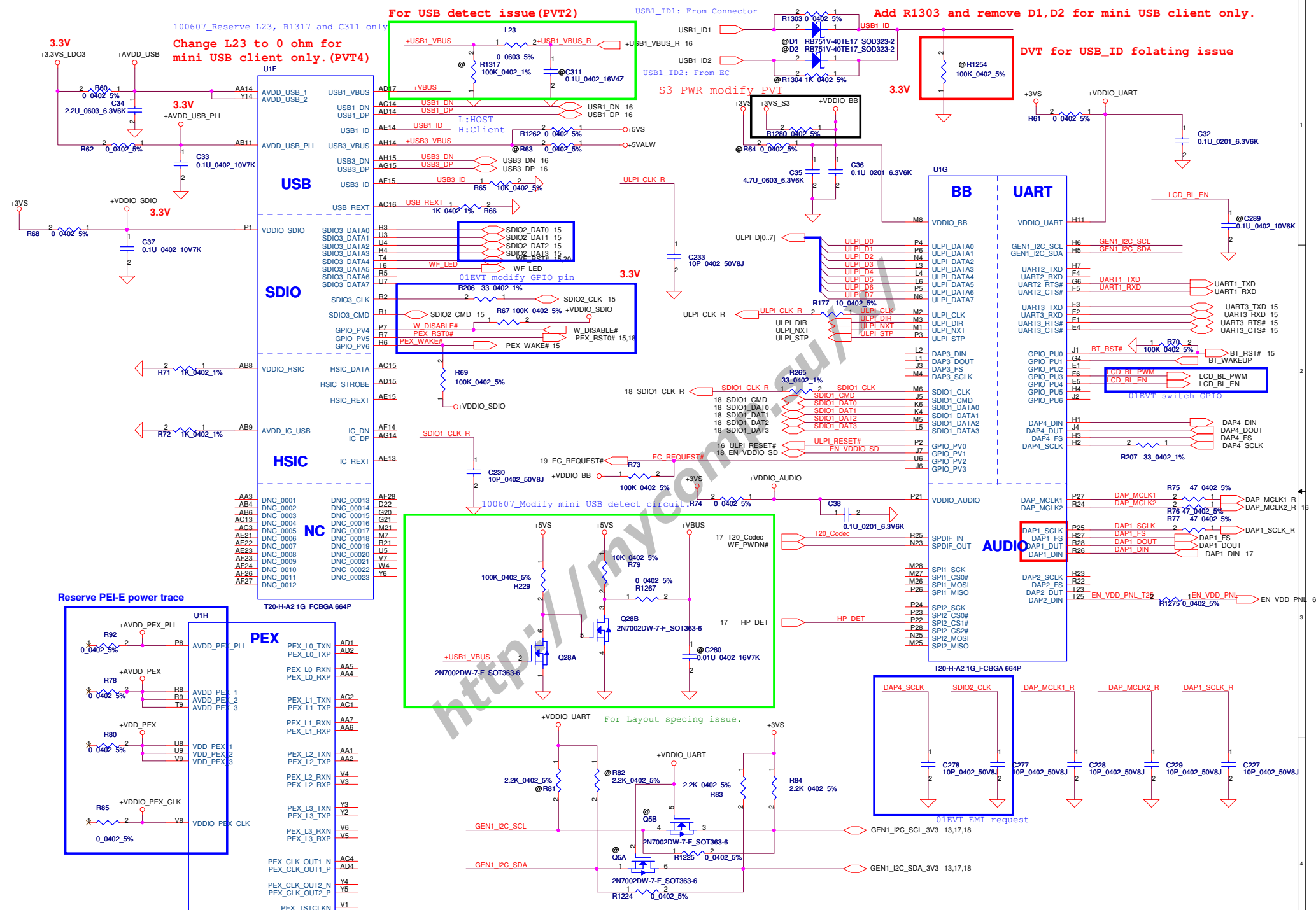
Security Classification	Compal Secret Data
Issued Date	2008/12/22
Deciphered Date	2009/12/22

Compal Electronics, Inc.	
T20(I14)LCD/CRT/HDMI/NAND	
Document Number	T20 schematic
Date	Wednesday, July 21, 2010
Sheet	6 of 33

THIS SHEET OF ENGINEERING DRAWINGS IS THE PROPRIETARY PROPERTY OF COMPAL ELECTRONICS, INC. AND CONTAINS CONFIDENTIAL AND TRADE SECRET INFORMATION. THIS SHEET MAY NOT BE TRANSFERRED FROM THE CUSTODY OF THE COMPETENT DIVISION OF R&D DEPARTMENT EXCEPT AS AUTHORIZED BY COMPAL ELECTRONICS, INC. NEITHER THIS SHEET NOR THE INFORMATION IT CONTAINS MAY BE USED BY OR DISCLOSED TO ANY THIRD PARTY WITHOUT PRIOR WRITTEN CONSENT OF COMPAL ELECTRONICS, INC.



Security Classification	Compal Secret Data		Title	
Issued Date	2008/10/03	Deciphered Date	2009/10/03	Compal Electronics, Inc.
THIS SHEET OF ENGINEERING DRAWING IS THE PROPRIETARY PROPERTY OF COMPAL ELECTRONICS, INC. AND CONTAINS CONFIDENTIAL AND TRADE SECRET INFORMATION. THIS SHEET MAY NOT BE TRANSFERRED FROM THE CUSTODY OF THE COMPETENT DIVISION OF THE DEPARTMENT EXCEPT AS AUTHORIZED BY COMPAL ELECTRONICS, INC. NEITHER THIS SHEET NOR THE INFORMATION IT CONTAINS MAY BE USED BY OR DISCLOSED TO ANY THIRD PARTY WITHOUT PRIOR WRITTEN CONSENT OF COMPAL ELECTRONICS, INC.				
Document Number	Date: Wednesday, July 21, 2010		Sheet	7 of 33
Rev	1.0			



Security Classification	Compal Secret Data	
Issued Date	2005/05/26	Deciphered Date
		2006/07/26

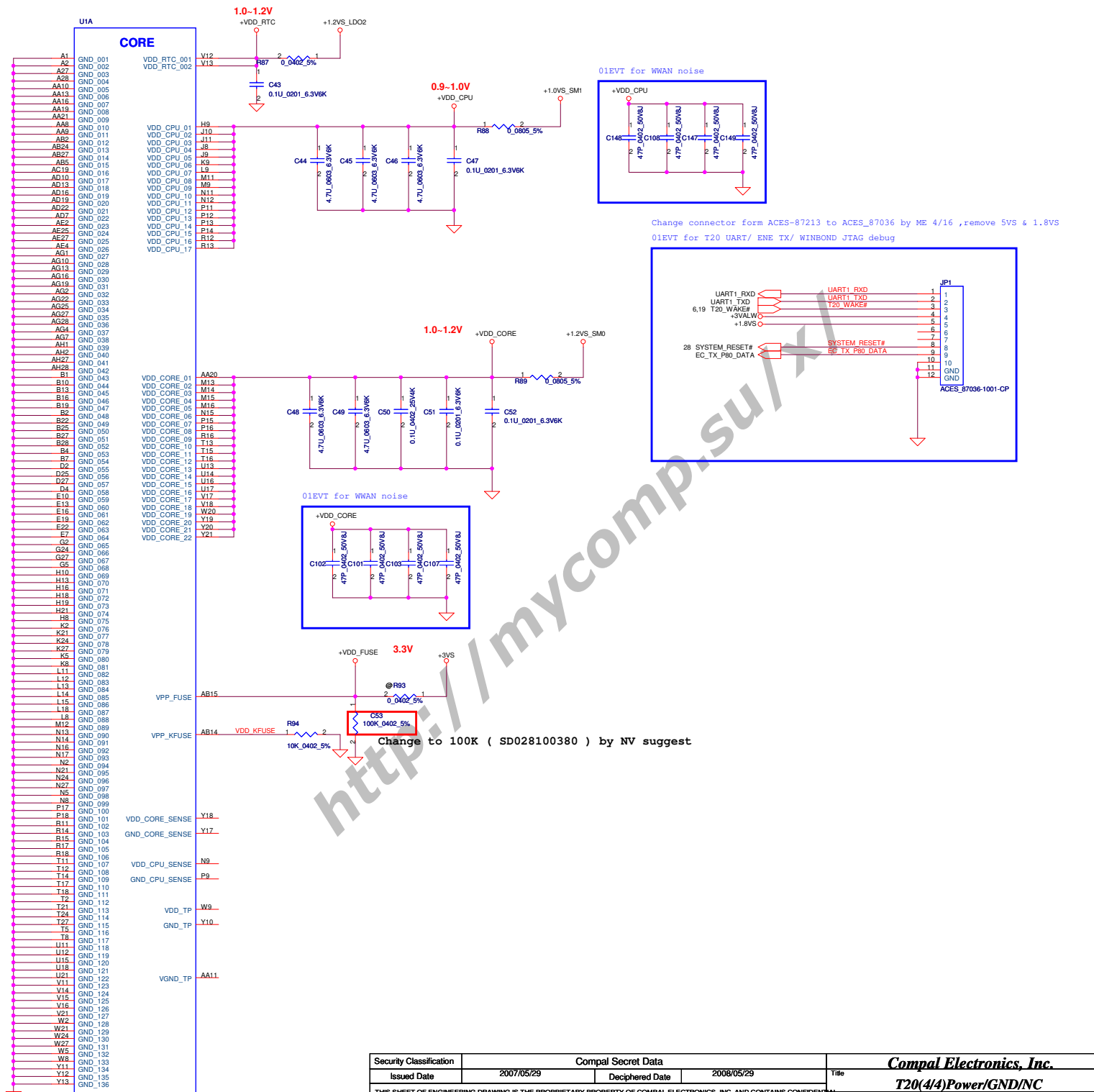
THIS SHEET OF ENGINEERING DRAWING IS THE PROPRIETARY PROPERTY OF COMPAL ELECTRONICS, INC. AND CONTAINS CONFIDENTIAL AND TRADE SECRET INFORMATION. THIS SHEET MAY NOT BE TRANSFERRED FROM THE CUSTODY OF THE COMPETENT DIVISION OF COMPAL ELECTRONICS, INC. NEITHER THIS SHEET NOR THE INFORMATION IT CONTAINS MAY BE USED BY OR DISCLOSED TO ANY THIRD PARTY WITHOUT PRIOR WRITTEN CONSENT OF COMPAL ELECTRONICS, INC.

Compal Electronics, Inc.

T20(3/4)USB/SUDIO/UART/AUDIO

T20 schematic

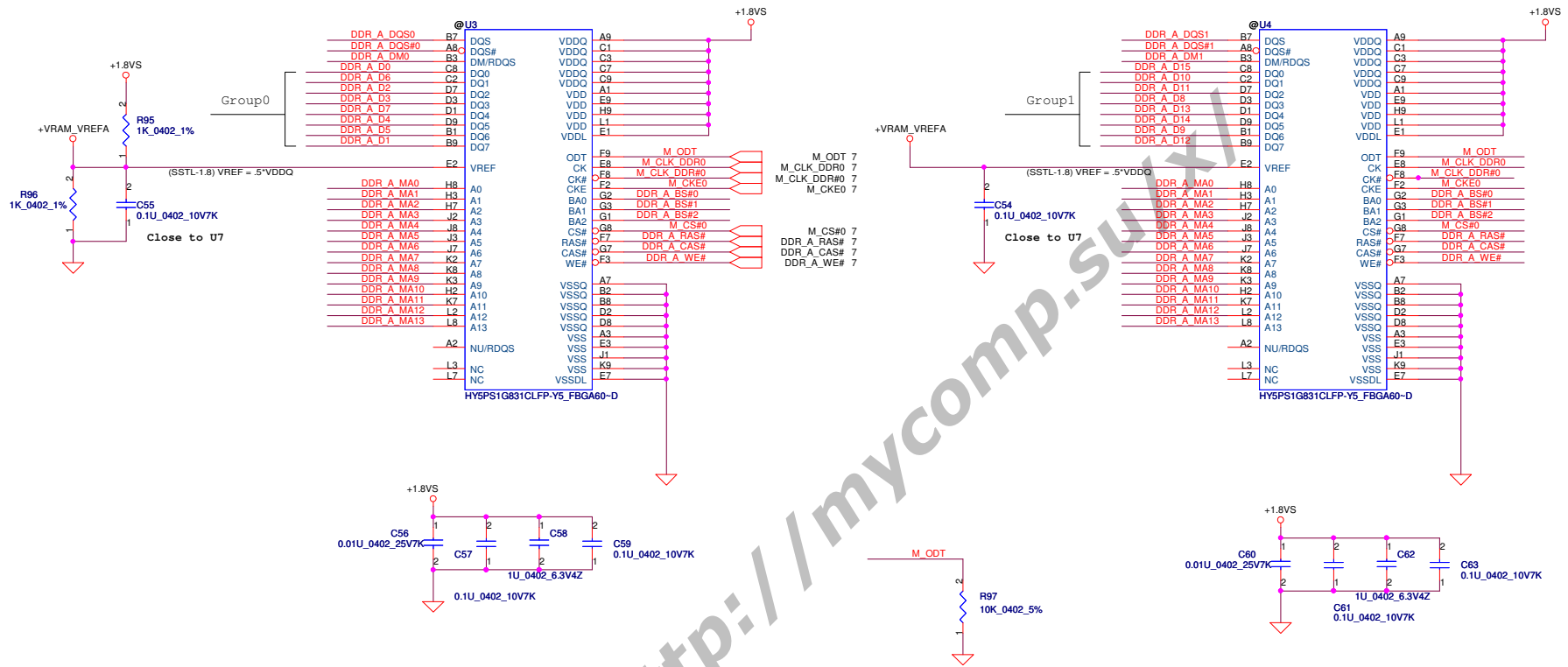
Date: Wednesday, July 21, 2010 | Sheet 8 of 33



T20-HA2 IG_FCBGA 664PT20_23X23

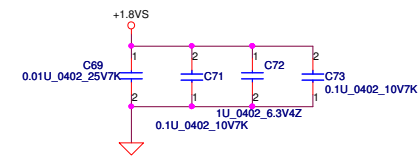
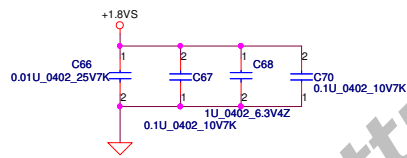
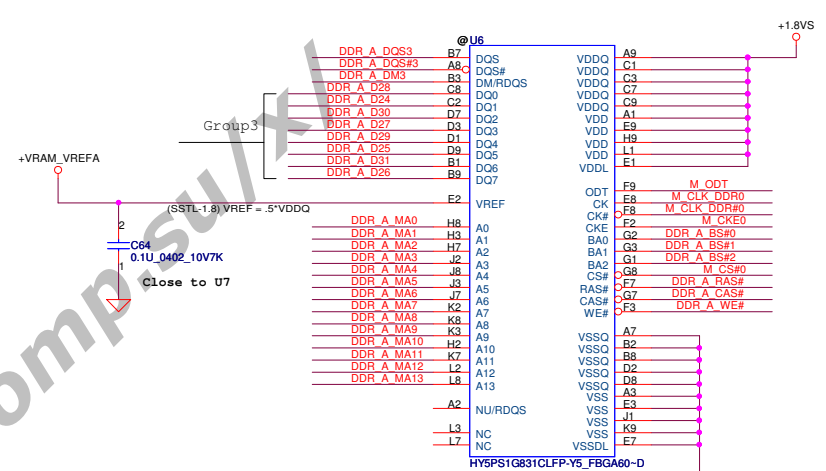
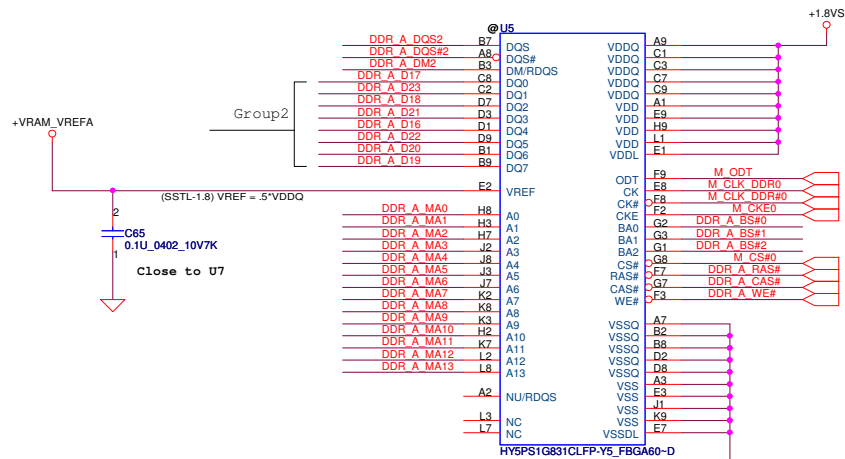
Security Classification		Compal Secret Data		Compal Electronics, Inc.	
Issued Date	2007/05/29	Deciphered Date	2008/05/29	Title	
				T20(4/4)Power/GND/NC	
THIS SHEET OF ENGINEERING DRAWING IS THE PROPRIETARY PROPERTY OF COMPAL ELECTRONICS, INC. AND CONTAINS CONFIDENTIAL AND TRADE SECRET INFORMATION. THIS SHEET MAY NOT BE TRANSFERRED FROM THE CUSTODY OF THE COMPETENT DIVISION OF RESEARCH AND DEVELOPMENT EXCEPT AS AUTHORIZED BY COMPAL ELECTRONICS, INC. NEITHER THIS SHEET NOR THE INFORMATION IT CONTAINS MAY BE USED BY OR DISCLOSED TO ANY THIRD PARTY WITHOUT PRIOR WRITTEN CONSENT OF COMPAL ELECTRONICS, INC.				Document Number	Rev
				T20 schematic	0.1
Date:				Wednesday, July 21, 2010	Sheet 9 of 33

- 7,11 DDR_A_BS#[0..2]
- 7 DDR_A_D[0..15]
- 7 DDR_A_DQS[0..1]
- 7 DDR_A_DQS#[0..1]
- 7,11 DDR_A_MA[0..13]
- 7 DDR_A_DM[0..1]



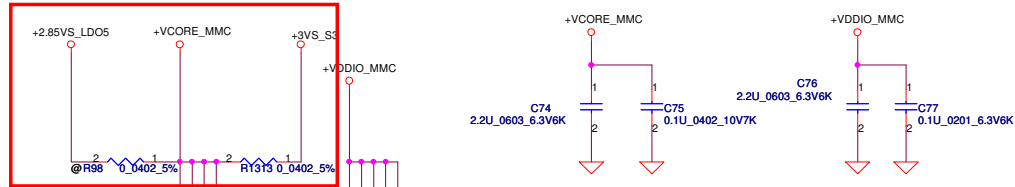
Security Classification	Compal Secret Data		Title	
Issued Date	2008/12/22	Deciphered Date	2009/12/22	Compal Electronics, Inc.
				DDRII(1/2)
THIS SHEET OF ENGINEERING DRAWING IS THE PROPRIETARY PROPERTY OF COMPAL ELECTRONICS, INC. AND CONTAINS CONFIDENTIAL AND TRADE SECRET INFORMATION. THIS SHEET MAY NOT BE TRANSFERRED FROM THE CUSTODY OF THE COMPETENT DIVISION OF FIROUZ				Document Number
DEPARTMENT EXCEPT AS AUTHORIZED BY COMPAL ELECTRONICS, INC. NEITHER THIS SHEET NOR THE INFORMATION IT CONTAINS MAY BE USED BY OR DISCLOSED TO ANY THIRD PARTY WITHOUT PRIOR WRITTEN CONSENT OF COMPAL ELECTRONICS, INC.				T20 schematic
				Rev 0.1
Date: Wednesday, July 21, 2010				Sheet 10 of 33

- 7,10 DDR_A_BS#[0..2]
- 7 DDR_A_D[16..31]
- 7 DDR_A_DOS[2..3]
- 7 DDR_A_DOS#[2..3]
- 7,10 DDR_A_MA[0..13]
- 7 DDR_A_DM[2..3]

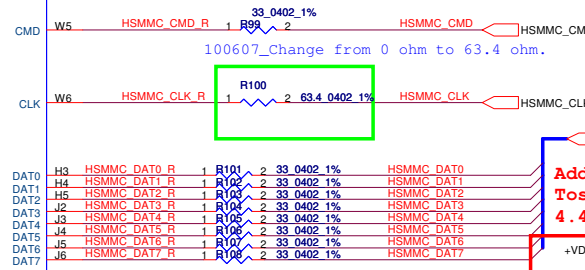
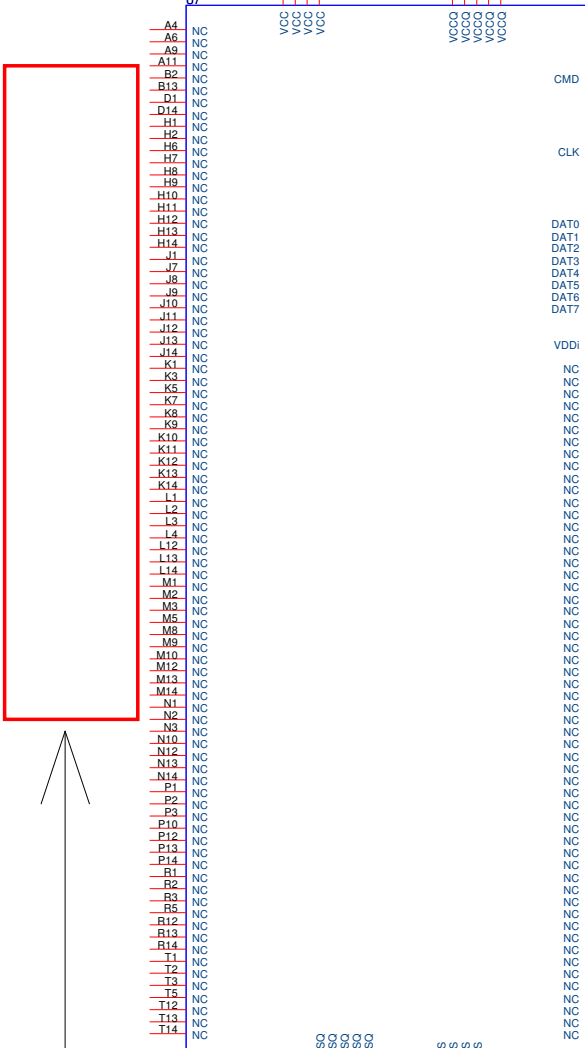
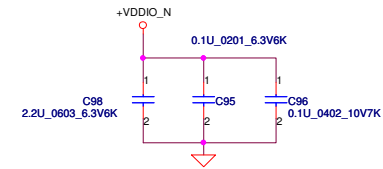


Security Classification	Compal Secret Data			Title	Compal Electronics, Inc.		
Issued Date	2008/12/22	Deciphered Date	2009/12/22	DDRII(2/2)			
THIS SHEET OF ENGINEERING DRAWING IS THE PROPRIETARY PROPERTY OF COMPAL ELECTRONICS, INC. AND CONTAINS CONFIDENTIAL AND TRADE SECRET INFORMATION. THIS SHEET MAY NOT BE TRANSFERRED FROM THE CUSTODY OF THE COMPETENT DIVISION OF FR&D DEPARTMENT EXCEPT AS AUTHORIZED BY COMPAL ELECTRONICS, INC. NEITHER THIS SHEET NOR THE INFORMATION IT CONTAINS MAY BE USED BY OR DISCLOSED TO ANY THIRD PARTY WITHOUT PRIOR WRITTEN CONSENT OF COMPAL ELECTRONICS, INC.				Document Number	T20 schematic		
Date:	Wednesday, July 21, 2010	Sheet	11	of	33	Rev	0.1

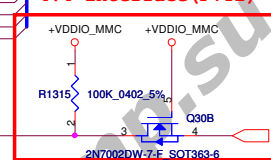
Change PWR to +3VS_S3 for eMMC cold boot issue (Pre-MP 7/8)



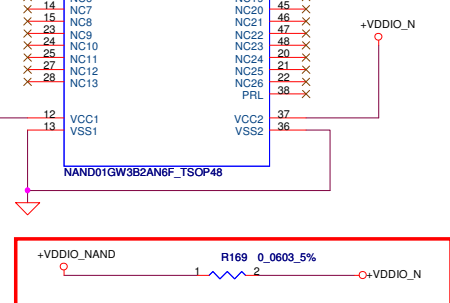
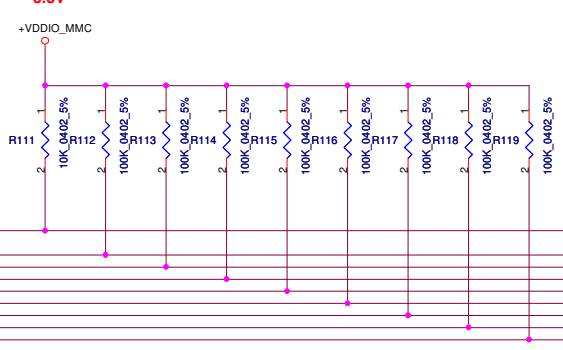
Y4 must connector to Y3 & AA2 for with out use 3.5 mil trace



Add reset Pin for Toshiba eMMC 4.4 interface (PVT2)



Remove EN_VDDIO_MMC

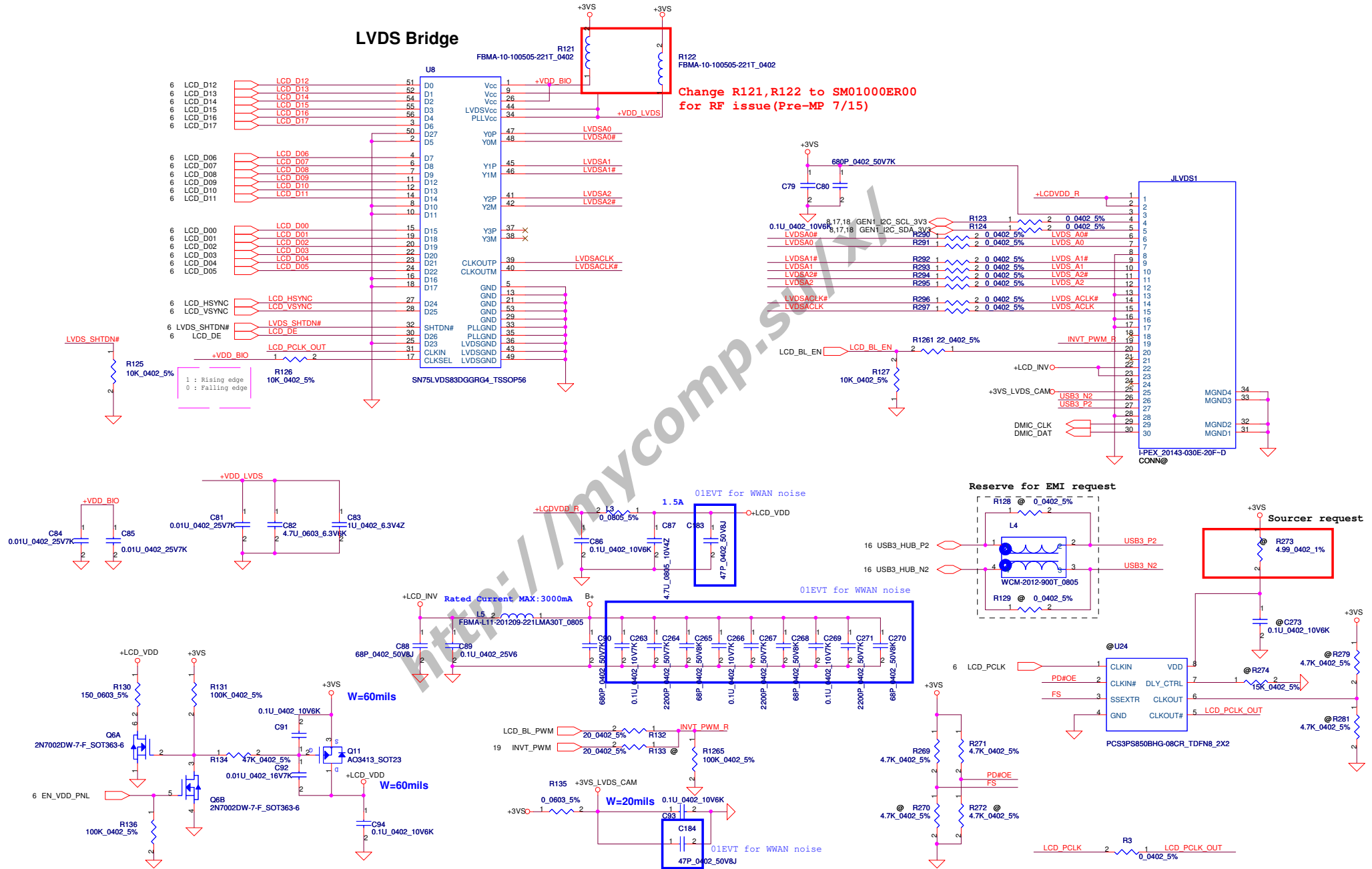


Change +3VS to +VDDIO_NAND 4/29

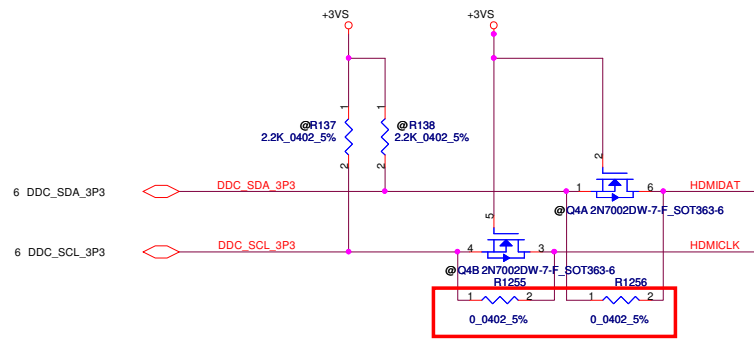
Y2 must connector to AA2 for with out use 3.5 mil trace
 Y5 must connector to Y6 & Y7 & AA7 for with out use 3.5 mil trace
 Change to 3 mil for Toshiba eMMC 4.4 interface. (PVT 2nd build)

Security Classification		Compal Secret Data		Title	
Issued Date	2008/12/22	Deciphered Date	2009/12/22	Compal Electronics, Inc.	
THIS SHEET OF ENGINEERING DRAWING IS THE PROPRIETARY PROPERTY OF COMPAL ELECTRONICS, INC. AND CONTAINS CONFIDENTIAL AND TRADE SECRET INFORMATION. THIS SHEET MAY NOT BE TRANSFERRED FROM THE CUSTODY OF THE COMPETENT DIVISION OF R&D DEPARTMENT EXCEPT AS AUTHORIZED BY COMPAL ELECTRONICS, INC. NEITHER THIS SHEET NOR THE INFORMATION IT CONTAINS MAY BE USED BY OR DISCLOSED TO ANY THIRD PARTY WITHOUT PRIOR WRITTEN CONSENT OF COMPAL ELECTRONICS, INC.				Document Number	Rev
				T20 schematic	0.1
Date: Wednesday, July 21, 2010				Sheet	12 of 33

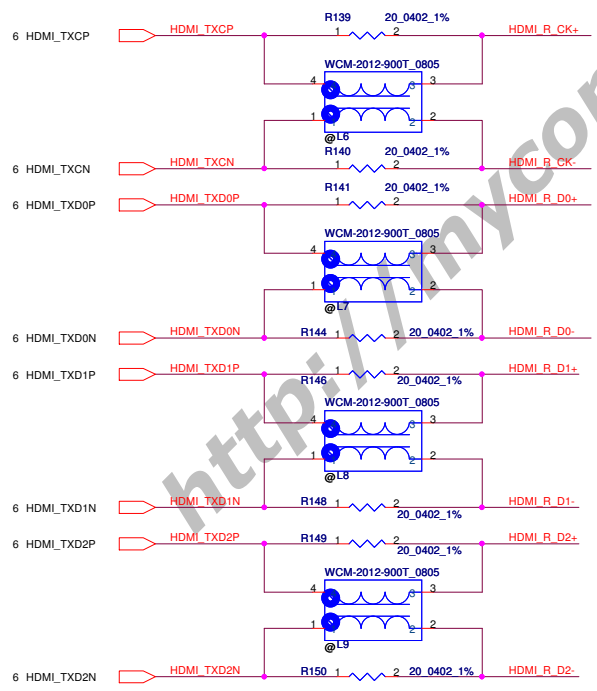
LVDS Bridge



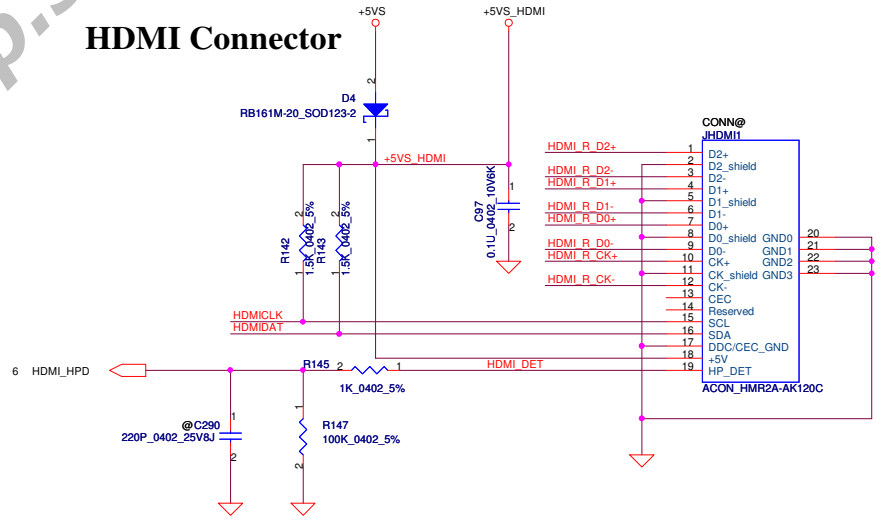
Security Classification	Compal Secret Data		Title	
Issued Date	2008/12/22	Deciphered Date	2009/12/22	Compal Electronics, Inc.
THIS SHEET OF ENGINEERING DRAWING IS THE PROPRIETARY PROPERTY OF COMPAL ELECTRONICS, INC. AND CONTAINS CONFIDENTIAL AND TRADE SECRET INFORMATION. THIS SHEET MAY NOT BE TRANSFERRED FROM THE CUSTODY OF THE COMPETENT DIVISION OF R&D DEPARTMENT EXCEPT AS AUTHORIZED BY COMPAL ELECTRONICS, INC. NEITHER THIS SHEET NOR THE INFORMATION IT CONTAINS MAY BE USED BY OR DISCLOSED TO ANY THIRD PARTY WITHOUT PRIOR WRITTEN CONSENT OF COMPAL ELECTRONICS, INC.				Document Number
				T20 schematic
				Rev 0.1
				Date: Wednesday, July 21, 2010 Sheet 13 of 33



DVT reserve R for NV suggestion 4/16

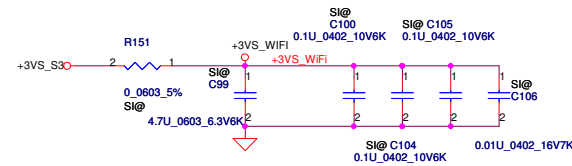


HDMI Connector

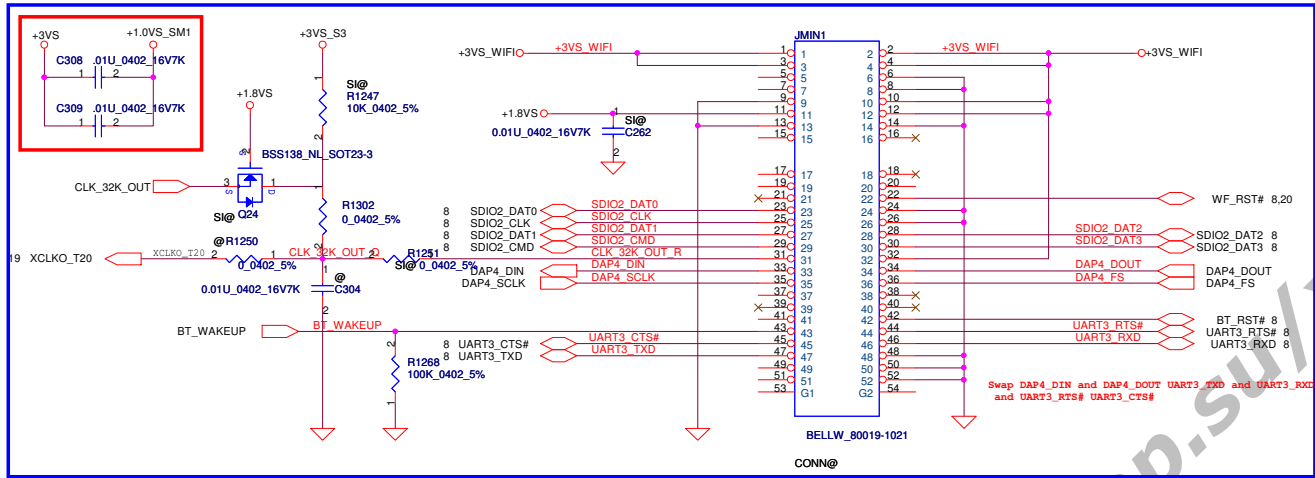


Security Classification	Compal Secret Data		Title		Compal Electronics, Inc.	
Issued Date	2008/12/22	Deciphered Date	2009/12/22	Document Number		Rev
THIS SHEET OF ENGINEERING DRAWING IS THE PROPRIETARY PROPERTY OF COMPAL ELECTRONICS, INC. AND CONTAINS CONFIDENTIAL AND TRADE SECRET INFORMATION. THIS SHEET MAY NOT BE TRANSFERRED FROM THE CUSTODY OF THE COMPETENT DIVISION OF THE DEPARTMENT EXCEPT AS AUTHORIZED BY COMPAL ELECTRONICS, INC. NEITHER THIS SHEET NOR THE INFORMATION IT CONTAINS MAY BE USED BY OR DISCLOSED TO ANY THIRD PARTY WITHOUT PRIOR WRITTEN CONSENT OF COMPAL ELECTRONICS, INC.				T20 schematic		0.1
Date: Wednesday, July 21, 2010				Sheet	14	of 33

Mini-Express Card for WiFi

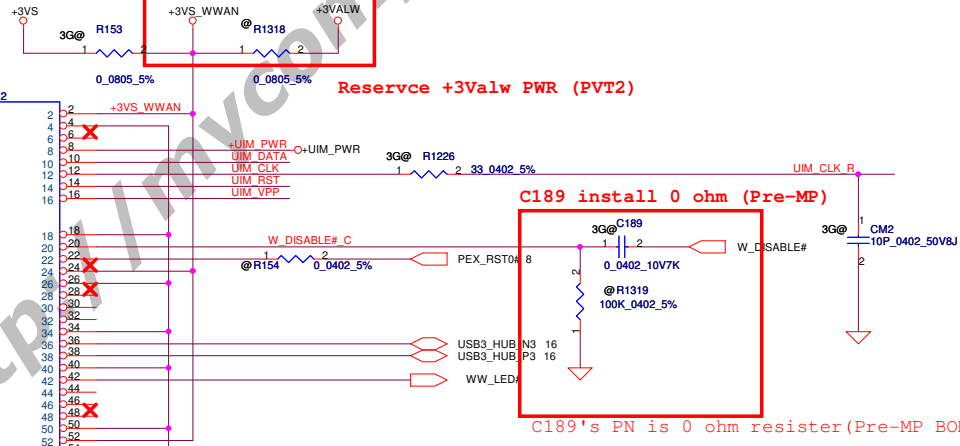


Add C*2 for 32.768KHz cross moat issue on PVT 5/5.

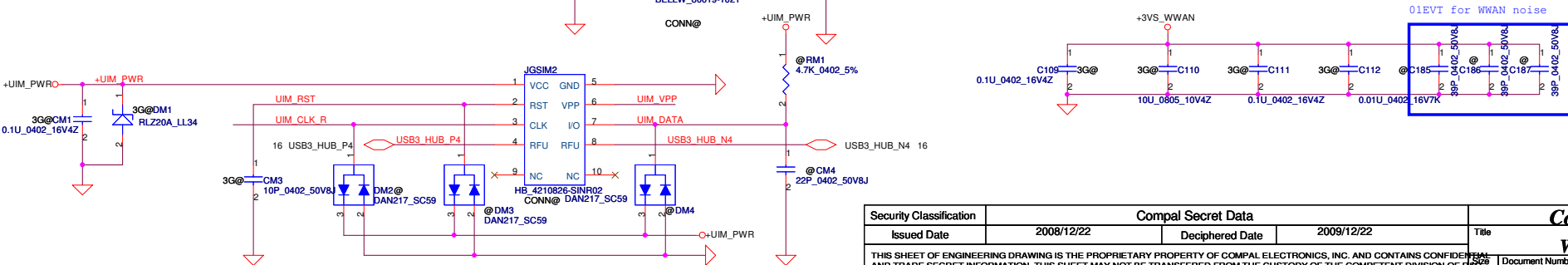


01EVT for new WiFi/BT module UHMC-RGNB-AR-01/ UHMC-GNB-AR-01

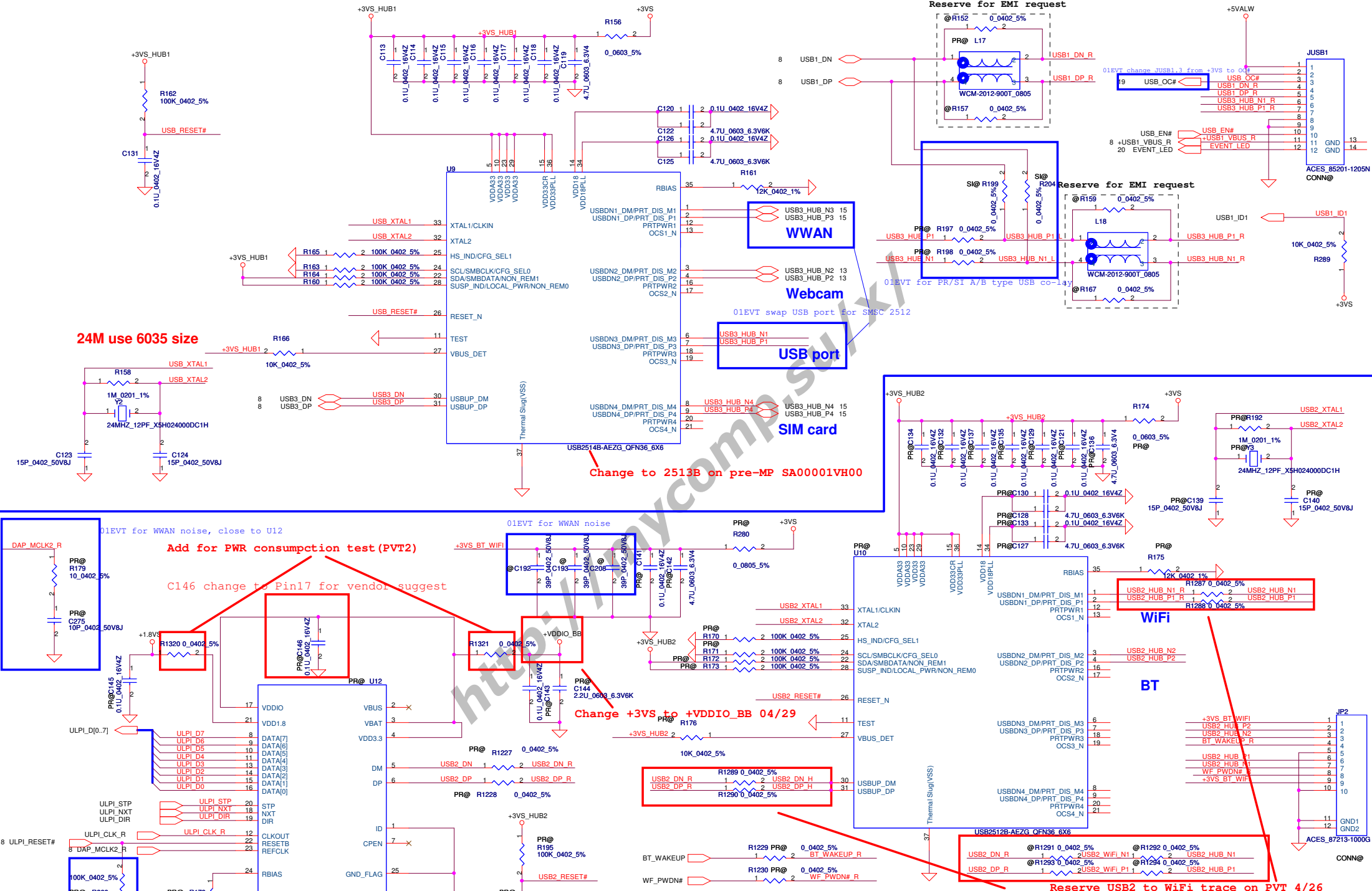
Mini-Express Card for WWAN



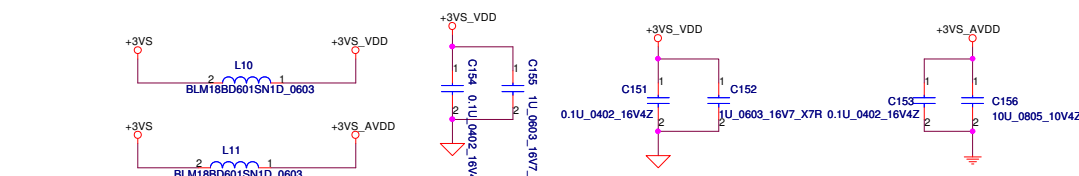
C189's PN is 0 ohm resistor (Pre-MP BOM)



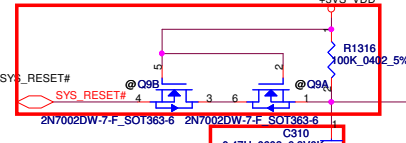
Security Classification	Compal Secret Data		Title	Compal Electronics, Inc.	
Issued Date	2008/12/22	Deciphered Date			2009/12/22
THIS SHEET OF ENGINEERING DRAWING IS THE PROPRIETARY PROPERTY OF COMPAL ELECTRONICS, INC. AND CONTAINS CONFIDENTIAL AND TRADE SECRET INFORMATION. THIS SHEET MAY NOT BE TRANSFERRED FROM THE CUSTODY OF THE COMPETENT DIVISION OF R&D DEPARTMENT EXCEPT AS AUTHORIZED BY COMPAL ELECTRONICS, INC. NEITHER THIS SHEET NOR THE INFORMATION IT CONTAINS MAY BE USED BY OR DISCLOSED TO ANY THIRD PARTY WITHOUT PRIOR WRITTEN CONSENT OF COMPAL ELECTRONICS, INC.				Document Number	Rev
				T20 schematic	0.1
				Date: Wednesday, July 21, 2010	Sheet 15 of 33



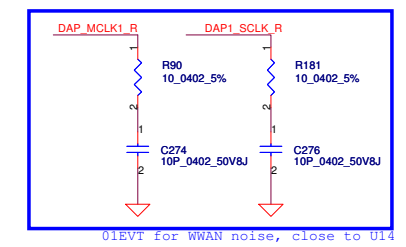
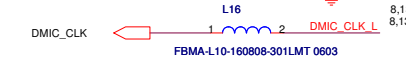
Security Classification	Compal Secret Data		Title	
Issued Date	2008/12/22	Deciphered Date	2009/12/22	Compal Electronics, Inc.
				HUB/USB POR
THIS SHEET OF ENGINEERING DRAWING IS THE PROPRIETARY PROPERTY OF COMPAL ELECTRONICS, INC. AND CONTAINS CONFIDENTIAL AND TRADE SECRET INFORMATION. THIS SHEET MAY NOT BE TRANSFERRED FROM THE CUSTODY OF THE COMPETENT DIVISION OF FACTORY DEPARTMENT EXCEPT AS AUTHORIZED BY COMPAL ELECTRONICS, INC. NEITHER THIS SHEET NOR THE INFORMATION IT CONTAINS MAY BE USED BY OR DISCLOSED TO ANY THIRD PARTY WITHOUT PRIOR WRITTEN CONSENT OF COMPAL ELECTRONICS, INC.				Document Number T20 schematic
				Rev 0.1
Date: Wednesday, July 21, 2010				Sheet 16 of 33



Remove Q9 , add C310 (0.47UF) audio "bo" noise when system trun off on battery mode. (Pre-MP 7/8)

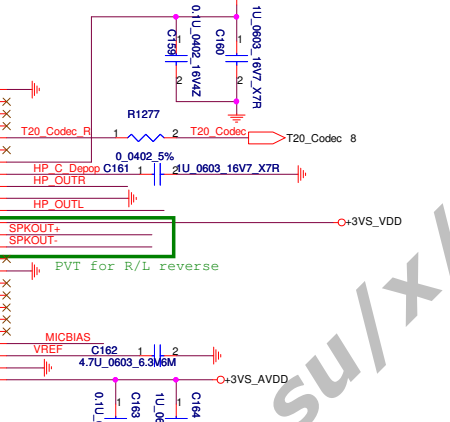
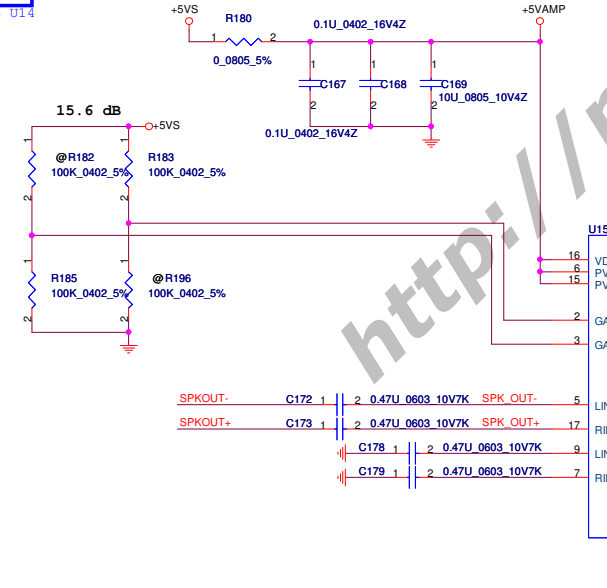


Change to 0.47UF for Bobo noise (Pre-MP)

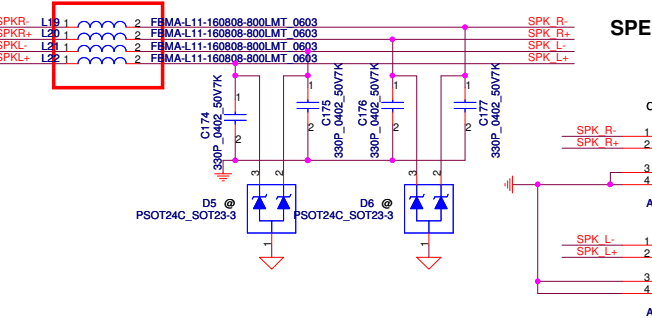
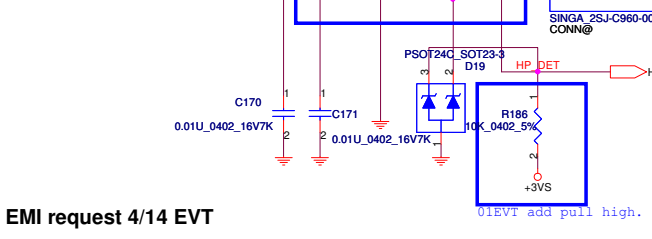
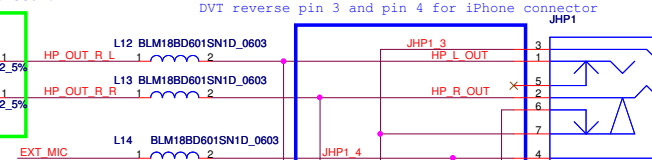
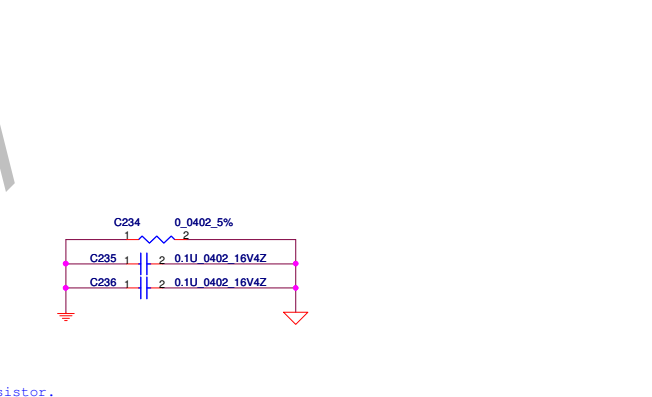
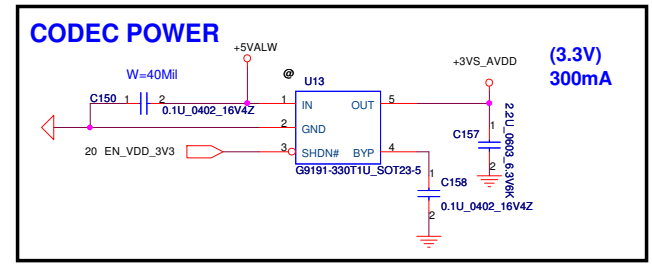


TI TPE6017A2

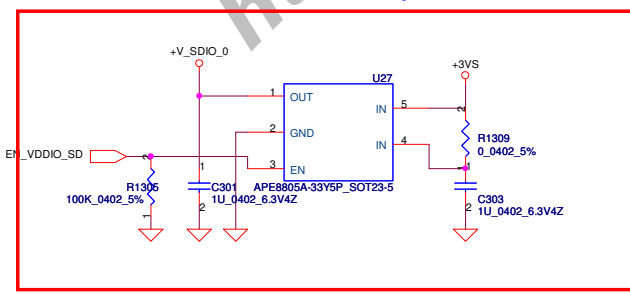
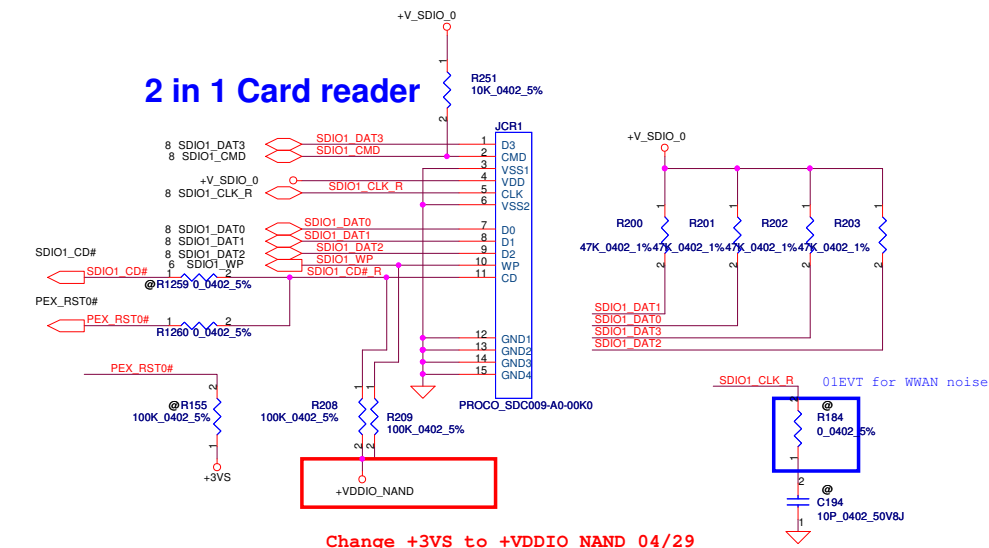
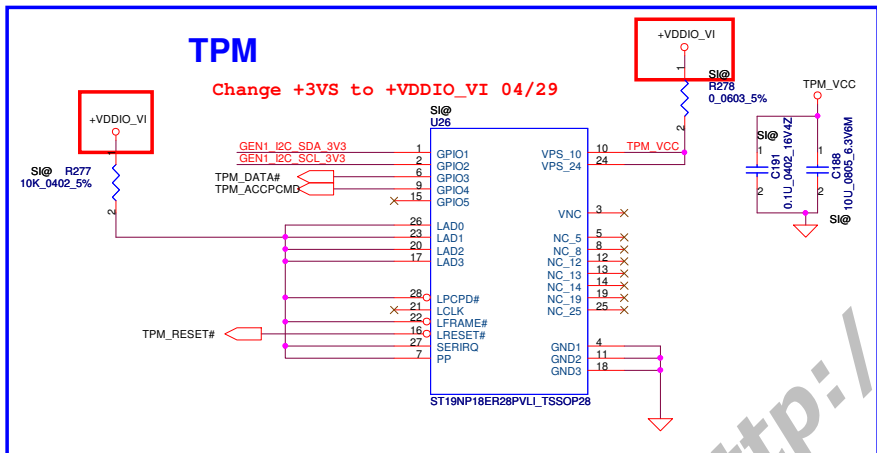
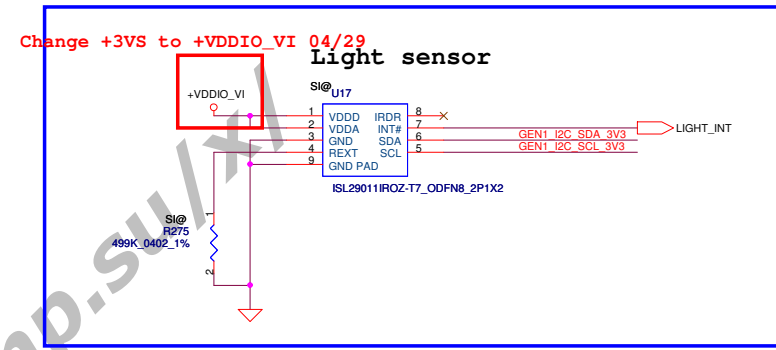
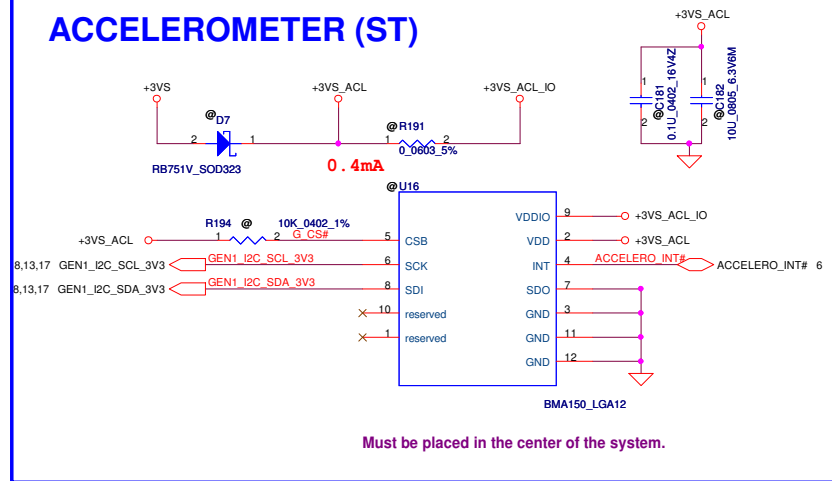
GAIN0	GAIN1	Av
0	0	6dB
0	1	10dB
1	0	15.6dB
1	1	21.6dB



Add R1276 for Microphone short current FVT 04/21

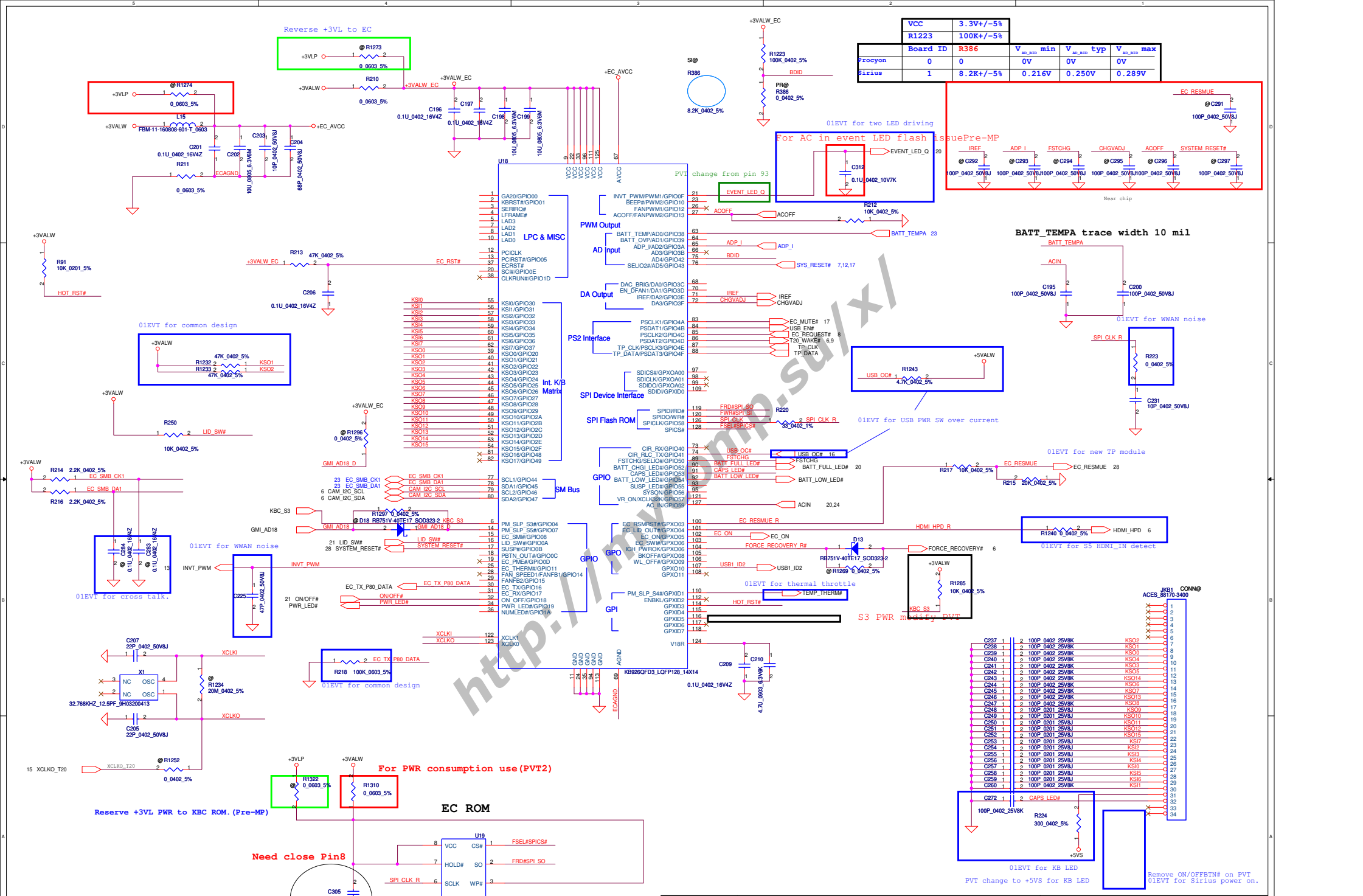


ACCELEROMETER (ST)

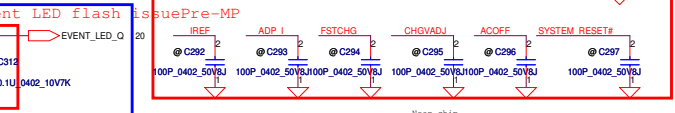


Use SOT23-5 footprint/CIS symbol for SA00003AR00 4/30

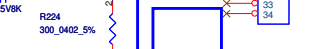
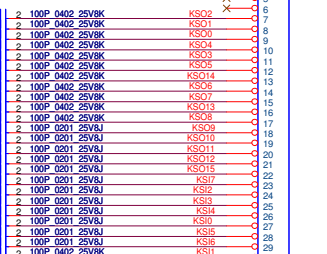
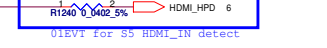
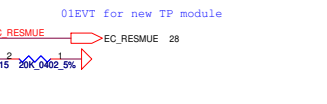
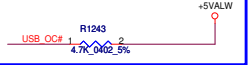
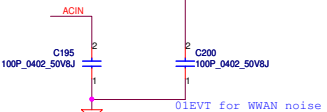
Security Classification	Compal Secret Data		Title	
Issued Date	2008/12/22	Deciphered Date	2009/12/22	Compal Electronics, Inc.
THIS SHEET OF ENGINEERING DRAWING IS THE PROPRIETARY PROPERTY OF COMPAL ELECTRONICS, INC. AND CONTAINS CONFIDENTIAL AND TRADE SECRET INFORMATION. THIS SHEET MAY NOT BE TRANSFERRED FROM THE CUSTODY OF THE COMPETENT DIVISION OF R&D DEPARTMENT EXCEPT AS AUTHORIZED BY COMPAL ELECTRONICS, INC. NEITHER THIS SHEET NOR THE INFORMATION IT CONTAINS MAY BE USED BY OR DISCLOSED TO ANY THIRD PARTY WITHOUT PRIOR WRITTEN CONSENT OF COMPAL ELECTRONICS, INC.				G SENSOR/BT/Light Sensor/CR Document Number T20 schematic
Date:	Wednesday, July 21, 2010	Sheet	18	of 33



VCC	3.3V +/- 5%
R1223	100K +/- 5%
Board ID	R386
Procyon	0
Sirius	1
V _{AD_MIN}	0V
V _{AD_TYP}	0V
V _{AD_MAX}	0V
V _{AD_MIN}	0.216V
V _{AD_TYP}	0.250V
V _{AD_MAX}	0.289V

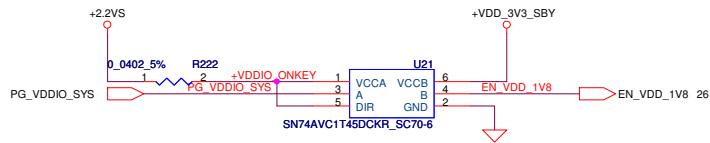


BATT_TEMP trace width 10 mil

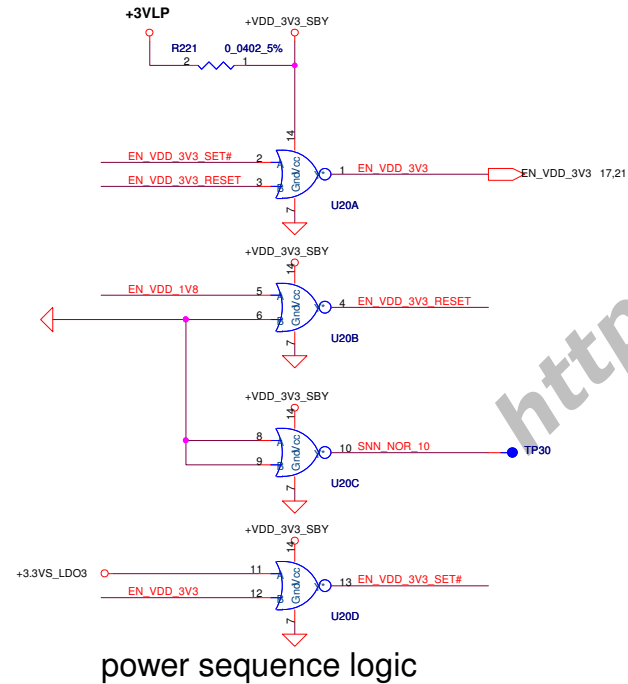
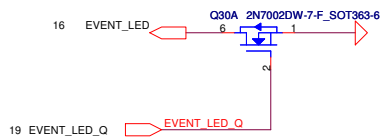


Remove ON/OFFBIN# on PWT
01EVT for Sirius power on.

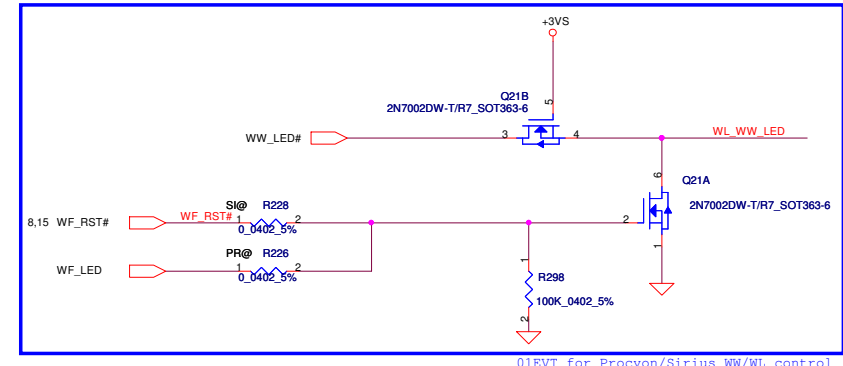
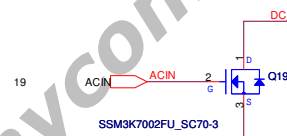
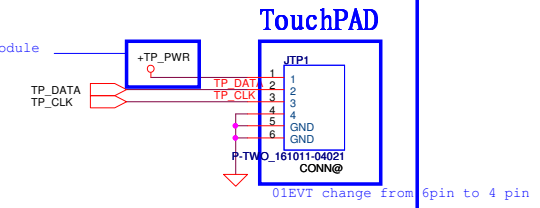
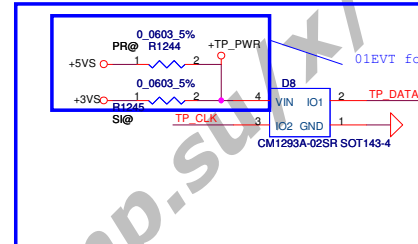
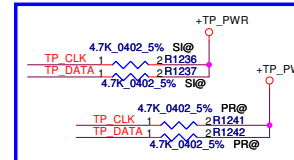
Security Classification	Compal Secret Data	Compal Electronics, Inc.	
Issued Date	2008/12/22	Deciphered Date	2009/12/22
This SHEET OF ENGINEERING DRAWING IS THE PROPRIETARY PROPERTY OF COMPAL ELECTRONICS, INC. AND CONTAINS CONFIDENTIAL AND TRADE SECRET INFORMATION. THIS SHEET MAY NOT BE TRANSFERRED FROM THE CUSTODY OF THE COMPETENT DIVISION OF R&D DEPARTMENT EXCEPT AS AUTHORIZED BY COMPAL ELECTRONICS, INC. NEITHER THIS SHEET NOR THE INFORMATION IT CONTAINS MAY BE USED BY OR DISCLOSED TO ANY THIRD PARTY WITHOUT PRIOR WRITTEN CONSENT OF COMPAL ELECTRONICS, INC.			
Title	ENE KB926/R0M		
Size	Document Number	T20 schematic	
Date:	Wednesday, July 21, 2010	Sheet	19 of 33



For 2.2V to 3.3V level shift

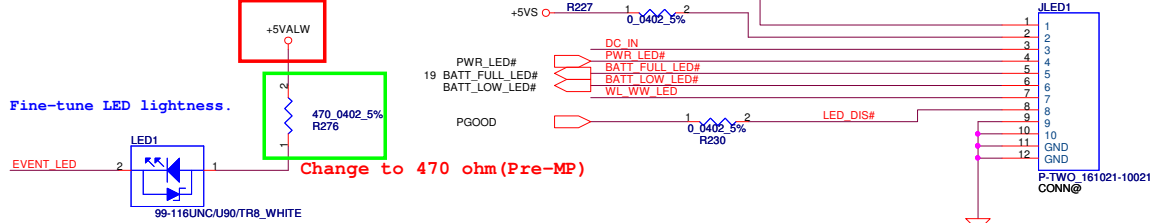


power sequence logic



01EVT for Procyon/Sirius WW/WL control

5Vs change to 5Valw for event LED function can't light on S3 issue.

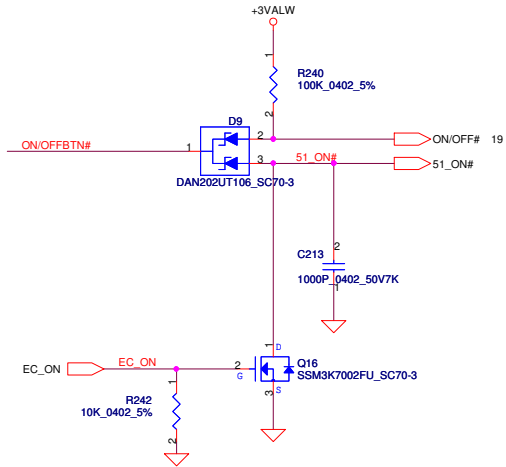


Fine-tune LED lightness.

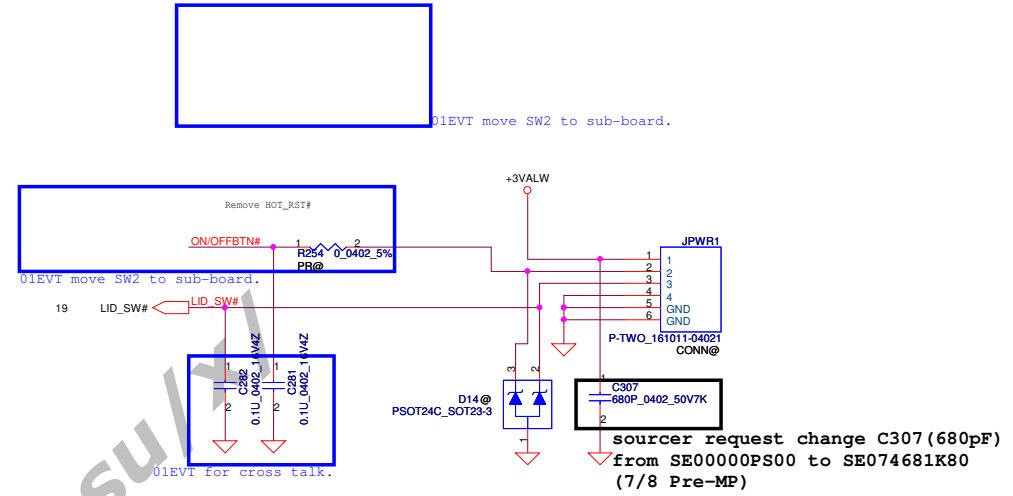
Change to 470 ohm (Pre-MP)

Security Classification	Compal Secret Data		Title	
Issued Date	2008/12/22	Deciphered Date	2009/12/22	Compal Electronics, Inc.
THIS SHEET OF ENGINEERING DRAWING IS THE PROPRIETARY PROPERTY OF COMPAL ELECTRONICS, INC. AND CONTAINS CONFIDENTIAL AND TRADE SECRET INFORMATION. THIS SHEET MAY NOT BE TRANSFERRED FROM THE CUSTODY OF THE COMPETENT DIVISION OF R&D DEPARTMENT EXCEPT AS AUTHORIZED BY COMPAL ELECTRONICS, INC. NEITHER THIS SHEET NOR THE INFORMATION IT CONTAINS MAY BE USED BY OR DISCLOSED TO ANY THIRD PARTY WITHOUT PRIOR WRITTEN CONSENT OF COMPAL ELECTRONICS, INC.				Document Number
				T20 schematic
Date: Wednesday, July 21, 2010				Rev 0.1
Sheet 20 of 33				

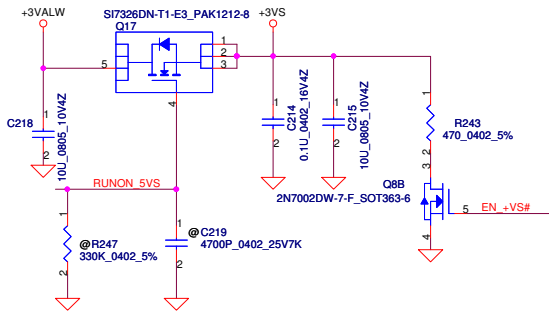
Power on circuit



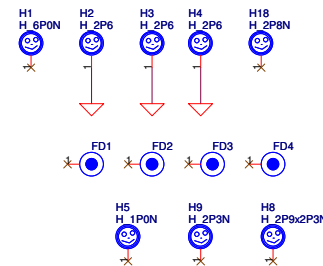
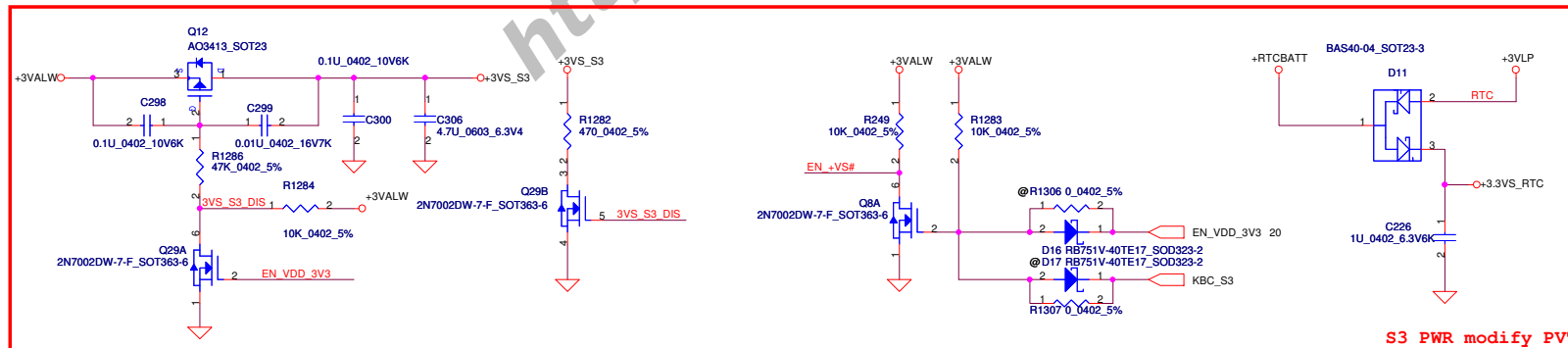
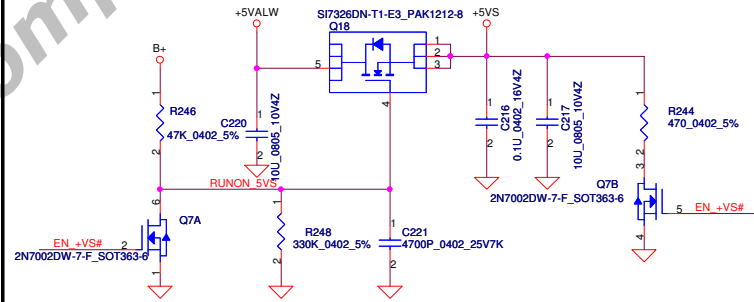
Platform reset



+3VALW to +3VS

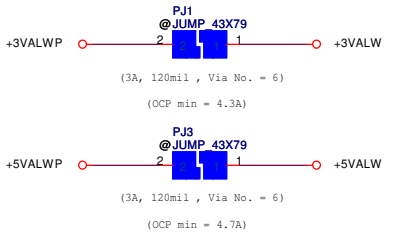
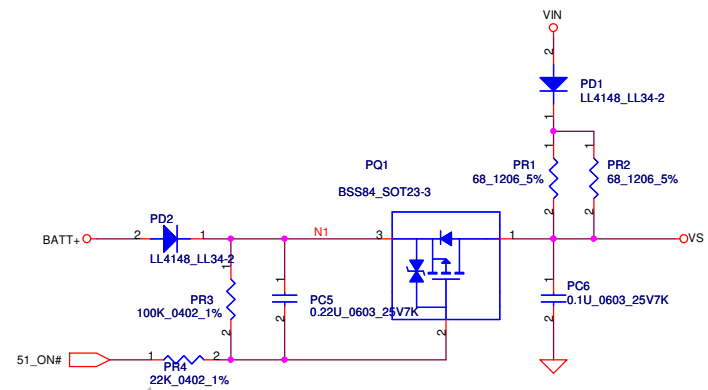
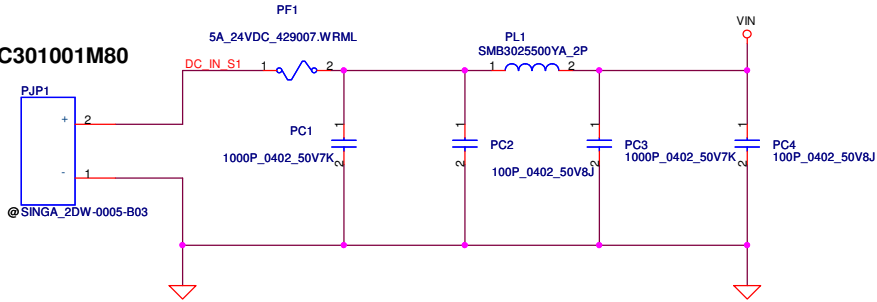


+5VALW to +5VS

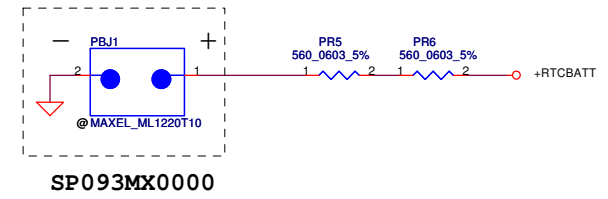


Security Classification	Compal Secret Data	Title	
Issued Date	2008/12/19	Deciphered Date	2009/12/15
THIS SHEET OF ENGINEERING DRAWING IS THE PROPRIETARY PROPERTY OF COMPAL ELECTRONICS, INC. AND CONTAINS CONFIDENTIAL AND TRADE SECRET INFORMATION. THIS SHEET MAY NOT BE TRANSFERRED FROM THE CUSTODY OF THE COMPETENT DIVISION OF THE DEPARTMENT EXCEPT AS AUTHORIZED BY COMPAL ELECTRONICS, INC. NEITHER THIS SHEET NOR THE INFORMATION IT CONTAINS MAY BE USED BY OR DISCLOSED TO ANY THIRD PARTY WITHOUT PRIOR WRITTEN CONSENT OF COMPAL ELECTRONICS, INC.			
Compal Electronics, Inc. DC/DC interface/LED T20 schematic			Rev 0.1 Date: Wednesday, July 21, 2010 Sheet 21 of 33

DC301001M80



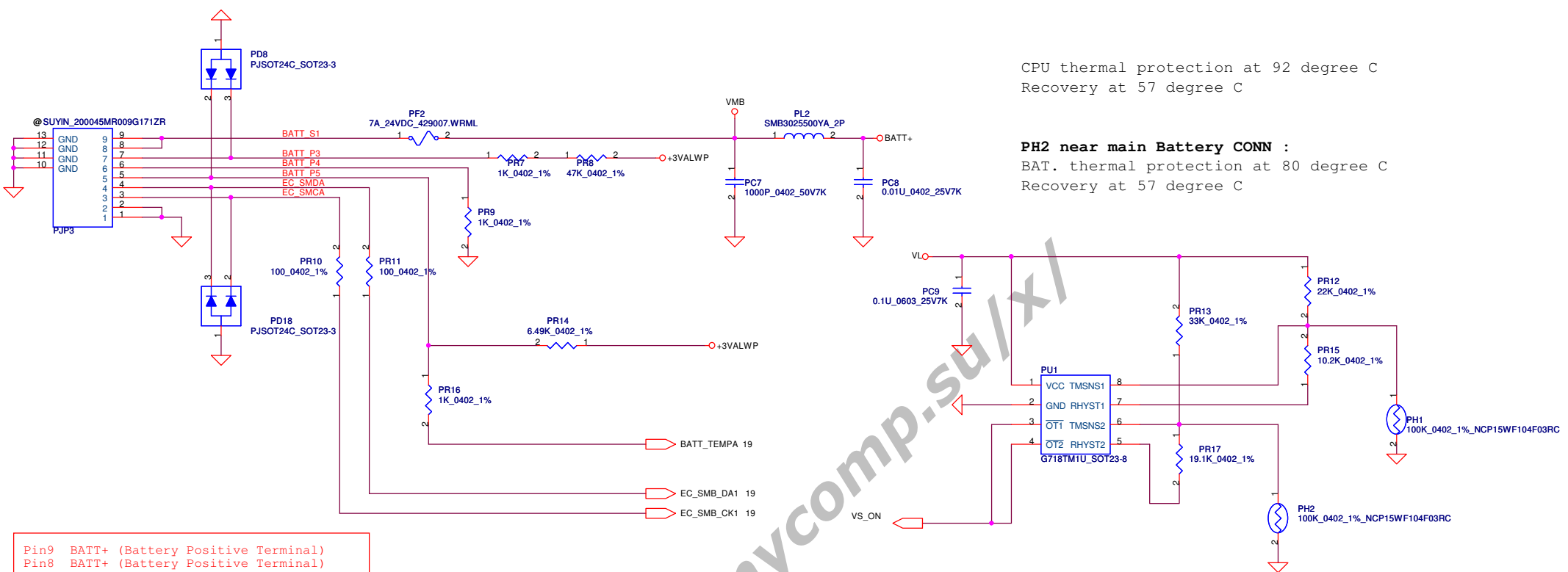
RTC Battery



SP093MX0000

<http://mycomp.su/x/>

Security Classification		Compal Secret Data		Compal Electronics, Inc.	
Issued Date	2005/10/17	Deciphered Date	2006/10/17	Title	
THIS SHEET OF ENGINEERING DRAWING IS THE PROPRIETARY PROPERTY OF COMPAL ELECTRONICS, INC. AND CONTAINS CONFIDENTIAL AND TRADE SECRET INFORMATION. THIS SHEET MAY NOT BE TRANSFERRED FROM THE CUSTODY OF THE COMPETENT DIVISION OF R&D DEPARTMENT EXCEPT AS AUTHORIZED BY COMPAL ELECTRONICS, INC. NEITHER THIS SHEET NOR THE INFORMATION IT CONTAINS MAY BE USED BY OR DISCLOSED TO ANY THIRD PARTY WITHOUT PRIOR WRITTEN CONSENT OF COMPAL ELECTRONICS, INC.				DCIN/DETECTOR	
Size	Document Number			Rev	0.1
Date	Wednesday, July 21, 2010			Sheet	22 of 33



PH1 under CPU botten side :

CPU thermal protection at 92 degree C
Recovery at 57 degree C

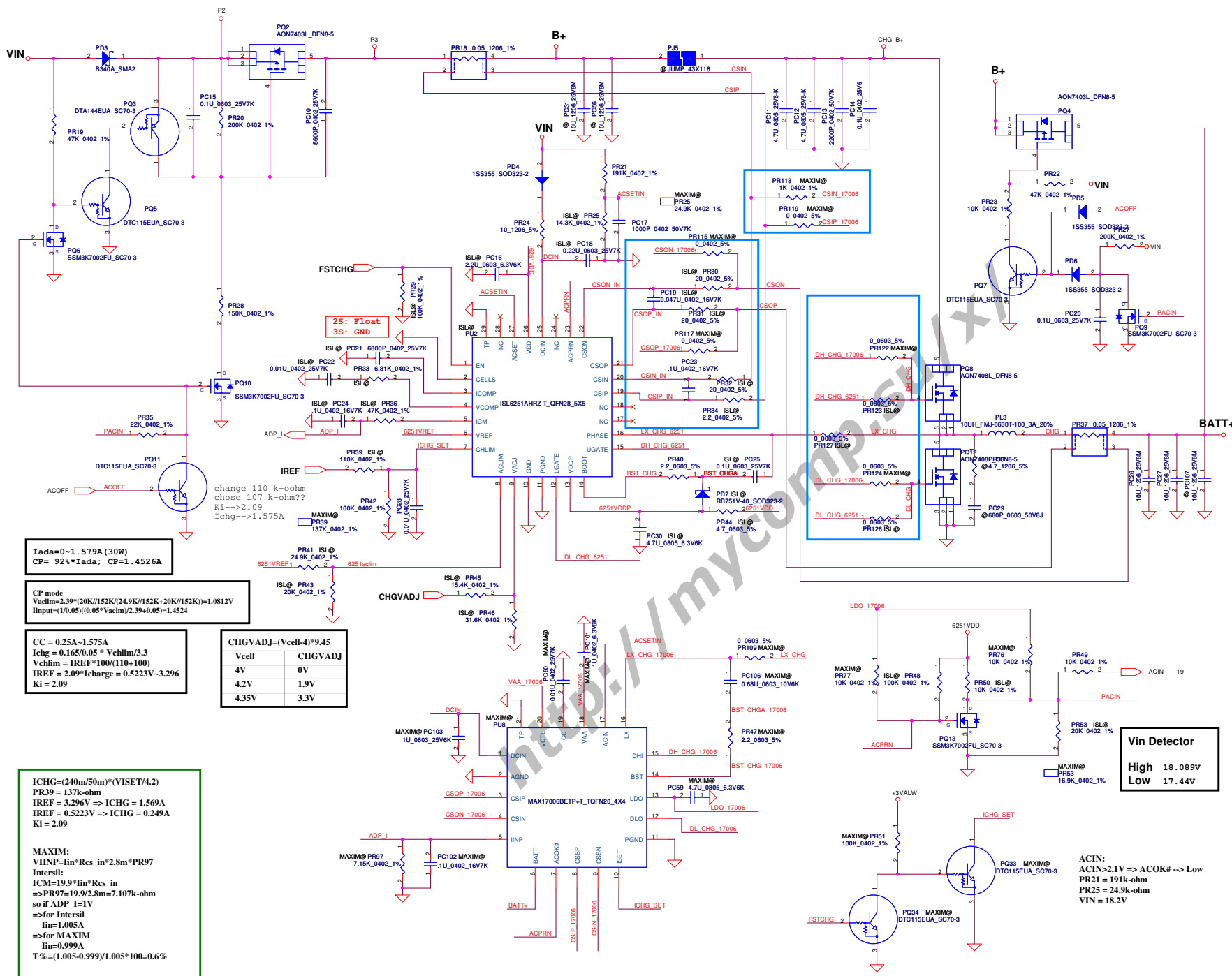
PH2 near main Battery CONN :

BAT. thermal protection at 80 degree C
Recovery at 57 degree C

- Pin9 BATT+ (Battery Positive Terminal)
- Pin8 BATT+ (Battery Positive Terminal)
- Pin7 ID (Identify Pin)
- Pin6 B/I (Battery-In Pin)
- Pin5 TS (Connect to thermister)
- Pin4 SMD (SMBus data interface I/O pin)
- Pin3 SMC (SMBus clock interface I/O pin)
- Pin2 GND (Battery Negative Terminal)
- Pin1 GND (Battery Negative Terminal)

<http://mycomp.su/xl>

Security Classification		Compal Secret Data		Compal Electronics, Inc.	
Issued Date	2005/10/17	Deciphered Date	2006/10/17	Title	
THIS SHEET OF ENGINEERING DRAWING IS THE PROPRIETARY PROPERTY OF COMPAL ELECTRONICS, INC. AND CONTAINS CONFIDENTIAL AND TRADE SECRET INFORMATION. THIS SHEET MAY NOT BE TRANSFERRED FROM THE CUSTODY OF THE COMPETENT DIVISION OF R&D DEPARTMENT EXCEPT AS AUTHORIZED BY COMPAL ELECTRONICS, INC. NEITHER THIS SHEET NOR THE INFORMATION IT CONTAINS MAY BE USED BY OR DISCLOSED TO ANY THIRD PARTY WITHOUT PRIOR WRITTEN CONSENT OF COMPAL ELECTRONICS, INC.				BATTERY CONN.	
Size	Document Number	T20 schematic		Rev	0.1
Custom	Date	Wednesday, July 21, 2010	Sheet	23	of 33



I_{ada}=0~1.579A (30W)
 CP= 92%*I_{ada}; CP=1.4526A

CP mode
 V_{acim}=2.39*(20K/152K)/(24.9K/152K+20K/152K)=1.0812V
 Input=(1/0.05)*(0.05*V_{acim})/2.39+0.05=1.4524

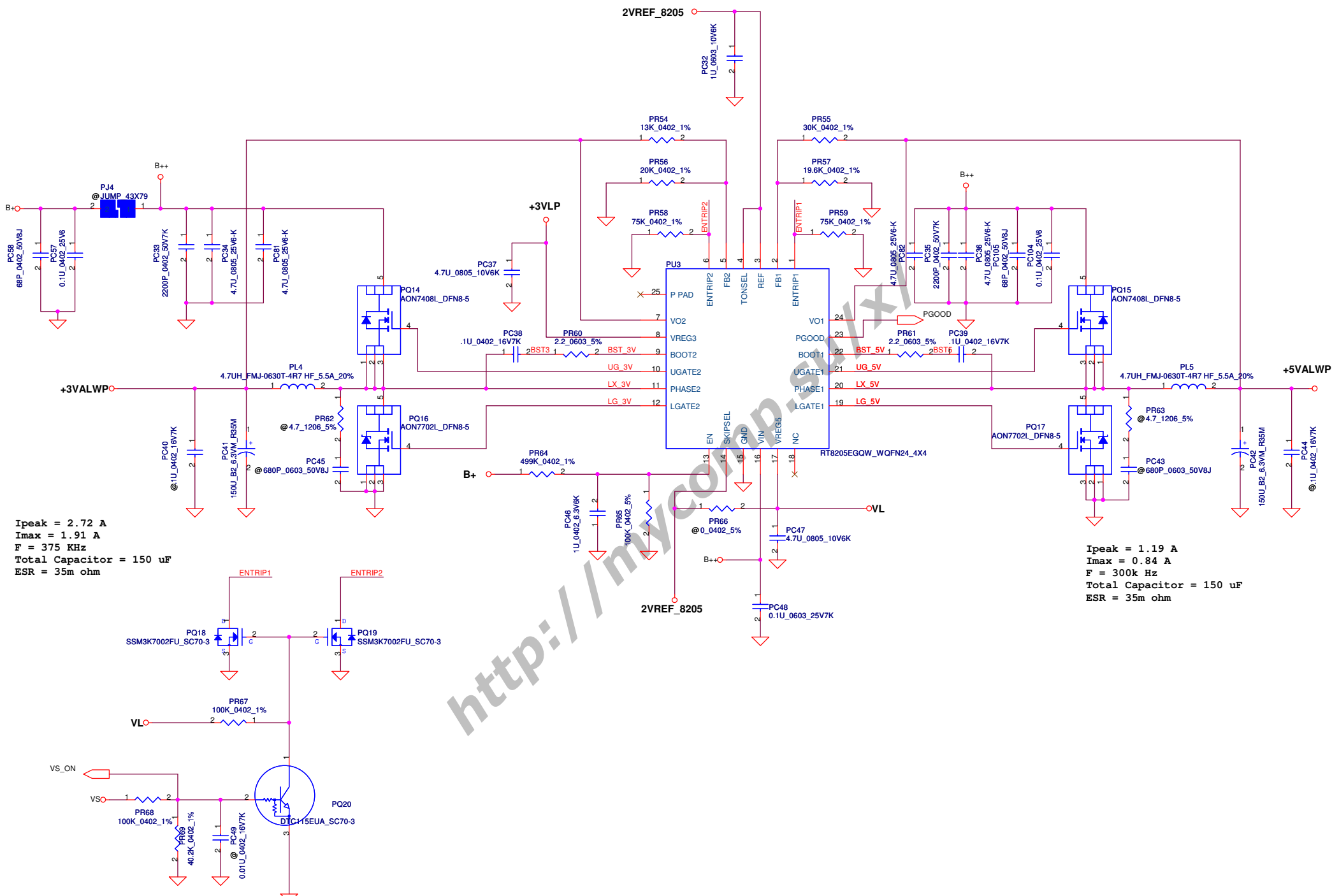
CC = 0.25A~1.575A
 I_{chg} = 0.165/0.05 * V_{chlim}/3.3
 V_{chlim} = IREF*100/(110+100)
 IREF = 2.09*I_{charge} = 0.5223V~3.296
 K_i = 2.09

V _{cell}	CHGVADJ
4V	0V
4.2V	1.9V
4.35V	3.3V

I_{CHG}=(240m/50m)*(V_{ISET}/4.2)
 PR39 = 137k-ohm
 IREF = 3.296V => I_{CHG} = 1.569A
 IREF = 0.5223V => I_{CHG} = 0.249A
 K_i = 2.09

MAXIM:
 V_{INP}=lin*Res_{in}*2.8m*PR97
 Intersil:
 I_{CM}=19.9*lin*Res_{in}
 =>PR97=19.9/2.8m=7.107k-ohm
 so if ADP_I=1V
 =>for Intersil
 lin=1.005A
 =>for MAXIM
 lin=0.999A
 T%=(1.005-0.999)/1.005*100=0.6%

Vin Detector
 High 18.089V
 Low 17.44V



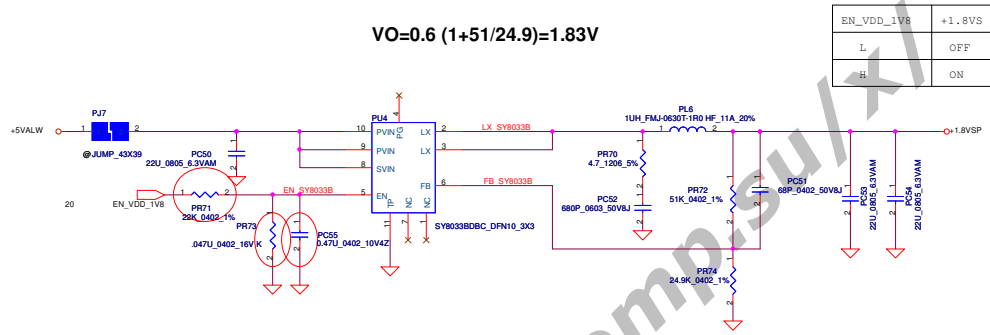
Ipeak = 2.72 A
 Imax = 1.91 A
 F = 375 KHz
 Total Capacitor = 150 uF
 ESR = 35m ohm

Ipeak = 1.19 A
 Imax = 0.84 A
 F = 300k Hz
 Total Capacitor = 150 uF
 ESR = 35m ohm

<http://mycompal.com>

Security Classification		Compal Secret Data		Compal Electronics, Inc.	
Issued Date	2008/12/19	Deciphered Date	2009/12/15	Title	
THIS SHEET OF ENGINEERING DRAWING IS THE PROPRIETARY PROPERTY OF COMPAL ELECTRONICS, INC. AND CONTAINS CONFIDENTIAL AND TRADE SECRET INFORMATION. THIS SHEET MAY NOT BE TRANSFERRED FROM THE CUSTODY OF THE COMPETENT DIVISION OF R&D DEPARTMENT EXCEPT AS AUTHORIZED BY COMPAL ELECTRONICS, INC. NEITHER THIS SHEET NOR THE INFORMATION IT CONTAINS MAY BE USED BY OR DISCLOSED TO ANY THIRD PARTY WITHOUT PRIOR WRITTEN CONSENT OF COMPAL ELECTRONICS, INC.				3VALW MBP/5VALWP	
Size	Document Number	Date		Rev	
Custom	T20 schematic	Wednesday, July 21, 2010		0.1	
				Sheet 25 of 33	

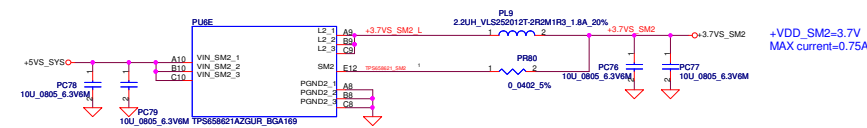
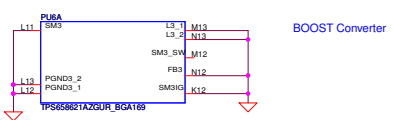
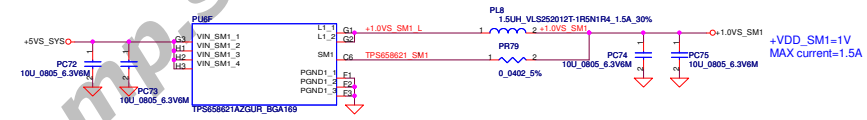
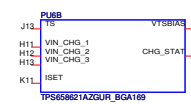
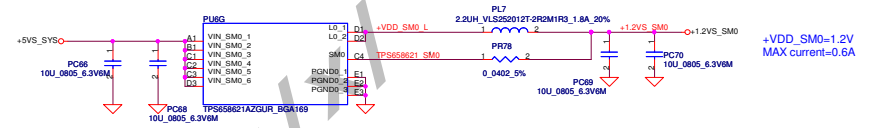
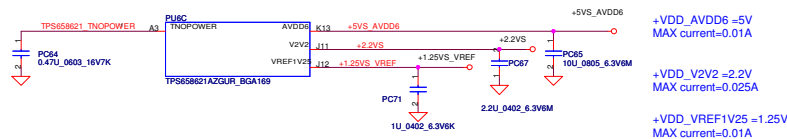
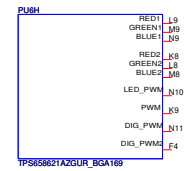
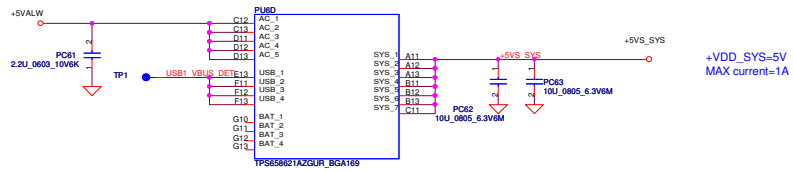
$$VO=0.6(1+51/24.9)=1.83V$$



EN_VDD_1V8	+1.8V8
L	OFF
H	ON

http://mycompal.com

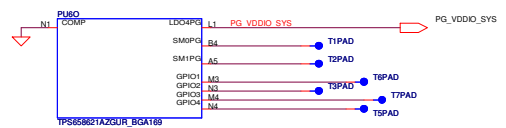
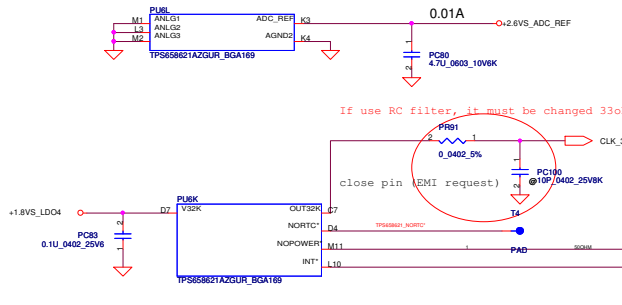
Security Classification	Compal Secret Data		Compal Electronics, Inc.	
Issued Date	2008/12/19	Deciphered Date	2009/12/15	Title
THIS SHEET OF ENGINEERING DRAWING IS THE PROPRIETARY PROPERTY OF COMPAL ELECTRONICS, INC. AND CONTAINS CONFIDENTIAL AND TRADE SECRET INFORMATION. THIS SHEET MAY NOT BE TRANSFERRED FROM THE CUSTODY OF THE COMPETENT DIVISION OF R&D DEPARTMENT EXCEPT AS AUTHORIZED BY COMPAL ELECTRONICS, INC. NEITHER THIS SHEET NOR THE INFORMATION IT CONTAINS MAY BE USED BY OR DISCLOSED TO ANY THIRD PARTY WITHOUT PRIOR WRITTEN CONSENT OF COMPAL ELECTRONICS, INC.				Document Number +1.8V8 T20 schematic Date: Wednesday, July 21, 2010
Rev	0.1	Sheet	28	of 33



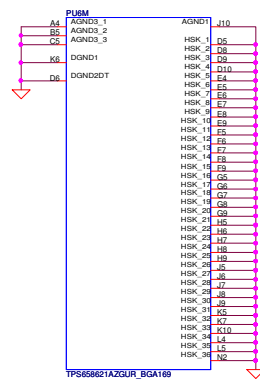
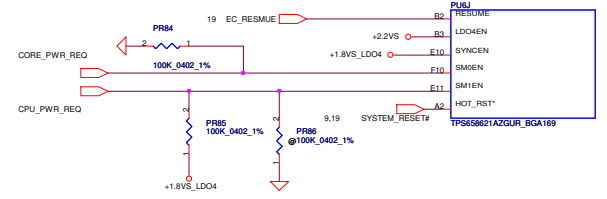
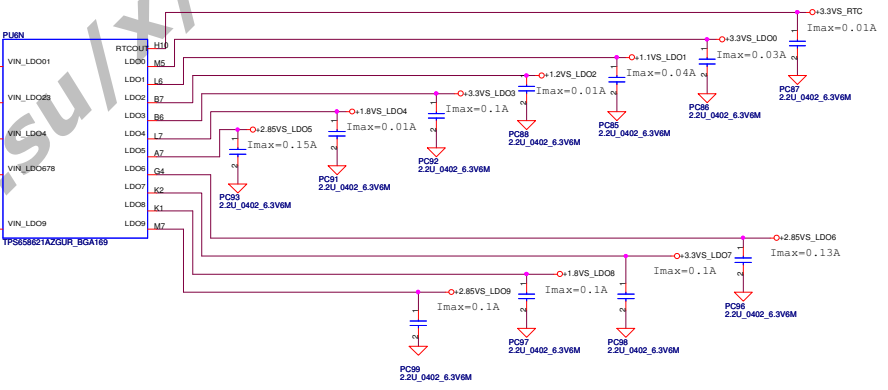
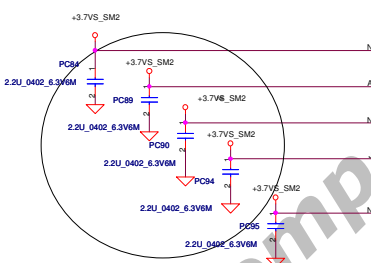
PMU #1

<http://mycompal.com>

Security Classification	Compal Secret Data		Compal Electronics, Inc.	
Issued Date	2008/12/19	Deciphered Date	2009/12/15	Title
THIS SHEET OF ENGINEERING DRAWING IS THE PROPRIETARY PROPERTY OF COMPAL ELECTRONICS, INC. AND CONTAINS CONFIDENTIAL AND TRADE SECRET INFORMATION. THIS SHEET MAY NOT BE TRANSFERRED FROM THE CUSTODY OF THE COMPETENT DIVISION OF COMPAL ELECTRONICS, INC. DEPARTMENT EXCEPT AS AUTHORIZED BY COMPAL ELECTRONICS, INC. NEITHER THIS SHEET NOR THE INFORMATION IT CONTAINS MAY BE USED BY OR DISCLOSED TO ANY THIRD PARTY WITHOUT PRIOR WRITTEN CONSENT OF COMPAL ELECTRONICS, INC.				PMU#1 T20 schematic
Date	Wednesday, July 21, 2010	Sheet	27	of 33



LAYOUT元件擺IC出PIN



PMU #2

Security Classification	Compal Secret Data		Compal Electronics, Inc.	
Issued Date	2008/12/19	Deciphered Date	2009/12/15	Title
THIS SHEET OF ENGINEERING DRAWING IS THE PROPRIETARY PROPERTY OF COMPAL ELECTRONICS, INC. AND CONTAINS CONFIDENTIAL AND TRADE SECRET INFORMATION. THIS SHEET MAY NOT BE TRANSFERRED FROM THE CUSTODY OF THE COMPETENT DIVISION OF R&D DEPARTMENT EXCEPT AS AUTHORIZED BY COMPAL ELECTRONICS, INC. NEITHER THIS SHEET NOR THE INFORMATION IT CONTAINS MAY BE USED BY OR DISCLOSED TO ANY THIRD PARTY WITHOUT PRIOR WRITTEN CONSENT OF COMPAL ELECTRONICS, INC.				PMU#2 T20 schematic Date: Wednesday, July 21, 2010 13:27 29 of 33

Version change list (P.I.R. List)

Item	Fixed Issue	Reason for change	Rev.	PG#	Modify List	Date	Phase
1		Change smaller MOS	0.1	24	change PQ2 PQ4 from AO4435 to AON7403	3/28	DVT
2		EMI request	0.1	24,25	change PR40 PR47 R60 PR61 ot 2.2 ohm	3/28	DVT
3		Design change	0.1	25	change PR58 PR59 from 120K ot 75K	3/28	DVT
4		Modify clock precision	0.1	28	change PC81 and PC82 from 22P to 15P	4/7	DVT
5		Remove them to HW circuit	0.2	28	delete PC81,PC82 and Y1	4/20	PVT
6		Design change	0.2	26	change PR72 from 127K to 51K	4/20	PVT
7		Design change	0.2	26	change PR74 from 61.9K to 24.9K	4/20	PVT
8		Design change	0.2	26	change PC51 from 22P to 68P	4/20	PVT
9		Design change	0.2	28	change PR91 from 33 to 0 ohm	4/20	PVT
10		ME height limit	0.2	25	change 10U 1206 to 4.7U 0805 X2	4/20	PVT
11		Thermal request	0.2	23	change PR12 to 22K, PR13 to 33K	4/29	PVT
12		Thermal request	0.2	23	change PR15 to 10.2K, PR17 to 19.1K	4/29	PVT
13		Modify power sequence	0.3	26	change PR71 to 22KK PC55 to 0.47U, PR73 to 0.47U	6/15	PreMP
14							
15							
16							
17							
18							
19							
20							
21							
22							
23							

<http://mycomp.seu/xl>

Item	Fixed Issue (Reason for change)	PAGE	Modify List	Date	Phase
1	recovery button	4	add R1238, remove R253, D15	2010/03/15	01EVT
2	T20 GPIO	6	modify SDIO GPIO.	2010/03/15	01EVT
3	T20/ KBC debug	7	modify JP1 pin define	2010/03/15	01EVT
4	new US1 WIFI/BT module	13	modify JMIN11 pin define	2010/03/15	01EVT
5	USB power switch over current detect pin	14, 17 28	modify JUSB1.3 from +3VS to USB_OC#	2010/03/15	01EVT
6	Sirius Spec.	28	add WINBOND KBC	2010/03/15	01EVT
7	EC common design	17	add KS01/KS02 pull high, debug TX pull down, TP CLK/DAT pull high.	2010/03/15	01EVT
8	for S5 HDMI_IN detect	17, 28	add HDMI_HPD	2010/03/15	01EVT
9	TP new module	17, 18	reserve both +5V and +3V for TP_PWR, change JTP1 from 6 pin to 4 pin.	2010/03/15	01EVT
10	SMSC 2514 to 2512	14	swap USB port for cost.	2010/03/15	01EVT
11	T20 CardReader power enable pin reverse	16	add F1, change Q15 to Q22 and pull low.	2010/03/15	01EVT
12	WWAN noise prevention	5, 6, 7, 11, 13, 14, 16, 17	add C39-C42, R90, R179, R181, C101-103, C107, C108, C147-C149, C183-C187, C192, C193, C208, R184, C225, R223, C274-C276	2010/03/15	01EVT
13	DDR change from x16 to x8	5, 8, 9	four 64x16 change to four 128x8.	2010/03/16	01EVT
14	two EVENT_LED driving current	16, 19, 20 21	add Q23	2010/03/16	01EVT
15	WWAN noise prevention	13	add C263-C271	2010/03/16	01EVT
16	HP_DET pull high	17	add R186	2010/03/19	01EVT
17	WW/WL LED control	21	add Q21, R226, R268, R298	2010/03/19	01EVT
18	Keyboard LED	19, 20	add C272, R224	2010/03/19	01EVT
19	Thermal shutdown pin	7, 19, 20	add TEMP_THERN#	2010/03/19	01EVT
20	0201 change to 0402.	all	capacitor x27, resistor x27	2010/03/19	01EVT
21	Thermal sensor I2C level shift MOS can't turn on	7	change to low voltage MOSFET Q20/ Q25	2010/03/19	01EVT
22	move SW2 to sub-board	19, 22	remove SW2, add R254, R255	2010/03/19	01EVT
23	PR/SI A/B type USB co-lay	16	add R197-199, R204	2010/03/19	01EVT
24	EMI request	8	add R206, C277, C278, R207	2010/03/19	01EVT
25	Nvidia request	16	add R299	2010/03/19	01EVT
26	SW1 pin 1 floating.	6	remove pull high.	2010/03/24	01EVT
27	cross talk	19, 22	add C281, C282, C283, C284	2010/03/24	01EVT
28	AUDIO connector two types	17	follow iPhone pin define.	2010/03/24	01EVT

Security Classification	Compal Secret Data		Title		Compal Electronics, Inc.	
Issued Date	2009/08/28	Deciphered Date	2010/08/28	PIR		Document Number
THIS SHEET OF ENGINEERING DRAWING IS THE PROPRIETARY PROPERTY OF COMPAL ELECTRONICS, INC. AND CONTAINS CONFIDENTIAL AND TRADE SECRET INFORMATION. THIS SHEET MAY NOT BE TRANSFERRED FROM THE CUSTODY OF THE COMPETENT DIVISION OF PRODUCT DEVELOPMENT DEPARTMENT EXCEPT AS AUTHORIZED BY COMPAL ELECTRONICS, INC. NEITHER THIS SHEET NOR THE INFORMATION IT CONTAINS MAY BE USED BY OR DISCLOSED TO ANY THIRD PARTY WITHOUT PRIOR WRITTEN CONSENT OF COMPAL ELECTRONICS, INC.				LA-5952P		Rev 0.1
				Date:	Wednesday, July 21, 2010	Sheet 30 of 33

Item	Fixed Issue (Reason for change)	PAGE	Modify List	Date	Phase
29	USB power soft start	8	add R79, R229, C279, C280	2010/04/12	PVT
30	Speaker R/L reserve	17	swap U14.36 and 37	2010/04/12	PVT
31	EVENT_LED control by PWM signal	19	change from pin 93 to pin 21	2010/04/12	PVT
32	Y1 change to 9B03200413	7	Y1 change to 9B03200414 by sharing	2010/04/14	PVT
33	Card reader PWR issue	18	+V_SDIO_0 Enable circuit follow PAZ02	2010/04/14	PVT
34	HP issue	17	DVT reserve pin 3 and pin 4 for iPhone connector	2010/04/14	PVT
35	EMI request	17	Change R187, R188, R189, R190 to L	2010/04/14	PVT
36	eMMC trace 3.5mil issue	12	Connector to NC pin for 3.5 mil trace issue	2010/04/15	PVT
37	Follow Sirius design (WF_RST#)	8	Change WF_RST# form U1.R25 to U1.T4	2010/04/15	PVT
38	EMI request	6	Add 33 ohm on LCD_PCLK.	2010/04/15	PVT
39	ME request	9	Change connector form ACES-87213 to ACES_87036 by ME 4/16, remove 5VS & 1.8VS	2010/04/16	PVT
40	USB_ID folating issue	8	USB1_ID folating need add 100K pull-low	2010/04/16	PVT
41	Q4 Update	14	DVT reserve for MOS	2010/04/16	PVT
42	U21 Update	21	For 2.2V to 3.3V level shift	2010/04/16	PVT
43	R219 no need	19	Bypass R219	2010/04/16	PVT
44	SD-Card detect issue	18	Use PEX_RST0# to replace SD101_CD#, reserve SD101_CD#	2010/04/16	PVT
45	Vendor Suggest	16	C146 change to USB3315 Pin17 for vendor suggest(SMSC)	2010/04/16	PVT
46	SMT Suggest	18	Change R/ C 0201 to 0402	2010/04/16	PVT
47	SMT Suggest	6	Change resister 0201 to 0402	2010/04/16	PVT
48	KBC LED issue	19	Change LED PER form +3VS to +5VS	2010/04/16	PVT
49	WiFi / BT module issue	15	Exchange DAP4_DIN & DAP4_DOUT	2010/04/16	PVT
50	WiFi LED contorl issue	8 20	Use GPIO (T20 SD103_DATA5) to control it.	2010/04/16	PVT
51	HDMI connector issue	19	Change DC232000M00 to DC232000000 for HDMI ME issue	2010/04/16	PVT
52	change +3Vs enable pin to +5Vs	21	Change Q12 to Q8A	2010/04/17	PVT
53	BK_OFF soft start	13	Add R1261 & C289	2010/04/17	PVT
54	USB leakage issue	8	Uninstall R63 ,add R1262 and checge Voltage to +5Vs for USB leakage issue	2010/04/19	PVT
55	NVIDIA suggest	15	BT_WAKEUP pull low 100K.	2010/04/19	PVT
56	Key board ON/OFFBTN batton on need	19	remove ON/OFFBTN Pin on JKB1 site	2010/04/19	PVT

Security Classification		Compal Secret Data		Title	
Issued Date	2009/08/28	Deciphered Date	2010/08/28	Compal Electronics, Inc.	
THIS SHEET OF ENGINEERING DRAWING IS THE PROPRIETARY PROPERTY OF COMPAL ELECTRONICS, INC. AND CONTAINS CONFIDENTIAL AND TRADE SECRET INFORMATION. THIS SHEET MAY NOT BE TRANSFERRED FROM THE CUSTODY OF THE COMPETENT DIVISION OF PRODUCT DEVELOPMENT DEPARTMENT EXCEPT AS AUTHORIZED BY COMPAL ELECTRONICS, INC. NEITHER THIS SHEET NOR THE INFORMATION IT CONTAINS MAY BE USED BY OR DISCLOSED TO ANY THIRD PARTY WITHOUT PRIOR WRITTEN CONSENT OF COMPAL ELECTRONICS, INC.				Document Number	Rev
				LA-5952P	0.1
Date: Wednesday, July 21, 2010				Sheet	31 of 33

Item	Fixed Issue (Reason for change)	PAGE	Modify List	Date	Phase
57	NVIDIA suggest	18 13	NV review result(EM_VDD10_SD add pull down R1266, GP10_PU3 add pull down R1265 100K ohm	2010/04/19	PVT
58	WIFI /BT vendor suggest	15	Swap DAP4_DIN and DAP4_DOUT UART3_TXD and UART3_RXD	2010/04/19	PVT
59	D13	19	D13 reserve resister	2010/04/19	PVT
60	NVIDIA suggest	14	C290 reserve for EMI	2010/04/19	PVT
61	Crosstalk can't move	19	Add C after crosstalk trace	2010/04/20	PVT
62	WIFI /BT vendor suggest	15	exchange RTS / CTS for Wifi vendor suggest	2010/04/20	PVT
63	NVIDIA suggest	06	Reverse T20.T25 to EM_VDD_PNL , T20.V25 to LVDS_SHTDN#	2010/04/20	PVT
64	EC PWR	19	Reserve 3VL for EC	2010/04/20	PVT
65	Microphone short current	17	MICBIAS add R1276 3.9K Microphone short current	2010/04/21	PVT
66	Codec status pin	8 17	Add T20.R25 to codec T20_codec (R1277)	2010/04/21	PVT
67	S3 PWR modify PVT	6 8 21	S3 PWR modify PVT	2010/04/21	PVT
68	NVIDIA debug Pin	20	Add SYSTEM_RESET# to JP1 for NVIDIA debug	2010/04/22	PVT
69	Reserve HSB2 to WiFi only trace	16	Reserve HSB2 to WiFi only trace	2010/04/26	PVT
70	NVIDIA suggest	19	Add D18 - reserve R1295 - R1296 - R1297.	2010/04/27	PVT
71	NVIDIA suggest	14	Change PWR for S3	2010/04/29	PVT
72	SD PWR change	16	SD PWR LDO change to SA00003AR00	2010/04/30	PVT
73	EMI suggest	14	Add R between HDMI CLK & Date.	2010/04/30	PVT
74	Thermal status on S3	7	Tharmal TEMP_THERM# Pull to +3Valw	2010/05/03	PVT
75	Add PWR to JP1 for debug	9	Add PWR to JP1 for debug	2010/05/03	PVT
76	HDMI & LVDS have same I2C address.	13	Change LVDS I2C form DDC channel to GEN1 channel	2010/05/04	PVT
77	WiFi PWR.	14	Change SD10 PWR to +3VS_S3	2010/05/04	PVT
78	ME LED issue	20	Change LED to SC500005000	2010/05/05	PVT
79	EMI issue	21	Add 680P on JPWR1 for EMI issue	2010/05/05	PVT
80	Cost down	19	KBC_S3 change to KBC Pin6 (OC) for cost plan.	2010/05/06	PVT
81	NV suggest	09	C53 change to 100K (SD028100380) , remove R93	2010/05/26	PVT
82	EVENT_LED issue	20	EVENT_LED change PWR form +5Vs to +5Valw,R276 change to 100 ohm for EVENT_LED can't light on S3 issue.	2010/05/26	PVT
83	ESD suggest	17	Add Diode on Audio jack Pin 4 for ESD issue	2010/05/26	PVT
84	Camera short to B+ issue	22	Change JLVDS Pin24 to NC	2010/05/26	PVT

Security Classification	Compal Secret Data		Title	
Issued Date	2009/08/28	Deciphered Date	2010/08/28	Compal Electronics, Inc.
THIS SHEET OF ENGINEERING DRAWING IS THE PROPRIETARY PROPERTY OF COMPAL ELECTRONICS, INC. AND CONTAINS CONFIDENTIAL AND TRADE SECRET INFORMATION. THIS SHEET MAY NOT BE TRANSFERRED FROM THE CUSTODY OF THE COMPETENT DIVISION OF R&D DEPARTMENT EXCEPT AS AUTHORIZED BY COMPAL ELECTRONICS, INC. NEITHER THIS SHEET NOR THE INFORMATION IT CONTAINS MAY BE USED BY OR DISCLOSED TO ANY THIRD PARTY WITHOUT PRIOR WRITTEN CONSENT OF COMPAL ELECTRONICS, INC.				HW PIR 3 Document Number LA-5952P Date: Wednesday, July 21, 2010
				Rev 0.1
				Sheet 32 of 33

Item	Fixed Issue (Reason for change)	PAGE	Modify List	Date	Phase
85	Cost down	7	R238 & R239 change to 0402 part	2010/05/26	PVT
86	Toshiba eMMC vendor suggest	12	Add reset Pin to reset eMMC.	2010/05/27	PVT
87	Toshiba eMMC vendor suggest	12	Signal Pin can't connect to NC Pin for eMMC 4.4 interface.	2010/05/27	PVT
88	Add +3VS_S3 to eMMC	12	Add +3VS_S3 to eMMC for current support back up solution	2010/05/27	PVT
89	Audio reset Pin	17	Add level shift circuit to reset Pin for Audio reset.	2010/05/27	PVT
90	eMMC clock overshoot and undershoot issue	12	Change R100 to 63.4 ohm	2010/05/27	PVT
91	Power consumption	19	Reserve R1322 for +3VL PWR to KBC ROM.	2010/06/04	Pre-MP
92	Toshiba suggest	17	Reserve 0 ohm resister on HP_OUT_L / R	2010/06/04	Pre-MP
93	EMI issue	17	Change D19 to SCA00001A00	2010/06/04	Pre-MP
94	3G W_DISABLE# issue	15	Change C189 to 0 ohm	2010/06/04	Pre-MP
95	eMMC cold boot hang issue	12	Change PWR to +3VS_S3 (remove R93, install R1313)for eMMC cold boot issue (Pre-MP 7/8)	2010/07/08	Pre-MP
96	Audio "bo" noise when system trun off on battery mode.	17	Remove Q9, add C310(0.47uF)	2010/07/08	Pre-MP
97	ESD issue	7	Change R50 to SM01000D100	2010/07/08	Pre-MP
98	Mini USB change to client only.	8	Add R1303 and remove D1,D2,R1317,C311 ,change L23 to 0 ohm	2010/07/08	Pre-MP
99	power LED flash one time while unplug/plug AC	20	Add R230 and connect to 3V/5V PGOOD to discharge LED power.	2010/07/08	Pre-MP
100	AC in event LED flash issue	19	Add C312 on EVENT_LED_Q.	2010/07/08	Pre-MP
101	LED lightness issue	20	Change R276 to 470 ohm for LED lightness issue	2010/07/08	Pre-MP
102	RF issue	21	Change R121 · R122 to SM01000ER00	2010/07/15	Pre-MP
103	RoHS issue	21	Change R1253 to SM01000ER01	2010/07/15	Pre-MP