

COMPAL CONFIDENTIAL

MODEL NAME : **NAW20**

PCB NO : **LS-5671P**

Revision : **0.2**

NAW20 CULV 14

Compal Confidential

Schematic Document

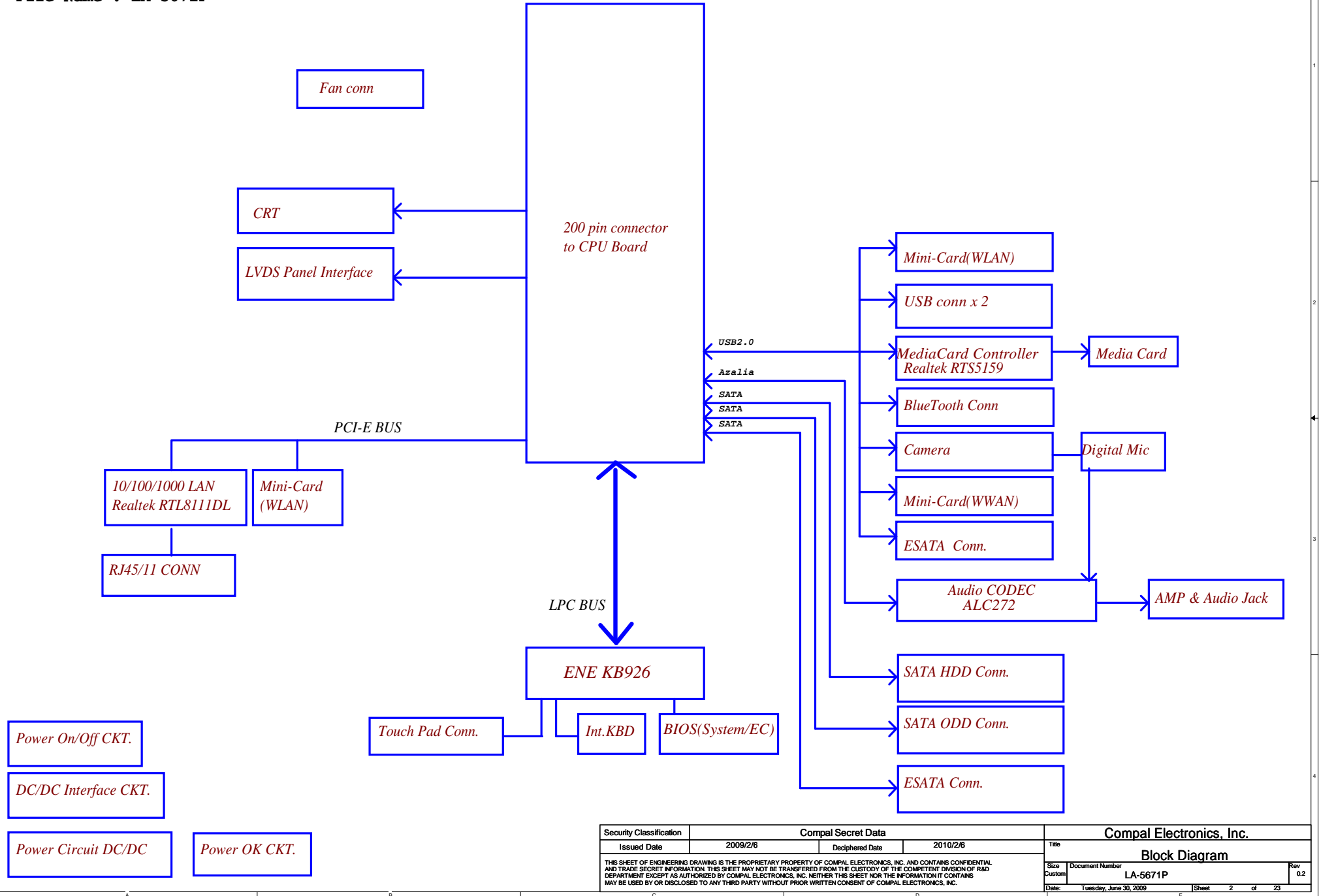
Cantiga GS + ICH9M-SFF

2009 / 6 / 25

Rev: 0.2

Security Classification	Compal Secret Data		Compal Electronics, Inc.		
Issued Date	2009/2/6	Deciphered Date	2010/2/6		
THIS SHEET OF ENGINEERING DRAWING IS THE PROPRIETARY PROPERTY OF COMPAL ELECTRONICS, INC. AND CONTAINS CONFIDENTIAL AND TRADE SECRET INFORMATION. THIS SHEET MAY NOT BE TRANSFERRED FROM THE CUSTODY OF THE COMPETENT DIVISION OF R&D DEPARTMENT EXCEPT AS AUTHORIZED BY COMPAL ELECTRONICS, INC. NEITHER THIS SHEET NOR THE INFORMATION IT CONTAINS MAY BE USED BY OR DISCLOSED TO ANY THIRD PARTY WITHOUT PRIOR WRITTEN CONSENT OF COMPAL ELECTRONICS, INC.			Title	Cover Page	
Size	Custom	Document Number	LA-5671P	Rev	0.2
Date:	Wednesday, July 01, 2009		Sheet	1	of 23

CULV 14



Security Classification	Compal Secret Data			Compal Electronics, Inc.		
Issued Date	2009/2/6	Deciphered Date	2010/2/6	Title	Block Diagram	
THIS SHEET OF ENGINEERING DRAWING IS THE PROPRIETARY PROPERTY OF COMPAL ELECTRONICS, INC. AND CONTAINS CONFIDENTIAL AND TRADE SECRET INFORMATION. THIS SHEET MAY NOT BE TRANSFERRED FROM THE CUSTODY OF THE COMPETENT DIVISION OF R&D DEPARTMENT EXCEPT AS AUTHORIZED BY COMPAL ELECTRONICS, INC. NEITHER THIS SHEET NOR THE INFORMATION IT CONTAINS MAY BE USED BY OR DISCLOSED TO ANY THIRD PARTY WITHOUT PRIOR WRITTEN CONSENT OF COMPAL ELECTRONICS, INC.				Size	Document Number	Rev
Custom	LA-5671P	0.2	Date:	Tuesday, June 30, 2009	Sheet	2 of 23

Voltage Rails ○ MEANS ON X MEANS OFF

power plane State	+B	+5VALW +3VALW	+1.8V	+5VS
				+3VS
				+1.5VS
				+0.9V
				+VCCP
				+CPU_CORE
				+VGA_CORE
				+2.5VS
				+1.8VS
				+1.2VS
				+0.9VGA
s0	○	○	○	○
s1	○	○	○	○
s3	○	○	○	X
s5 S4/AC	○	○	X	X
S5 S4/ Battery only	○	X	X	X
S5 S4/AC & Battery don't exist	X	X	X	X

Symbol Note :

 : means Digital Ground

 : means Analog Ground

@ : means just reserve , no build

DEBUG@ : means just reserve for debug.

SMBUS Control Table

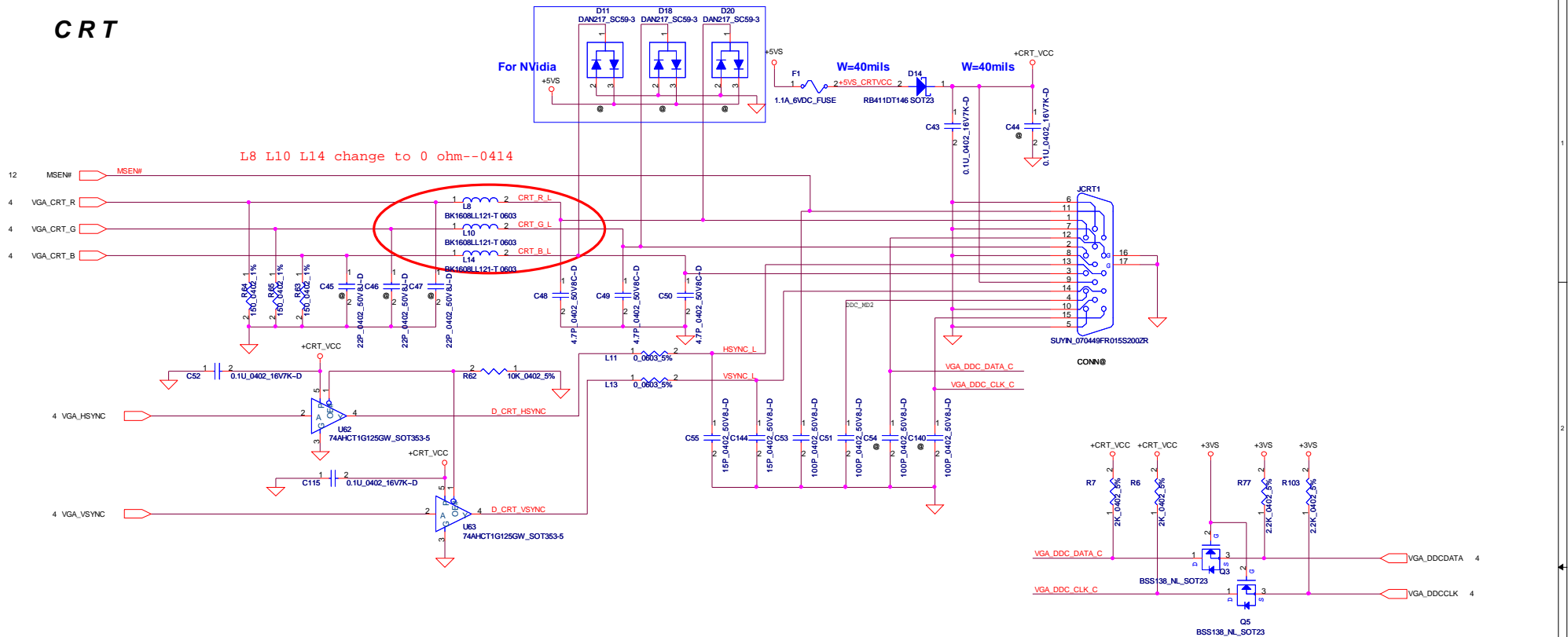
	SOURCE	INVERTER	BATT	SERIAL EEPROM	THERMAL SENSOR (CPU)	SODIMM	CLK CHIP	MINI CARD	LCD
SMB_EC_CLK1 SMB_EC_DA1	KB926	X	V	V	X	X	X	X	X
SMB_EC_CLK2 SMB_EC_DA2	KB926	X	X	X	V	X	X	X	X
SMB_CLK_CLK1 SMB_CLK_DAT1	ICH9	X	X	X	X	V	V	V	X
LCD_CLK LCD_DAT	Cantiga	X	X	X	X	X	X	X	V

I2C / SMBUS ADDRESSING

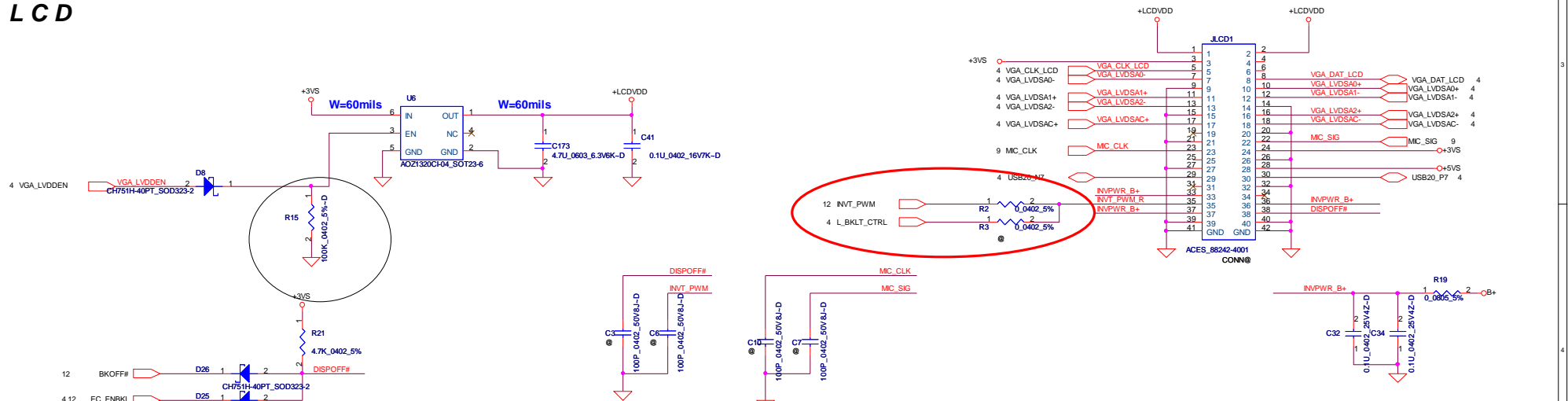
DEVICE	HEX	ADDRESS
DDR SO-DIMM 0	A0	10100000
DDR SO-DIMM 1	A4	10100100
CLOCK GENERATOR (EXT.)	D2	11010010

Security Classification		Compal Secret Data		Compal Electronics, Inc.	
Issued Date	2009/2/6	Deciphered Date	2010/2/6	Title	
<small>THIS SHEET OF ENGINEERING DRAWING IS THE PROPRIETARY PROPERTY OF COMPAL ELECTRONICS, INC. AND CONTAINS CONFIDENTIAL AND TRADE SECRET INFORMATION. THIS SHEET MAY NOT BE TRANSFERRED FROM THE CUSTODY OF THE COMPETENT DIVISION OF R&D DEPARTMENT EXCEPT AS AUTHORIZED BY COMPAL ELECTRONICS, INC. NEITHER THIS SHEET NOR THE INFORMATION IT CONTAINS MAY BE USED BY OR DISCLOSED TO ANY THIRD PARTY WITHOUT PRIOR WRITTEN CONSENT OF COMPAL ELECTRONICS, INC.</small>				Notes List	
				Size Custom	Document Number
Date:		Thursday, June 25, 2009		Sheet	3 of 23

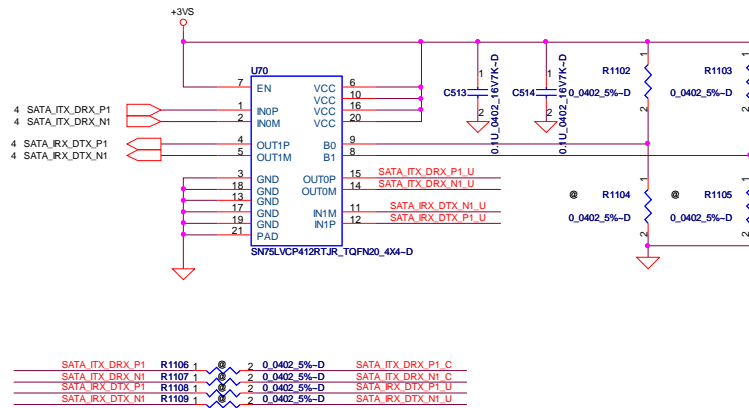
CRT



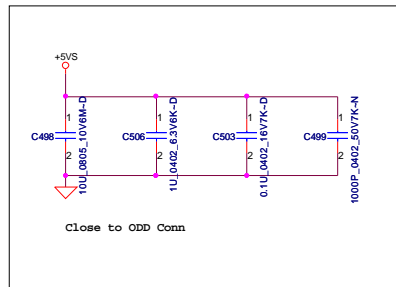
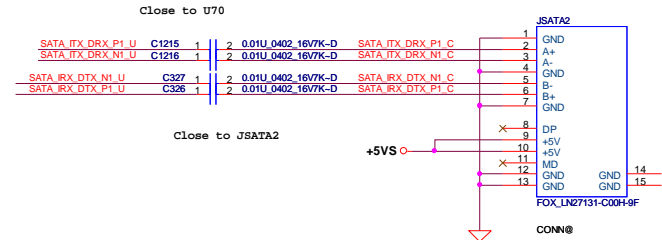
LCD



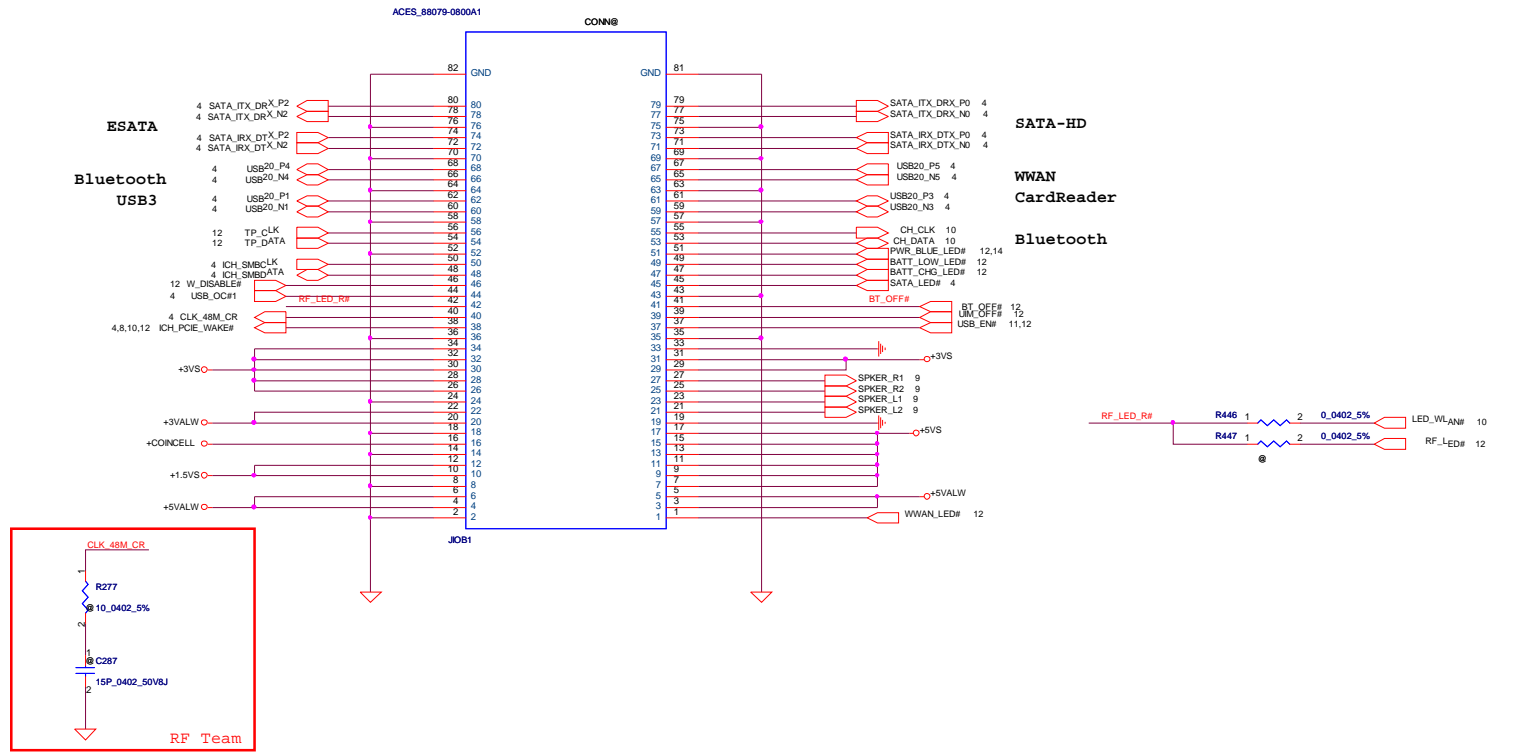
Security Classification		Compal Secret Data		Compal Electronics, Inc.	
Issued Date	2009/2/6	Deciphered Date	2010/2/6	Title	CRT & LCD Conn. (W/ Camera)
THIS SHEET OF ENGINEERING DRAWING IS THE PROPRIETARY PROPERTY OF COMPAL ELECTRONICS, INC. AND CONTAINS CONFIDENTIAL AND TRADE SECRET INFORMATION. THIS SHEET MAY NOT BE TRANSFERRED FROM THE CUSTODY OF THE COMPETENT DIVISION OF R&D DEPARTMENT EXCEPT AS AUTHORIZED BY COMPAL ELECTRONICS, INC. NEITHER THIS SHEET NOR THE INFORMATION IT CONTAINS MAY BE USED BY OR DISCLOSED TO ANY THIRD PARTY WITHOUT PRIOR WRITTEN CONSENT OF COMPAL ELECTRONICS, INC.					
Size	Document Number	LA-5671P		Rev	0.2
Date:	Thursday, June 25, 2009	Sheet	5 of 23		



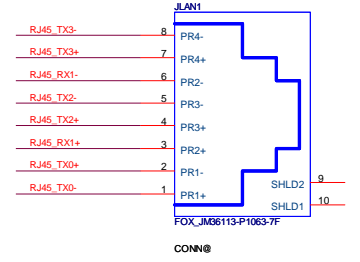
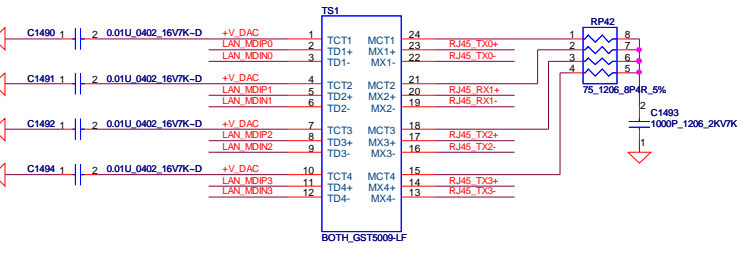
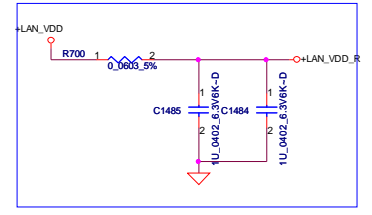
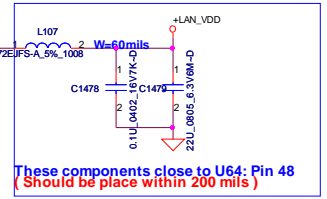
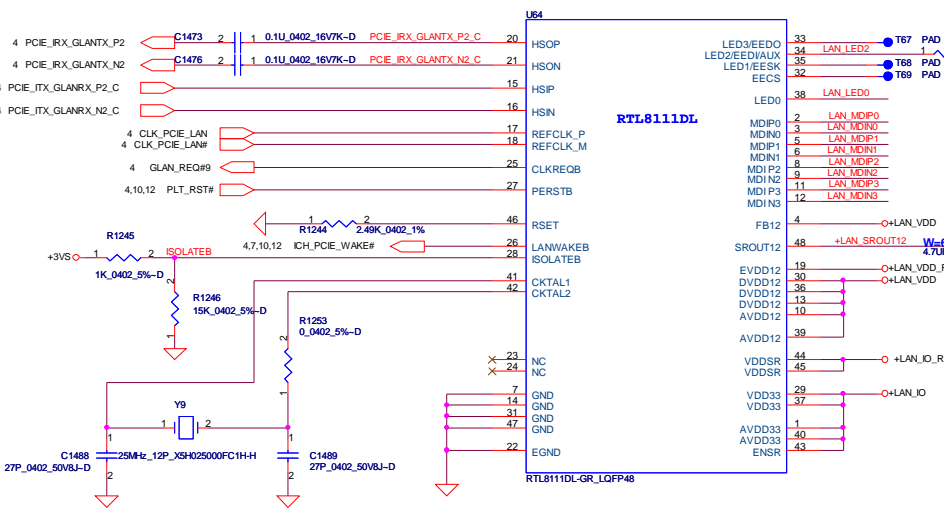
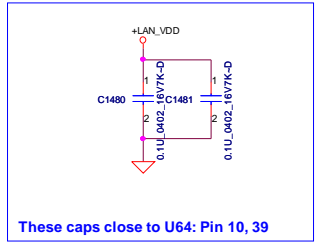
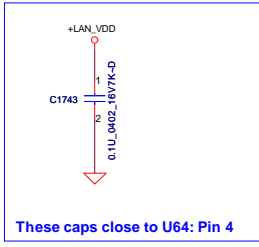
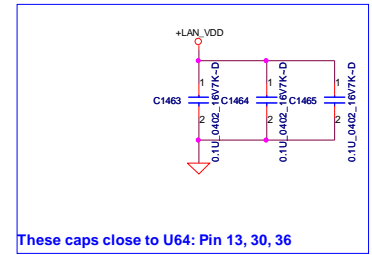
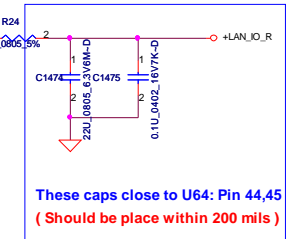
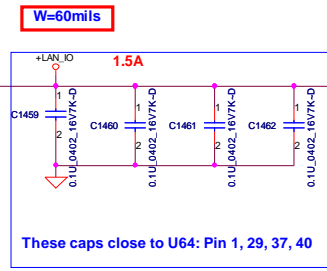
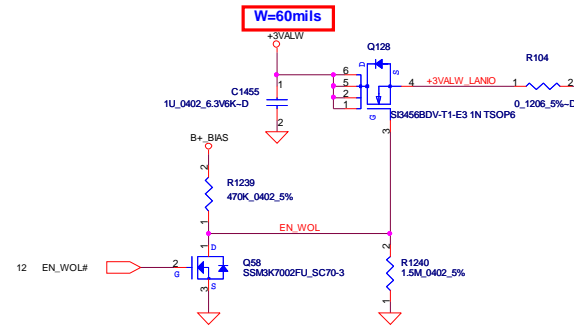
SATA ODD CONN



Security Classification	Compal Secret Data		Compal Electronics, Inc.	
Issued Date	2009/2/6	Deciphered Date	2010/2/6	Title SATA ODD
THIS SHEET OF ENGINEERING DRAWING IS THE PROPRIETARY PROPERTY OF COMPAL ELECTRONICS, INC. AND CONTAINS CONFIDENTIAL AND TRADE SECRET INFORMATION. THIS SHEET MAY NOT BE TRANSFERRED FROM THE CUSTODY OF THE COMPETENT DIVISION OF R&D DEPARTMENT EXCEPT AS AUTHORIZED BY COMPAL ELECTRONICS, INC. NEITHER THIS SHEET NOR THE INFORMATION IT CONTAINS MAY BE USED BY OR DISCLOSED TO ANY THIRD PARTY WITHOUT PRIOR WRITTEN CONSENT OF COMPAL ELECTRONICS, INC.				Size Custom Document Number LA-5671P Rev 0.2
Date:	Wednesday, July 01, 2009	Sheet	6 of 23	

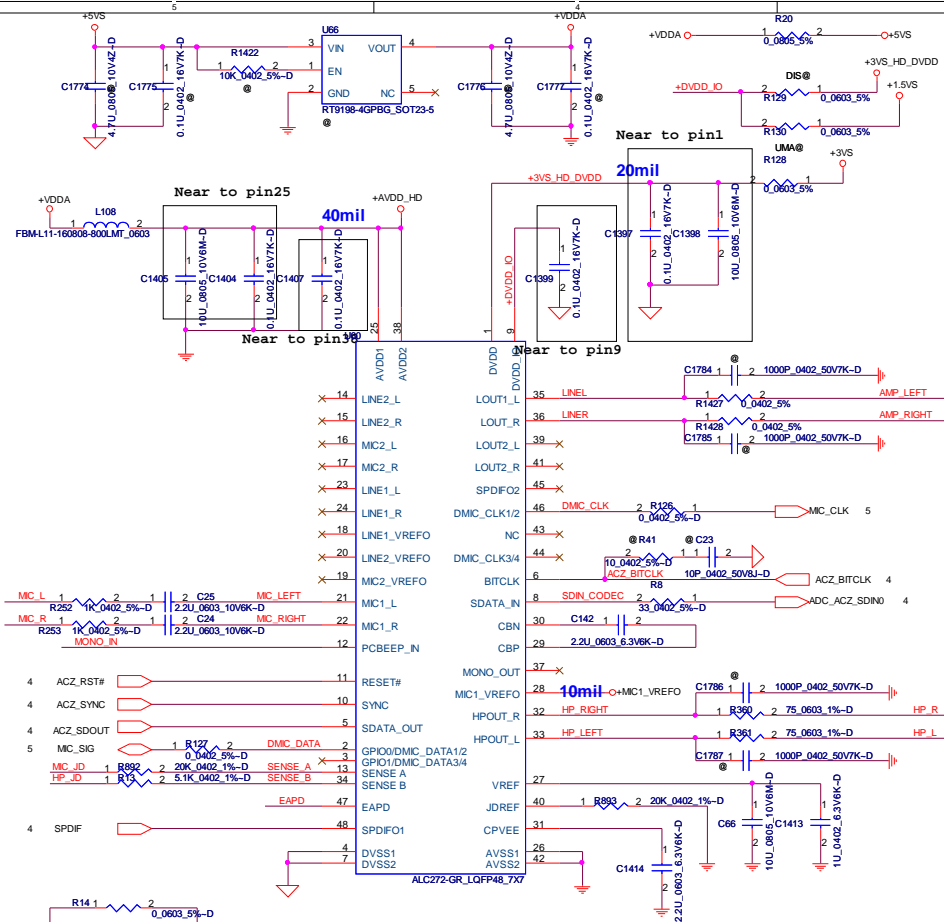
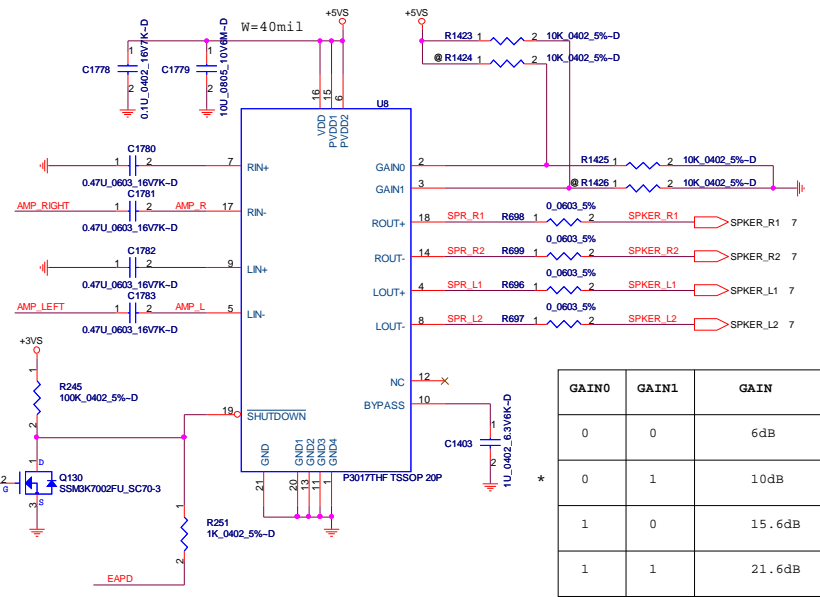


Security Classification	Compal Secret Data		Compal Electronics, Inc.	
Issued Date	2009/2/6	Deciphered Date	2010/2/6	Title
THIS SHEET OF ENGINEERING DRAWING IS THE PROPRIETARY PROPERTY OF COMPAL ELECTRONICS, INC. AND CONTAINS CONFIDENTIAL AND TRADE SECRET INFORMATION. THIS SHEET MAY NOT BE TRANSFERRED FROM THE CUSTODY OF THE COMPETENT DIVISION OF R&D DEPARTMENT EXCEPT AS AUTHORIZED BY COMPAL ELECTRONICS, INC. NEITHER THIS SHEET NOR THE INFORMATION IT CONTAINS MAY BE USED BY OR DISCLOSED TO ANY THIRD PARTY WITHOUT PRIOR WRITTEN CONSENT OF COMPAL ELECTRONICS, INC.				BTB Conn.(Exp/Media/HDD)
Size	Document Number	Rev		
Custom	LA-5671P	0.2		
Date:	Thursday, June 25, 2009	Sheet	7 of 23	

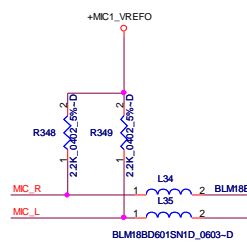


Security Classification	Compal Secret Data		Compal Electronics, Inc.	
Issued Date	2009/2/6	Deciphered Date	2010/2/6	Title
THIS SHEET OF ENGINEERING DRAWING IS THE PROPRIETARY PROPERTY OF COMPAL ELECTRONICS, INC. AND CONTAINS CONFIDENTIAL AND TRADE SECRET INFORMATION. THIS SHEET MAY NOT BE TRANSFERRED FROM THE CUSTODY OF THE COMPETENT DIVISION OF R&D DEPARTMENT EXCEPT AS AUTHORIZED BY COMPAL ELECTRONICS, INC. NEITHER THIS SHEET NOR THE INFORMATION IT CONTAINS MAY BE USED BY OR DISCLOSED TO ANY THIRD PARTY WITHOUT PRIOR WRITTEN CONSENT OF COMPAL ELECTRONICS, INC.				LAN RTL8111DL/ RJ45 Conn.
Size	Document Number	Rev		
Custom	LA-5671P	0.2		
Date:	Thursday, June 25, 2009	Sheet	8	of 23

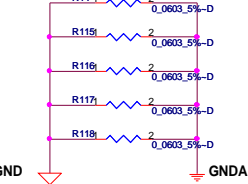
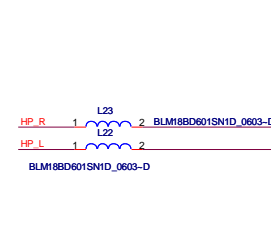
Speaker Amplifier



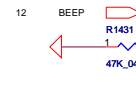
MICROPHONE IN JACK



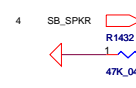
HEADPHONE OUT JACK



EC Beep

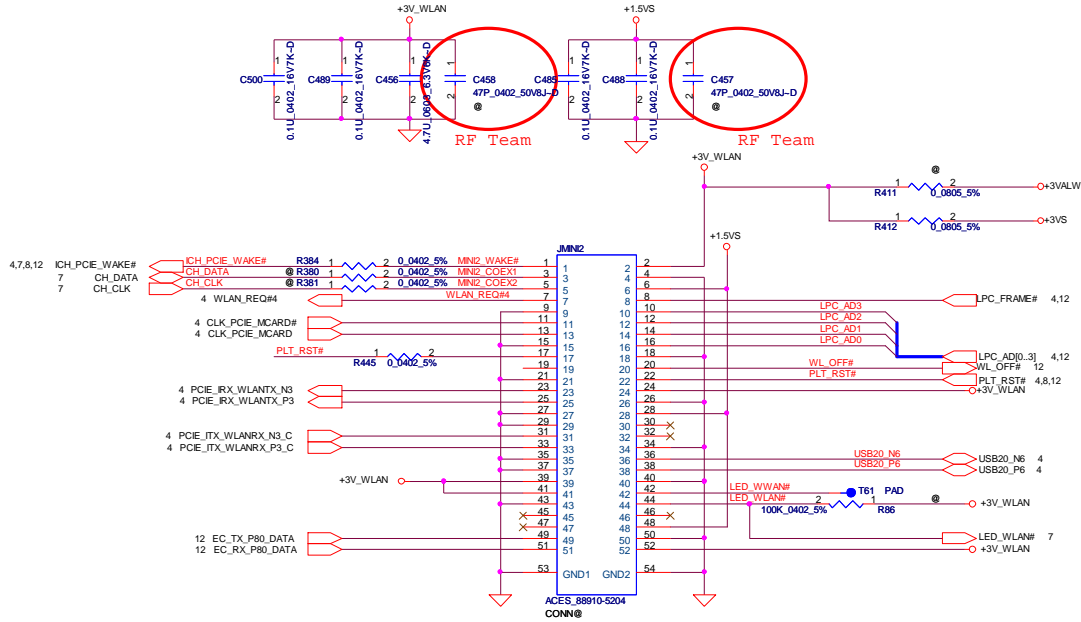


ICH Beep

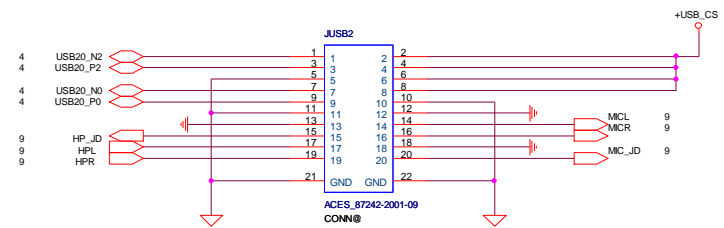
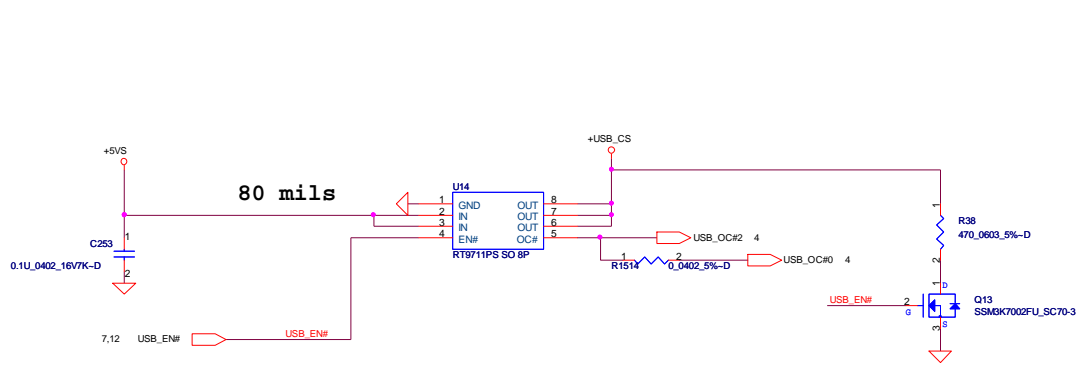


Security Classification	Compal Secret Data		Title	
Issued Date	2009/2/6	Deciphered Date	2010/2/6	Compal Electronics, Inc.
THIS SHEET OF ENGINEERING DRAWING IS THE PROPRIETARY PROPERTY OF COMPAL ELECTRONICS, INC. AND CONTAINS CONFIDENTIAL AND TRADE SECRET INFORMATION. THIS SHEET MAY NOT BE TRANSFERRED FROM THE CUSTODY OF THE COMPETENT DIVISION OF R&D DEPARTMENT EXCEPT AS AUTHORIZED BY COMPAL ELECTRONICS, INC. NEITHER THIS SHEET NOR THE INFORMATION IT CONTAINS MAY BE USED BY OR DISCLOSED TO ANY THIRD PARTY WITHOUT PRIOR WRITTEN CONSENT OF COMPAL ELECTRONICS, INC.				HD Audio Realtek ALC272
Size	Document Number	Date	Sheet	Rev
Custom	LA-5671P	Wednesday, July 01, 2009	9 of 23	0.2

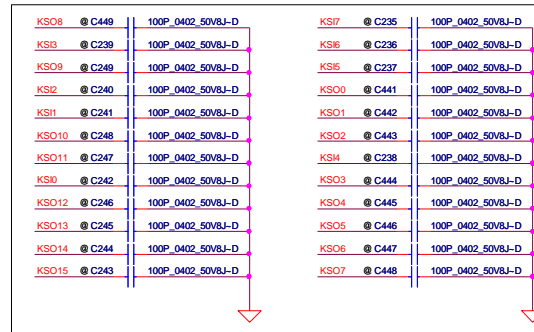
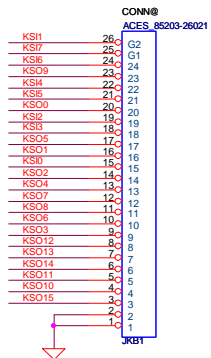
Mini-Express Card---WLAN



Security Classification	Compal Secret Data		Compal Electronics, Inc.	
Issued Date	2009/2/6	Deciphered Date	2010/2/6	
THIS SHEET OF ENGINEERING DRAWING IS THE PROPRIETARY PROPERTY OF COMPAL ELECTRONICS, INC. AND CONTAINS CONFIDENTIAL AND TRADE SECRET INFORMATION. THIS SHEET MAY NOT BE TRANSFERRED FROM THE CUSTODY OF THE COMPETENT DIVISION OF R&D DEPARTMENT EXCEPT AS AUTHORIZED BY COMPAL ELECTRONICS, INC. NEITHER THIS SHEET NOR THE INFORMATION IT CONTAINS MAY BE USED BY OR DISCLOSED TO ANY THIRD PARTY WITHOUT PRIOR WRITTEN CONSENT OF COMPAL ELECTRONICS, INC.			Title	Mini Card/LED/ Express Card
			Size	Document Number
			LA-5671P	0.2
			Date: Thursday, June 25, 2009	Sheet 10 of 23



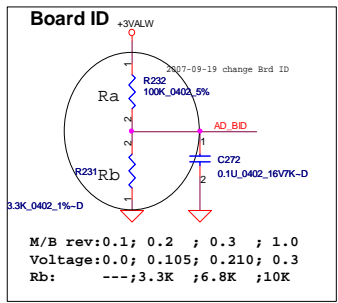
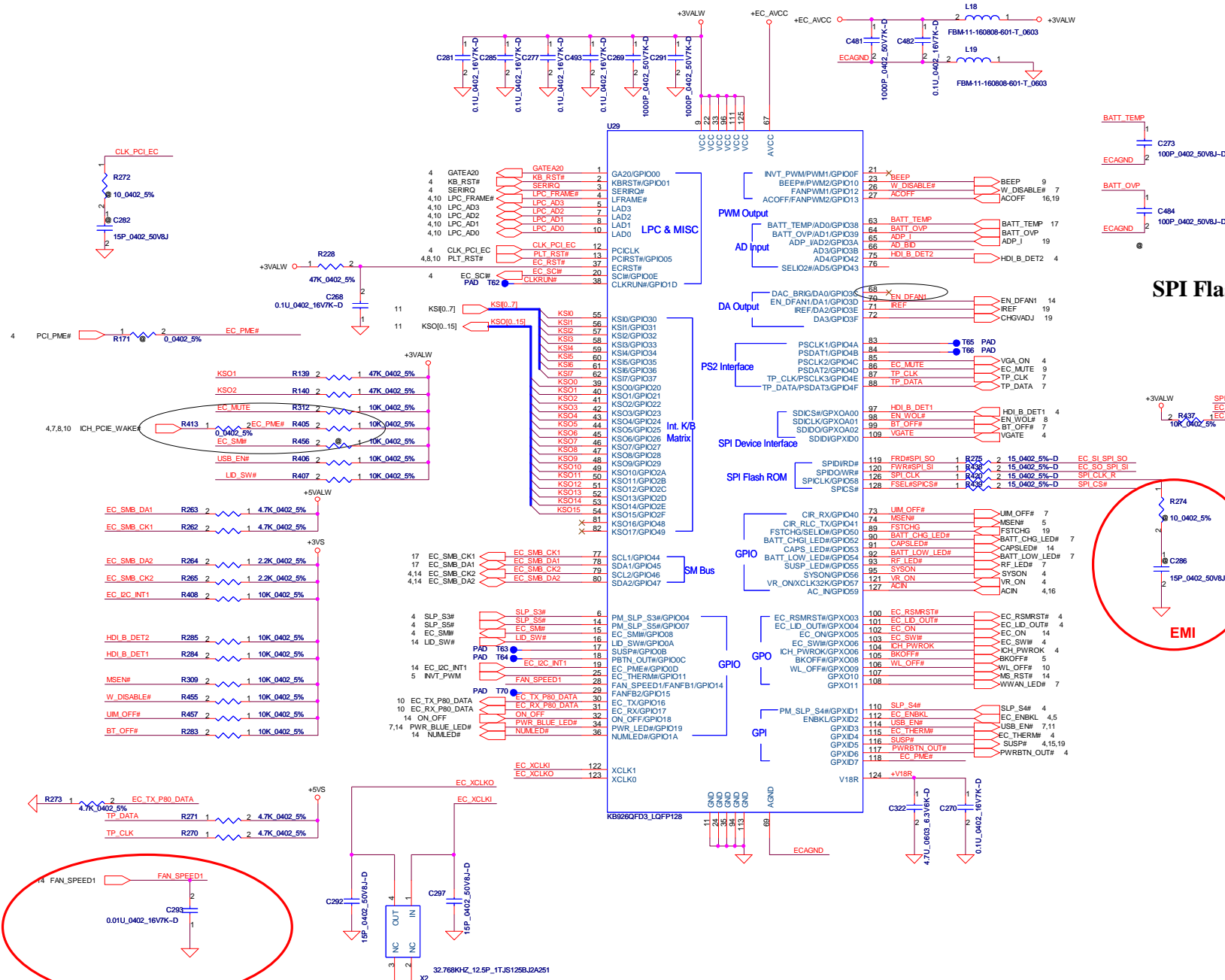
INT_KB_Conn.1



For EMI

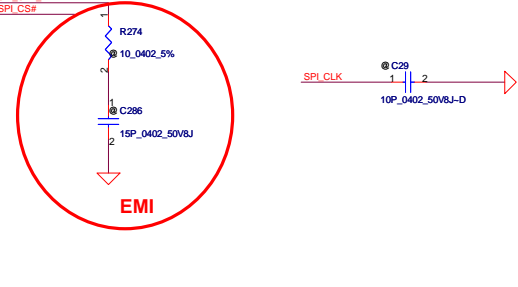
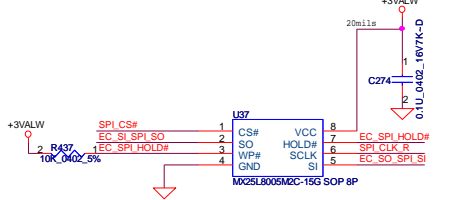


Security Classification		Compal Secret Data		Title	
Issued Date	2009/2/6	Deciphered Date	2010/2/6	Compal Electronics, Inc.	
THIS SHEET OF ENGINEERING DRAWING IS THE PROPRIETARY PROPERTY OF COMPAL ELECTRONICS, INC. AND CONTAINS CONFIDENTIAL AND TRADE SECRET INFORMATION. THIS SHEET MAY NOT BE TRANSFERRED FROM THE CUSTODY OF THE COMPETENT DIVISION OF R&D DEPARTMENT EXCEPT AS AUTHORIZED BY COMPAL ELECTRONICS, INC. NEITHER THIS SHEET NOR THE INFORMATION IT CONTAINS MAY BE USED BY OR DISCLOSED TO ANY THIRD PARTY WITHOUT PRIOR WRITTEN CONSENT OF COMPAL ELECTRONICS, INC.				Size	Rev
Custom	Document Number	LA-5671P		0.2	
Date:	Thursday, June 25, 2009	Sheet	11	of	23



M/B rev:0.1; 0.2; 0.3; 1.0
 Voltage:0.0; 0.105; 0.210; 0.3
 Rb: ---; 3.3K; 6.8K; 10K

SPI Flash (16Mb*1)

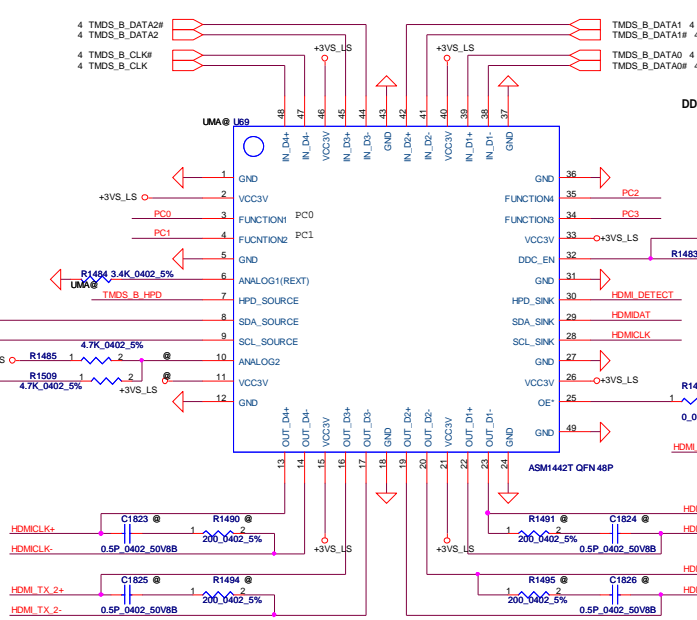
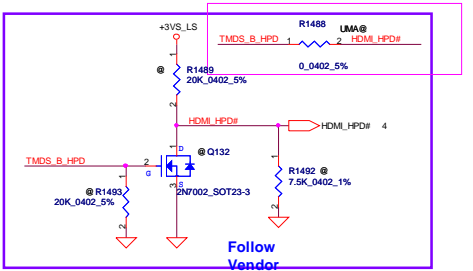
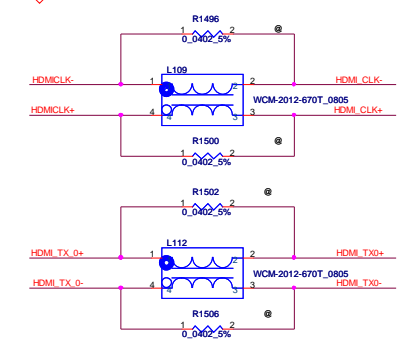
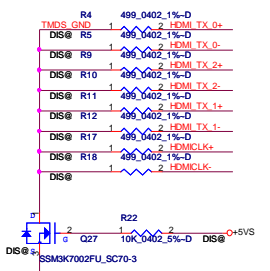
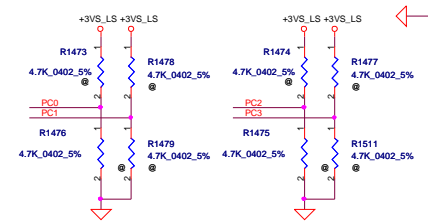


Security Classification		Compal Secret Data		Title	
Issued Date	2009/2/6	Deciphered Date	2010/2/6	Compal Electronics, Inc.	
THIS SHEET OF ENGINEERING DRAWING IS THE PROPRIETARY PROPERTY OF COMPAL ELECTRONICS, INC. AND CONTAINS CONFIDENTIAL AND TRADE SECRET INFORMATION. THIS SHEET MAY NOT BE TRANSFERRED FROM THE CUSTODY OF THE COMPETENT DIVISION OF R&D DEPARTMENT EXCEPT AS AUTHORIZED BY COMPAL ELECTRONICS, INC. NEITHER THIS SHEET NOR THE INFORMATION IT CONTAINS MAY BE USED BY OR DISCLOSED TO ANY THIRD PARTY WITHOUT PRIOR WRITTEN CONSENT OF COMPAL ELECTRONICS, INC.				Size	Rev
Customer	Document Number	LA-5671P	02		
Date:	Thursday, June 25, 2009	Sheet	12	of	23

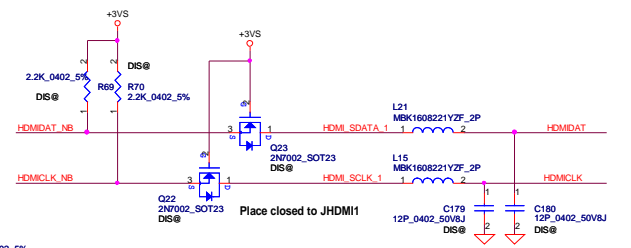
TMDS_B_CLK	C504	1	0.1U_0402_16V7K-D	DIS@
TMDS_B_CLK#	C505	1	0.1U_0402_16V7K-D	DIS@
TMDS_B_DATA0	C507	1	0.1U_0402_16V7K-D	DIS@
TMDS_B_DATA0#	C508	1	0.1U_0402_16V7K-D	DIS@
TMDS_B_DATA1	C509	1	0.1U_0402_16V7K-D	DIS@
TMDS_B_DATA1#	C510	1	0.1U_0402_16V7K-D	DIS@
TMDS_B_DATA2	C511	1	0.1U_0402_16V7K-D	DIS@
TMDS_B_DATA2#	C512	1	0.1U_0402_16V7K-D	DIS@

EQUALIZATION SETTINGS:
 [PC1,PC0]=00,8dB
 [PC1,PC0]=01,4dB (Recommended)
 [PC1,PC0]=10,12dB
 [PC1,PC0]=11,0dB

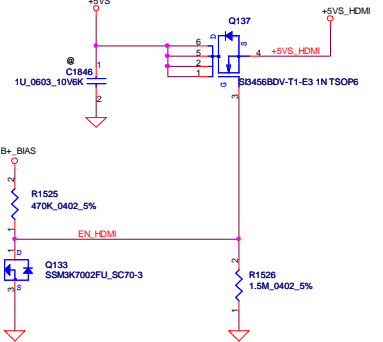
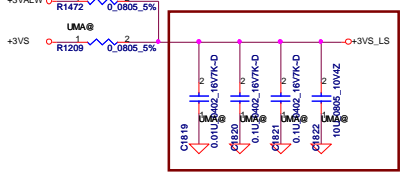
Follow Intel Feedback putting 2.2K ohm



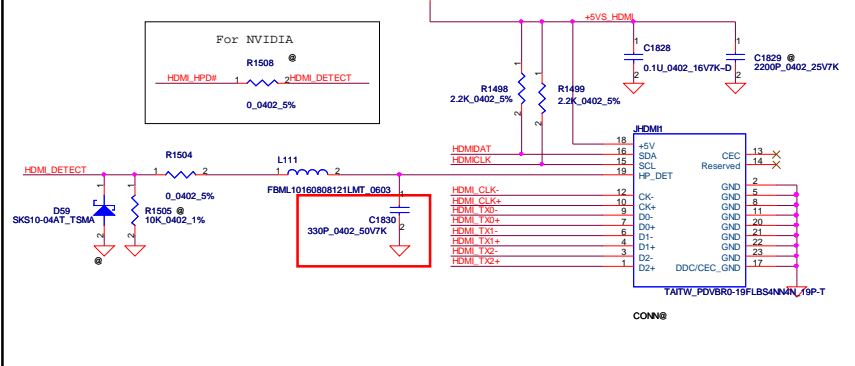
DDC to HDMI CONN



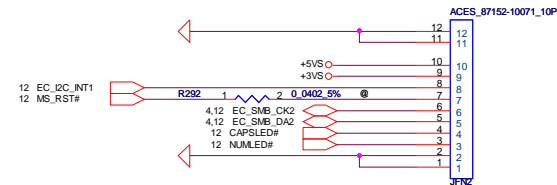
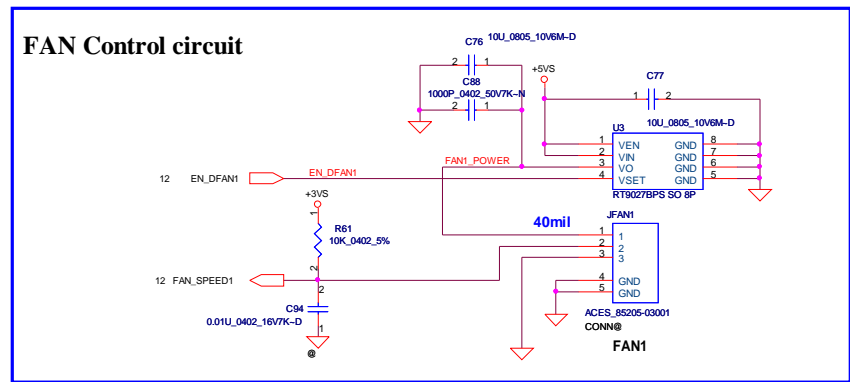
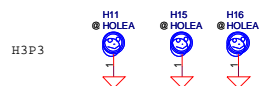
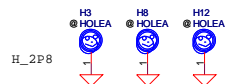
Place closed to JHDMI1



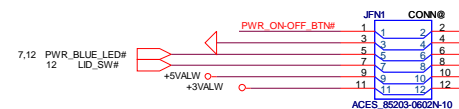
HDMI Connector



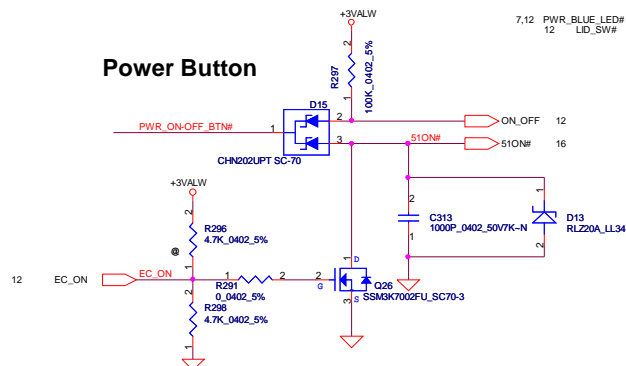
Security Classification	Compal Secret Data		Title	Compal Electronics, Inc.	
Issued Date	2007/08/28	Deciphered Date	2009/11/8	HDMI LS & Conn.	
THIS SHEET OF ENGINEERING DRAWING IS THE PROPRIETARY PROPERTY OF COMPAL ELECTRONICS, INC. AND CONTAINS CONFIDENTIAL AND TRADE SECRET INFORMATION. THIS SHEET MAY NOT BE TRANSFERRED FROM THE CUSTODY OF THE COMPETENT DIVISION OF R&D DEPARTMENT EXCEPT AS AUTHORIZED BY COMPAL ELECTRONICS, INC. NEITHER THIS SHEET NOR THE INFORMATION IT CONTAINS MAY BE USED BY OR DISCLOSED TO ANY THIRD PARTY WITHOUT PRIOR WRITTEN CONSENT OF COMPAL ELECTRONICS, INC.					
Size	Document Number	Rev			
Customer	LA-5671P	0.2			
Date:	Wednesday, July 01, 2009	Sheet	13	of 23	



Power/B CONN.

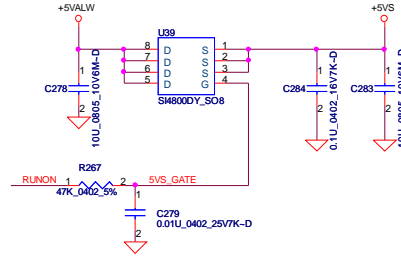


Power Button

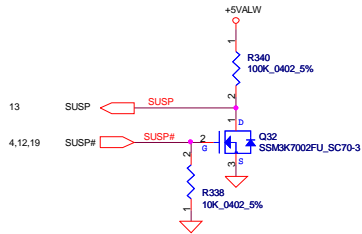
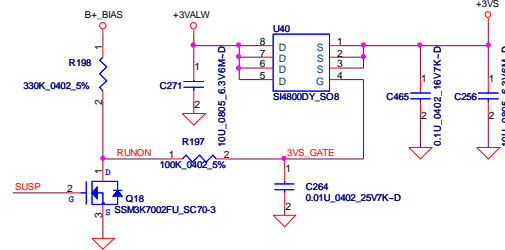


Security Classification	Compal Secret Data		Compal Electronics, Inc.	
Issued Date	2009/2/6	Deciphered Date	2010/2/6	Title
THIS SHEET OF ENGINEERING DRAWING IS THE PROPRIETARY PROPERTY OF COMPAL ELECTRONICS, INC. AND CONTAINS CONFIDENTIAL AND TRADE SECRET INFORMATION. THIS SHEET MAY NOT BE TRANSFERRED FROM THE CUSTODY OF THE COMPETENT DIVISION OF R&D DEPARTMENT EXCEPT AS AUTHORIZED BY COMPAL ELECTRONICS, INC. NEITHER THIS SHEET NOR THE INFORMATION IT CONTAINS MAY BE USED BY OR DISCLOSED TO ANY THIRD PARTY WITHOUT PRIOR WRITTEN CONSENT OF COMPAL ELECTRONICS, INC.				PWR_OK/ BTN/ Screws Size Custom Document Number LA-5671P Date: Thursday, June 25, 2009
				Rev 0.2
				Sheet 14 of 23

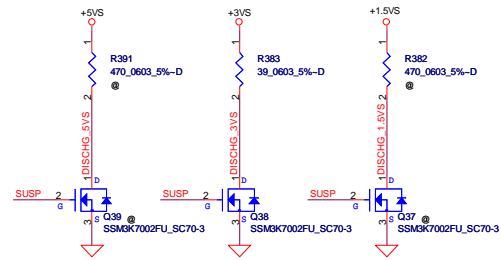
+5VALW to +5VS Transfer



+3VALW to +3VS Transfer

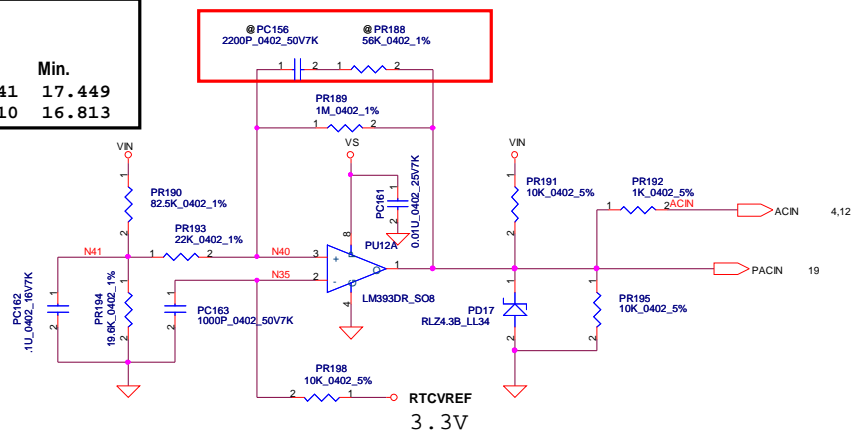
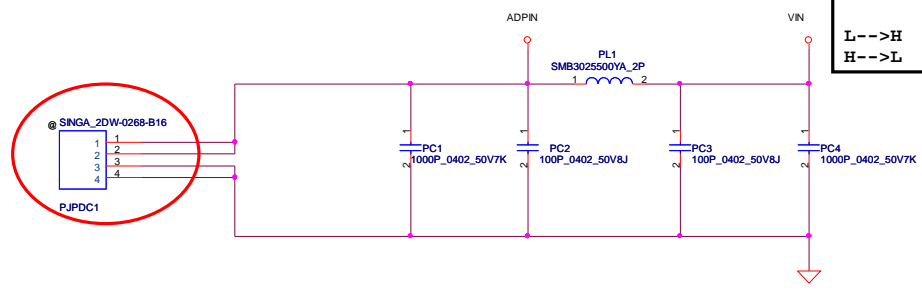


Discharge circuit



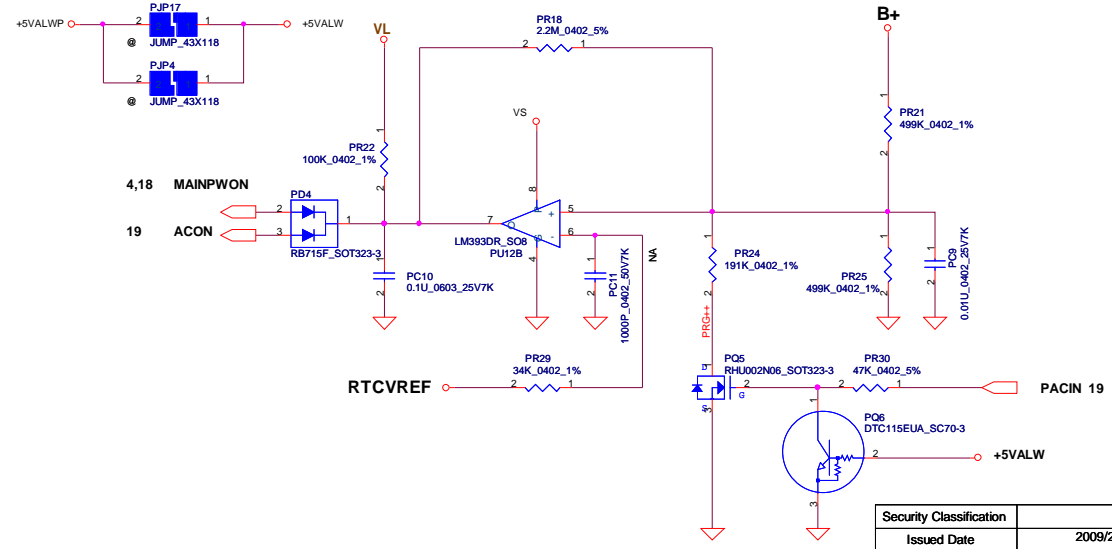
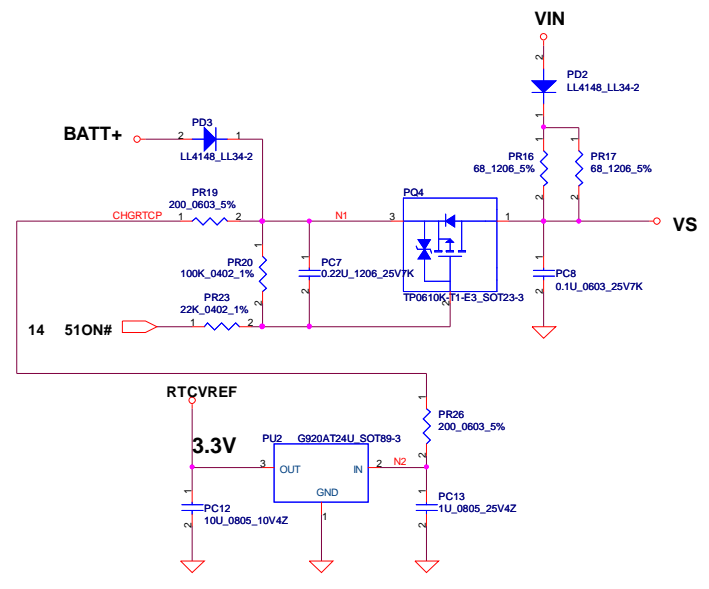
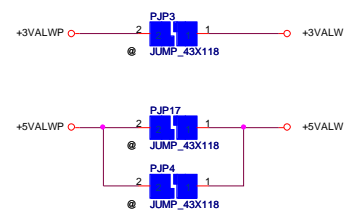
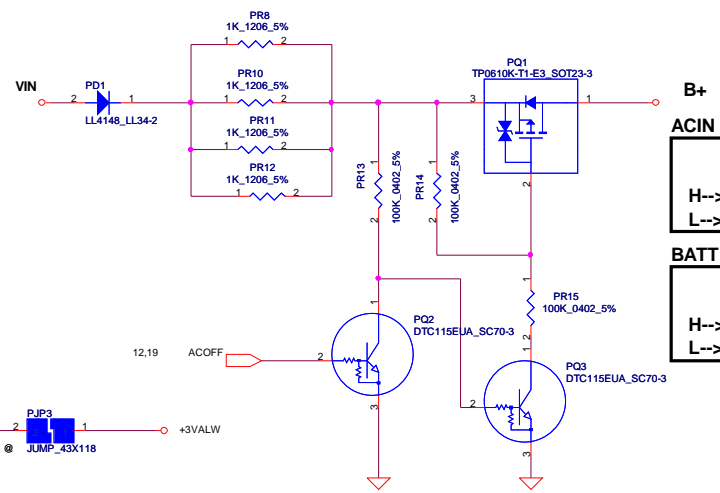
Security Classification	Compal Secret Data		Compal Electronics, Inc.	
Issued Date	2009/2/6	Deciphered Date	2010/2/6	Title DC/DC Interface
THIS SHEET OF ENGINEERING DRAWING IS THE PROPRIETARY PROPERTY OF COMPAL ELECTRONICS, INC. AND CONTAINS CONFIDENTIAL AND TRADE SECRET INFORMATION. THIS SHEET MAY NOT BE TRANSFERRED FROM THE CUSTODY OF THE COMPETENT DIVISION OF R&D DEPARTMENT EXCEPT AS AUTHORIZED BY COMPAL ELECTRONICS, INC. NEITHER THIS SHEET NOR THE INFORMATION IT CONTAINS MAY BE USED BY OR DISCLOSED TO ANY THIRD PARTY WITHOUT PRIOR WRITTEN CONSENT OF COMPAL ELECTRONICS, INC.				Size Custom
			Document Number LA-5671P	Rev 0.2
			Date: Thursday, June 25, 2009	Sheet 15 of 23

Vin Detector			
	Max.	typ.	Min.
L-->H	18.234	17.841	17.449
H-->L	17.597	17.210	16.813

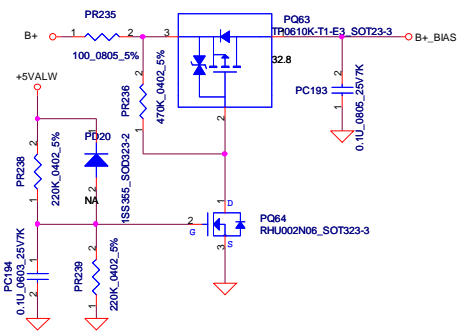
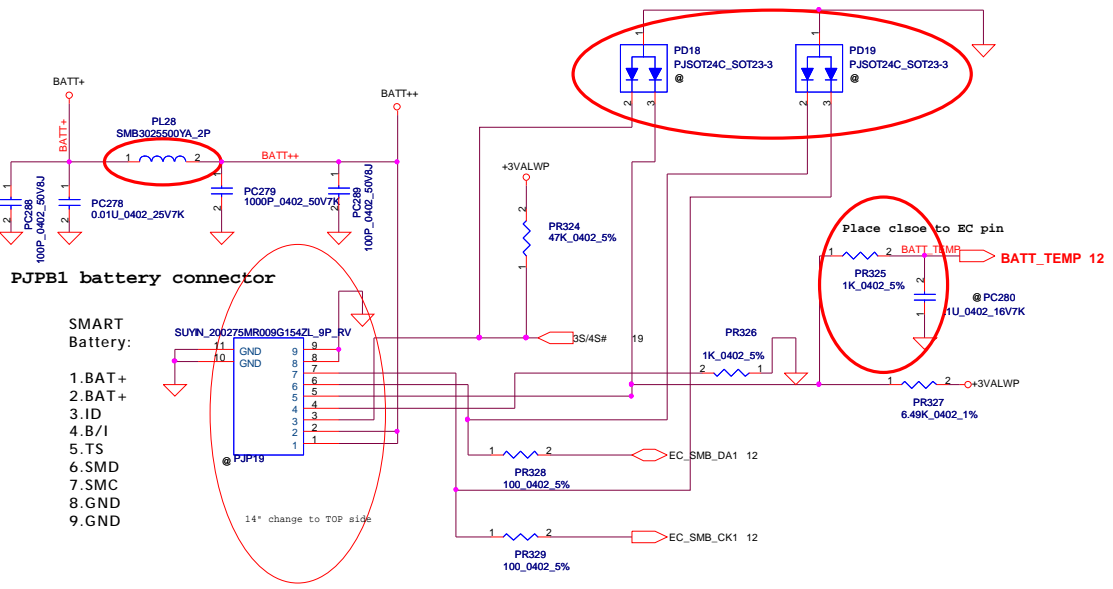


ACIN Precharge detector			
	Min.	typ.	Max.
H-->L	14.589V	14.84V	15.243V
L-->H	15.562V	15.97V	16.388V

BATT ONLY Precharge detector			
	Min.	typ.	Max.
H-->L	6.138V	6.214V	6.359V
L-->H	7.196V	7.349V	7.505V



Security Classification				Compal Secret Data		Title	
Issued Date	2009/2/6	Deciphered Date	2010/2/6	Compal Electronics, Inc.			
THIS SHEET OF ENGINEERING DRAWING IS THE PROPRIETARY PROPERTY OF COMPAL ELECTRONICS, INC. AND CONTAINS CONFIDENTIAL AND TRADE SECRET INFORMATION. THIS SHEET MAY NOT BE TRANSFERRED FROM THE CUSTODY OF THE COMPETENT DIVISION OF R&D DEPARTMENT EXCEPT AS AUTHORIZED BY COMPAL ELECTRONICS, INC. NEITHER THIS SHEET NOR THE INFORMATION IT CONTAINS MAY BE USED BY OR DISCLOSED TO ANY THIRD PARTY WITHOUT PRIOR WRITTEN CONSENT OF COMPAL ELECTRONICS, INC.				Document Number		Rev	
				Custom		LA-5671P	
				Date: Thursday, June 25, 2009		Sheet 16 of 23	

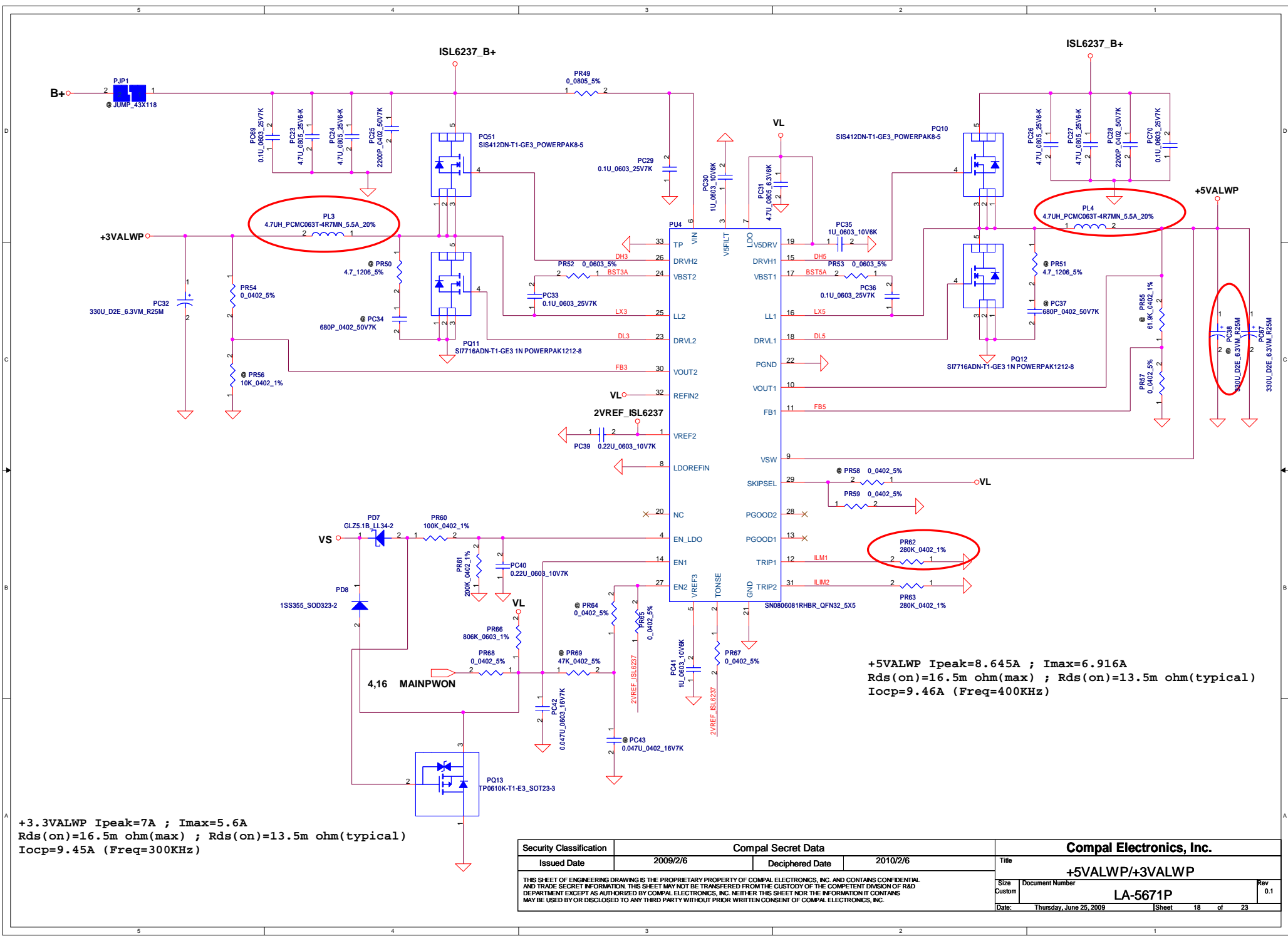


Security Classification	Compal Secret Data		Title	
Issued Date	2009/2/6	Deciphered Date	2010/2/6	
THIS SHEET OF ENGINEERING DRAWING IS THE PROPRIETARY PROPERTY OF COMPAL ELECTRONICS, INC. AND CONTAINS CONFIDENTIAL AND TRADE SECRET INFORMATION. THIS SHEET MAY NOT BE TRANSFERRED FROM THE CUSTODY OF THE COMPETENT DIVISION OF R&D DEPARTMENT EXCEPT AS AUTHORIZED BY COMPAL ELECTRONICS, INC. NEITHER THIS SHEET NOR THE INFORMATION IT CONTAINS MAY BE USED BY OR DISCLOSED TO ANY THIRD PARTY WITHOUT PRIOR WRITTEN CONSENT OF COMPAL ELECTRONICS, INC.			Size	Rev
			Document Number	0.1
			LA-5671P	
			Date: Thursday, June 25, 2009	Sheet 17 of 23

Compal Electronics, Inc.

BATTERY CONN

LA-5671P



+3.3VALWP Ipeak=7A ; Imax=5.6A
 Rds(on)=16.5m ohm(max) ; Rds(on)=13.5m ohm(typical)
 Iocp=9.45A (Freq=300KHz)

+5VALWP Ipeak=8.645A ; Imax=6.916A
 Rds(on)=16.5m ohm(max) ; Rds(on)=13.5m ohm(typical)
 Iocp=9.46A (Freq=400KHz)

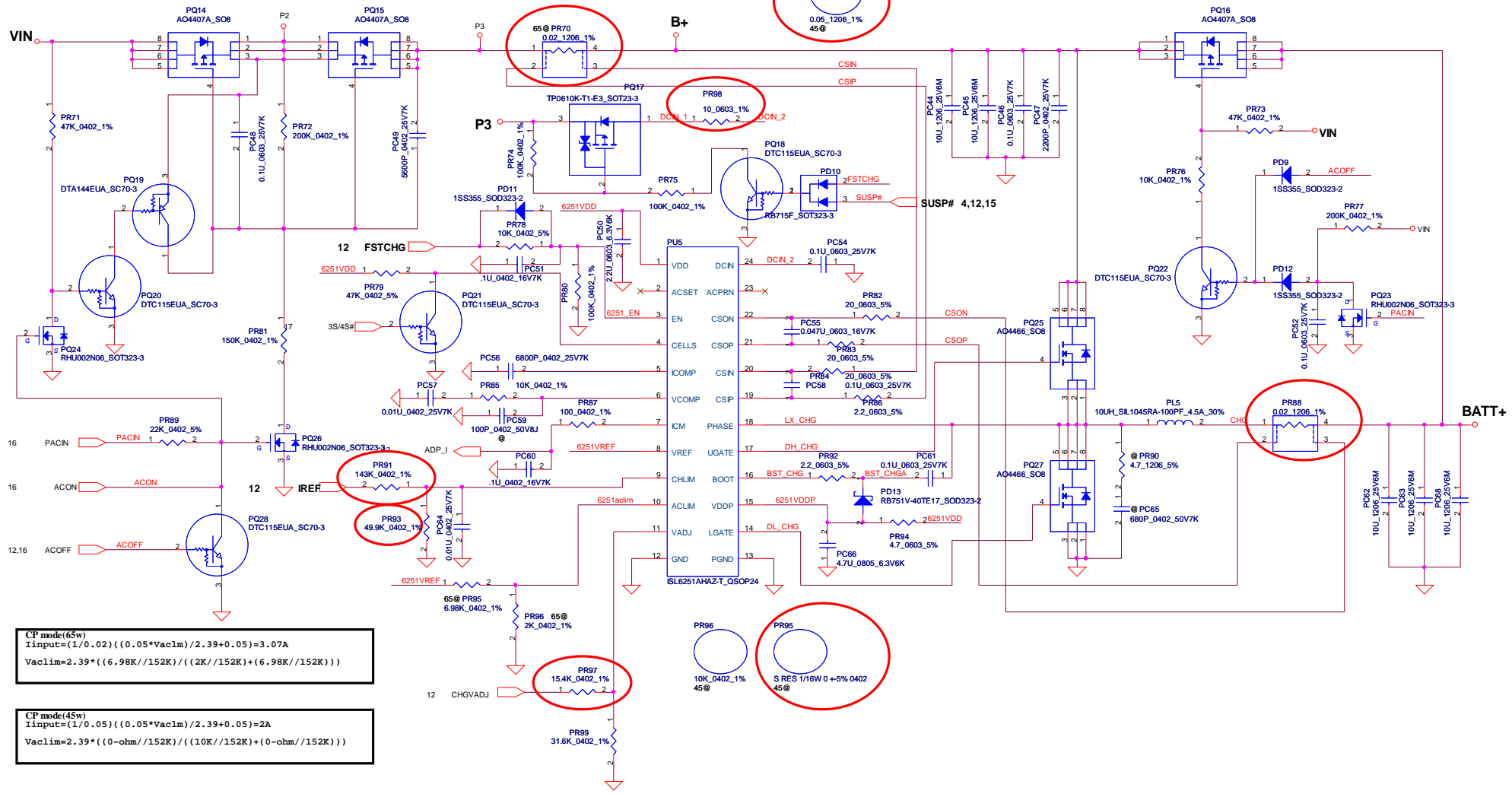
Security Classification		Compal Secret Data		Compal Electronics, Inc.	
Issued Date	2009/2/6	Deciphered Date	2010/2/6	Title	
				+5VALWP/+3VALWP	
THIS SHEET OF ENGINEERING DRAWING IS THE PROPRIETARY PROPERTY OF COMPAL ELECTRONICS, INC. AND CONTAINS CONFIDENTIAL AND TRADE SECRET INFORMATION. THIS SHEET MAY NOT BE TRANSFERRED FROM THE CUSTODY OF THE COMPETENT DIVISION OF R&D DEPARTMENT EXCEPT AS AUTHORIZED BY COMPAL ELECTRONICS, INC. NEITHER THIS SHEET NOR THE INFORMATION IT CONTAINS MAY BE USED BY OR DISCLOSED TO ANY THIRD PARTY WITHOUT PRIOR WRITTEN CONSENT OF COMPAL ELECTRONICS, INC.		Size Custom	Document Number	Rev	
		LA-5671P		0.1	
Date: Thursday, June 25, 2009		Sheet	18	of	23

Iada=0~2.37A (45W)
Iada=0~3.42A (65W)

ADP_I = 19.9*Iadapter*Rsense

CP (65W) = 90%*Iada ; CP = 3.07A

CP (45W) = 85%*Iada ; CP = 2A



CP mode (65w)
Iinput=(1/0.02)((0.05*Vaclm)/2.39+0.05)=3.07A
Vaclm=2.39*((6.98K//152K)/((2K//152K)+(6.98K//152K)))

CP mode (45w)
Iinput=(1/0.05)((0.05*Vaclm)/2.39+0.05)=2A
Vaclm=2.39*((0-ohm//152K)/((10K//152K)+(0-ohm//152K)))

CC=0.5~2.1A
IREF=1.548*Icharge
IREF=0.774V~3.25V

CHGVADJ	CV mode
0V	4V per cell
1.882V	4.2V per cell
3.294V	4.35V per cell

Item	Fixed Issue	Reason for change	Rev.	PG#	Modify List	Date	Phase
1		Move OTP circuit to CPU Board			Delete PU23、PD21、PQ65、PR354、PR355、PR356 PR357、PR358、PR359 Delete PC290、PC291、PC292	06/19	
2		Delete Battery OVP circuit for cost down			Delete PR330、PR332、PR353、PR337 Delete PC285、PC282	06/19	
3		Material shortage			Change PC193 from SE043104M80 to SE043104K80	06/19	
4		For common design			Add PR98-->10_0603_1%(SD014100A80) Change PR97 from 18.2k-ohm to 15.4k-ohm	06/19	
5		Change current sensing resistor size			Change PR70、PR88 size from 2512 to 1206	06/19	
6		Cost down			Change PL5 from SH000005Z80 to SH000002L80	06/19	
7		Modify CP point for 45W adaptor			Change PR95 from 1.18k-ohm to 0-ohm	06/19	
8		Modify CC point			Change PR91 from 150k-ohm to 28.7k-ohm Change PR93 from 100k-ohm to 10k-ohm	06/19	
9							
10							
11							
12							
13							
14							
15							
16							

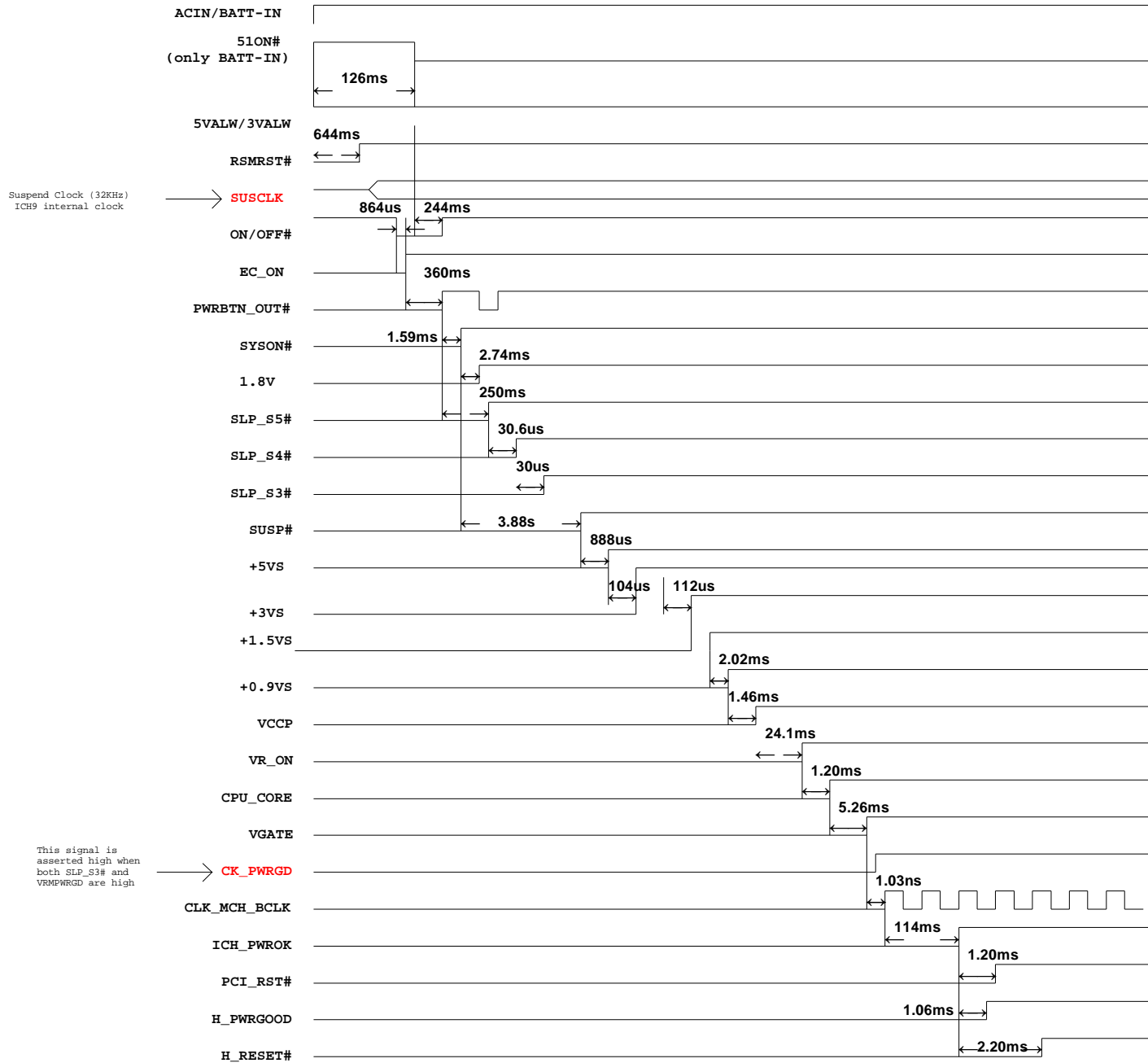
THIS SHEET OF ENGINEERING DRAWING IS THE PROPRIETARY PROPERTY OF COMPAL ELECTRONICS, INC. AND CONTAINS CONFIDENTIAL AND TRADE SECRET INFORMATION. THIS SHEET MAY NOT BE TRANSFERRED FROM THE CUSTODY OF THE COMPETENT DIVISION OF R&D DEPARTMENT EXCEPT AS AUTHORIZED BY COMPAL ELECTRONICS, INC. NEITHER THIS SHEET NOR THE INFORMATION IT CONTAINS MAY BE USED BY OR DISCLOSED TO ANY THIRD PARTY WITHOUT PRIOR WRITTEN CONSENT OF COMPAL ELECTRONICS, INC.

Compal Electronics, Inc.		
Title		
PWR-PIR		
Size	Document Number	Rev
	LA-5442P	0.1
Date:	Thursday, June 25, 2009	Sheet 20 of 23

Version change list (P.I.R. List)

Item	Fixed Issue	Reason for change	Rev.	PG#	Modify List
1		ADD LID Function to Power Board	0.2		JFN1 Change 8pin to 12pin
2		Move OTP to CPU Board	0.2		JCPUB1 Pin 23 change MAINPWON
3		Change HDMI function	0.2		Change R69,R70 to HDMIDAT_NB,HDMICLK_NB
4		Change to IO2 Board	0.2		Del JSPK1,D12,D17
5		Change LID Function to Power Board	0.2		Modify JIOB1 Pin43
6		Change SPK to IO2 Board	0.2		Modify JIOB1 Pin21,23,25,27
7		ADD SATA Signal redriver	0.2		ADD U70,C513,C514,R1102-R1109
8		ADD WLAN LED Contral	0.2		ADD R446,R447
9					
10					
11					
12					
13					
14					
15					
16					
17					
18					
19					
20					
21					
22					
23					
24					
25					
26					

Security Classification		Compal Secret Data		Compal Electronics, Inc.	
Issued Date	2009/2/6	Deciphered Date	2010/2/6	Title	HW_PIR
THIS SHEET OF ENGINEERING DRAWING IS THE PROPRIETARY PROPERTY OF COMPAL ELECTRONICS, INC. AND CONTAINS CONFIDENTIAL AND TRADE SECRET INFORMATION. THIS SHEET MAY NOT BE TRANSFERRED FROM THE CUSTODY OF THE COMPETENT DIVISION OF R&D DEPARTMENT EXCEPT AS AUTHORIZED BY COMPAL ELECTRONICS, INC. NEITHER THIS SHEET NOR THE INFORMATION IT CONTAINS MAY BE USED BY OR DISCLOSED TO ANY THIRD PARTY WITHOUT PRIOR WRITTEN CONSENT OF COMPAL ELECTRONICS, INC.				Size	Document Number
				Custom	LA-5671P
Date:	Wednesday, July 01, 2009	Sheet	21	of	23



Security Classification	Compal Secret Data		Compal Electronics, Inc.	
Issued Date	2009/2/6	Deciphered Date	2010/2/6	
<small>THIS SHEET OF ENGINEERING DRAWING IS THE PROPRIETARY PROPERTY OF COMPAL ELECTRONICS, INC. AND CONTAINS CONFIDENTIAL AND TRADE SECRET INFORMATION. THIS SHEET MAY NOT BE TRANSFERRED FROM THE CUSTODY OF THE COMPETENT DIVISION OF R&D DEPARTMENT EXCEPT AS AUTHORIZED BY COMPAL ELECTRONICS, INC. NEITHER THIS SHEET NOR THE INFORMATION IT CONTAINS MAY BE USED BY OR DISCLOSED TO ANY THIRD PARTY WITHOUT PRIOR WRITTEN CONSENT OF COMPAL ELECTRONICS, INC.</small>				
Title	Power Sequence			
Size	Document Number			Rev
Custom	LA-5442P			0.1
Date:	Thursday, June 25, 2009	Sheet	22	of 23

